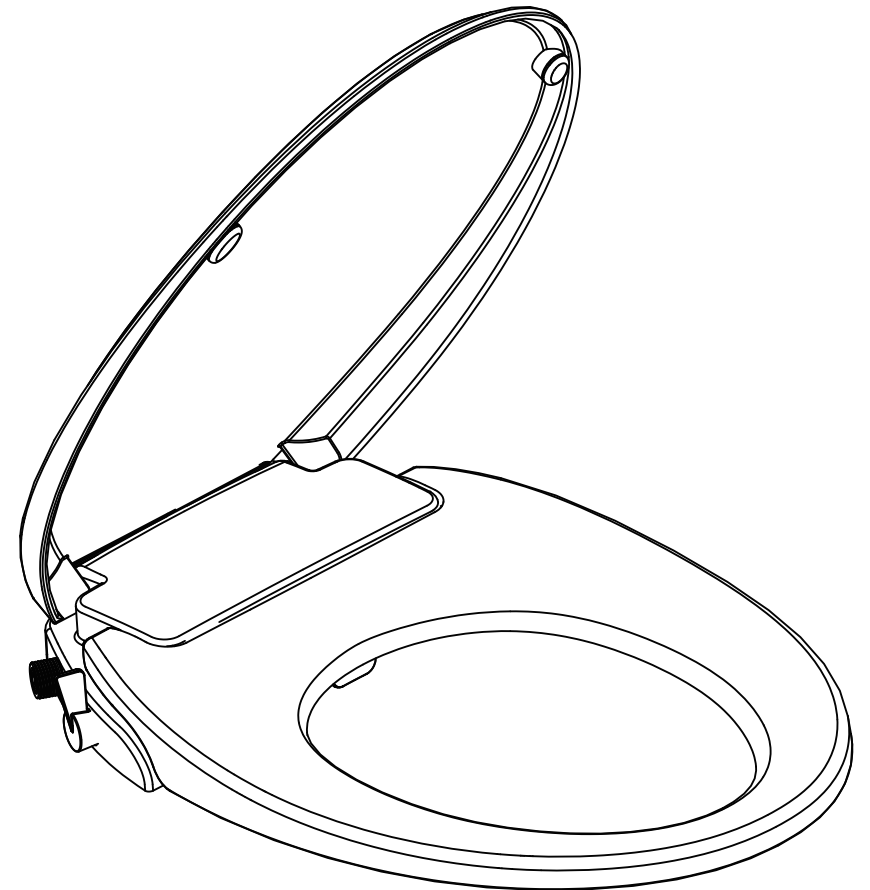


# User Manual

Manual Bidet Seat



# Maintenance

## Product Information:

Product Description-----	2
Product Parts-----	3
Product Size-----	4

## Product Installation:

Installation Notes-----	5
Installation Steps-----	5
Hose Connection-----	6

## Features:

Rear Wash Nozzle-----	7
Front Wash Nozzle-----	7
Self Cleaning Nozzles-----	7
Turn off-----	7

## Maintenance:

Cleaning-----	8
Nozzle Replacement-----	9
Hose Leakage Solution-----	9
Trouble Shooting-----	10
Product Specification-----	10
Service-----	10


Thanks for purchasing this manual bidet seat. Before you use the product, you can learn about the use method of the product from this manual.

Please keep it after reading for future reference.

## Trouble Shooting

Issues	Causes	Measures
Low water flow	Water flow level is in the minimum level	Adjust water flow to the maximum level
	Low water pressure	When the water pressure is lower than 0.05MPa, please contact local department if it still doesn't work
No water come out	The Angle valve is turned off	Turn on the angle valve
	The nozzle is blocked	Remove the nozzle and reclean before use
	The water supply pressure is too low	Increase water supply pressure
There is leakage when using	The water supply pressure is too high	The maximum water pressure of this product is 0.8MPa. If water supply pressure is higher than 0.8MPa, please contact the local department for solution

If there are still faults after the above problems are eliminated, please contact the local service staff.



**Caution** Do not disassemble, repair or remodel the product.

Item	Description
Model	Manual Bidet Seat
Rear Wash water flow	0.6-1.4L/min
Rear wash Water Flow	0.6-1.4L/min
Water supply	Water hose delivery
Water supply pressure	0.05-0.8Mpa
Size	496X363X74mm
Net Weight	2.1kg

## Service

1. Please recheck the manual.
2. If the fault or damage still occurs after using the manual, please stop using and contact the distributor or local service center.

# Maintenance

## Nozzle Replacement

1. Pull out the nozzle softly and hold the tube. Remove the nozzle along the arrow direction as figure 1.
2. Hold the tube and insert the new nozzle along the arrow direction as figure 2. Install the front wash and rear wash nozzles into the correct tube.

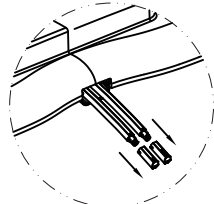
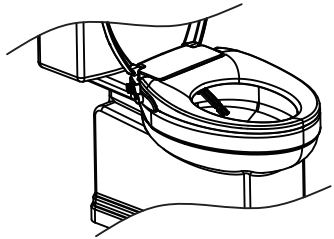


Figure 1

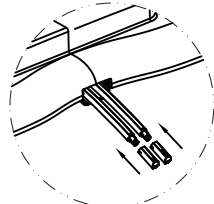
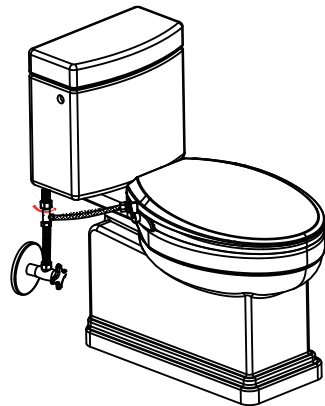


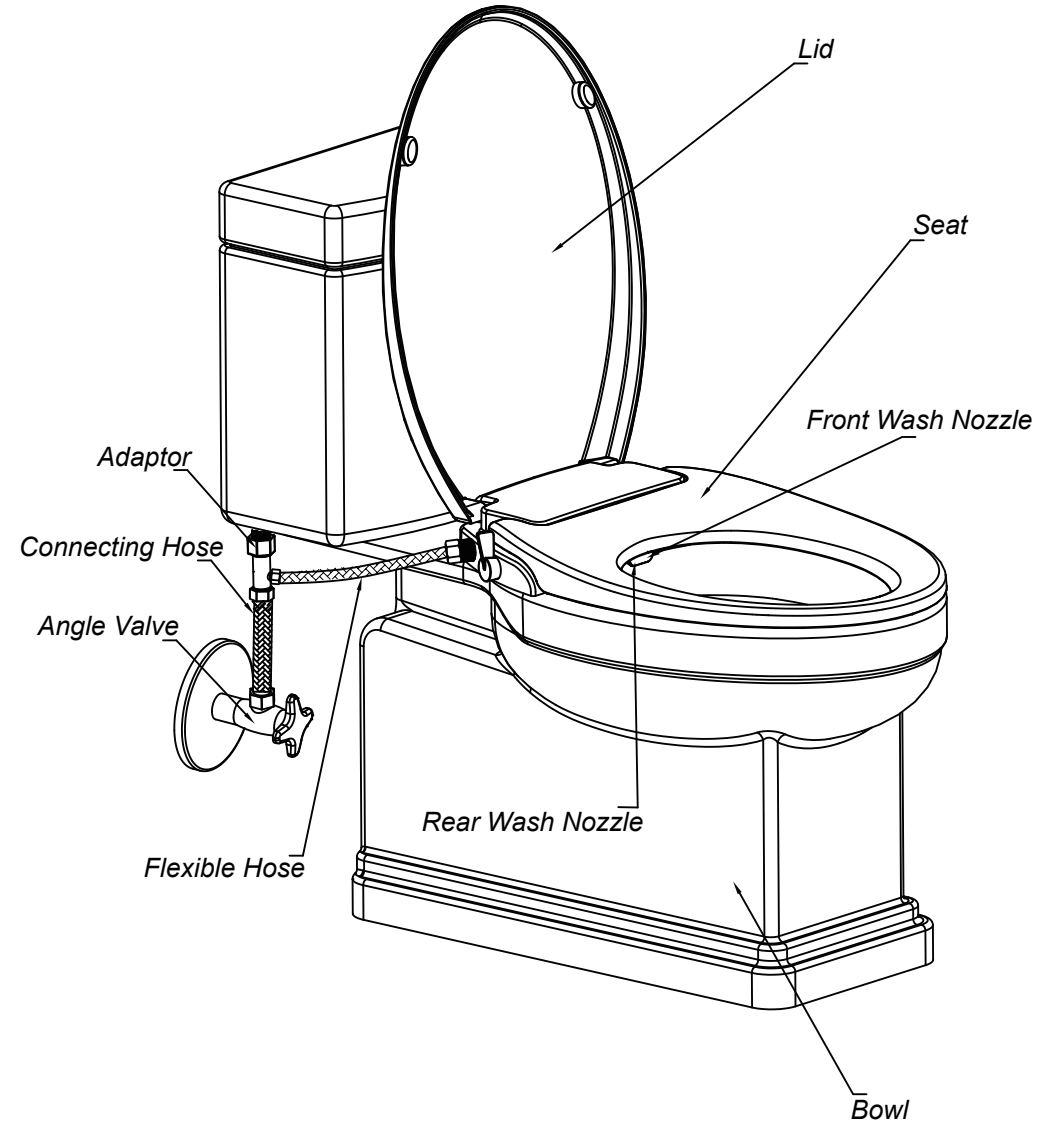
Figure 2

## Hose leakage solution

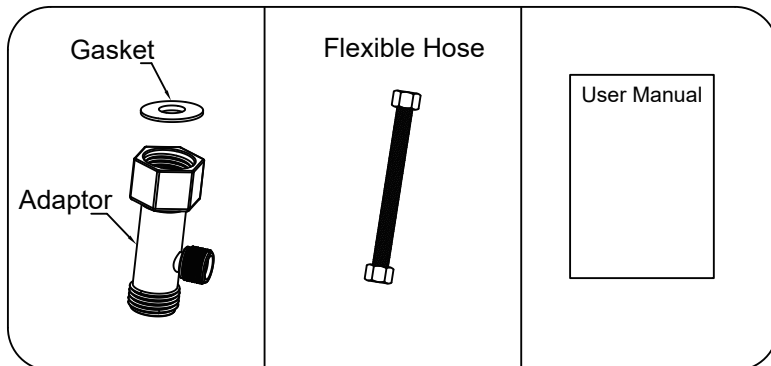
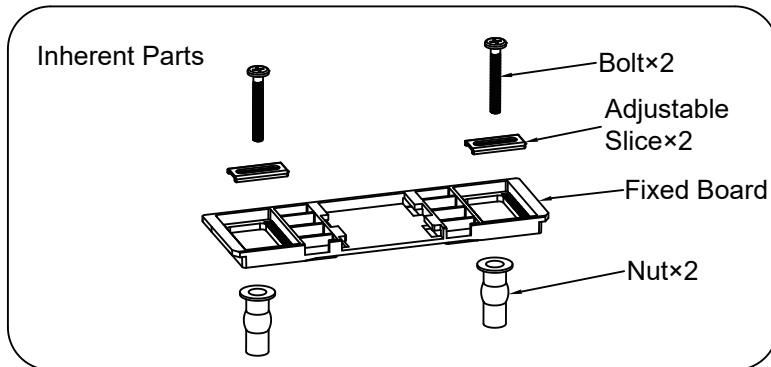
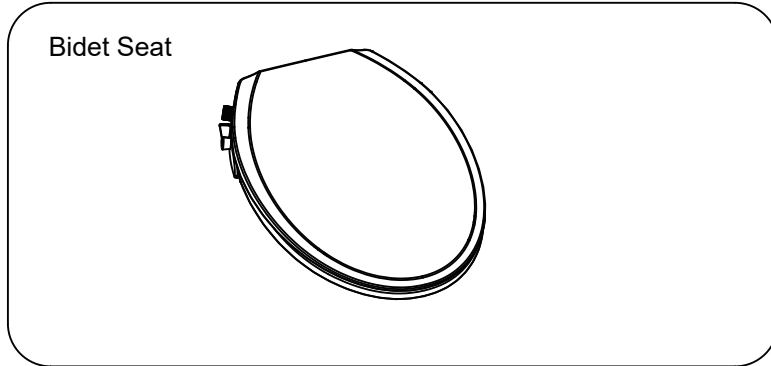
If there is leakage at the hose connection, please retighten the corresponding nuts to prevent leakage.



# Product Description



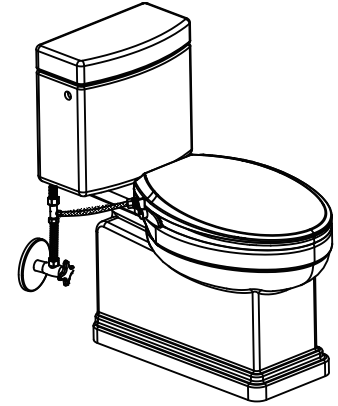
# Product Parts



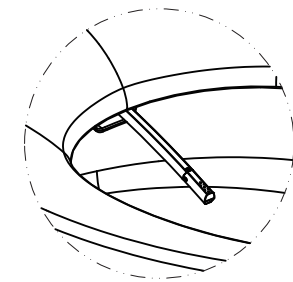
# Maintenance

## Cleaning

1. Please use a smooth sponge or cloth with diluted kitchen detergent products when cleaning the outer surface parts of the product. The following types are forbidden: hydrogen chloride cleaners, paint thinners, benzene, sandpaper, polishing agent, fragrances, pesticides, etc.



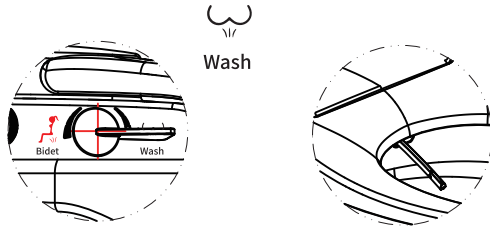
2. Pull out the nozzle softly and use smooth sponge or cloth or toothbrush with kitchen detergent to clean it.



# Product Size

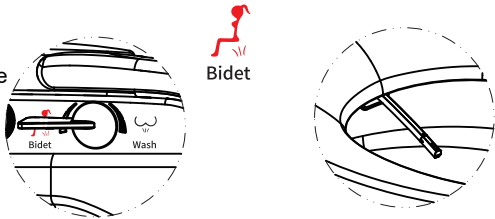
## Rear Wash

1. Turn the knob clockwise while seated.
2. Turn the knob to adjust the water flow according to personal needs.



## Front Wash

1. Turn the knob counterclockwise while seated.
2. Turn the knob to adjust the water flow according to personal needs.



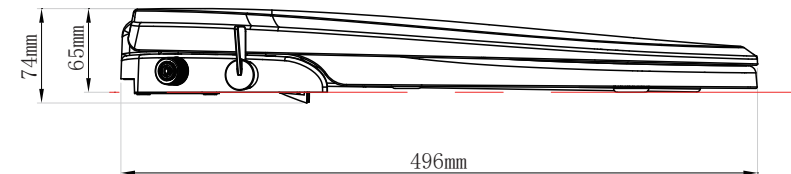
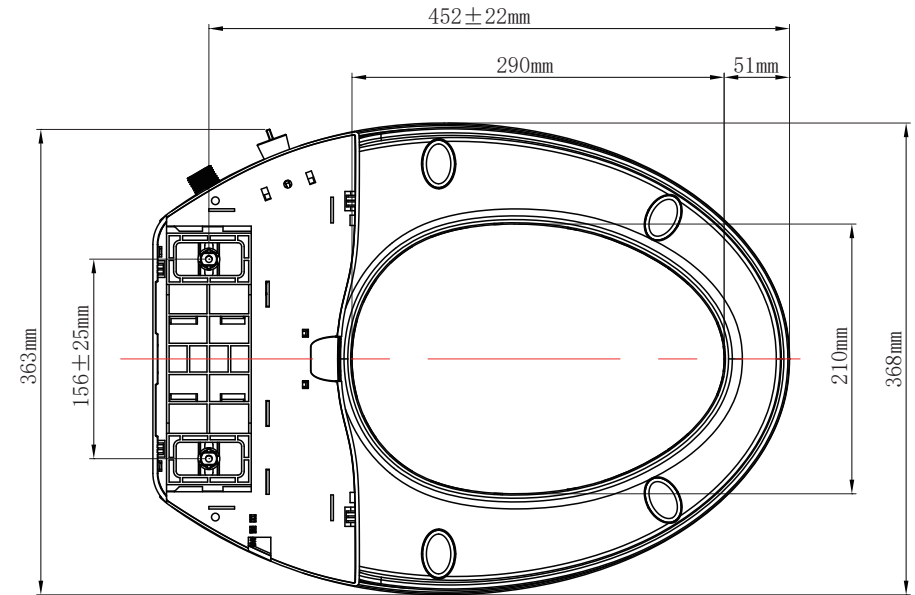
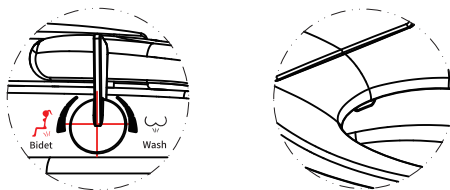
## Self cleaning Nozzles

1. The nozzle will automatically go through a brief self cleaning cycle with each use of the knob.



## Turn Off

1. When the knob is turned to the vertical position as shown in the figure, the flushing function stops water output.



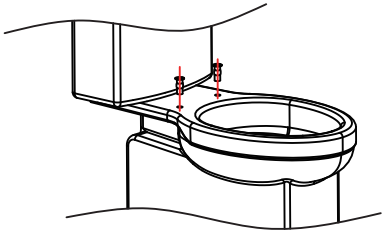
# Installation Notes

**Please ensure that the installation is correct according to the user manual.**

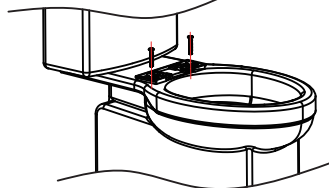
1. Water pressure range: 0.05-0.8Mpa, please follow the manual.
2. Angle valve should be close to the product installation and disassembly position.

# Installation Steps

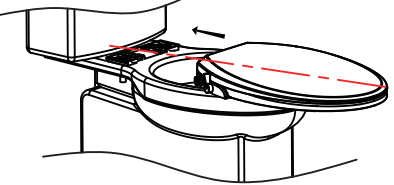
1. Put the nuts into the fastening hole on bowl and press flat.



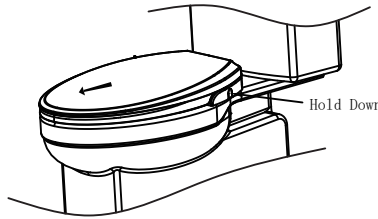
2. Place the fixed board onto bowl and adjust the position of the adjustable slice, ensure that the bolts can be aligned with the nuts, and then lock the bolts slightly.



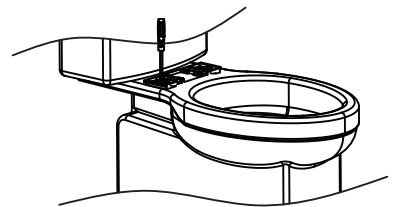
3. Insert the bidet seat onto the fixed board and push it to the end. It is fixed while you hear a "click", then adjust the position of the bidet seat to match the outline of the bowl.



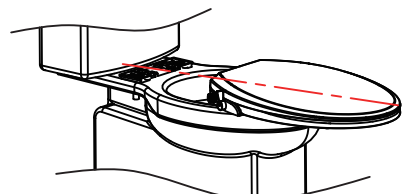
4. Hold down the side button while pulling bidet seat outward to remove the bidet seat.



5. Use a screwdriver to firmly tighten the bolts until it can't be screwed.

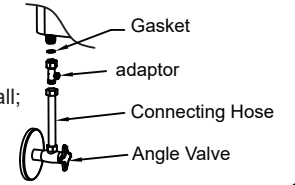


6. Insert the bidet seat onto the fixed board and push it to the end. It is fixed while you hear a "click".

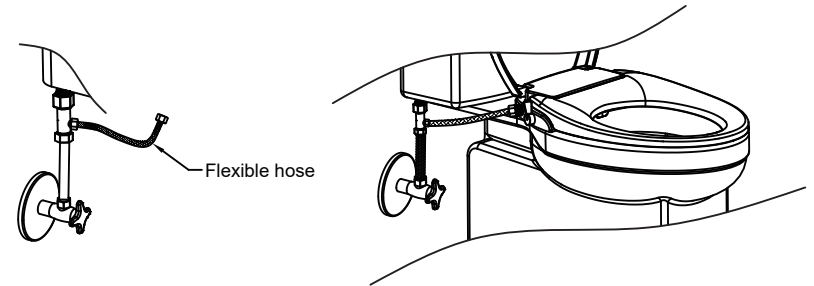


# Hose Connection

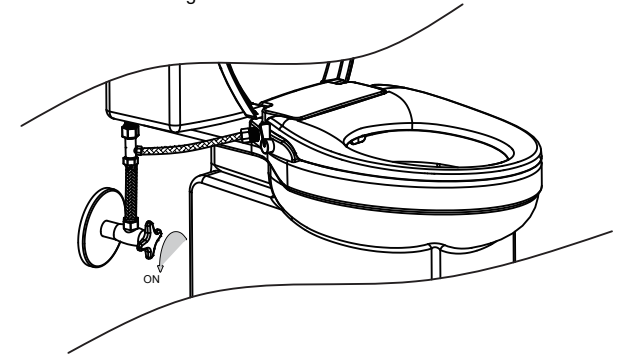
- 1.0. Turn off the angle valve, drain the water from the tank, and then remove the connecting hose of the tank;
- 1.1. Tighten one end of the adaptor with gasket with the water inlet at the bottom of the tank to ensure that the gasket does not fall;
- 1.2. Tighten one end of the removed connection hose with the adaptor, and the other end is connected with the Angle valve.



2.0. Connect one end of flexible hose with the adaptor, and another end is connected with the water inlet of the bidet seat. Pay attention to the thread specification.



3.0. Open the angle valve to check whether there is leakage at the hose connection.



1. It is forbidden to put heavy objects on the bidet seat, which is easy to cause mechanical failure.
2. Hot water higher than 40 °C or frozen cold water is forbidden.