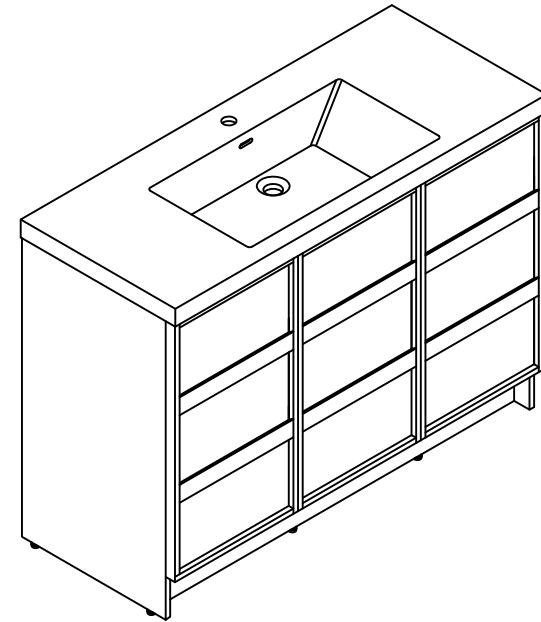


Installation Manual-BV B12848

**MOTIVATE
YOUR LIFE !**

THANKS FOR WATCHING

Your feedback is invaluable to us and we would love to hear about your experience. Please take the time to leave us a review.

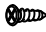
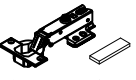

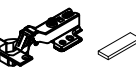

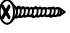




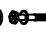


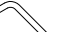



Thank you for shopping with us!

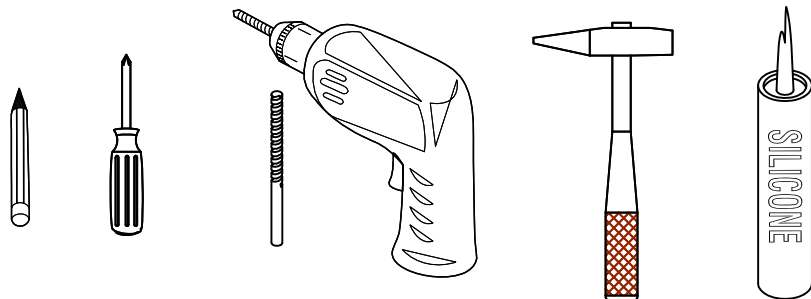
We encourage you to take a few minutes to go through this booklet. It contains important information on installation and care tips to keep your furniture looking as good as new.

Item NO.:BV B12848

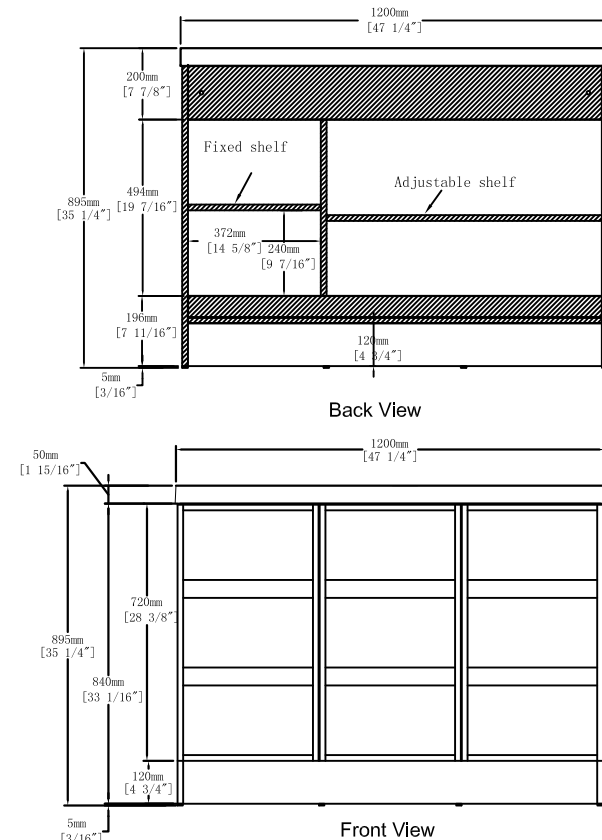
Hardware

NO.	Draw	QTY	NO.	Draw	QTY
A	 Screws Ø4x14mm	56	I	 Hinges (Full cover) - 40 cups	4
B	 Two-in-one connector	36	J	 Hinges (Half cover) - 40 cups	2
C	 Two-in-one connector	36	K	 Screws Ø4x25mm	1
D	 Wood plug	7	L	 Movable laminate support	4
E	 Plastic anchor(Ø10mm)	2	M	 Adjustable feet	6
F	 Screws for fix on the wall	2	N	 Anti-collision gasket	6
G	 Bracket (53x70x44mm)	2	O	 Screwdriver	1
H	 Bracket (19x19x35mm)	2			

Recommended tools

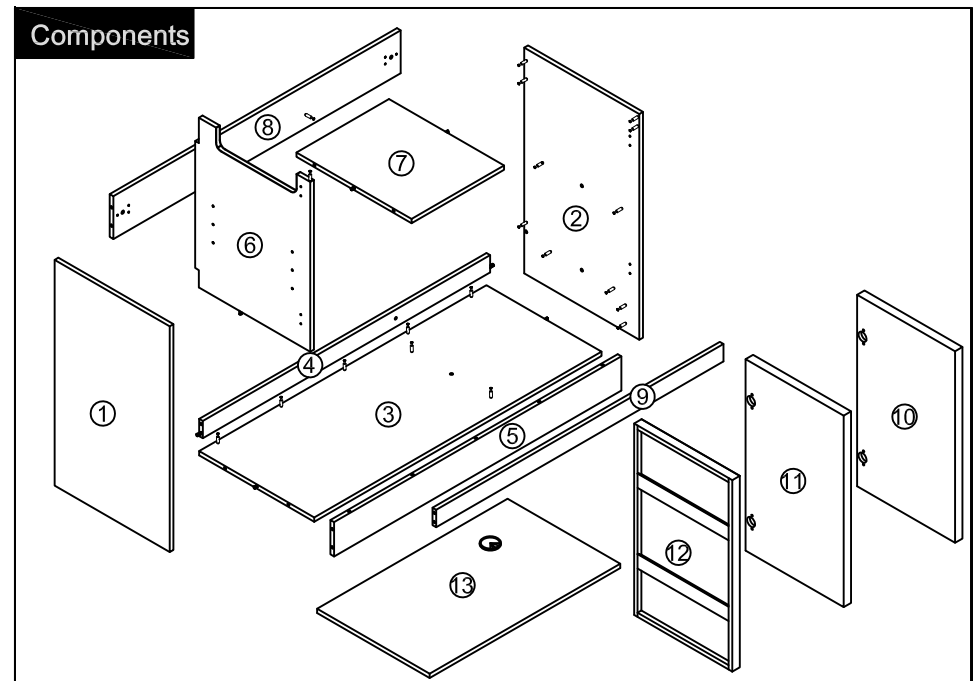
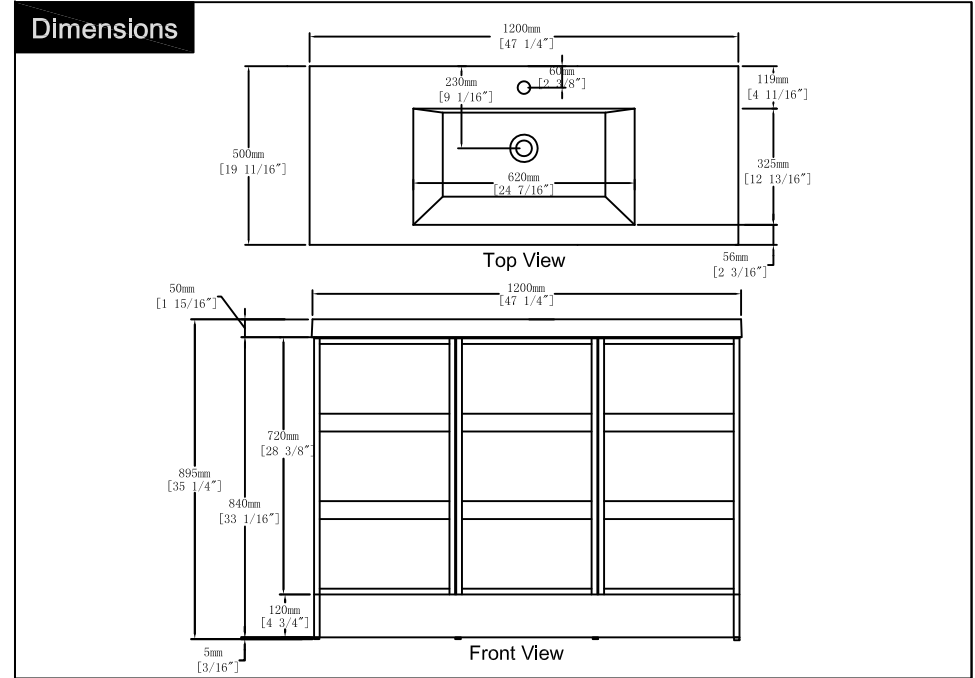
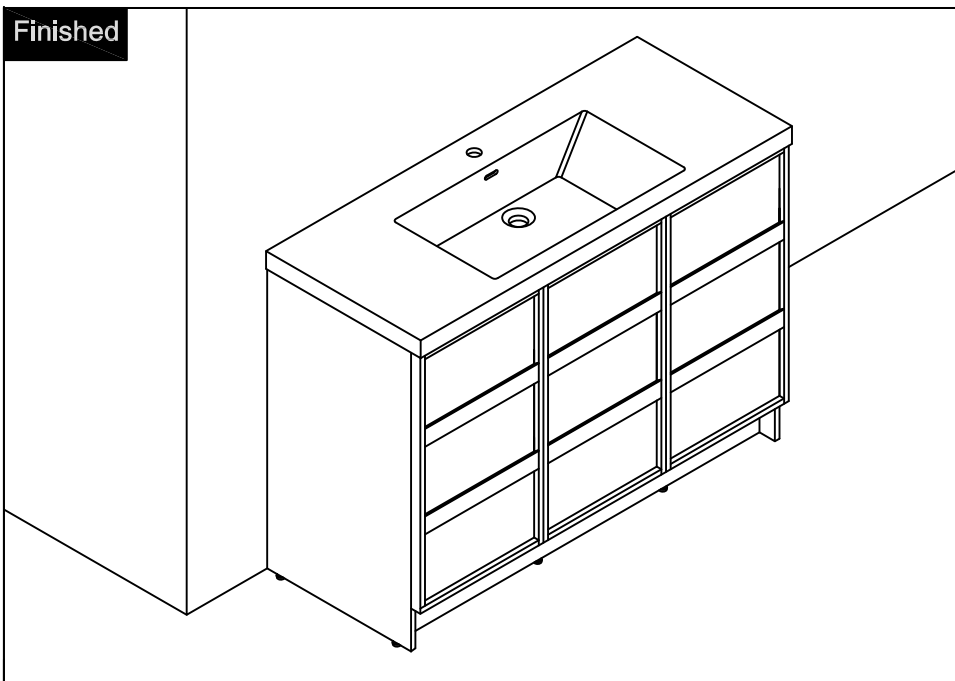
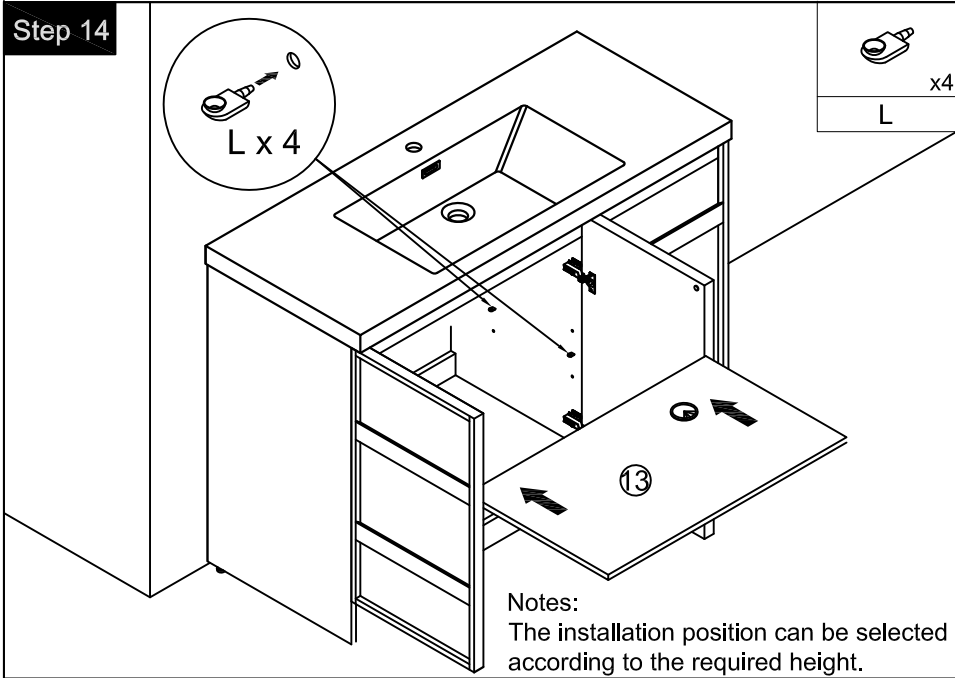


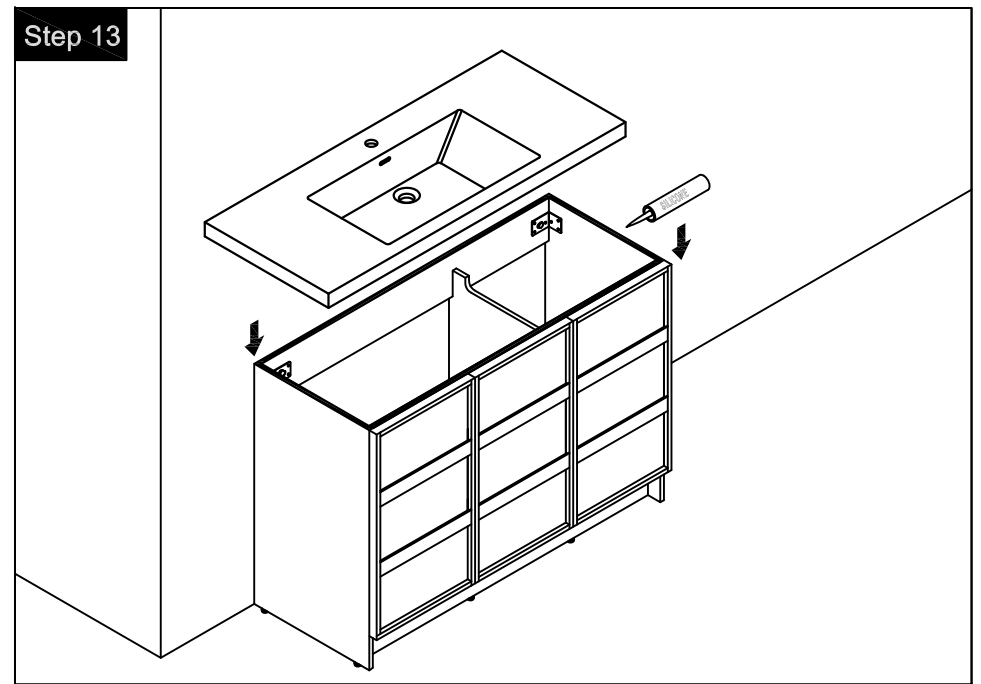
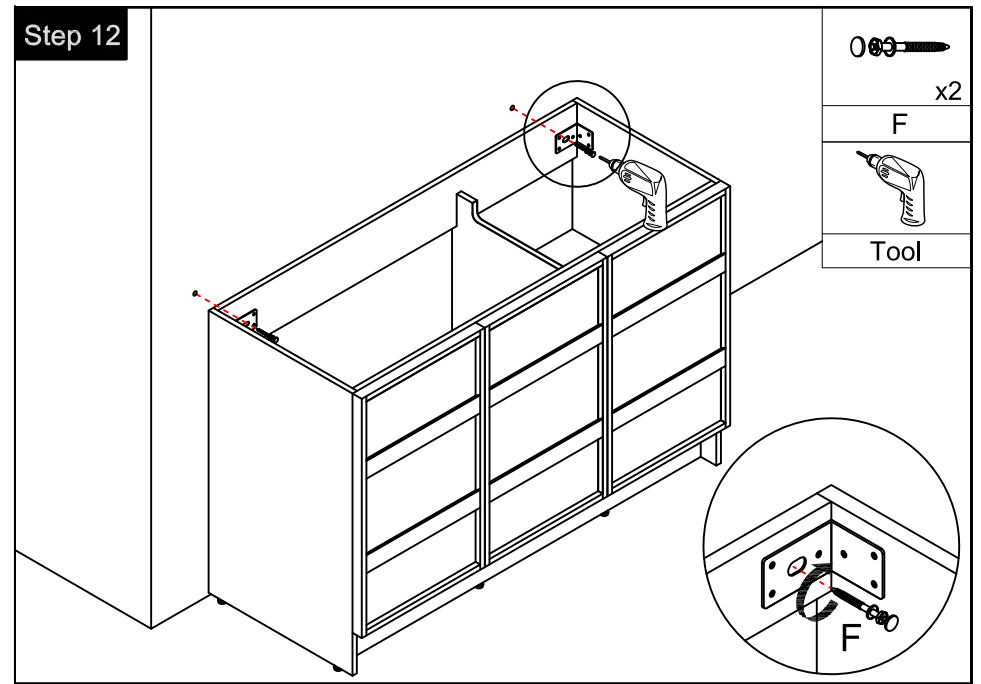
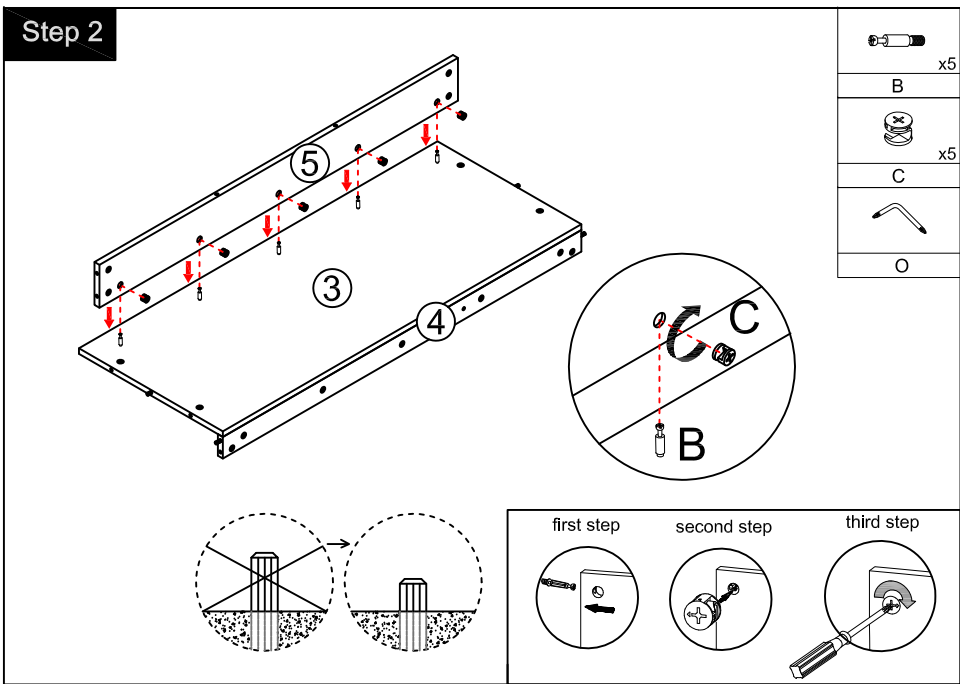
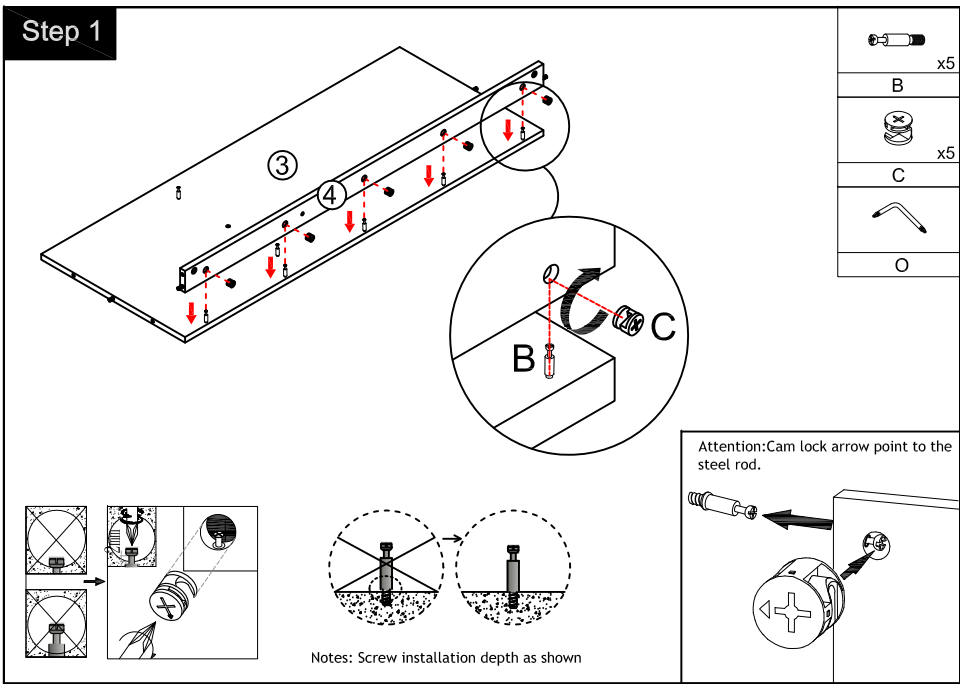
Dimensions



CARE CLEANING AND MAINTENANCE

1. Dust regularly with a soft , dry cloth.
2. Avoid the use of all chemicals household cleaners, abrasives, or cleaners that contain lemon, vinegar, or other acids that may damage the finish.
3. Excessive exposure to sunlight and extreme changes in temperature and moisture can damage wood furniture.
4. The sink is fragile, please pay attention to maintaining its appearance.
5. Do not place hot appliances, such as curling irons and hot hair dryers directly on the countertop. Wipe spills immediately.





Step 9

	x6		x4
	x2		x36

You can adjust the doors by tightening or loosening the screws on the hinge. →

Step 3

	x2
	x2
	x1

Note: The D parts are used for this hole

Step 10

	x2

Ø10

Step 11

	x2

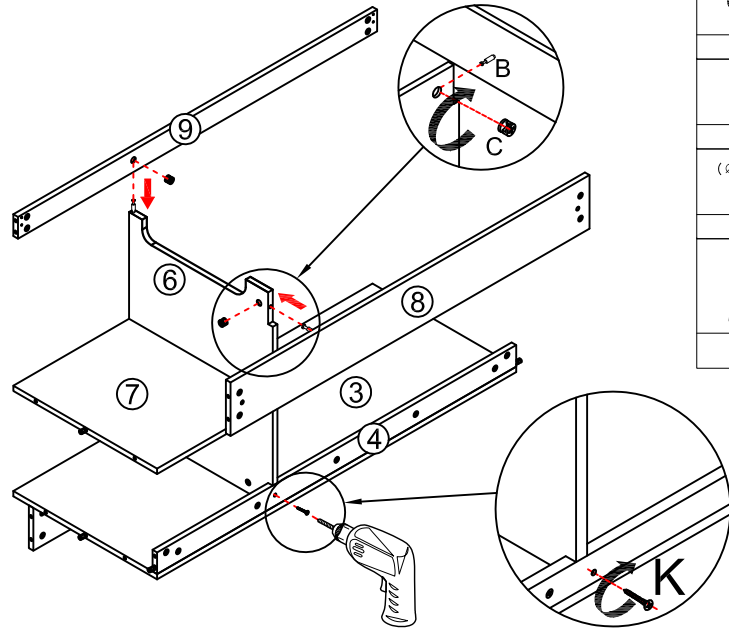
Ø10

Step 4

	x2
	x2
	x1

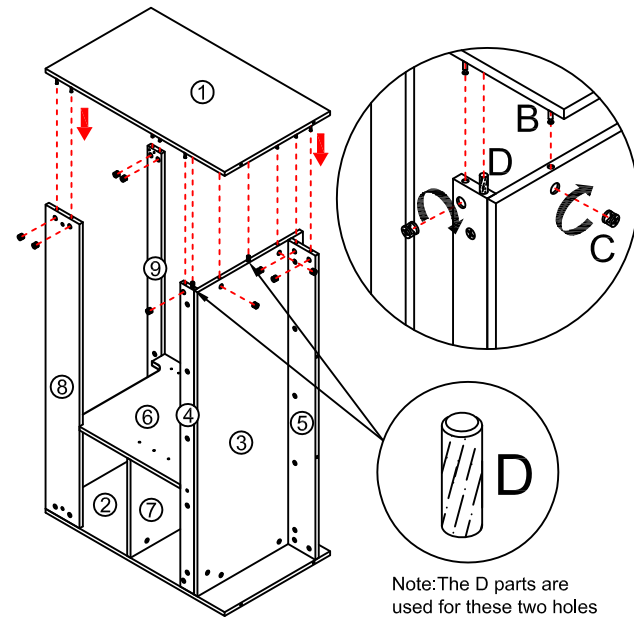
Note: The D parts are used for this hole

Step 5



	x2
B	
	x2
C	
($\varnothing 4 \times 25\text{mm}$)	
	x1
K	
Tool	

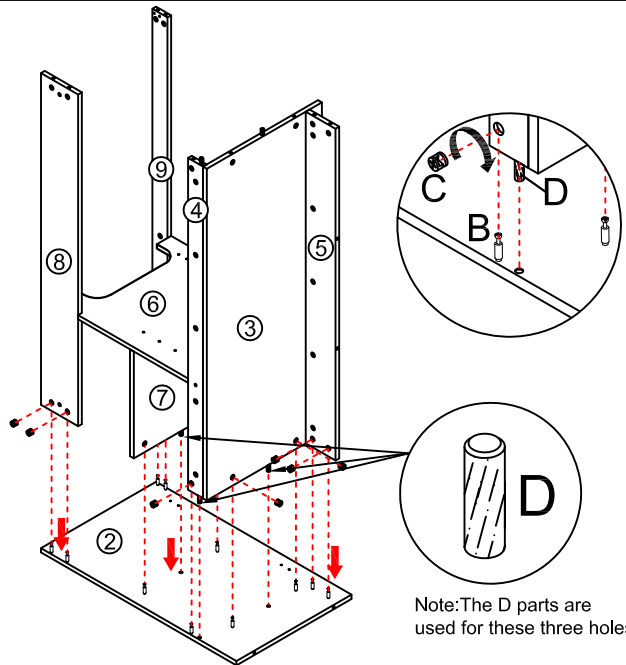
Step 7



	x9
B	
	x9
C	
	x2
D	
O	

Note: The D parts are used for these two holes

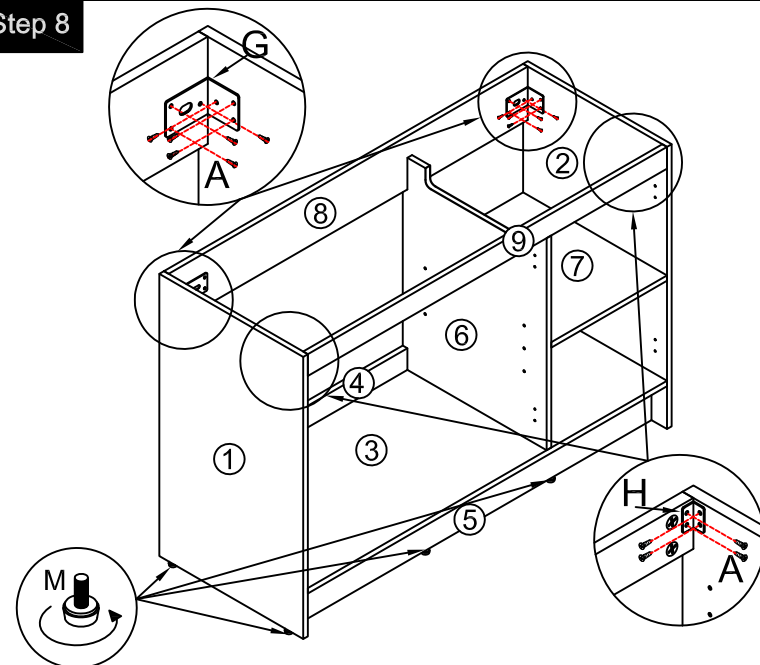
Step 6



	x11
B	
	x11
C	
	x3
D	
O	

Note: The D parts are used for these three holes

Step 8



	x2
G	
	x2
H	
($\varnothing 4 \times 14\text{mm}$)	
	x20
A	
	x6
M	
Tool	