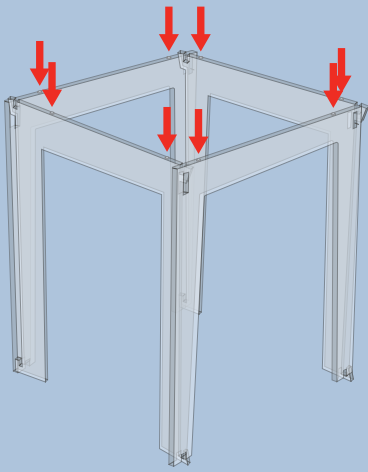
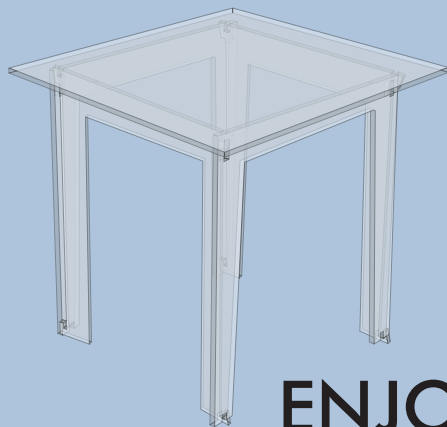
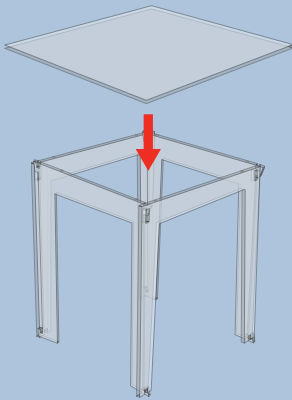


4 Install Adhesive Clear Pads.



5 Install Acrylic Clear Desk Top.



ENJOY!

STAUBER

AN AMERICAN INVENTION
COMPANY

CONGRATULATIONS
ON YOUR NEW
FANCY ACRYLIC TABLES!



Write a review on Amazon
so that other customers can
learn from this amazing product!



For more info and instructional
videos visit our website at:

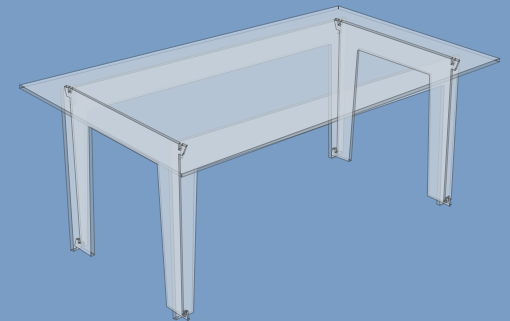
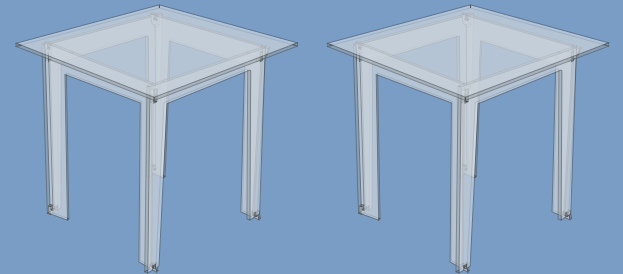
[STAUBERBEST.COM/products
/acrylic-table-set-classic](http://STAUBERBEST.COM/products/ acrylic-table-set-classic)



STAUBER

AN AMERICAN INVENTION
COMPANY

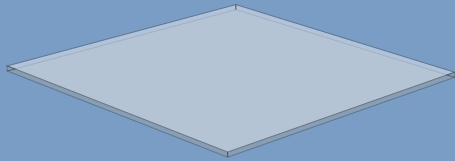
**BEST
ACRYLIC
COFFEE AND
SIDE TABLES**



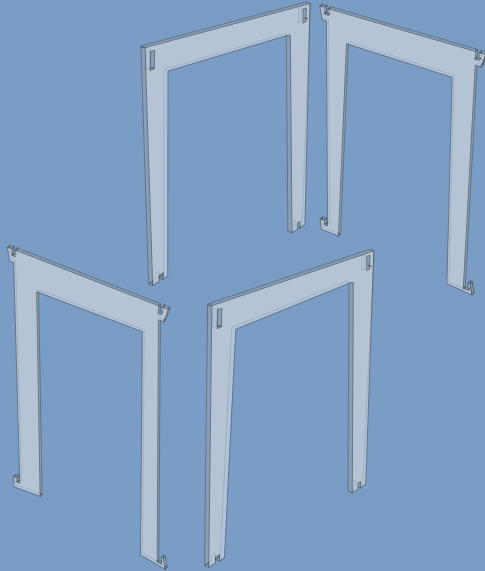
INSTRUCTIONS FOR ACRYLIC
COFFEE AND SIDE TABLES ASSEMBLY

INCLUDED IN PACKAGE

Parts for one table



Acrylic Desk Top



Acrylic Leg Panels



Clear Adhesive Pads

NO TOOLS NEEDED

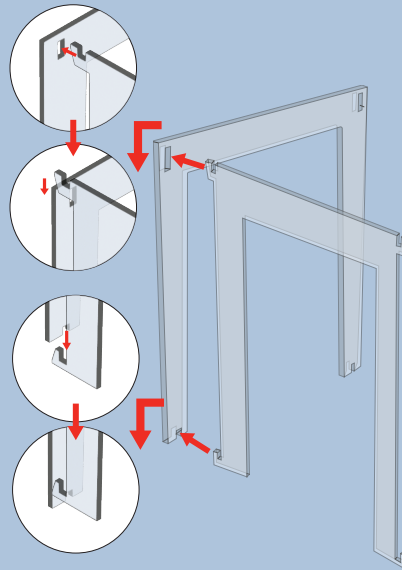
PLEASE PEEL ALL
PROTECTIVE FILM
BEFORE USING
PRODUCT



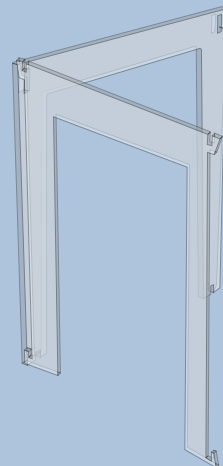
Before getting started, make sure you have suitable clean area to assemble the desk.

ASSEMBLY INSTRUCTIONS

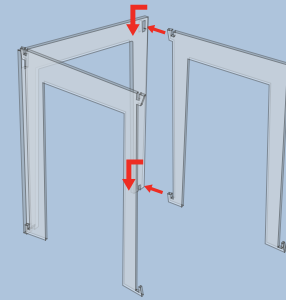
- 1 Align connecting notches with side and front panels.



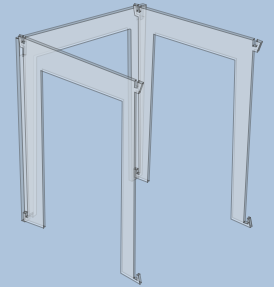
Connect the Parts.



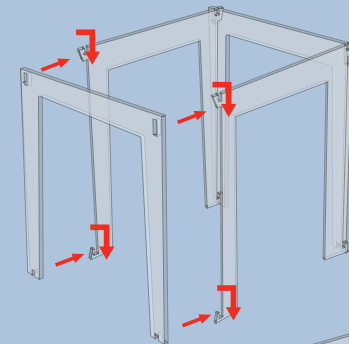
- 2 Align connecting notches with side and front panels.



Connect the Parts.



- 3 Align connecting notches with side and front panels.
Finishing the legs assembly



Connect the Parts.

