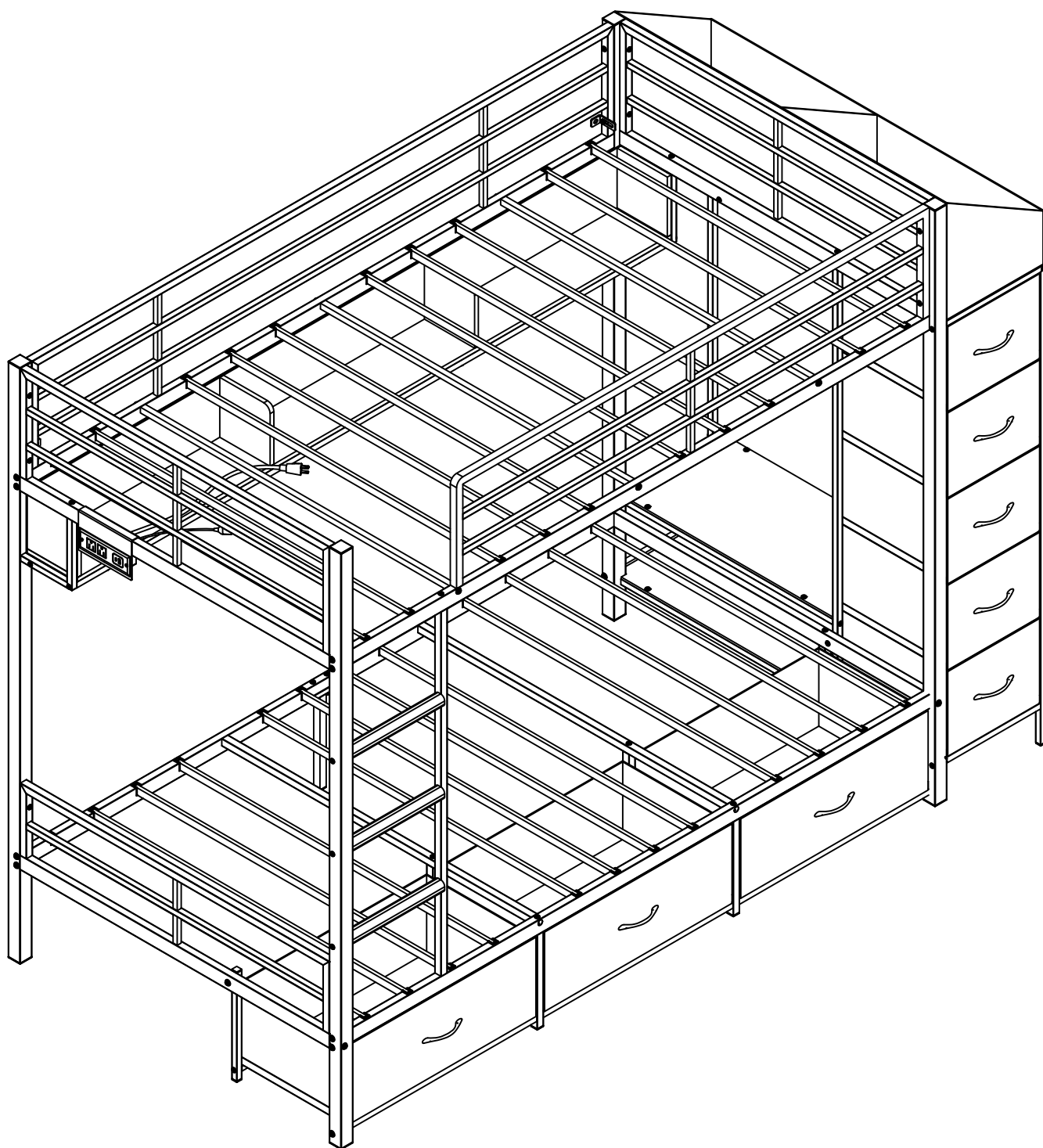
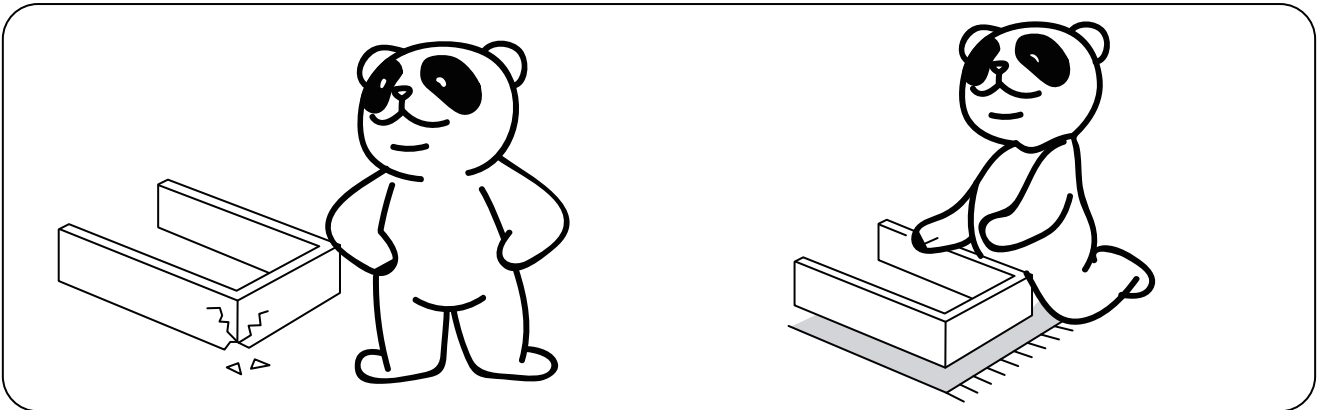
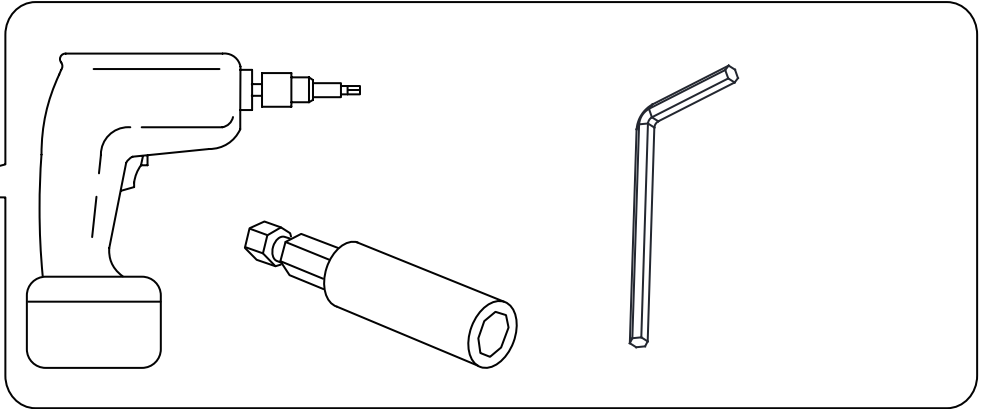


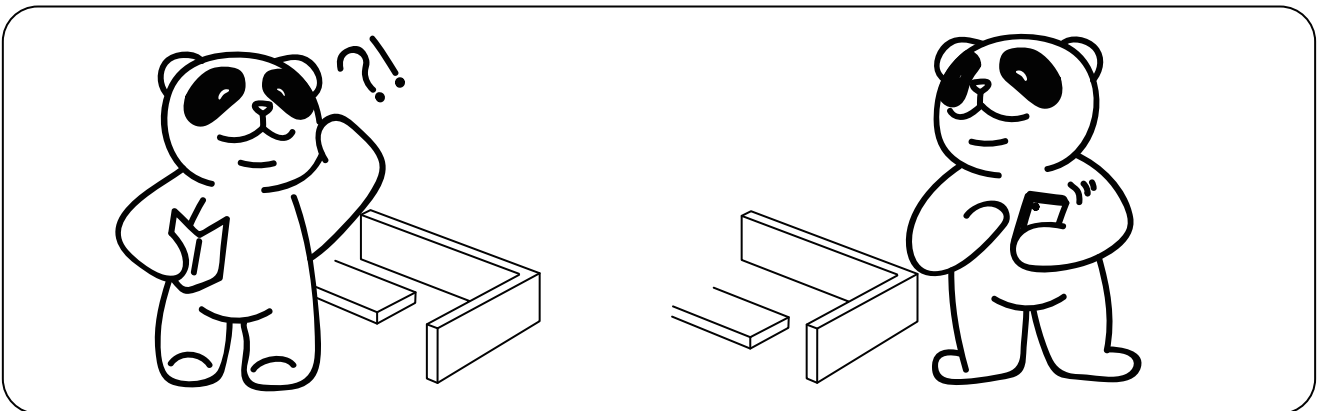
# Loft Bed



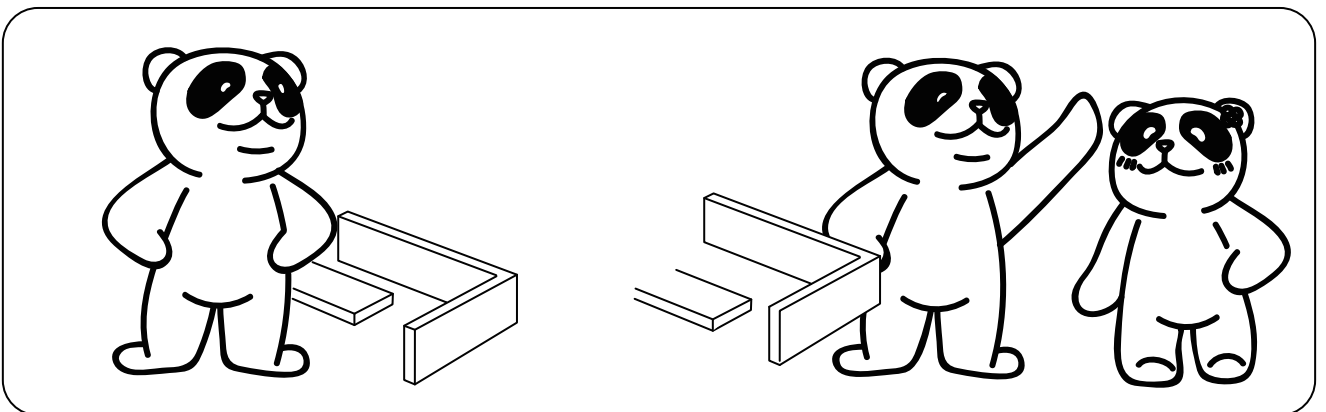
Version 1.1



Violent installation is prohibited



Please call if you need help

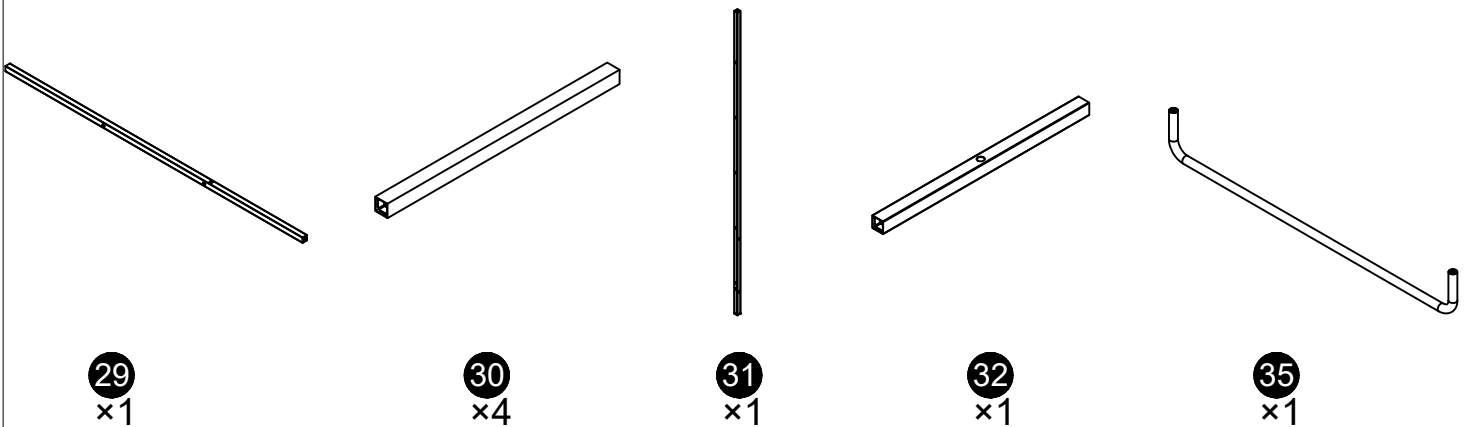
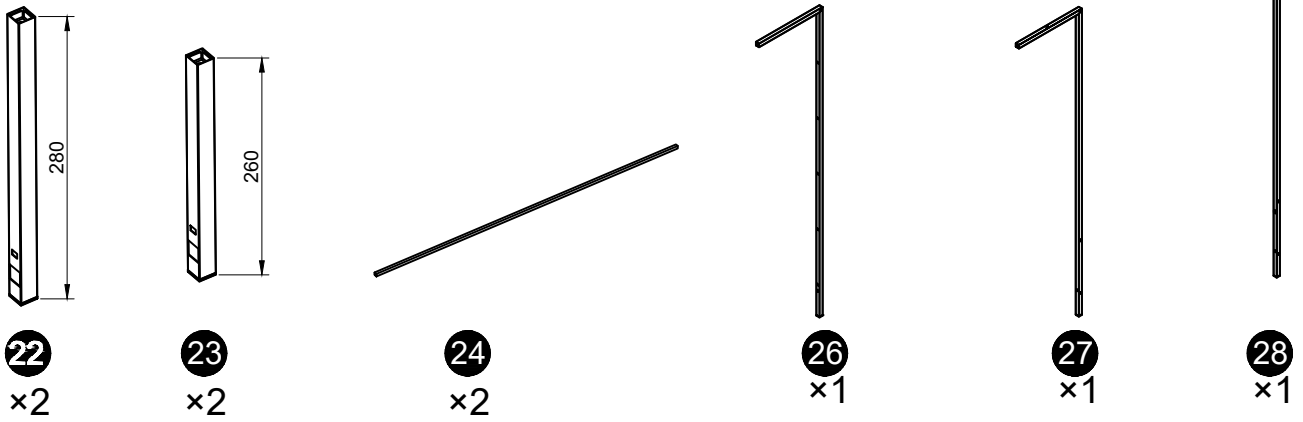
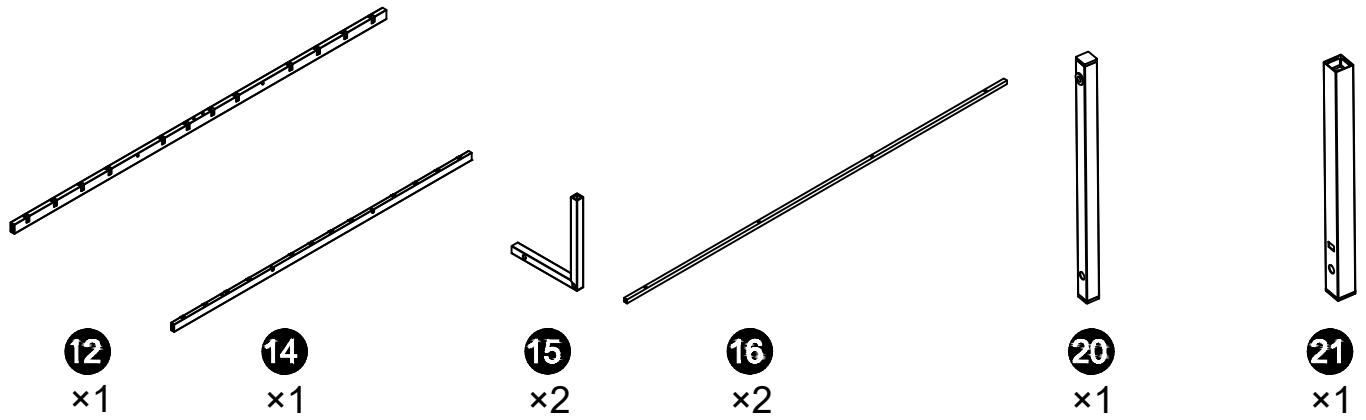
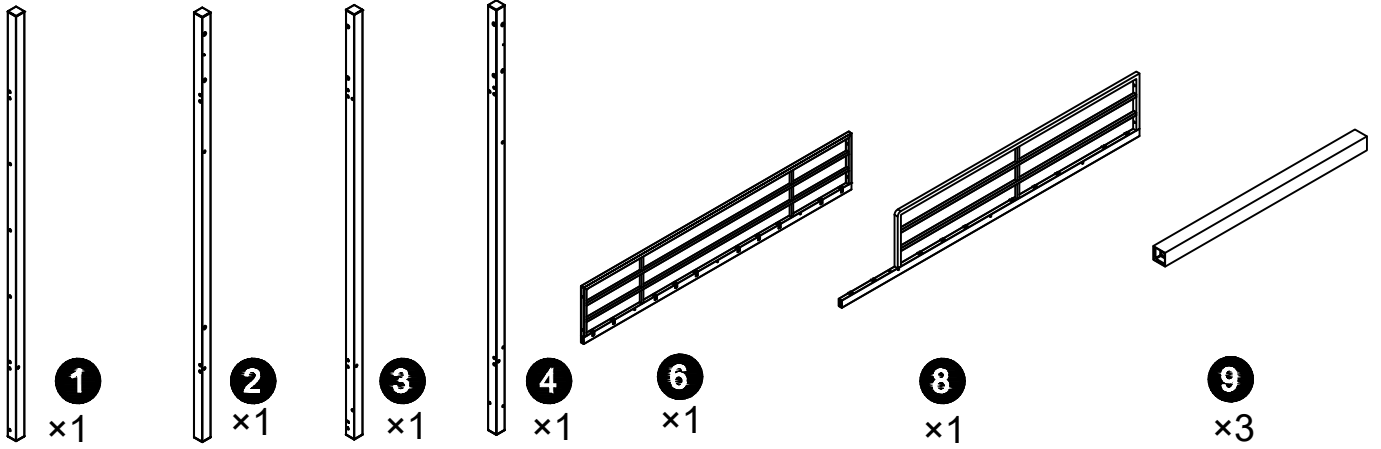


Multi-person cooperation is recommended

⚠ Pls make sure all the accessories are complete!

BOX : A

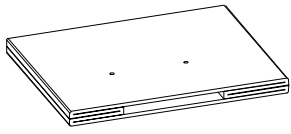
PACKING DETAILS: TOTAL 2 BOXES



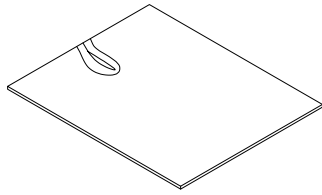
⚠ Pls make sure all the accessories are complete!

BOX : A

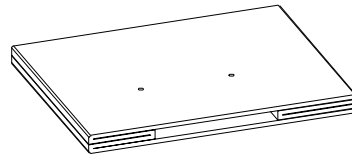
PACKING DETAILS: TOTAL 2 BOXES



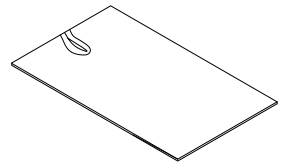
36  
x5



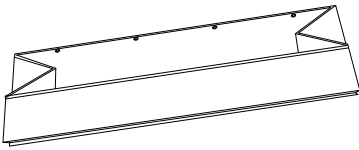
37  
x5



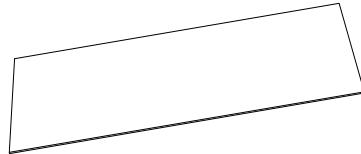
38  
x3



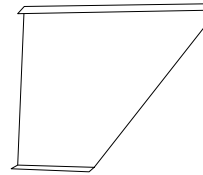
39  
x3



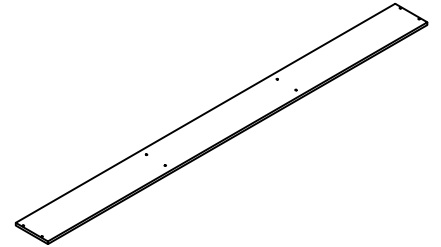
40  
x1



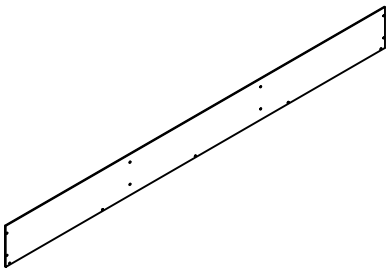
41  
x1



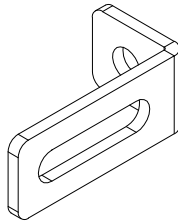
42  
x1



43  
x1



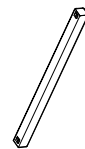
45  
x1



47  
x2



51  
x8



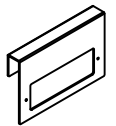
52  
x8



53  
x1



54  
x1



55  
x1

### HARDWARE LIST



A

M3\*10  
x2+1



B

M4\*12  
x16+1



C

M5\*30  
x21+2



D

M6\*15  
x12+1



E

M6\*25  
x11+1



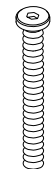
F

M6\*30  
x18+2



G

M6\*35  
x40+4



H

M6\*55  
x40+4



I

M6 washer  
x26+2



J

4#  
x1



K

4#  
x1



L

M6  
x2



M

M6  
x1



N

x8



O

3#  
x1



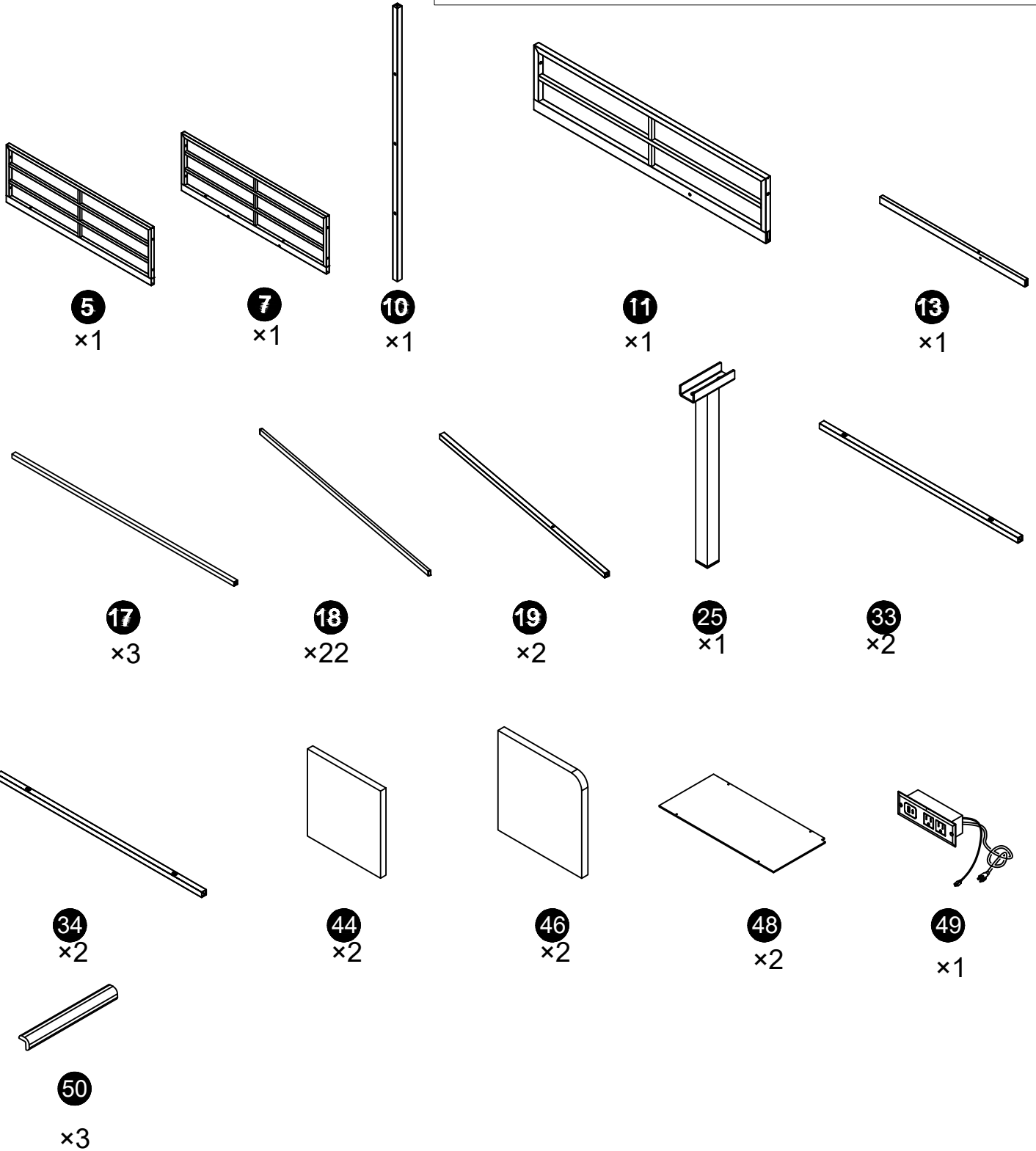
P

Ø14  
x2

⚠ Pls make sure all the accessories are complete!

BOX : B

PACKING DETAILS: TOTAL 2 BOXES



This set comes in 2 boxes. If you do not receive a full set of 2 boxes, please contact our customer service.

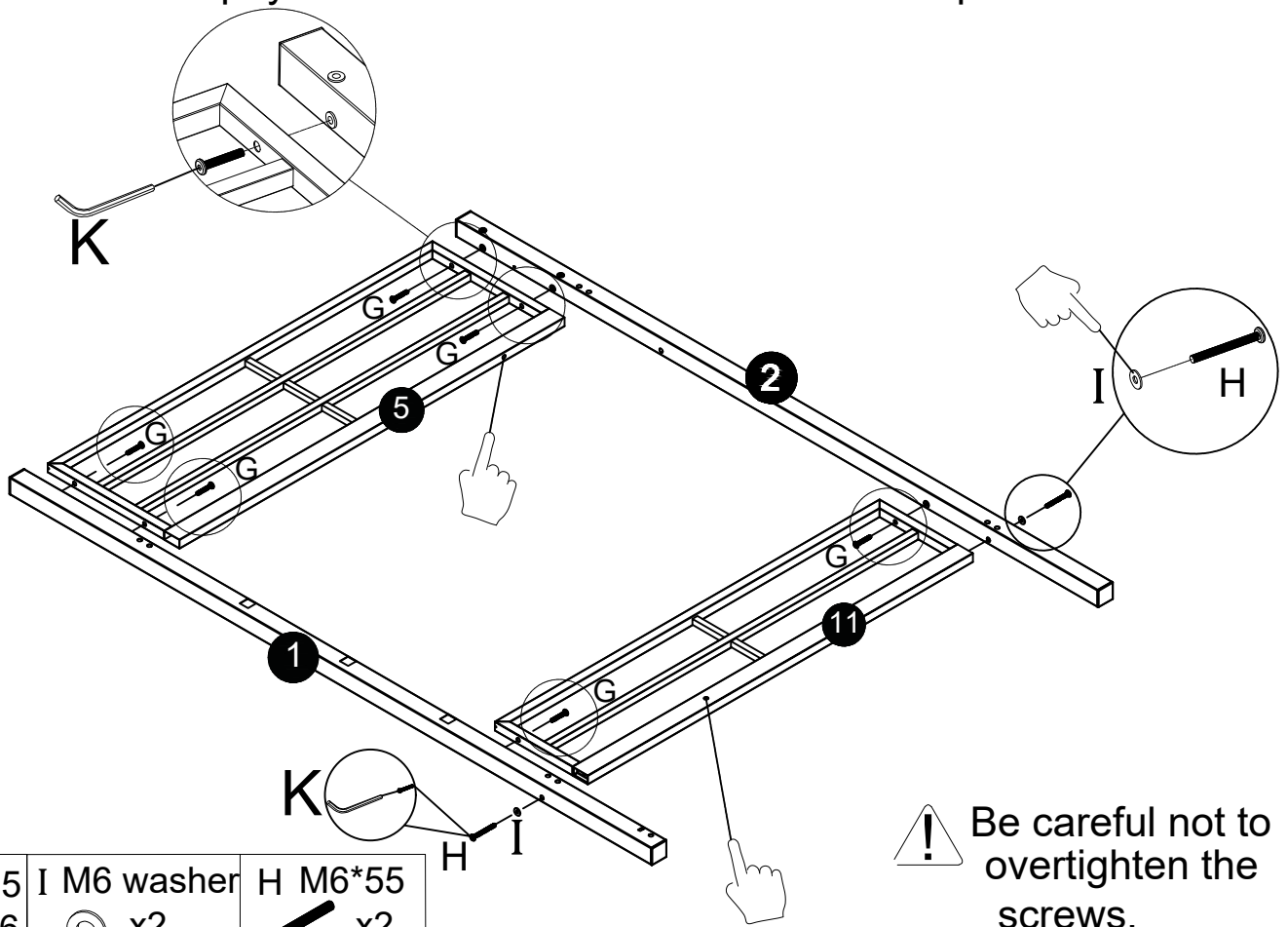
box A : 1-4,6,8,9,12,14-16,20-24,26-32,35-43,45,47, 51-55, screw pack, instructions;




box B : 5,7,10,11,13,17,18,19,25,33,34,44,46,48-50, instructions.



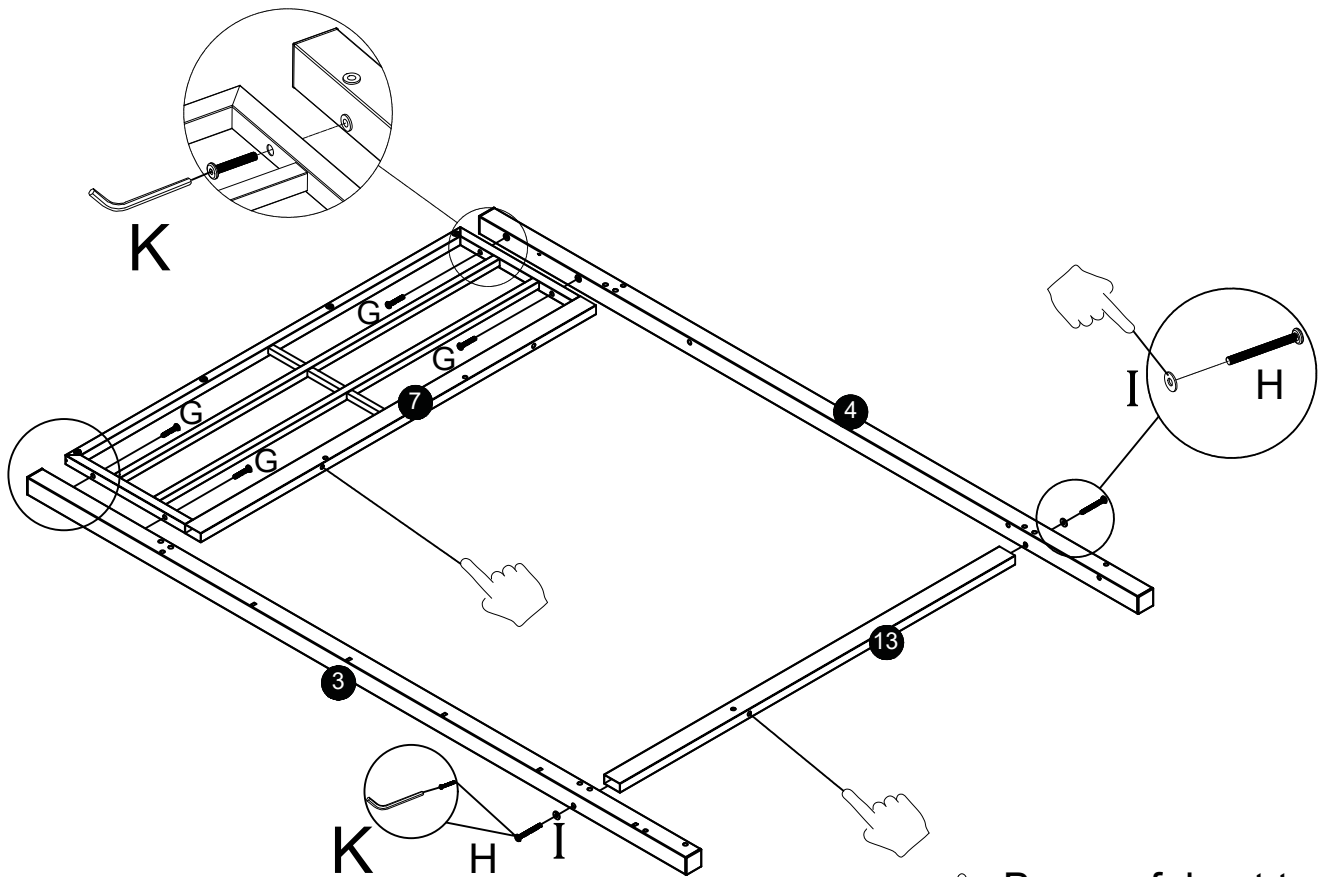
1




Please pay attention to the direction of the hole position.



G	M6*35	I	M6 washer	H	M6*55
	x6		x2		x2

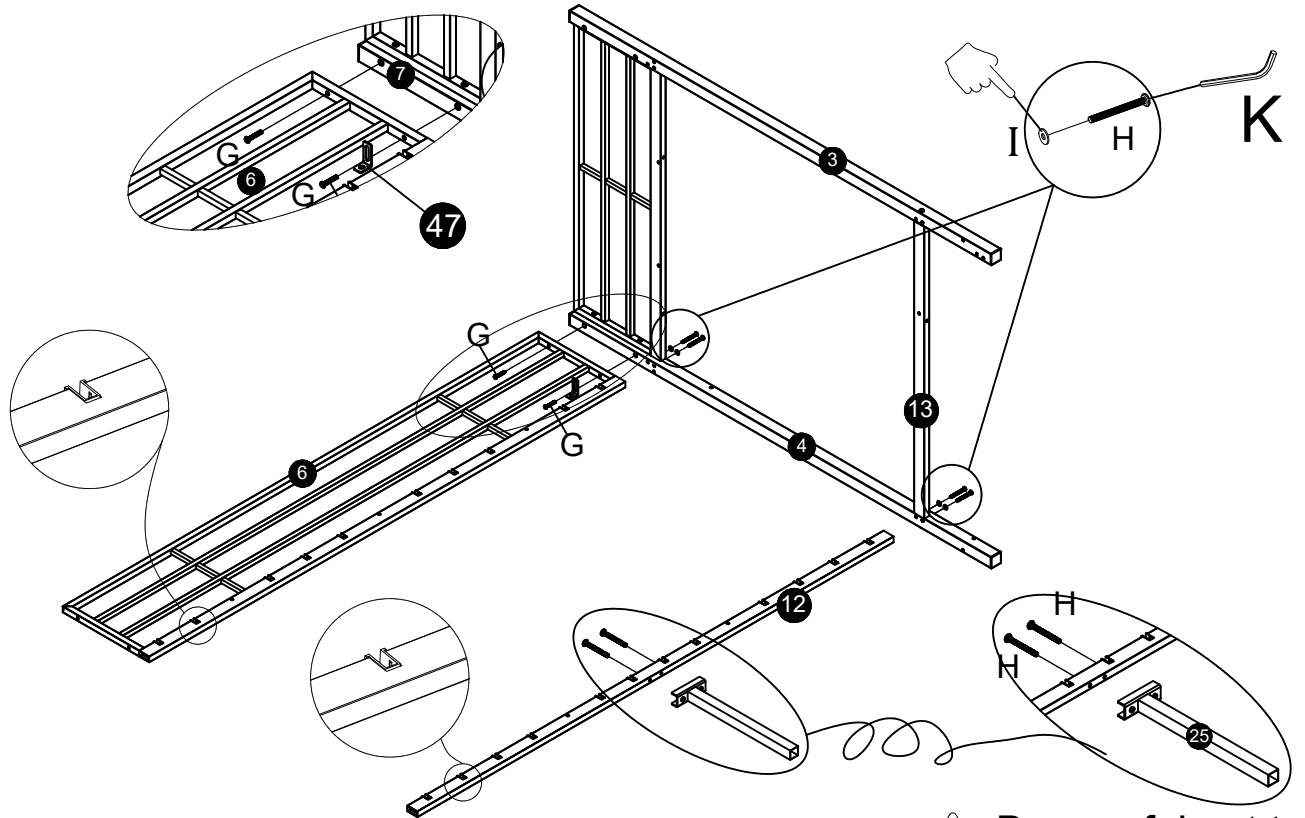
2



G	M6*35	I	M6 washer	H	M6*55
	x4		x2		x2

Be careful not to overtighten the screws.

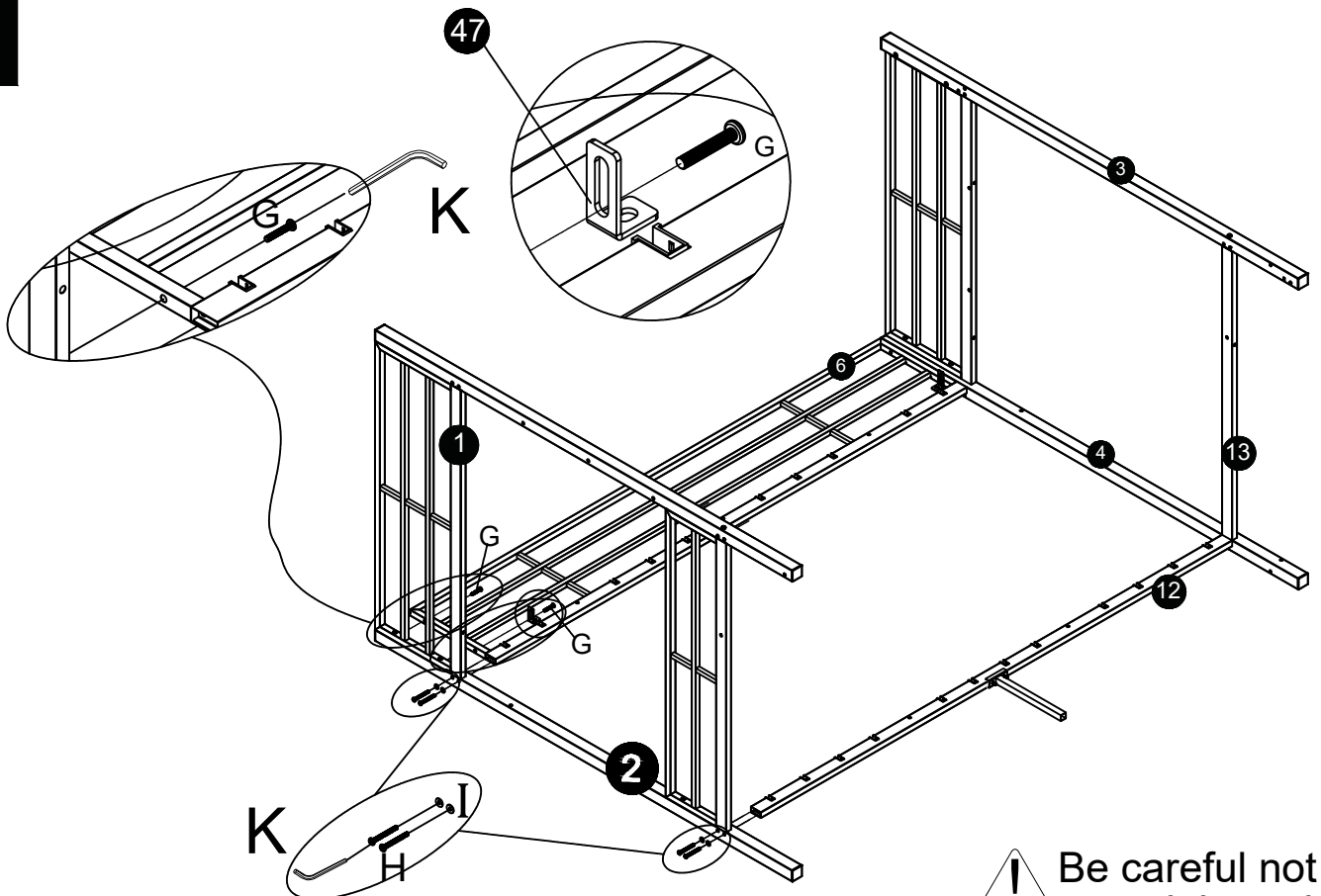
3



G M6*35 x2	I M6 washer x4	H M6*55 x6
---------------	-------------------	---------------

! Be careful not to overtighten the screws.

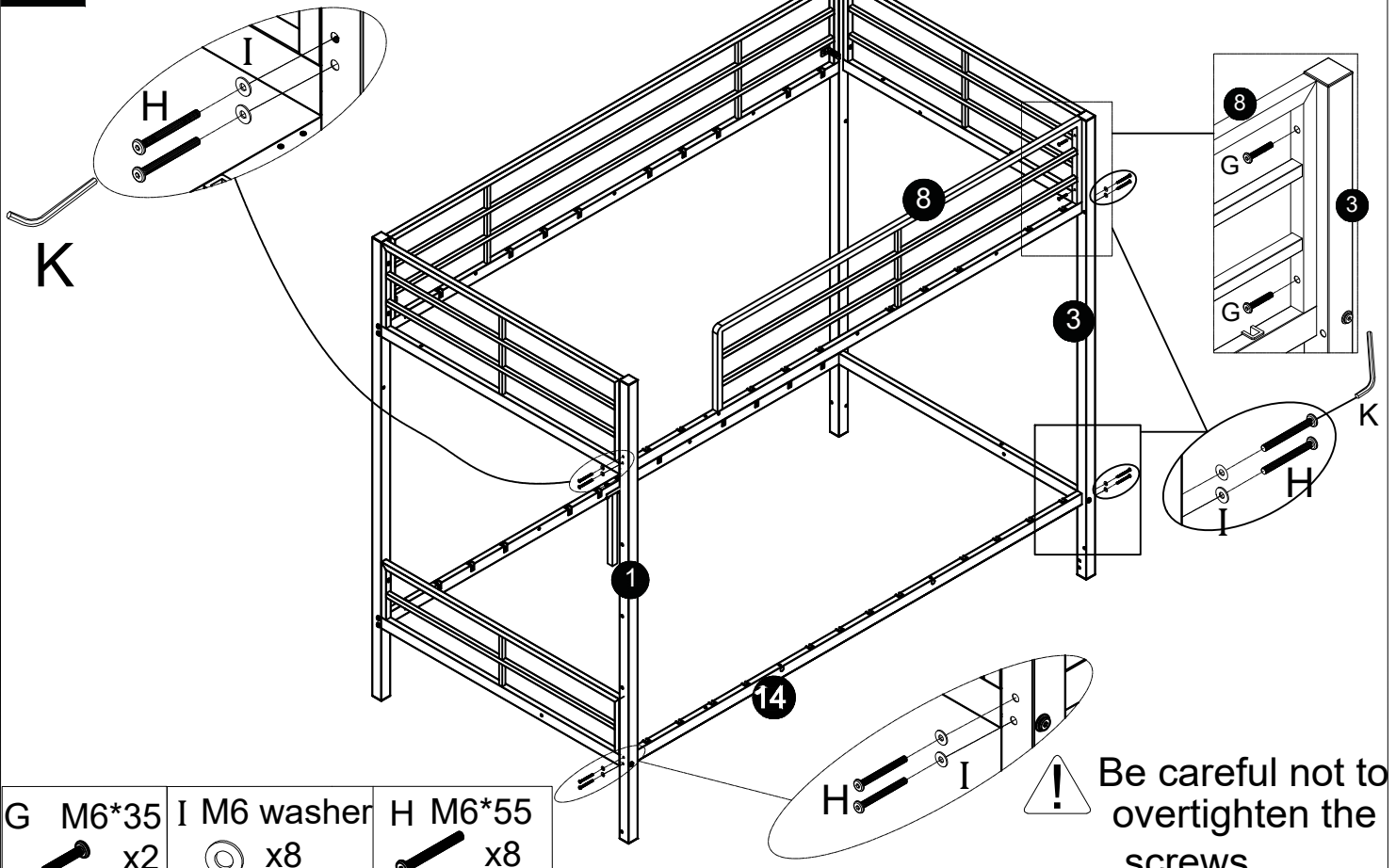
4



G M6*35 x2	I M6 washer x4	H M6*55 x4
---------------	-------------------	---------------

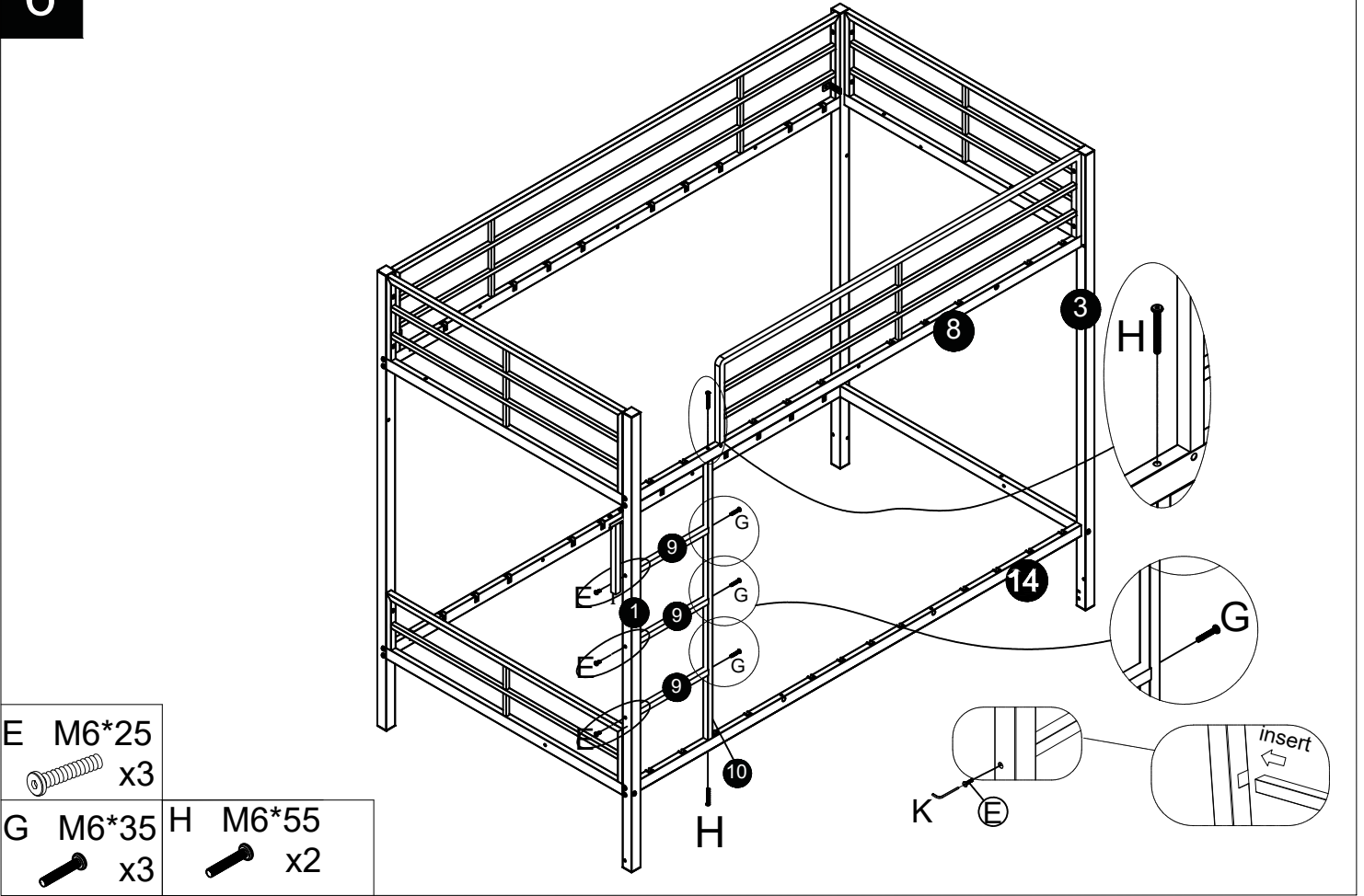
! Be careful not to overtighten the screws.

5



- |               |                   |               |
|---------------|-------------------|---------------|
| G M6*35<br>x2 | I M6 washer<br>x8 | H M6*55<br>x8 |
|---------------|-------------------|---------------|

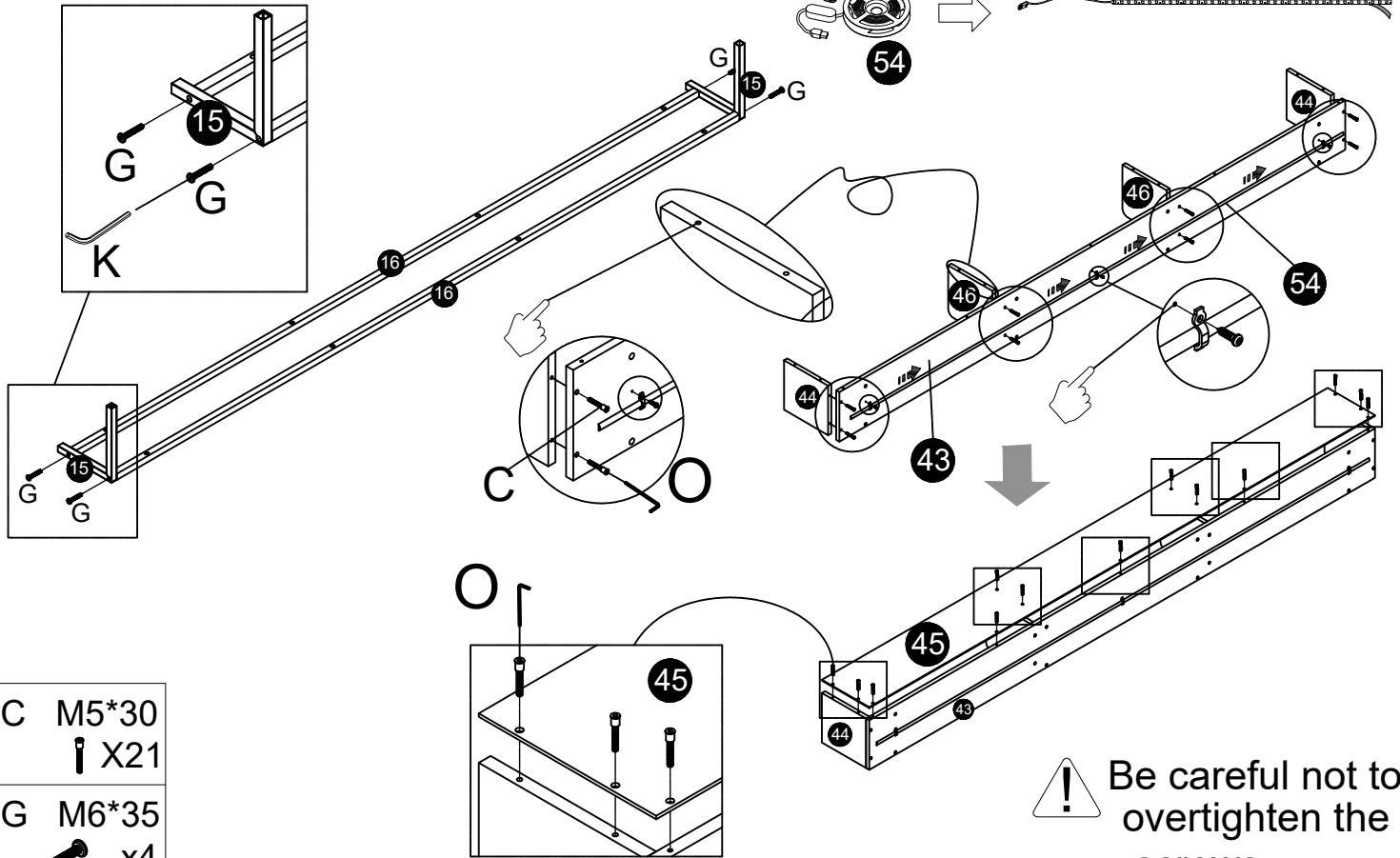
6



- |               |               |               |
|---------------|---------------|---------------|
| E M6*25<br>x3 | G M6*35<br>x3 | H M6*55<br>x2 |
|---------------|---------------|---------------|

7

Tear off the end of the tape .Stick it in the position as shown



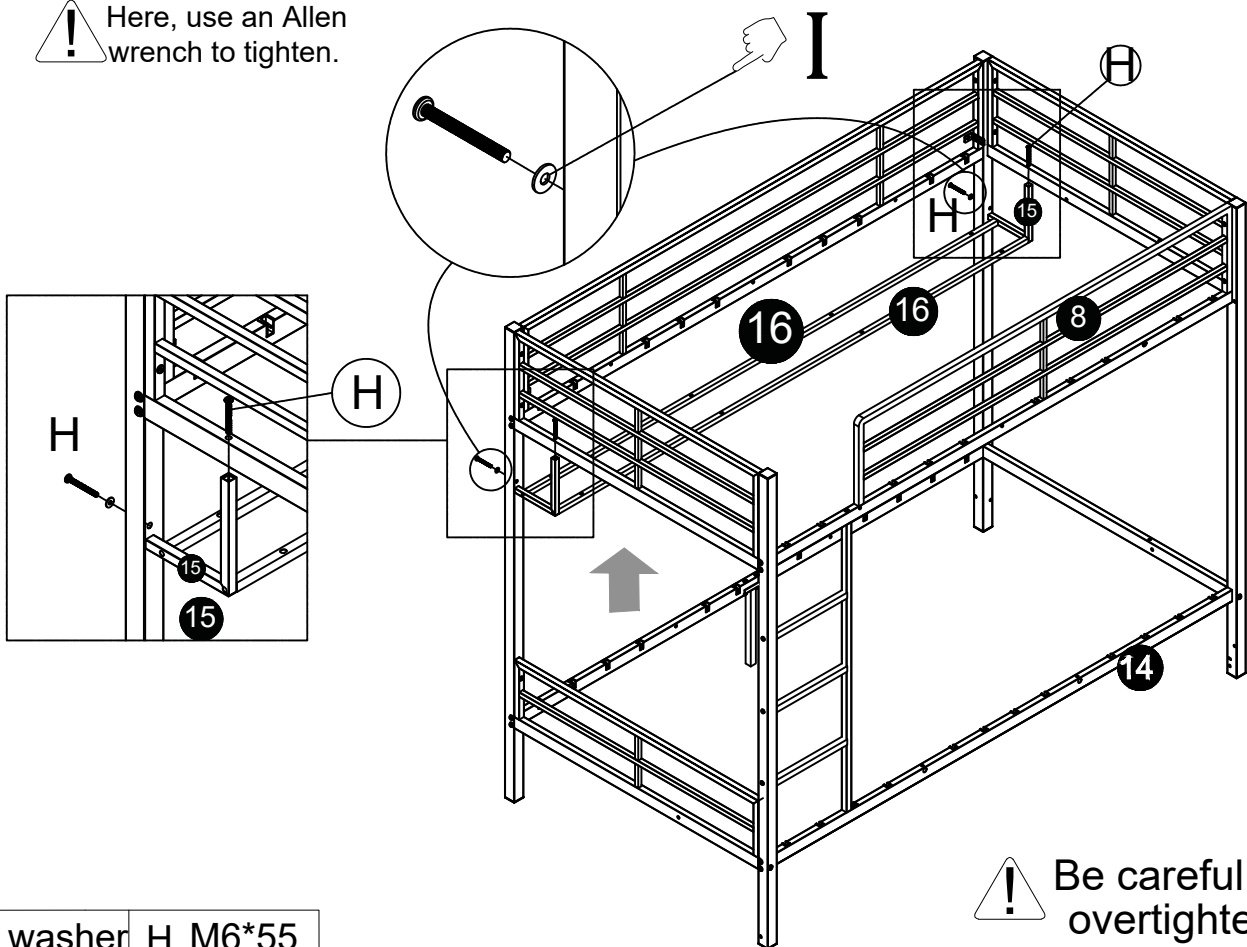
C M5\*30  
X21

G M6\*35  
x4

Be careful not to overtighten the screws.

8

Here, use an Allen wrench to tighten.



I M6 washer  
x2

H M6\*55  
x4

Be careful not to overtighten the screws.

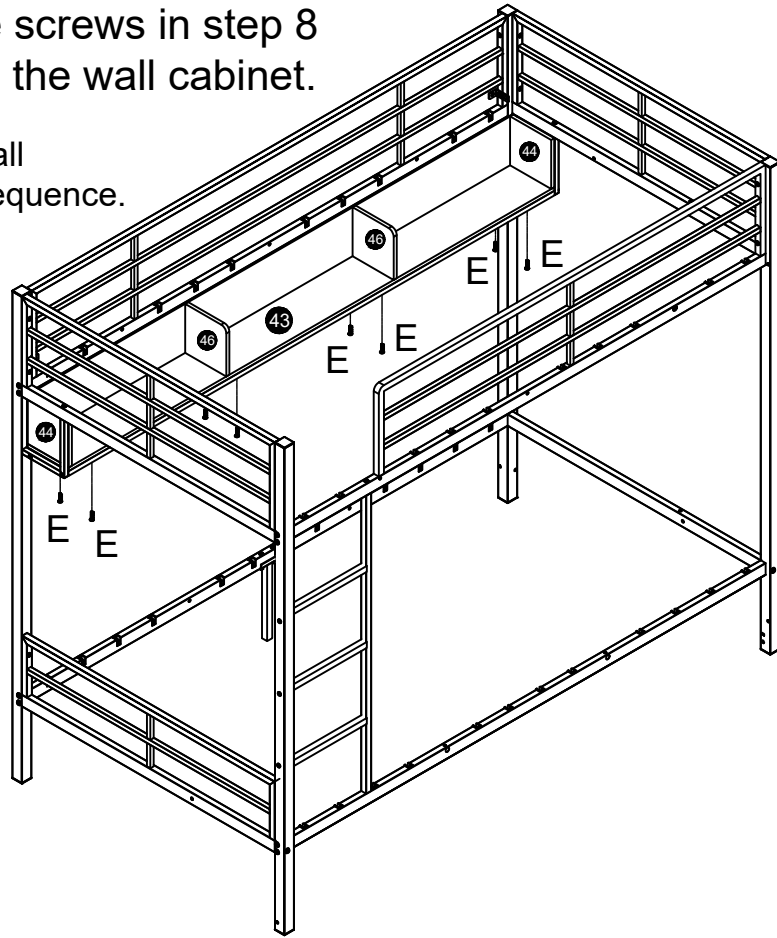
9



Do not lock the screws in step 8 when installing the wall cabinet.



Align all the holes of the wall cabinet and lock them in sequence.



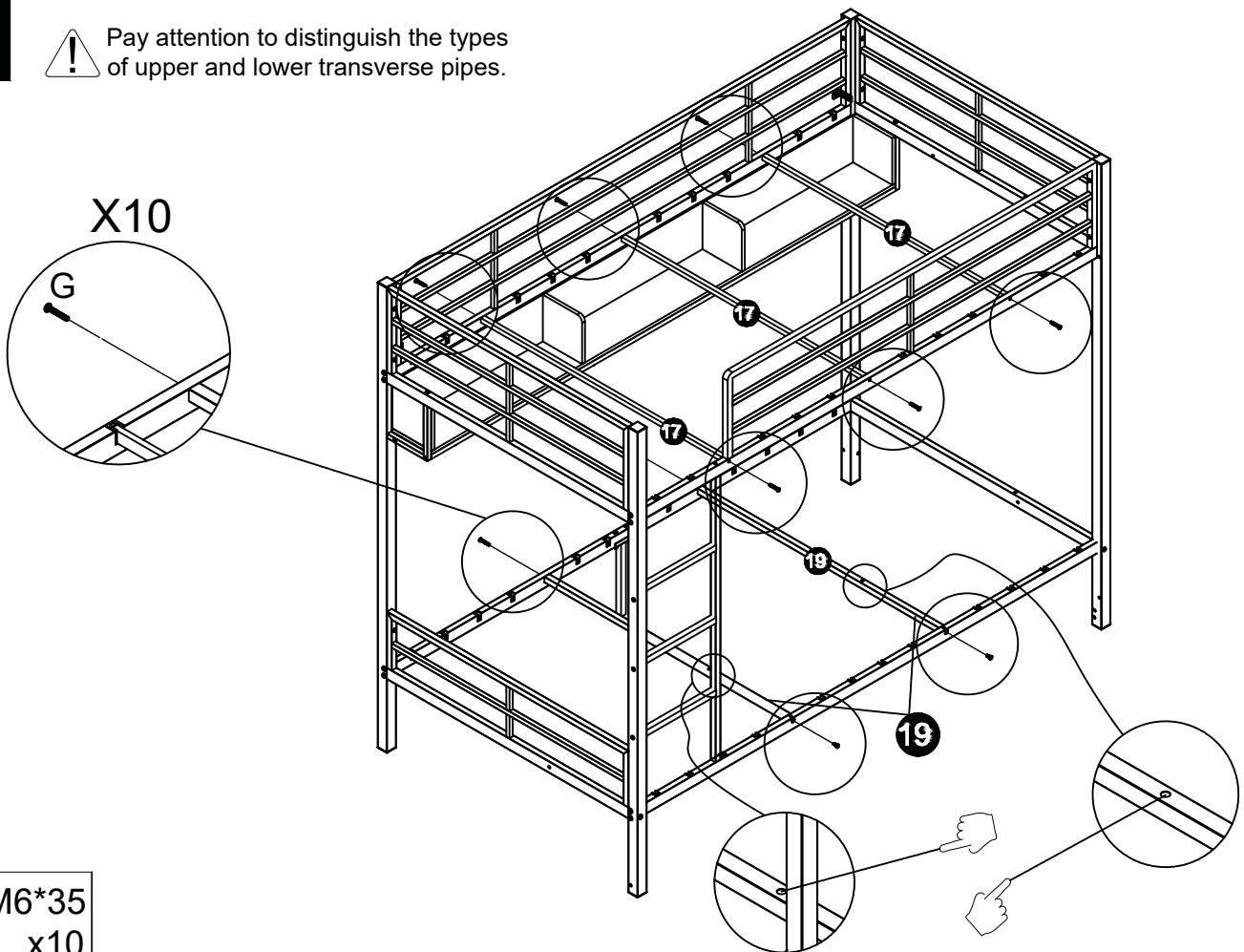
E M6\*25

x8

10



Pay attention to distinguish the types of upper and lower transverse pipes.

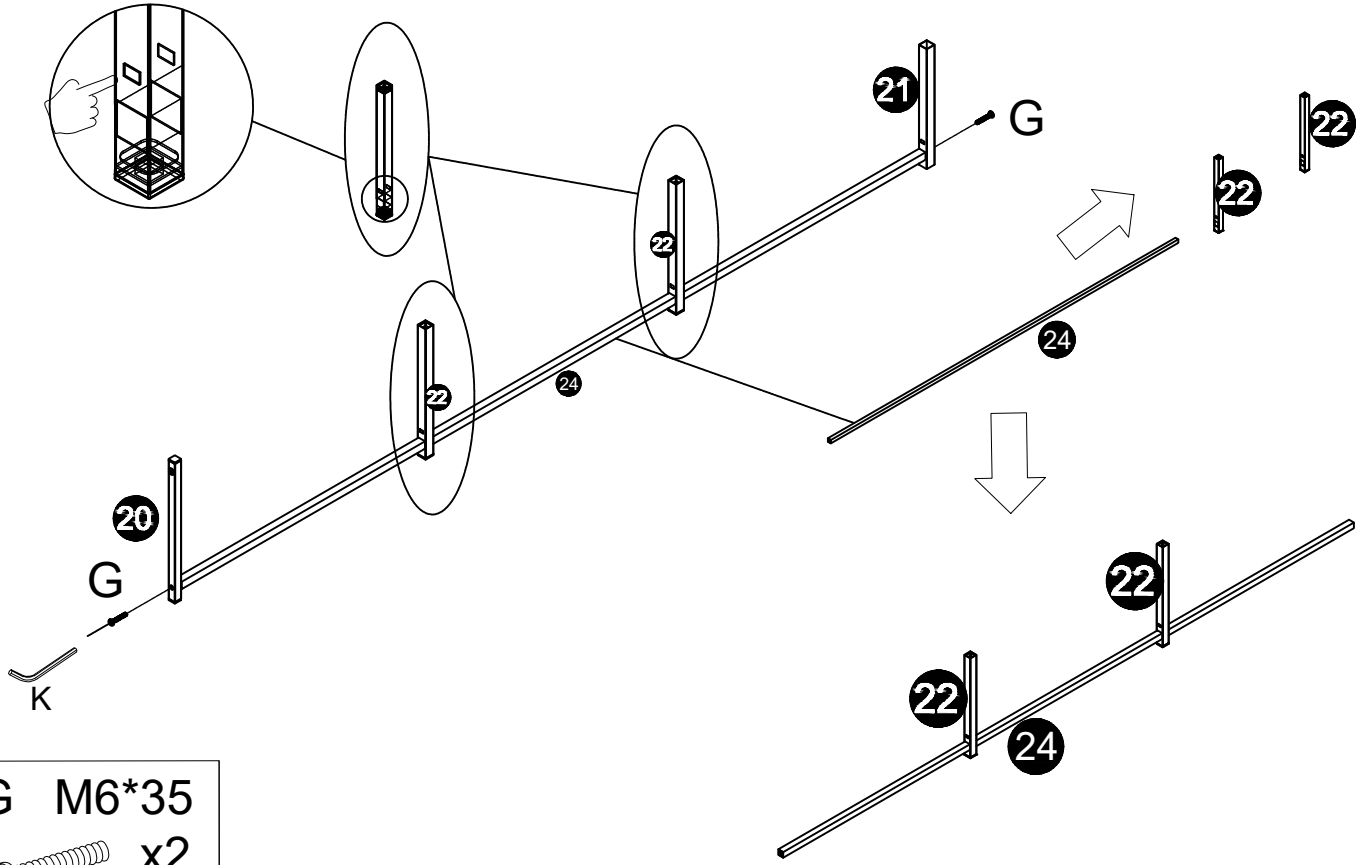


G M6\*35

x10

11

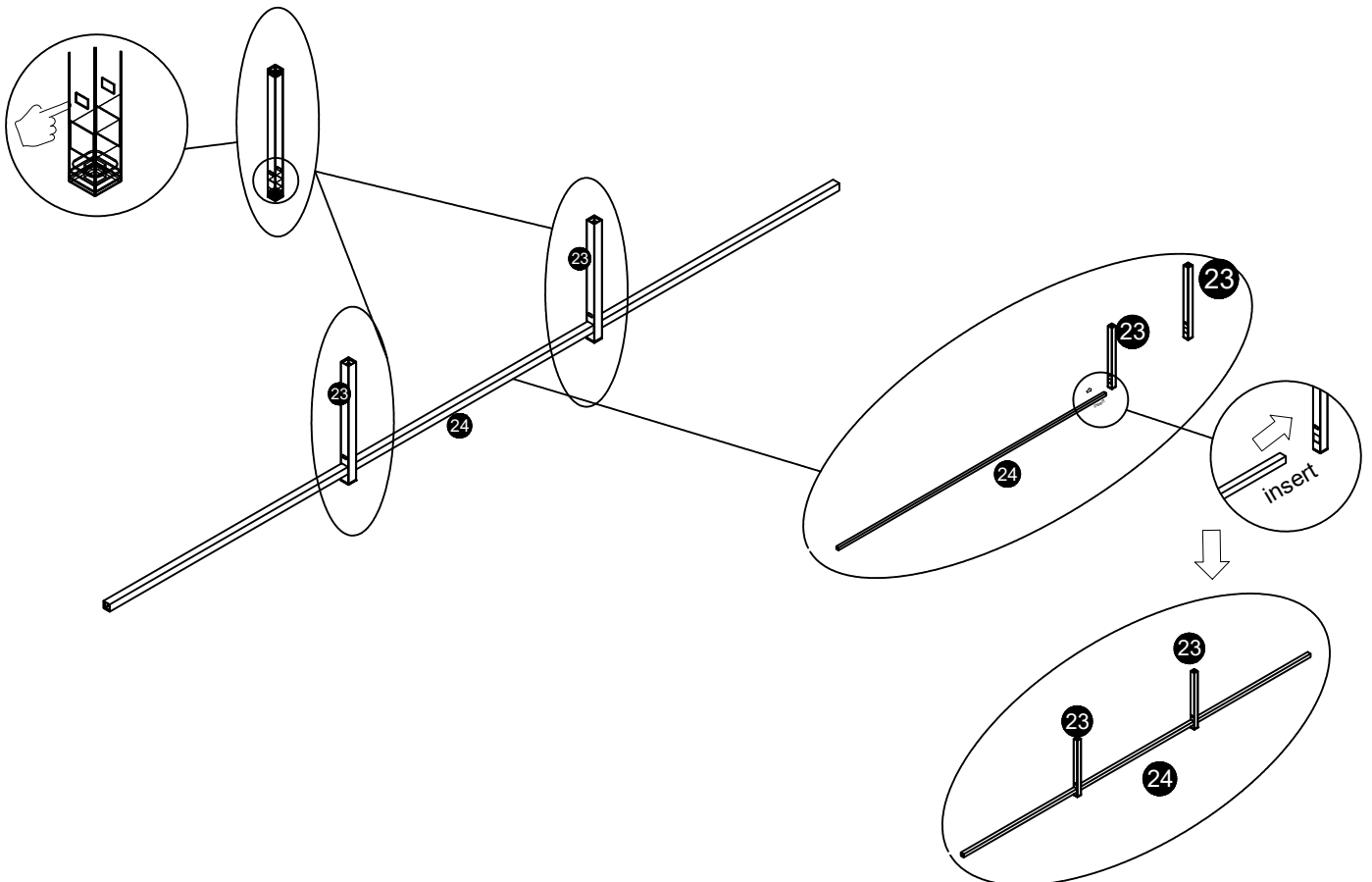
! Note that the square holes of the two tubes in the middle are through holes.



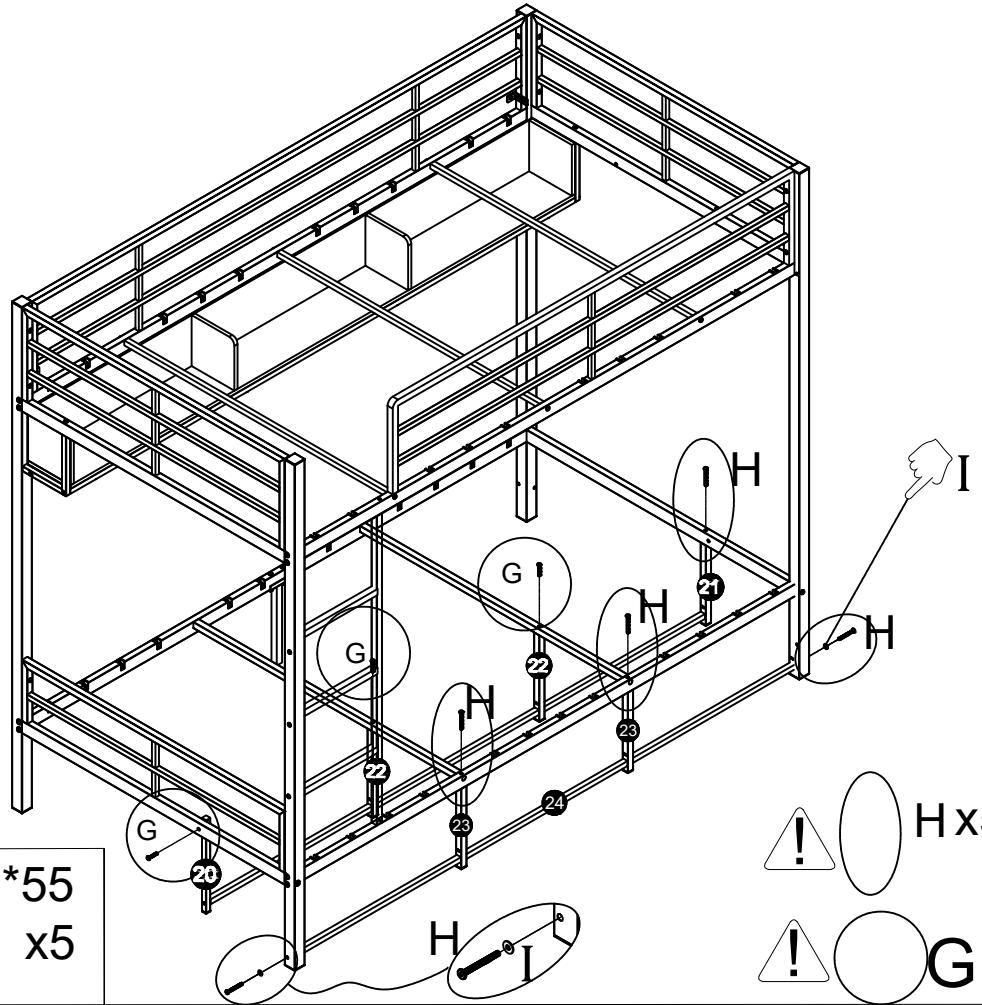
G M6\*35  
x2

12

! Note that the square holes of the two tubes in the middle are through holes.



# 13



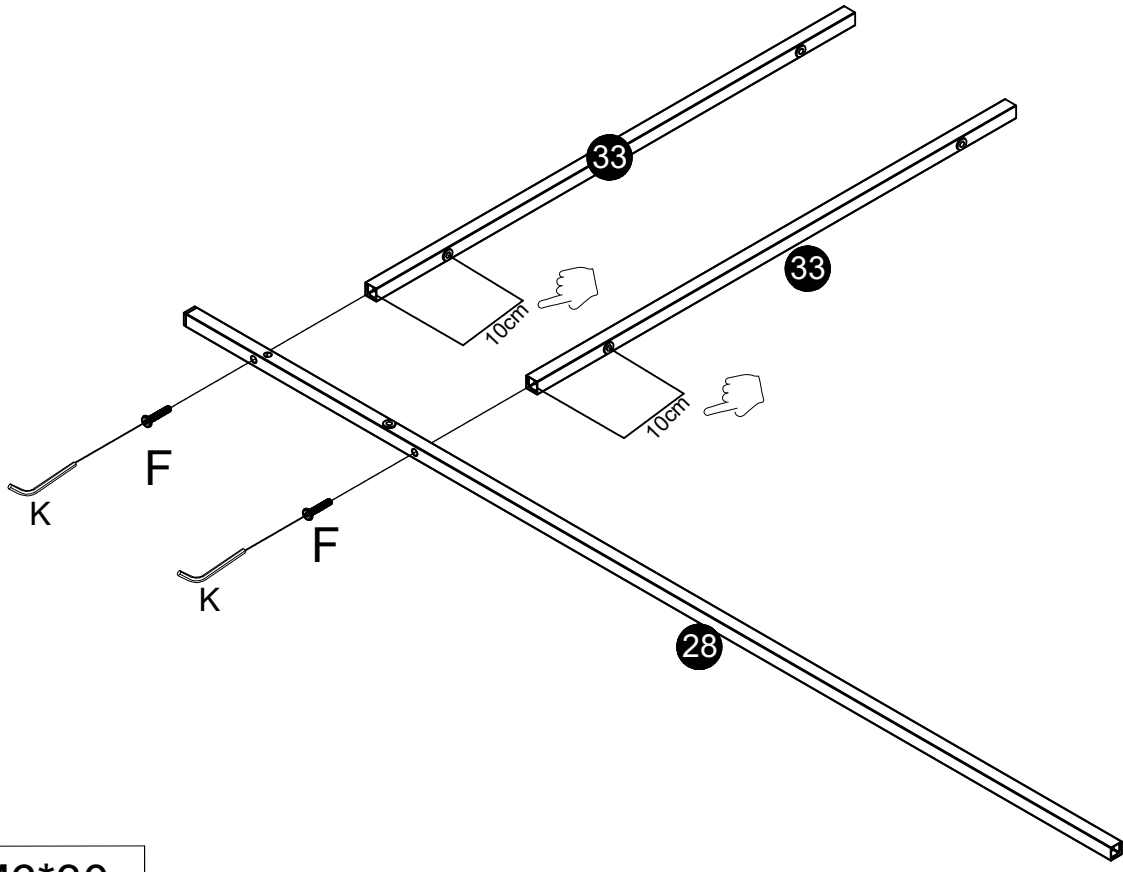
I M6 washer  
x2

G M6\*35  
x3

H M6\*55  
x5

! H x5  
! G x3

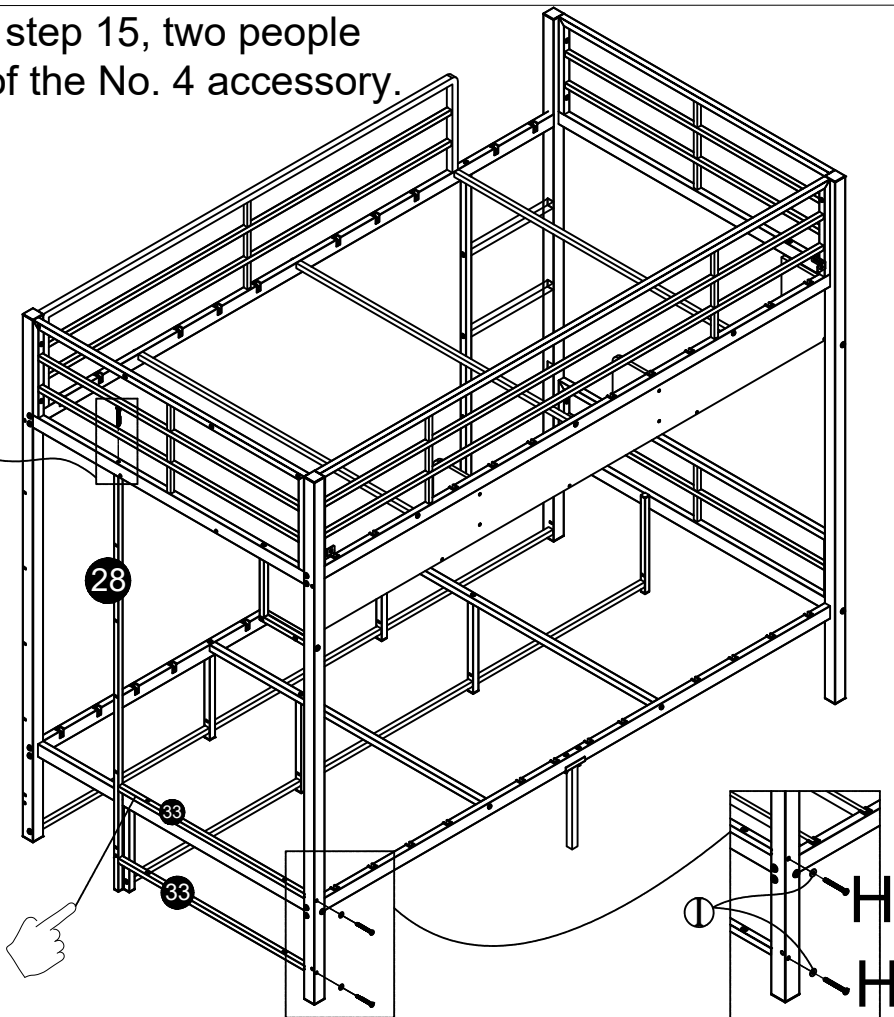
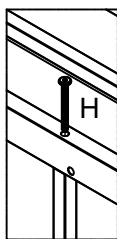
# 14



F M6\*30  
x2

15

After installing step 15, two people stand in front of the No. 4 accessory.



I M6 washer



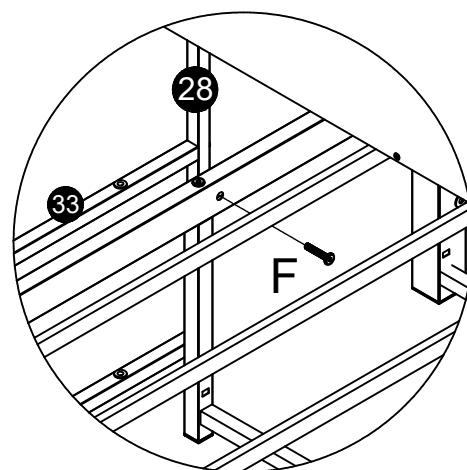
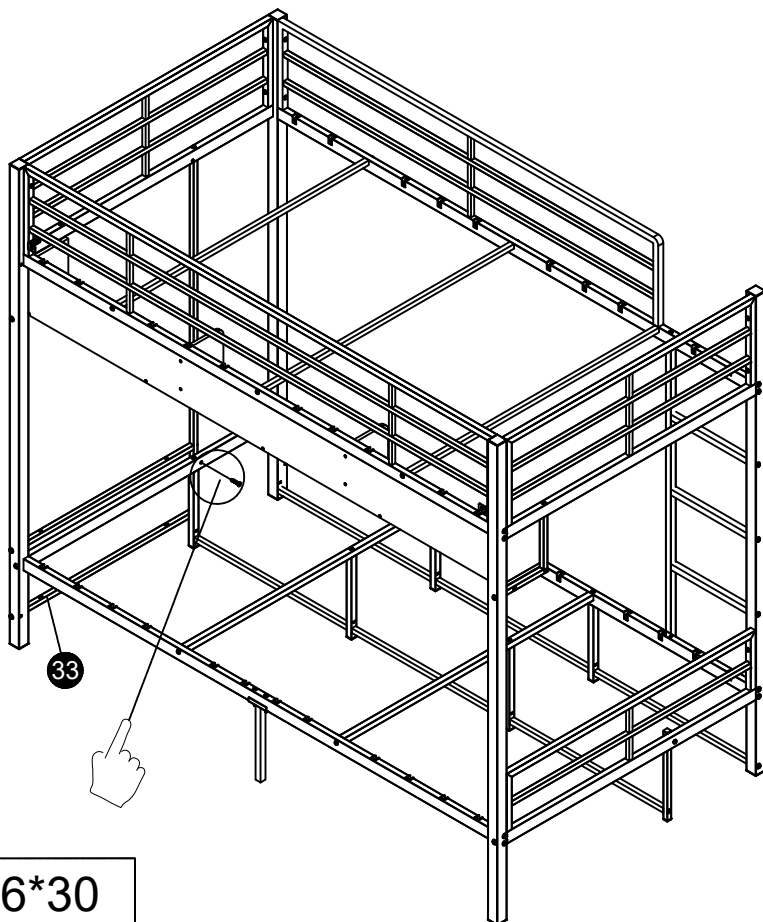
x2

H M6\*55



x3

16

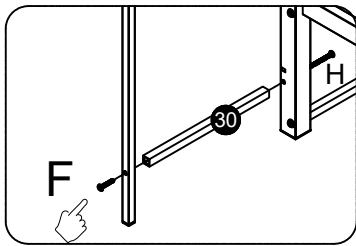


F M6\*30

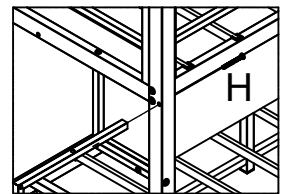
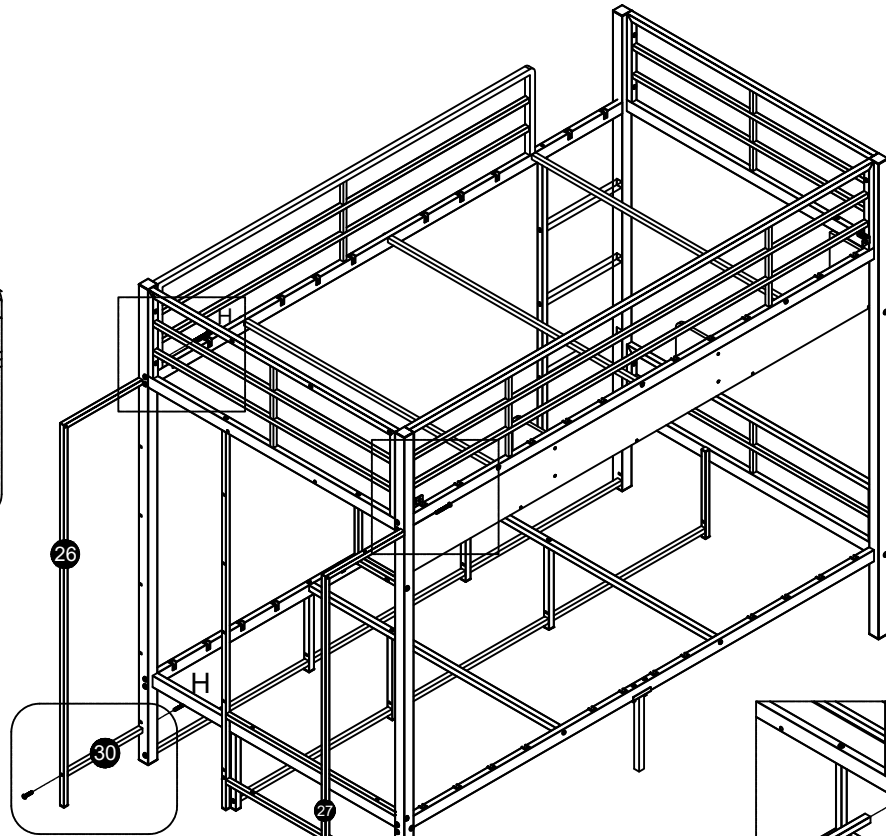


x1

17



x2



x2

F M6\*30

H M6\*55

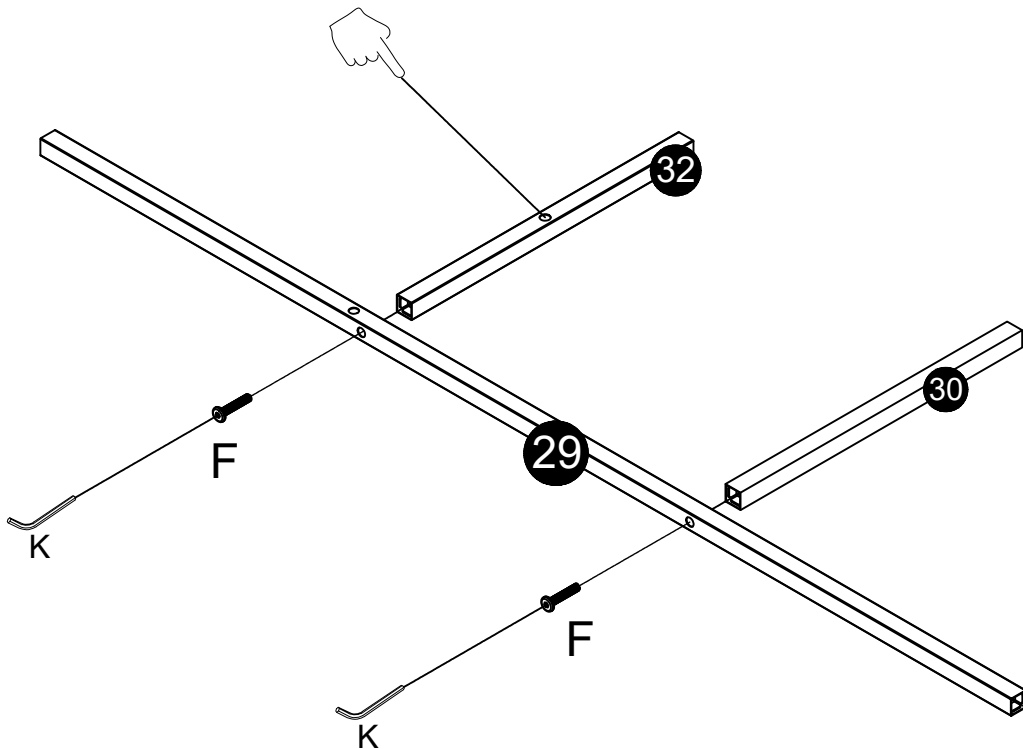


x2



x4

18

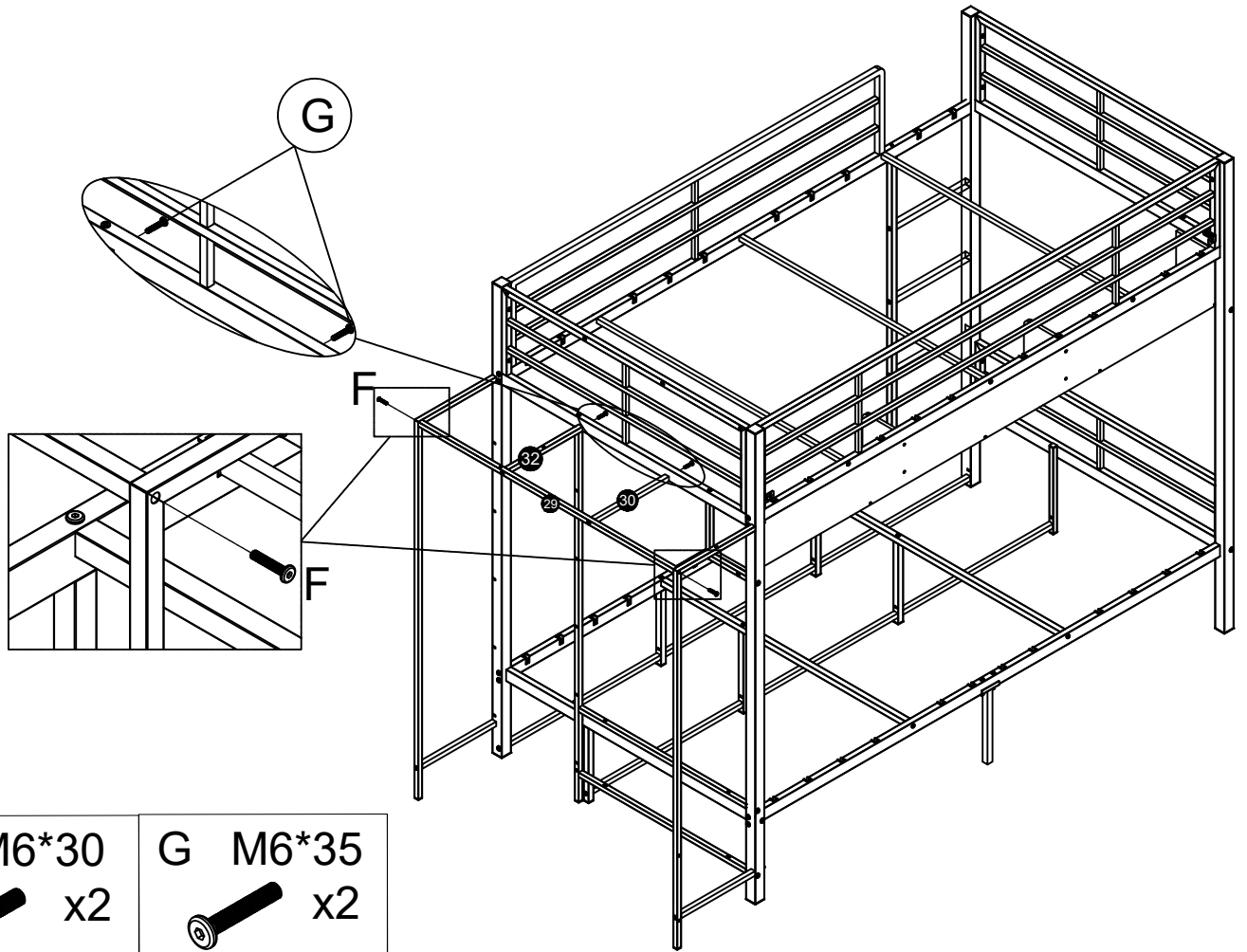


F M6\*30



x2

19



F M6\*30

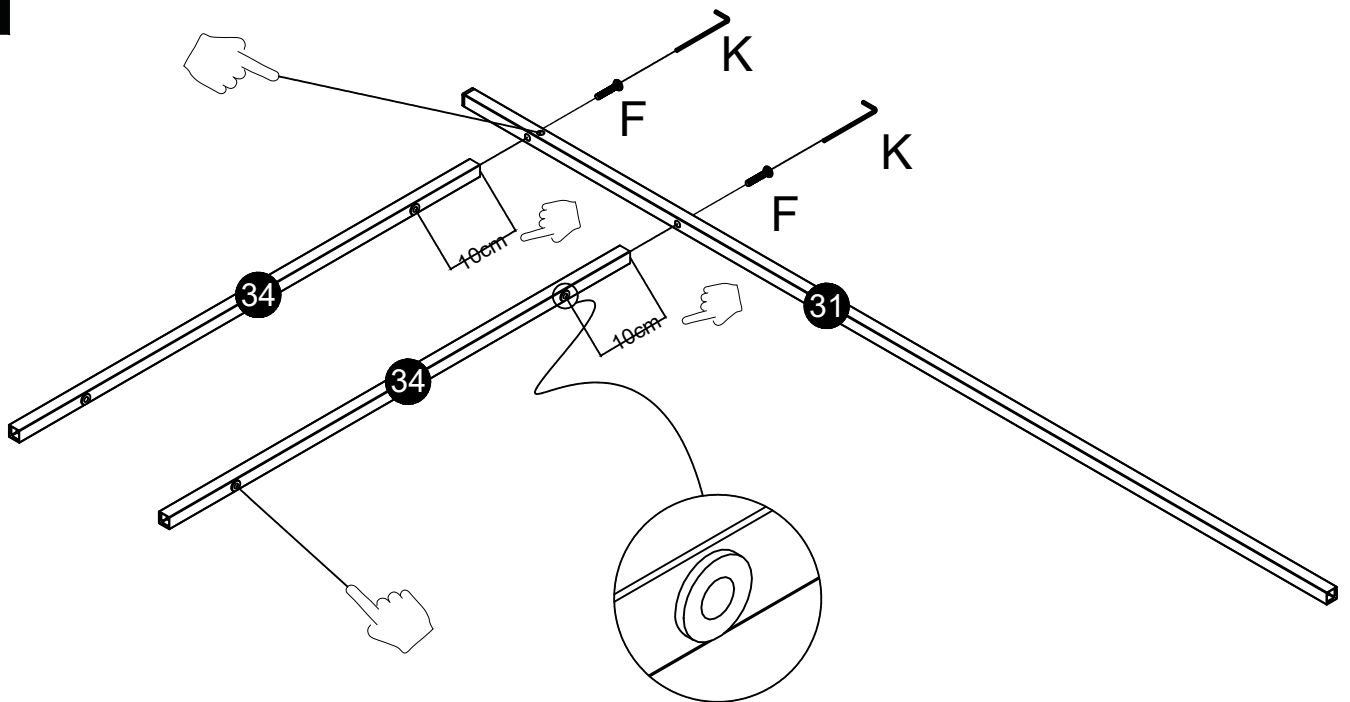
G M6\*35

x2

x2



20

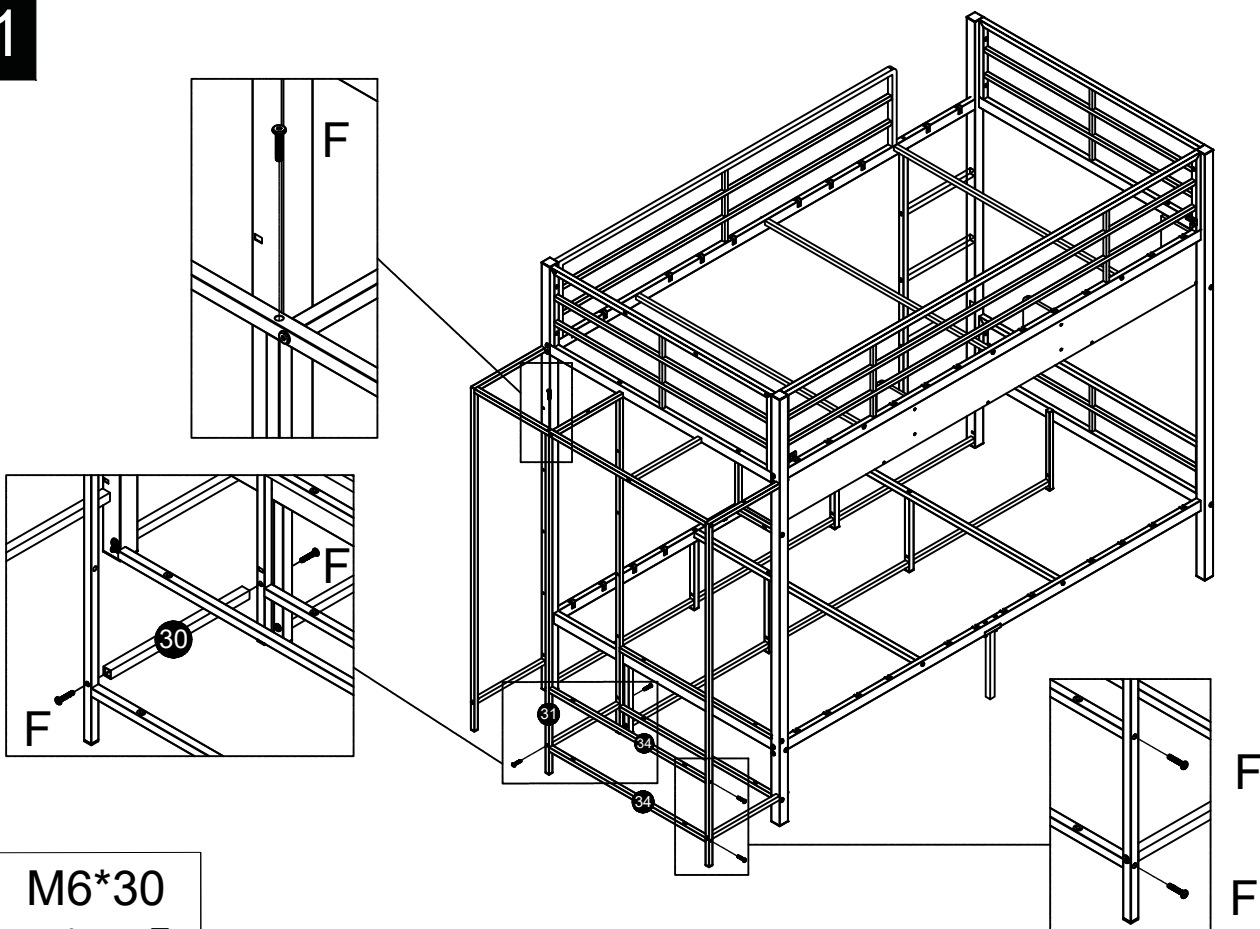


F M6\*30

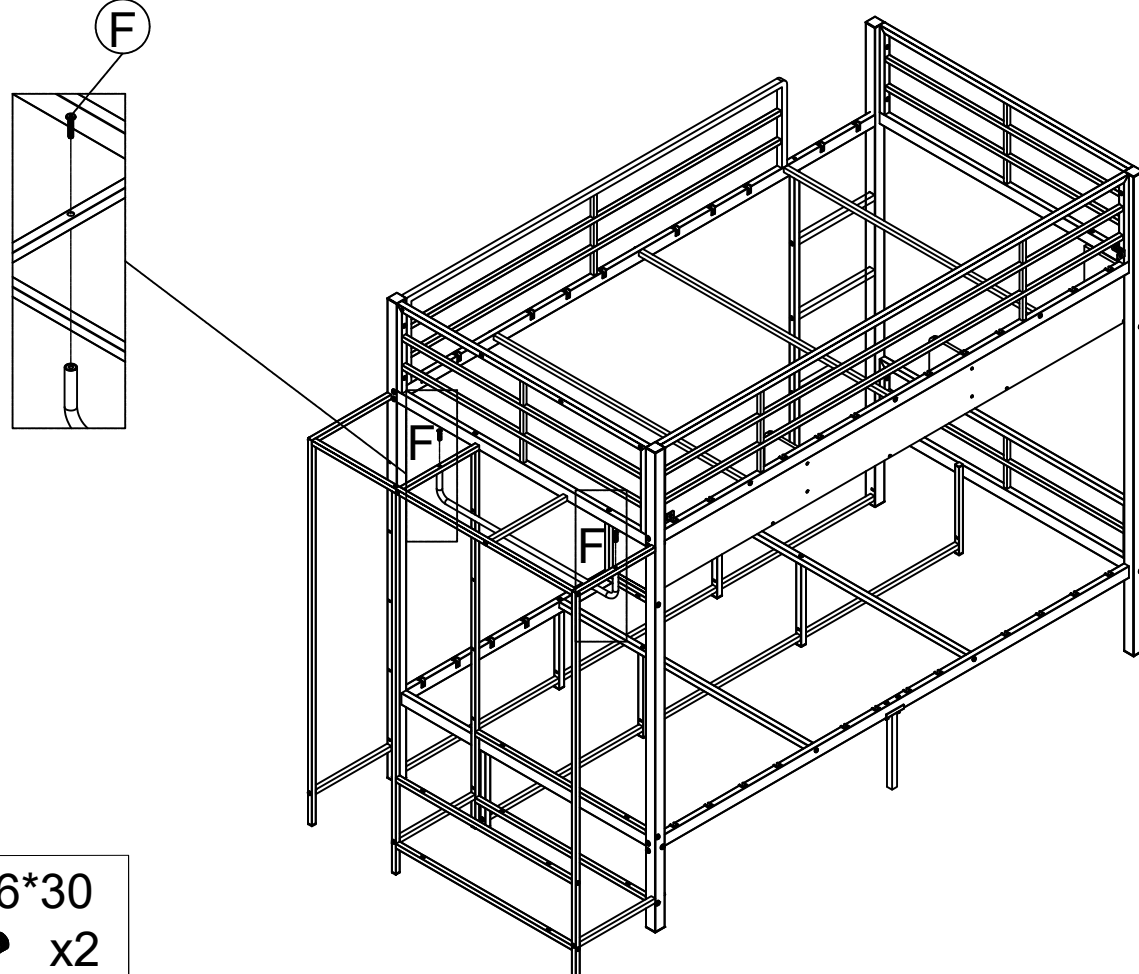
x2



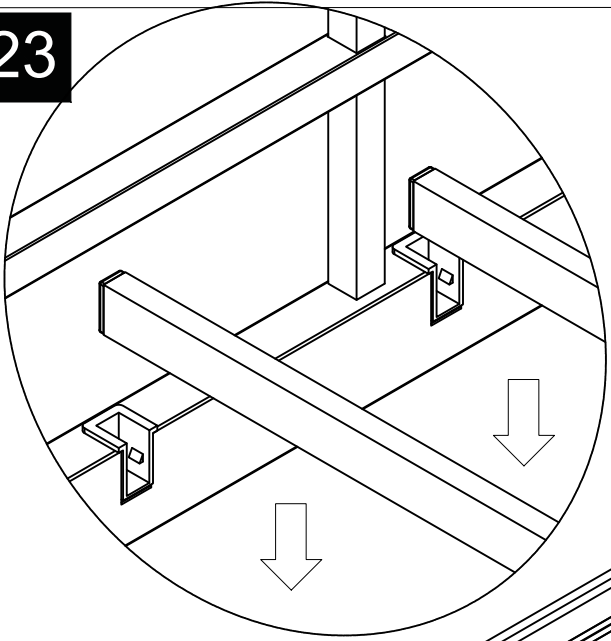
21



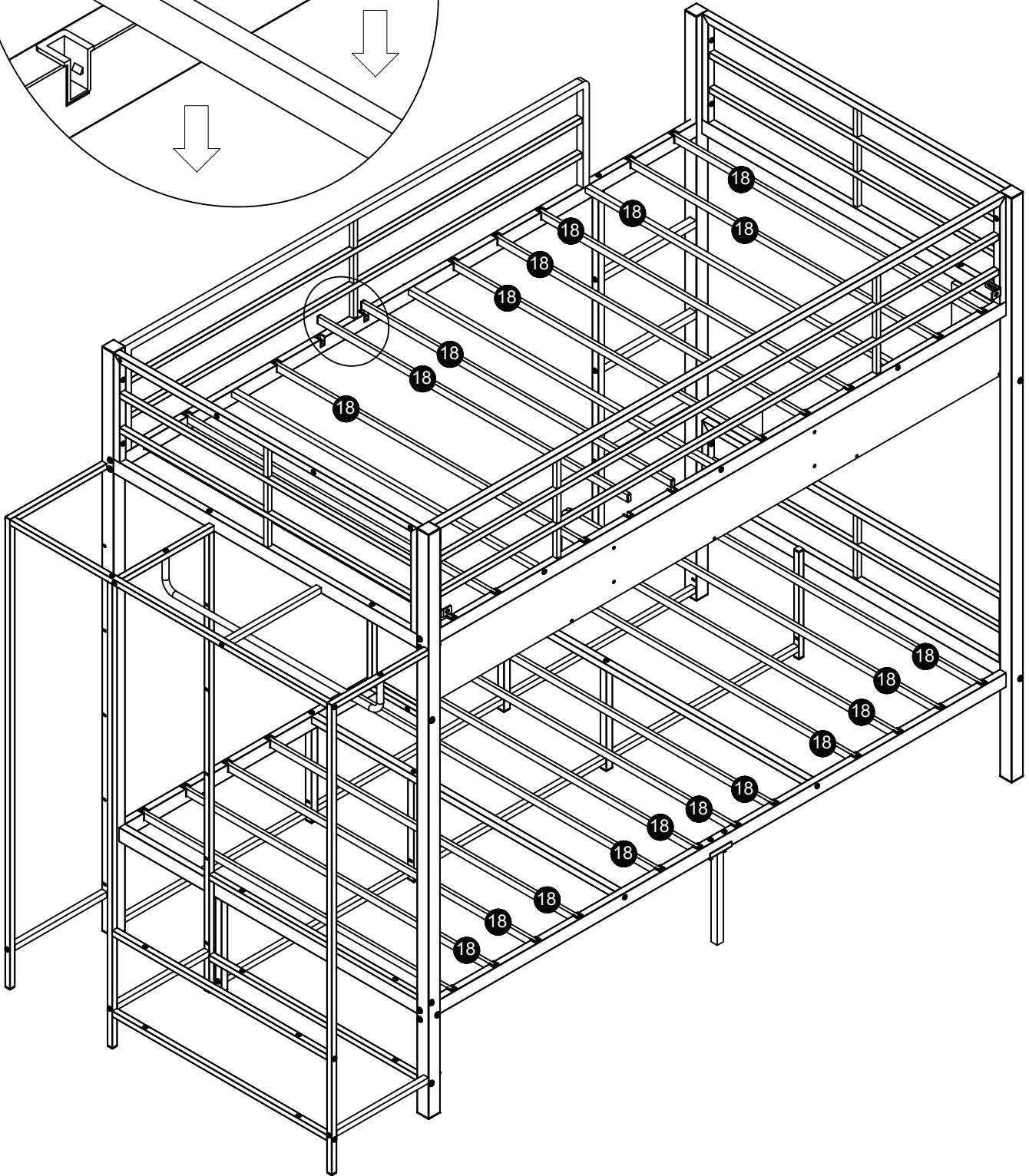
22



23

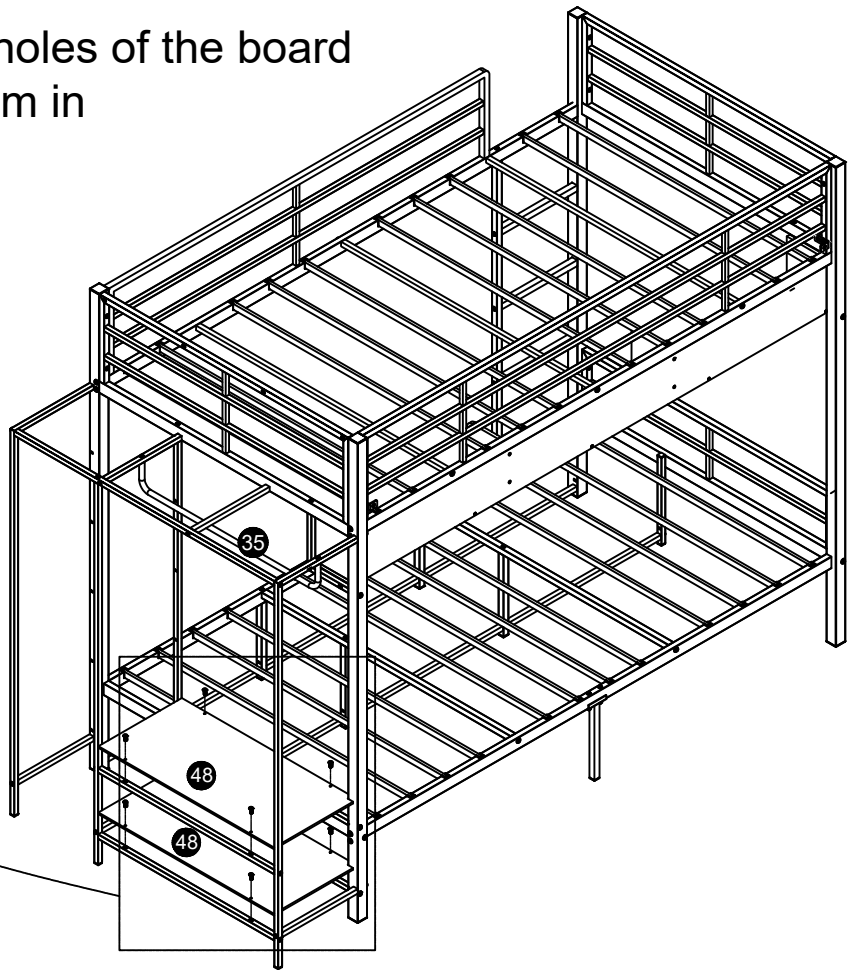
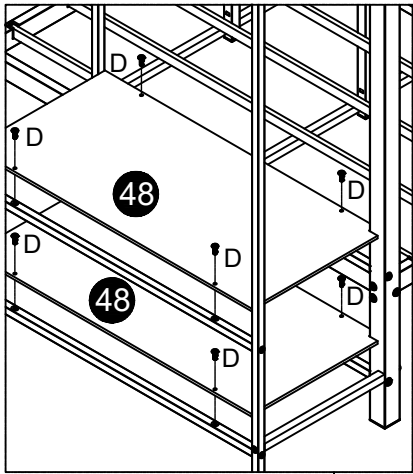


18 X22



24

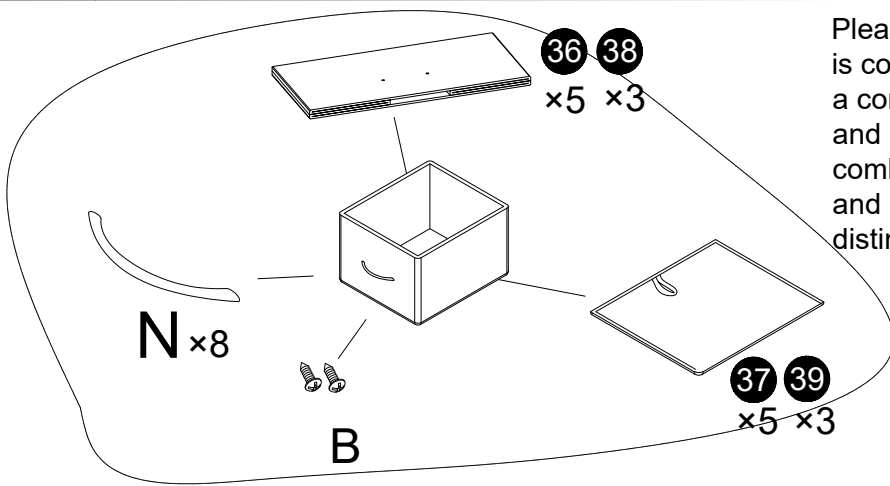
Align all the holes of the board and lock them in



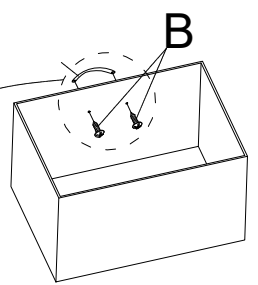
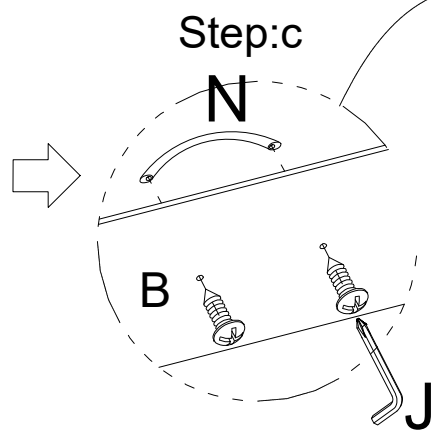
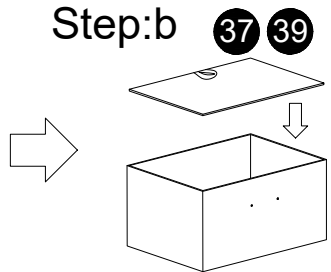
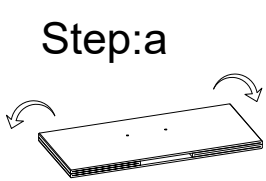
D M6\*15  
x8



25

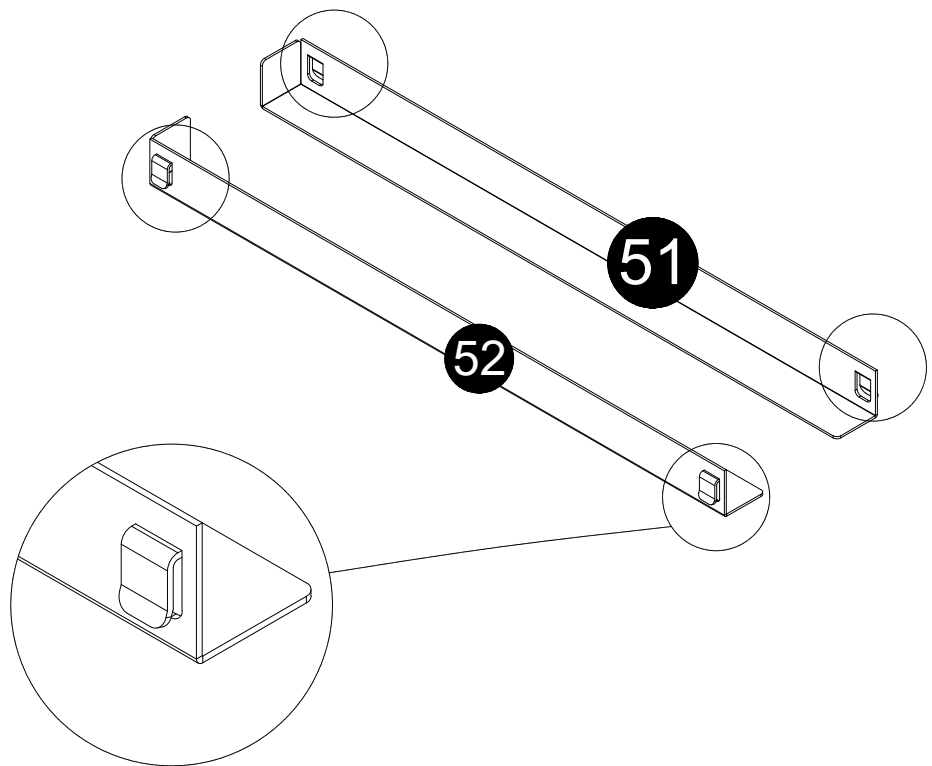


Please note that the cloth draw here is composed of two models, one is a combination of 38 and 39 and N and B, and the other is a combination of 36 and 37 and N and B. Please pay attention to the distinction.

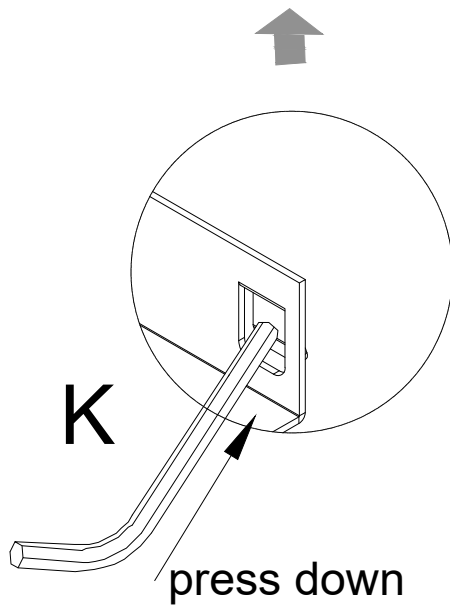


B M4\*12  
x16



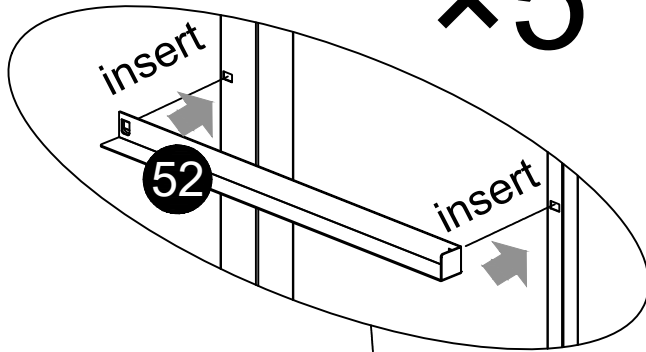


Check here before installation, if there is deformation due to squeezing, please adjust it with tools to avoid affecting normal installation.

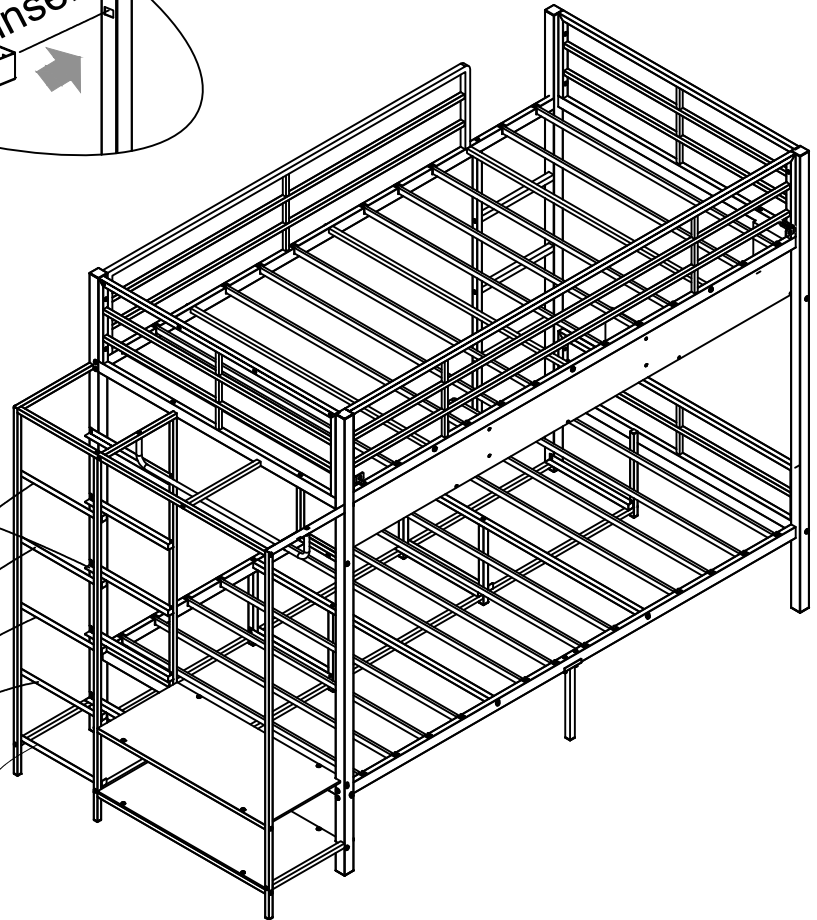


Please fine-tune in this direction to make it easier to install.

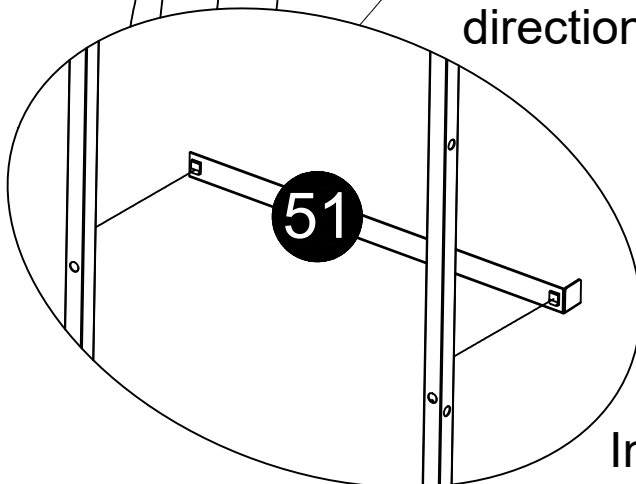
x5



Insert the square hole  
in the direction of the  
Arrow and press down



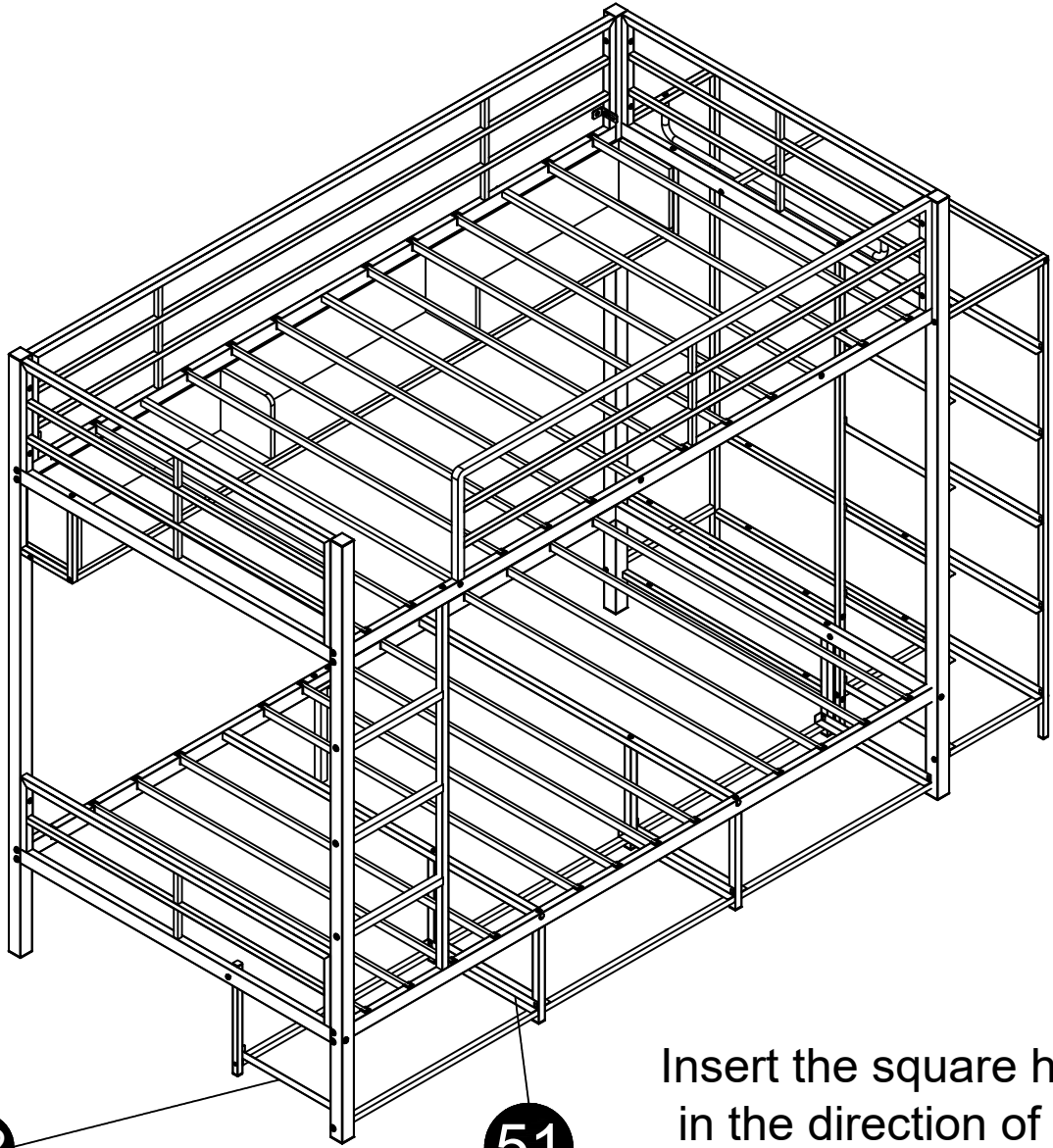
Please pay attention to the left and right  
directions.



x5

Insert the square hole  
in the direction of the  
Arrow and press down

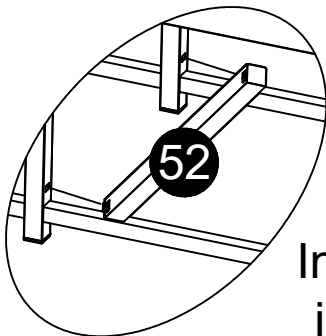
Please pay attention to the left and right directions.



52

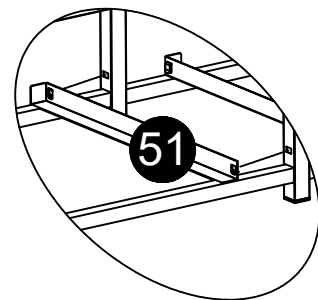
51

Insert the square hole in the direction of the Arrow and press down



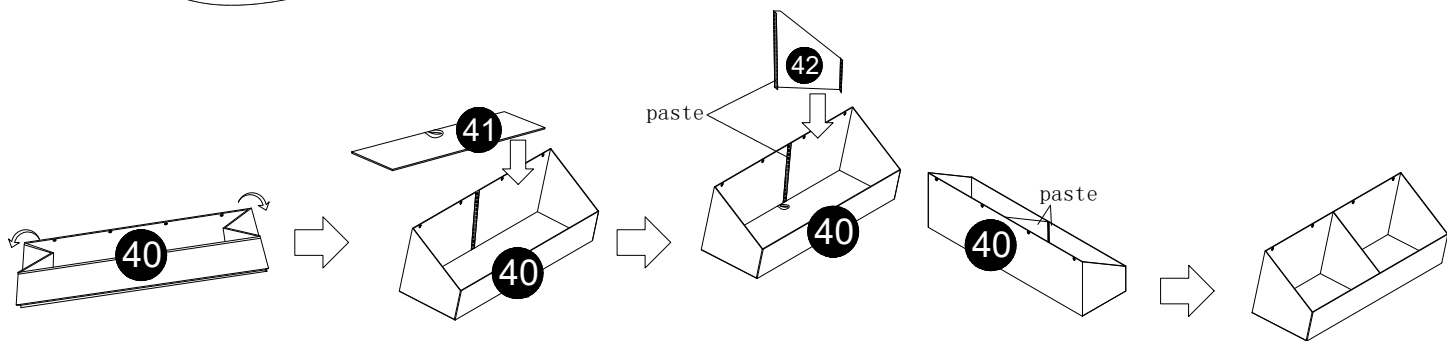
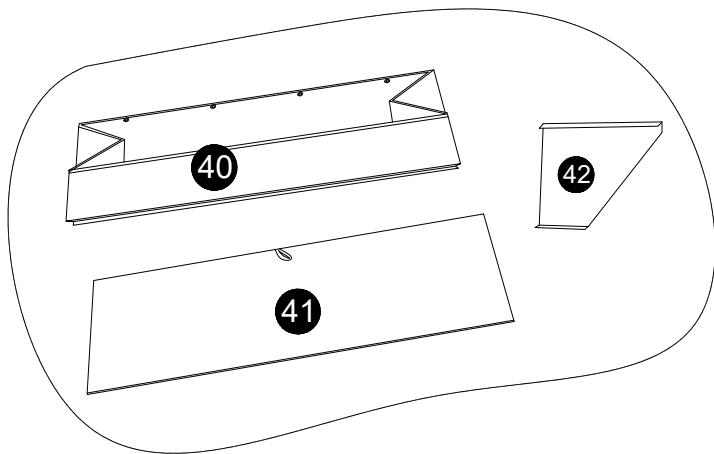
×3

Insert the square hole in the direction of the Arrow and press down

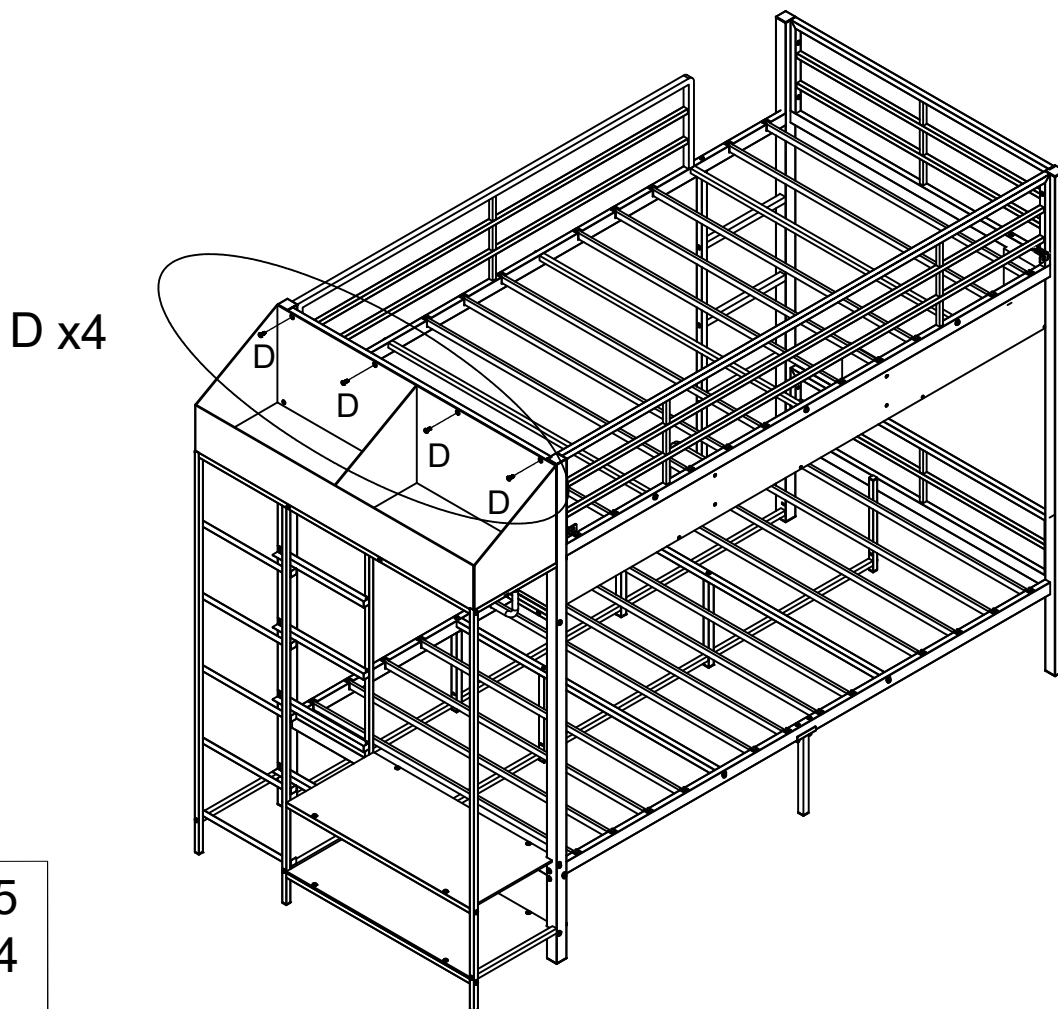


×3

29

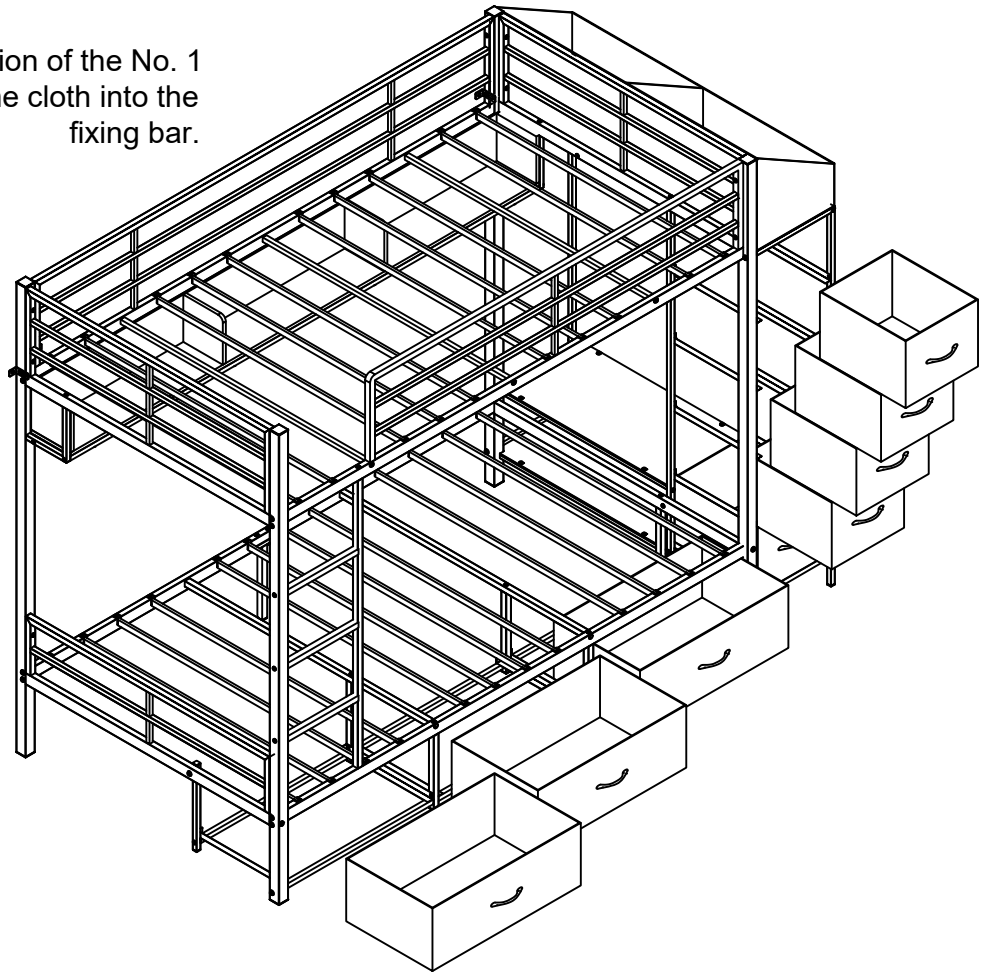


30

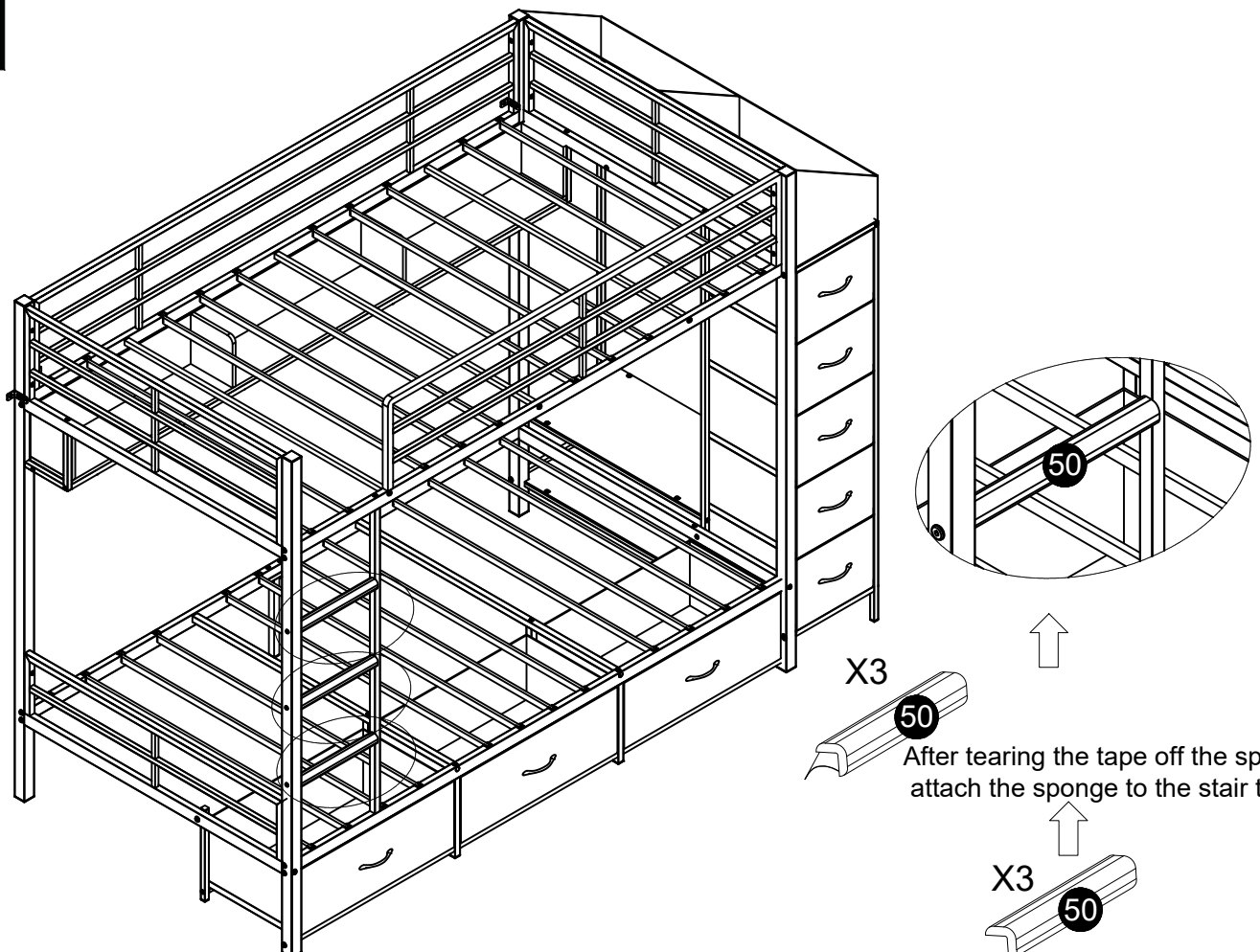


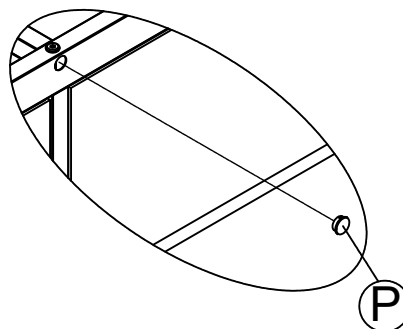
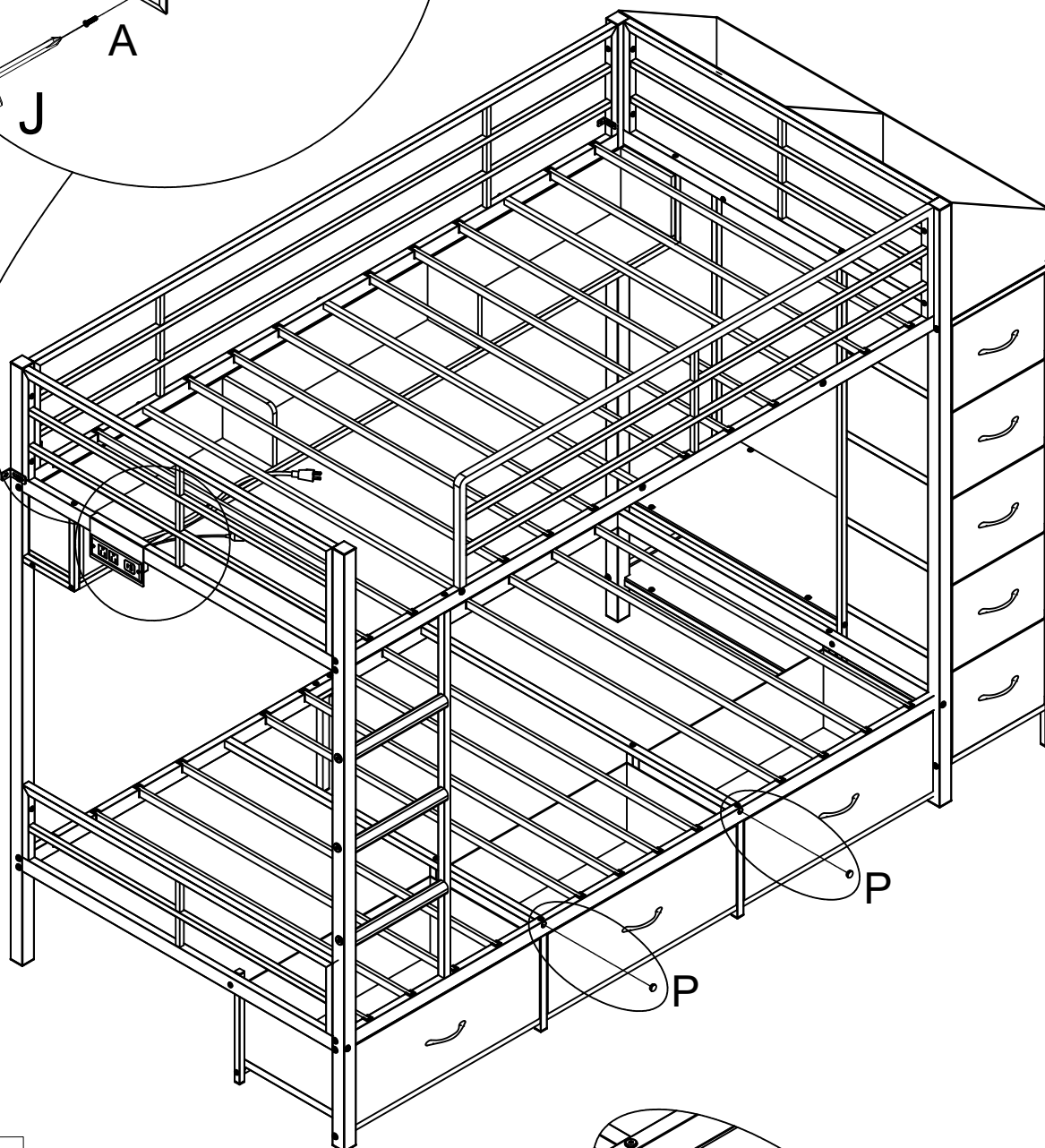
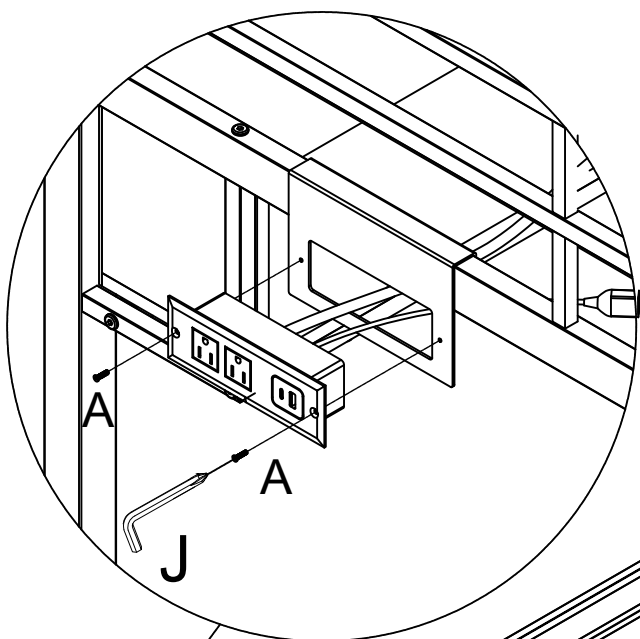
31

Stand at the position of the No. 1 column and put the cloth into the fixing bar.



32





P Ø14



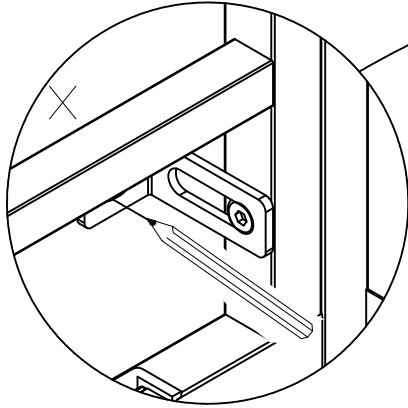
x2

A M3\*10



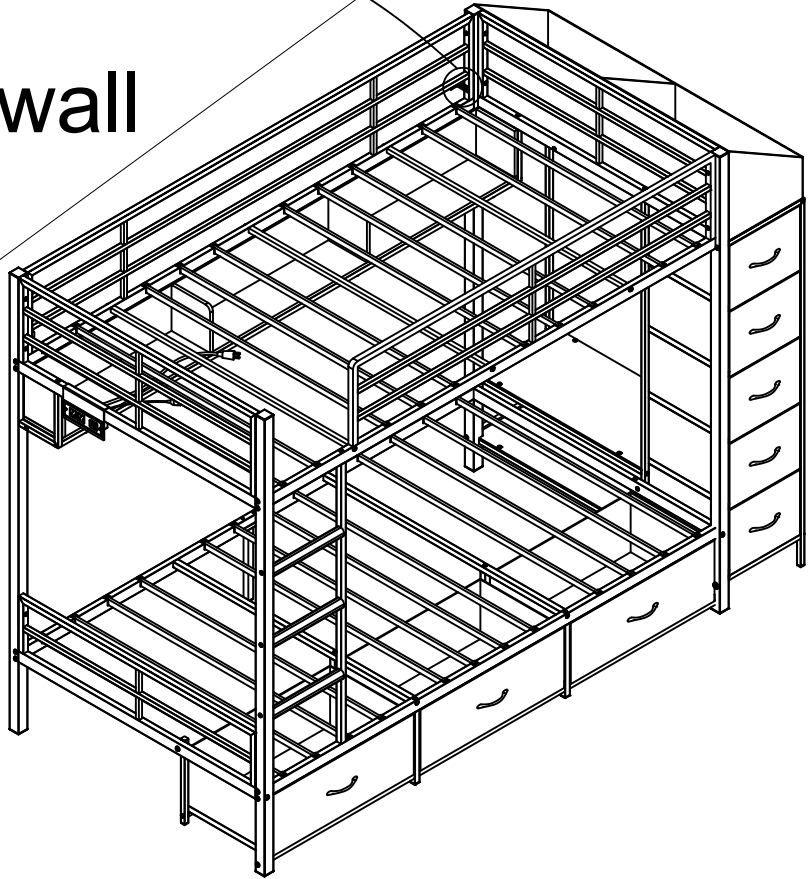
x2

## 34 Positioning

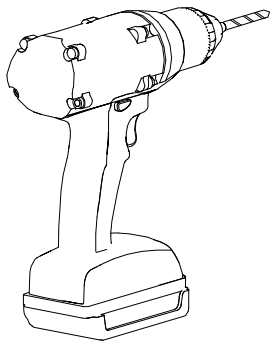


wall

wall



## 35 Drilling

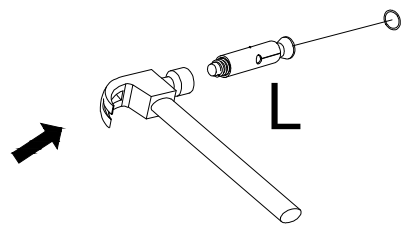
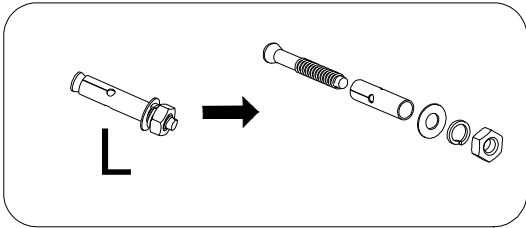


10mm

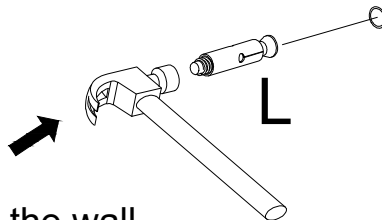
10mm

wall

wall



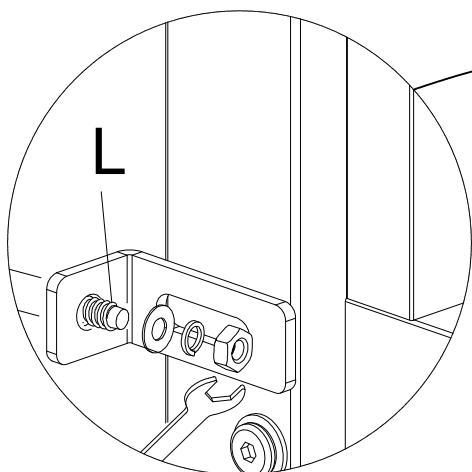
L



L

wall

Please lock the expansion screw onto the wall.

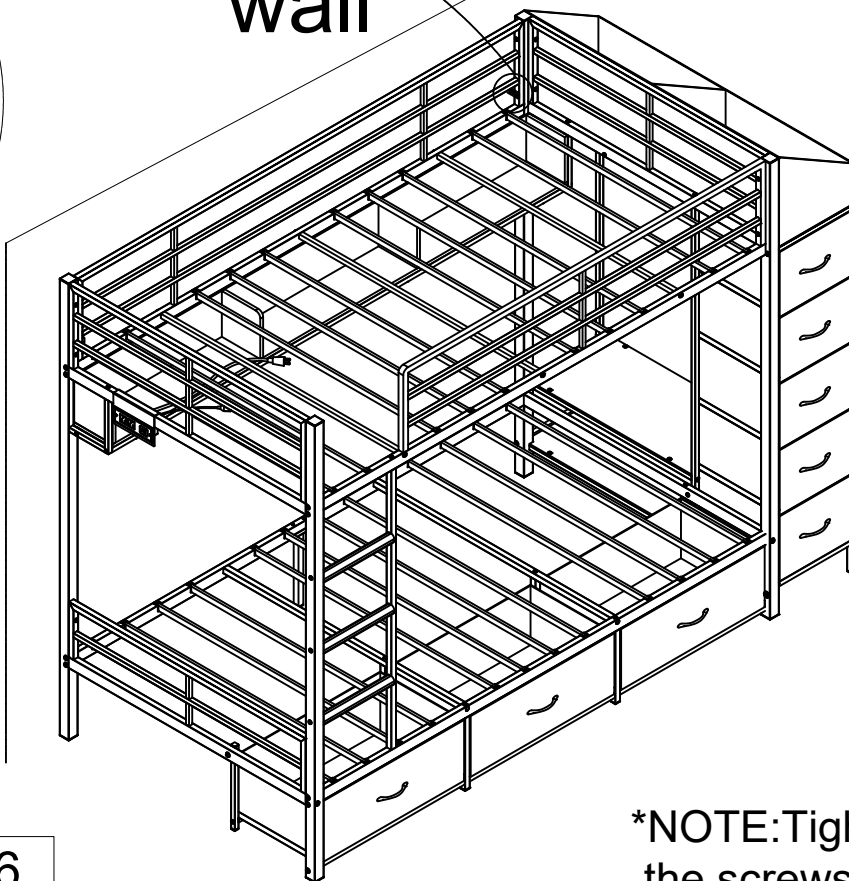


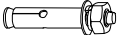

L

wall

X2

wall



L	M6	M	M6
	X2		X1

\*NOTE: Tighten the screws that were not tightened before.