

ART *in* FURNITURE

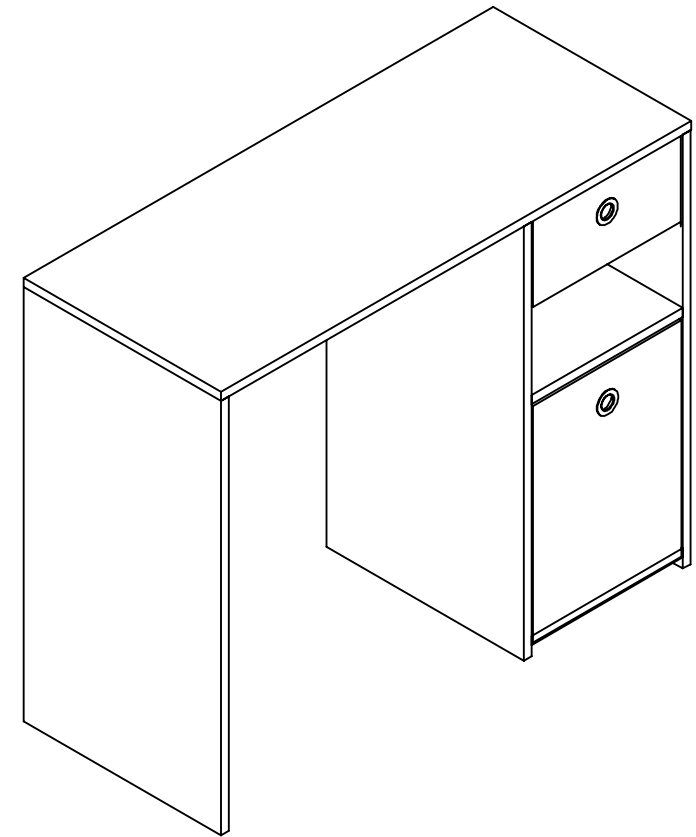
"Creative Solutions for Your Home"

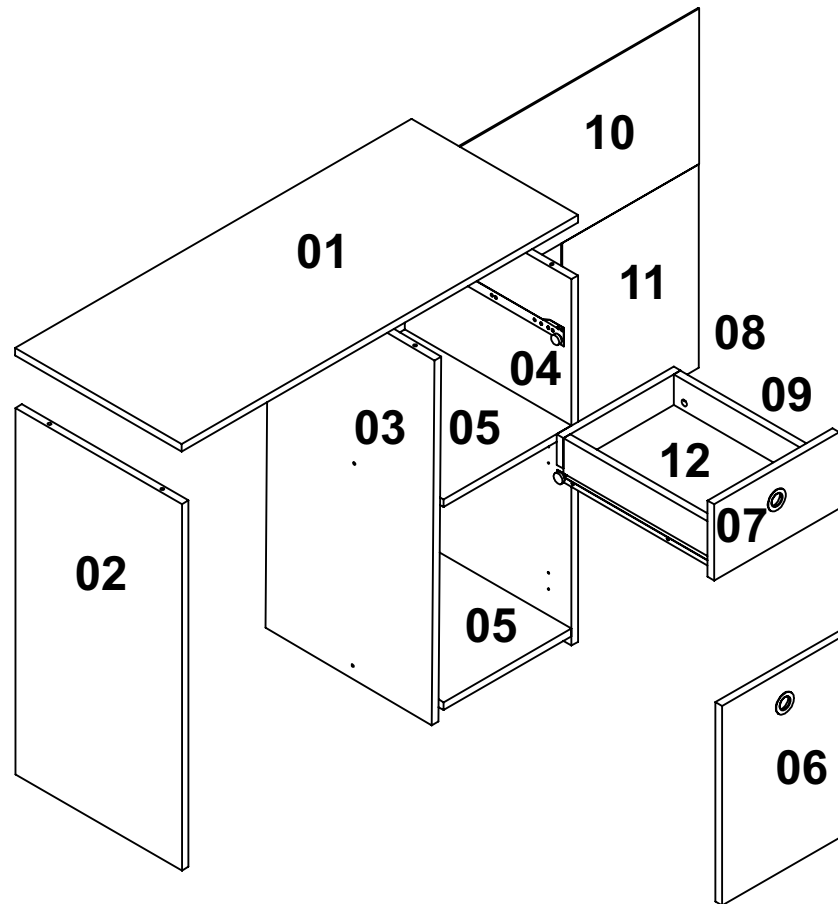


Thank you for choosing Art in Furniture!

We're thrilled to have you as a customer and to be part of your home.
Your trust means the world to us, and we hope you'll think of us for future home furnishing needs.
Your feedback is incredibly valuable as we continue to design products that bring your dreams to life.
Visit: <https://artinmoveis.com.br/en/home-english/> to share your experience with us!

WRITING DESK COIMBRA








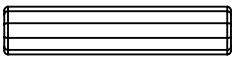


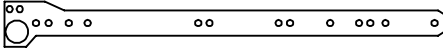
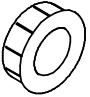

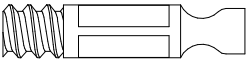




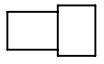
| COD | DESCRIPTION | DIMENSIONS | QTY |
|-----|----------------------|------------------------|-----|
| 01 | TOP | 35 3/8"x 14 7/8"x 5/8" | 01 |
| 02 | LEFT SIDE | 28 3/8"x 14 7/8"x 5/8" | 01 |
| 03 | CENTRAL SIDE | 28 3/8"x 14 7/8"x 5/8" | 01 |
| 04 | RIGHT SIDE | 28 3/8"x 14 7/8"x 5/8" | 01 |
| 05 | SHELF | 14 7/8"x 11 3/8"x 5/8" | 02 |
| 06 | DOOR | 14 7/8"x 11 1/4"x 5/8" | 01 |
| 07 | FRONT OF THE DRAWER | 11 1/4"x 5 1/2"x 5/8" | 01 |
| 08 | BACK OF THE DRAWER | 10 1/2"x 2 3/8"x 5/8" | 01 |
| 09 | SIDE OF THE DRAWER | 13 1/4"x 3 3/8"x 5/8" | 02 |
| 10 | BACK | 35"x 12"x 1/8" | 01 |
| 11 | BACK | 15 3/4"x 12 1/4"x 1/8" | 01 |
| 12 | BOTTOM OF THE DRAWER | 13 7/8"x 9 3/4"x 1/8" | 01 |

IMPORTANT: PLEASE READ THE INSTRUCTIONS CAREFULLY BEFORE ASSEMBLY.

NECESSARY TOOLS:



| | | | |
|---|---|------------------|----|
| A |  | FOOT | 06 |
| B |  | SCREW Ø3,5X14 CC | 18 |
| C |  | SCREW Ø3,5X40 CC | 04 |
| D |  | STICKER 12MM | 04 |
| E |  | NAIL 10X10 | 38 |
| F |  | WOOD DOWEL Ø6X30 | 18 |

| | | | |
|---|---|----------------|----|
| G |  | SLIDE 350 MM | 01 |
| H |  | PULL | 02 |
| I |  | GLUE | 01 |
| J |  | SCREW MINIFIX | 04 |
| K |  | MINIFIX DRUM | 04 |
| L |  | SCREW Ø6x10 CC | 04 |
| M |  | CORNER 18X18 | 03 |
| N |  | HINGE Ø26x12 | 02 |
| O |  | SHELF SUPPORT | 01 |

RECOMMENDATIONS:

- 01 – Carefully check all parts before starting assembly.
- 02 – We strongly recommend assembling this product by following the steps provided in this Instruction Manual.
- 03 – It is the assembler's responsibility to ensure that the furniture is properly assembled according to the instructions.
- 04 – Make sure all bolts, nuts, and screws are securely fastened, but be careful not to overtighten them.

CLEANING:

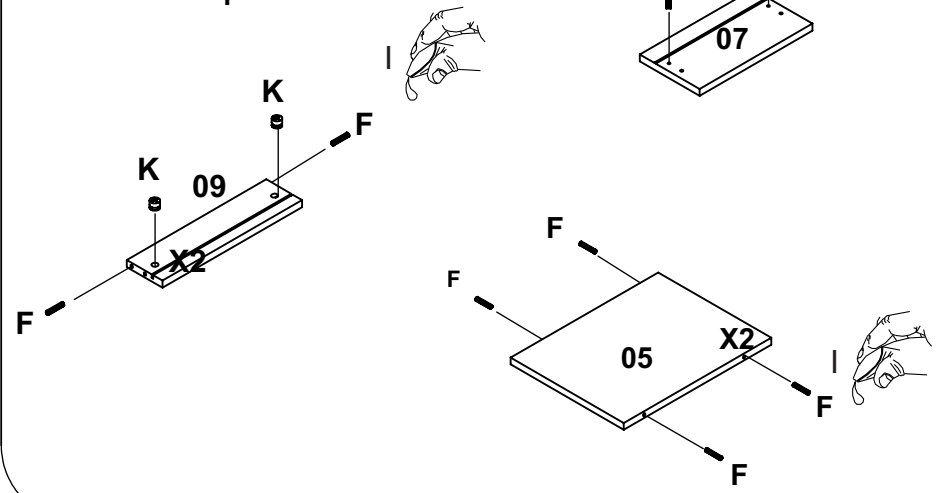
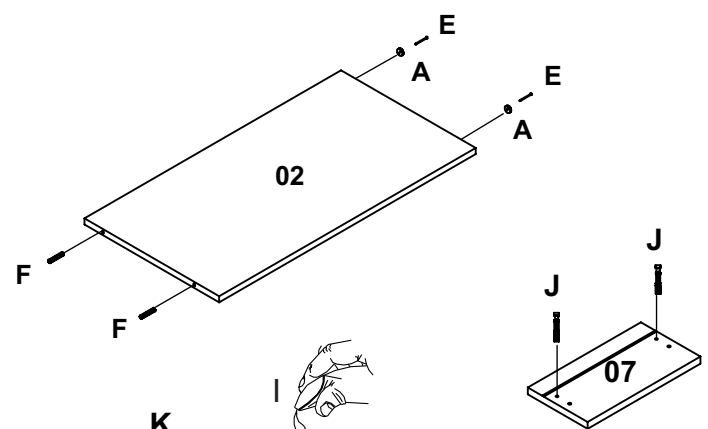
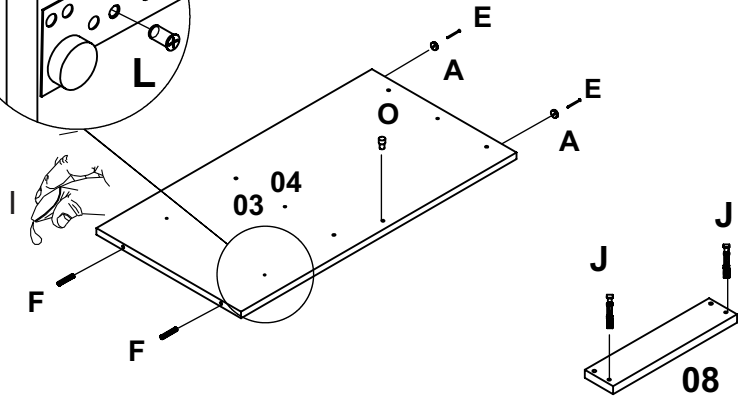
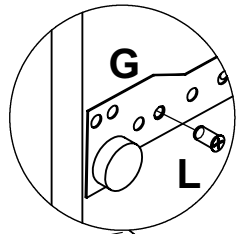
- 01 – Wipe with a cloth slightly dampened with water.
- 02 – Avoid using chemicals or abrasive cleaners.

WARNINGS:

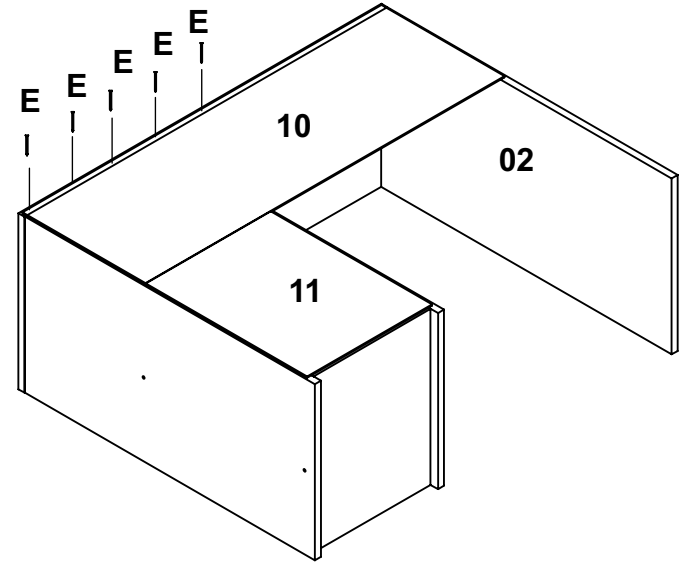
- 01 - Keep the product away from open flames and other heat sources, such as electric or gas heaters.
- 02 - Do not use the product if any parts are broken, torn, or missing. Only use manufacturer-approved replacement parts.

01

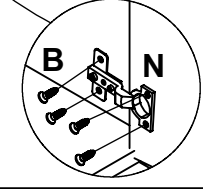
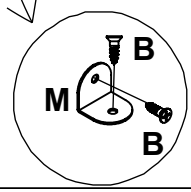
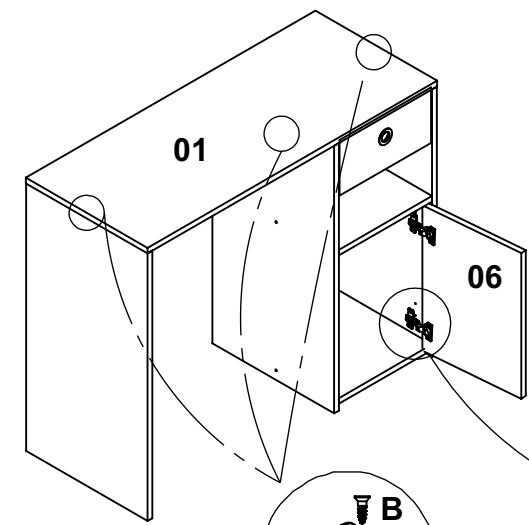
PLACE GLUE "I" ON DOWELS "F".



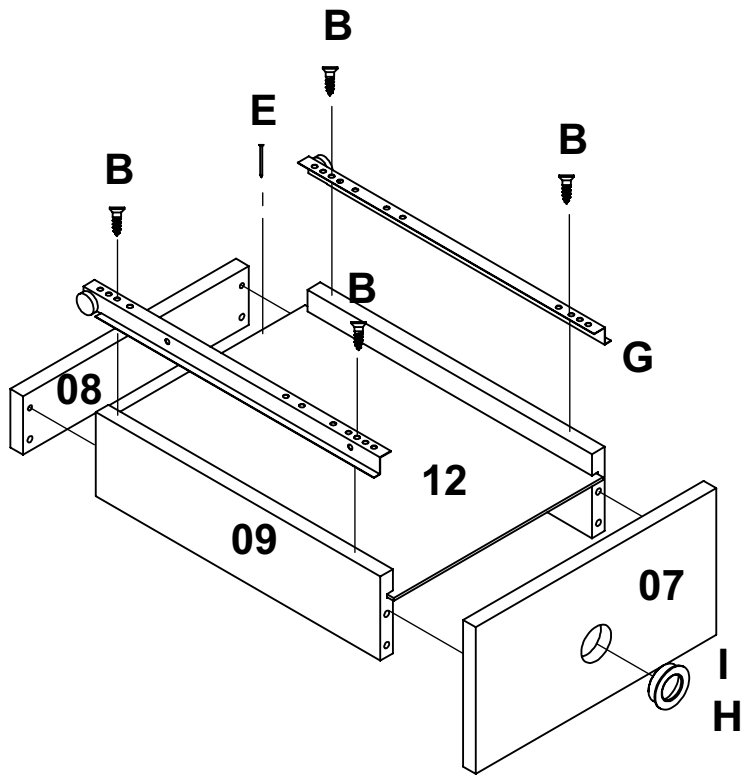
02



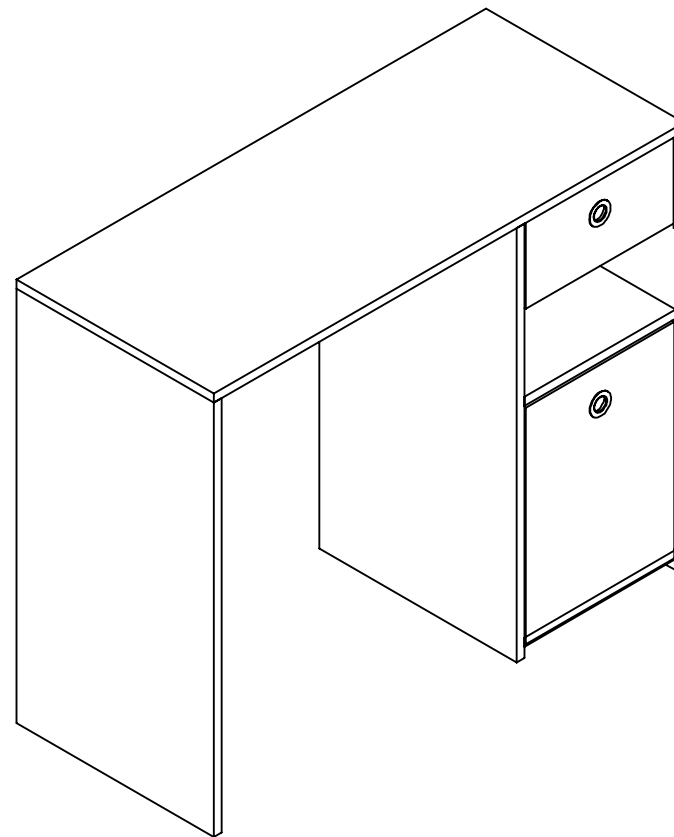
03



04



05



MAXIMUM WEIGHT CAPACITY: 77,16 lbs