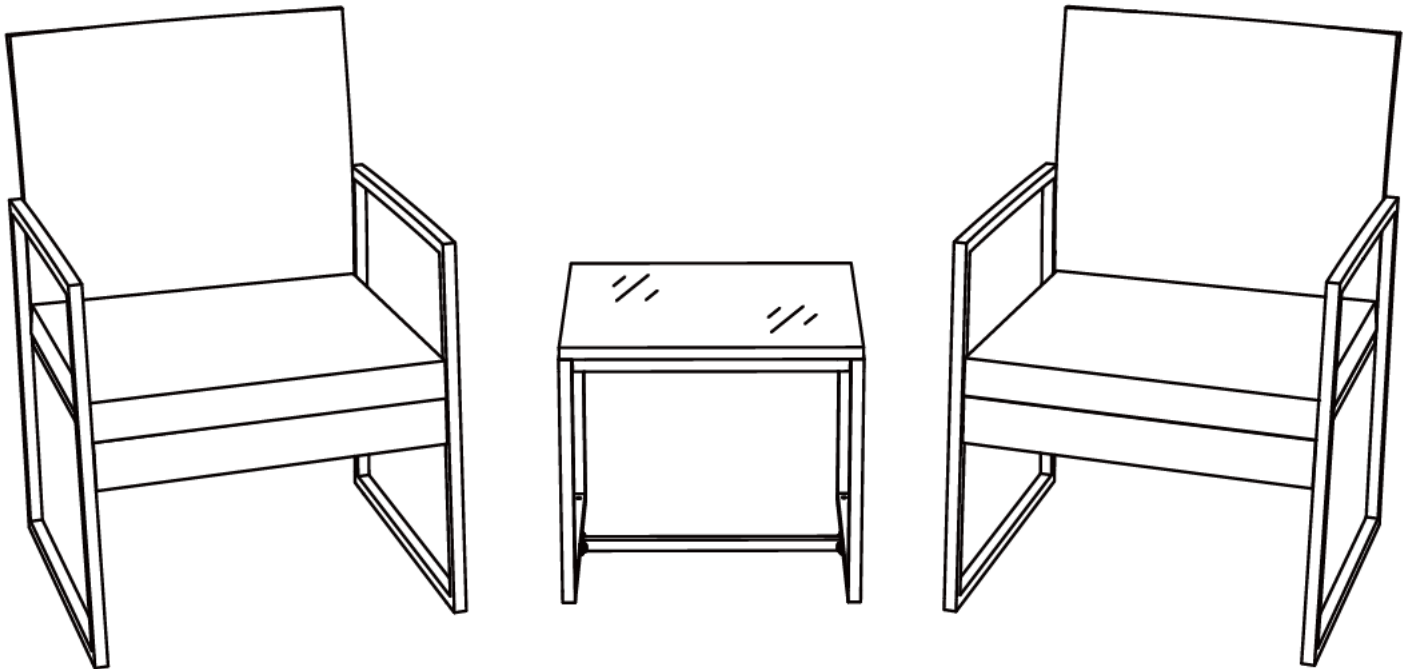


ASSEMBLY INSTRUCTIONS

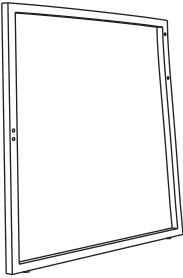
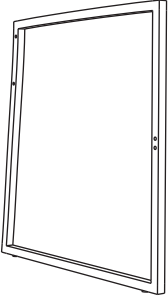
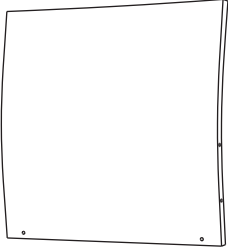
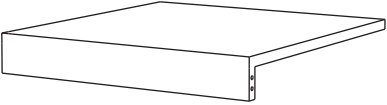

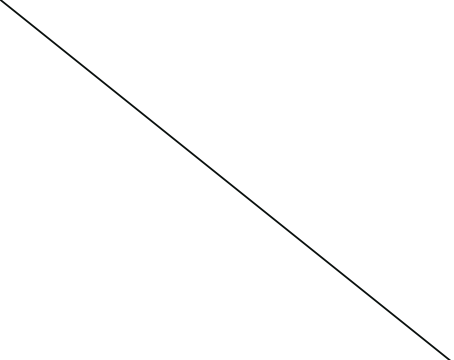
---

# RATTAN PATIO FURNITURE SET

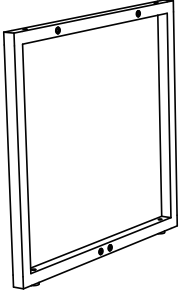
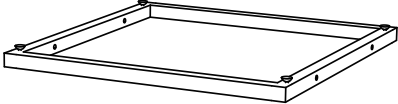


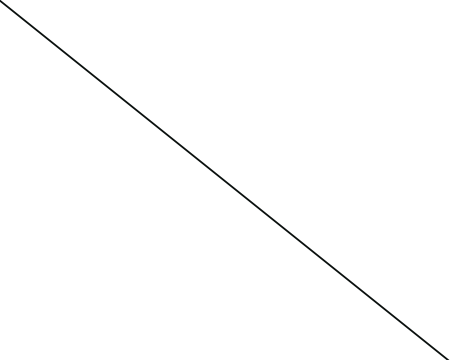
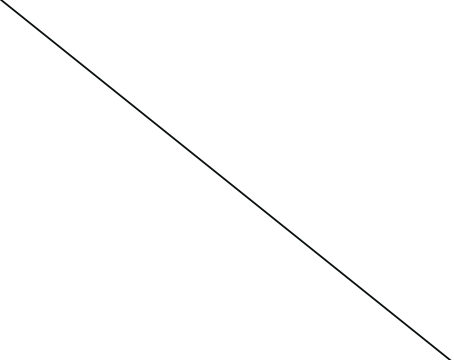
---





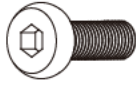


## 2-SINGLE RATTAN CHAIR PARTS

|   |  |  |
|---|--|--|
|  <p>A Right armrest X2</p> |  <p>B Left armrest X2</p> |  <p>C BACK X2</p> |
|  <p>D Seat X2</p>          |  <p>H Cushion X2</p>      |                   |

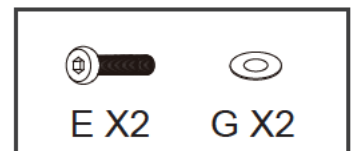
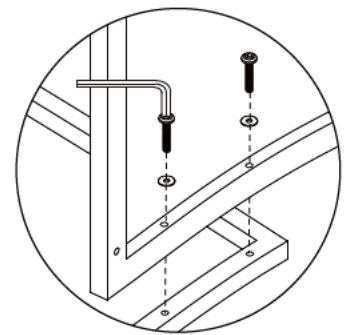
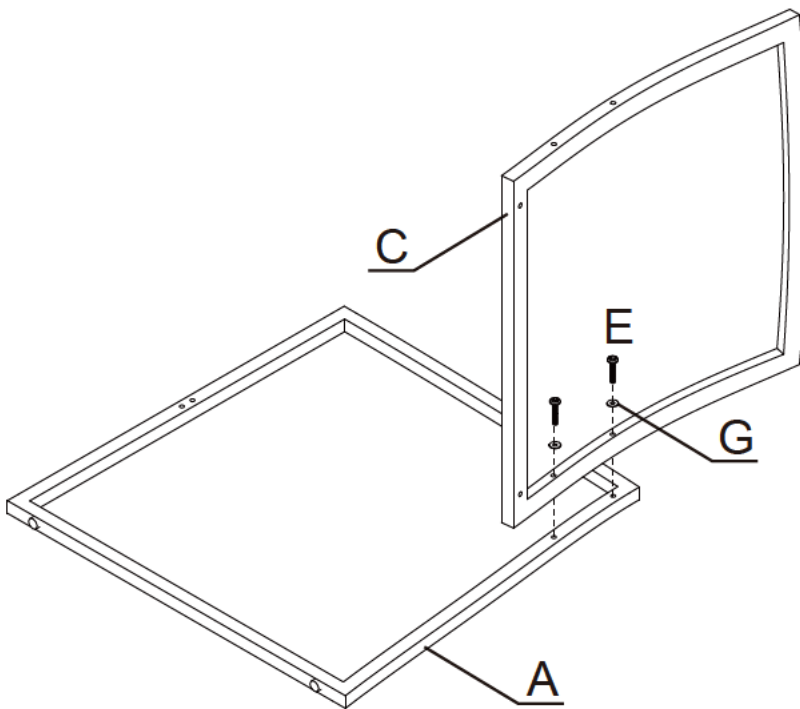
## 1-RATTAN COFFEE TABLE

|   |   |   |
|---|---|---|
|  <p>I Frame X2</p> |  <p>J Top X1</p> |  <p>K Supporting iron X1</p> |
|  <p>M Glass X1</p> |                 |                              |

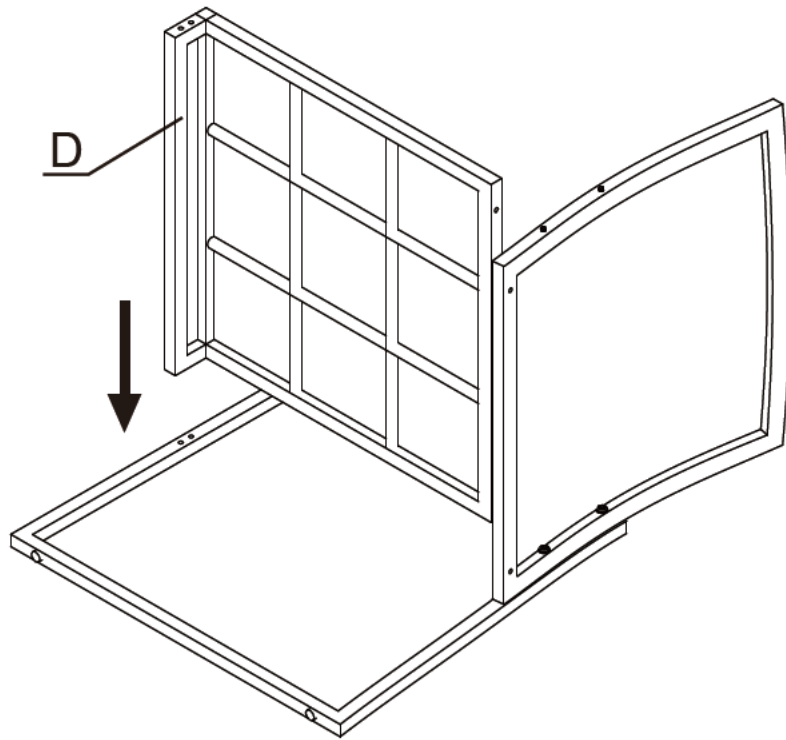
# SCREW

|  |  |   |
|--|--|---|
| <br>E X8  | <br>N X16 | <br>P X4 |
| <br>G X28 | <br>F X1  |   |

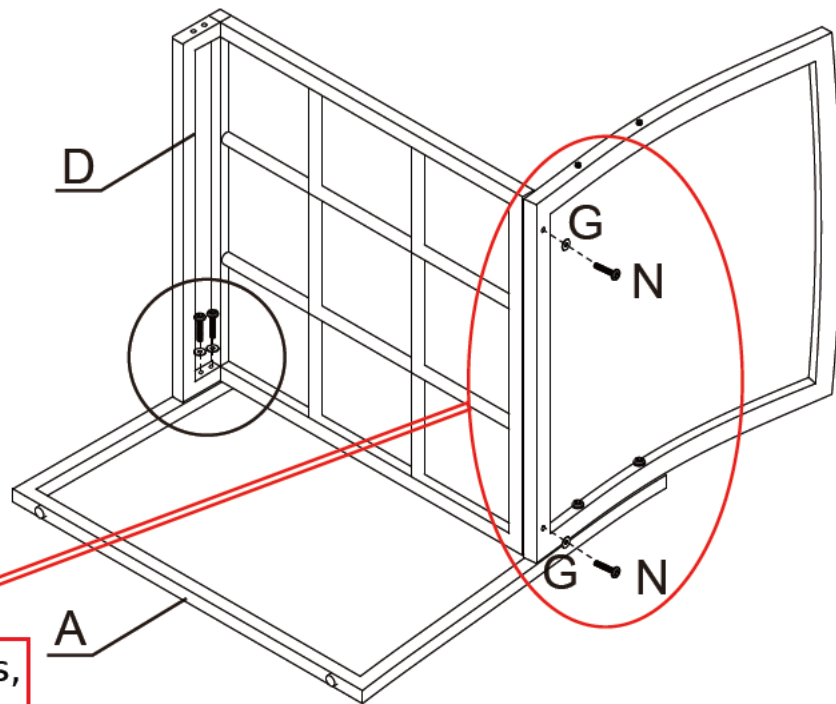
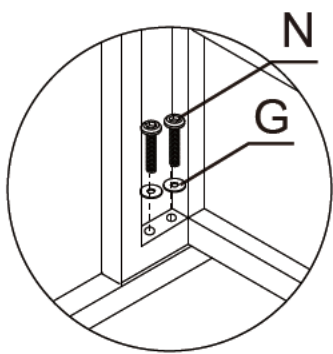
## STEP 1



## STEP 2



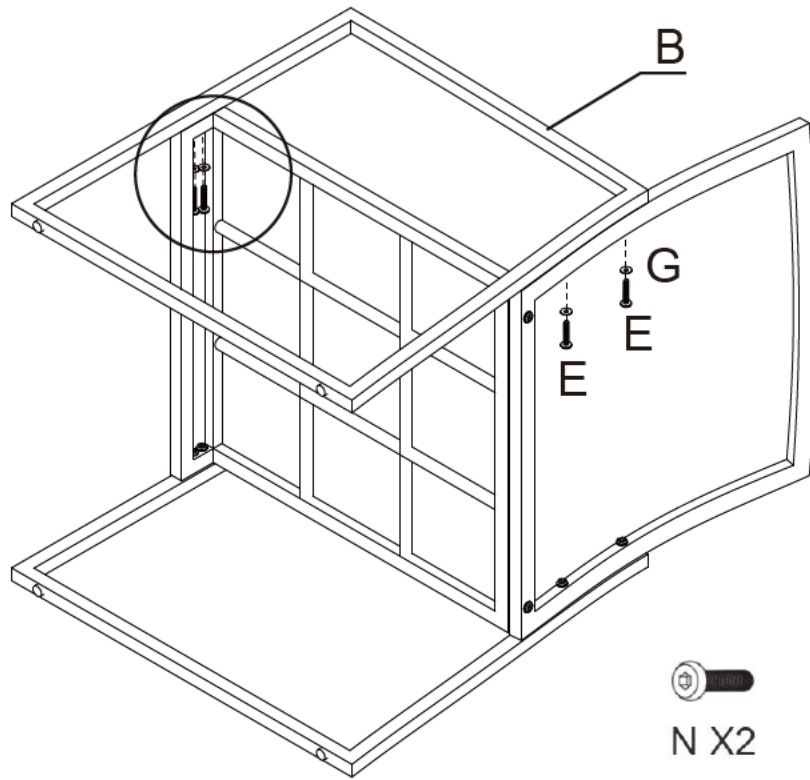
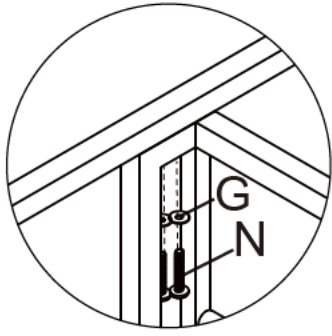
## STEP 3



Put the screws in the holes,  
tighten the screws,  
but not too tight. 50% is OK.

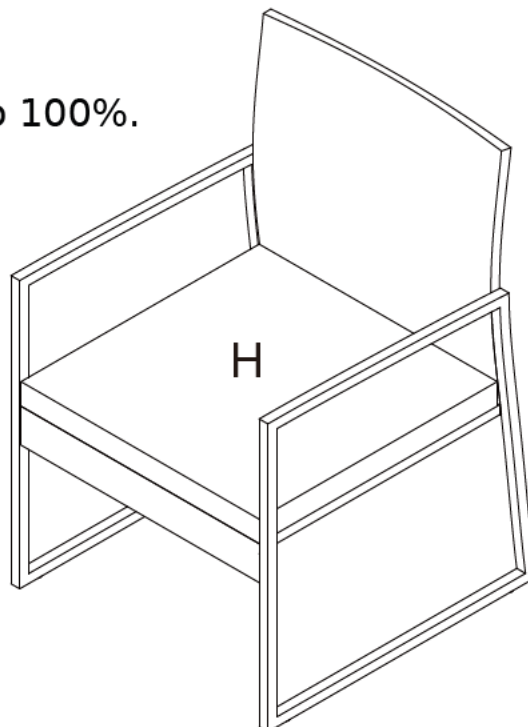


## STEP 4

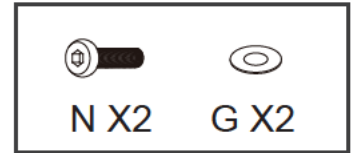
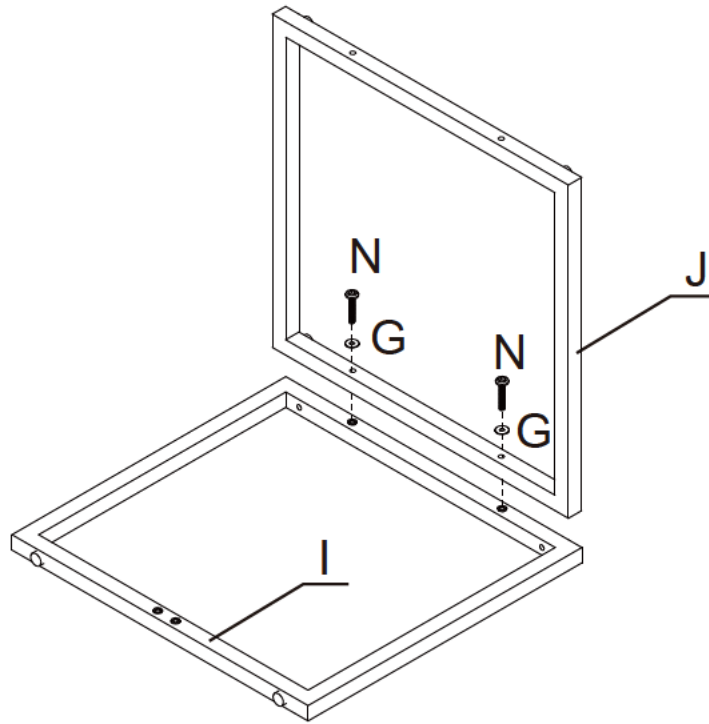


## STEP 5

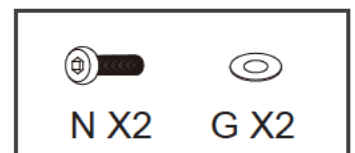
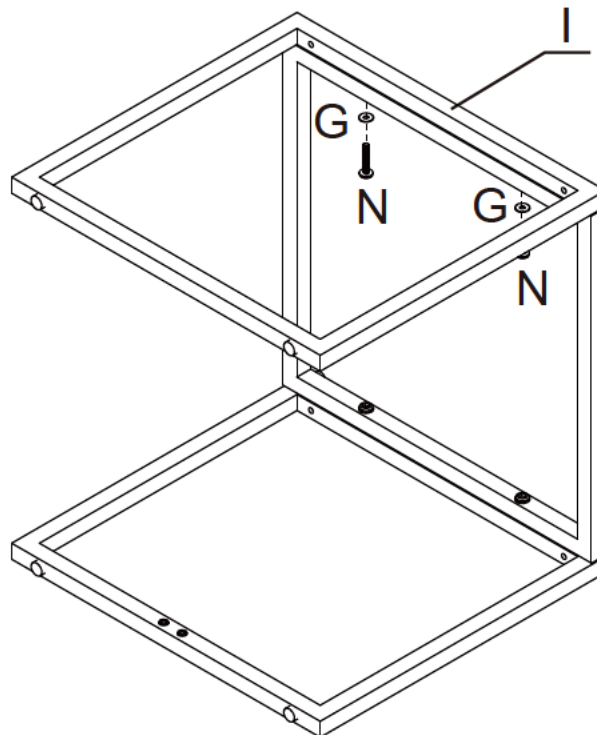
Tighten all the screws to 100%.



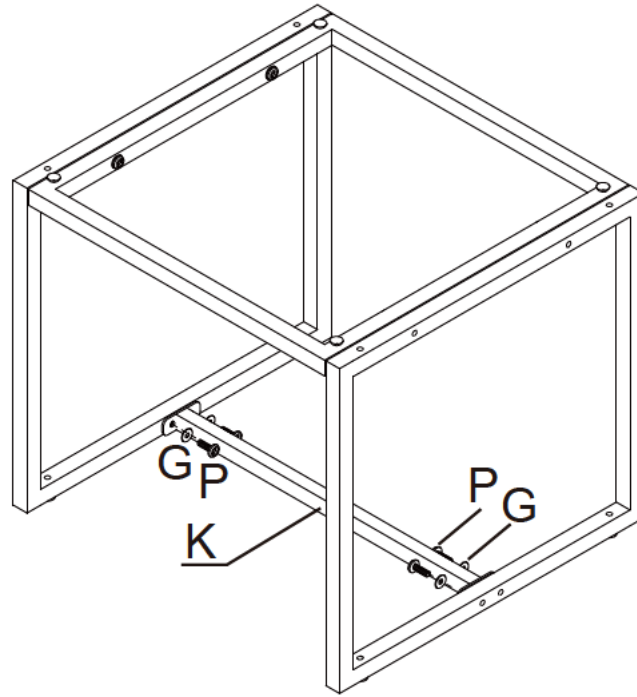
## STEP 6



## STEP 7



## STEP 8



## STEP 9

