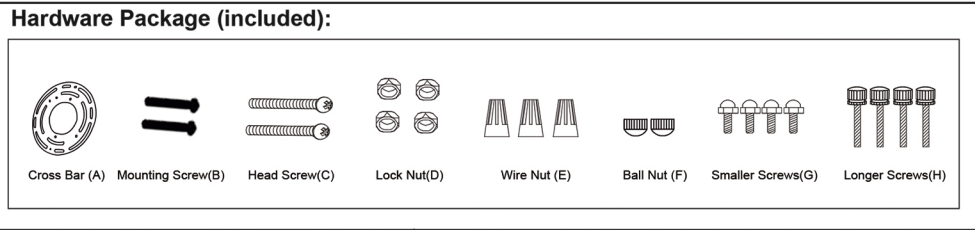


ASSEMBLY AND INSTALLATION INSTRUCTIONS

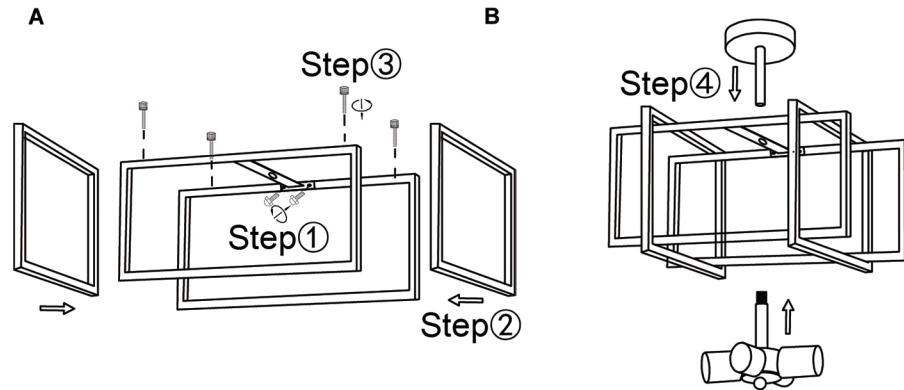
WARNING: TO AVOID RISK OF ELECTRICAL SHOCK, BE SURE TO SHUT OFF POWER BEFORE INSTALLING OR SERVICING THIS FIXTURE.

NOTES: 1. Before installing, consult local electrical codes for wiring and grounding requirements.
2. READ AND SAVE THESE INSTRUCTIONS.



Installation Steps

Turn off the power at fuse or circuit box



Assembly of the fixture body

Check if all the accessories are included.

- Step:01. Fix the support beam to smaller metal frame with smaller screws (G)
- Step:02-03. Fix the bigger metal frame to smaller metal frame with longer screws (H)
- Step:04. Put the wires on the Lamp Holder through the Support Beam and Drop Rod, Tighten the Lamp Holder with Drop Rod.

Installation Instructions

- Step:05. Attach the cross bar to the outlet box by using two mounting screws (B).
- Step:06. Pull out the source wires from the outlet box. Make wire connections using wire nuts (E) as follows:
 - Connect the hot wire (usually black insulation) from the fixture to the black wire from the power source.
 - Connect the neutral wire (usually white insulation) from the fixture to the white wire from the power source.
 - Attach the fixture grounding wire (usually bare wire) connect it to the house grounding wire with the wire nut.
 - Carefully put the wires back into the outlet box.
- Step:07-08. Attach the fixture body to the cross bar by inserting headless screws into holes on back plate, and then secure it with two rubber pads and two ball nuts (F).
- Step:09. Install E26 bulb (not included). Check relamping label at socket area or packaging for maximum allowed wattage.

Attention

1. Please install it by a licensed electrician.
2. Please make sure you have cut off the electricity supply before installation.
3. Do not connect electricity until your fixture is fully assembled.
4. We provide 24 hours customer service support. Please contact us if any broken glass. We can send you for free to replace. Thank your to contact us to request free glass.

