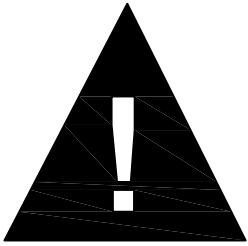


ASSEMBLY INSTRUCTION

V3021DLR







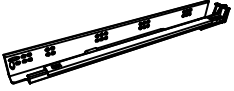


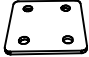

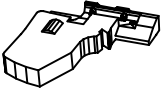
Warning: Excessive weight hazard!

Use two or more people to move, assemble, or install cabinets to avoid back injury. do not leave children unattended near cabinets. high risk of tipping if cabinets are installed incorrectly: securely attach cabinets to the wall to avoid serious injury.

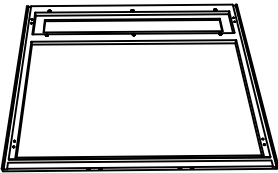
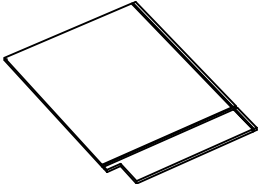
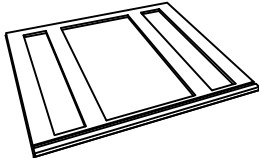
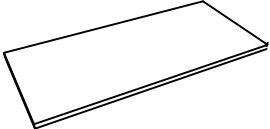
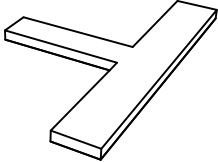
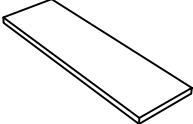
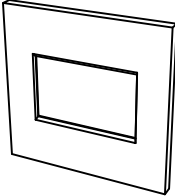
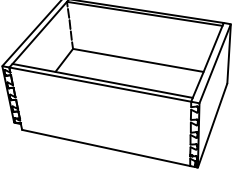
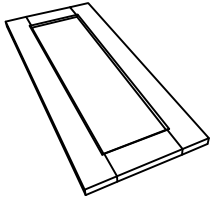


ASSEMBLY INSTRUCTION

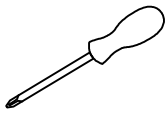
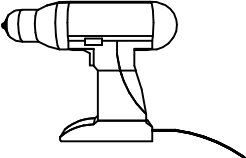


INCLUDED HARDWARE

<p>(a) L-BRACKET</p> 	<p>(b) SCREW $\Phi 3 \times 12$</p> 	<p>(c) SCREW $\Phi 4 \times 16$</p> 	<p>(d) SCREW $\Phi 4 \times 50$</p> 	<p>(e) SLIDE</p> 
14PC(S)	64PC(S)	20PC(S)	2PC(S)	2PC(S)
<p>(f) DOOR BUMPER</p> 	<p>(g) CORNER SUPPOR BRACKET</p> 	<p>(h) BRACKET</p> 	<p>(i) HINGE</p> 	<p>(j) SLIDE BRACKET</p> 
8PC(S)	4PC(S)	2PC(S)	4PC(S)	4PC(S)

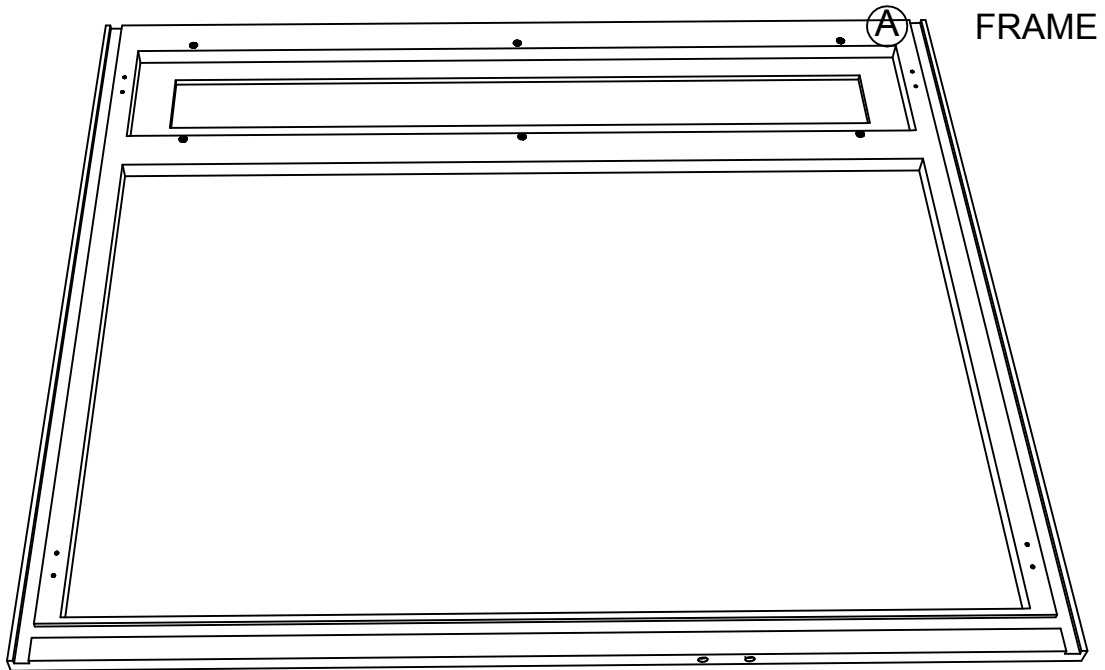
PRODUCT PARTS

<p>(A) FRAME</p> 	<p>(B) SIDE PANEL</p> 	<p>(C) BACK PANEL</p> 	<p>(D) DECK</p> 
1PC(S)	2PC(S)	1PC(S)	1PC(S)
<p>(E) T-PART</p> 	<p>(F) BASEBOARD</p> 	<p>(G) DRAWER FACE</p> 	<p>(H) DRAWER BOX</p> 
1PC(S)	1PC(S)	2PC(S)	2PC(S)
<p>(I) DOOR</p> 			
2PC(S)			

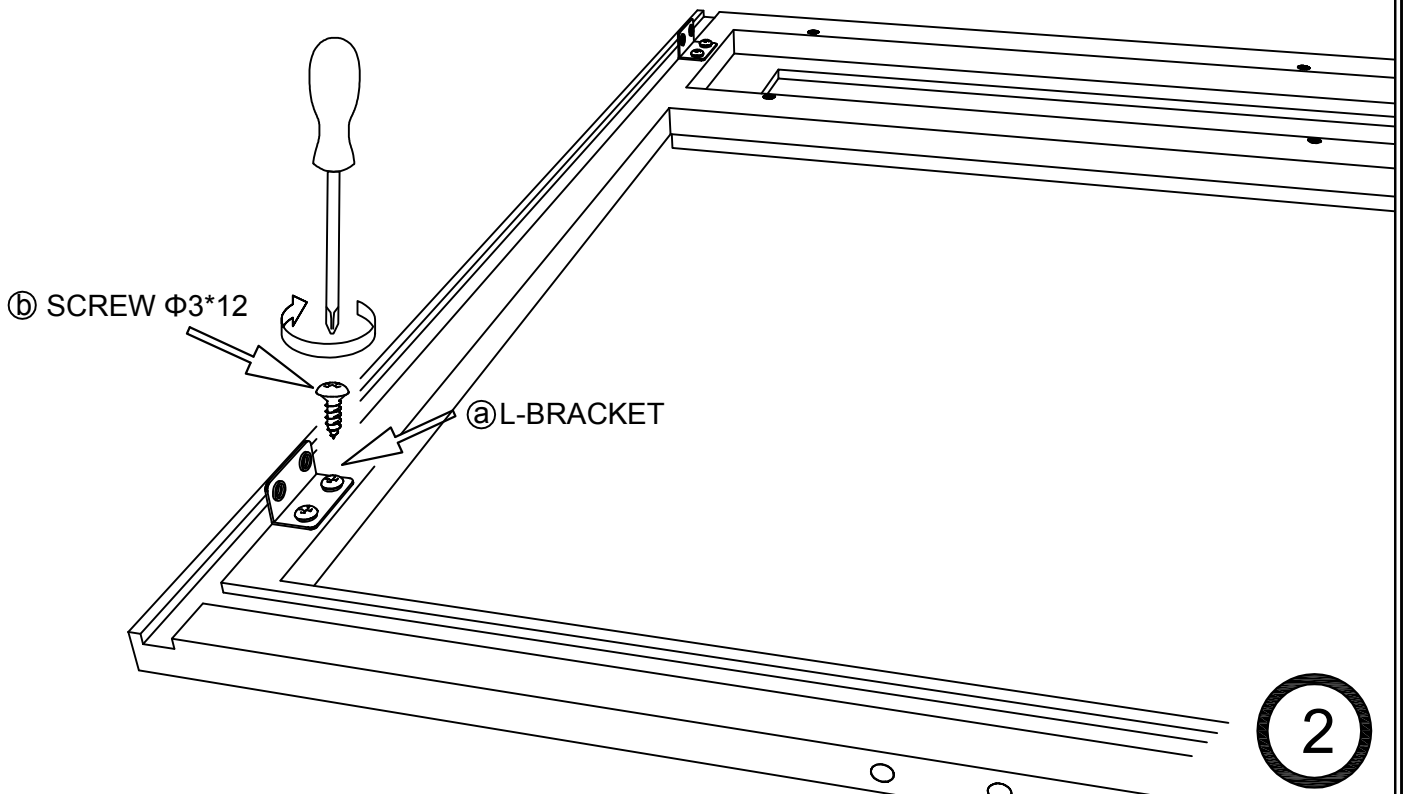
RECOMMENDED TOOLS

<p>SCREWDRIVER</p> 	<p>DRILL</p> 	<p>RUBBER MALLET</p> 	<p>GLUE</p> 
--------------------------------------------------------------------------------------------------------	--------------------------------------------------------------------------------------------------	-----------------------------------------------------------------------------------------------------------	---------------------------------------------------------------------------------------------------

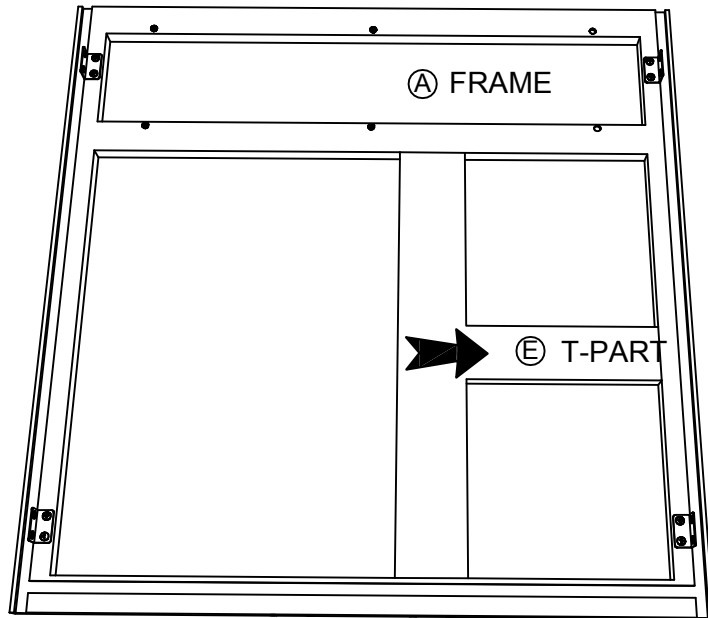
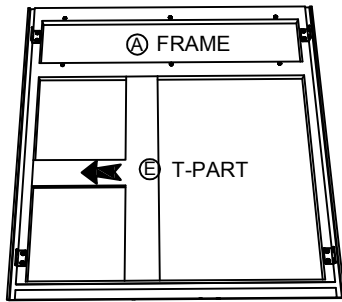
ASSEMBLY INSTRUCTION



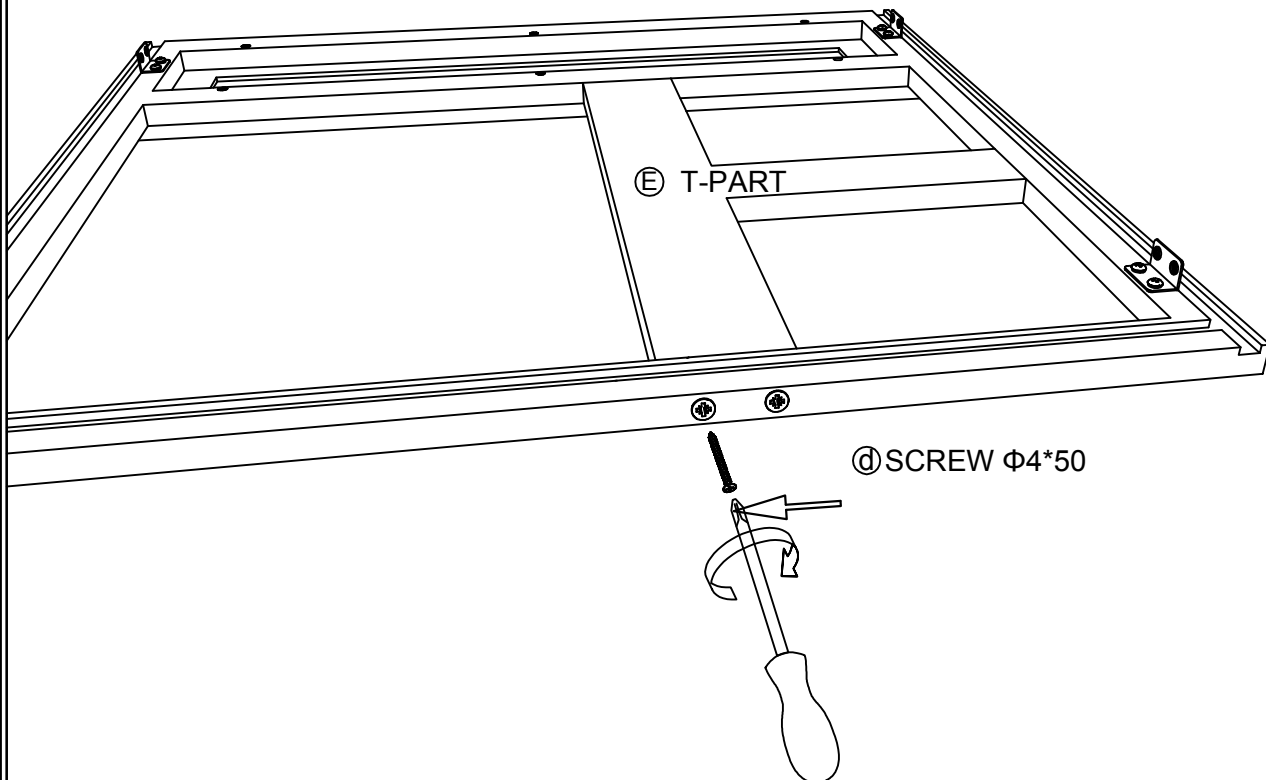
1



ASSEMBLY INSTRUCTION

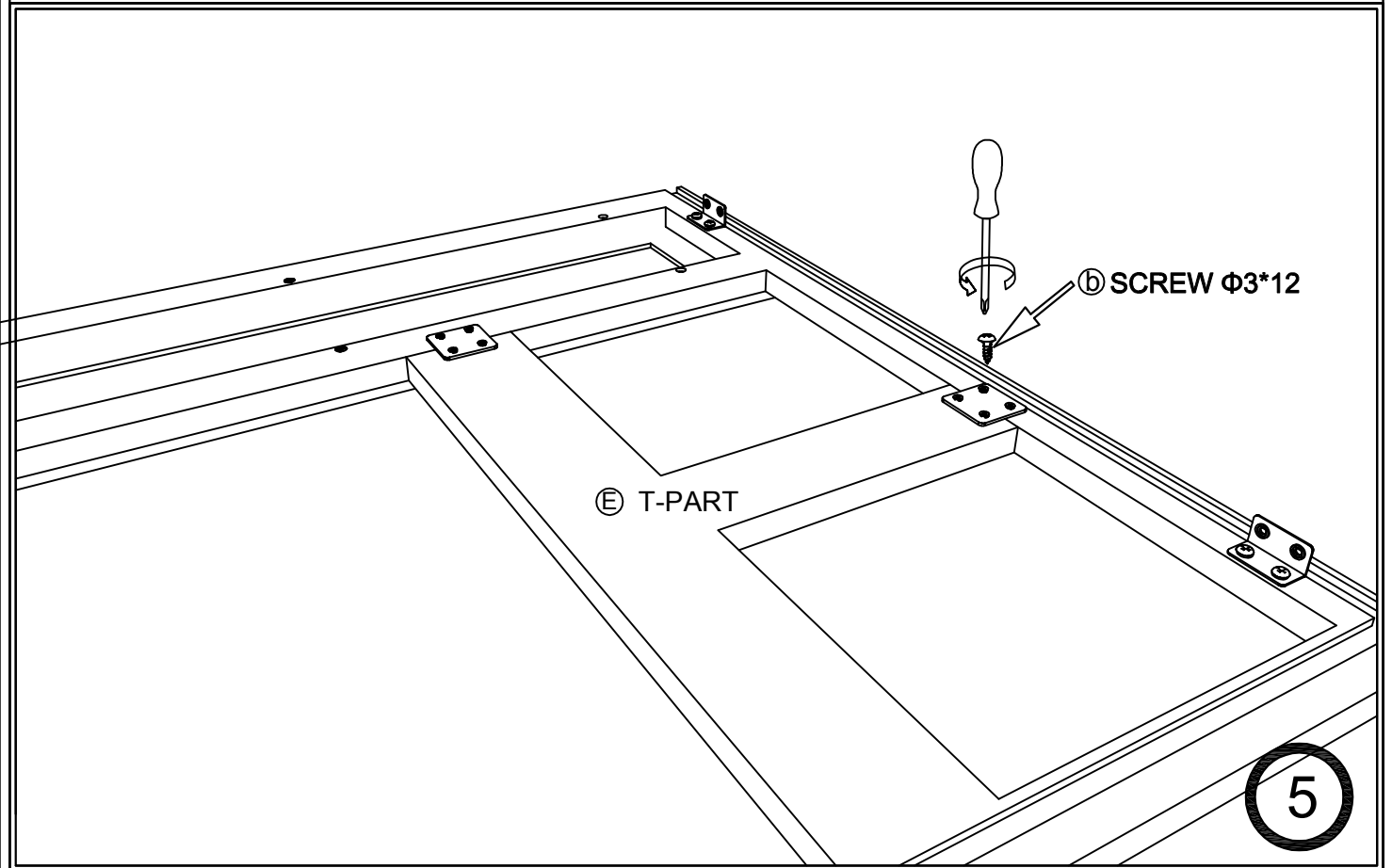


3

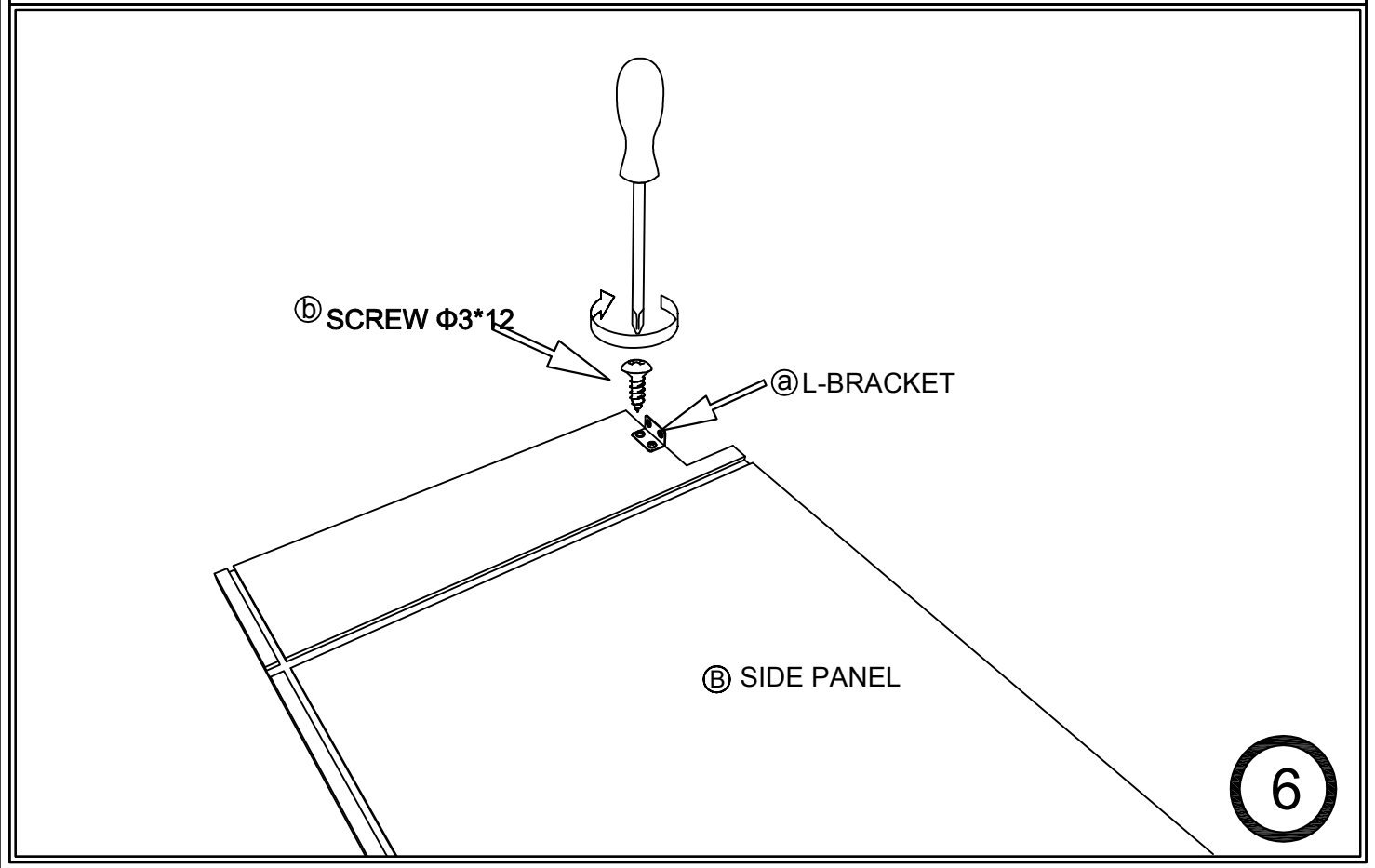


4

ASSEMBLY INSTRUCTION

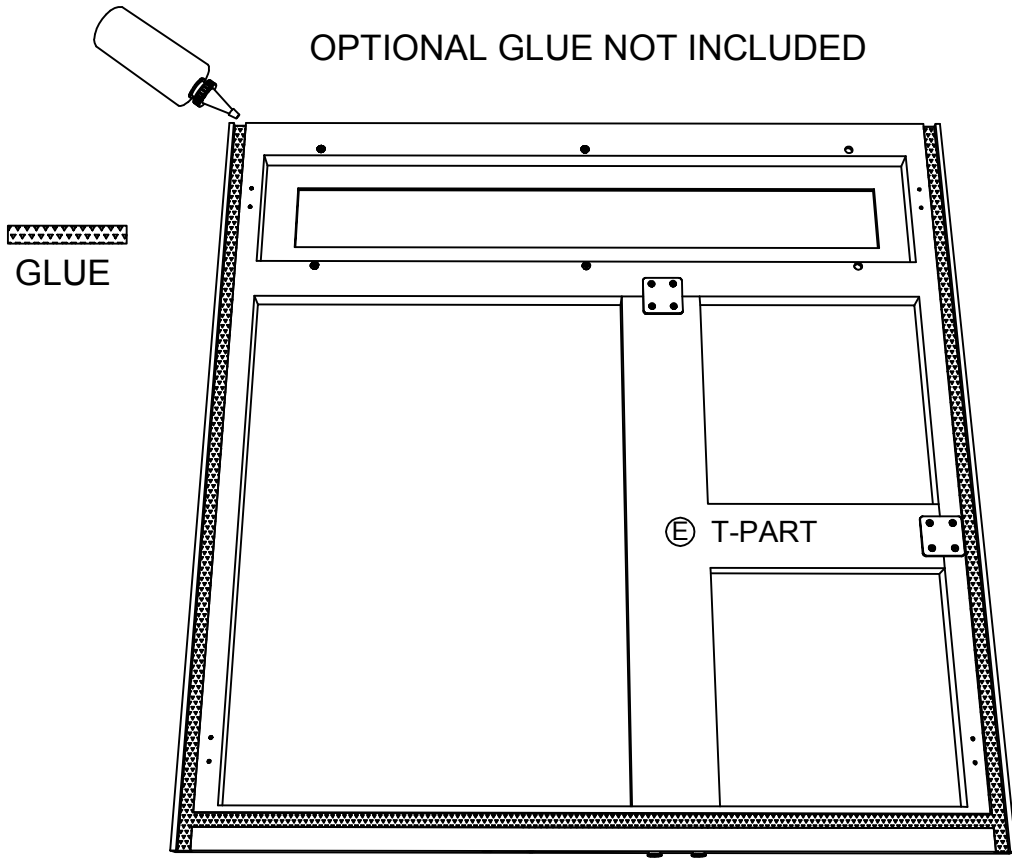
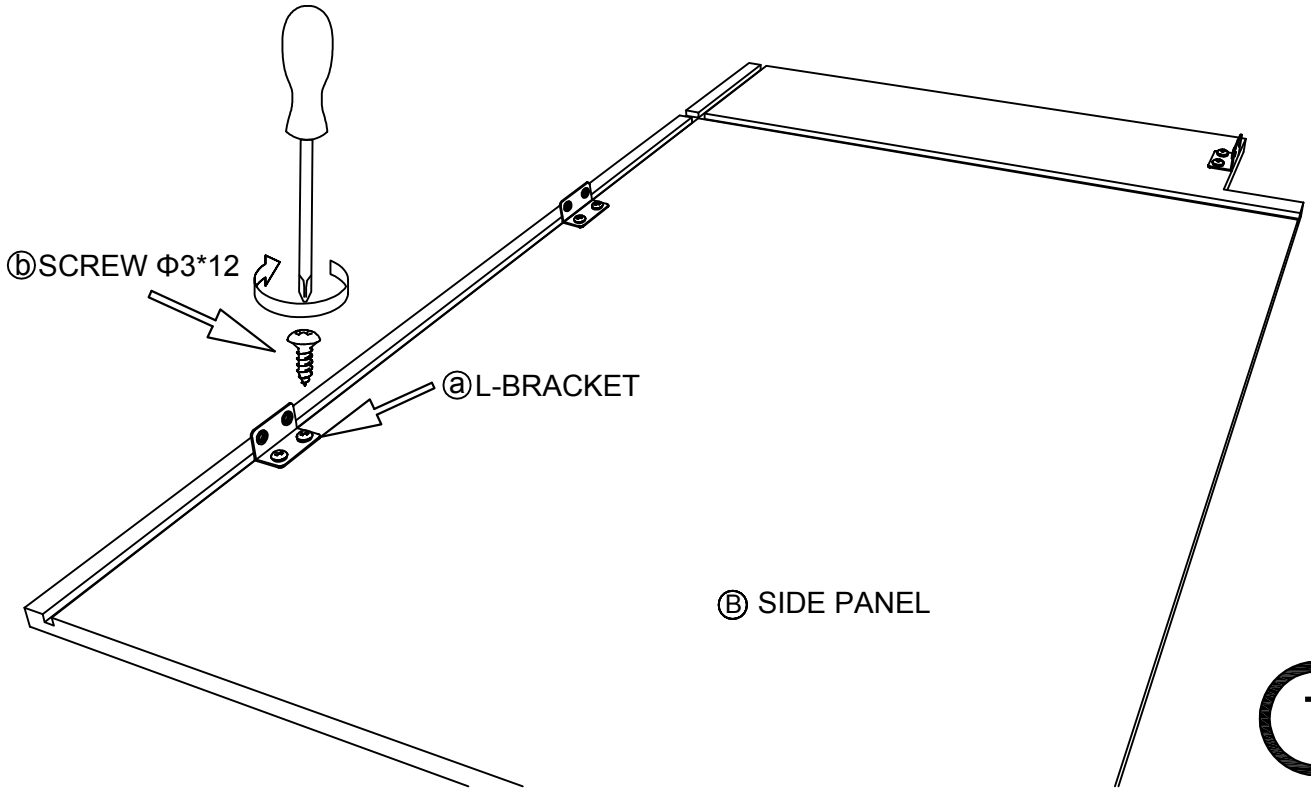


5

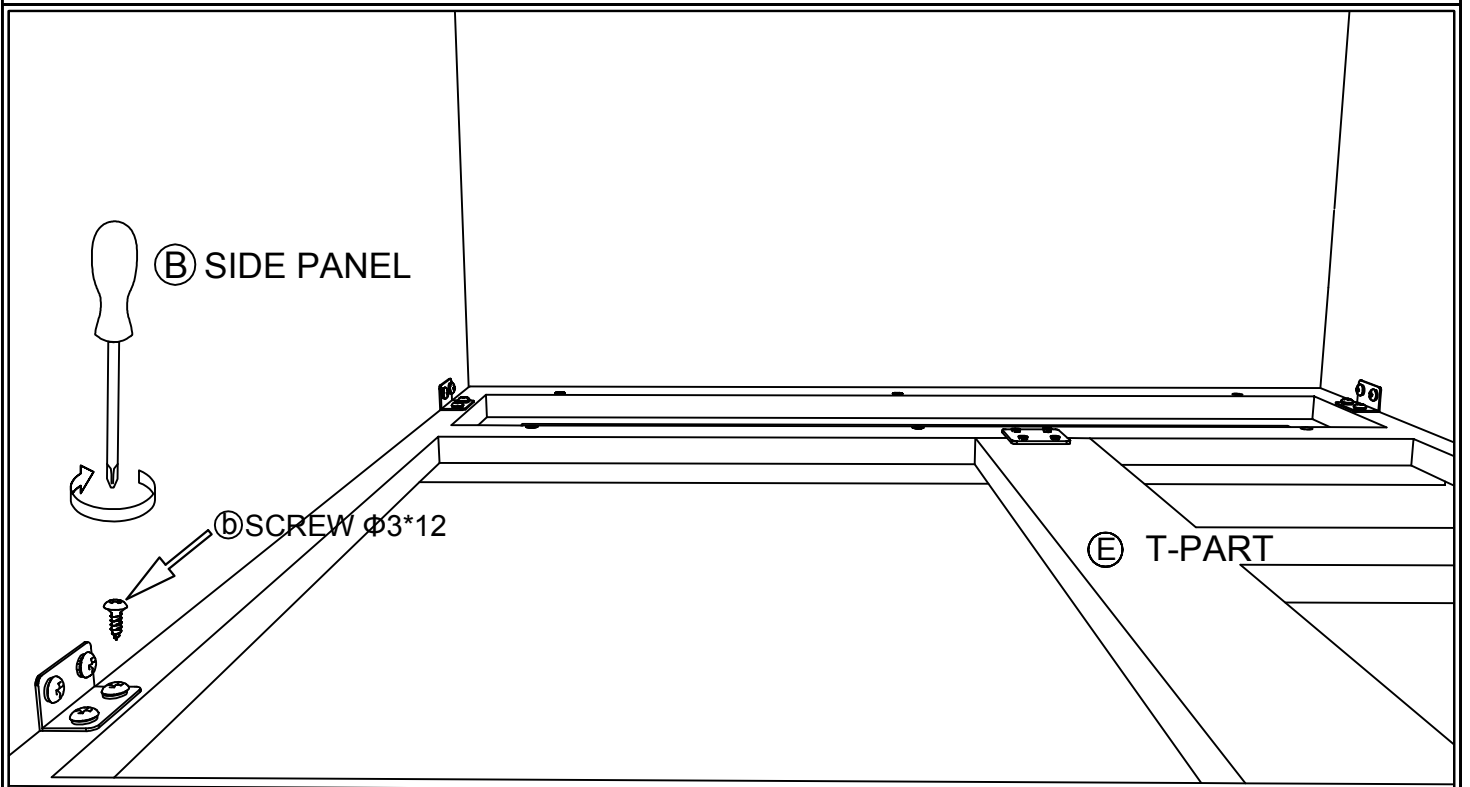
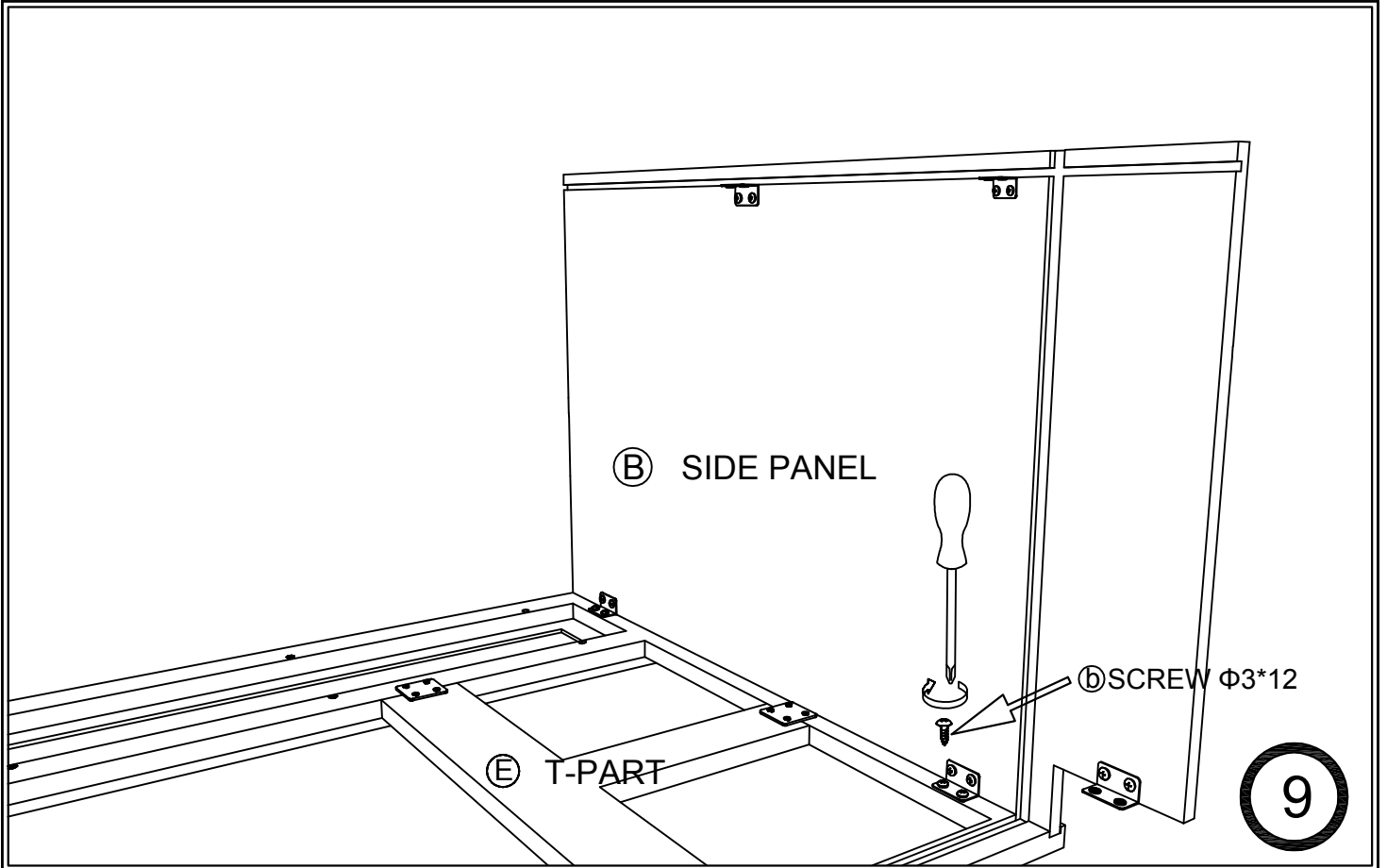


6

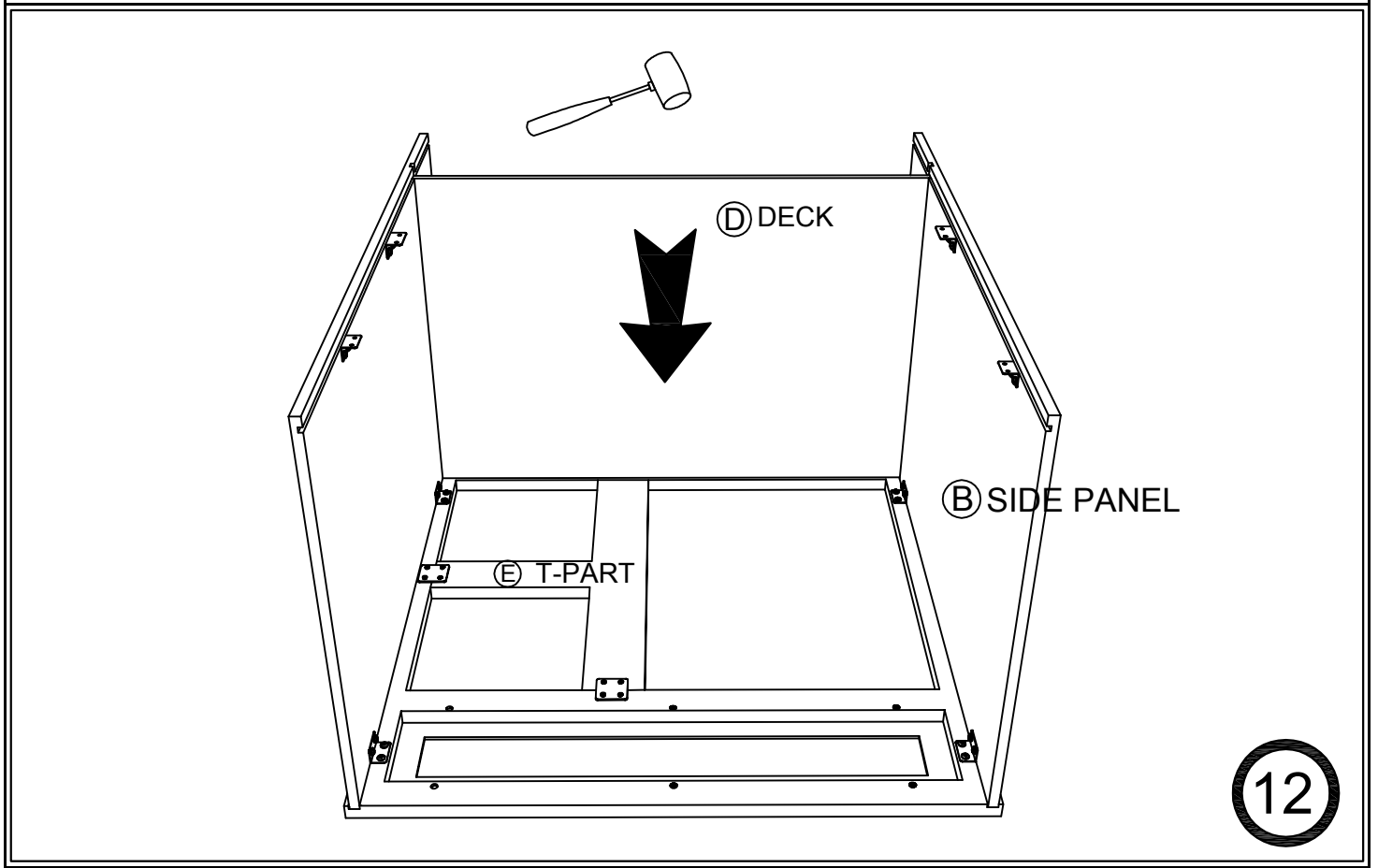
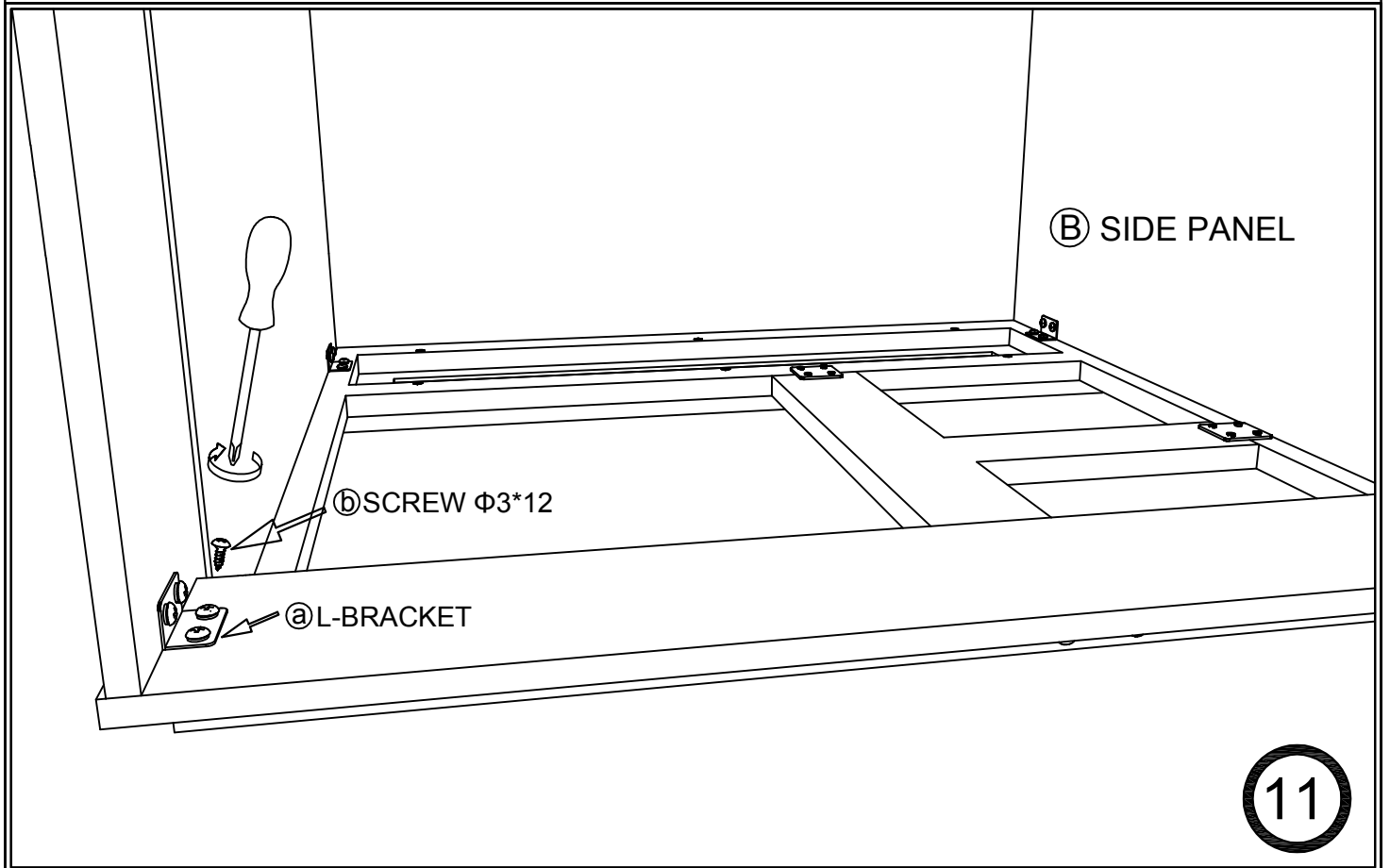
ASSEMBLY INSTRUCTION



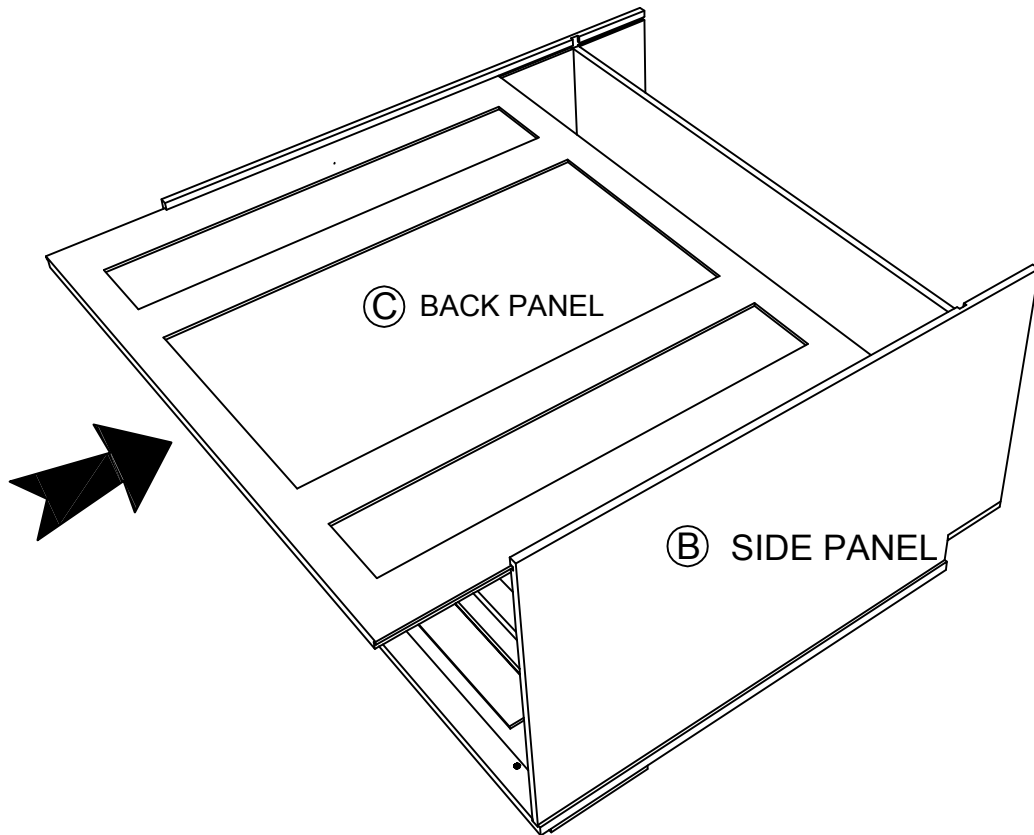
ASSEMBLY INSTRUCTION



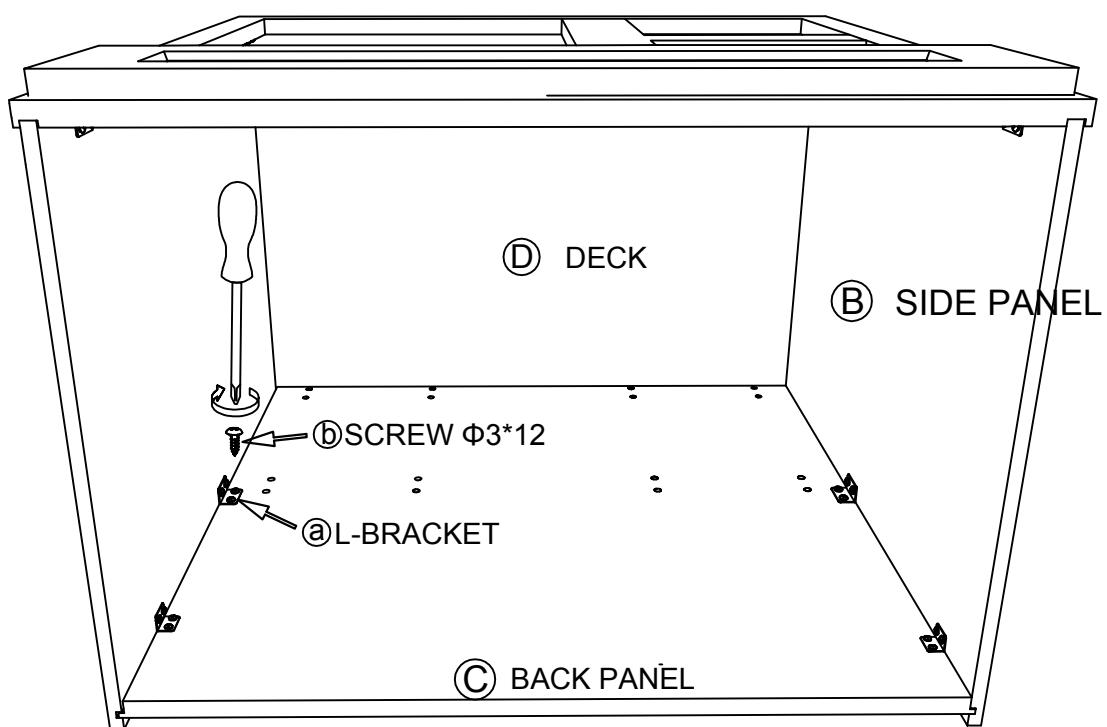
ASSEMBLY INSTRUCTION



ASSEMBLY INSTRUCTION

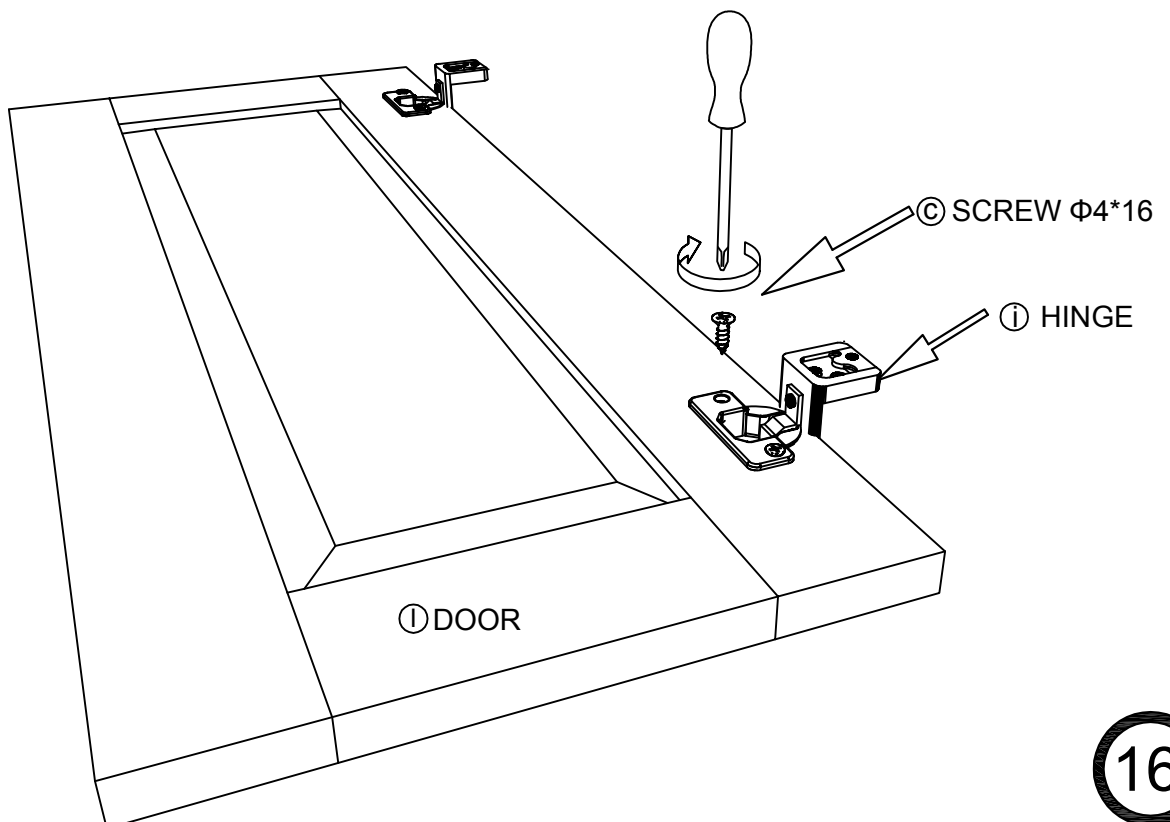
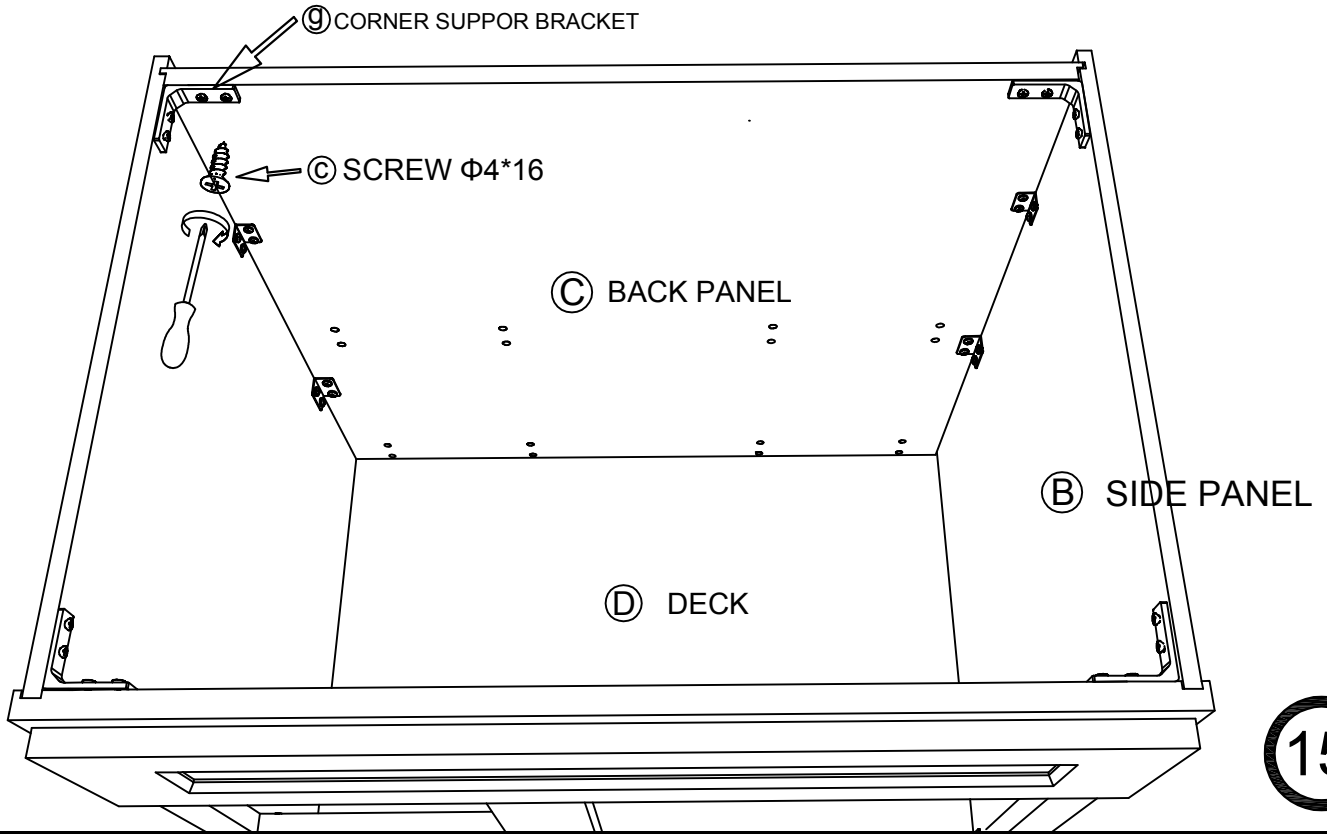


13

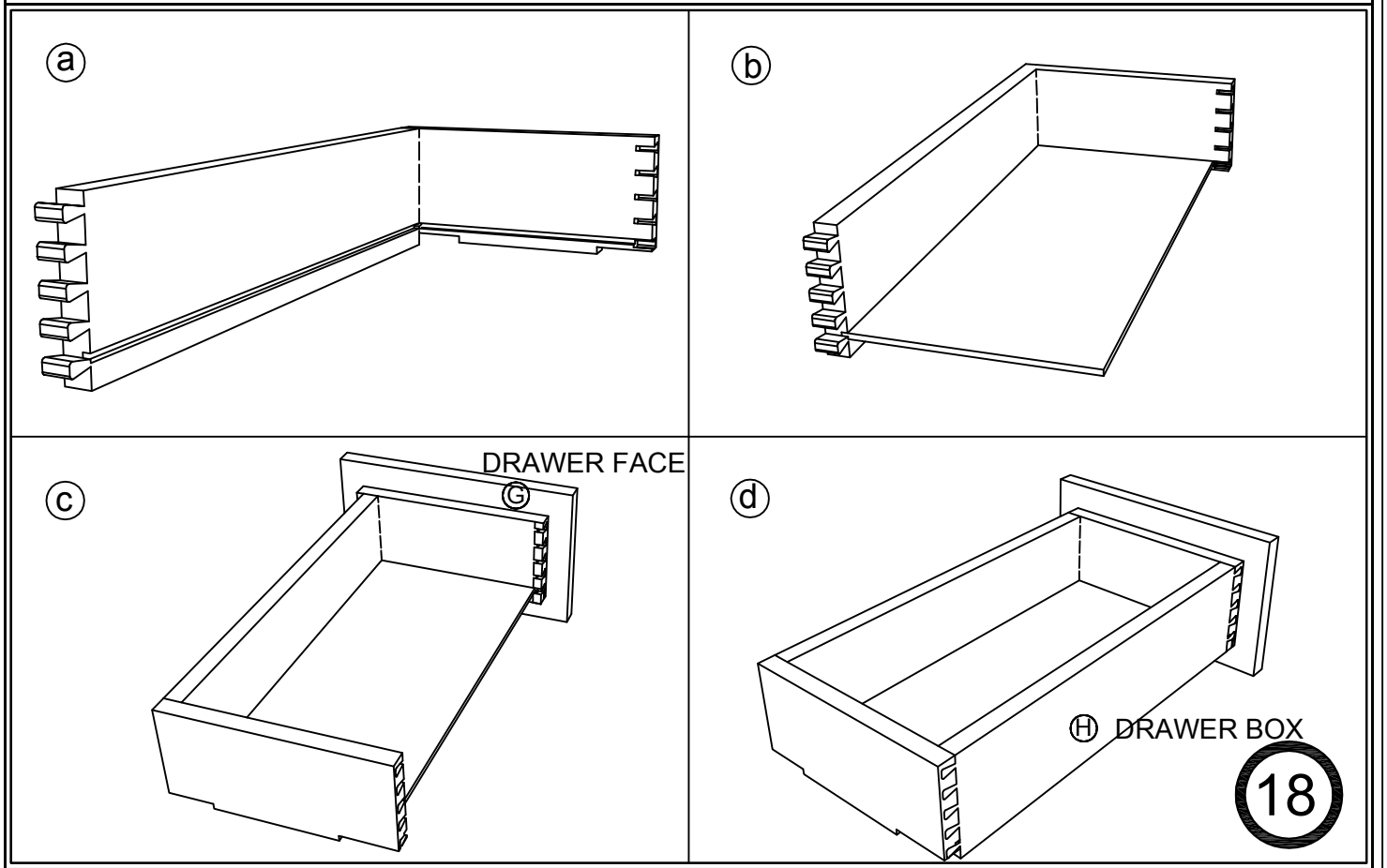
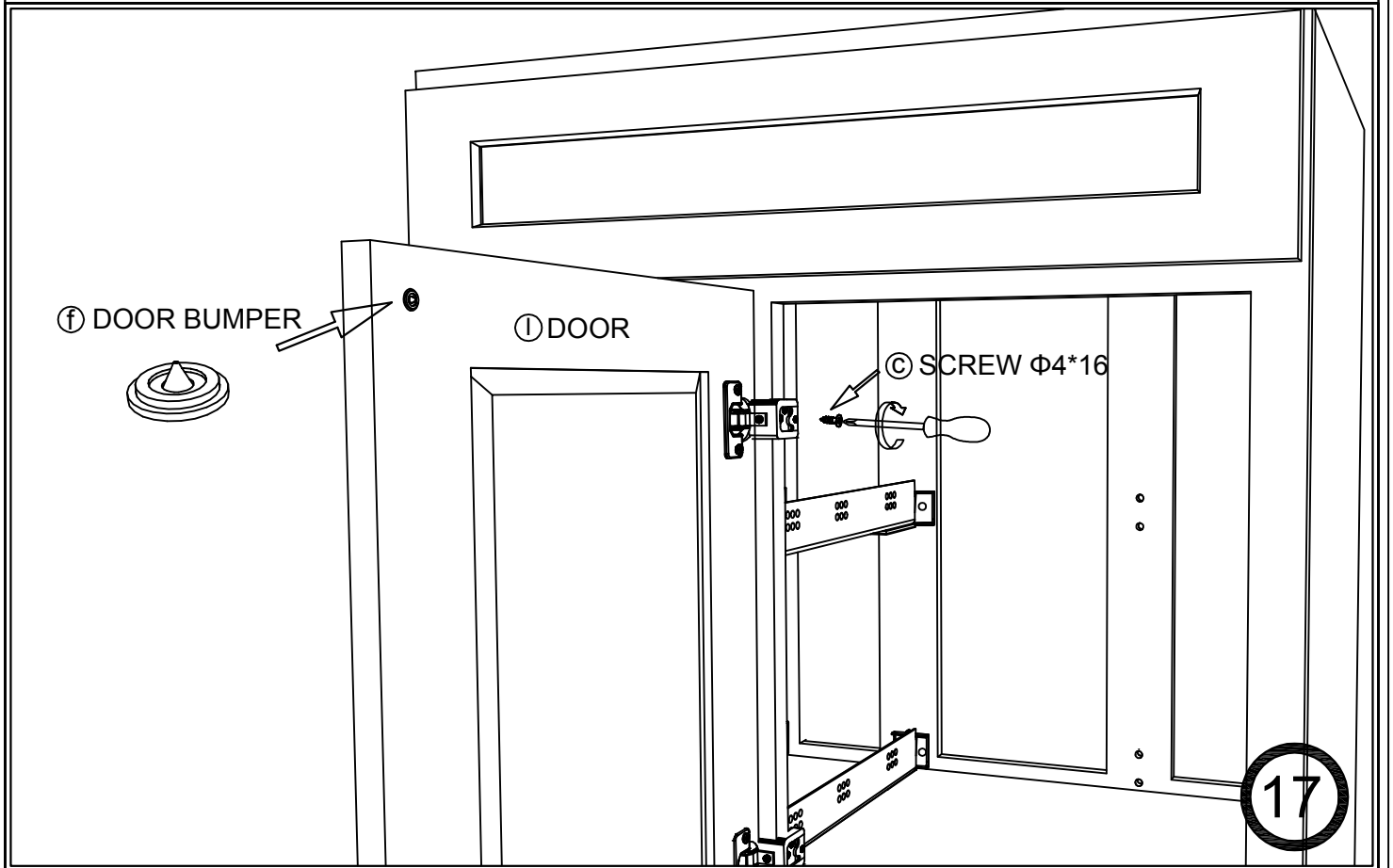


14

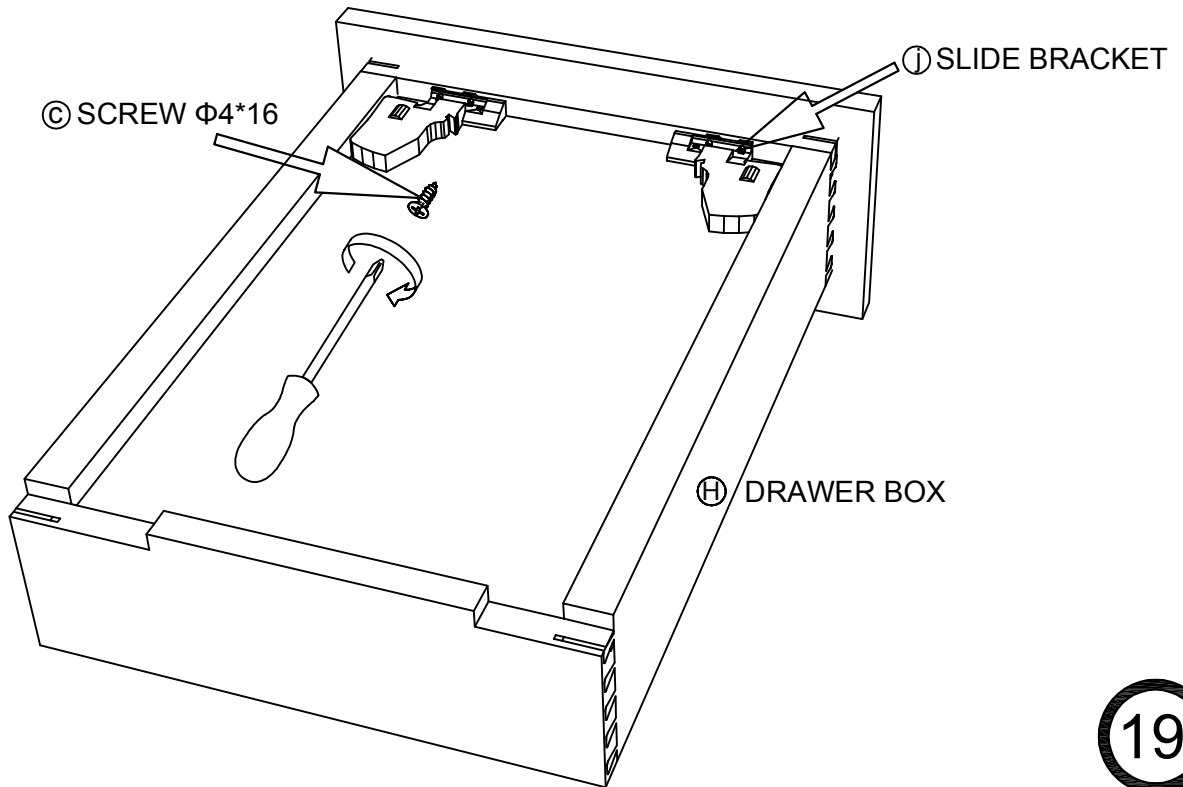
ASSEMBLY INSTRUCTION



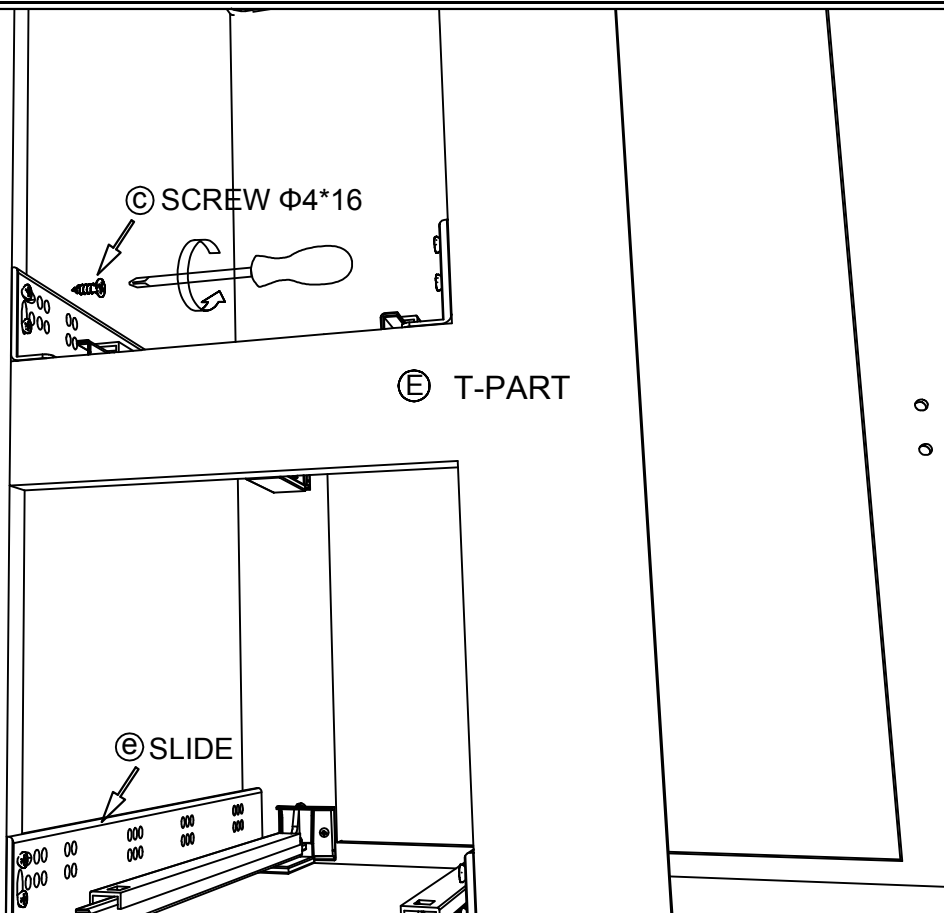
ASSEMBLY INSTRUCTION



ASSEMBLY INSTRUCTION

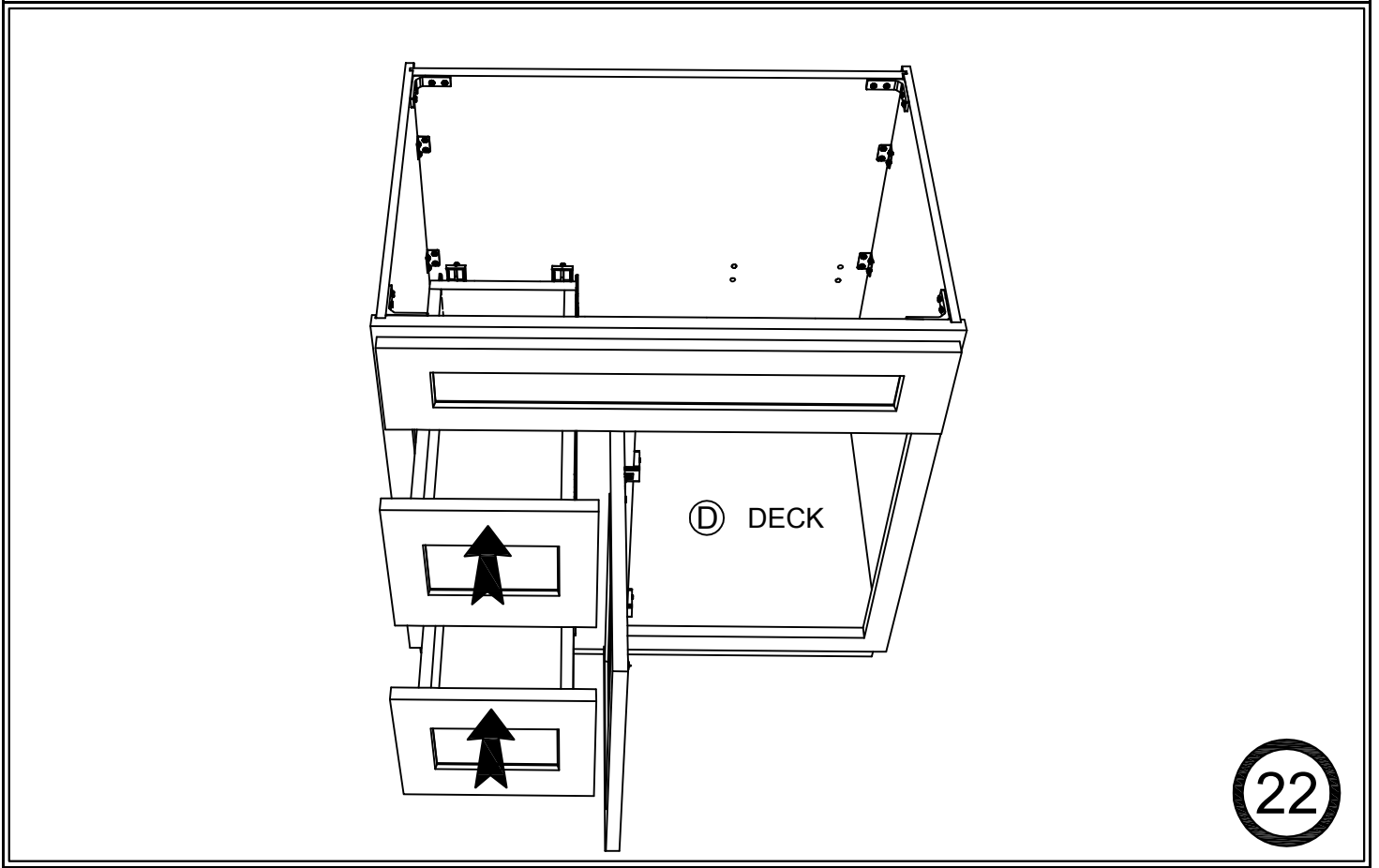
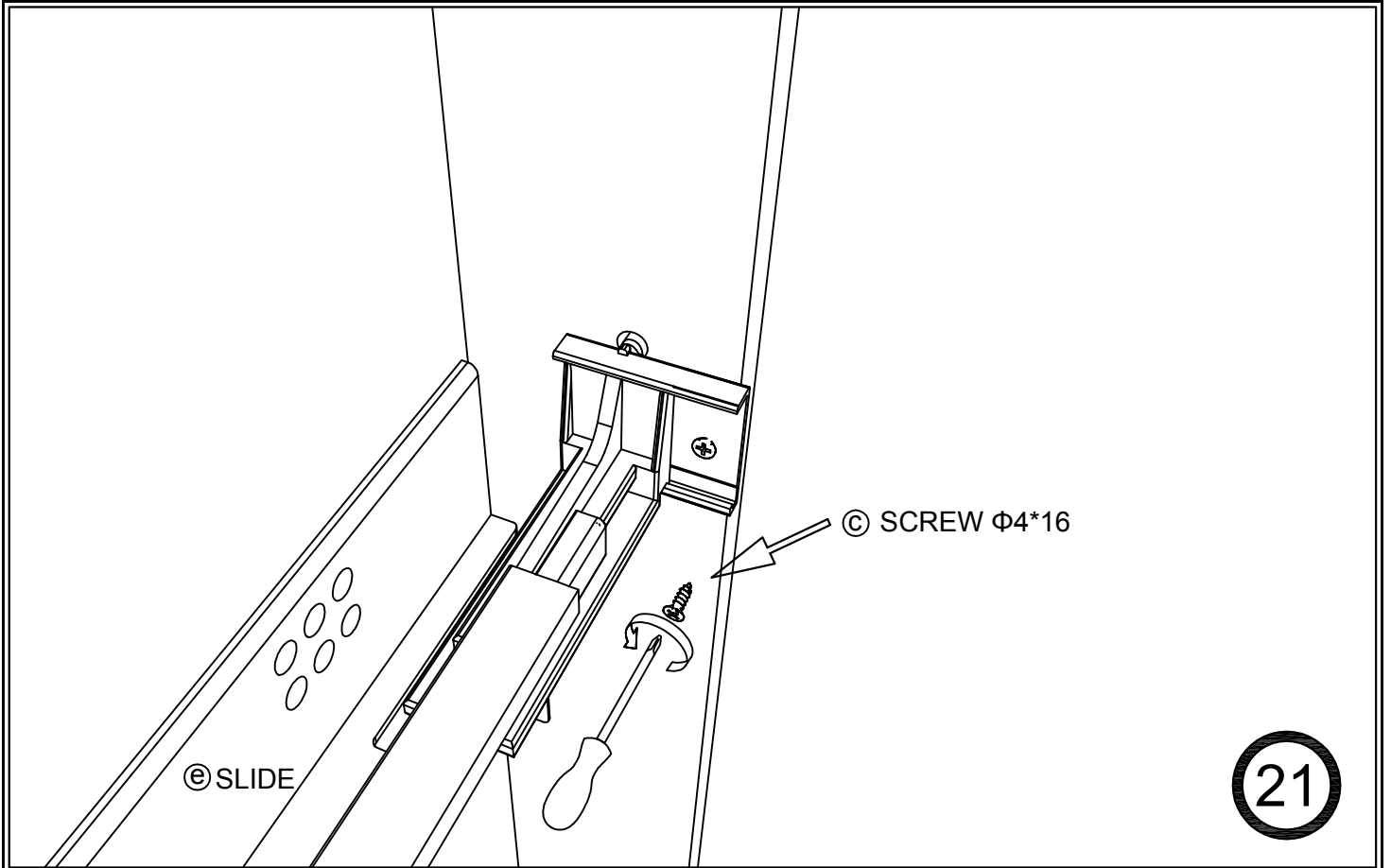


19

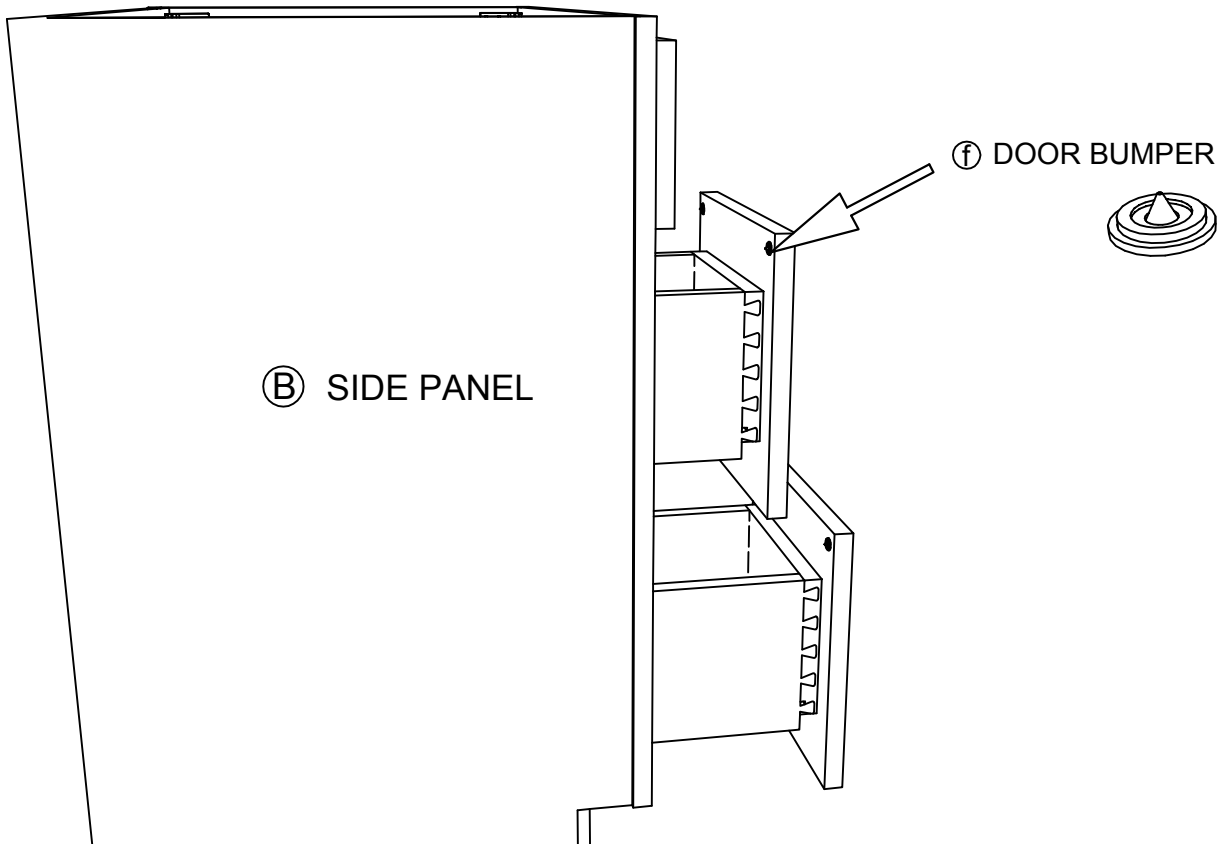


20

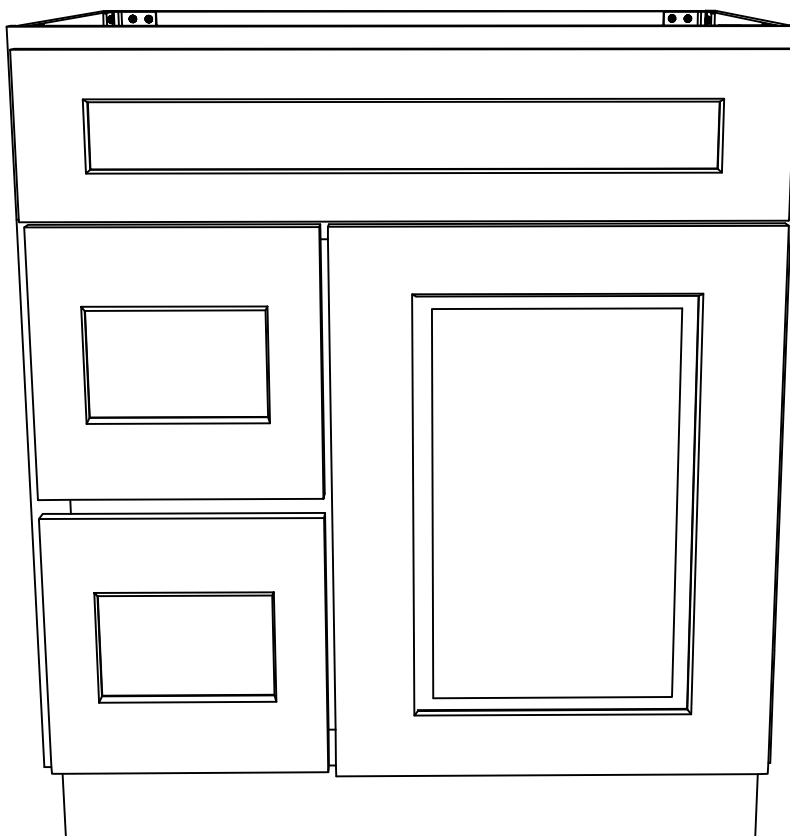
ASSEMBLY INSTRUCTION



ASSEMBLY INSTRUCTION



23



24