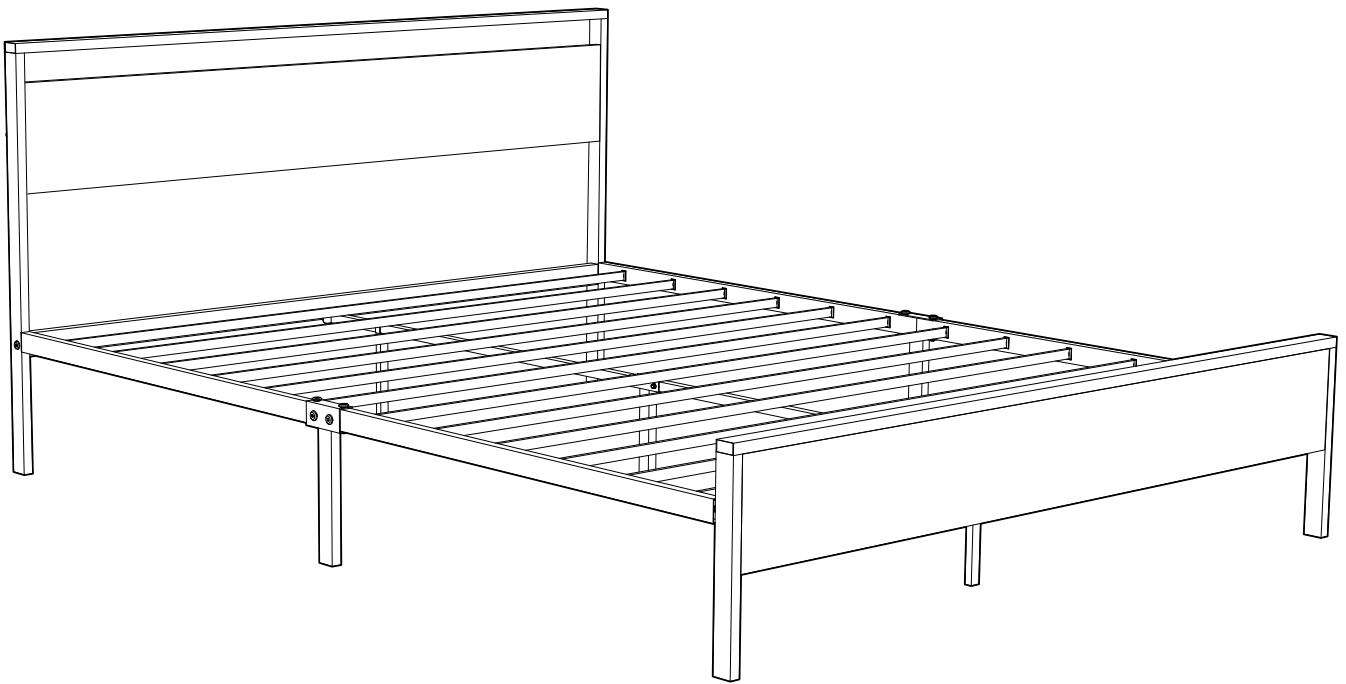


PLATFORM BED FRAME

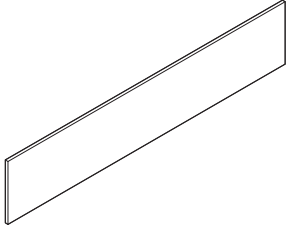
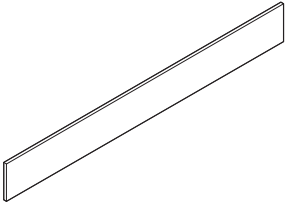
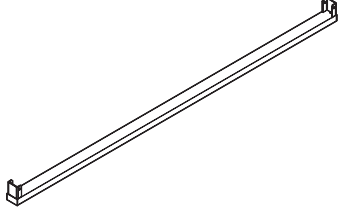
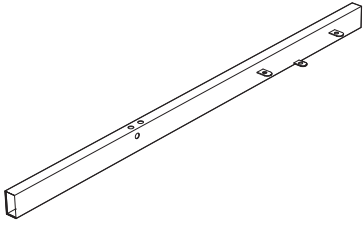
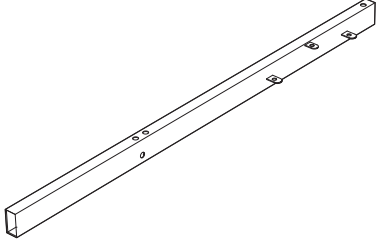
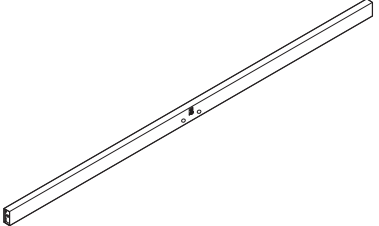
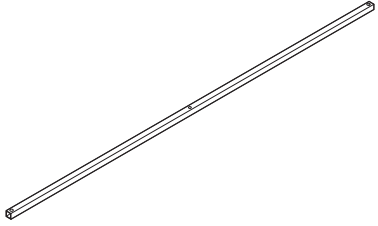
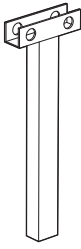

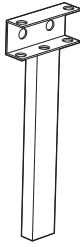
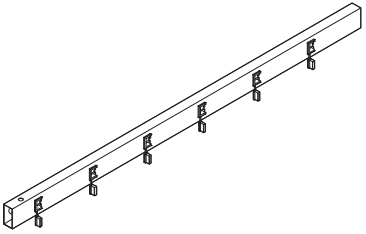
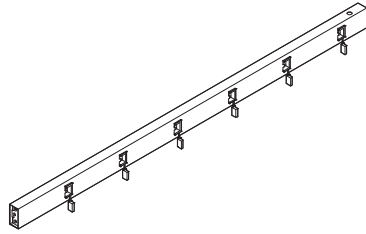
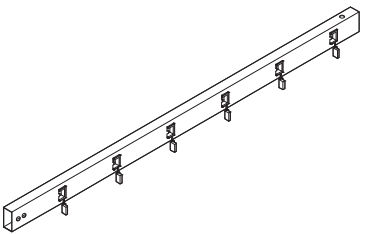
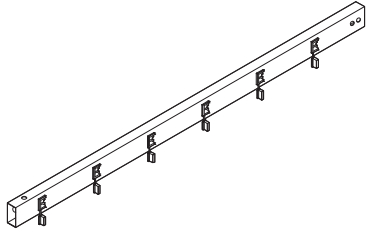
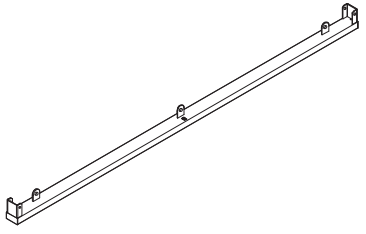
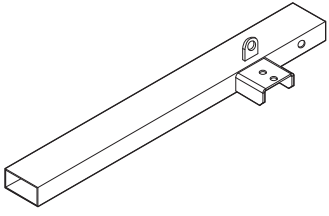
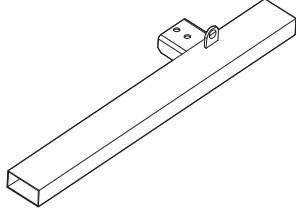
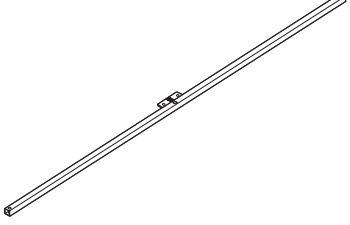
ORIGINAL INSTRUCTION MANUAL



DEAR CUSTOMER,

Thank you for choosing our product. Please read this manual carefully before assembling or using the product, to avoid damage caused by improper use. If the product is passed on to third parties, this manual has to be passed on along with the product. For any question don't hesitate to contact us.

PARTS LIST

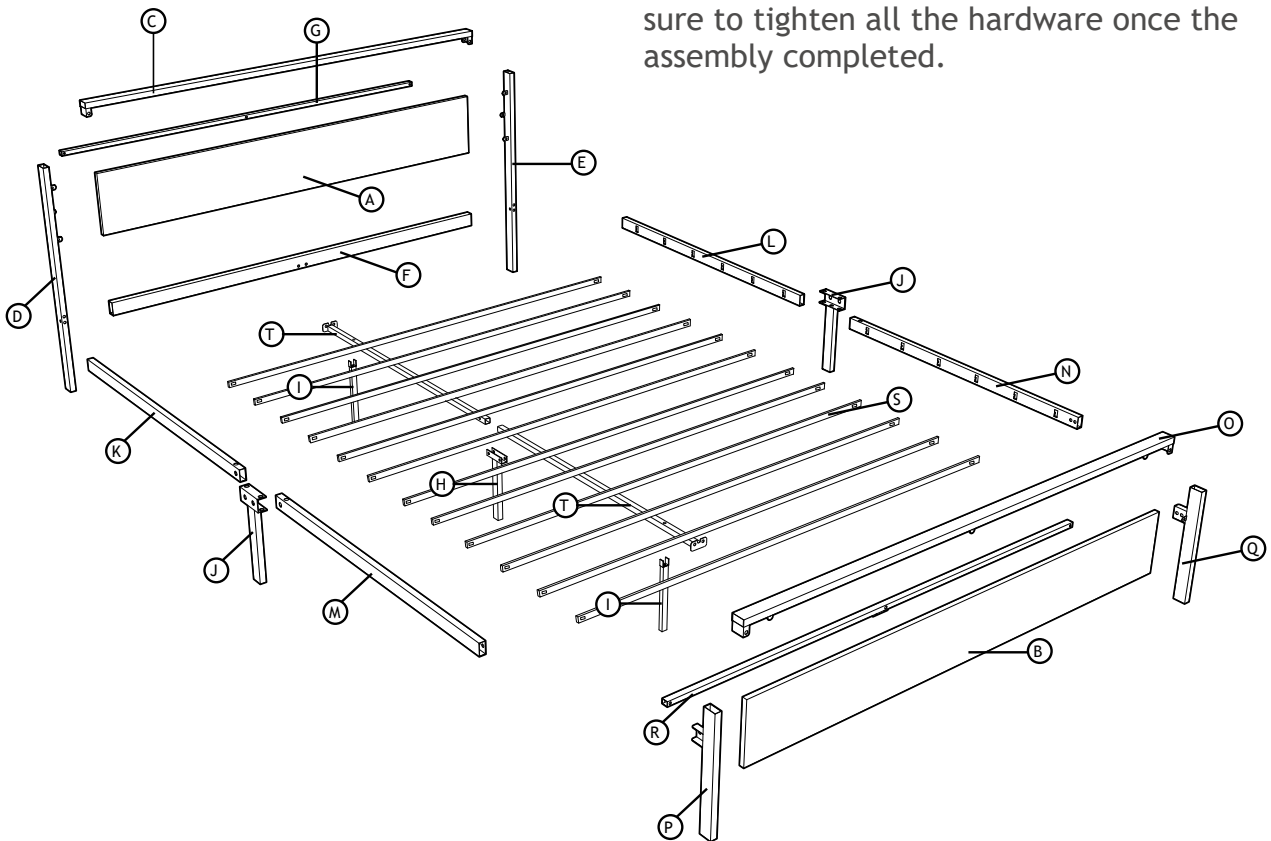
A 1× 	B 1× 	C 1× 
D 1× 	E 1× 	F 1× 
G 1× 	H 1× 	I 2× 
J 2× 	K 1× 	L 1× 
M 1× 	N 1× 	O 1× 
P 1× 	Q 1× 	R 1× 

S	12×	T	2×
U1	25×	U3	6×
M8×14		M8×40	
U2	2×	U4	8×
M8×30		M8×65	
		U5	2×
		M8×34	
		U6	1×



ASSEMBLY

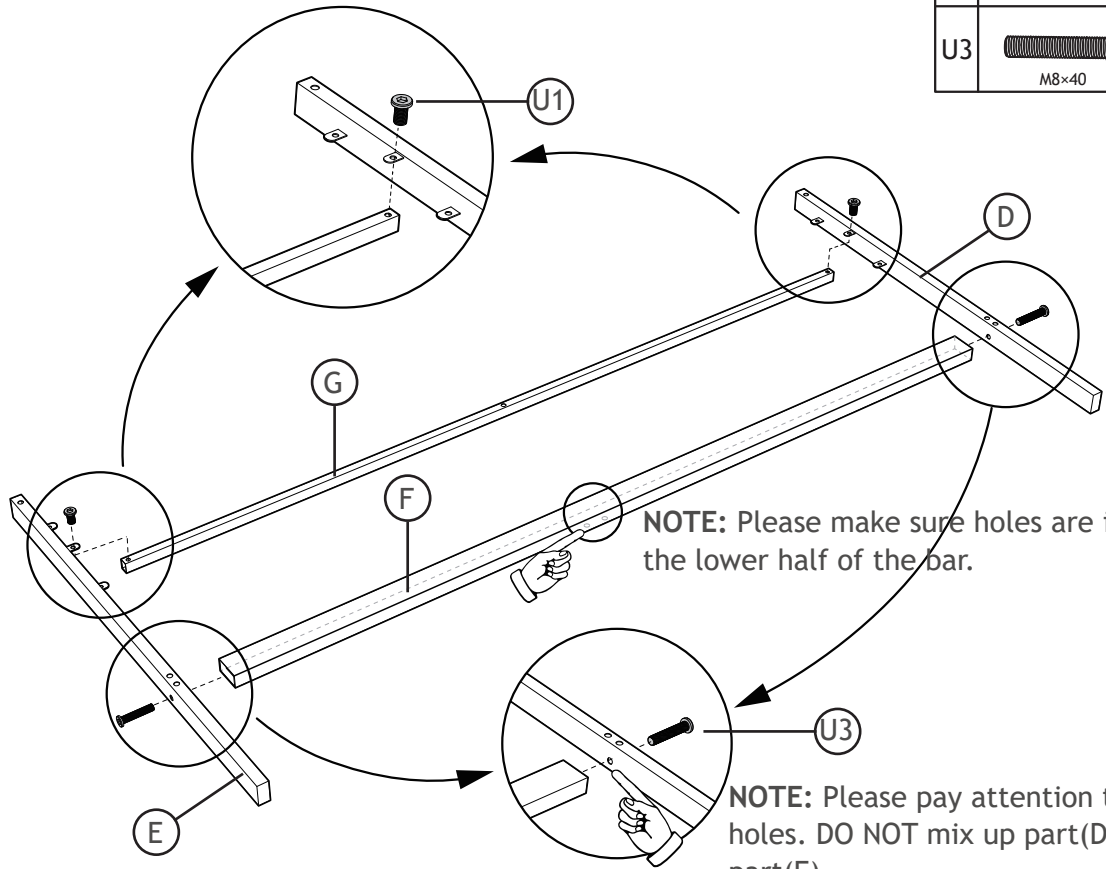
Before your installation, please make sure that you have all the parts listed on the manual. If you find something missing, stop installing and contact your supplier immediately.

NOTE: Please DO NOT tighten any hardware until all the components are assembled. Be sure to tighten all the hardware once the assembly completed.




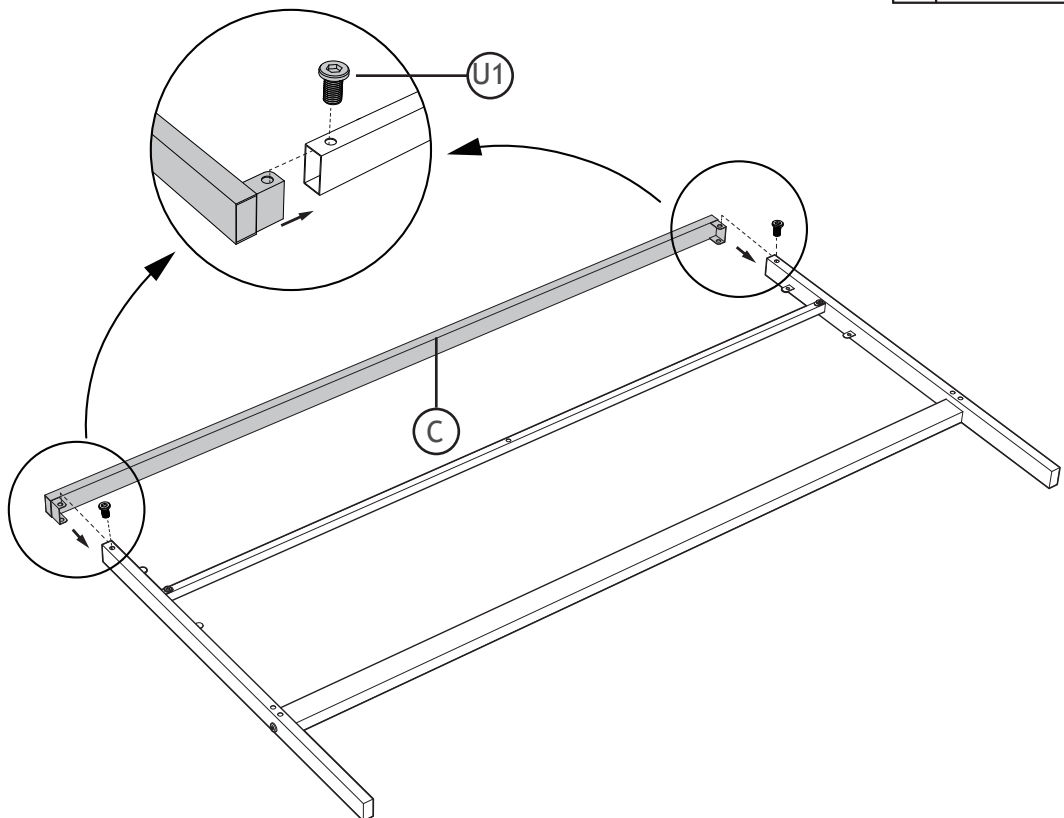
1

U1		2x
U3		2x

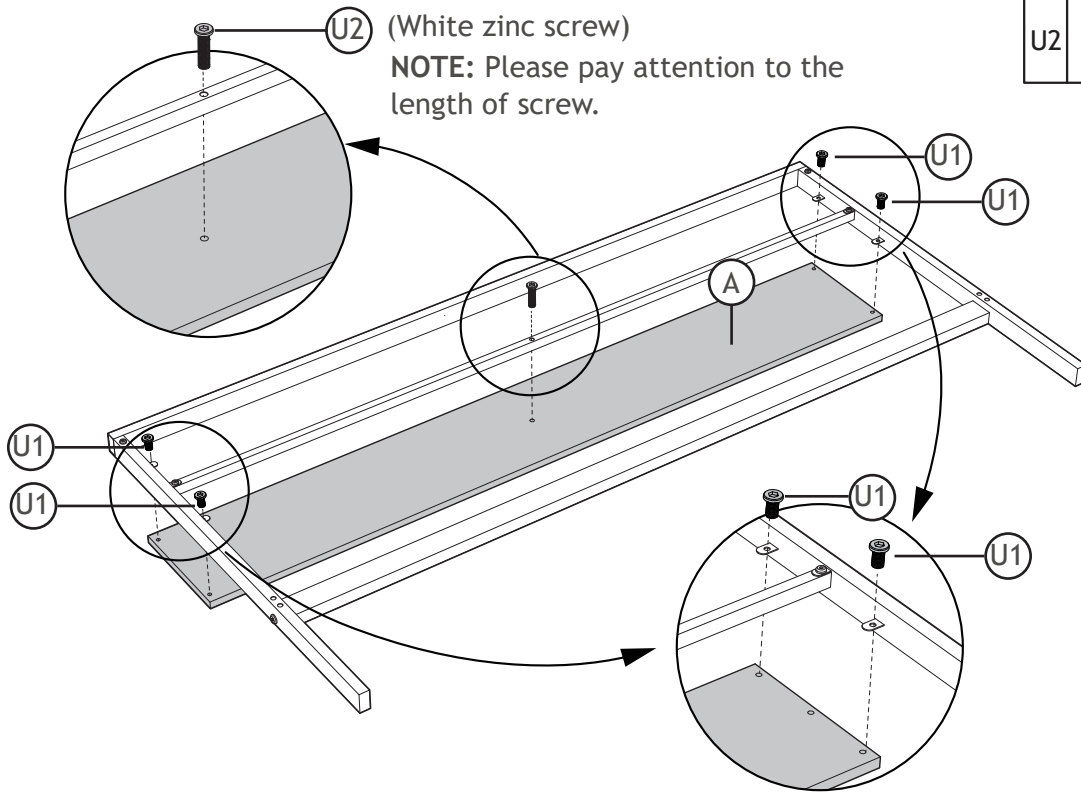




2

U1		2x
----	---	----

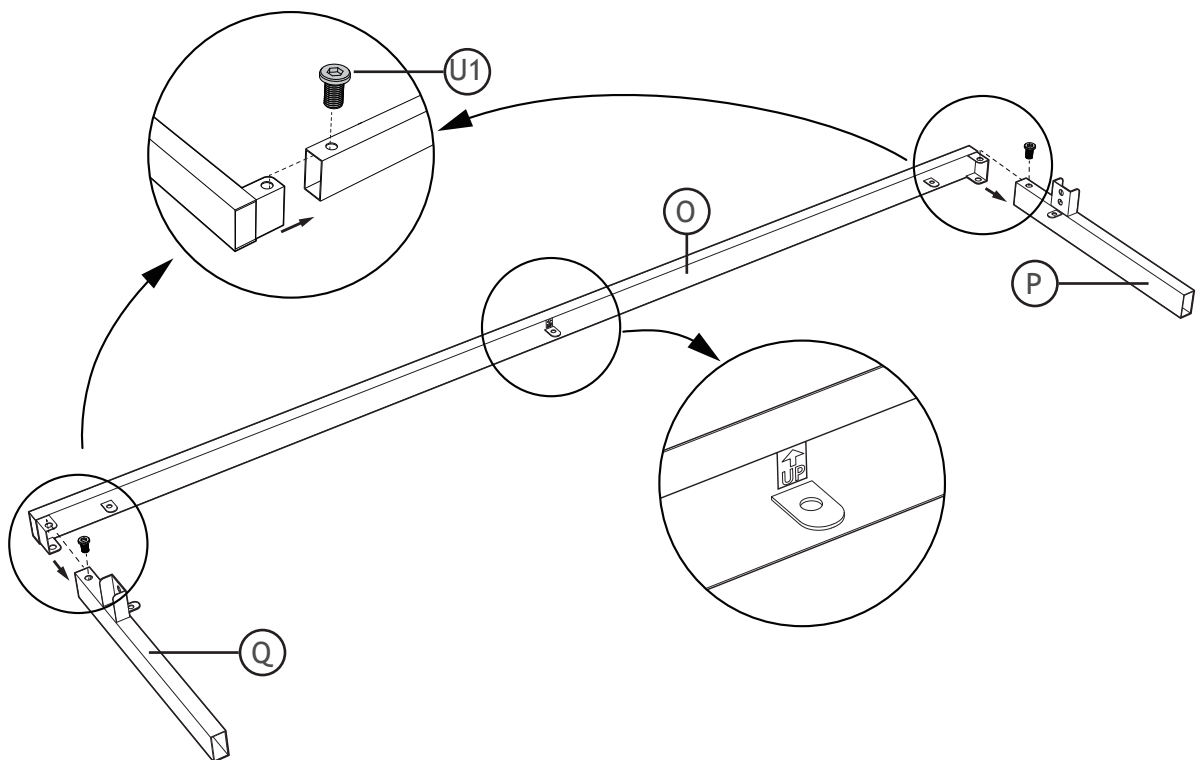



3






U1	 M8×14	4×
U2	 M8×30	1×

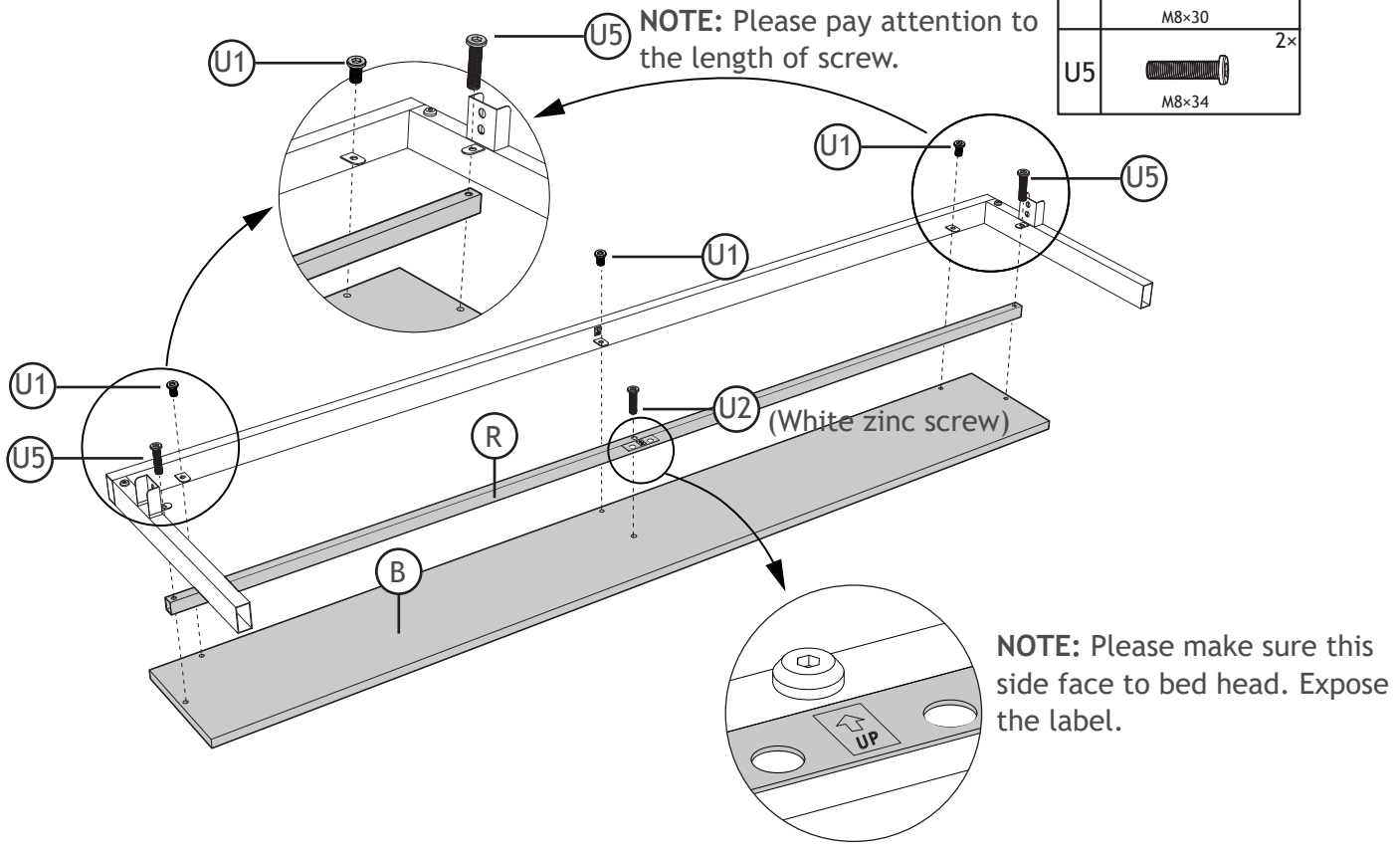
4





U1	 M8×14	2×
----	--	----

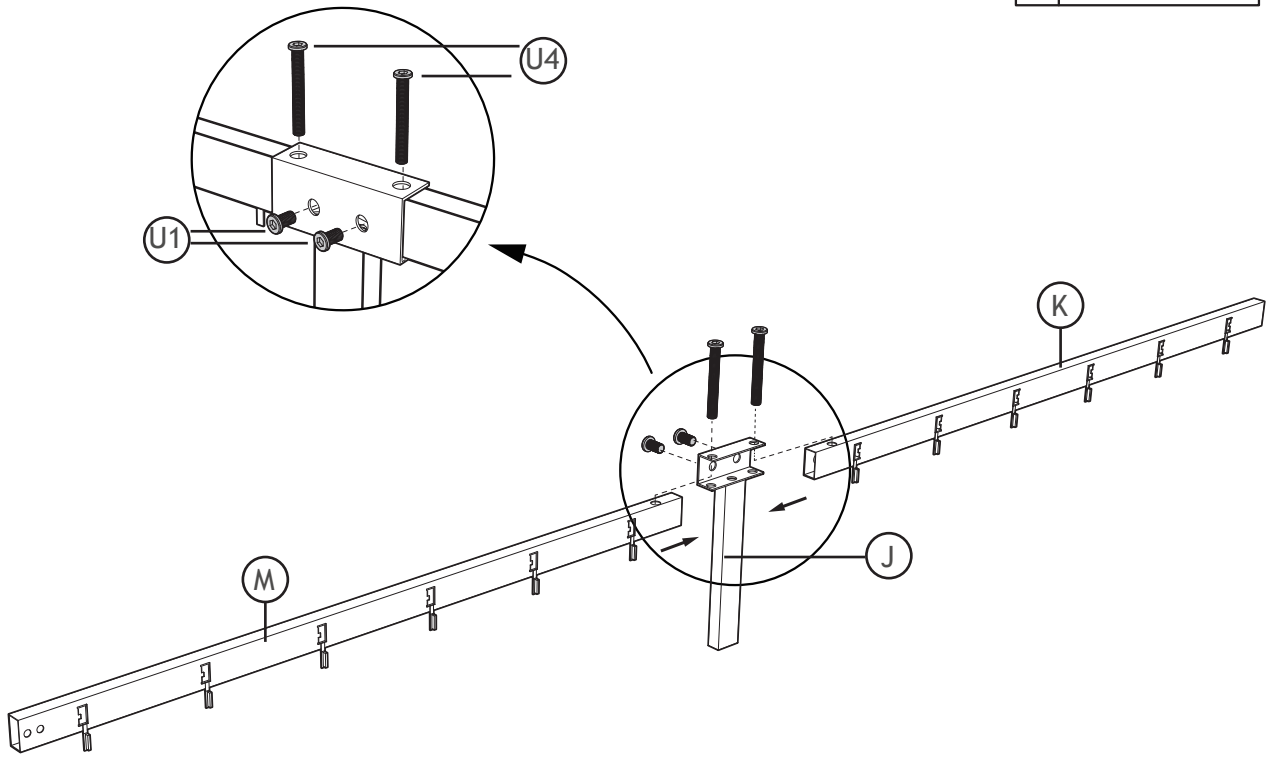
5

U1	 M8×14	3×
U2	 M8×30	1×
U5	 M8×34	2×





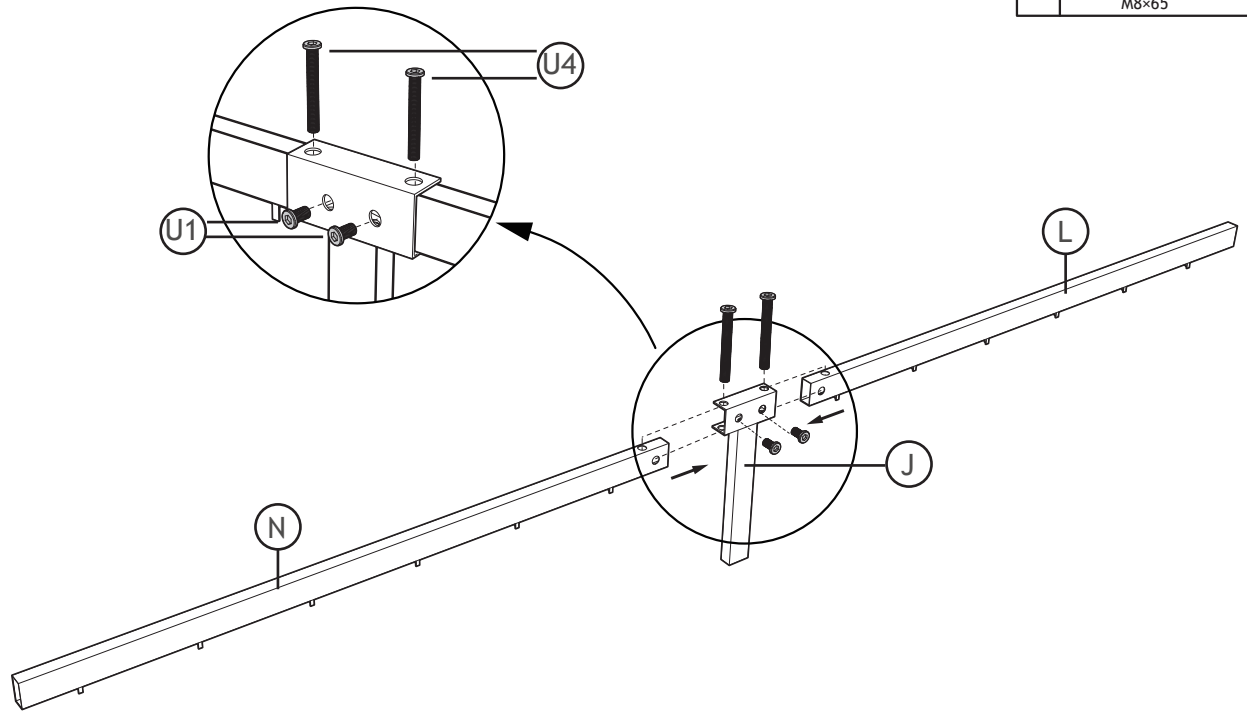
6

U1	 M8×14	2×
U4	 M8×65	2×




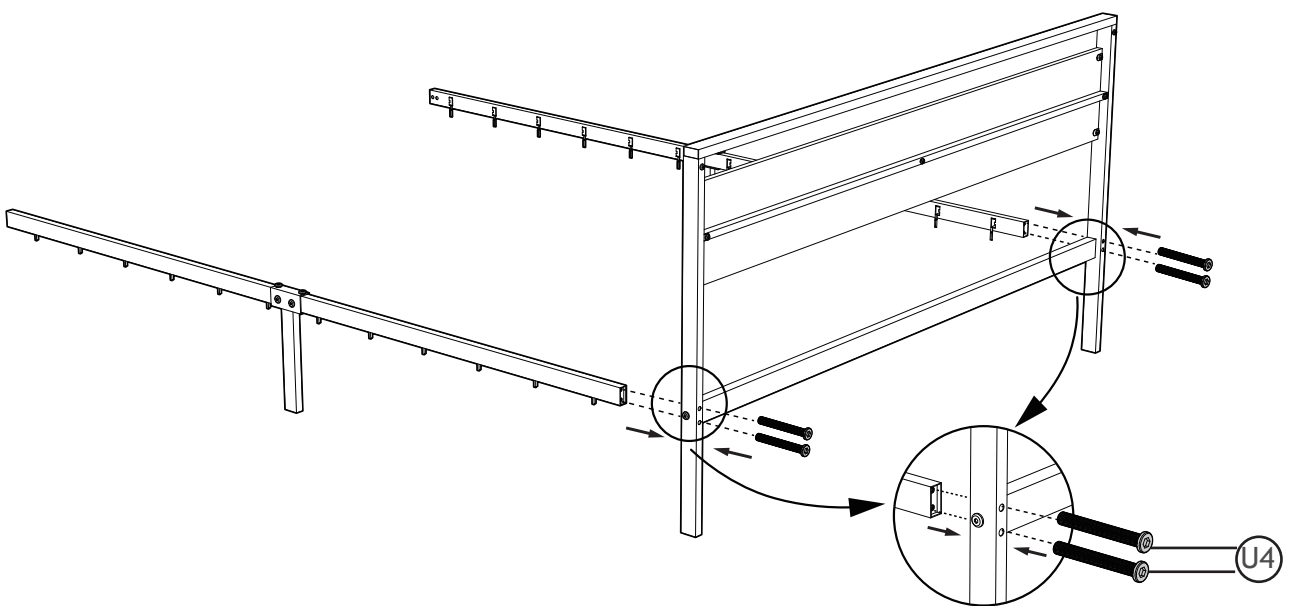
7

U1	 M8×14	2×
U4	 M8×65	2×




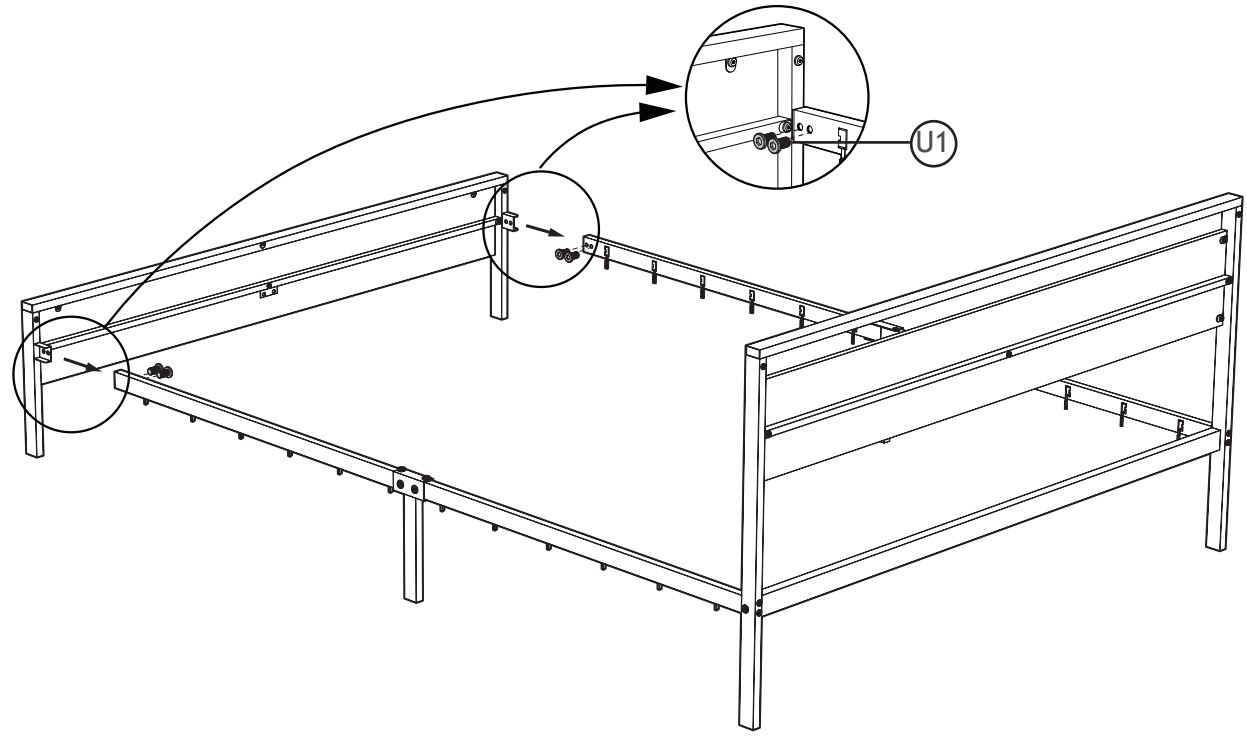
8

U4	 M8×65	4×
----	--	----



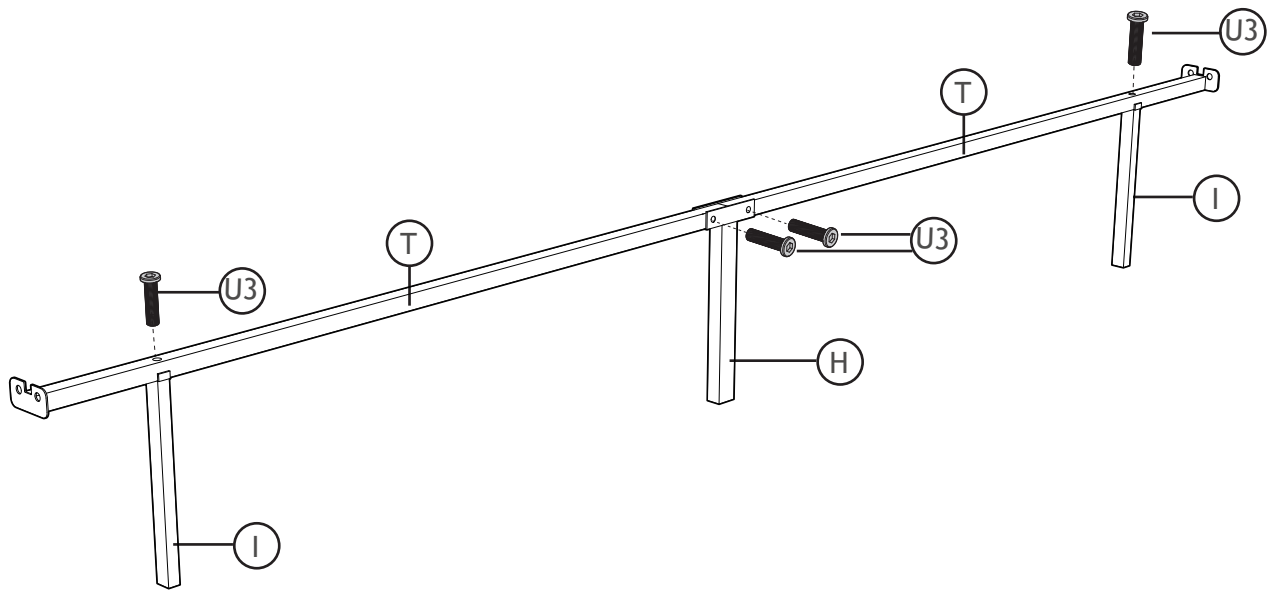
9

U1		4x
M8x14		




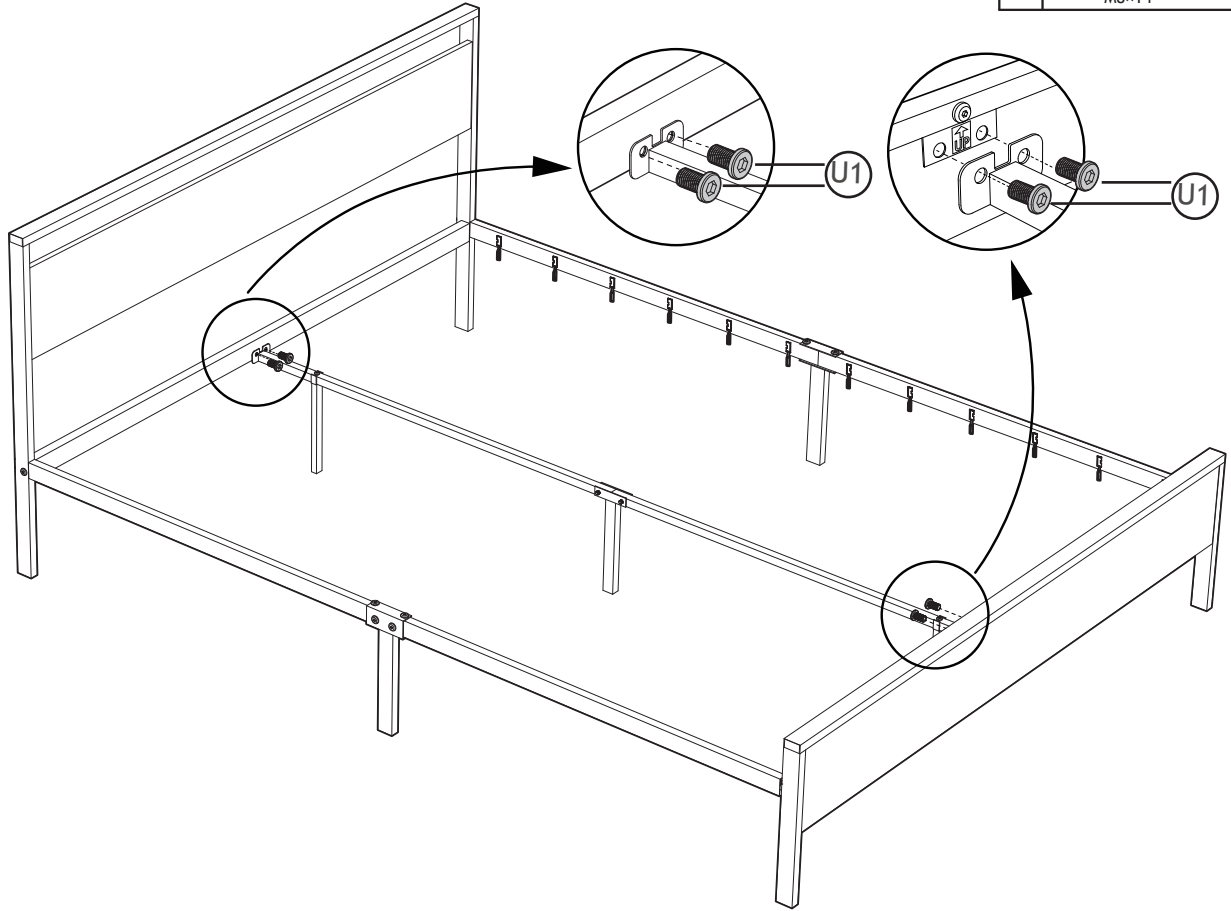
10

U3		4x
M8x40		



11

U1		4x
	M8x14	



12

NOTE: Please push to the bottom.

