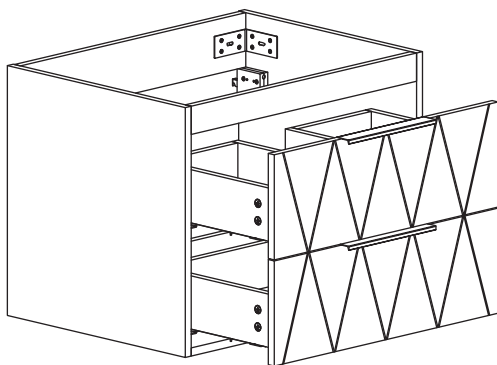
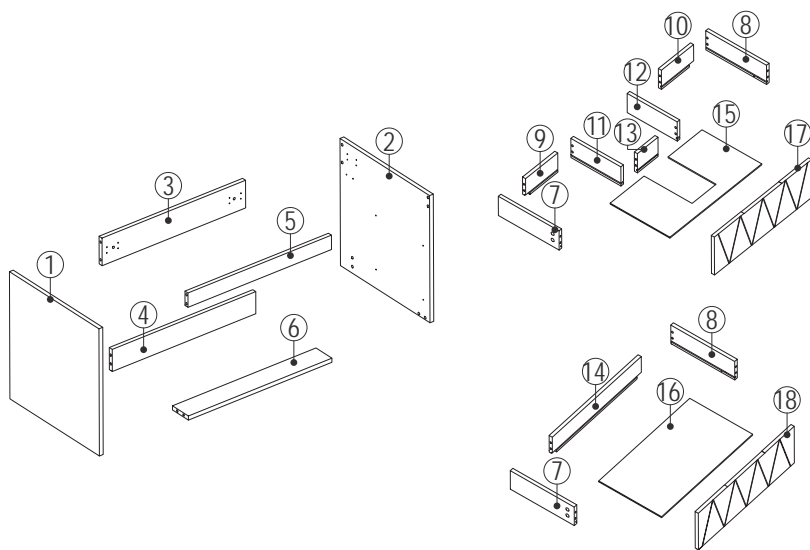


INSTALLATION INSTRUCTIONS
















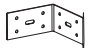










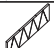
DIMENSIONS



ASSEMBLY DIAGRAM

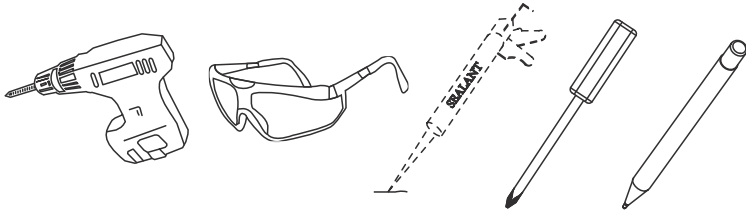


PARTS LIST

PARTS LIST			HARDWARE LIST		
No.	Description	QTY	No.	Description	QTY
1		1	19	 Three-in-one Connector	40
2		1	20	 Screws	24
3		1	21	 Handle	2
4		1	22	 Slider	2
5		1	23	 Hanger	2
6		1		 ST4x30 Screws	4
7		2		 ST4x50 Screws	6
8		2	24	 Bracket	2
9		1	25	 Screws For Fix On The Wall	2
10		1			
11		1			
12		1			
13		1			
14		1			
15		1			
16		1			
17		1			
18		1			


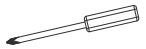
CAUTION: Please confirm the parts list before installtion

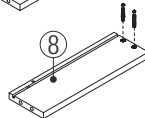
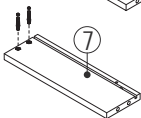
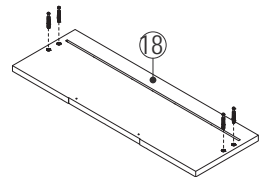
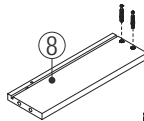
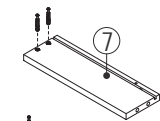
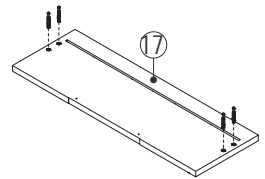
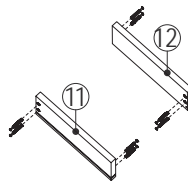
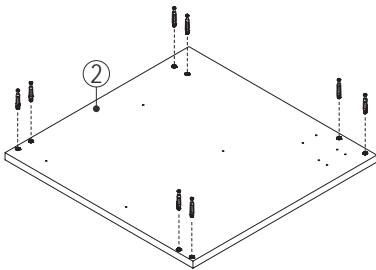
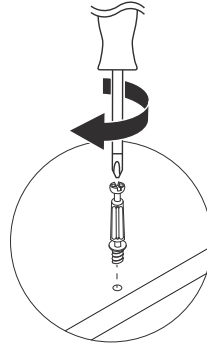
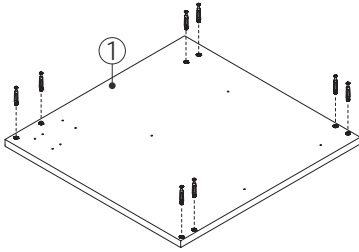
YOU MAY NEED (NOT SUPPLIED)



INSTALLATIONS

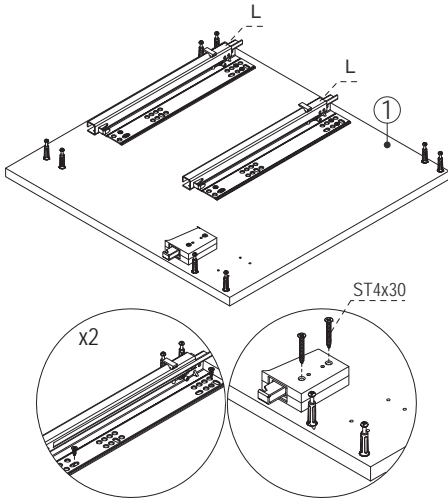
STEP 1

HARDWARE LIST		
19		40 PCS
		

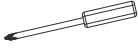
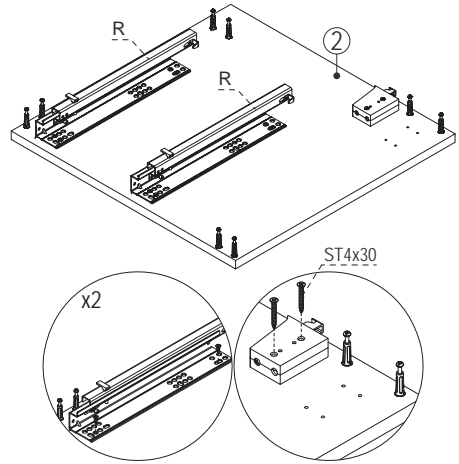


● Insert the Cam Screw into the shelves above.

STEP 2

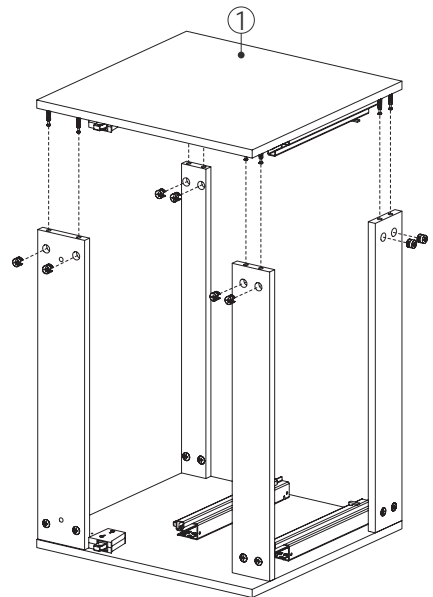
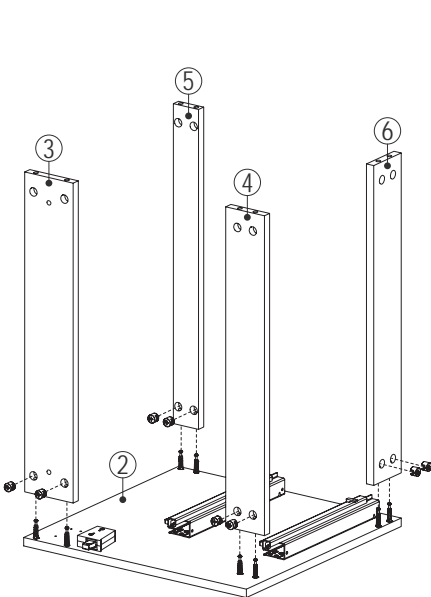


HARDWARE LIST		
20		8 PCS
22		2 PCS
23		2 PCS
23	(ST4x30)	4 PCS


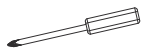




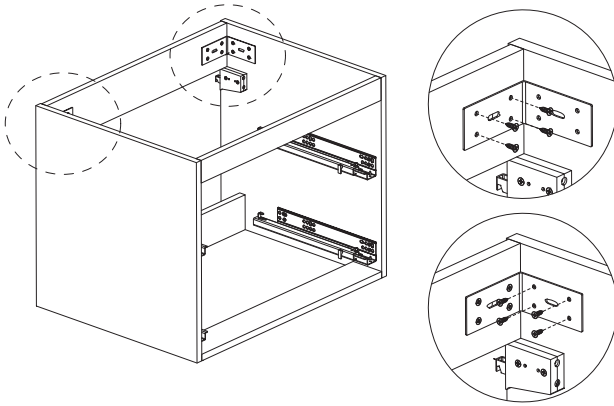
STEP 3

HARDWARE LIST		
19		16 PCS


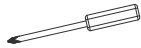





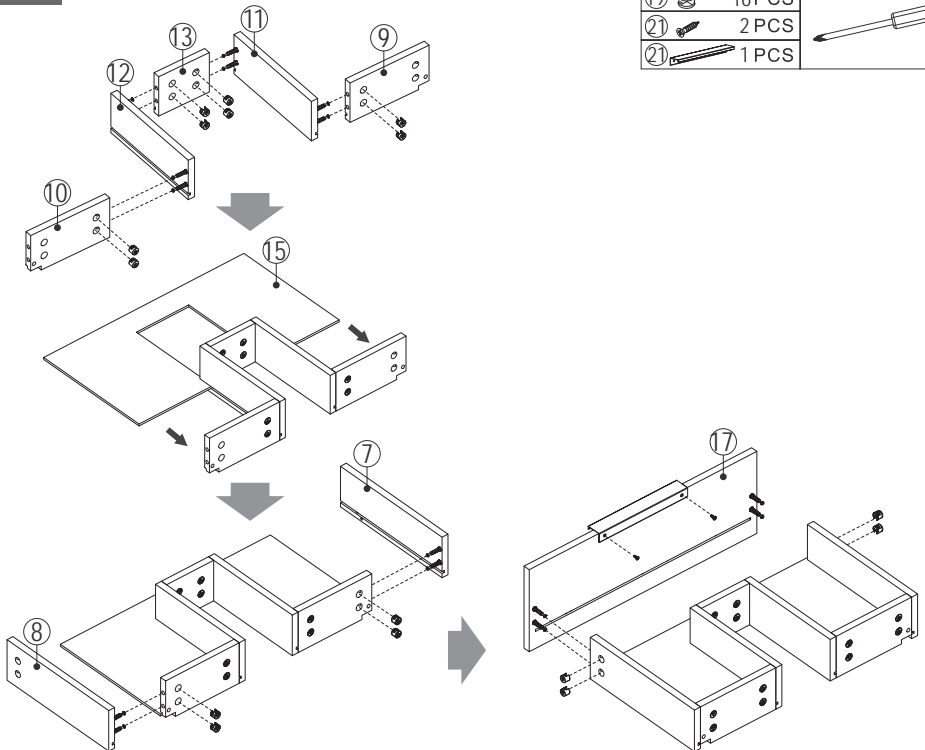
STEP 4

HARDWARE LIST			
24		2 PCS	
20		16 PCS	

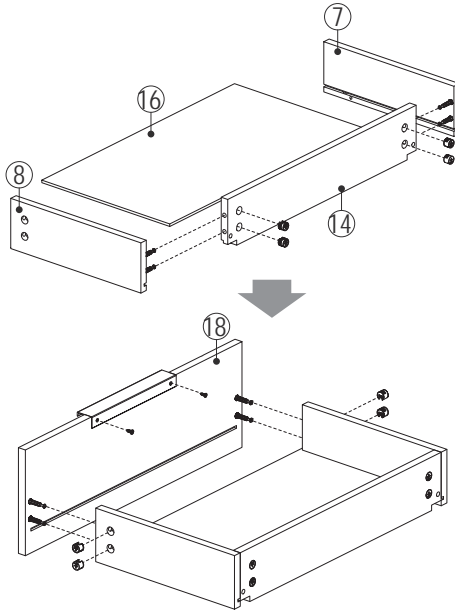


STEP 5

HARDWARE LIST			
19		16 PCS	
21		2 PCS	
21		1 PCS	

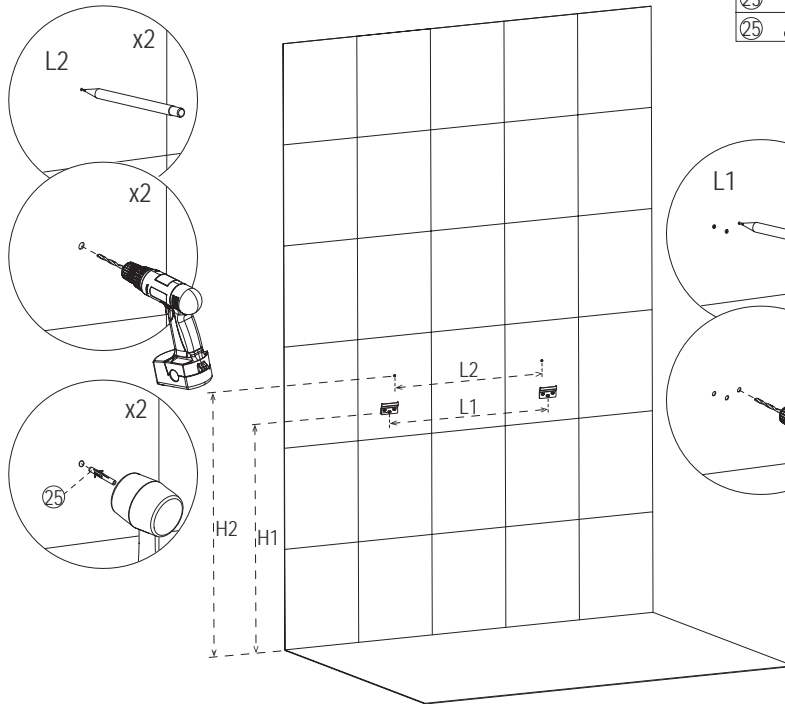


STEP 6

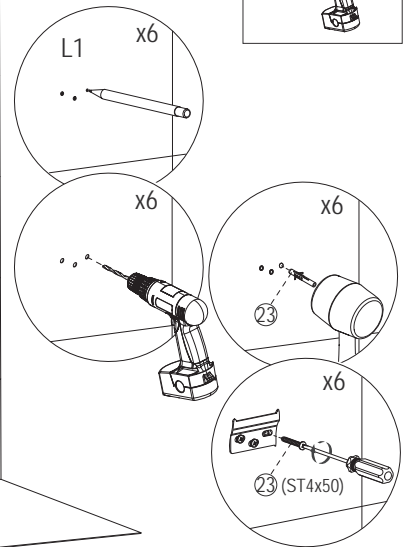


HARDWARE LIST			
19		8 PCS	
21		2 PCS	
21		1 PCS	

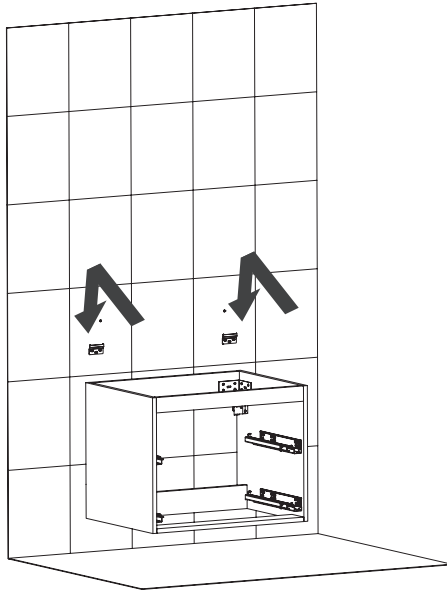
STEP 7




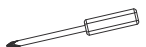
HARDWARE LIST			
23		2 PCS	
23		6 PCS	
23		6 PCS	
25		2 PCS	

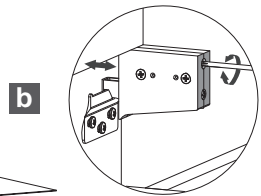
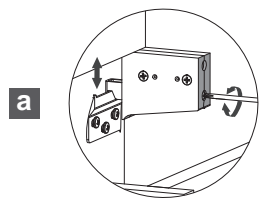
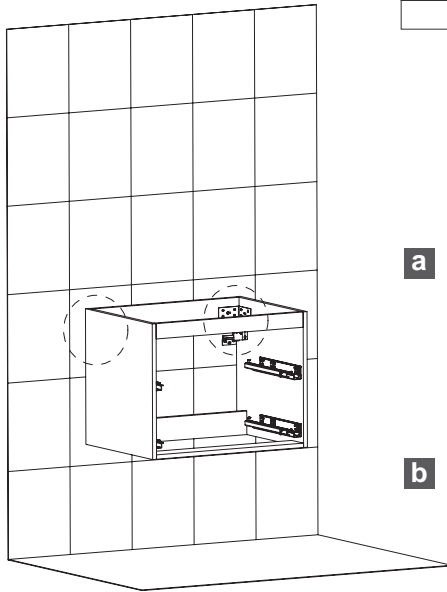
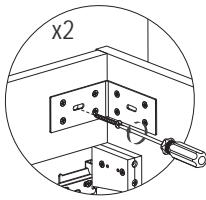


STEP 8



STEP 9

HARDWARE LIST	
25 	2 PCS 

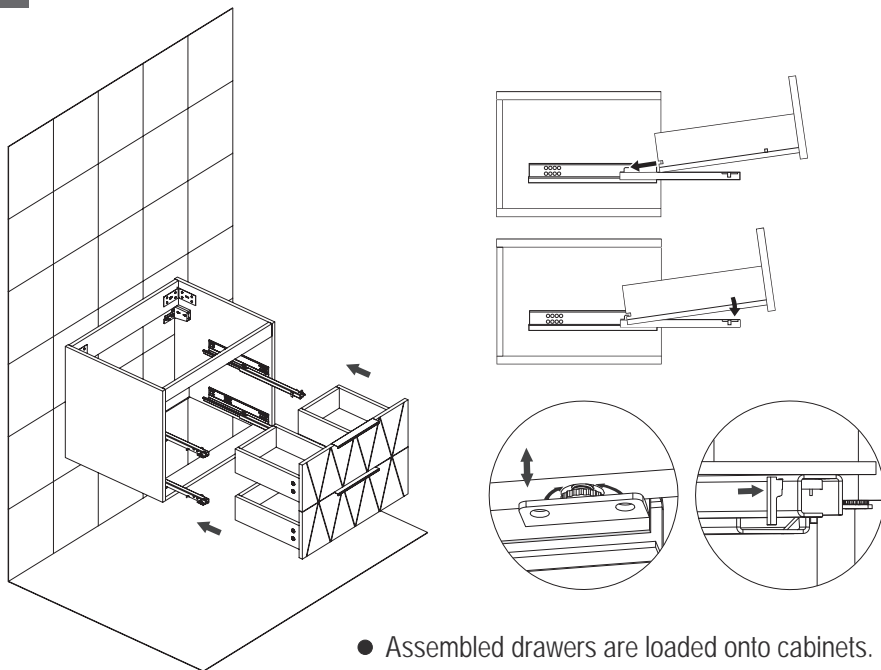


● Through the screw to adjust position of the hanger.

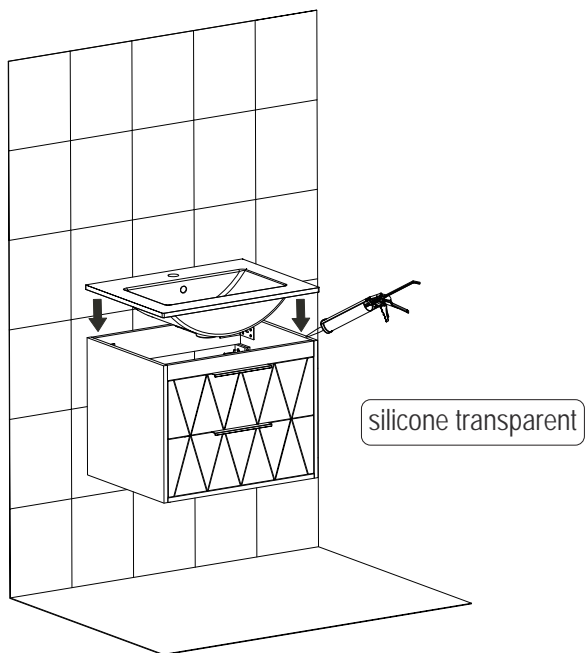
a up and down

b front and back

STEP 10



STEP 11



CARE AND CLEANING

1. Many cleansers contain abrasive and chemical substance which is not suitable for cleaning stainless steel, enamel, plating or plastic products. You may use mild cleansers or soaps to clean the surfaces. Wipe any splashes of cleaner solutions from the surface with a clean soft cloth.
2. Maintain ventilation in the bathroom and separate the dry area from the damp one if conditions permit. Try to open the door and windows of the bathroom to maintain adequate ventilation.
3. This cabinet is built to withstand normal bathroom humidity. For best results, keep this vanity dry and take necessary steps to minimize bathroom humidity by opening windows and doors and using the exhaust fan (if available).
4. To maintain the cabinet door, clean and wipe the door regularly with a soft cloth. Wipe condensation with a dry, soft cloth. Keep away from fires and high temperatures.
5. Please do not sit, lean or step on the basin cabinet.