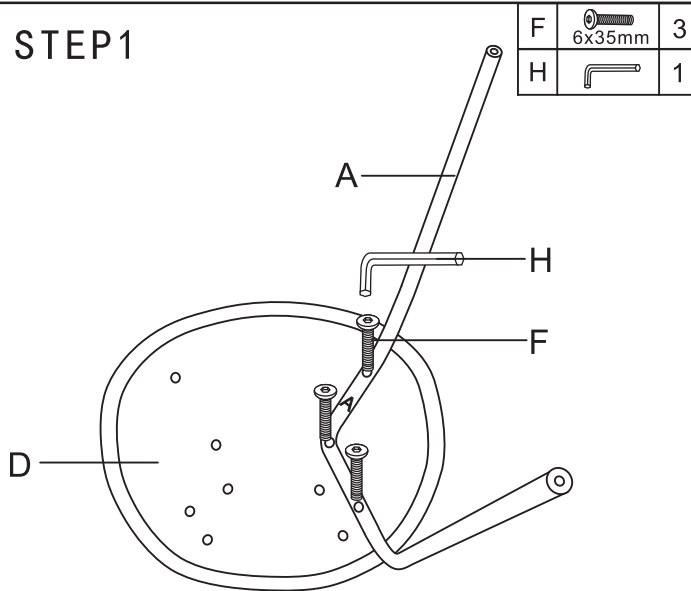


Ax1 	Bx1 	Cx1 	Dx1
Ex1 	Fx10 6x35mm 	Gx3 6x25mm 	Hx1
Ix4 			

SPARE (Ersatzteile)

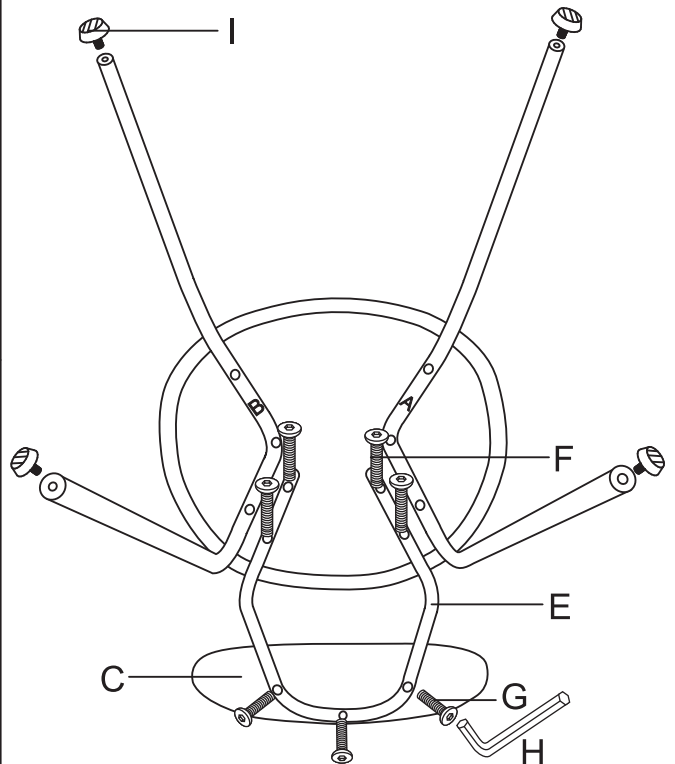
Fx1 6x35mm 	Gx1 6x25mm 	Ix1 		
-------------------	-------------------	---------	--	--

STEP1



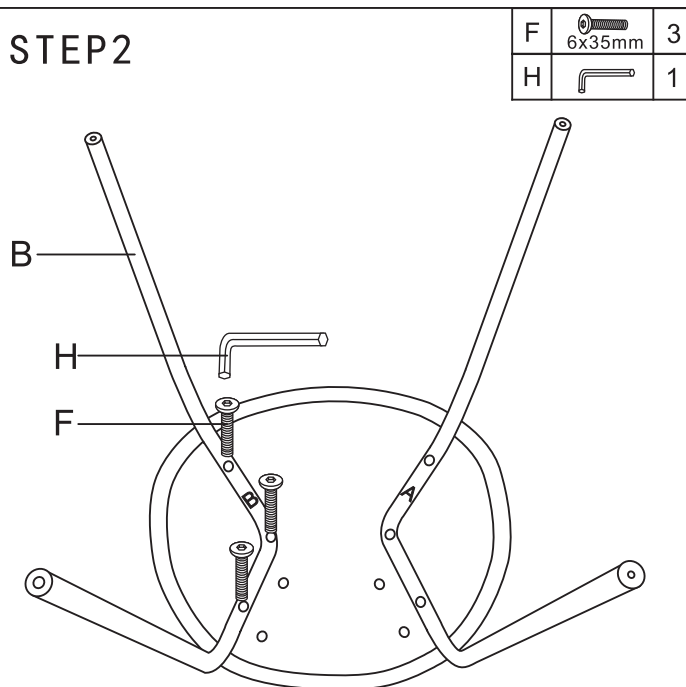
F		3
H		1

STEP3



F		4
G		3
H		1
I		4

STEP2



F		3
H		1