

# Upholstered Bed ASSEMBLY INSTRUCTIONS

4ft  
4ft6  
5ft

Thank you for purchasing this upholstered bed frame, hand crafted in the CN.  
Please read the instructions carefully to ensure safe and satisfactory use of this bed.  
These instructions are for a Small Double/Double/Queen bed frame. Picture for reference only.

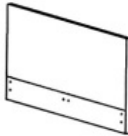




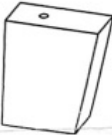







Please check the pack contents before attempting assembly. See checklist below.

This product is HEAVY, it should be assembled as near as possible to the point of use.  
**TAKE CARE WHEN LIFTING** to avoid personal injury and (or) damage to the product.

This product takes approximately 30 MINUTES to assemble with 2 PEOPLE.

The fittings pack contains SMALL ITEMS which should be KEPT AWAY FROM YOUNG CHILDREN

## Fittings and parts checklist

 1 Headboard x1	 2 Footboard x1	 3 Side Rail x2	 4 Bent Slats (4FT x24) (4FT6 x24) (5FT x26)	 5 Plastic Slat Caps (4FT x24) (4FT6 x24) (5FT x26)
 6 Leg x4	 7 Centre Slat Caps (4FT x12) (4FT6 x12) (5FT x13)	 8 Central beam x1	 9 Centre Support Leg x2	
 A 50mm M8 Bolt x4	 B Allen Key x1	 C 30mm M6 Bolt x4	 F Allen Key x1	

Please note: The following bolts have been installed in their final positioning, please turn 1/2" counterclockwise and start assembly.

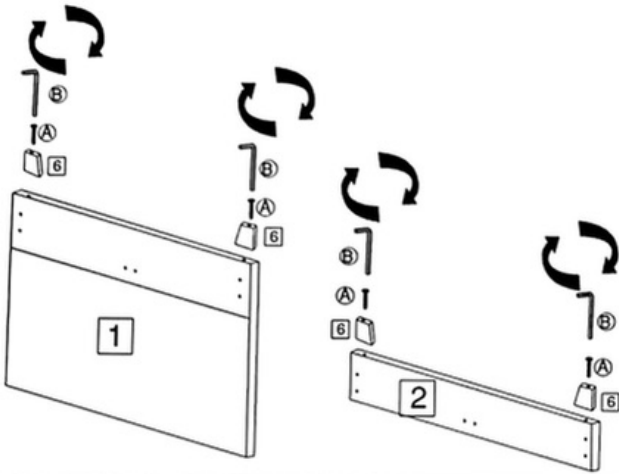
 D 25mm M8 Bolt x8	 E 30mm M8 Bolt x4	
--	--	--

## Safety Instructions

1. Never drag furniture when moving it, always lift it.
2. Periodically check all fixings to ensure none have come loose and re-tighten where necessary.
3. Please take care when handling or moving the furniture as careless handling may cause damage or injury.
4. Furniture can be dangerous if incorrectly installed.  
Assembly should be carried out by a competent person.  
No liability will be accepted for damage or injury caused by incorrectly installed or assembled furniture.

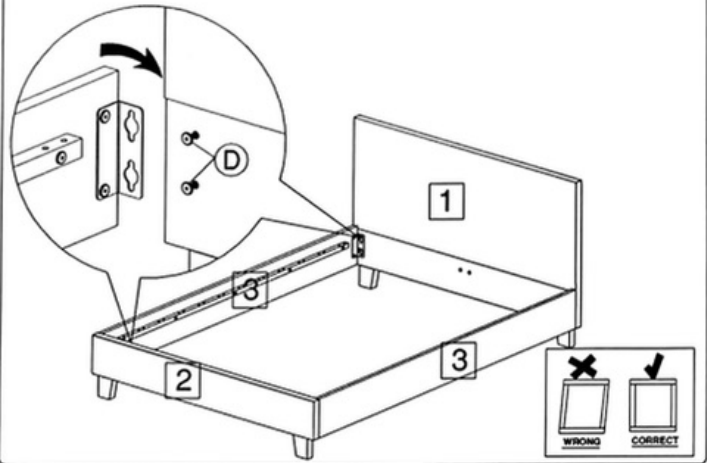
## Step One

Lock the foot of the bed (6) on the head and tail of the bed with a wrench (B) and a bolt (A), as shown in the figure.

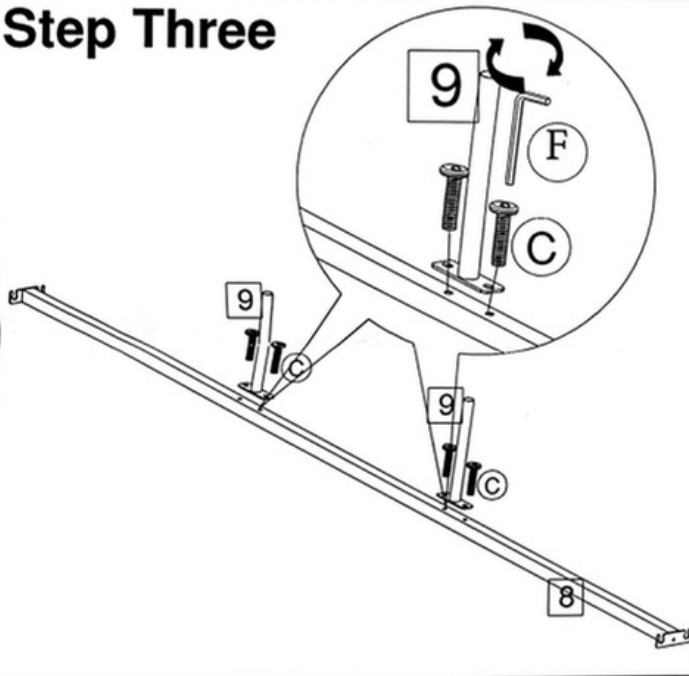


## Step Two

Before assembly, turn the bolt (D) counterclockwise about 1/2 inch, and hang Side Rail into the bolt (D) as shown in the figure.

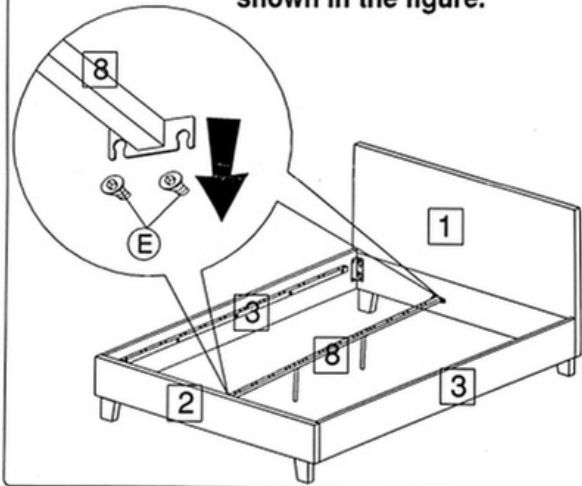


## Step Three



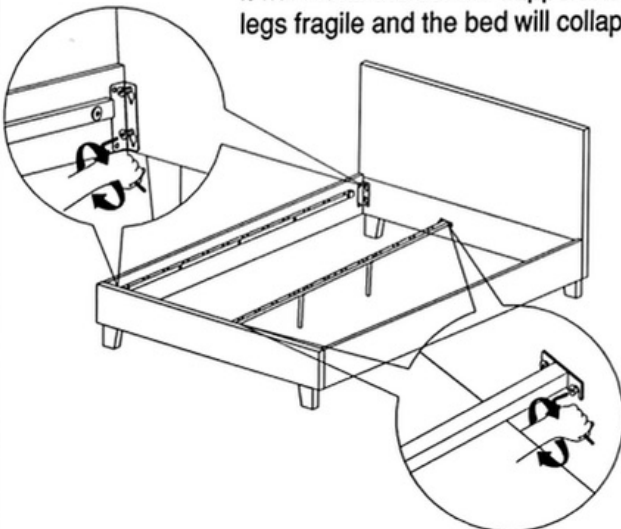
## Step Four

Before assembly, turn the bolt (E) counterclockwise about 1/2 inch, and hang Side Rail into the bolt (E) as shown in the figure.



## Step Five

Tighten all bolts before use. Otherwise, it will make the central support rail and legs fragile and the bed will collapse.



## Step Six

Insert the curved slats (4) into the plastic slat covers (5), (7), align the holes in the side rails (3) and fasten them.

