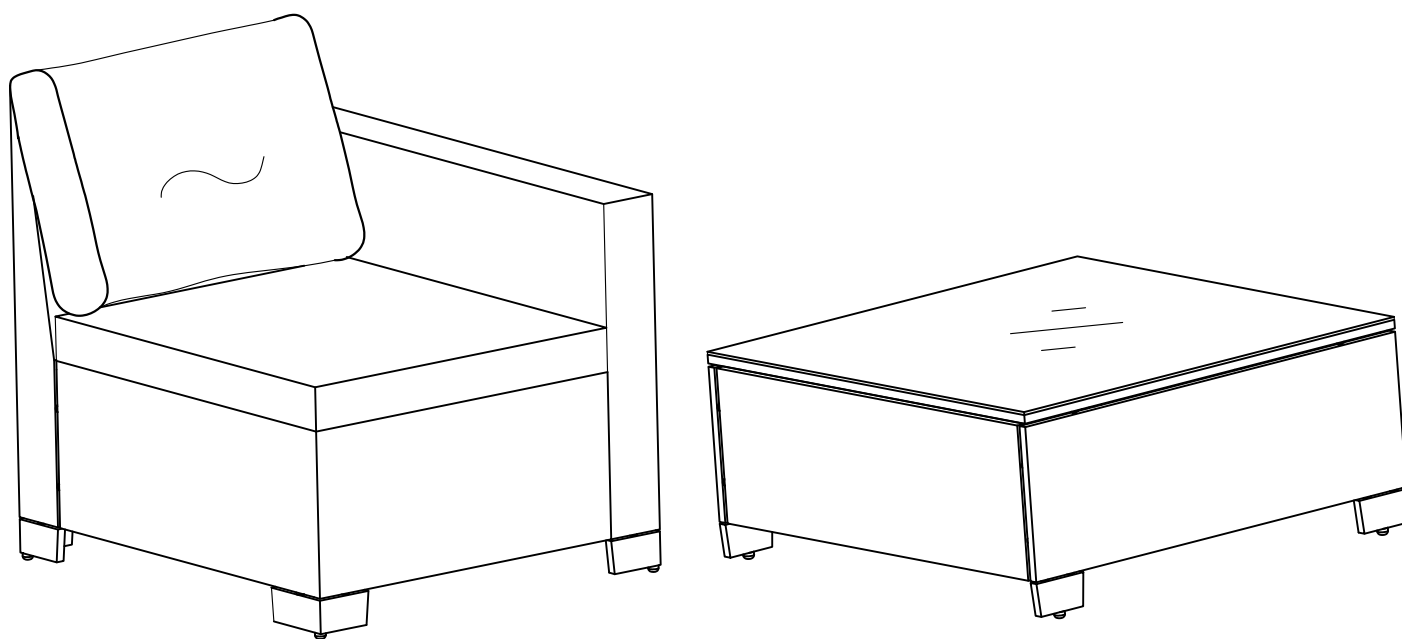


# SOOHOW

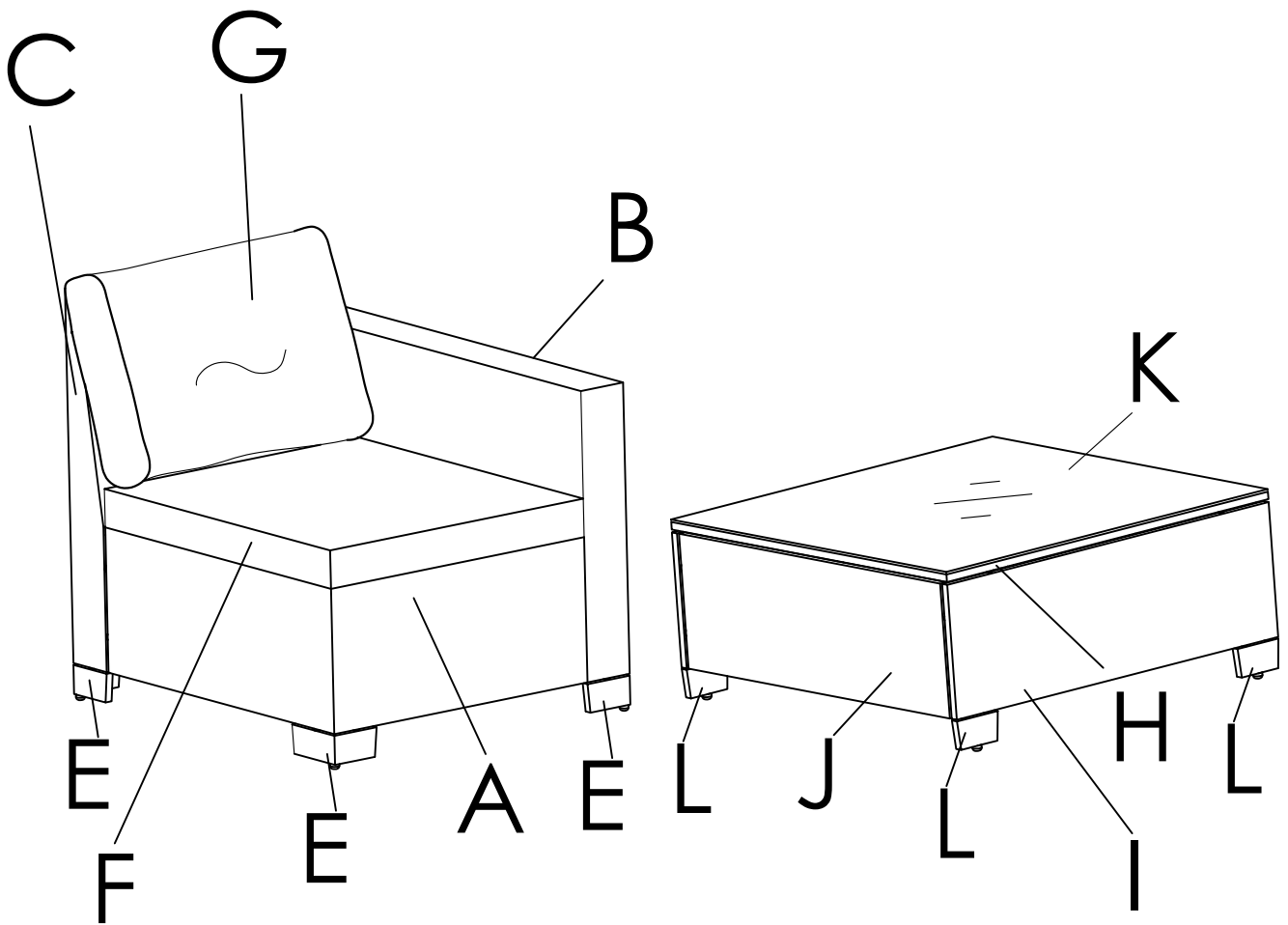
## Assembly Manual Sofa & Tea Table CS004



Please read this manual carefully before any operation and keep it properly for future use.

If any problems on our product, please feel free to contact us at [ecservice@isunon.com](mailto:ecservice@isunon.com).

# Exploded View



# Components List

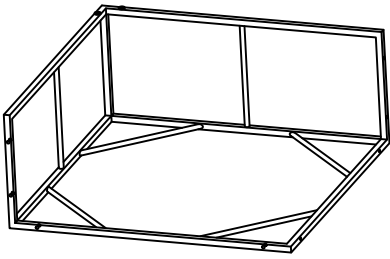
30min

Assemble Time



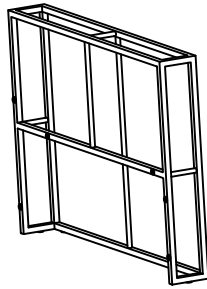
One People

A



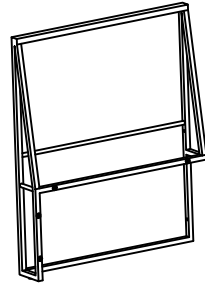
Seat (X1)

B



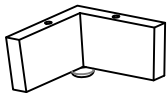
Armrest (X1)

C



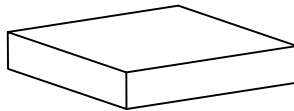
Back (X1)

E



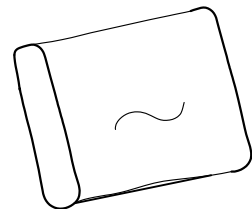
Plastic foot (X4)

F



Seat Cushion (X1)

G



Back Cushion (X1)

# Components List

30min

Assemble Time



One People

H

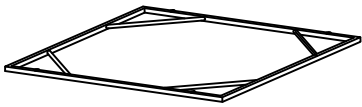
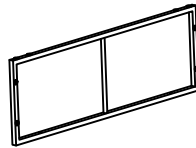


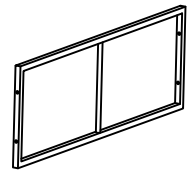
Table Top (X1)

I



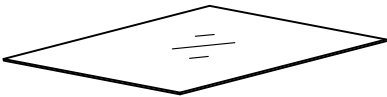
Foot (X2)

J



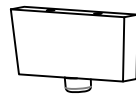
Connector (X2)

K




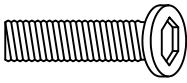


Glass (X1)

L



Plastic foot (X4)

# Components list

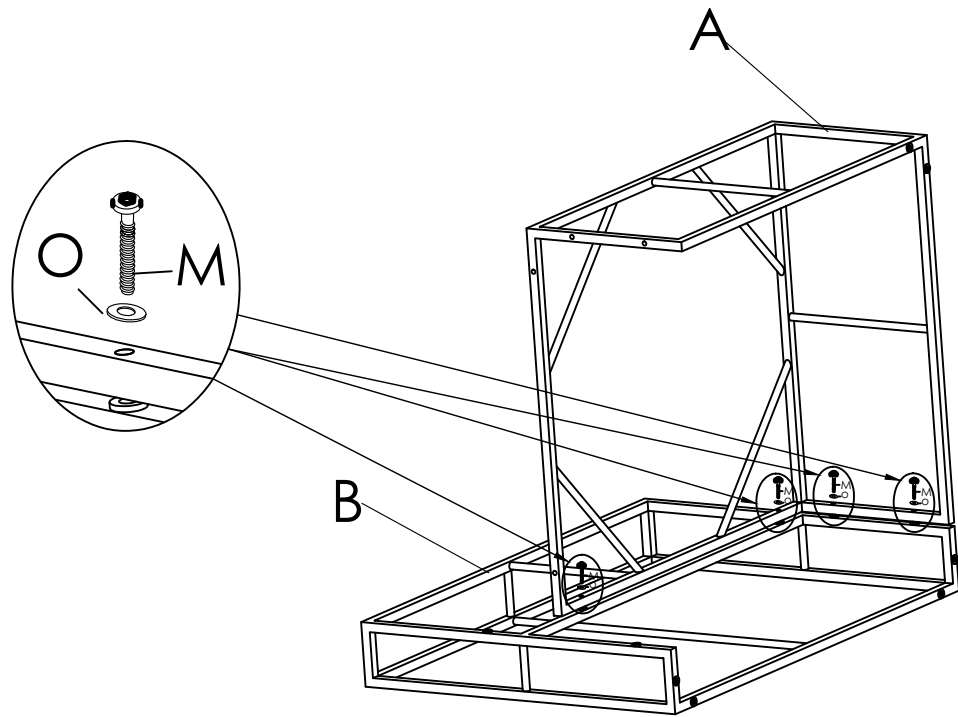
M			N			O		
								
Bolt	M6x35	22+2	Bolt	M6x45	16+2	Washer	M6	22+2
P								
								
Allen wrench	M6	1						

NOTE: The number after "+" sign indicates the extra piece(s).

# Assembly Instruction

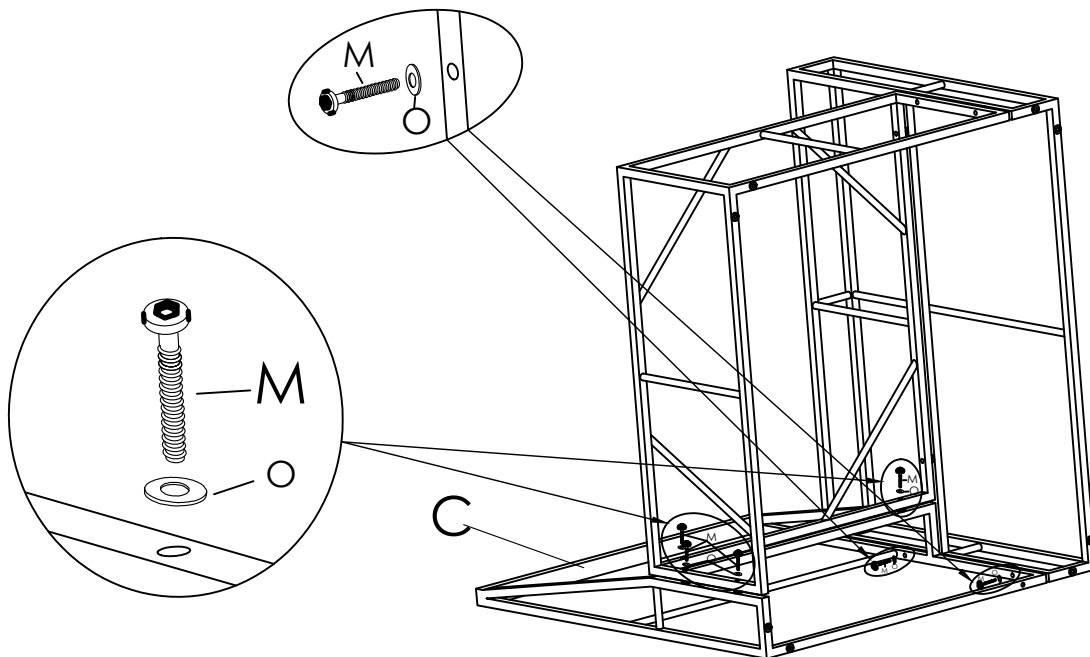
## STEP 1

Align sofa seat(A) and armrest(B) together using washers(O).bolts(M)and Allen wrench(P).  
Hand-tighten all screws to about 80% first. After all screws are in place, tighten them fully in sequence



## STEP 2

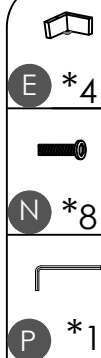
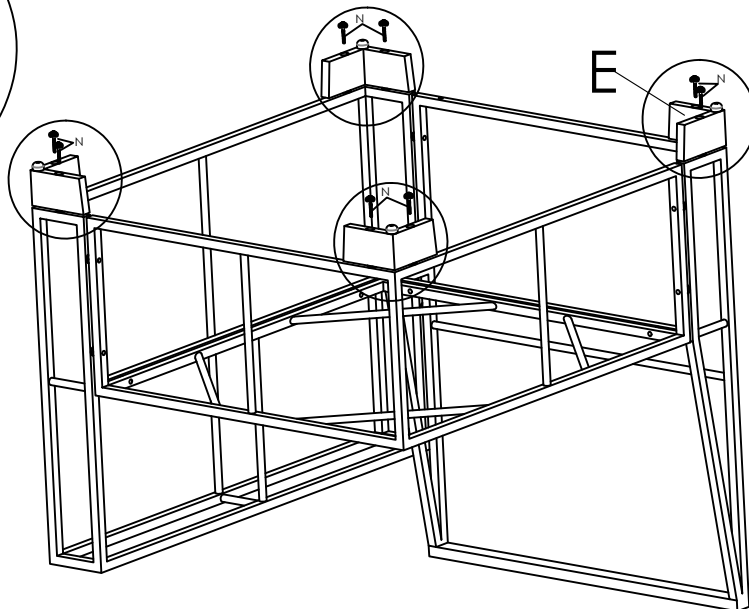
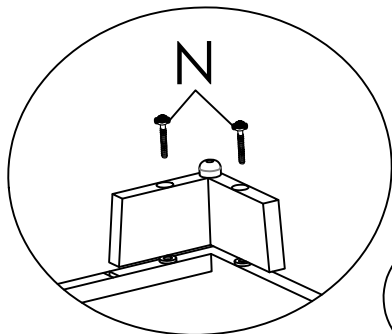
Attach sofa back(C) to the seat using washers(O).bolts(M)and Allen wrench(P).  
Hand-tighten all screws to about 80% first. After all screws are in place, tighten them fully in sequence



# Assembly Instruction

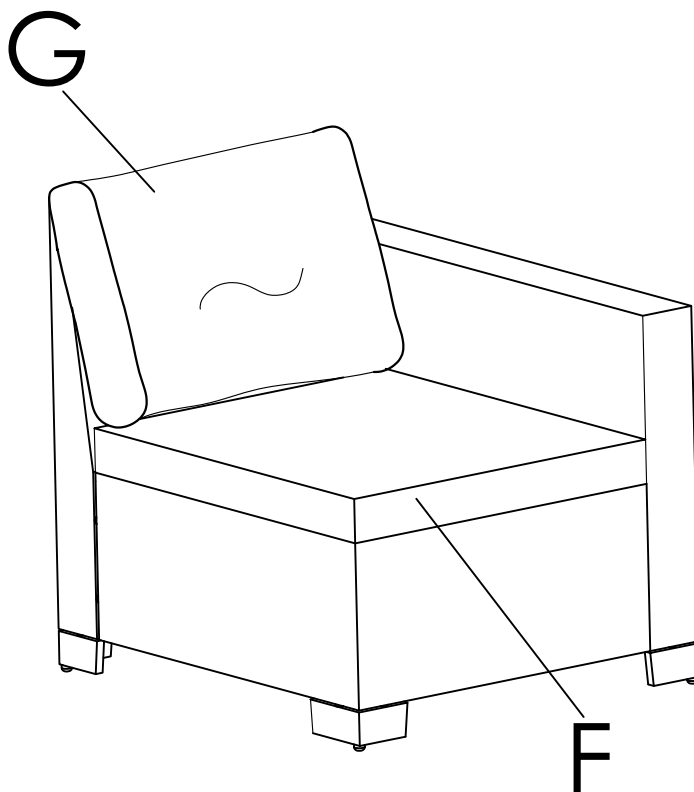
## STEP 3

Attach plastic foot(E) to the seat using bolts(N) and Allen wrench(P).



## STEP 4

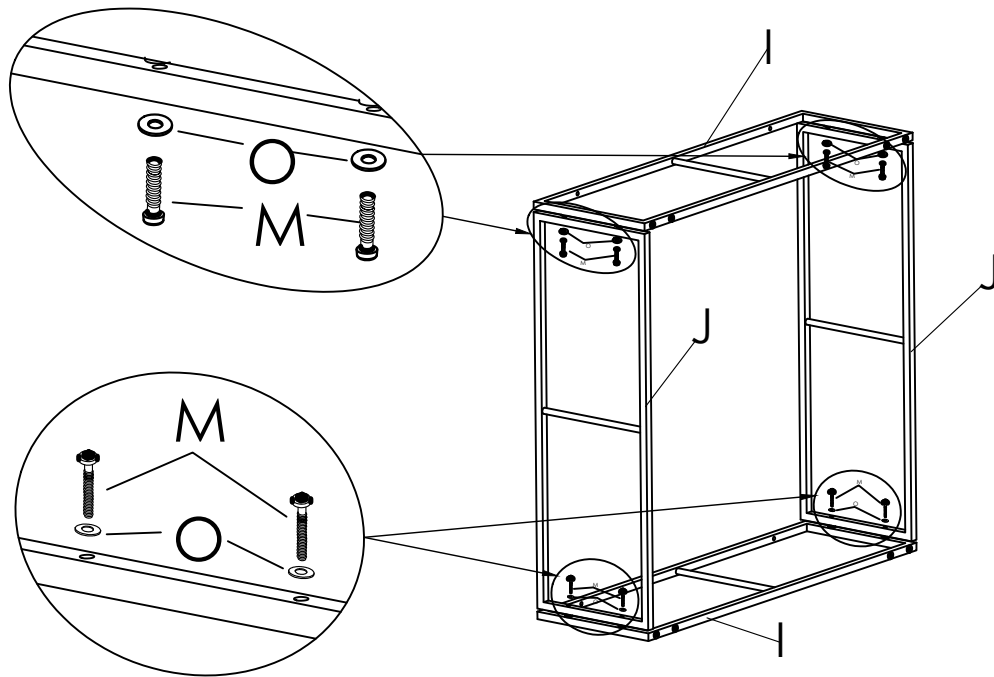
Flip the Sofa over and put seat cushion(F) and back cushion(G) on the Sofa. The assembly is done.



# Assembly Instruction

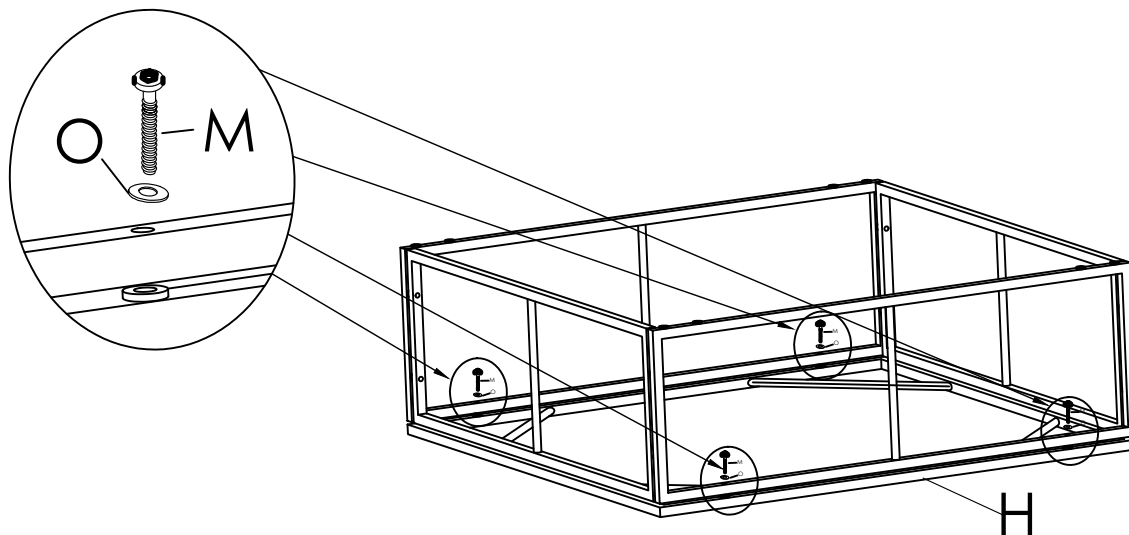
## STEP 5

Align Foot(I) and connectors(J) using washers(O),bolts(M)and Allen wrench(P).  
Hand-tighten all screws to about 80% first. After all screws are in place,  
tighten them fully in sequence



## STEP 6

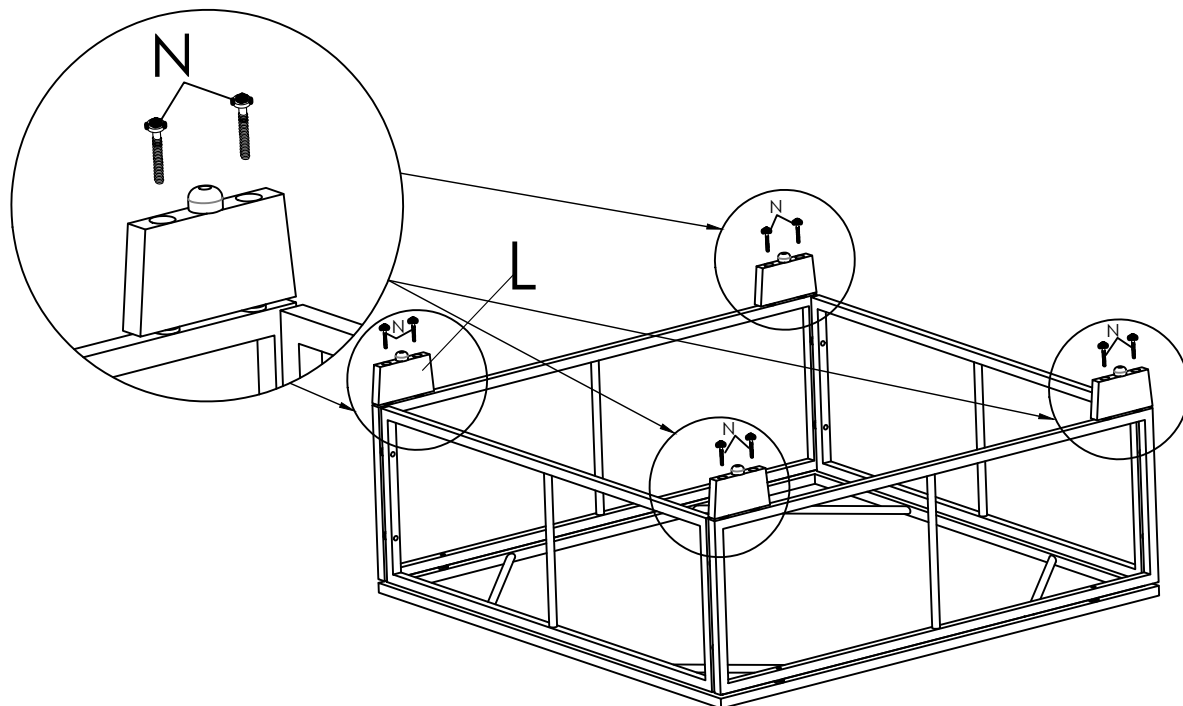
Attach surface(H) to the framt using washers(O),bolts(M)and Allen wrench(P).  
Hand-tighten all screws to about 80% first. After all screws are in place,  
tighten them fully in sequence



# Assembly Instruction

## STEP 7

Attach plastic foot(L) to the seat using bolts(N) and Allen wrench(P).



## STEP 8

Flip the tea table over and put tempered glass(K) on the table. The assembly is done.

