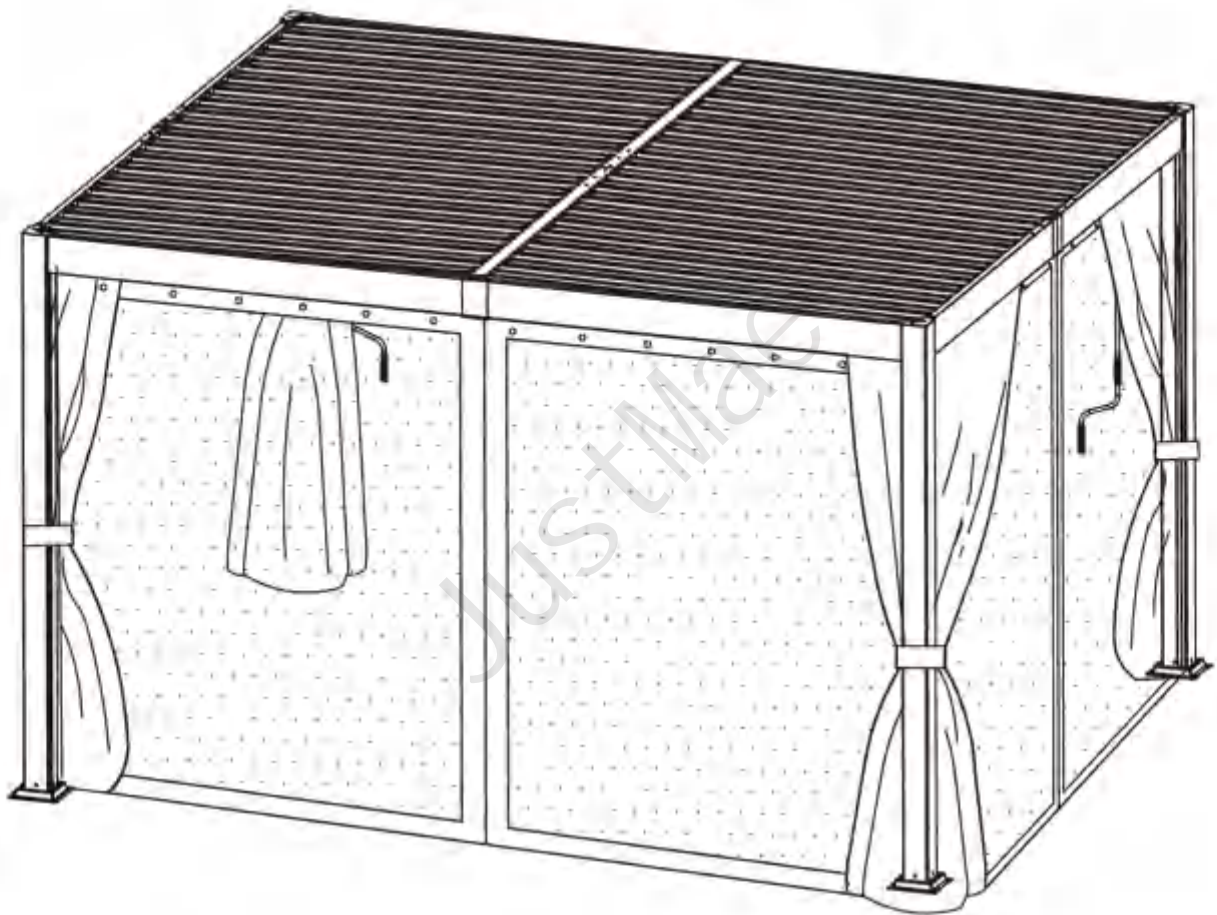


E Serene Elegance in Every Thread

10X12 Ft Pergolas

INSTRUCTION MANUAL

Deliver in Multi-Boxes, Arrive Separately




SKU : AGGAZ011WH

We stand behind our brand. If you're not satisfied with your purchase, reach out to get a replacement or refund

 : ea-aftersale@outlook.com

REQUIRED TOOLS

| | | | |
|--------------|---|--|---|
| Tools |  |  |  |
| | Gloves | Table | Ladder |
| |  |  |  |
| | Power drill | Screw driver | Tape Measure |

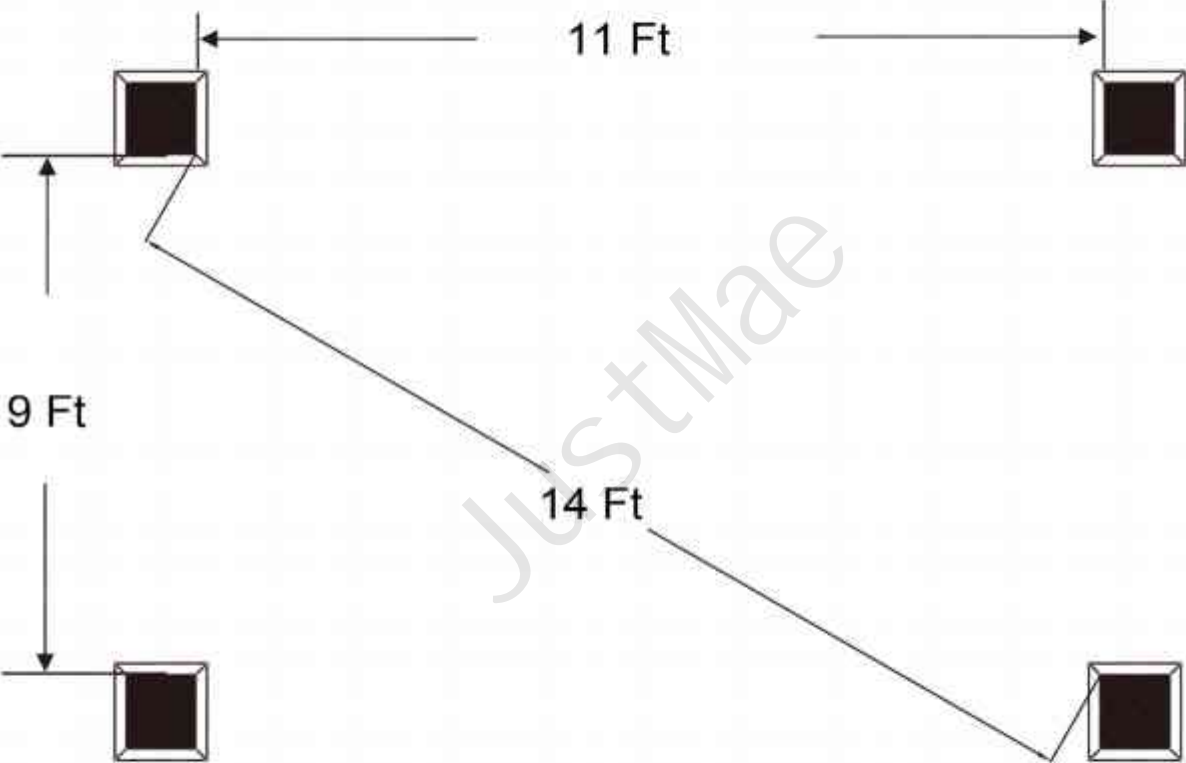
ASSEMBLY TIPS

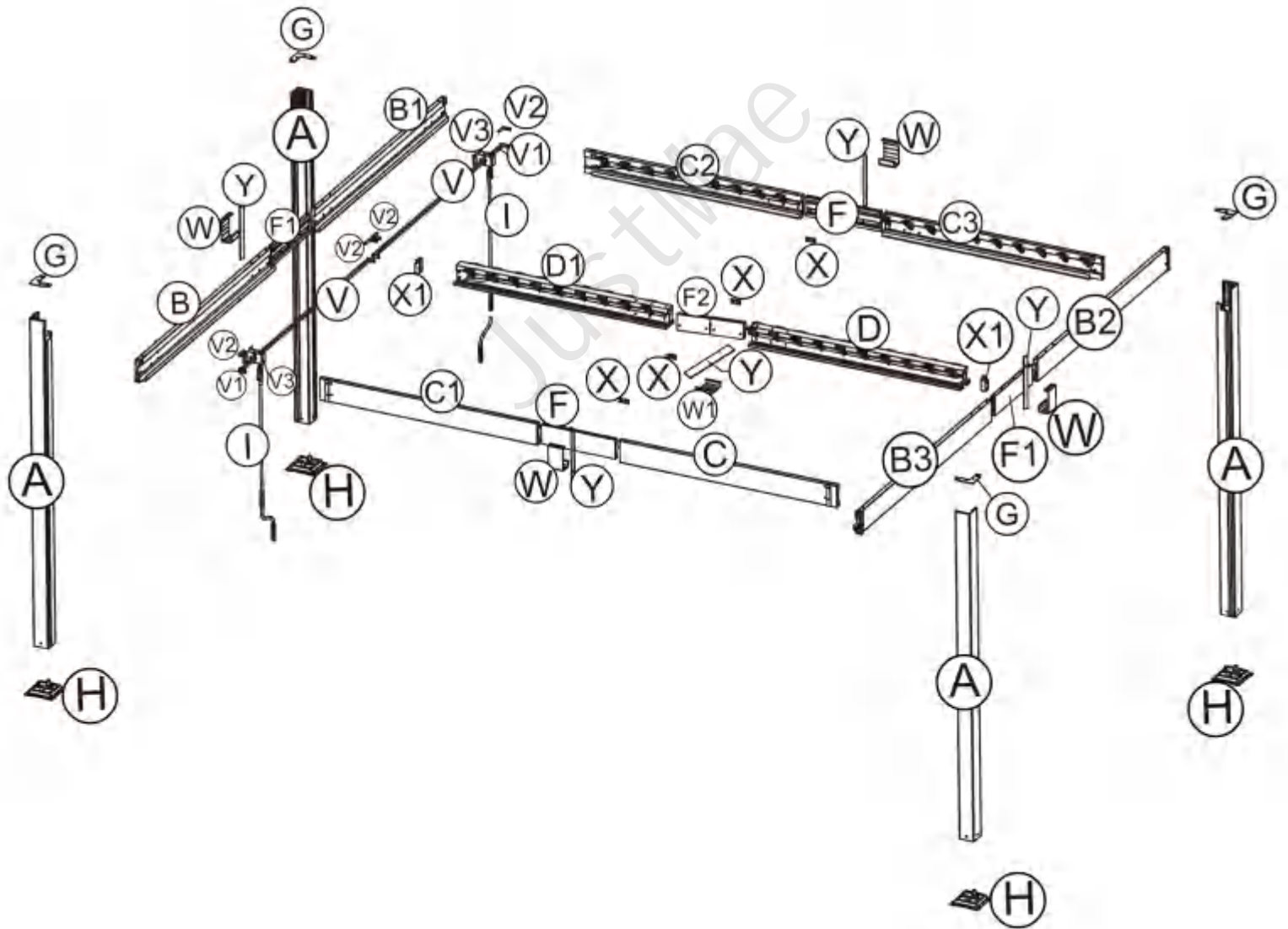
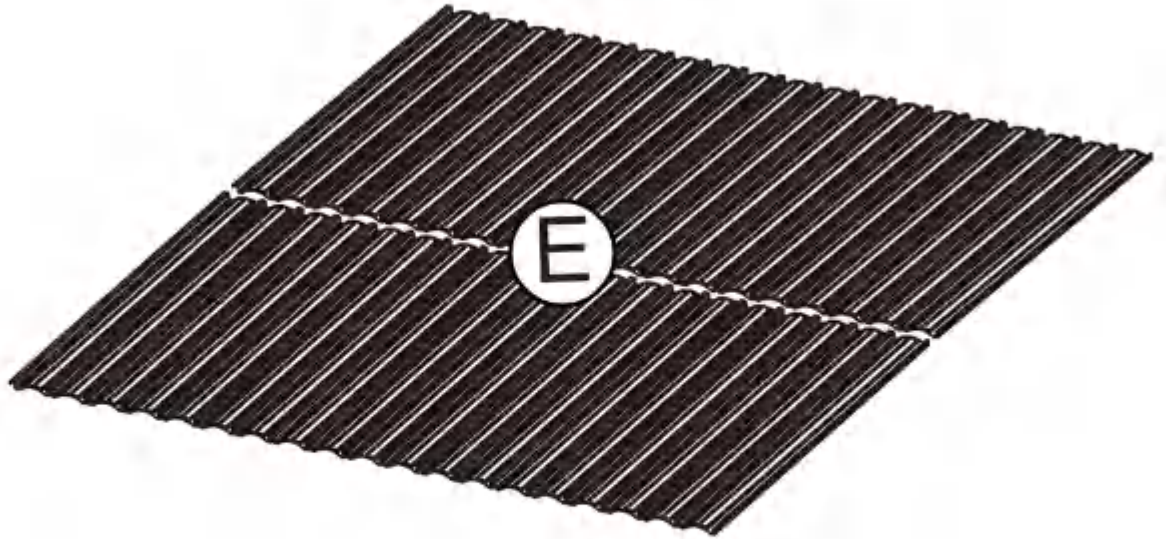
1. Clear a working area to allow access on all four sides. A raised work surface will make assembly easier. It is easier to install the wall panel on the table.
2. All parts are identified, so when working through the instructions page by page, the diagrams show where each part is positioned.
3. Before starting, to avoid any accidental injury, we recommend the use of gloves to protect your hands.
4. Please keep children away from your construction site.
5. Two or more people are required for assembly.
6. Please note: Some local government authorities have rules & regulations on shed installation, and you may need approval to erect this shed.
7. To better align the screws for practical situations, do not fully tighten screws initially.

ASSEMBLY STEPS

1. Unpack all components from the carton and lay them out beside your work area. Check parts against the parts list.
2. Work through the assembly instructions page by page.
3. Once assembly is completed, place the shed in position and fix the anchor to the ground.
4. Clean up all metal pieces and screws.
















RECOMMENDED INSTALLATION DIMENSIONS






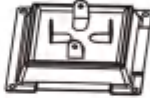






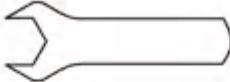


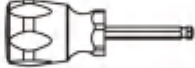




PARTS LIST

| Parts | pcs | Accessories |
|-------|-----|--|
| A | 4 |  |
| B | 1 |  |
| B1 | 1 |  |
| B2 | 1 |  |
| B3 | 1 |  |
| C | 1 |  |
| C1 | 1 |  |
| C2 | 1 |  |
| C3 | 1 |  |
| D | 1 |  |
| D1 | 1 |  |
| E | 38 |  |
| F | 2 |  |
| F1 | 2 |  |
| F2 | 1 |  |
















PARTS LIST

| Parts | pcs | Accessories |
|-------|-------|---|
| G | 4 |  |
| H | 4 |  |
| I | 2 |  |
| J | 12+2 |  M4.2x25 |
| K | 198+5 |  M6*16 |
| L | 16 |  M6x62 |
| M | 8 |  M6x8 |
| N | 16 |  M6x35 |
| O | 1 |  |
| P2 | 2 |  M6 |
| Q | 1 |  M8 |
| Q1 | 1 |  M8 |
| R1 | 1 |  |
| S | 76 |  |



PARTS LIST

| Parts | pcs | Accessories |
|-------|------|--|
| T1 | 16+2 |  |
| U | 88 |  |
| U1 | 4 |  |
| U2 | 4 |  |
| V | 2 |  |
| V1 | 2 |  |
| V2 | 4 |  |
| V3 | 2 |  |
| W | 4 |  |
| W1 | 1 |  |
| X | 4 |  |
| X1 | 2 |  |
| Y | 5+1 |  |

01

STEP

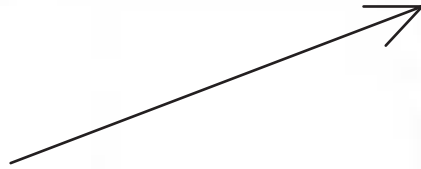
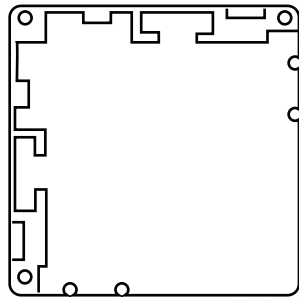
A
4PCS

K
16PCS

H
4PCS

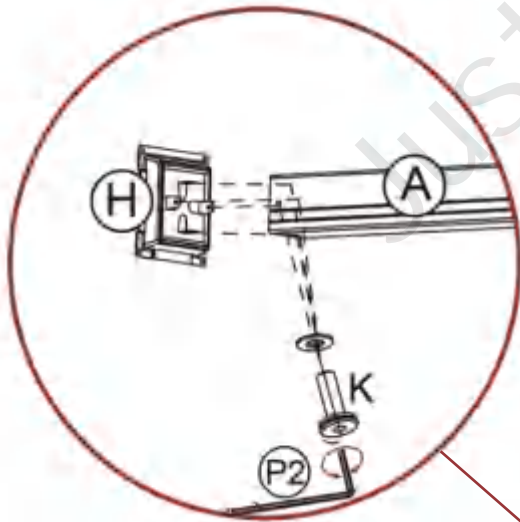
P2
1PC

1. Mount bracket H under column A and secure with screw K.

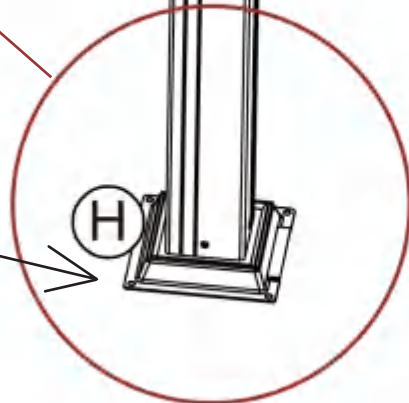
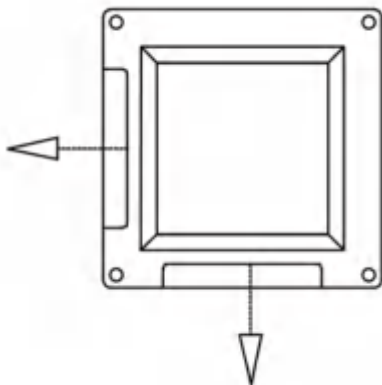


x4

⚠ THE GROOVE ON PART A FACES INWARDS



A



H

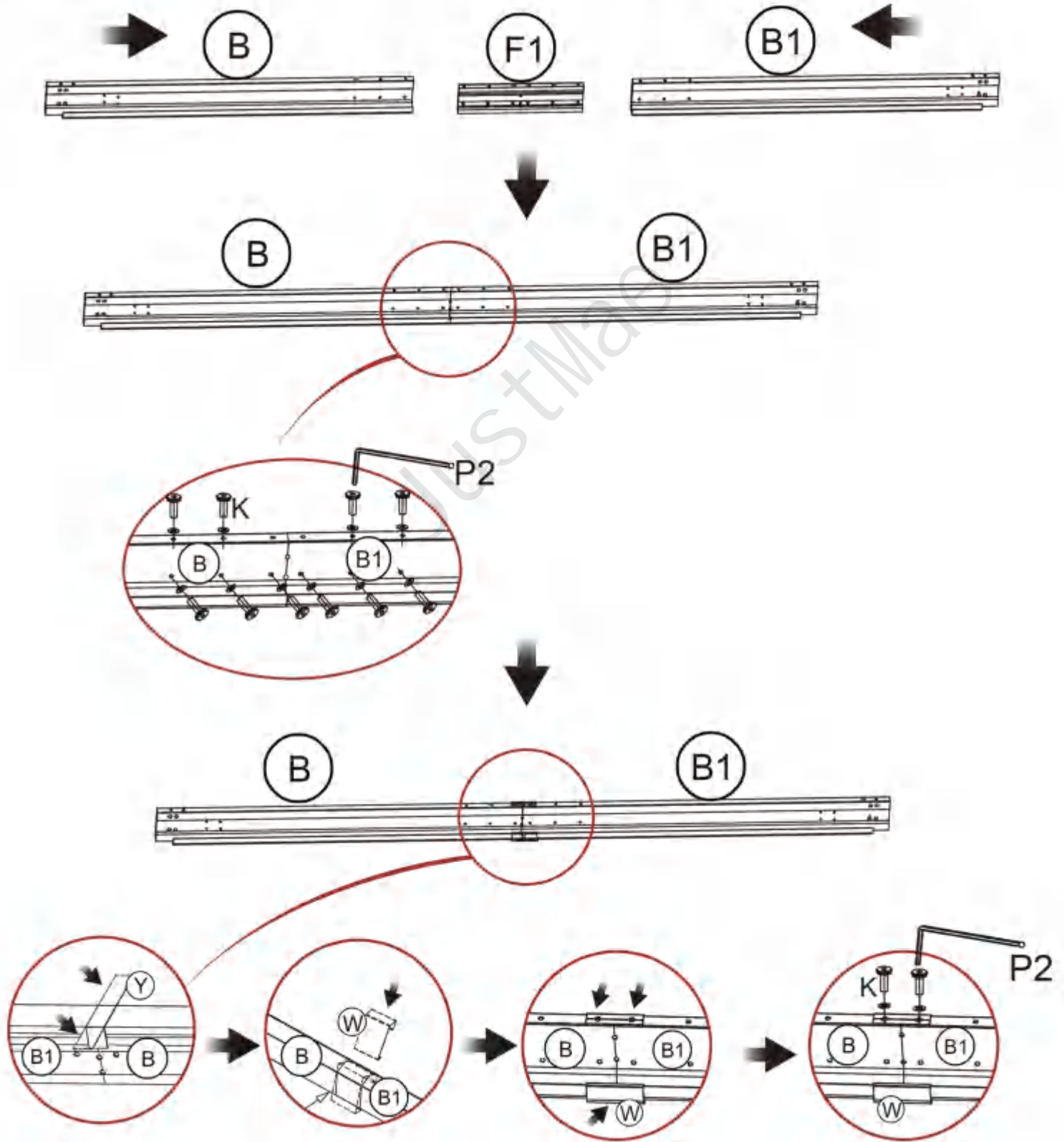
⚠ THE DRAINAGE OUTLET ON PART H FACES OUTWARDS

02

STEP

| | | | | | | | |
|------------------|--|-------------------|--|-----------------|--|------------------|--|
| B 1PC | | K 12PCS | | W 1PC | | B1 1PC | |
| P2 1PC | | F1 1PC | | Y x1 | | | |

1. Insert F1 into B and B1, then secure with K.
2. Stick Y on the seam, then secure W with screw K.




03

STEP


B2

1PC




K

12PCS




W

1PC




B3

1PC




P2

1PC




F1

1PC



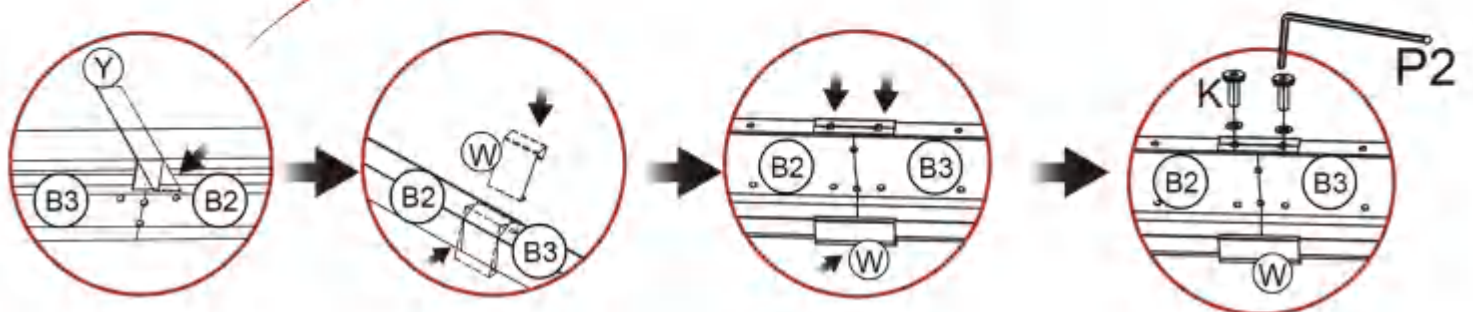
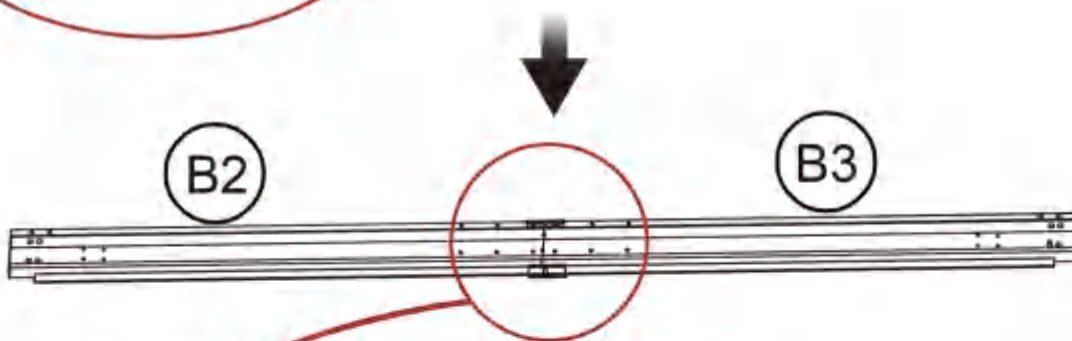
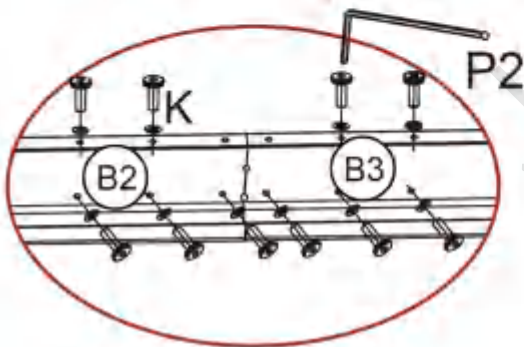
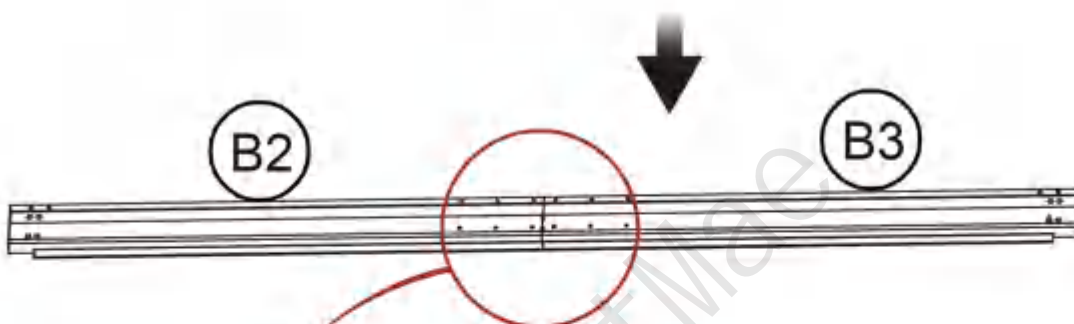
Y

x1

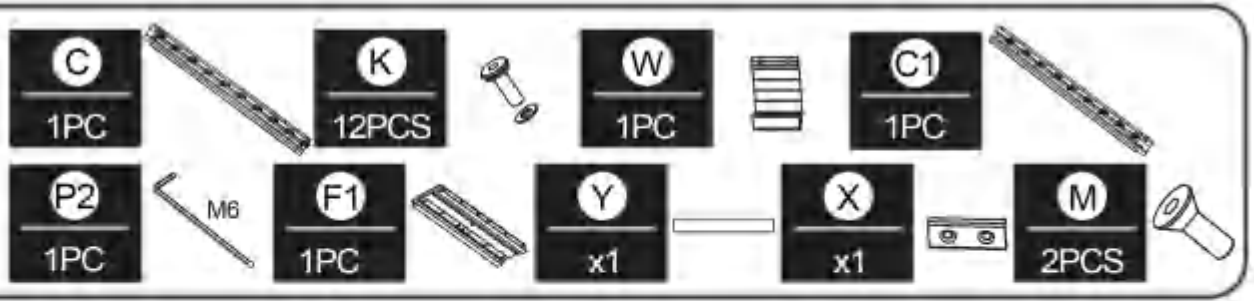


1. Insert F1 into B2 and B3, then secure with K.

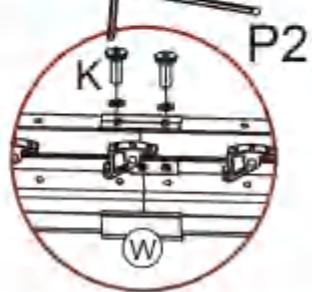
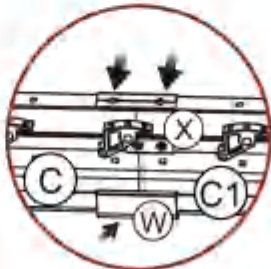
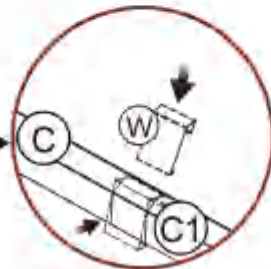
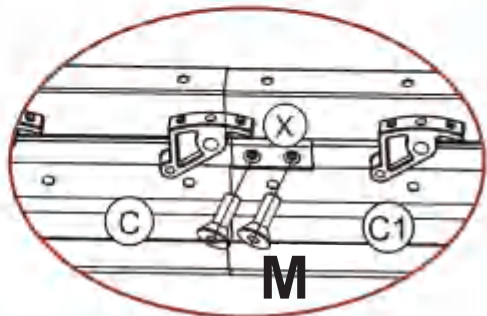
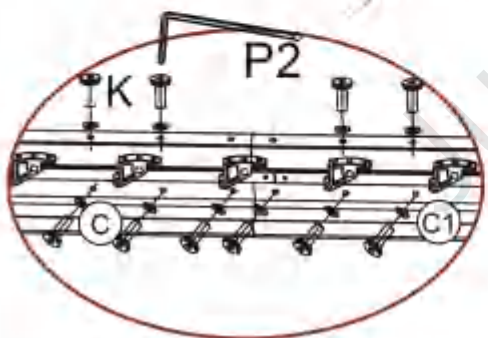
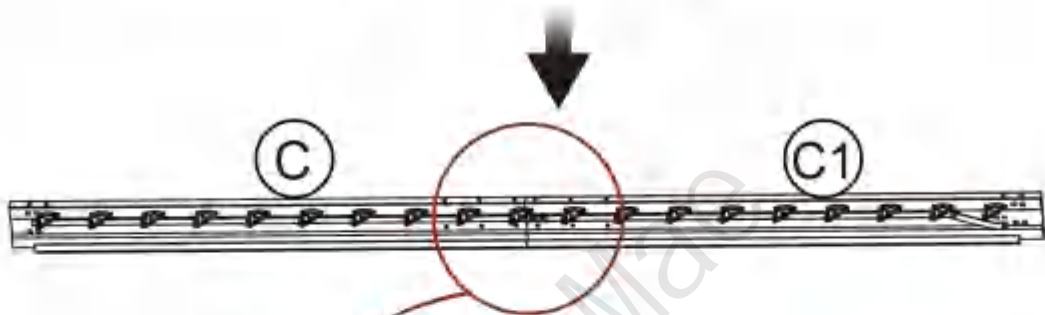
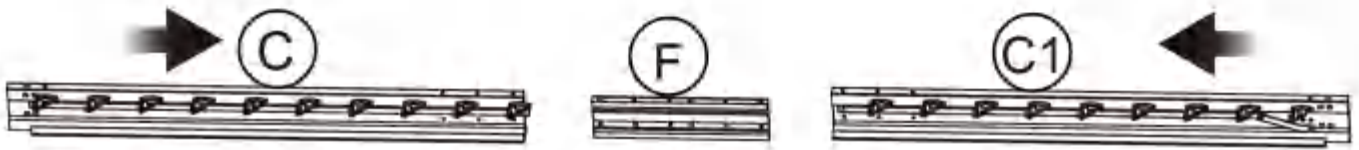
2. Stick Y on the seam, then secure W with screw K.



04
STEP

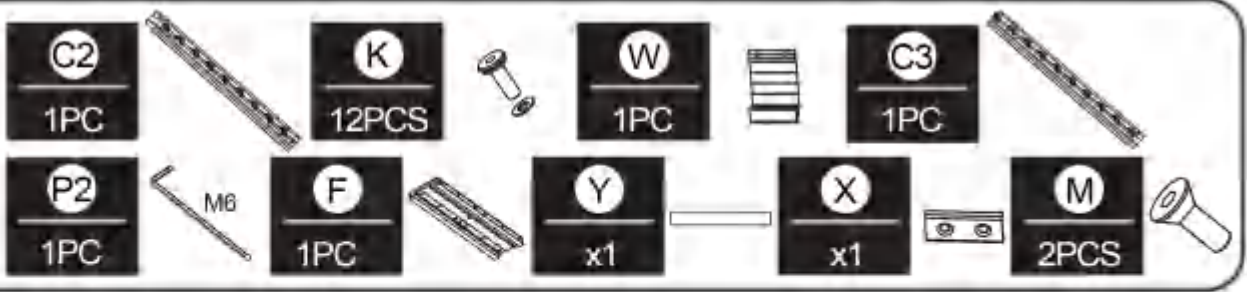


1. Insert F into C and C1, then secure with K.
2. Stick Y on the seam, then secure W with screw K.

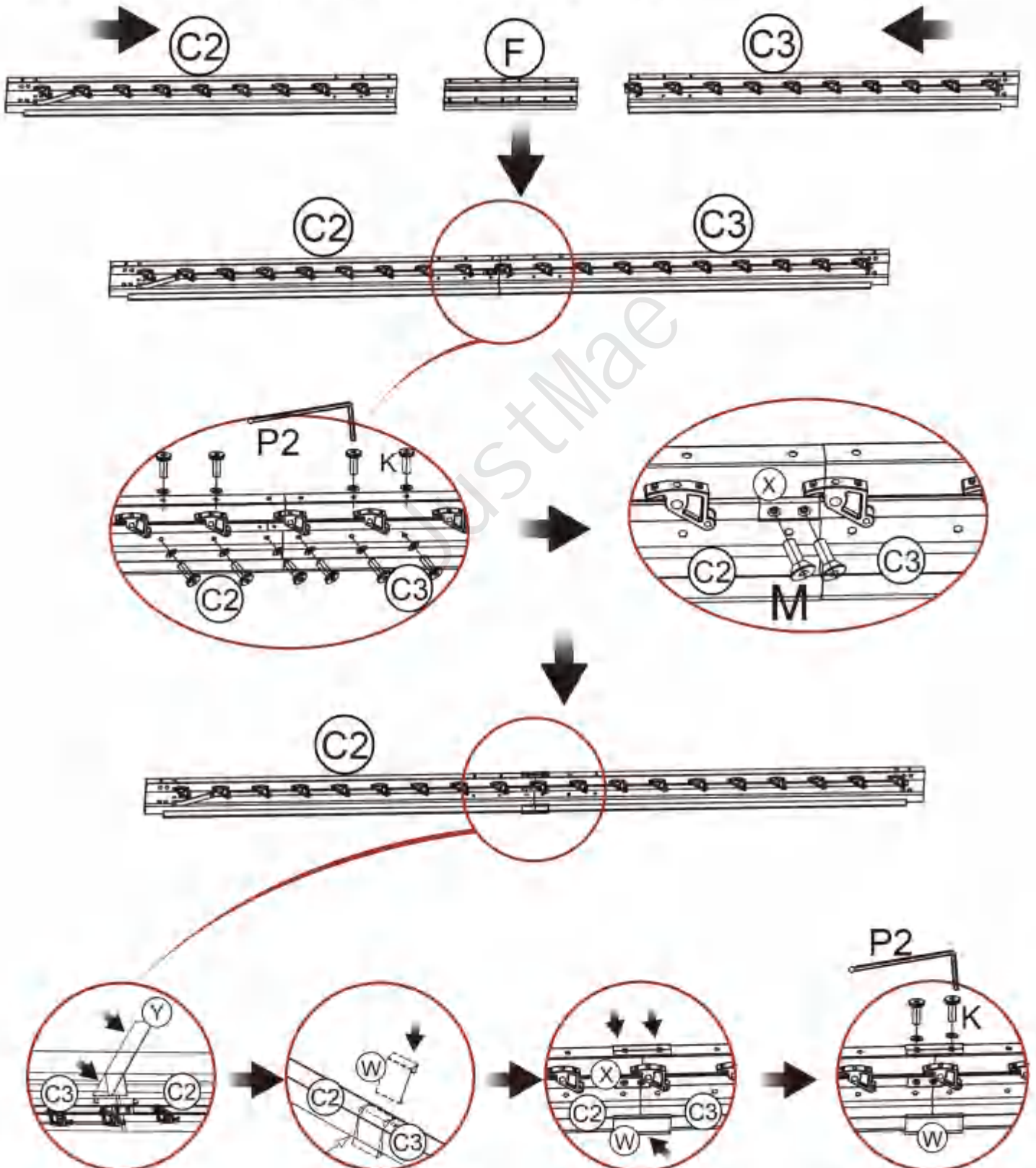


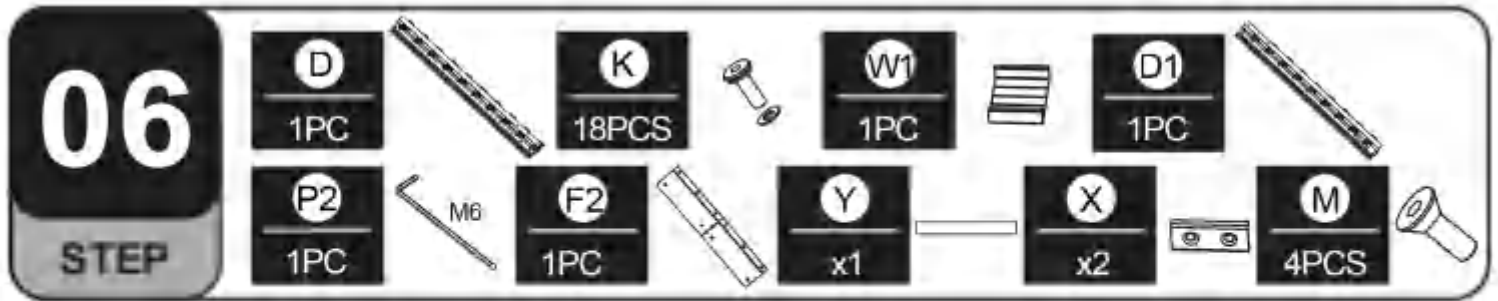
05

STEP



1. Insert F into C2 and C3, then secure with K.
2. Stick Y on the seam, then secure W with screw K.

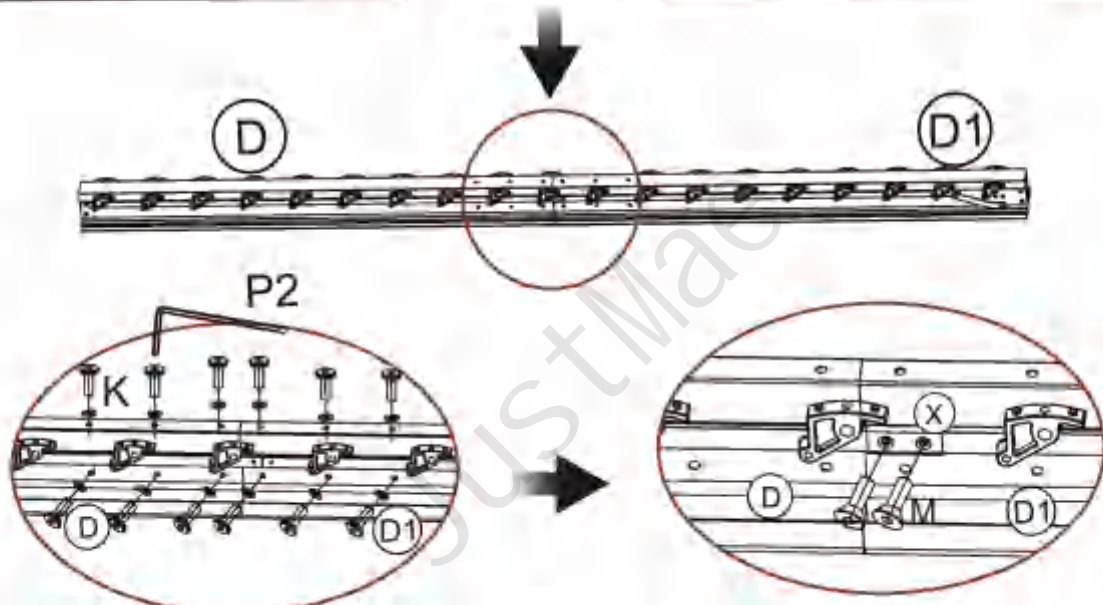




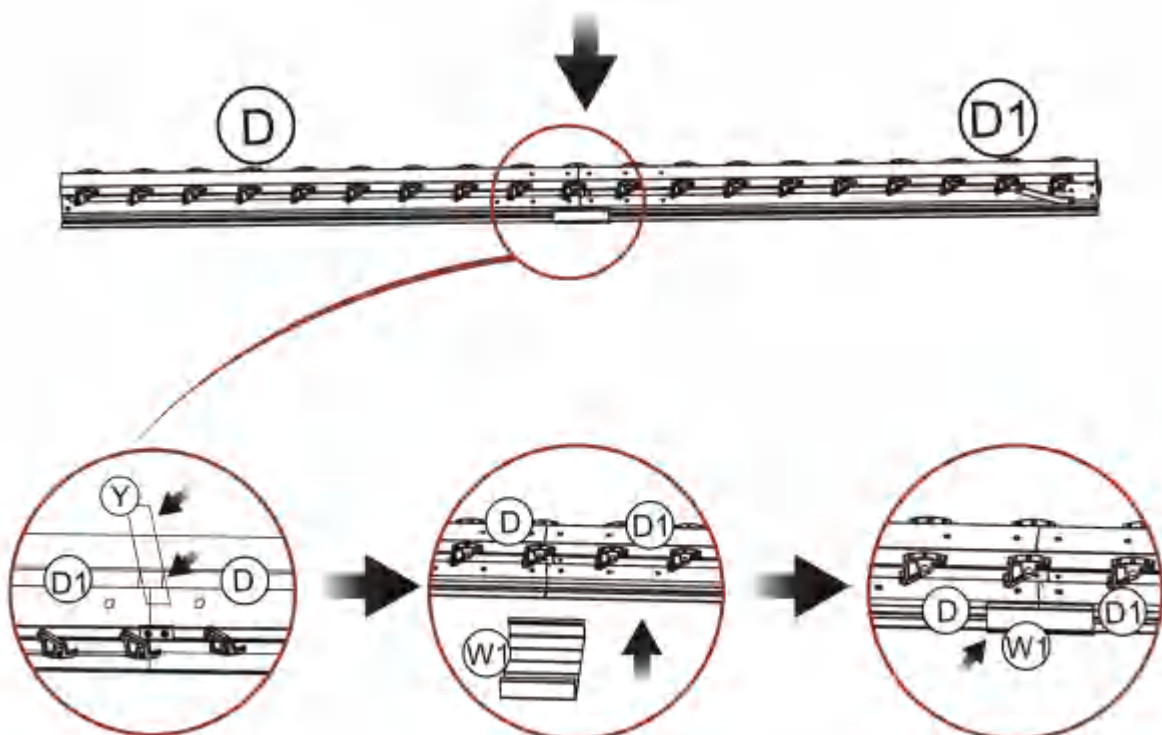
1. Insert F2 into D and D1, then secure with K.

2. Stick Y on the seam, Simply clicks W1 into place.

ATTENTION: For better drainage, part F2 will be slightly higher in the middle and will leave a small gap between D & D1 after installation



ATTENTION: Screws are required on both sides

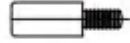


07

STEP

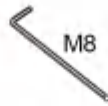
N

1PC



Q

1PC

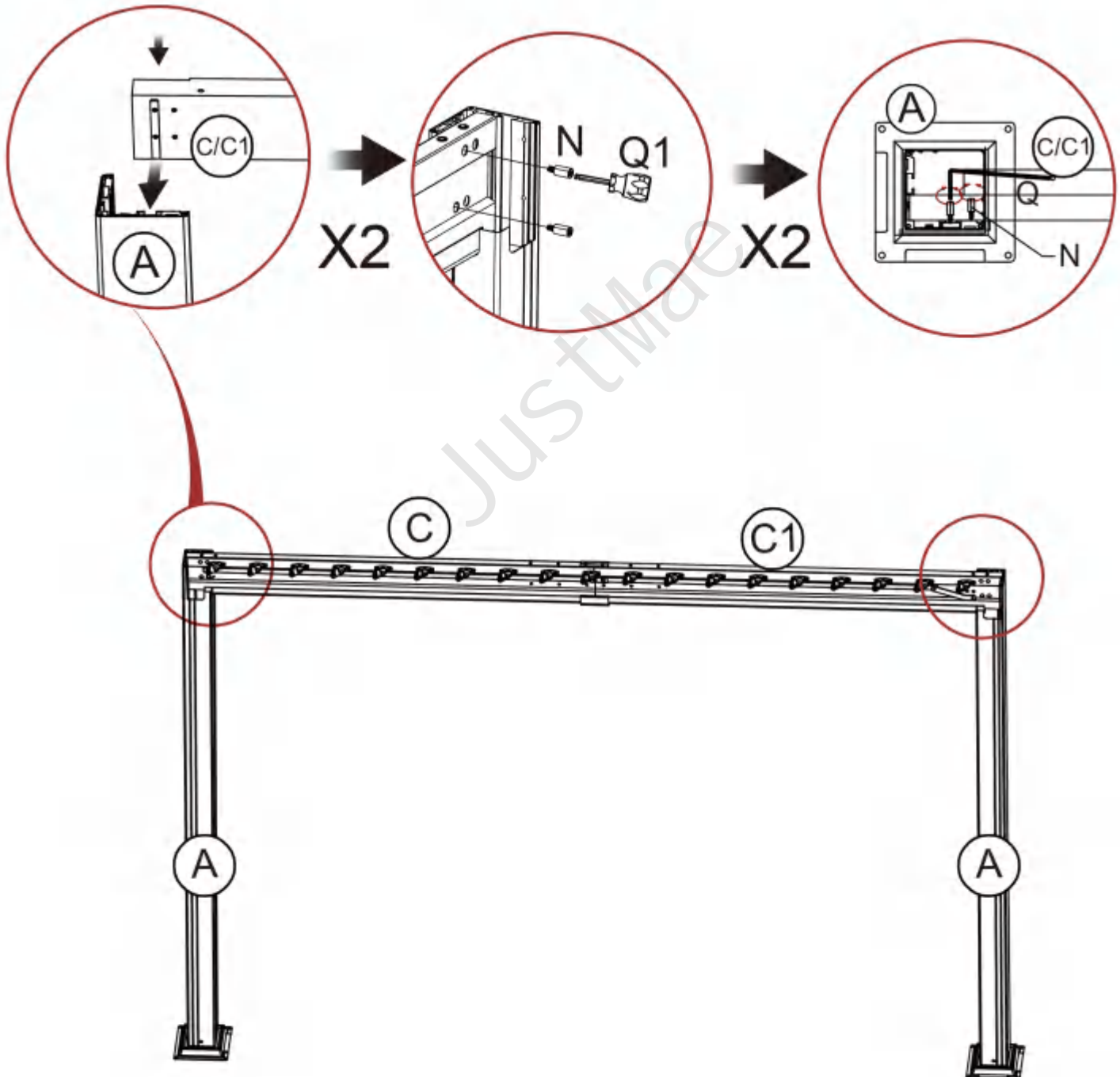


Q1

1PC



1. Insert C and C1 into column A from top, then tighten N with Q1.

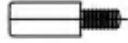


08

STEP

N

4PC



Q

1PC



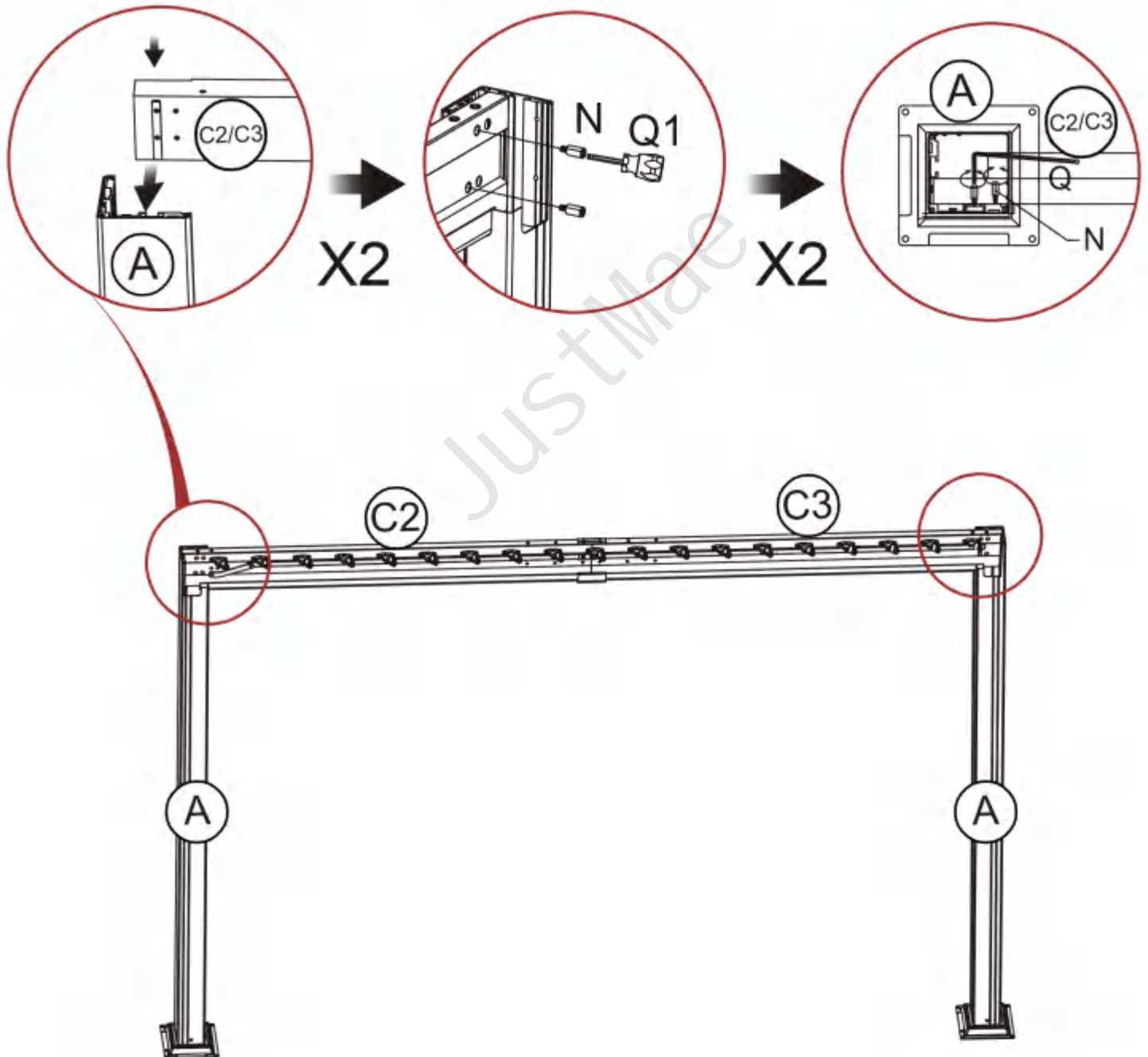
M8

Q1

1PC



1. Insert C2 and C3 into column A from top, then tighten N with Q1.



09

STEP

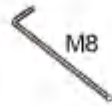
N

8PCS



Q

1PC

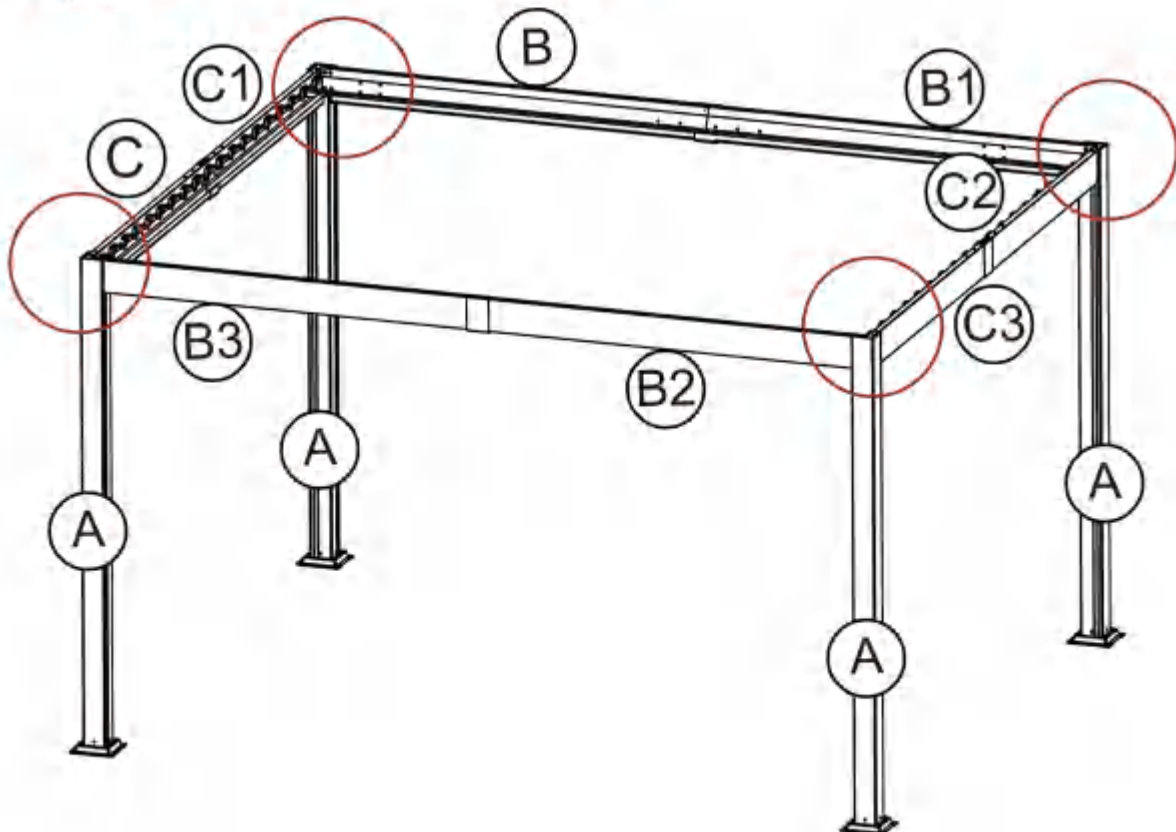
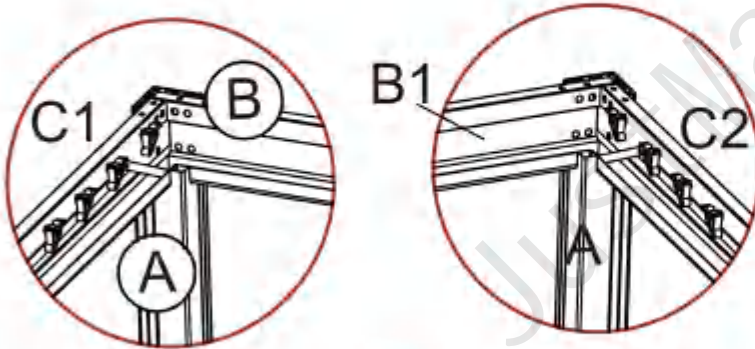
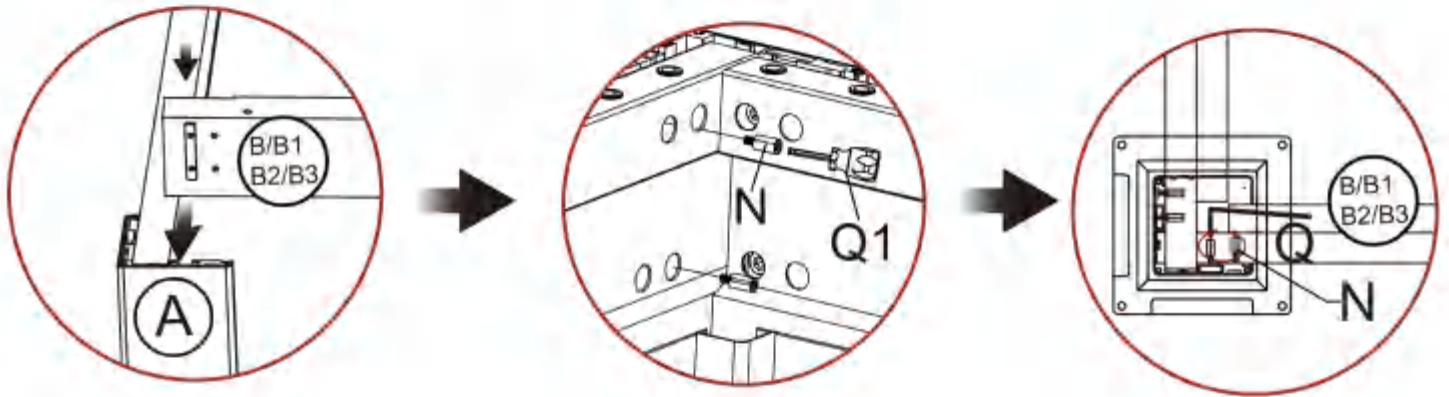


Q1

1PC



1. Insert B/B1 and B2/B3 into column A from top, then tighten N with Q1.

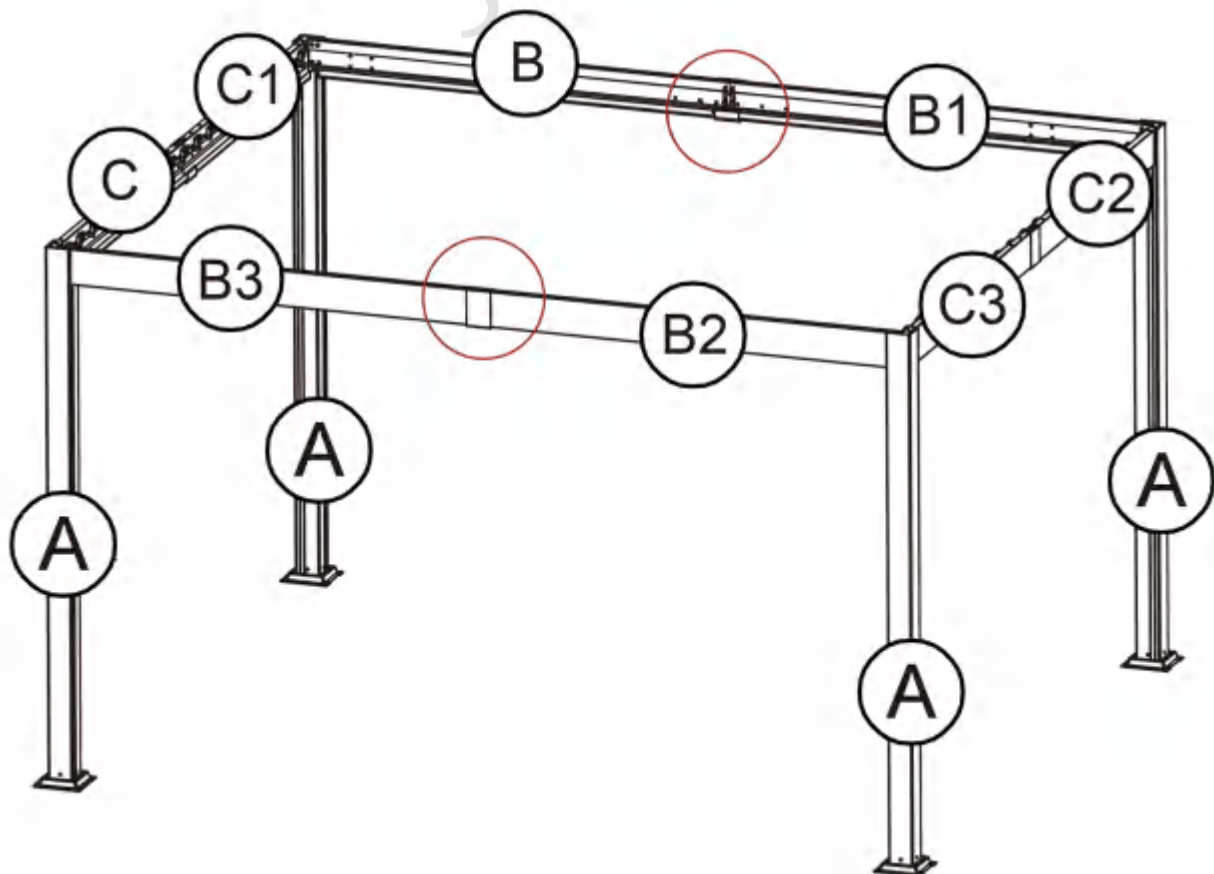
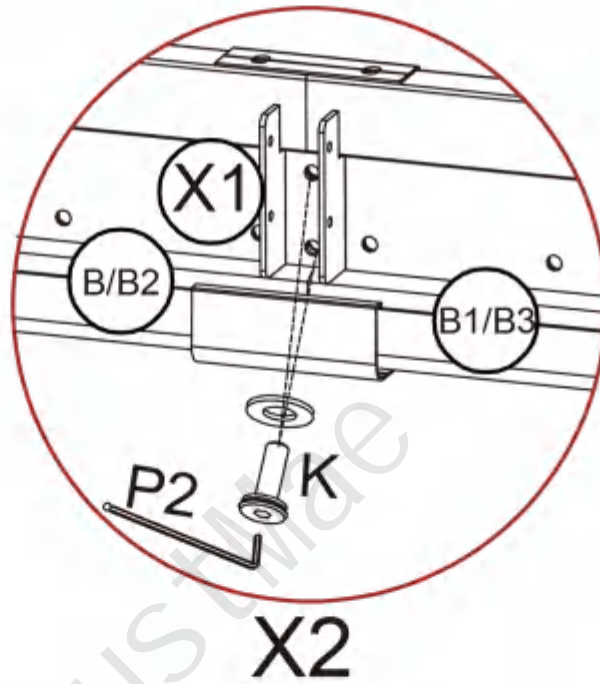


10

STEP

X1
2PCS**P2**
1PC**K**
4PCS

1. Secure X1 to the B/B1 and B2/B3 joint with screw K.



11

STEP

G

4PCS

J






12PCS

K

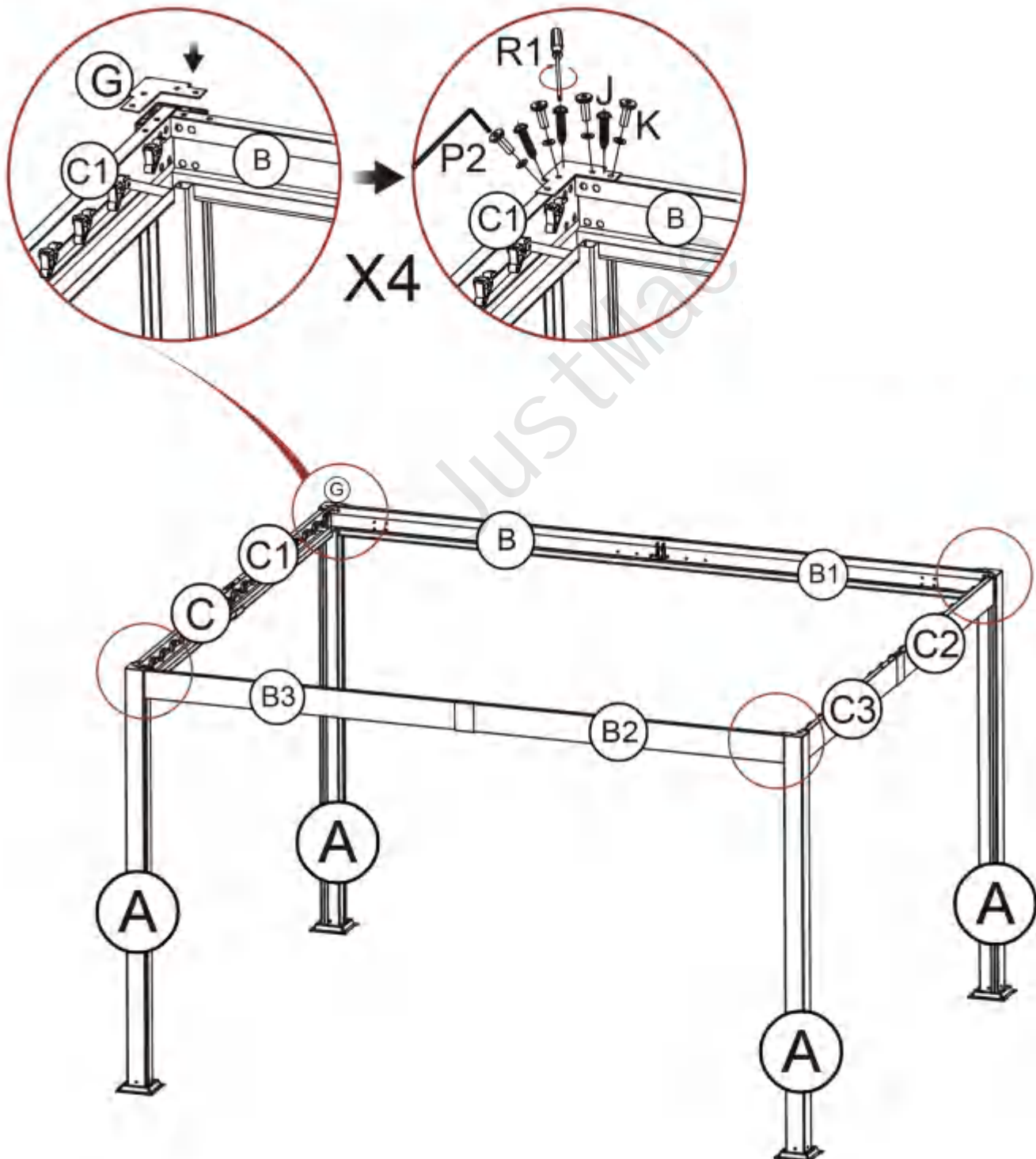
16PCS

P2

1PC

1. Secure G to the top of A using screws K and J.

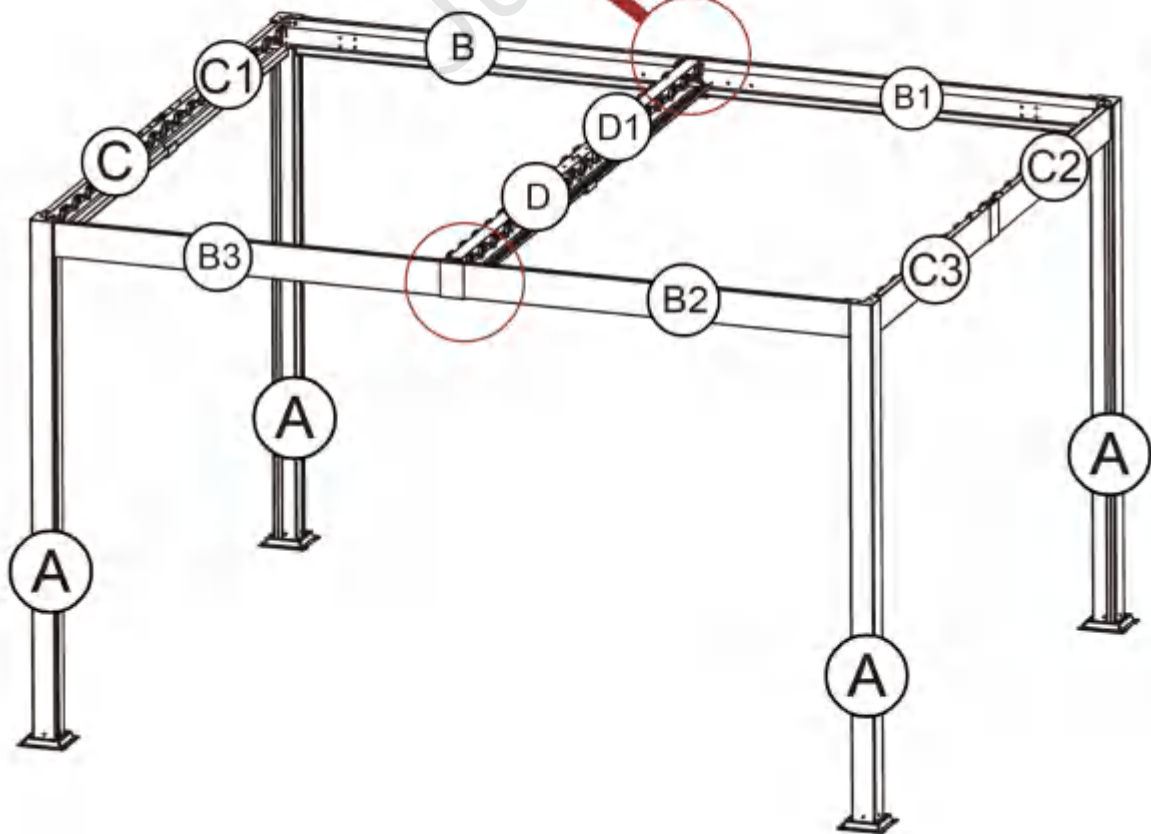
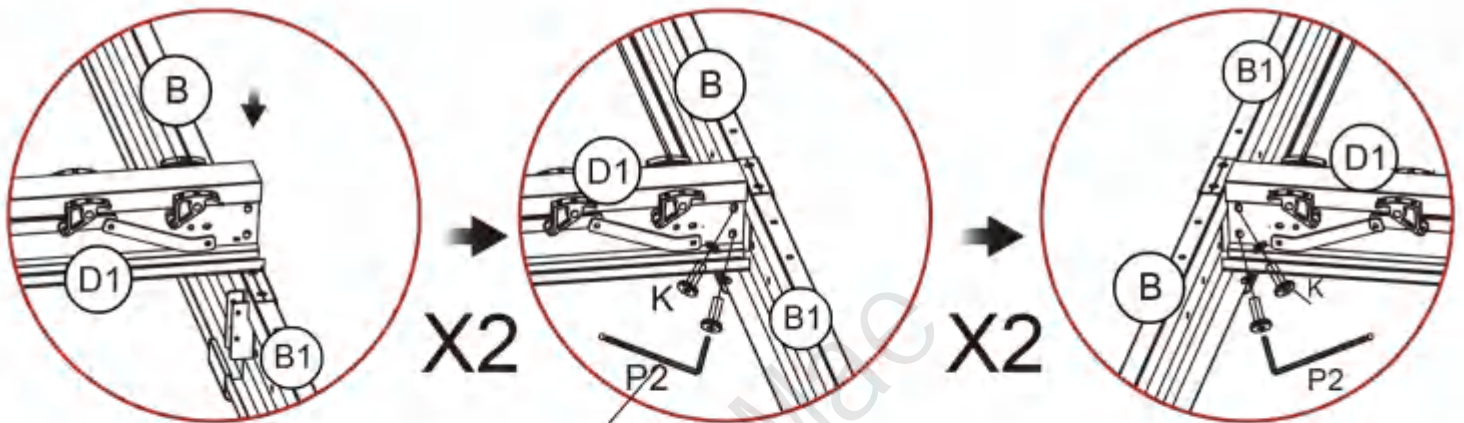


12

STEP

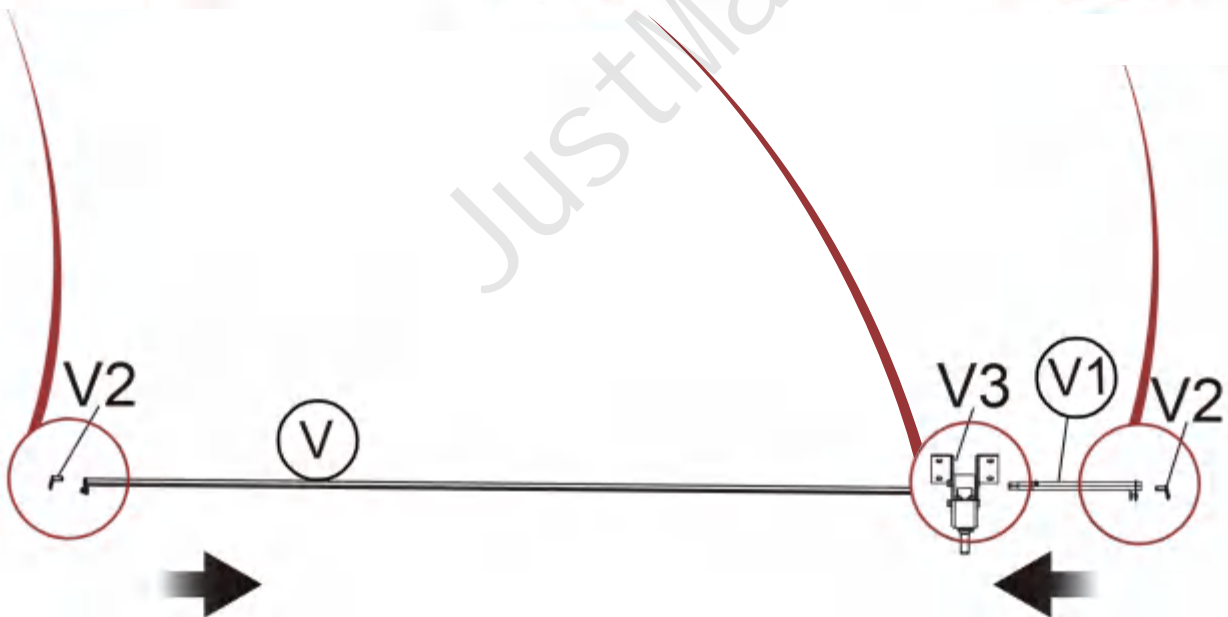
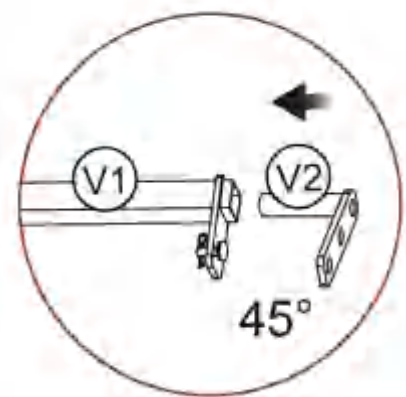
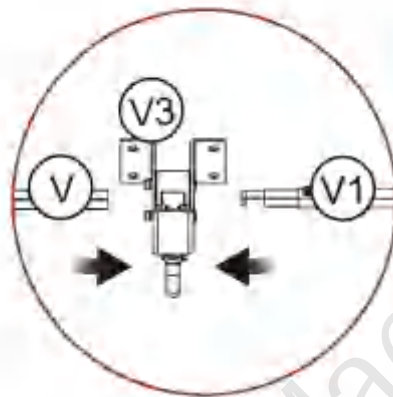
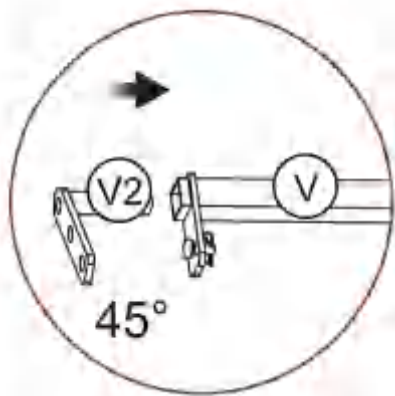
K
x8**P2**
1PC

1. Insert D and D1 into X1 and secure with screw K.



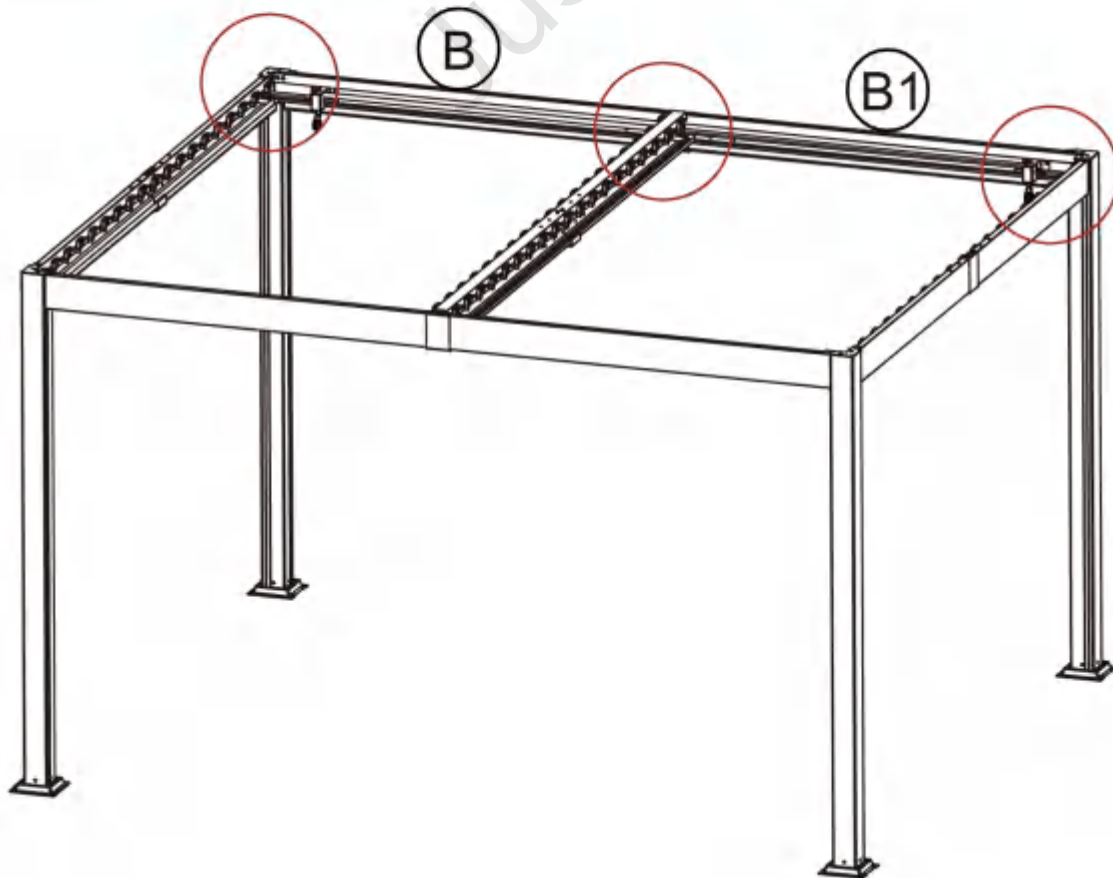
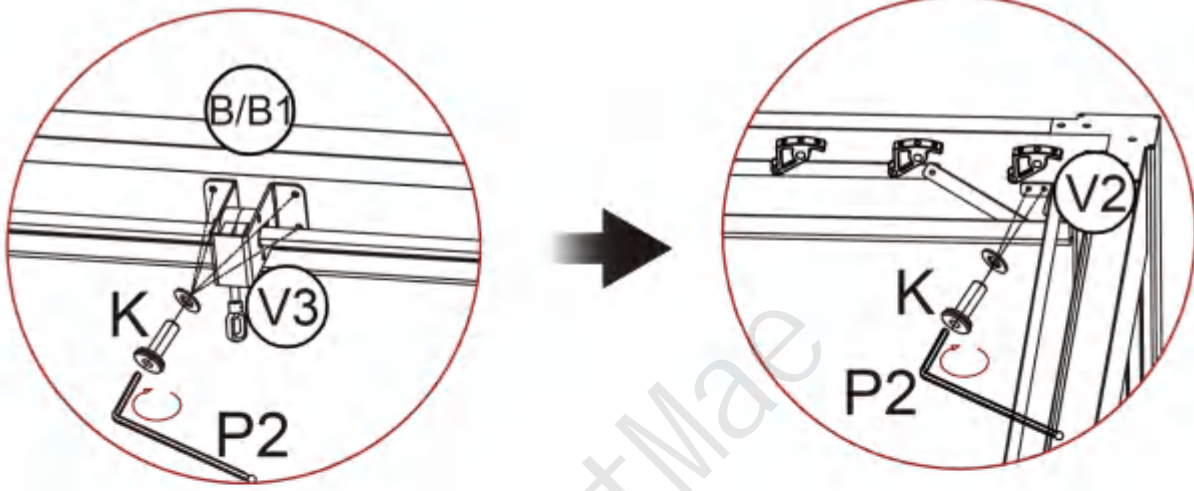
13**STEP**V3
2PCSV2
2PCSV
2PCSV2
4PCS

1. Insert V and V1 into V3, then insert V2 into V and V1.

**X2**

14**STEP****K**
16PCS**P2**
1PC

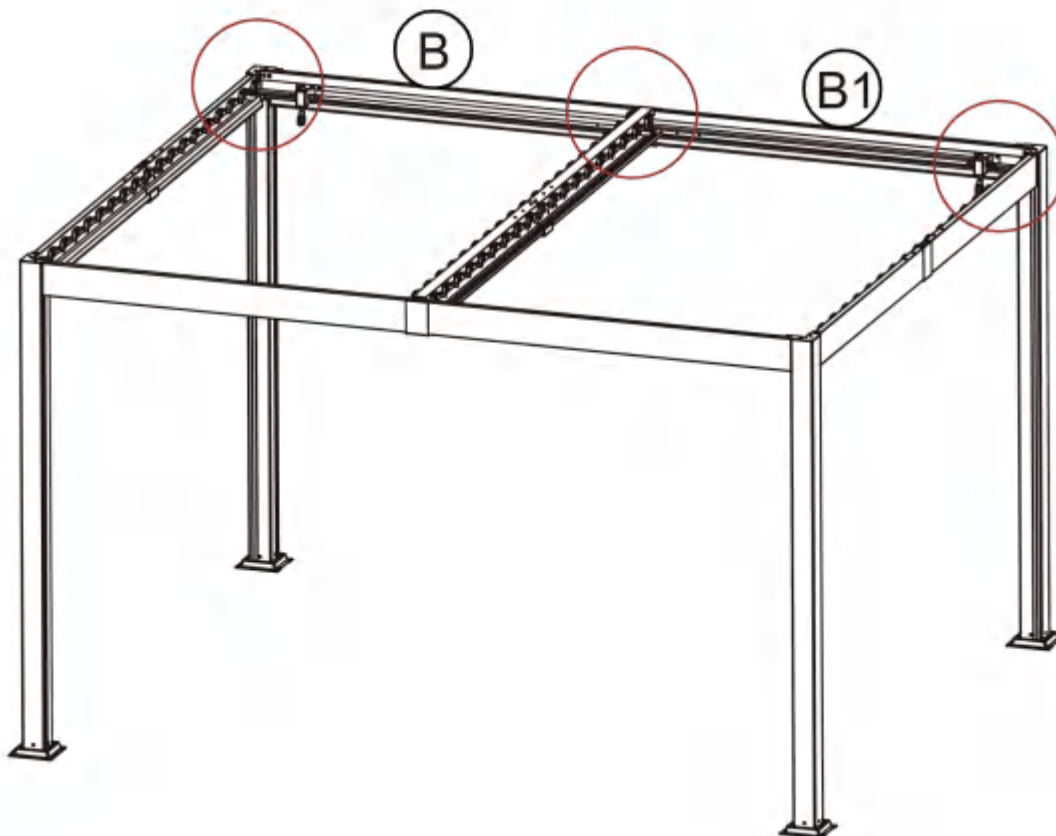
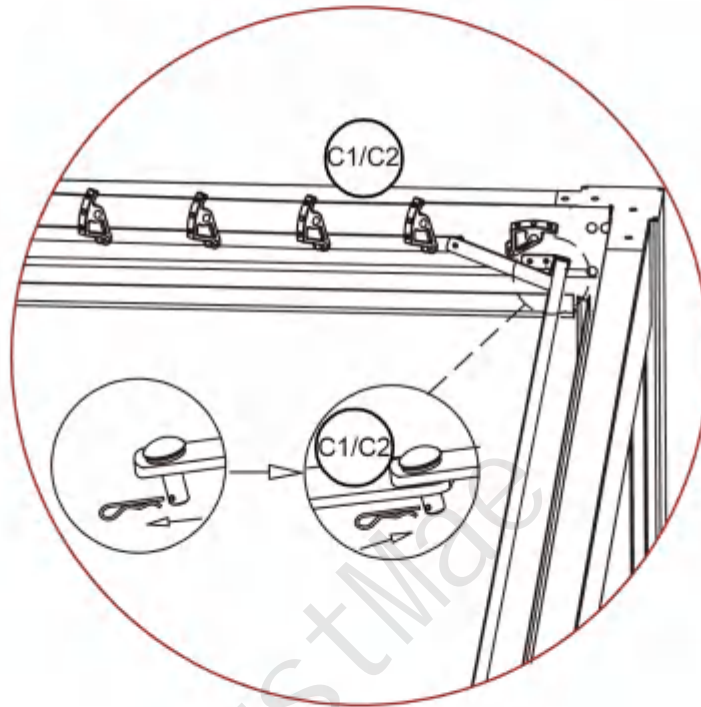
1. Secure the Step 3 assembly to B and B1 with screw K.



15

STEP

1. Remove the pin from V and V1, align with the metal plate holes of C and C1. then reinsert the pin.

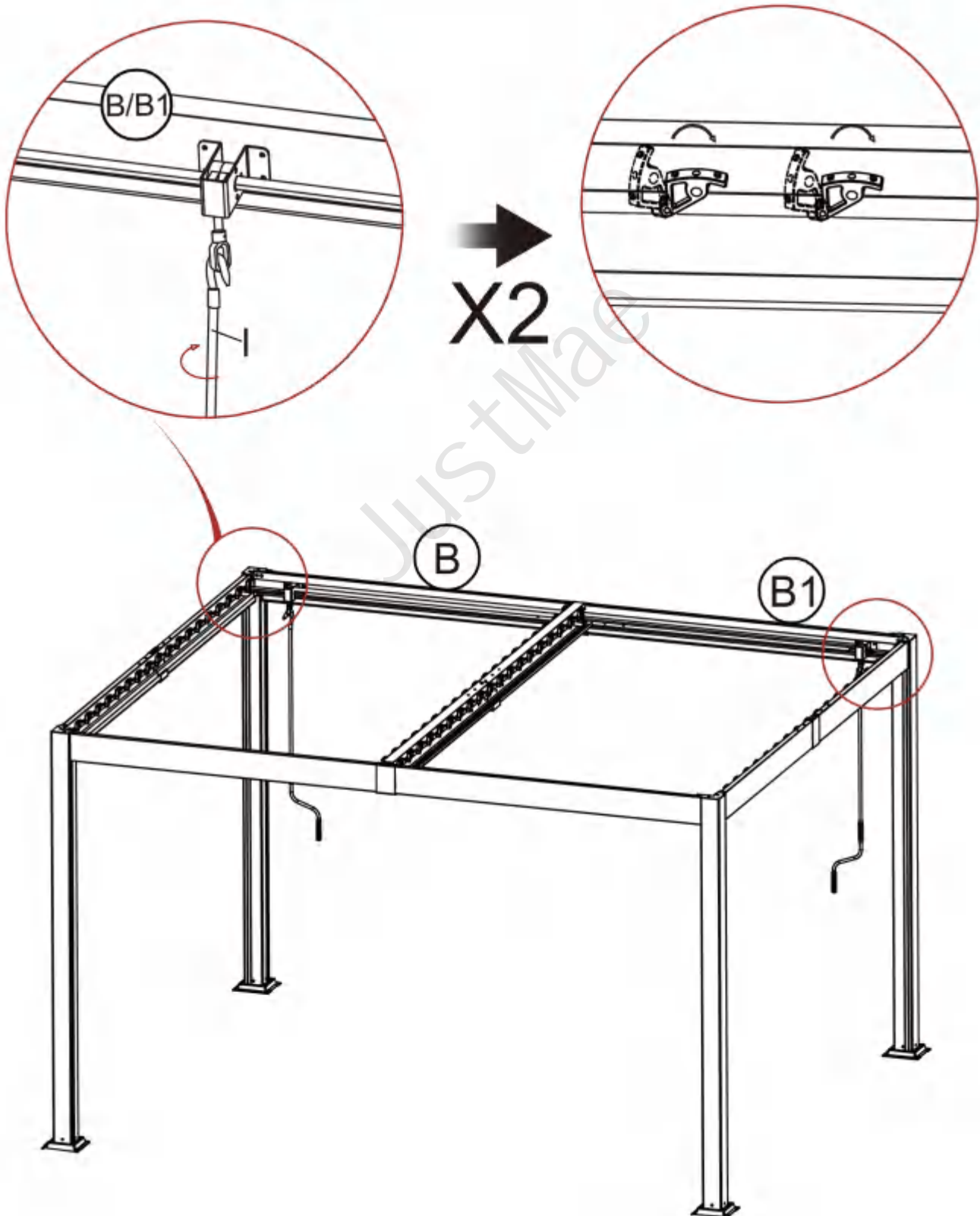


16

STEP

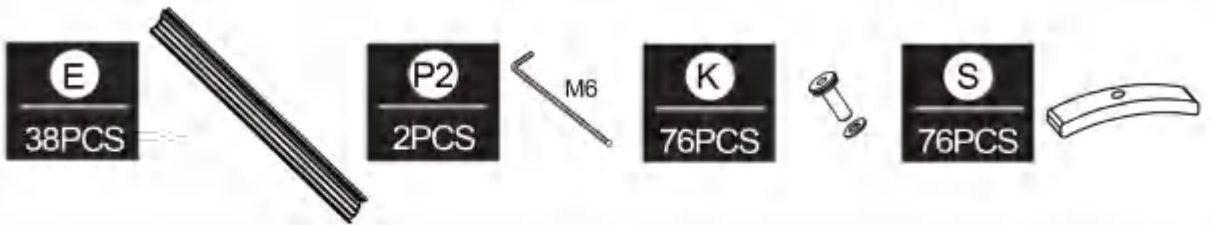
①
2PCS

1. Hang I on the V3 hook and hand-crank until the drive component is parallel.

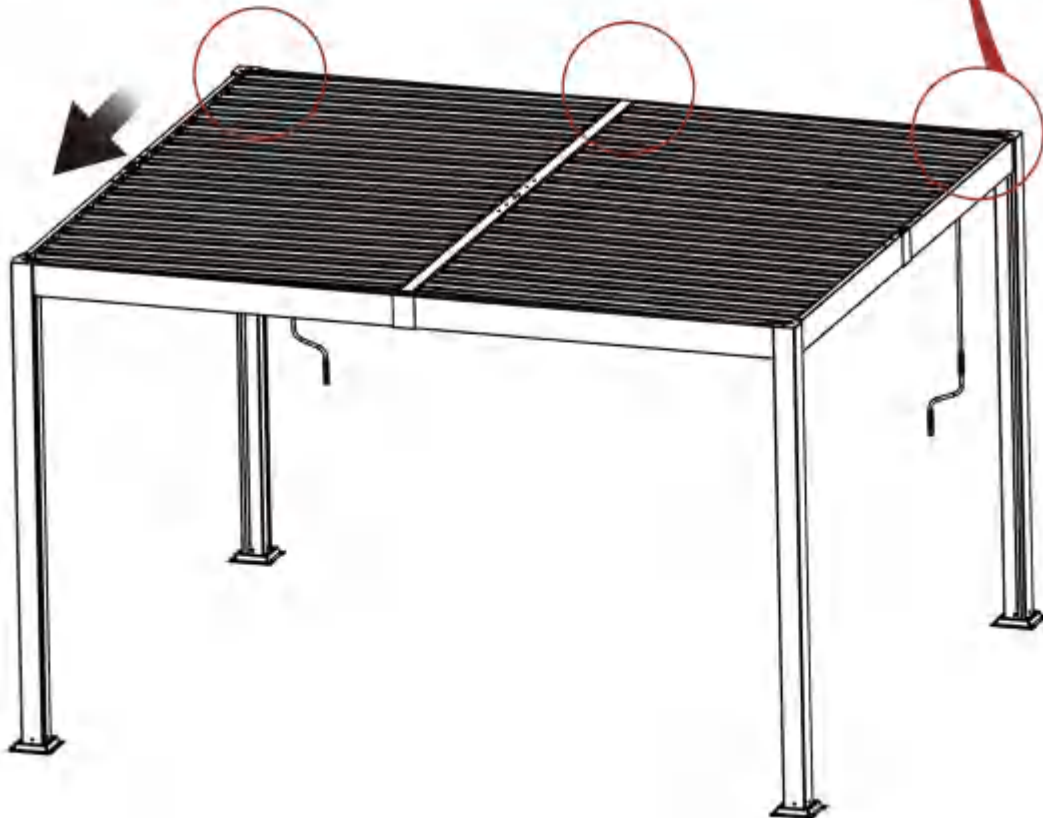
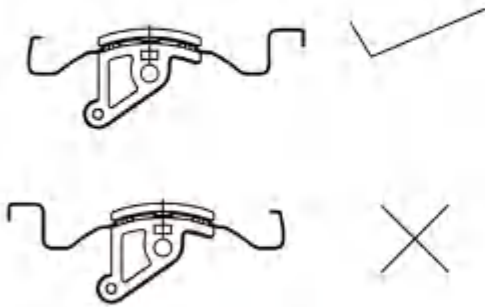
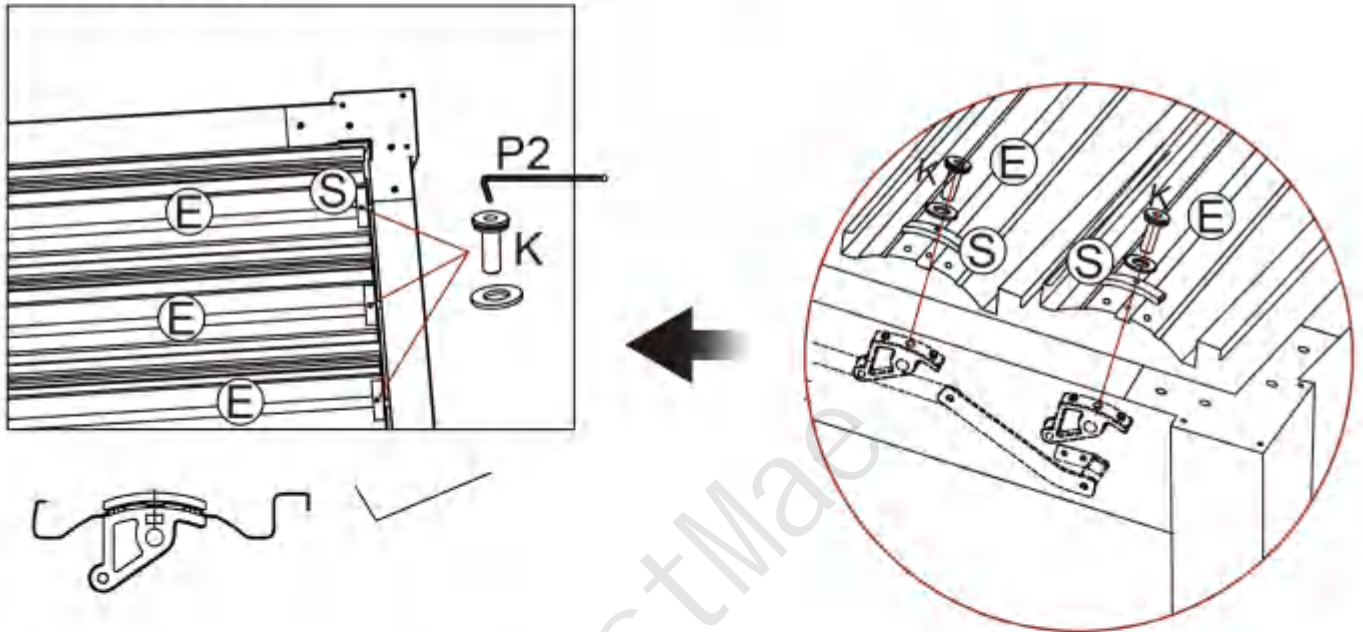


17

STEP



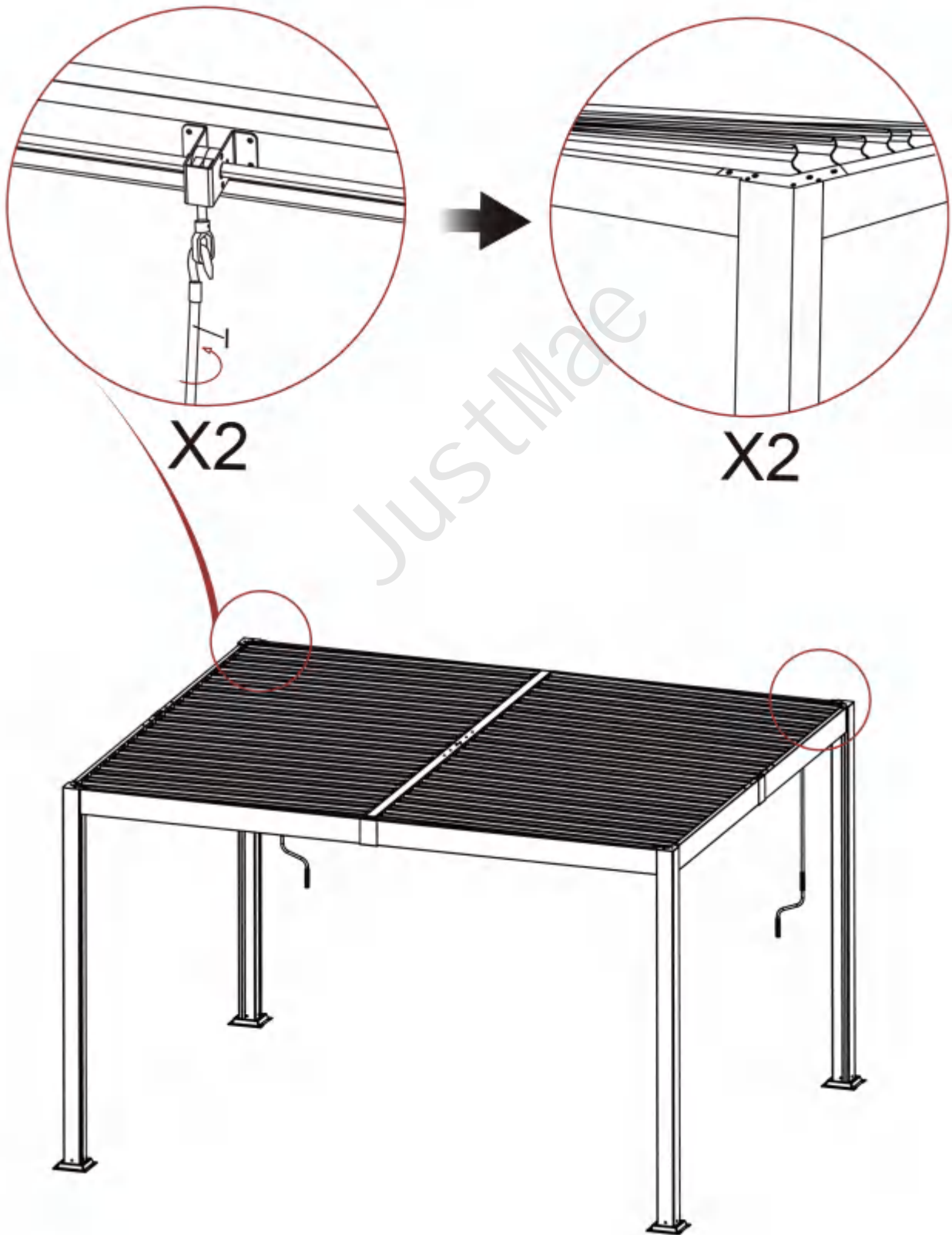
1. Place E on the drive component in the specified order, then secure S and E to it with screw K.



18

STEP

1. Crank I to test if the blinds open and close properly.

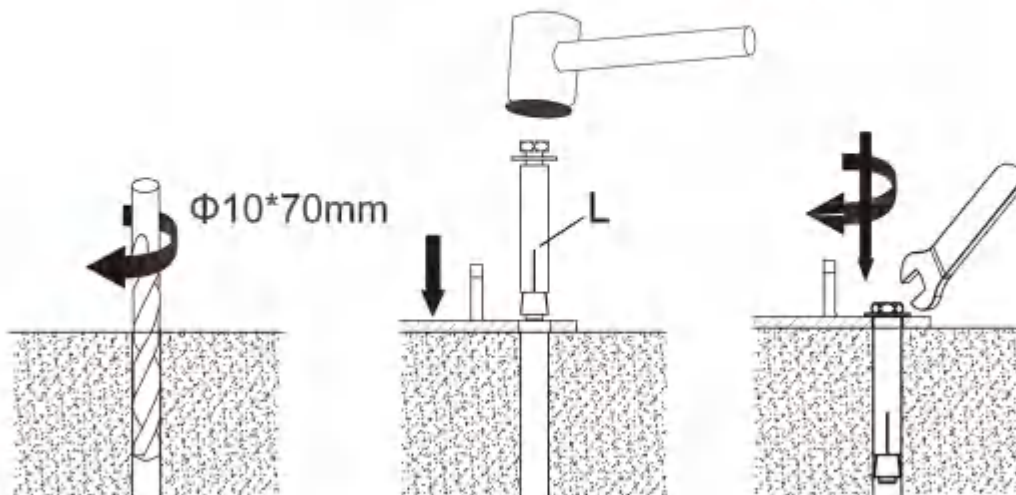
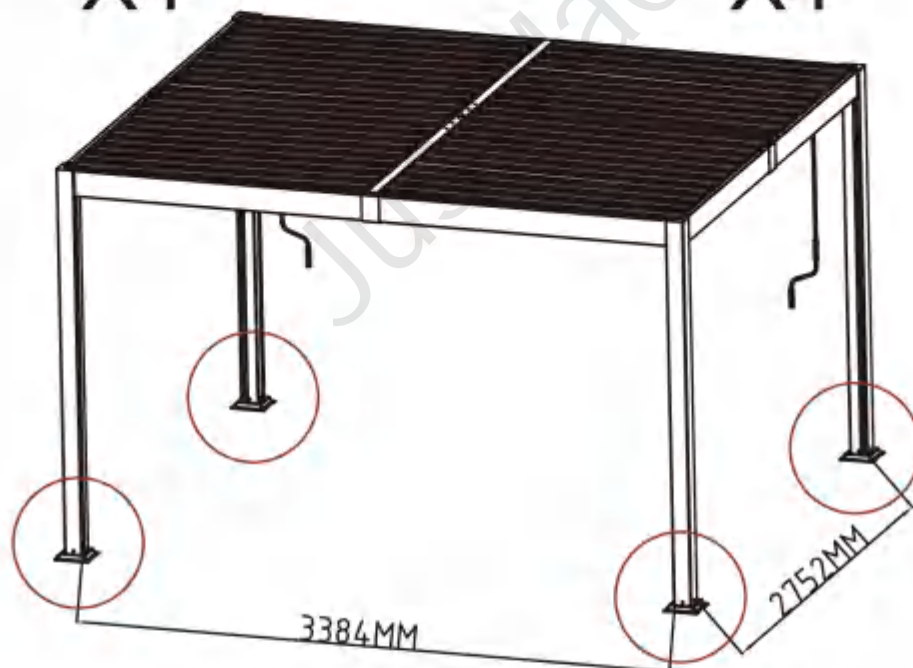
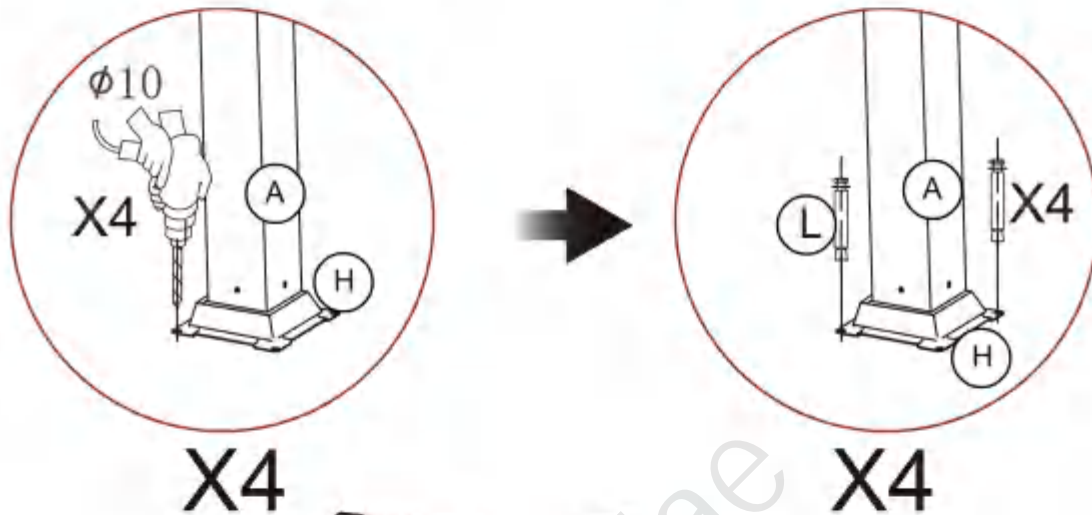


19

STEP

L
16PCS

1. Drill with a $\varnothing 10$ bit through the foot pad holes, then secure with L.



20**STEP****U**

88PCS

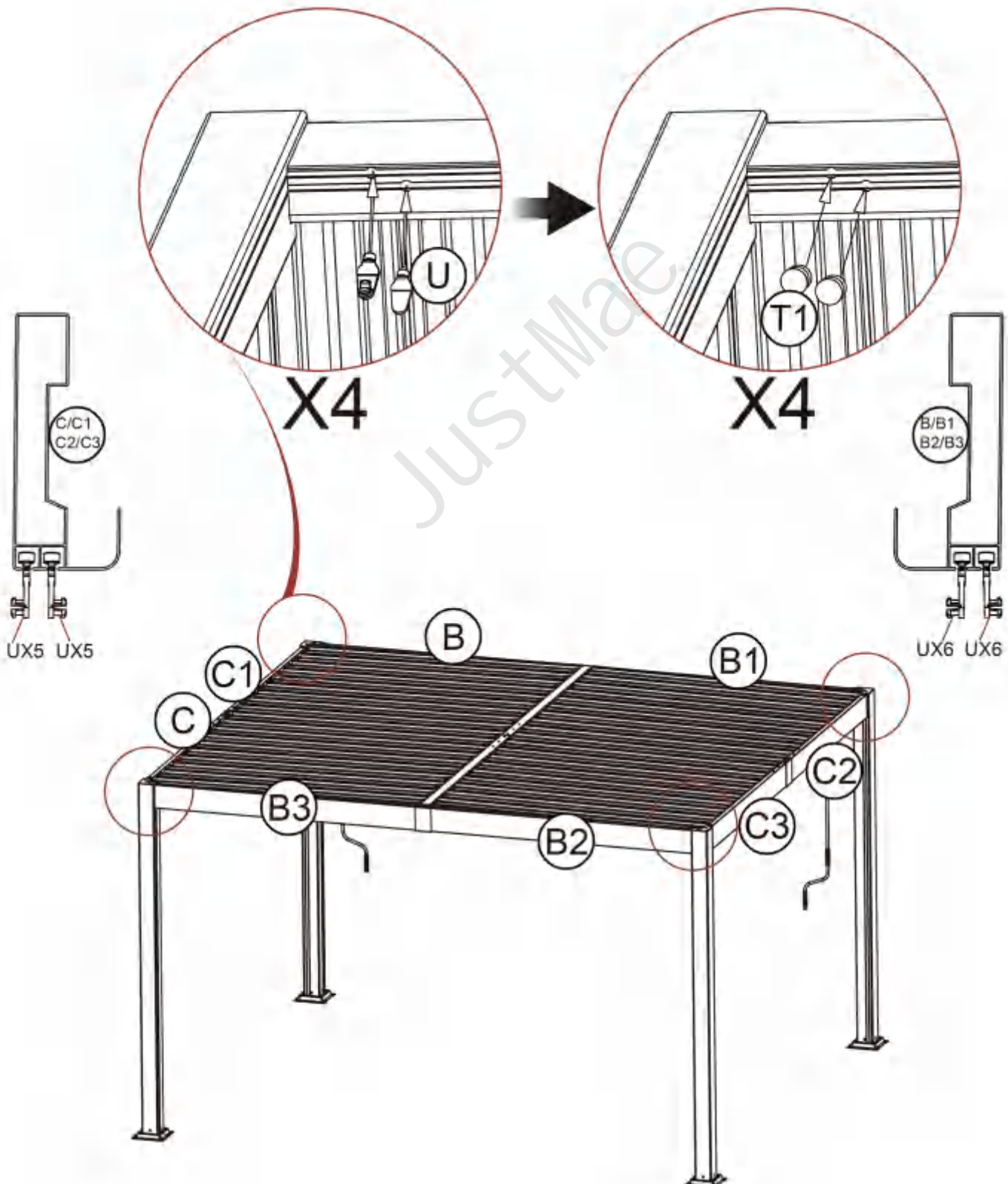
**T1**

16PCS



1. Place the specified quantity of U into the hem holes under the beam, then cover with T1.

2. Five hooks on each short side, Six hooks on each long side.



21

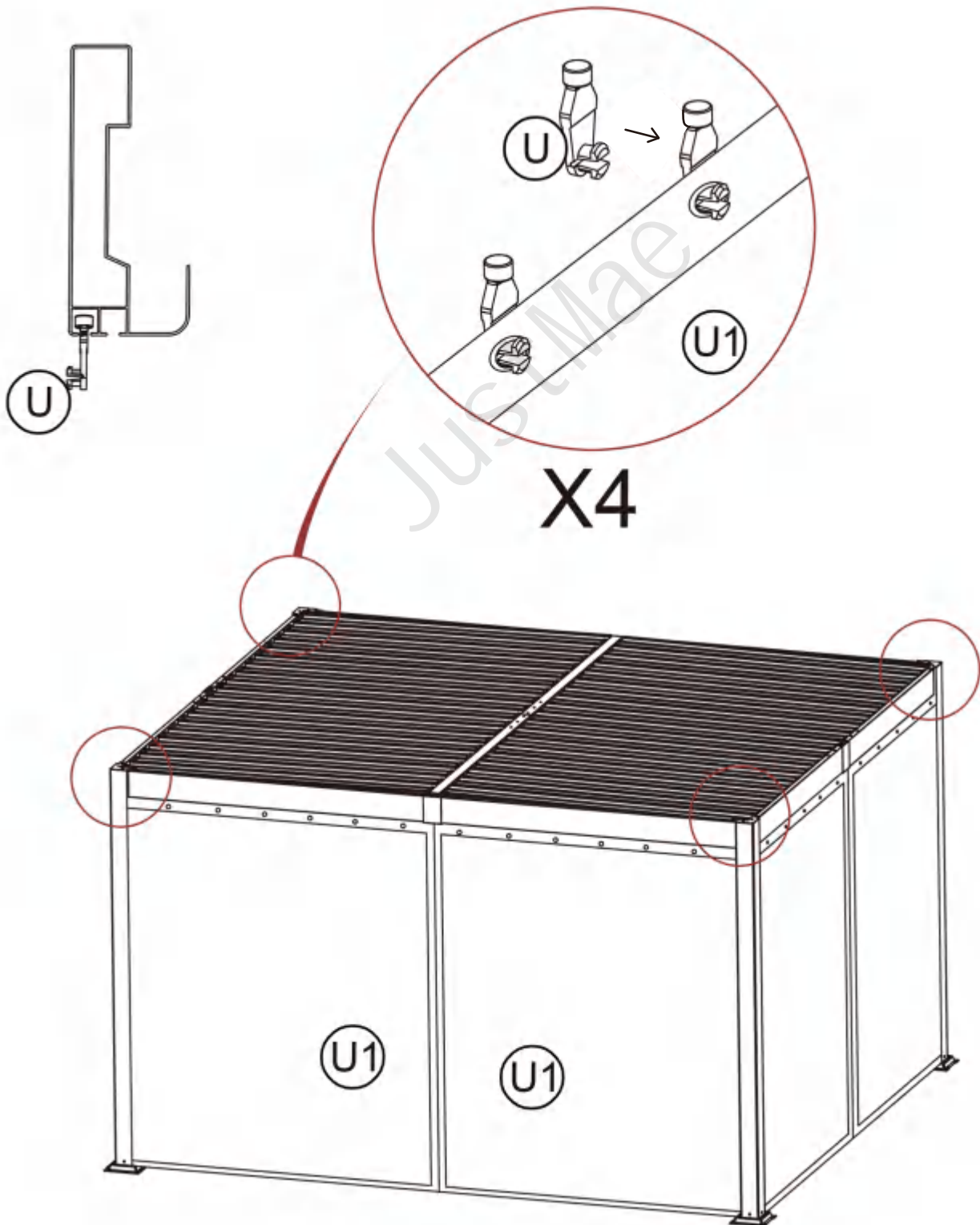
STEP

U1

x4



1. Hang the 4 fabric pieces of U1 on U.



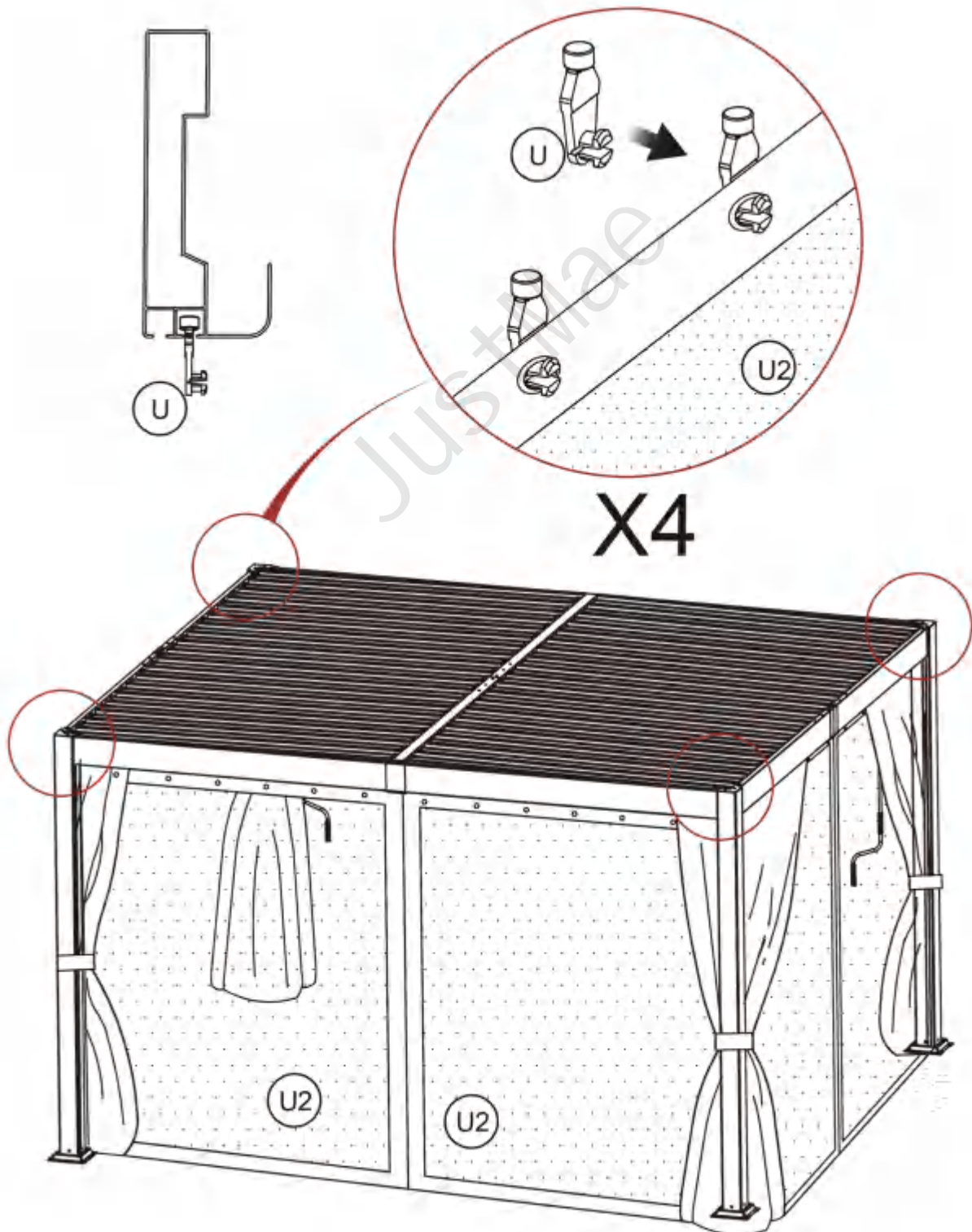
22

STEP

U2
x4



1. Hang the 4 fabric pieces of U2 on U.



CONTACT US !

Do Not Return

Our friendly team is here to help -just reach out!



ea-aftersale@outlook.com

2



Send Message

If you have any questions, please leave the order No. and related picture information we will reply you within 24 hours, and solve the problem , ASAP!