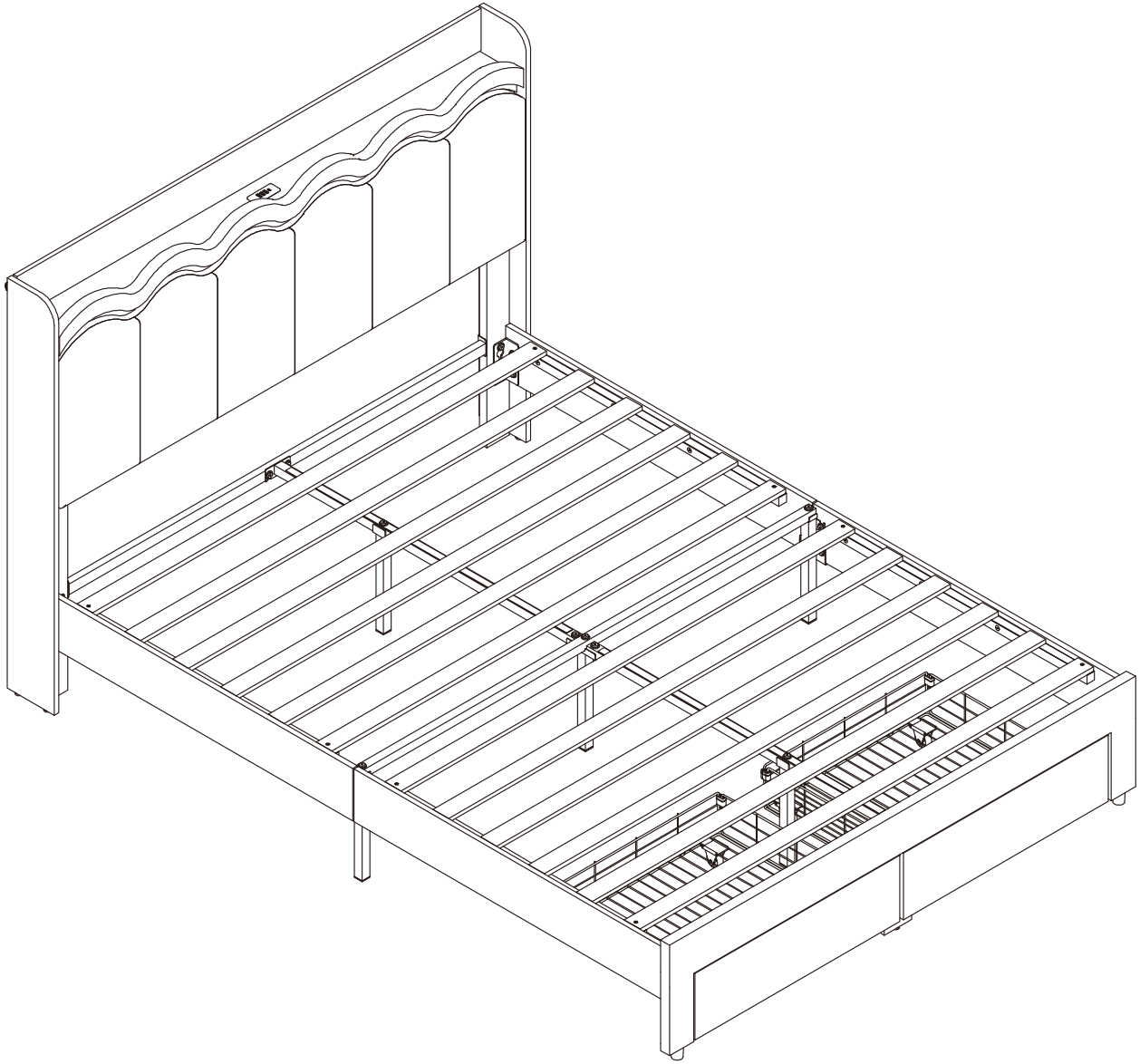


Instruction Manual



Bed Frame

HFT-UP-152 / HFT-UP-155 Full Size

HFT-UP-153 / HFT-UP-156 Queen Size V1.1

EN

Thank you for purchase on our products. Please contact us if you have difficulty with assembly or need replacement parts. Our customer service is here to assist you. Please attach your User Name or Order ID so that we can assist you better.

WARNING

Serious or fatal injury may occur from unexpected assembly or use.

1. During the assembly process, keep all parts away from babies or children.
2. Use of tip-over restraints may only reduce, but not eliminate the risk of tip-over.
3. Unless specially designed to accommodate, do not set heavy objects on top of this product.
4. Place the heaviest items on the lowest shelf.
5. Never allow children to climb or bang on drawers, doors or shelves.

DE

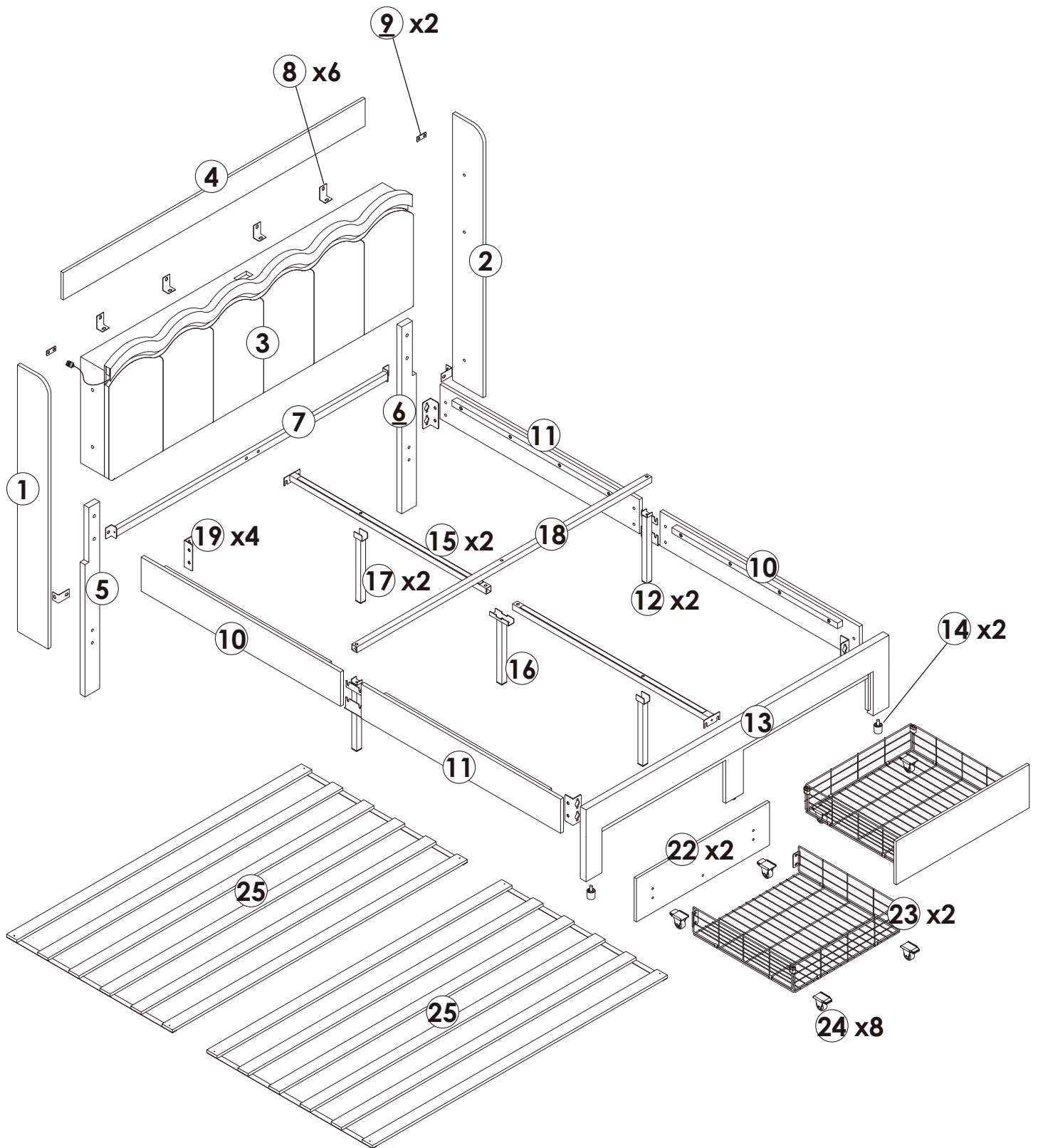
Vielen Dank für Ihren Kauf von uns Produkten. Bitte kontaktieren Sie uns, wenn Sie Probleme mit Montage haben oder Ersatzteile benötigen. Wir Kundenservice ist für Sie da. Bitte geben Sie Ihren Benutzernamen oder Ihre Bestellnummer an, damit wir Sie besser unterstützen können.

WARNUNG



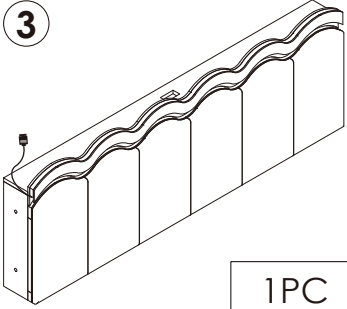
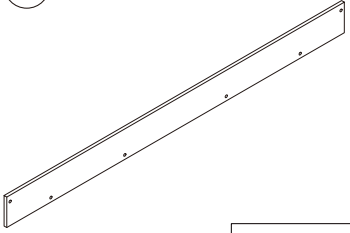


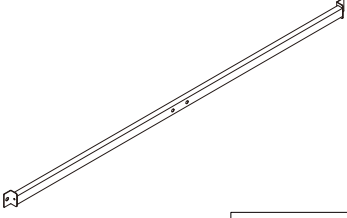
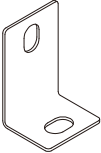
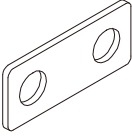
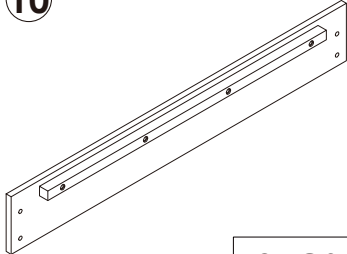
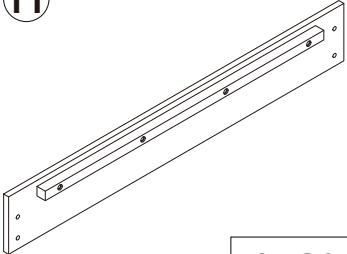
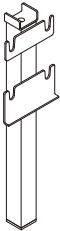
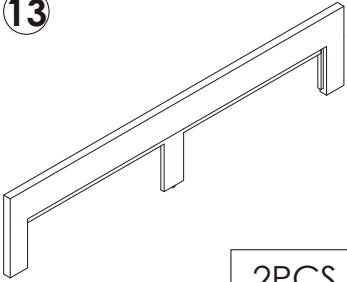
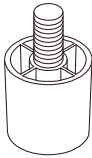
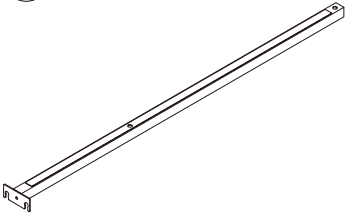
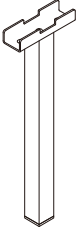

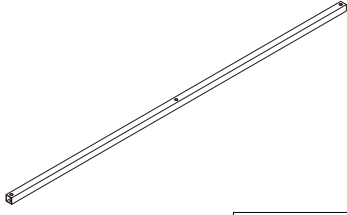
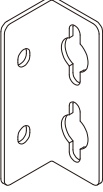

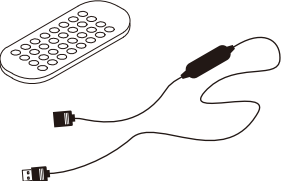
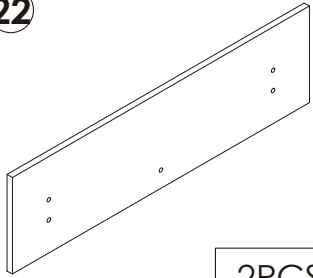
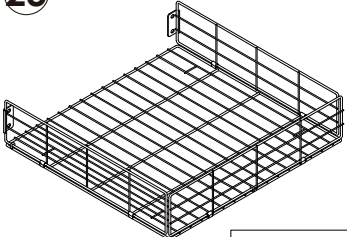
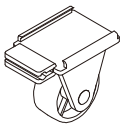
Bei unerwarteter Montage oder Verwendung können schwere oder tödliche Verletzung auftreten.

1. Legen Sie in den Montageprozess alle Teile weg von Babys oder Kindern.
2. Die Verwendung von Kippsicherungen kann die Gefahr eines Kippens nur verringern, jedoch nicht beseitigen.
3. Setzen Sie bitte keine schweren Gegenstände auf dieses Produkt, es sei denn, dass das Produkt speziell für die Unterbringung konzipiert wird.
4. Legen Sie bitte die schwersten Gegenstände auf das unterste Regal.
5. Erlauben Sie nie Kindern, auf Schubladen, Türen oder Regale zu klettern oder zu knallen.

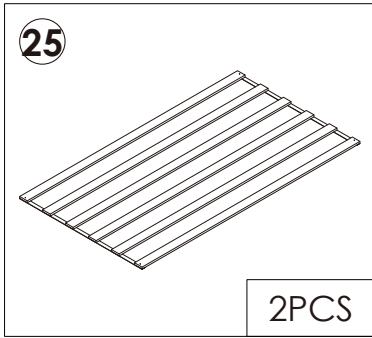
Parts list



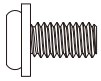
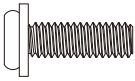
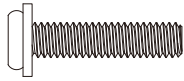
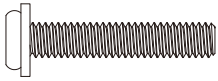
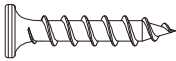

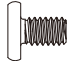
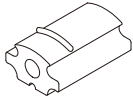
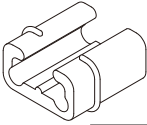
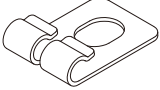

Parts list

<p>①</p>  <p>1PC</p>	<p>②</p>  <p>1PC</p>	<p>③</p>  <p>1PC</p>	<p>④</p>  <p>1PC</p>
<p>⑤</p>  <p>1PC</p>	<p>⑥</p>  <p>1PC</p>	<p>⑦</p>  <p>1PC</p>	<p>⑧</p>  <p>6PCS</p>
<p>⑨</p>  <p>2PCS</p>	<p>⑩</p>  <p>2PCS</p>	<p>⑪</p>  <p>2PCS</p>	<p>⑫</p>  <p>2PCS</p>
<p>⑬</p>  <p>2PCS</p>	<p>⑭</p>  <p>2PCS</p>	<p>⑮</p>  <p>2PCS</p>	<p>⑯</p>  <p>1PC</p>
<p>⑰</p>  <p>2PCS</p>	<p>⑱</p>  <p>1PC</p>	<p>⑲</p>  <p>4PCS</p>	<p>⑳</p>  <p>1PC</p>
<p>㉑</p>  <p>1PC</p>	<p>㉒</p>  <p>2PCS</p>	<p>㉓</p>  <p>2PCS</p>	<p>㉔</p>  <p>8PCS</p>

Parts list

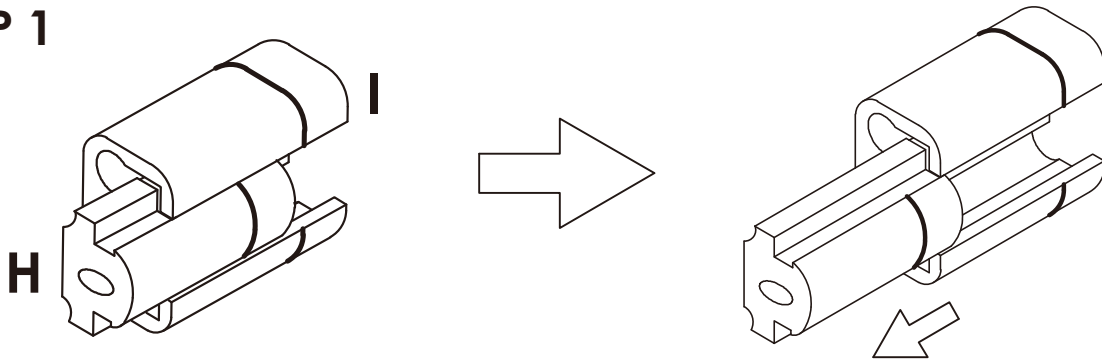


Hardware List

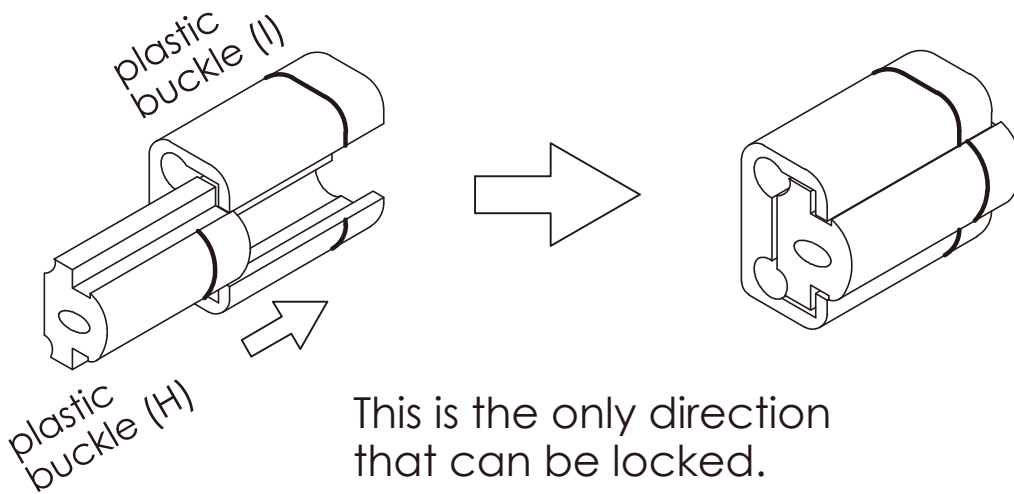
<p>A</p>  <p>5/16x19mm 40+4PCS</p>	<p>B</p>  <p>5/16x25mm 6+1PCS</p>	<p>C</p>  <p>5/16x35mm 10+1PCS</p>	<p>D</p>  <p>5/16x45mm 5+1PCS</p>
<p>E</p>  <p>M4x25mm 8+1PCS</p>	<p>F</p>  <p>M3x13mm 2+1PCS</p>	<p>G</p>  <p>1/4x10mm 10+1PCS</p>	<p>H</p>  <p>4+1PCS</p>
<p>I</p>  <p>4+1PCS</p>	<p>J</p>  <p>2+1PCS</p>	<p>K</p>  <p>1PC</p>	

Assembly Instruction of (Drawer)

STEP 1

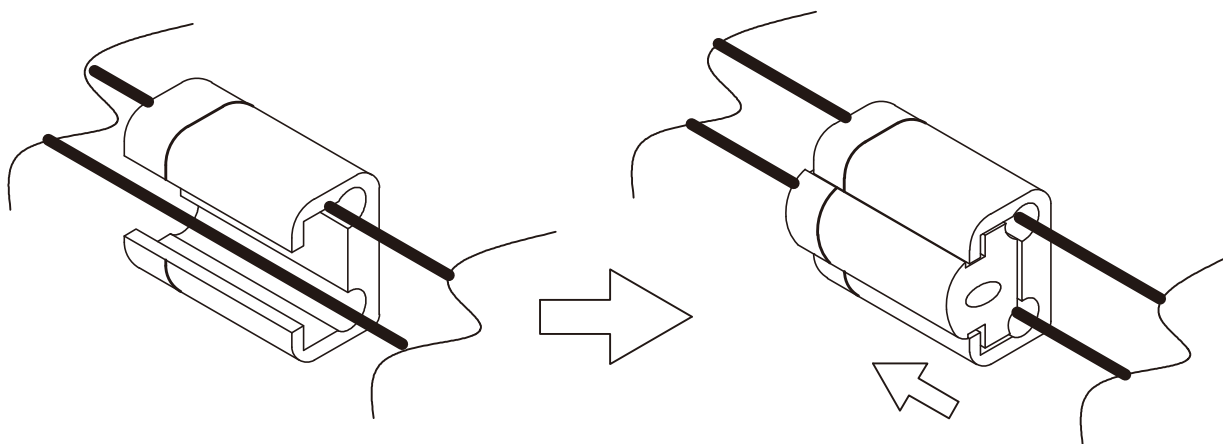


You can pull the buckle out by following the direction indicated by the arrow



This is the only direction that can be locked.

STEP 2

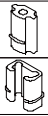
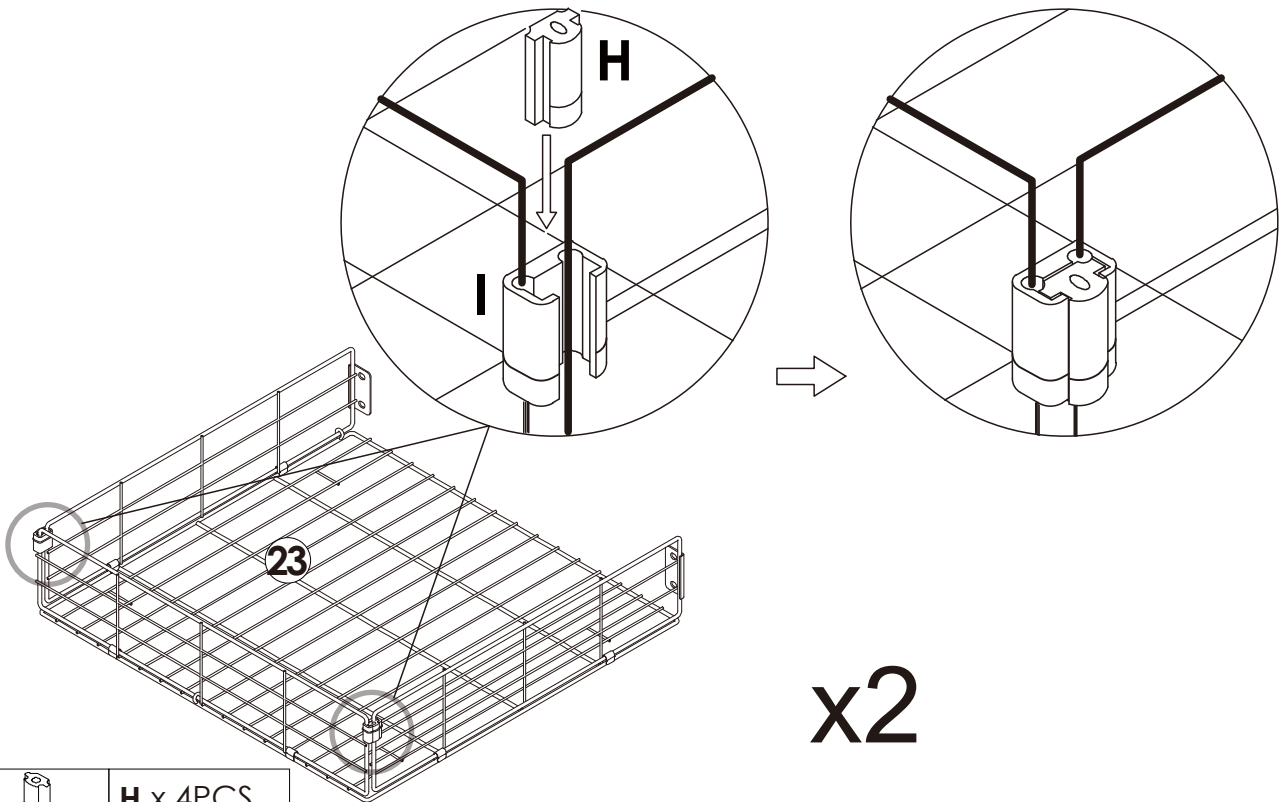


Place the round iron tubes as shown for better assembly of the drawers.

Assembly Instruction of (Drawer)

STEP 3

Assemble the plastic buckle as shown in the figure.



H x 4PCS

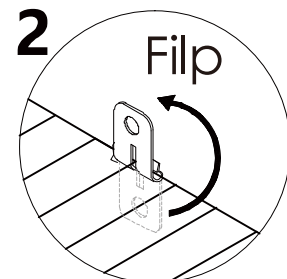
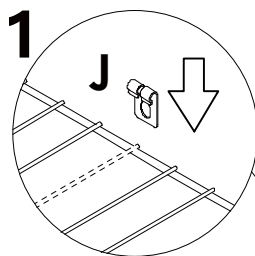


I x 4PCS

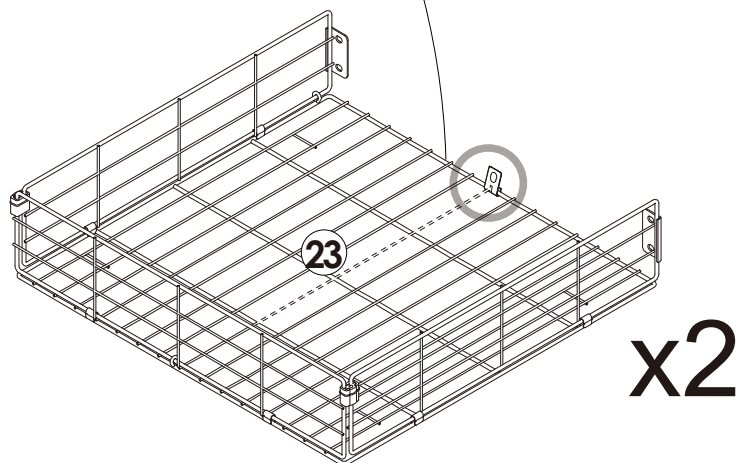
STEP 4

Assemble drawer hook

1: As shown in the picture, please clip the #M in the middle of the iron mesh drawer. This needs to connect the riddle hole of #22 (drawer front panel) in the following steps.



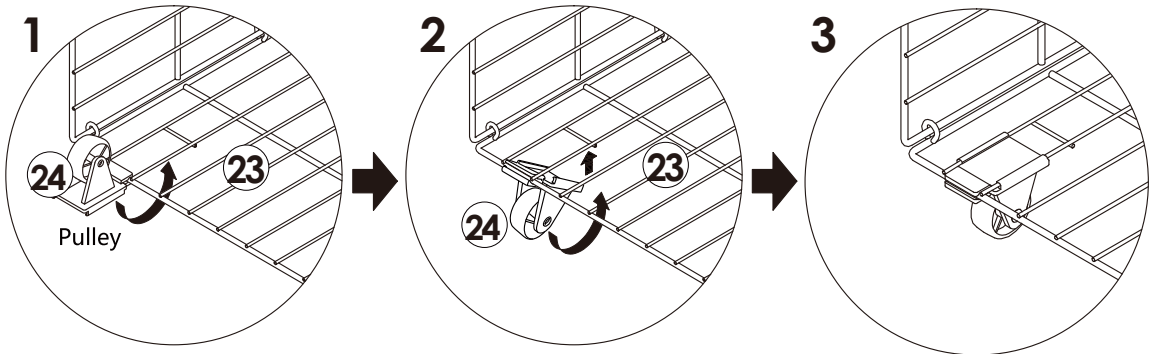
2: Flip it and turn it over.



J x 2PCS

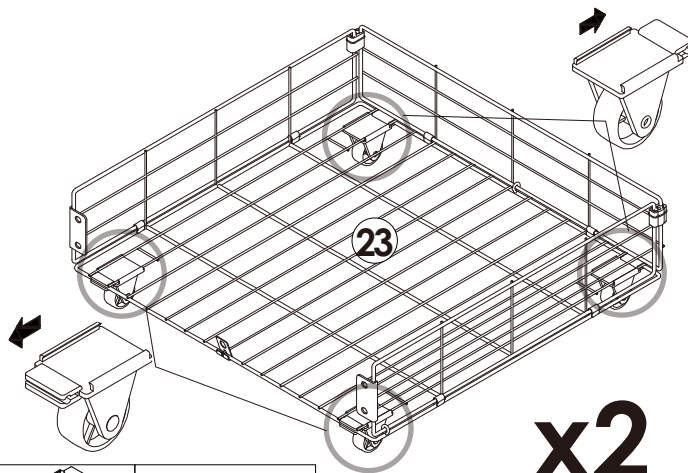
Assembly Instruction of (Drawer)

STEP 5



1. Please Clip the wheels on the big iron wire first, As shown in the figure.

2. Please turn the wheel over, keep the plastic plate of the wheel between the two wires, and then press hard so that the wires are stuck into the plastic plate. This requires some strength.



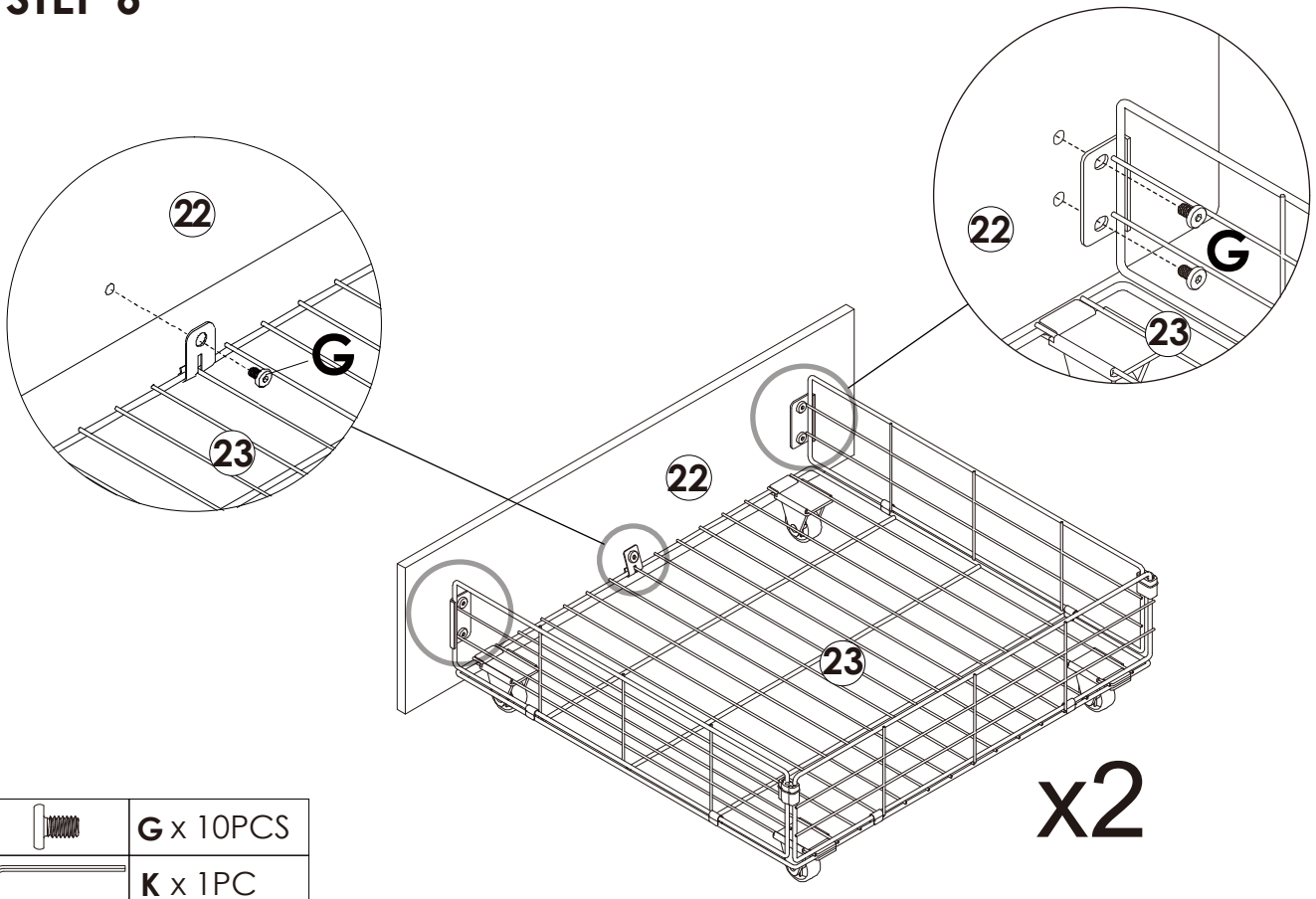
3. Place the drawer in the right way as picture shows, it would help you assemble drawer easily.



24 x 8PCS

x2

STEP 6



G x 10PCS

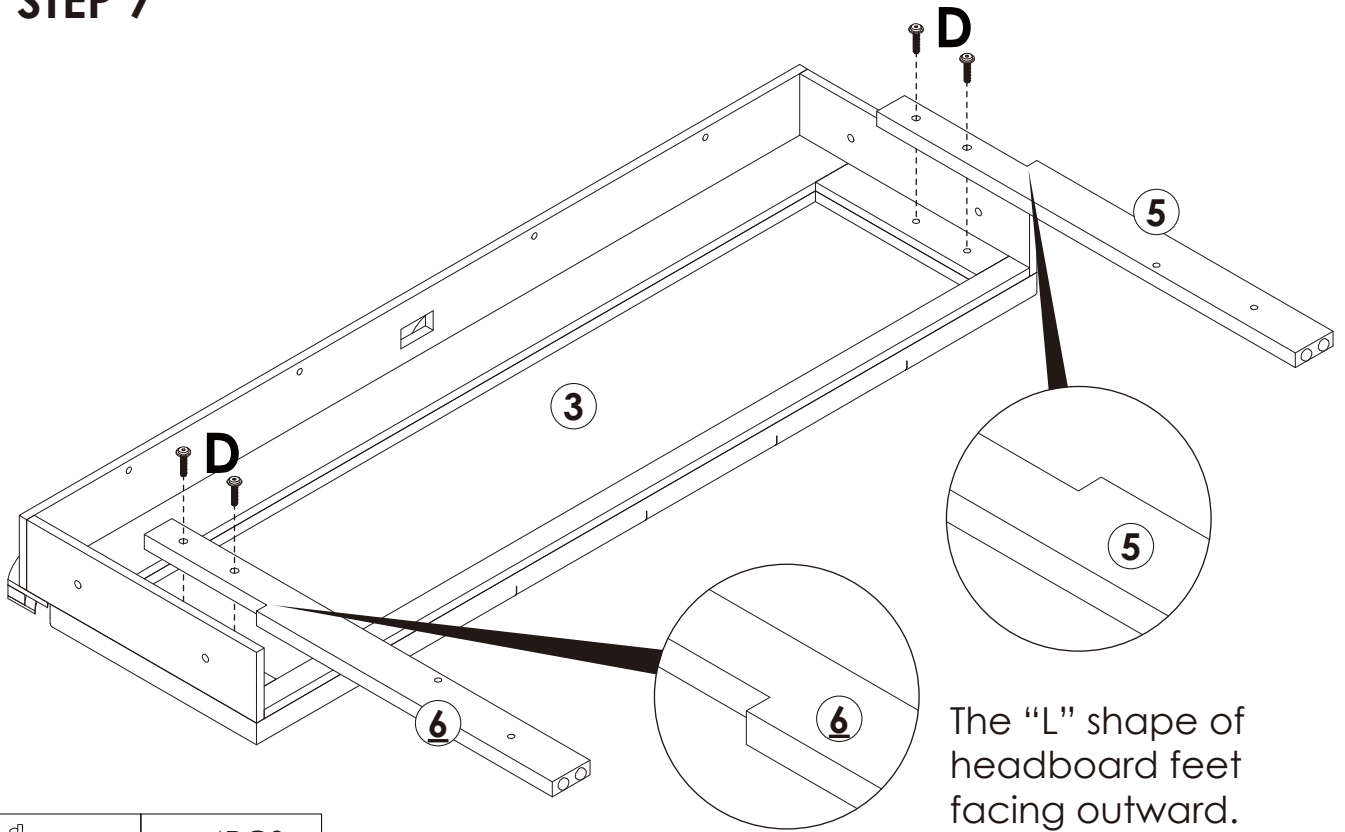


K x 1PC



x2

Assembly Instruction of (Bed)

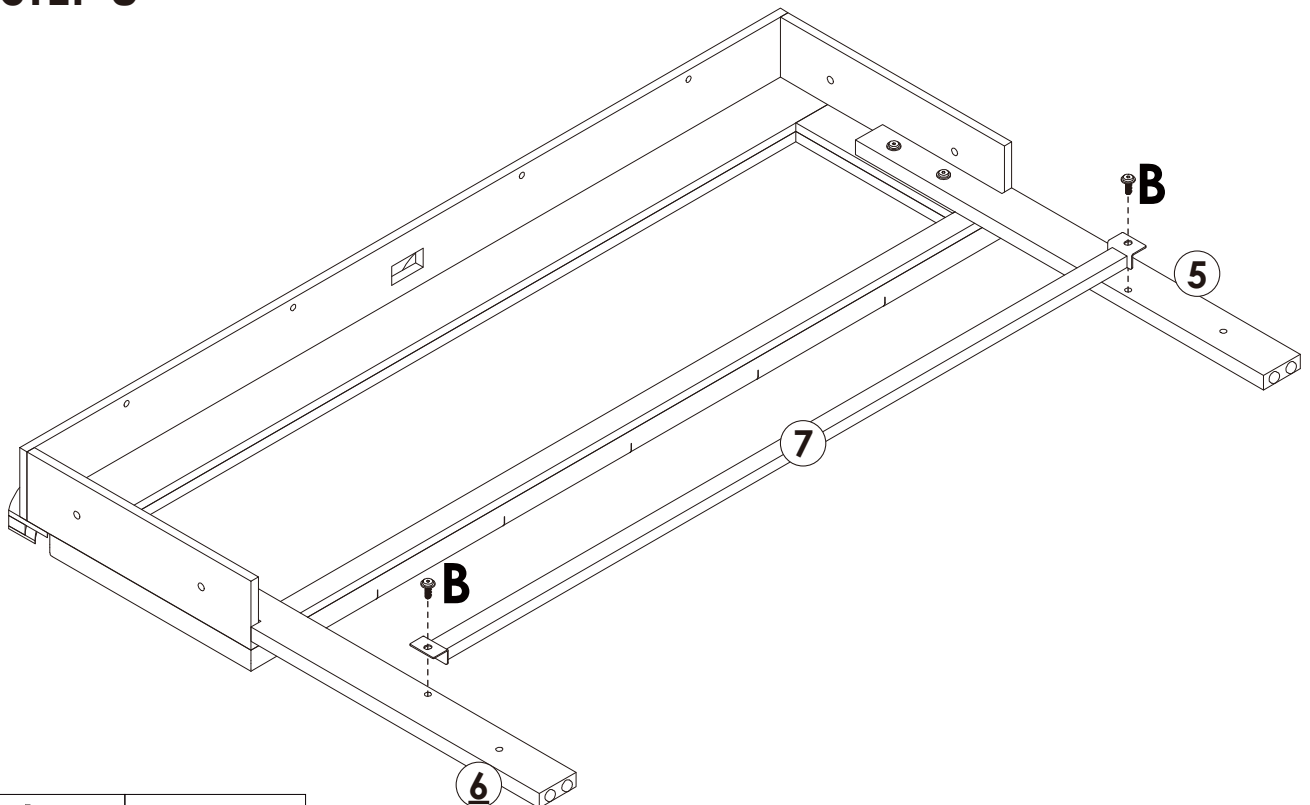
STEP 7





The "L" shape of headboard feet facing outward.

	D x 4PCS
	K x 1PC

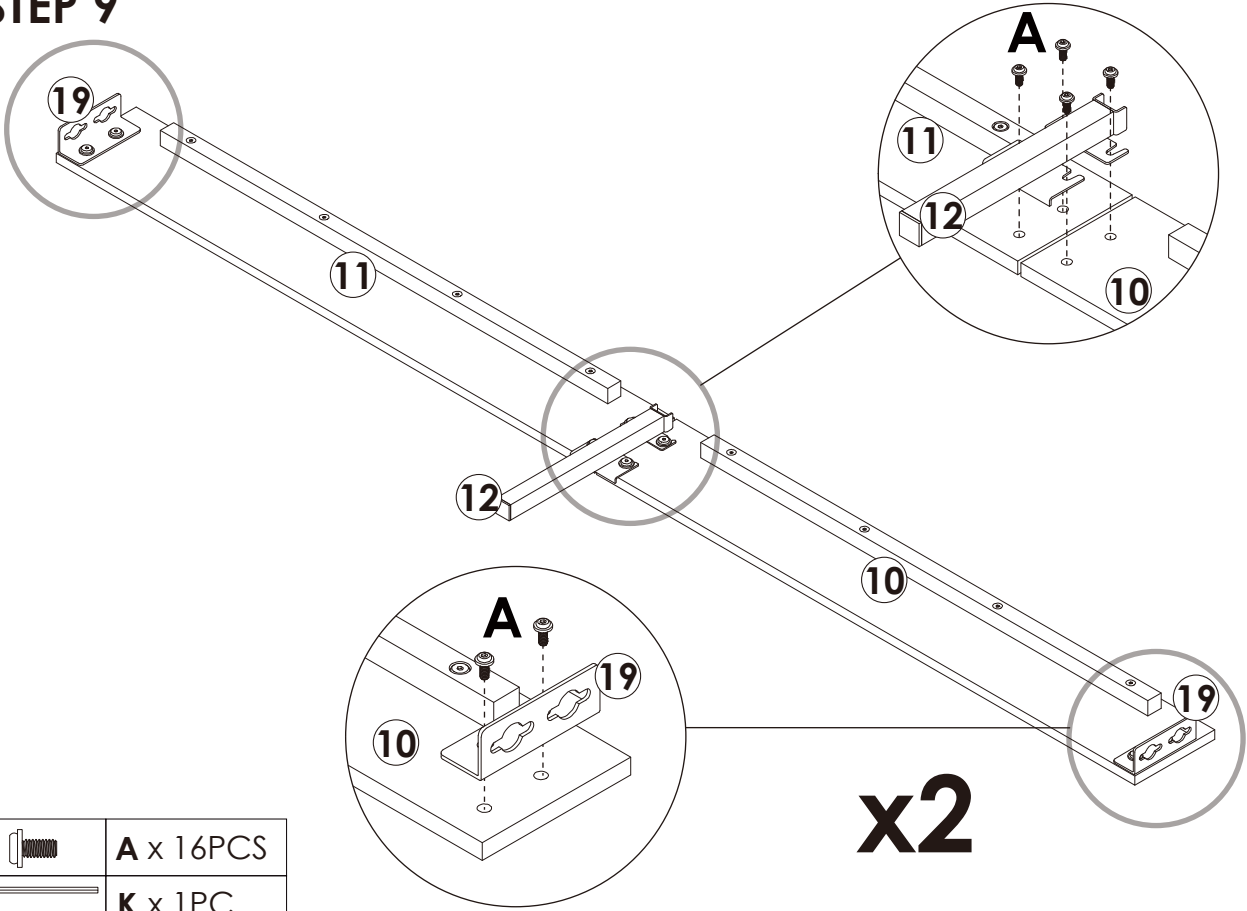
STEP 8





	B x 2PCS
	K x 1PC

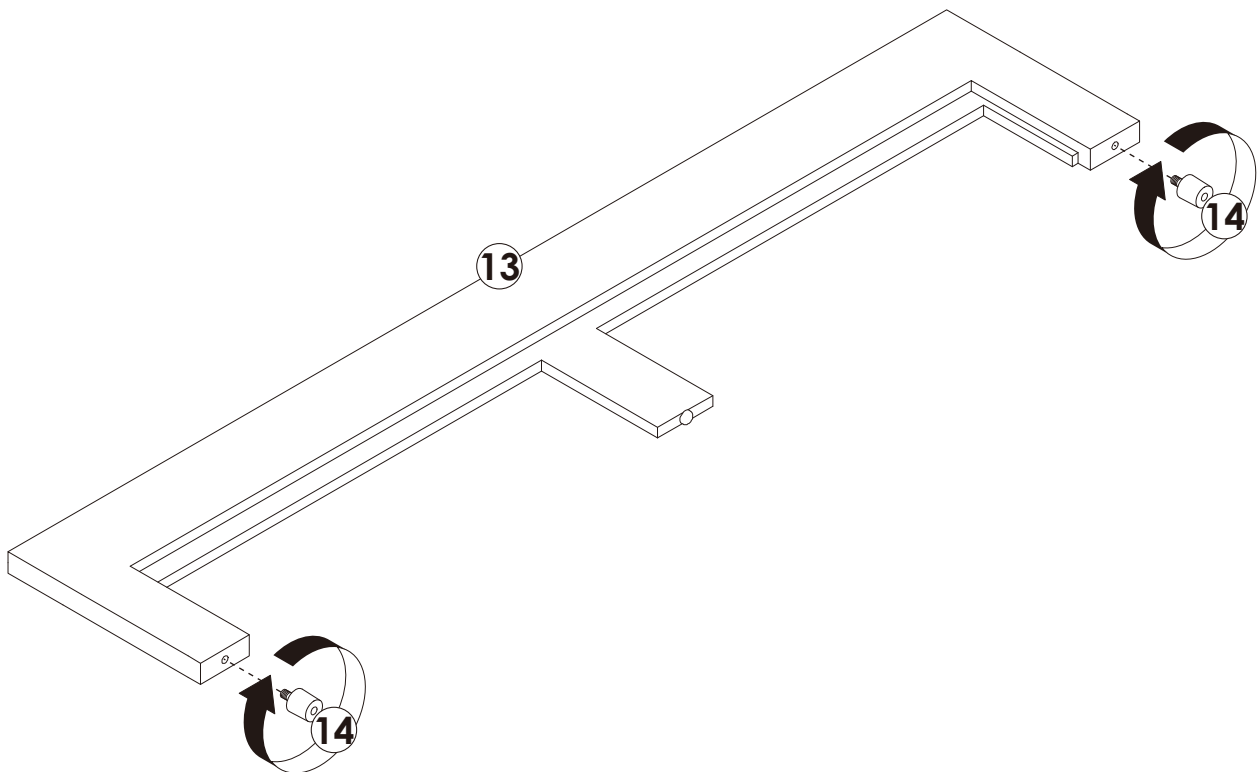
Assembly Instruction of (Bed)

STEP 9



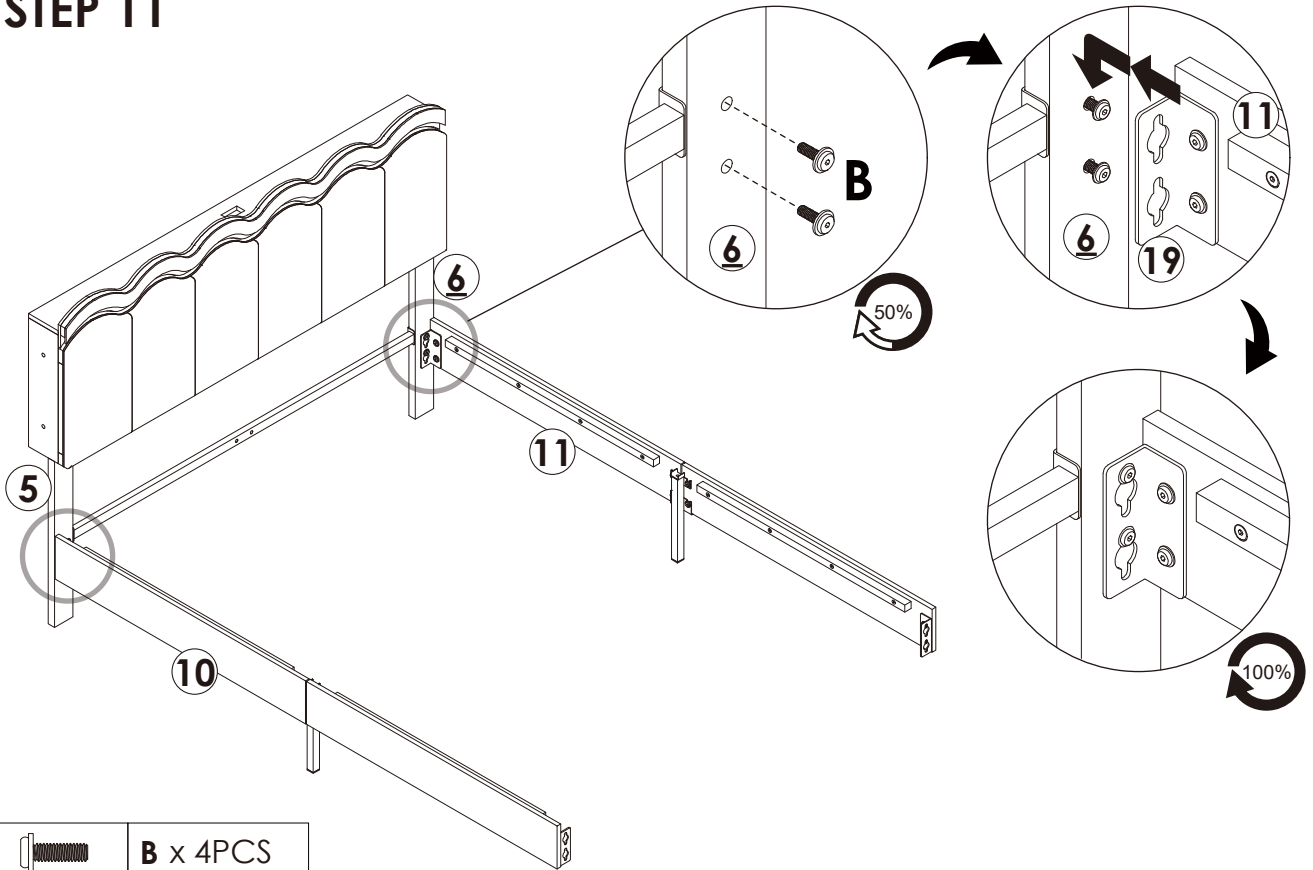
	A x 16PCS
	K x 1PC



STEP 10



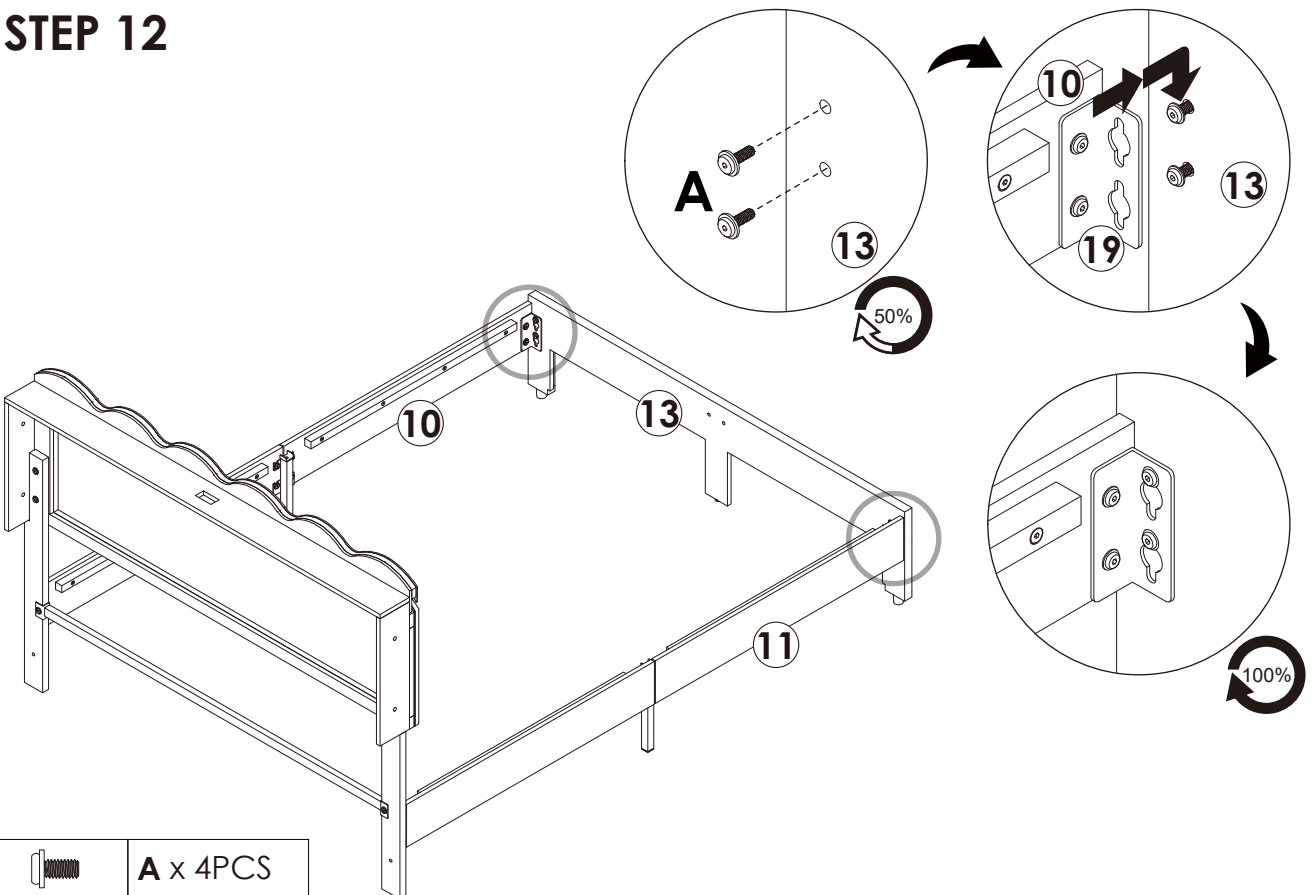
Assembly Instruction of (Bed)



STEP 11



	B x 4PCS
	K x 1PC

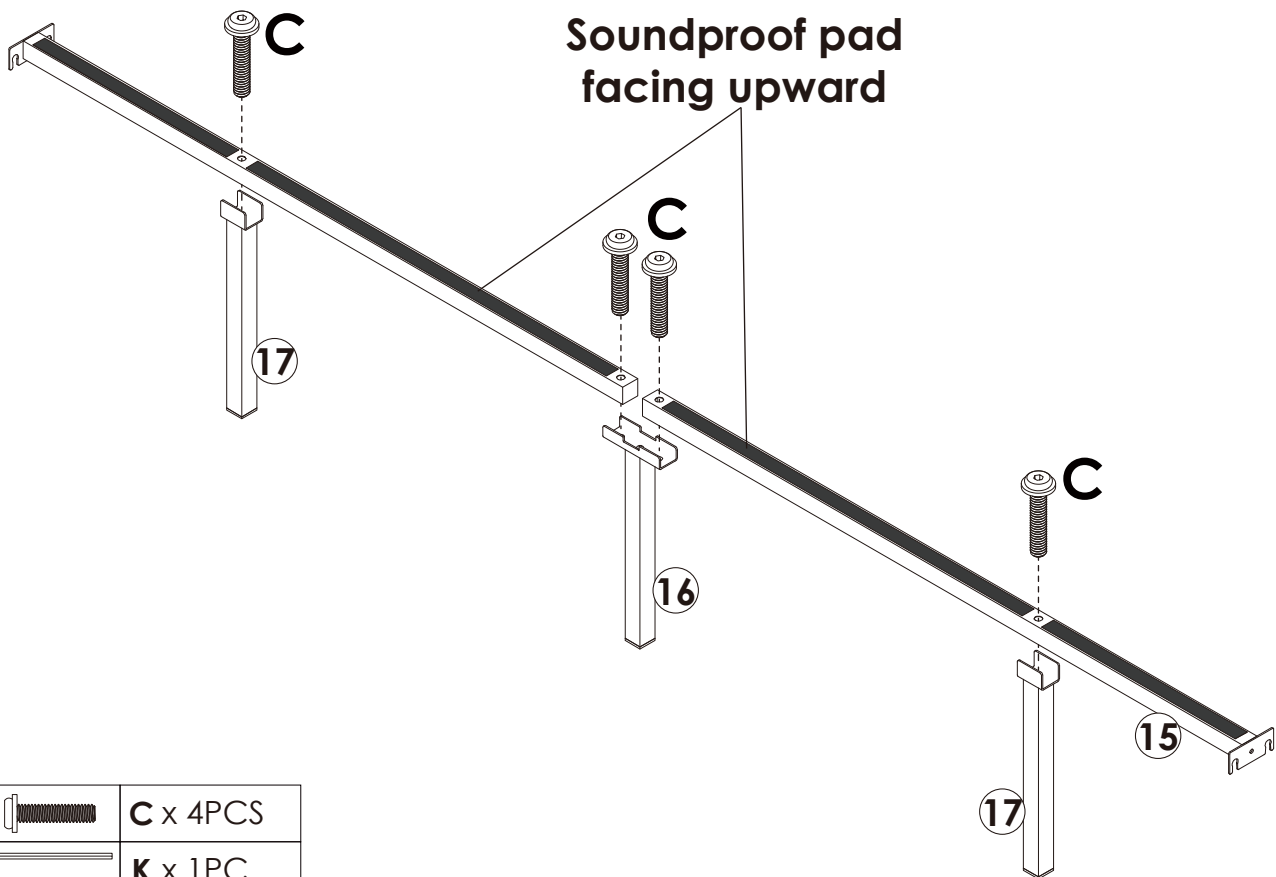
STEP 12



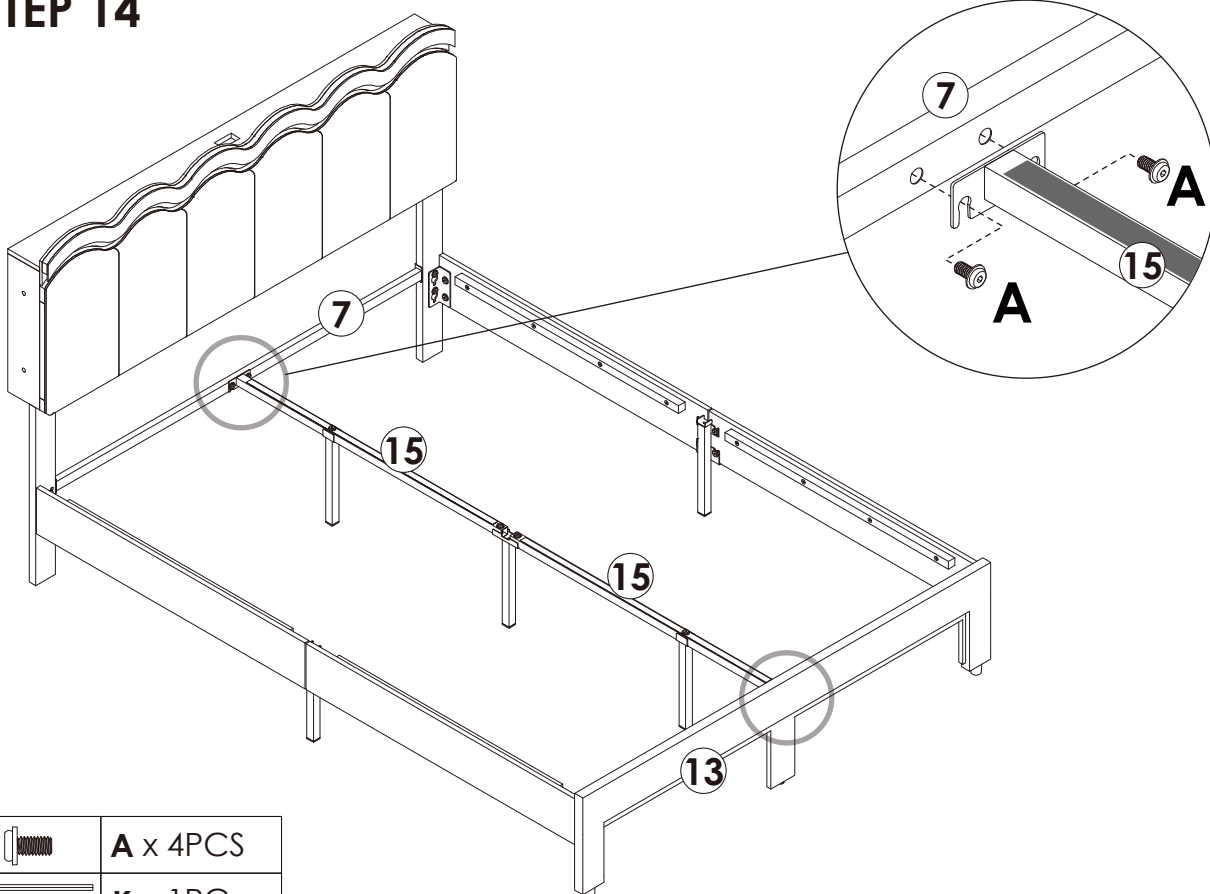
	A x 4PCS
	K x 1PC

Assembly Instruction of (Bed)

STEP 13

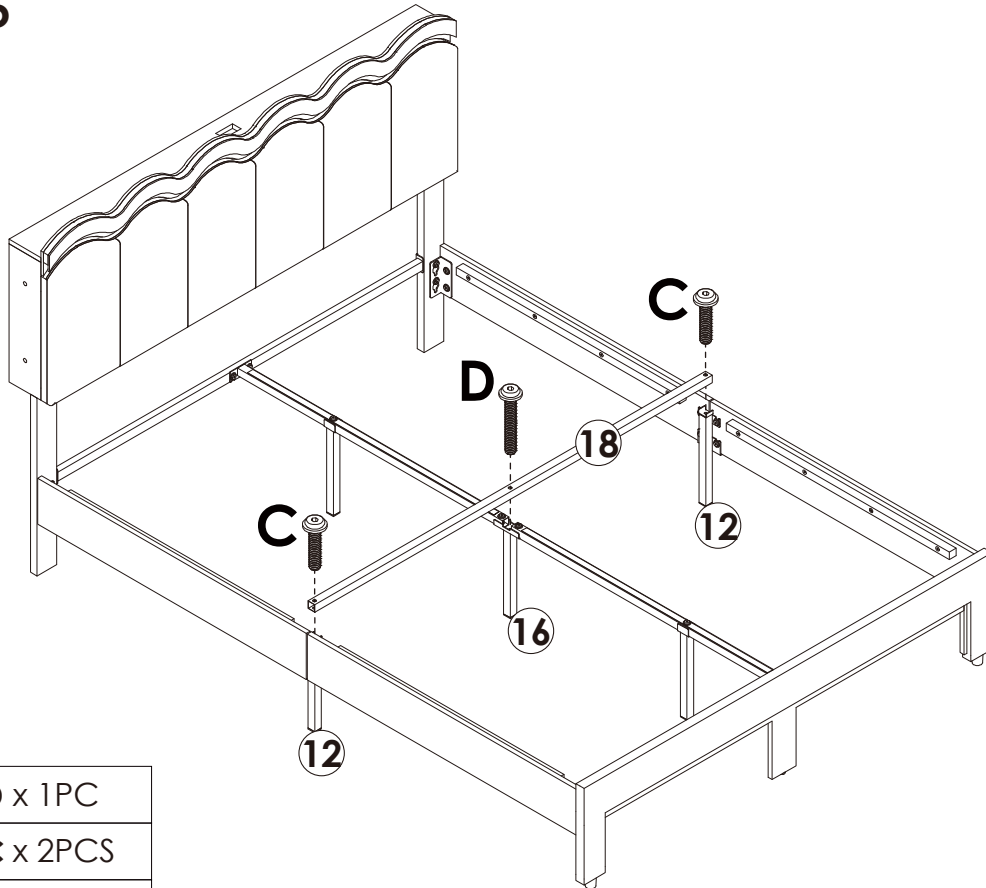





STEP 14



Assembly Instruction of (Bed)

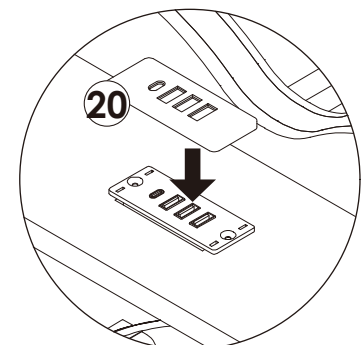
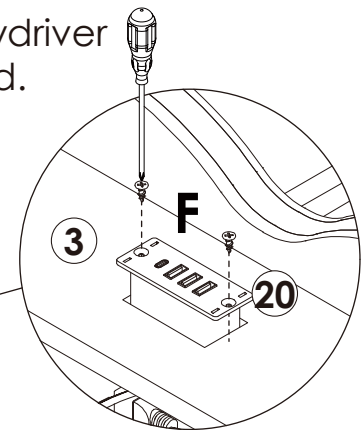
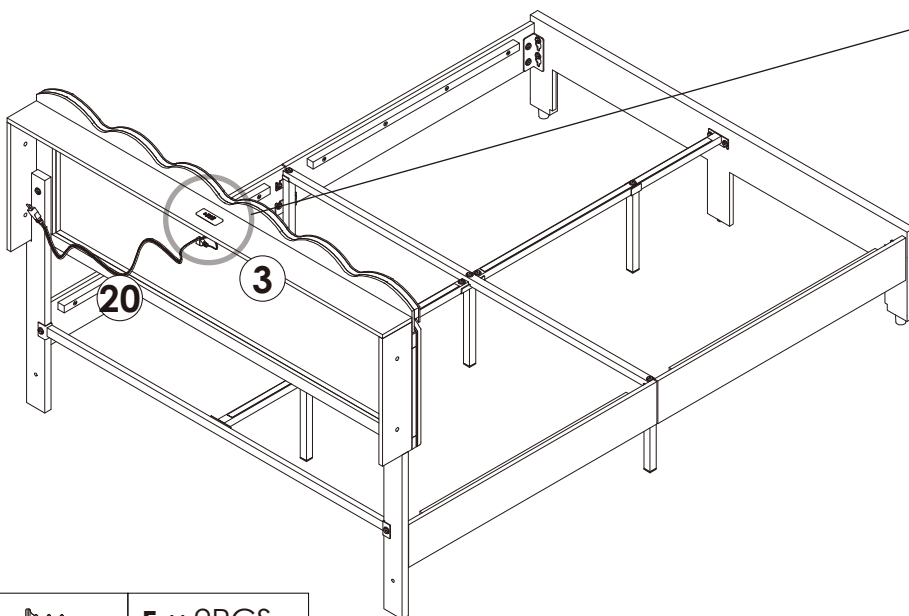
STEP 15



	D x 1PC
	C x 2PCS
	K x 1PC

STEP 16

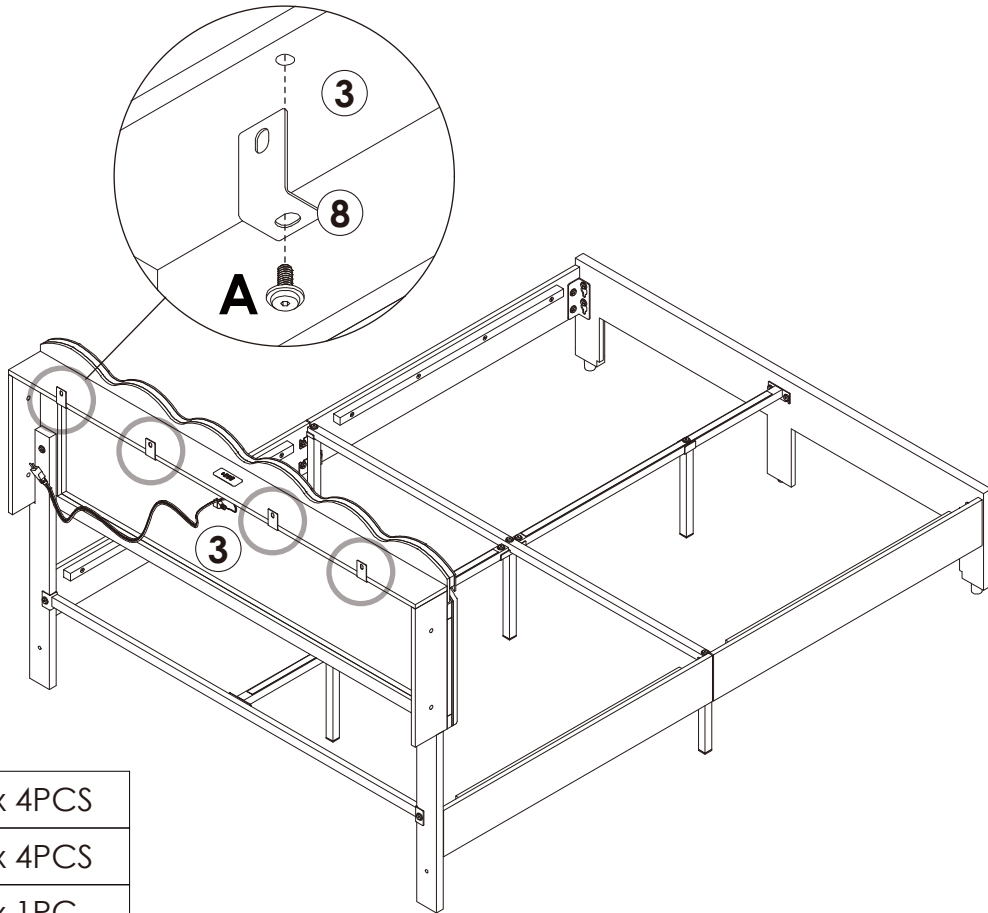
Phillips screwdriver
Not provided.






	F x 2PCS
---	----------

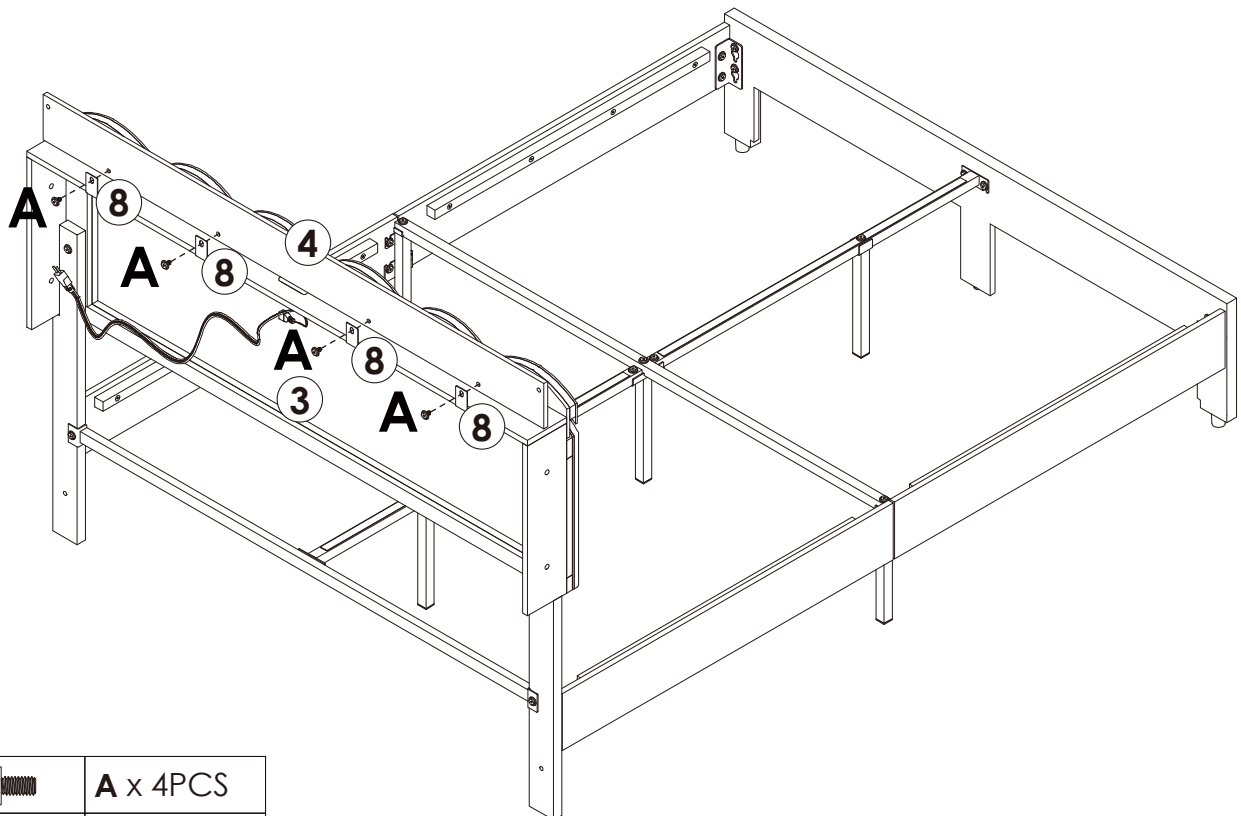
Assembly Instruction of (Bed)



STEP 17



	8 x 4PCS
	A x 4PCS
	K x 1PC

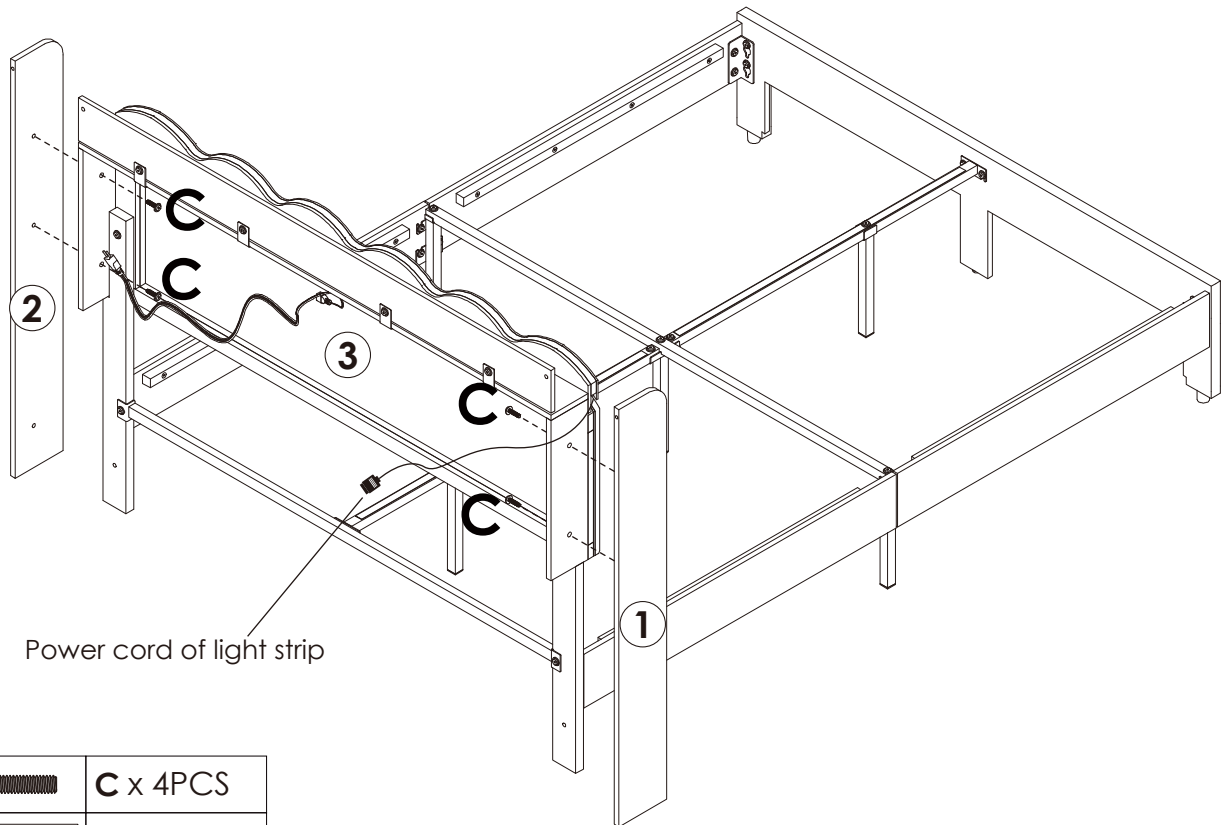
STEP 18





	A x 4PCS
	K x 1PC

Assembly Instruction of (Bed)

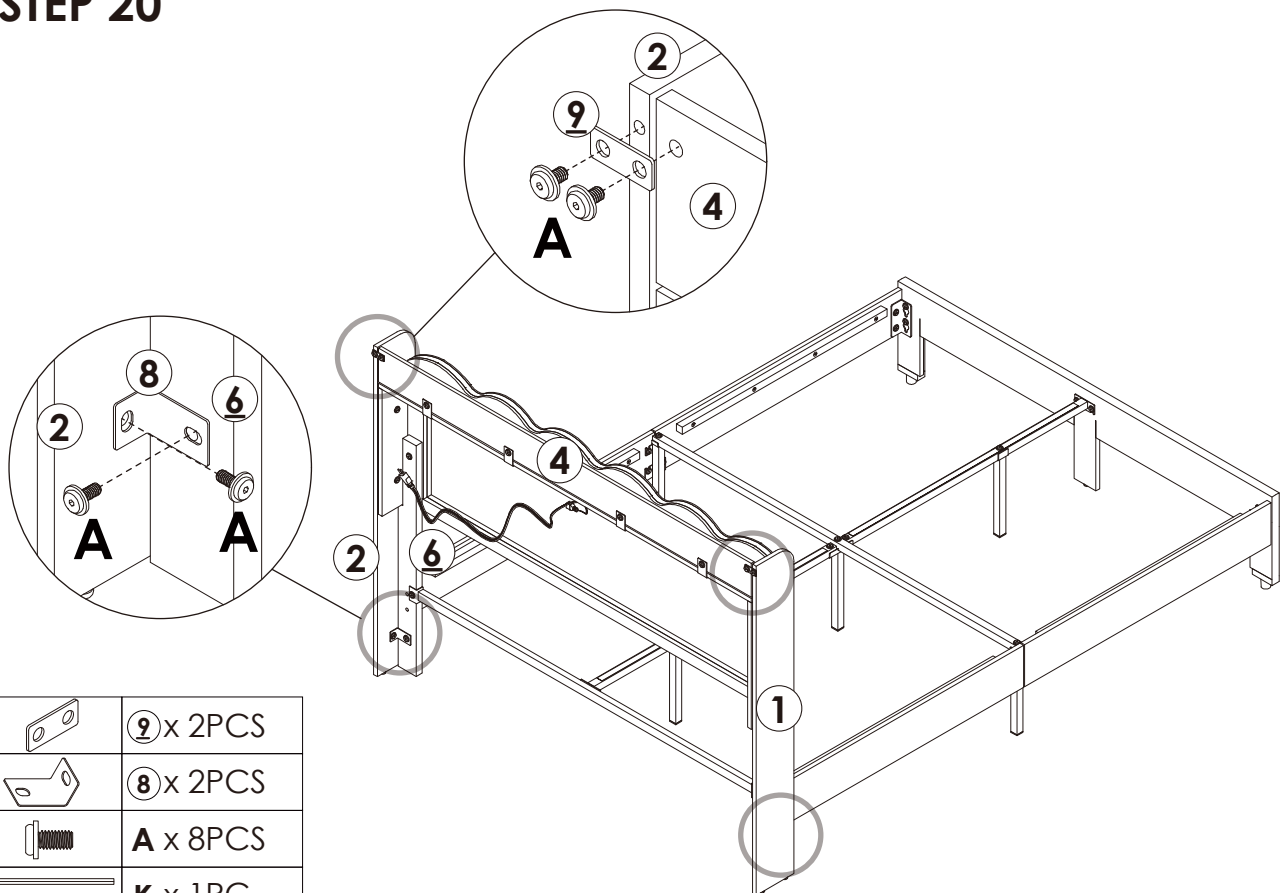
STEP 19

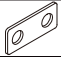





Power cord of light strip

	C x 4PCS
	K x 1PC

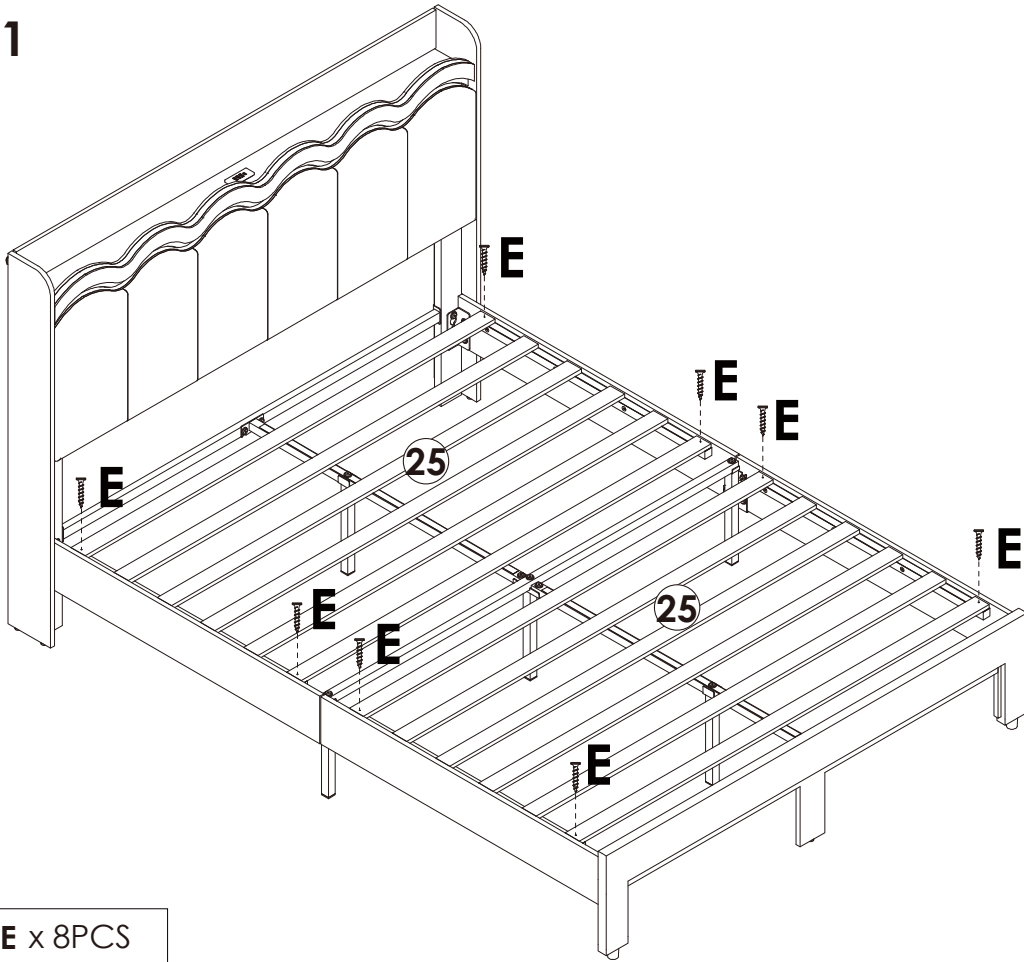
STEP 20



	9 x 2PCS
	8 x 2PCS
	A x 8PCS
	K x 1PC

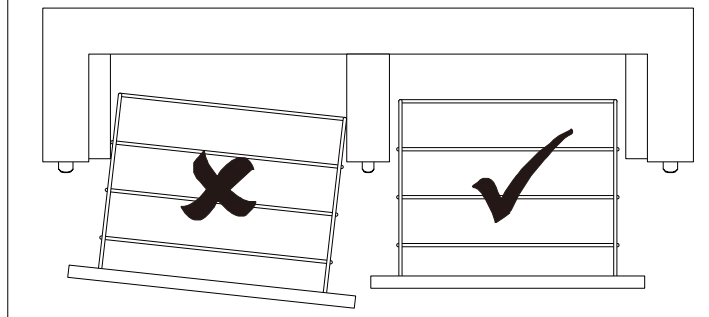
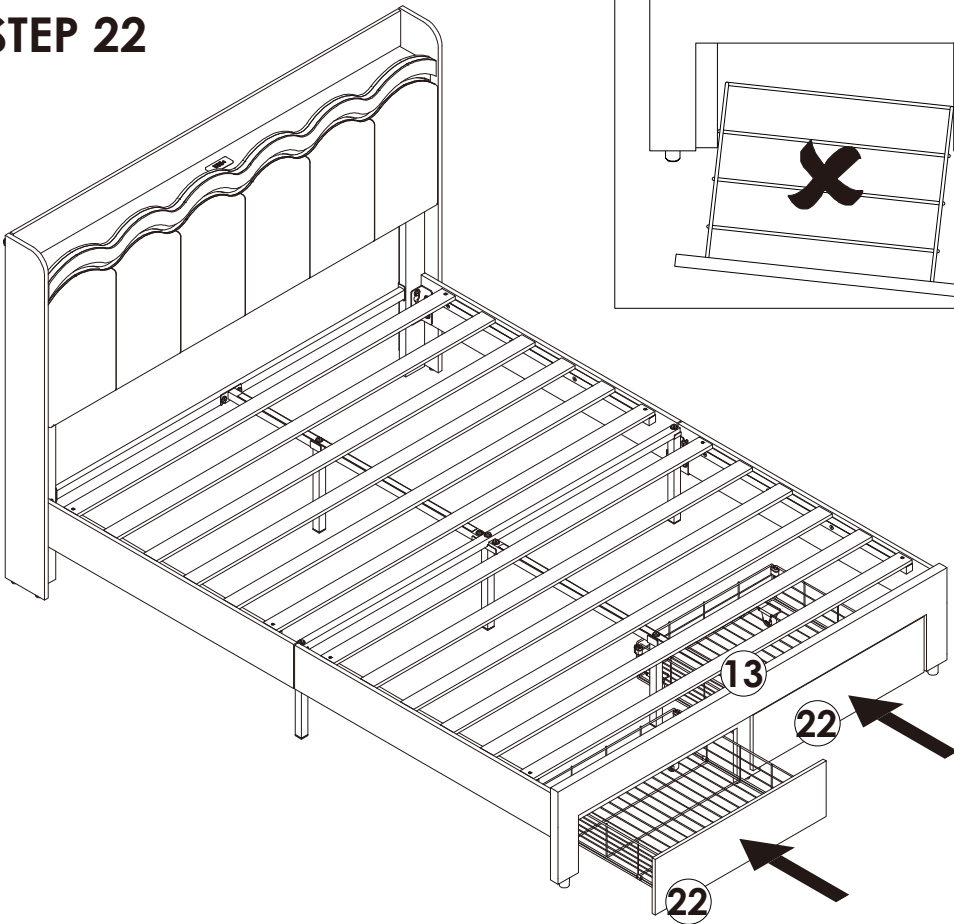
Assembly Instruction of (Bed)

STEP 21



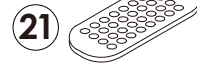
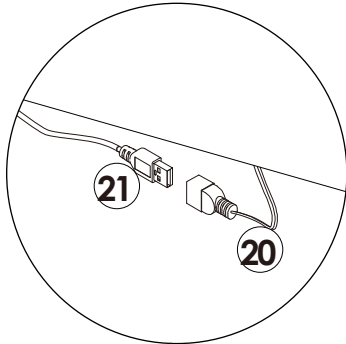
E x 8PCS

STEP 22



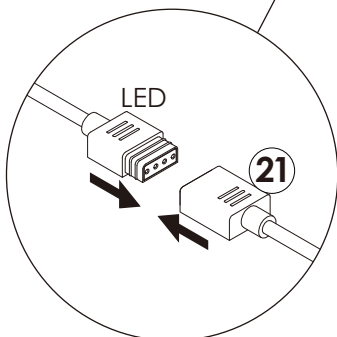
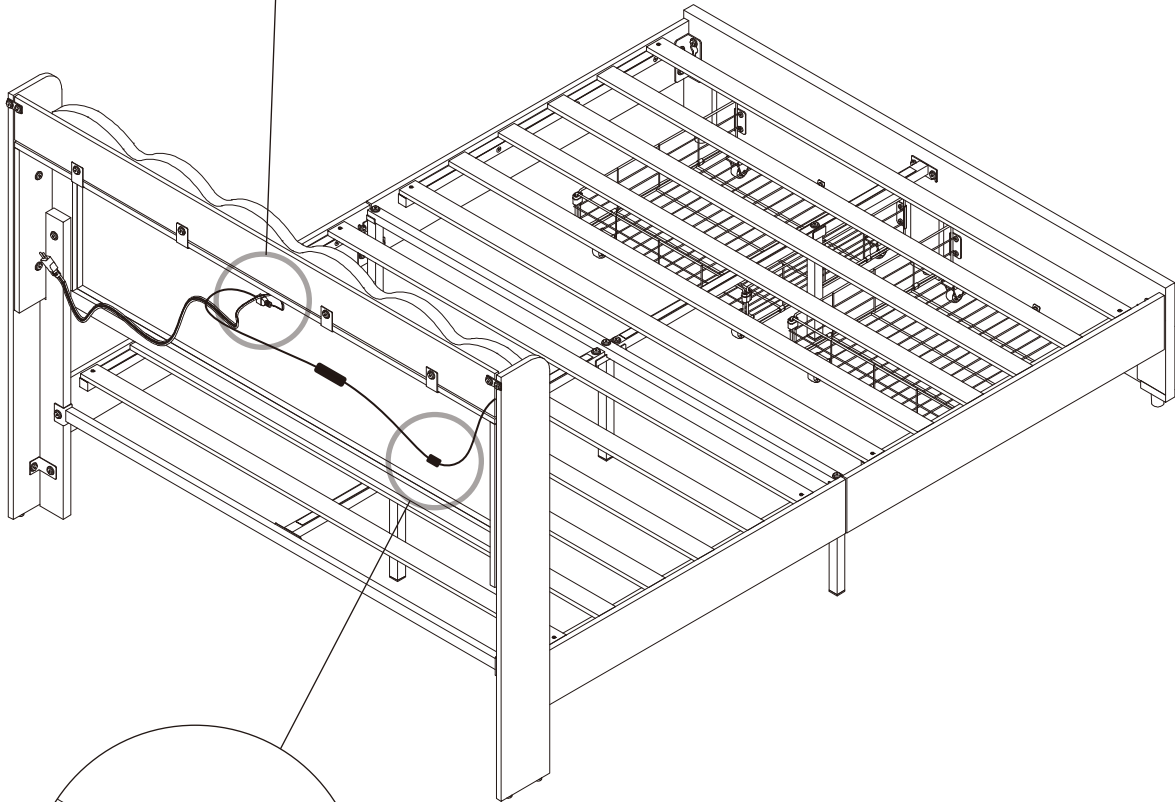
Assembly Instruction of (Bed)

STEP 23



Remote control

You can use the remote to control the light. The LED lamp can only be used after the power supply is connected.



Noted: The square part of the receiver ②① needs to be exposed to air in order to better control the LED light.

! WARNING

INGESTION HAZARD: This product contains a button cell or coin battery. **DEATH** or serious injury can occur if ingested.

A swallowed button cell or coin battery can cause **Internal Chemical Burns** in as little as **2 hours**.

KEEP new and used batteries **OUT OF REACH of CHILDREN**

Seek immediate medical attention if a battery is suspected to be swallowed or inserted inside any part of the body.



- Remove and immediately recycle or dispose of used batteries according to local regulations and keep away from children. Do NOT dispose of batteries in household trash or incinerate.
- Even used batteries may cause severe injury or death.
- Call a local poison control center for treatment information.
- This product contains a CR2025,DC3V coin battery. A coin battery can cause serious internal chemical burns if swallowed.
- Non-rechargeable batteries are not to be recharged.
- Do not force discharge, recharge, disassemble, heat above 132°F (60°C) or incinerate. Doing so may result in injury due to venting, leakage or explosion resulting in chemical burns.
- Ensure the batteries are installed correctly according to polarity (+ and -).
- Do not mix old and new batteries, different brands or types of batteries, such as alkaline, carbon-zinc, or rechargeable batteries.
- Remove and immediately recycle or dispose of batteries from equipment not used for an extended period of time according to local regulations.
- Always completely secure the battery compartment. If the battery compartment does not close securely, stop using the product, remove the batteries, and keep them away from children.

Dongguan Huima Synthetic Electronics Co.,Ltd
Model number: HM-LY-2.4G

This device complies with Part 15 of the FCC Rules. Operation is subject to the following two conditions:

(1) This device may not cause harmful interference, and (2) this device must accept any interference received, including interference that may cause undesired operation.

Caution: changes or modifications not expressly approved by the party responsible for compliance could void the user's authority to operate the equipment.

NOTE: This equipment has been tested and found to comply with the limits for a Class B digital device, pursuant to Part 15 of the FCC Rules. These limits are designed to provide reasonable protection against harmful interference in a residential installation. This equipment generates, uses and can radiate radio frequency energy and, if not installed and used in accordance with the instructions, may cause harmful interference to radio communications. However, there is no guarantee that interference will not occur in a particular installation. If this equipment does cause harmful interference to radio or television reception, which can be determined by turning the equipment off and on, the user is encouraged to try to correct the interference by one or more of the following measures:

- Reorient or relocate the receiving antenna.
- Increase the separation between the equipment and receiver.
- Connect the equipment into an outlet on a circuit different from that to which the receiver is connected.
- Consult the dealer or an experienced radio/TV technician for help.

Thanks Gracias!