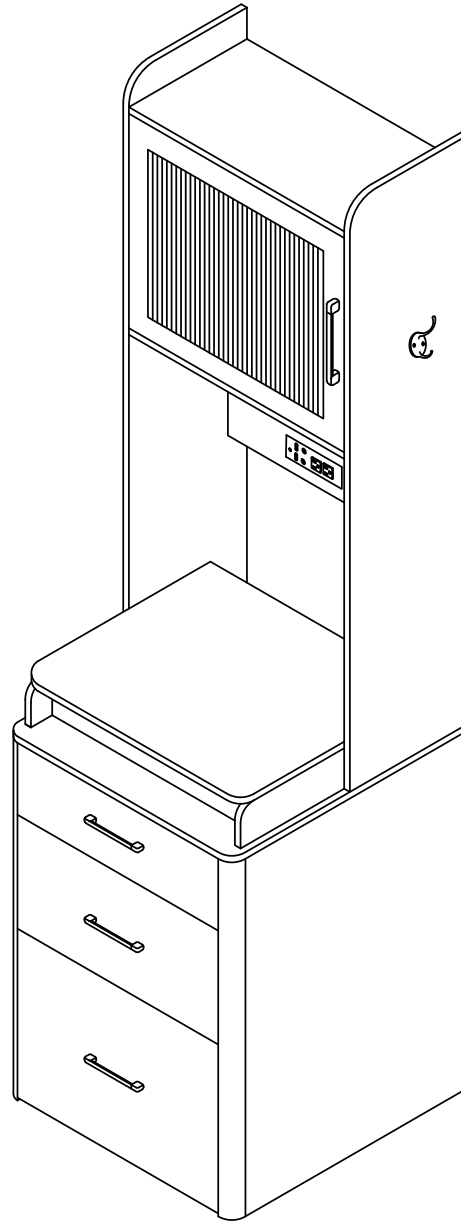
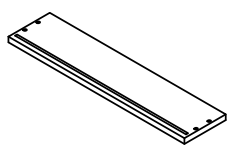
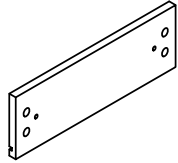


Product Installation Instructions

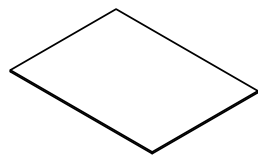




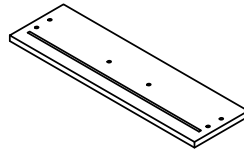
①x1



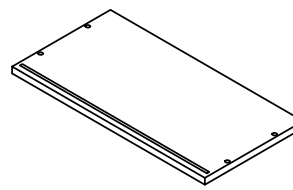
②x2



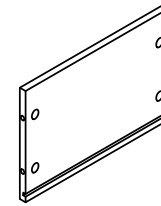
③x1



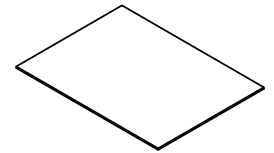
④x1



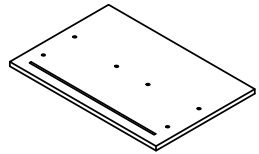
⑤x1



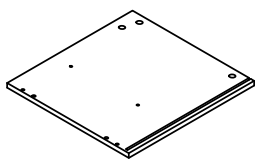
⑥x2



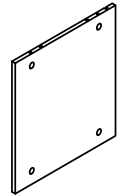
⑦x1



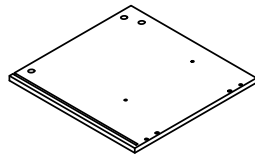
⑧x1



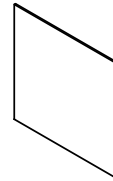
⑨x1



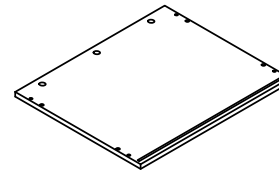
⑩x1



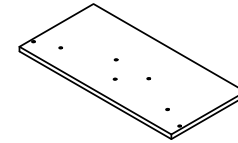
⑪x1



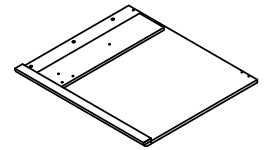
⑫x1



⑬x1



⑭x1



⑮x1



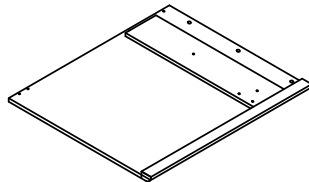
⑯x1



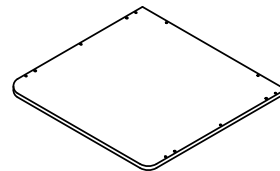
⑰x1



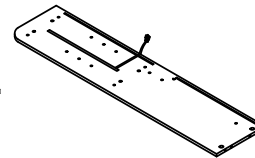
⑱x1



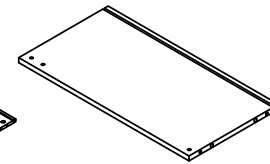
⑲x1



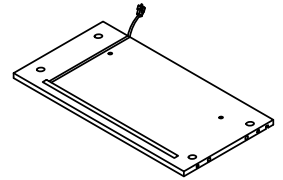
⑳x1



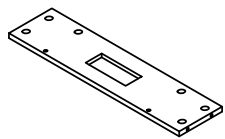
㉑x1



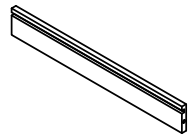
㉒x1



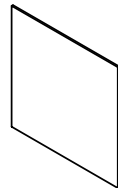
㉓x1



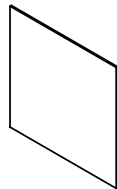
㉔x1



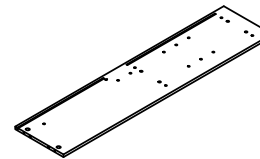
㉕x1



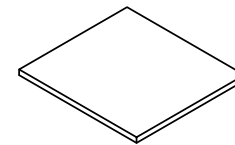
㉖x1



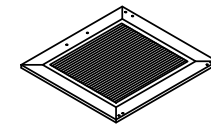
㉗x1



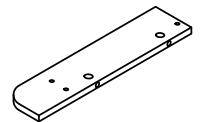
㉘x1



㉙x1



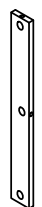
㉚x1



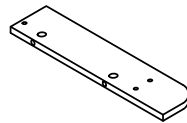
㉛x1



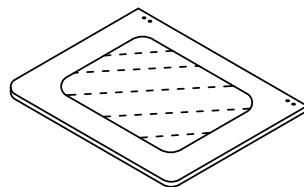
㉜x1



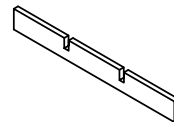
㉝x1



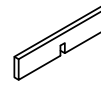
㉞x1



㉟x1



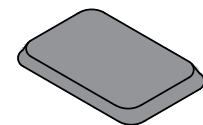
㊱x1



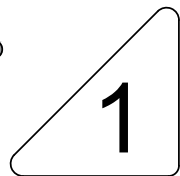
㊲x2

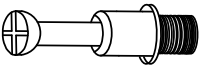
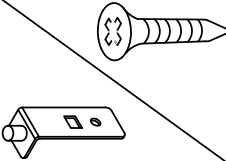

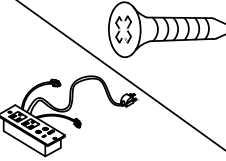
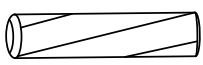

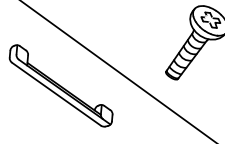
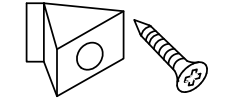
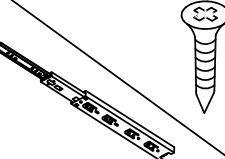
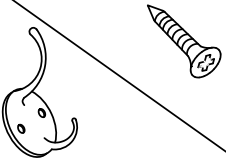
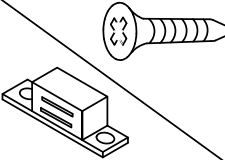
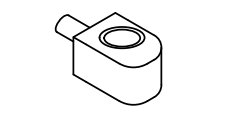
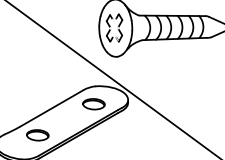
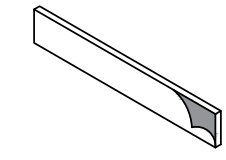
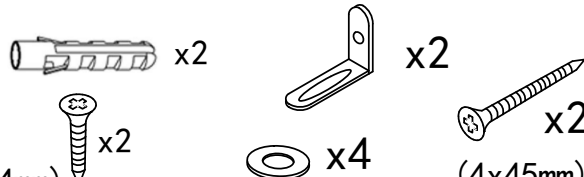



㊳x1

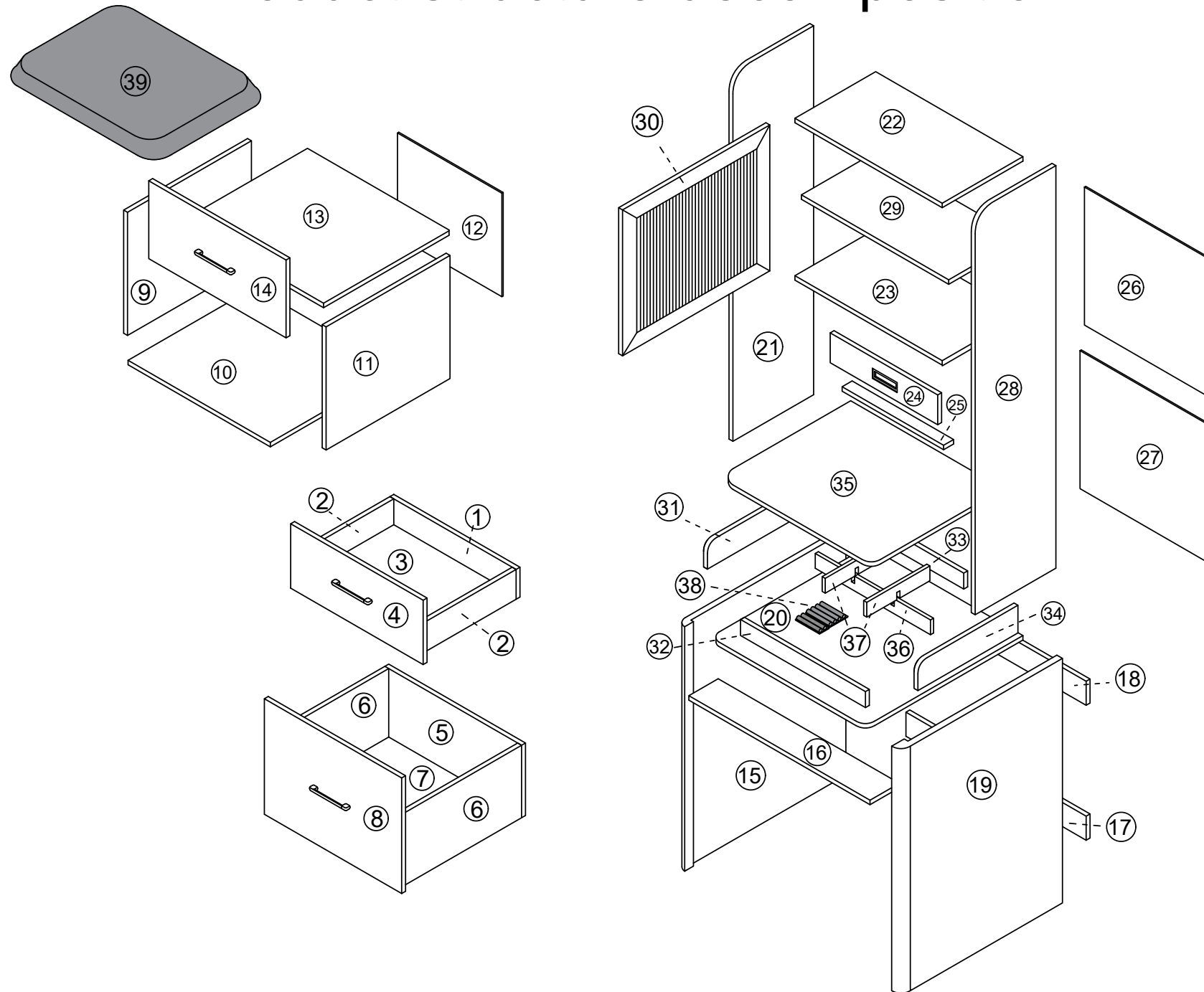


㊴x1

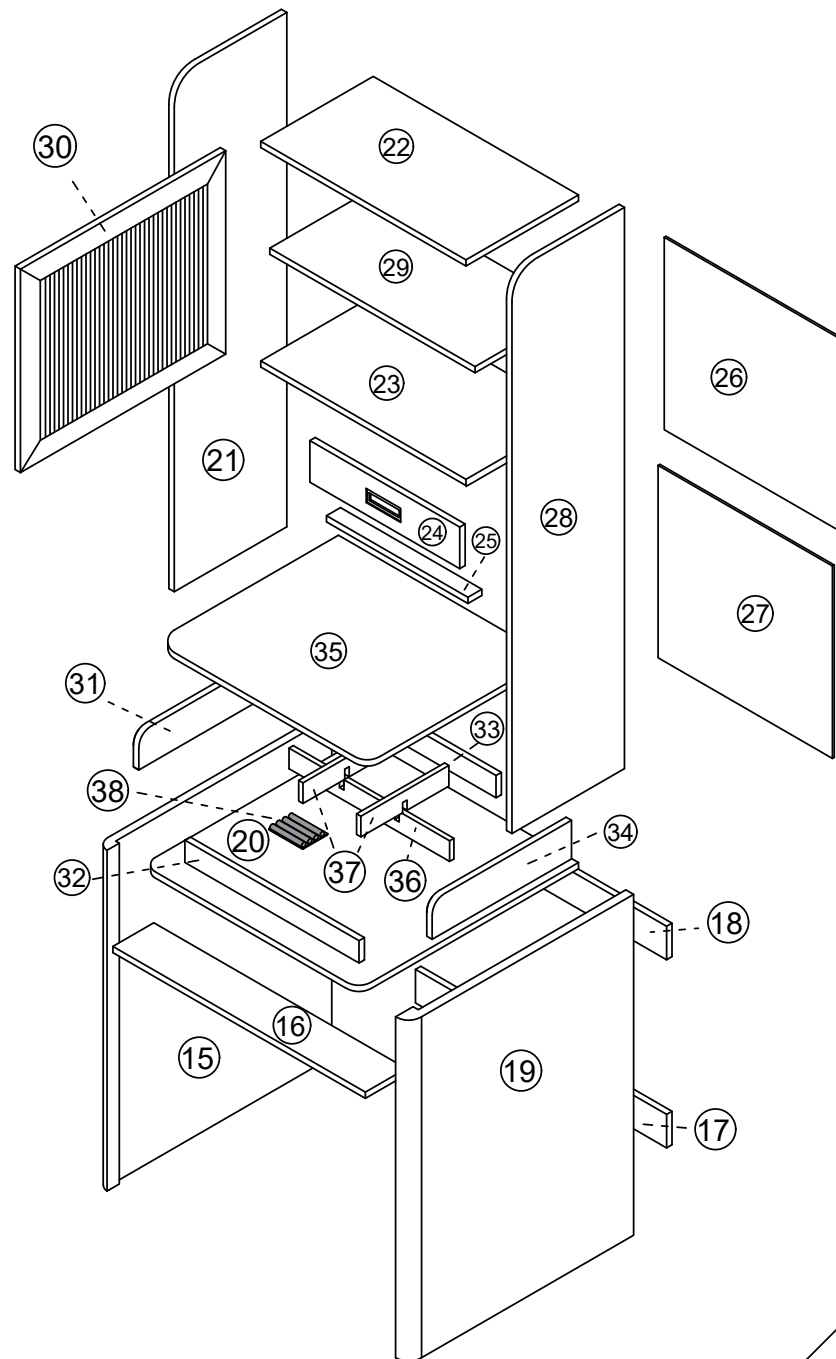
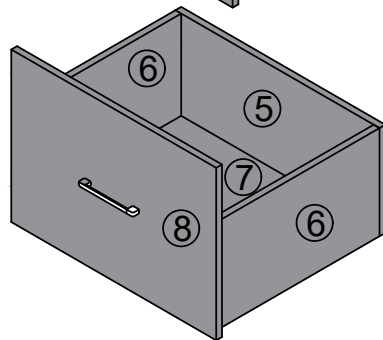
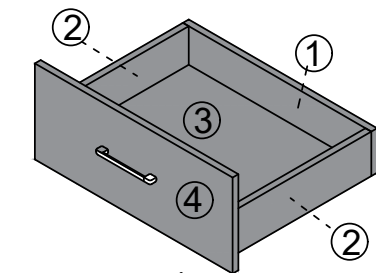
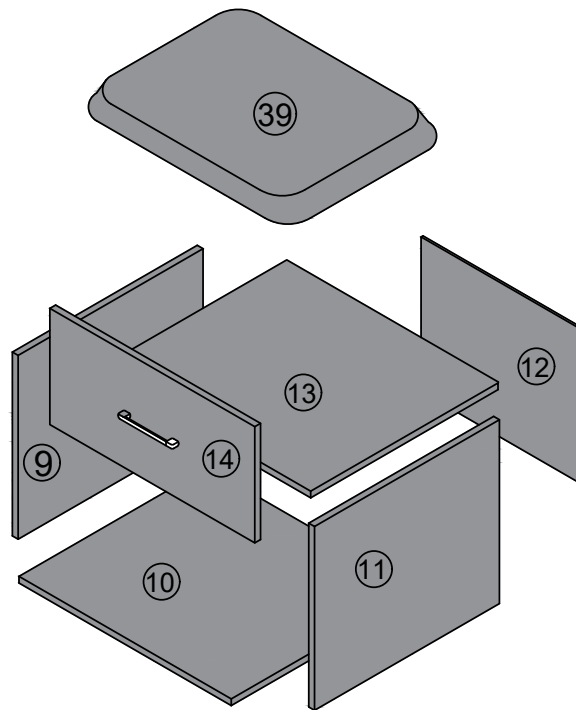


A		Two in one screw (6x28mm)	83pcs +6pcs	H		Cabinet door hinge & screw (3x12mm)	8pcs +2pcs 4pcs	
B		Two in one nut (10x12mm)	83pcs +6pcs	I		Power socket & screw (3x10mm)	2pcs +1pcs 1pcs	
C		Wood chipping (6x30mm)	24pcs +4pcs	J		Non-slip pads	11pcs +3pcs	
D		Handle & screw (4x16mm)	8pcs +2pcs 4pcs	K		Fixing clip & screw (3x16mm)	12pcs +2pcs	
E		Guide & screw (3x12mm)	20pcs +4pcs 4pcs	L		Hook & screw (3x12mm)	4pcs +1pcs 2pcs	
F		Magnetic attraction & screw (3.5x12mm)	2pcs +1pcs 1pcs	M		Laminate support nail	4pcs +1pcs	
G		Iron sheet & screw (3x10mm)	2pcs +1pcs 1pcs	N		Double sided tape	2pcs	
Anti Fall Hardware 			 1pcs Double-head screwdriver, use as required					<div style="border: 1px solid black; padding: 10px; width: 50px; height: 50px; margin: 0 auto;">2</div>

Product structure decomposition

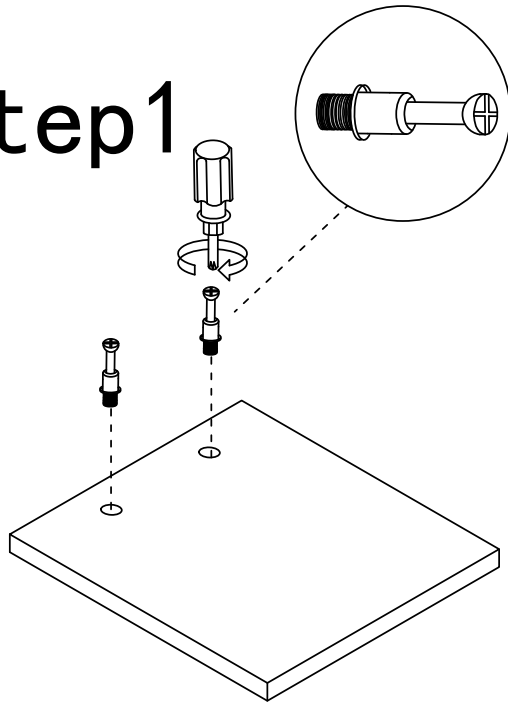


A		29pcs
B		29pcs
C		8pcs
D		6pcs 3pcs
E		14pcs 4pcs
J		4pcs
K		4pcs
N		2pcs

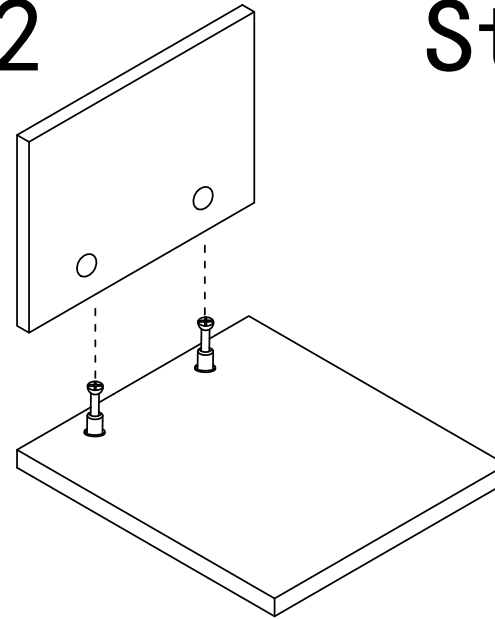


Use parts ① and ②

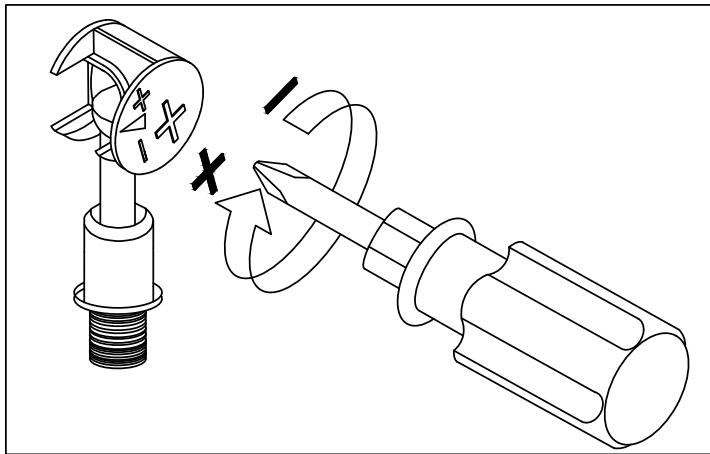
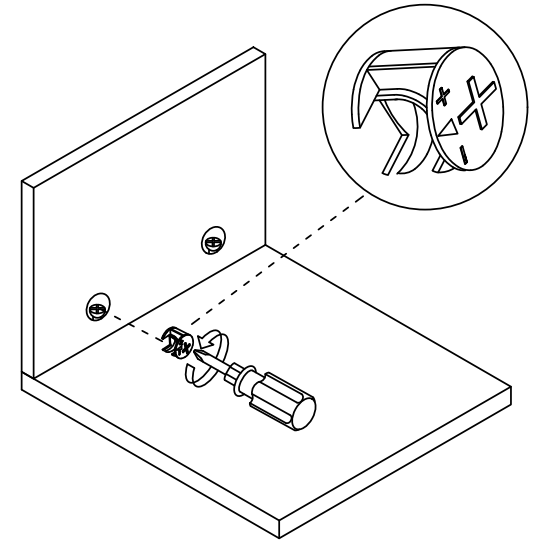
Step 1



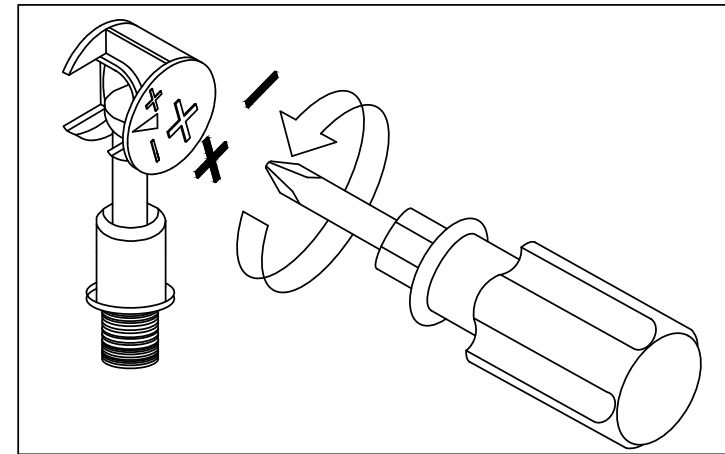
Step 2



Step 3

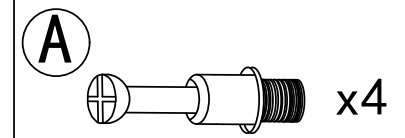
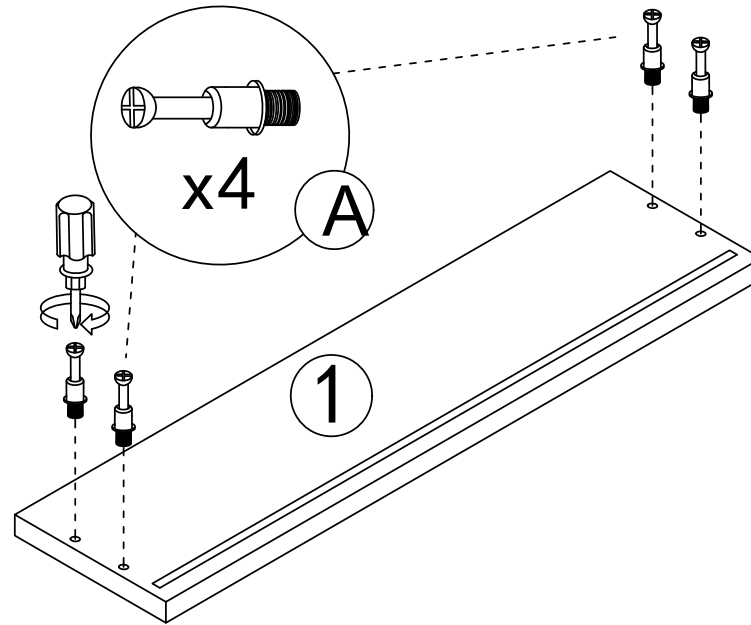


Use a screwdriver to lock in the direction of the "+" sign

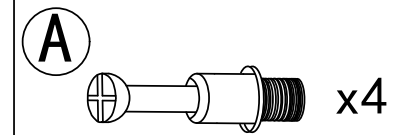
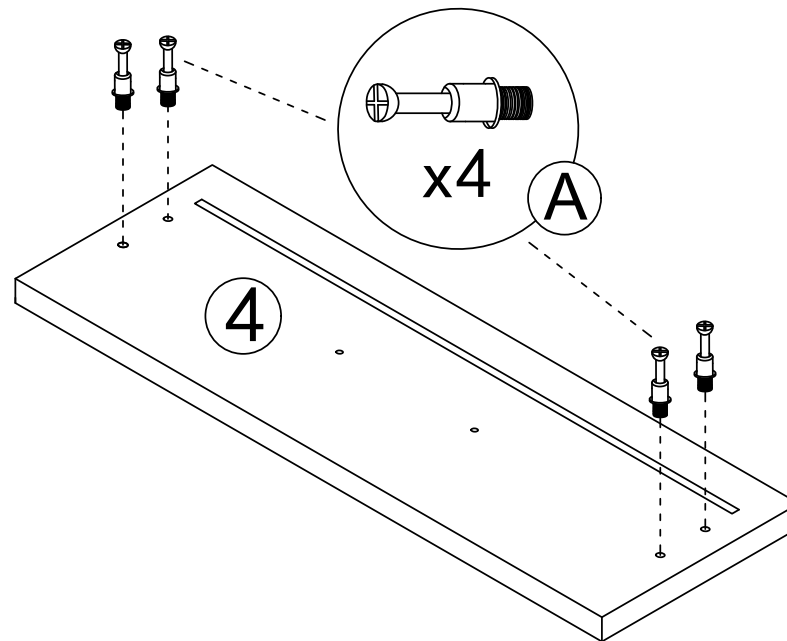


Disassemble along the direction of "-" sign

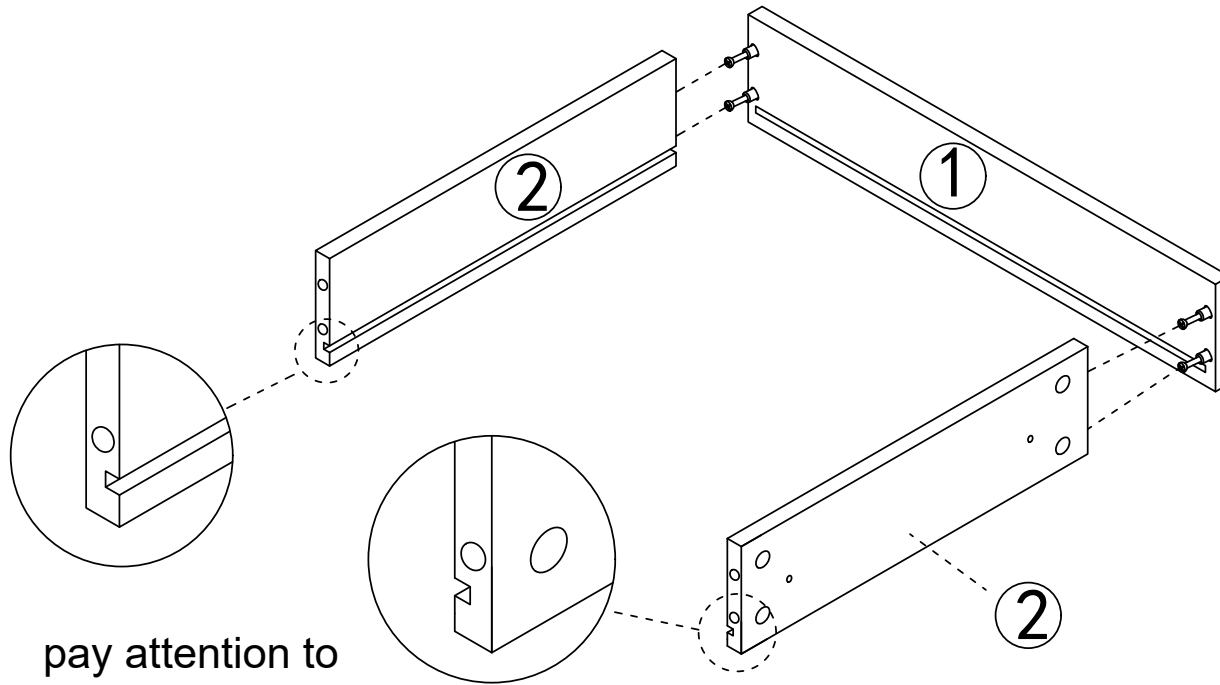
Step 1



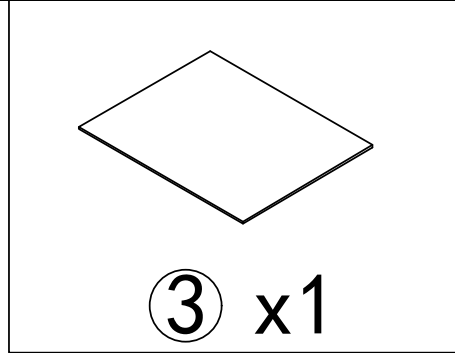
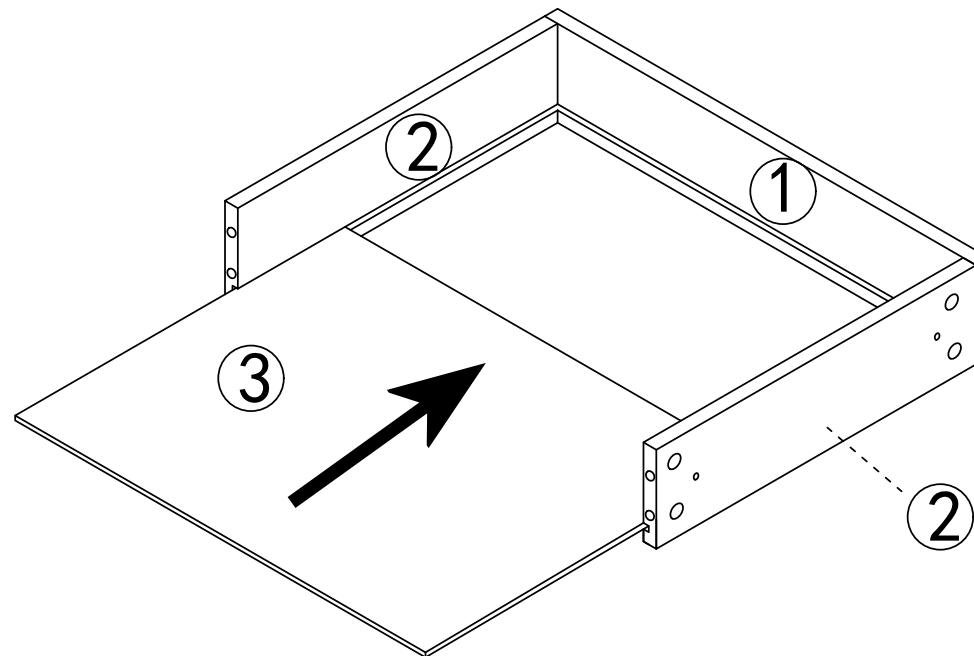
Step 2




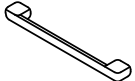

Step 3

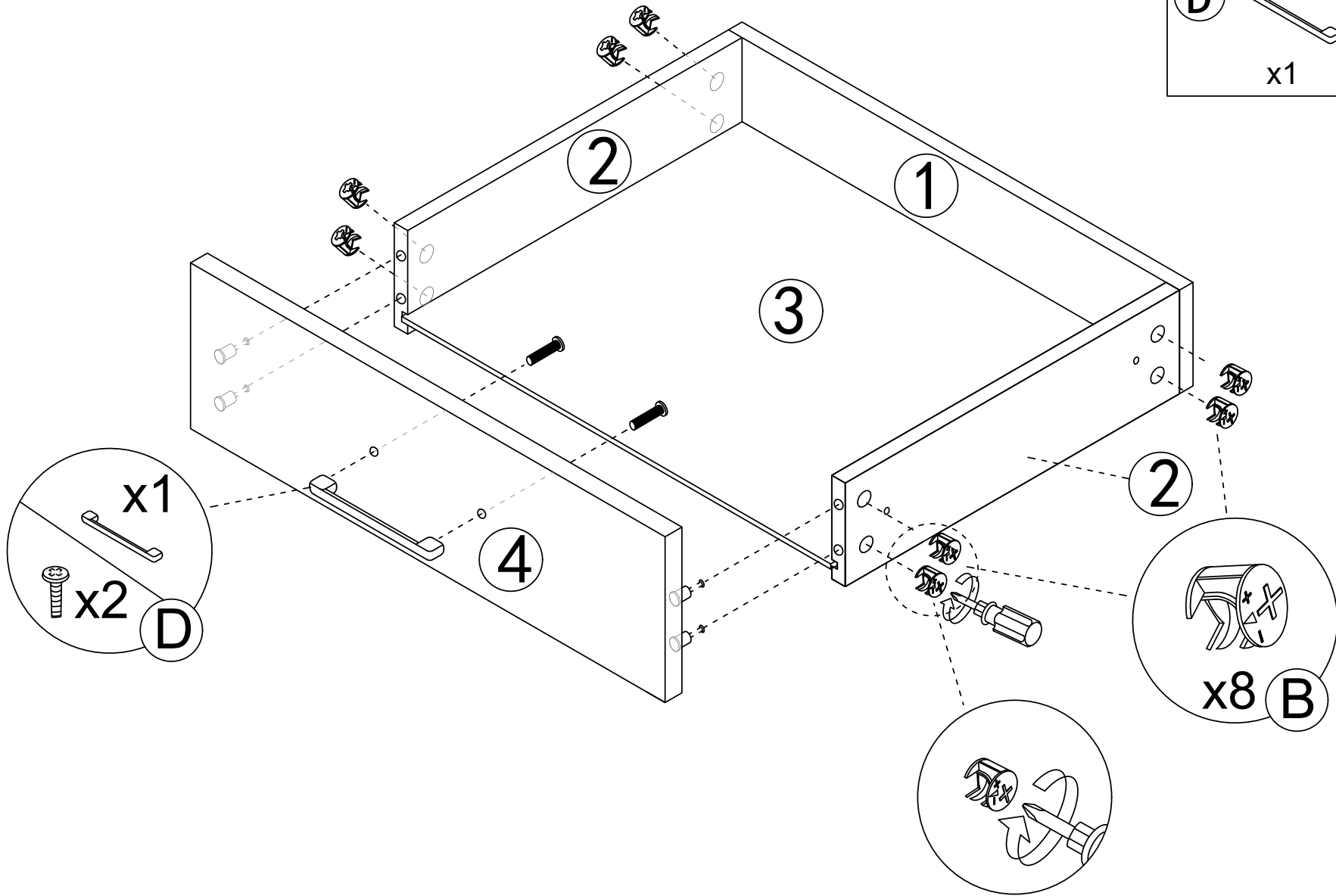


Step 4



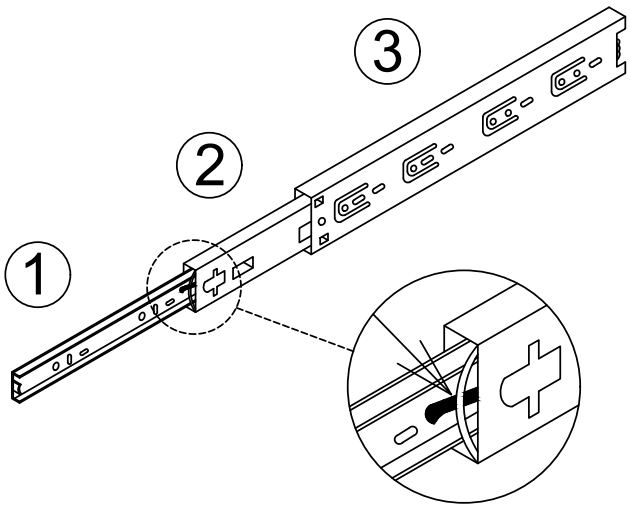
Step 5

B		x8
D		x1
		x2



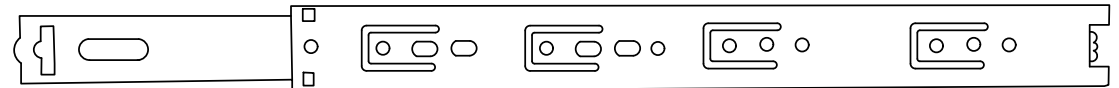
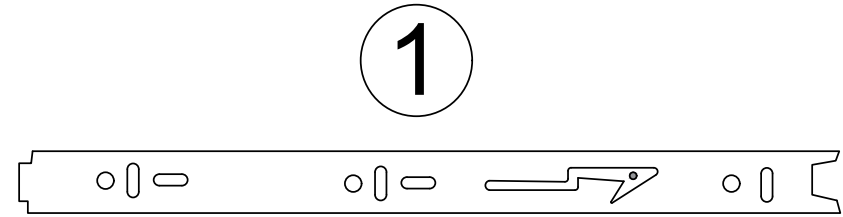
Step 6

Drawer rail breakdown diagram



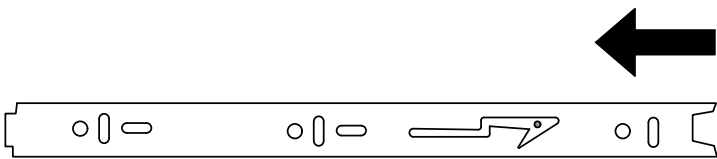
Step 1 : Pull the rails apart

Step 2 : Push the nylon buckle outward ①

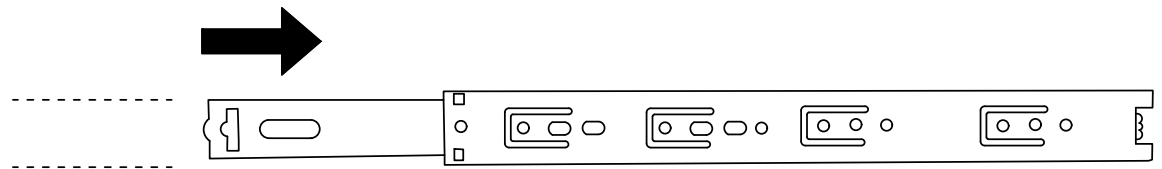


②

③



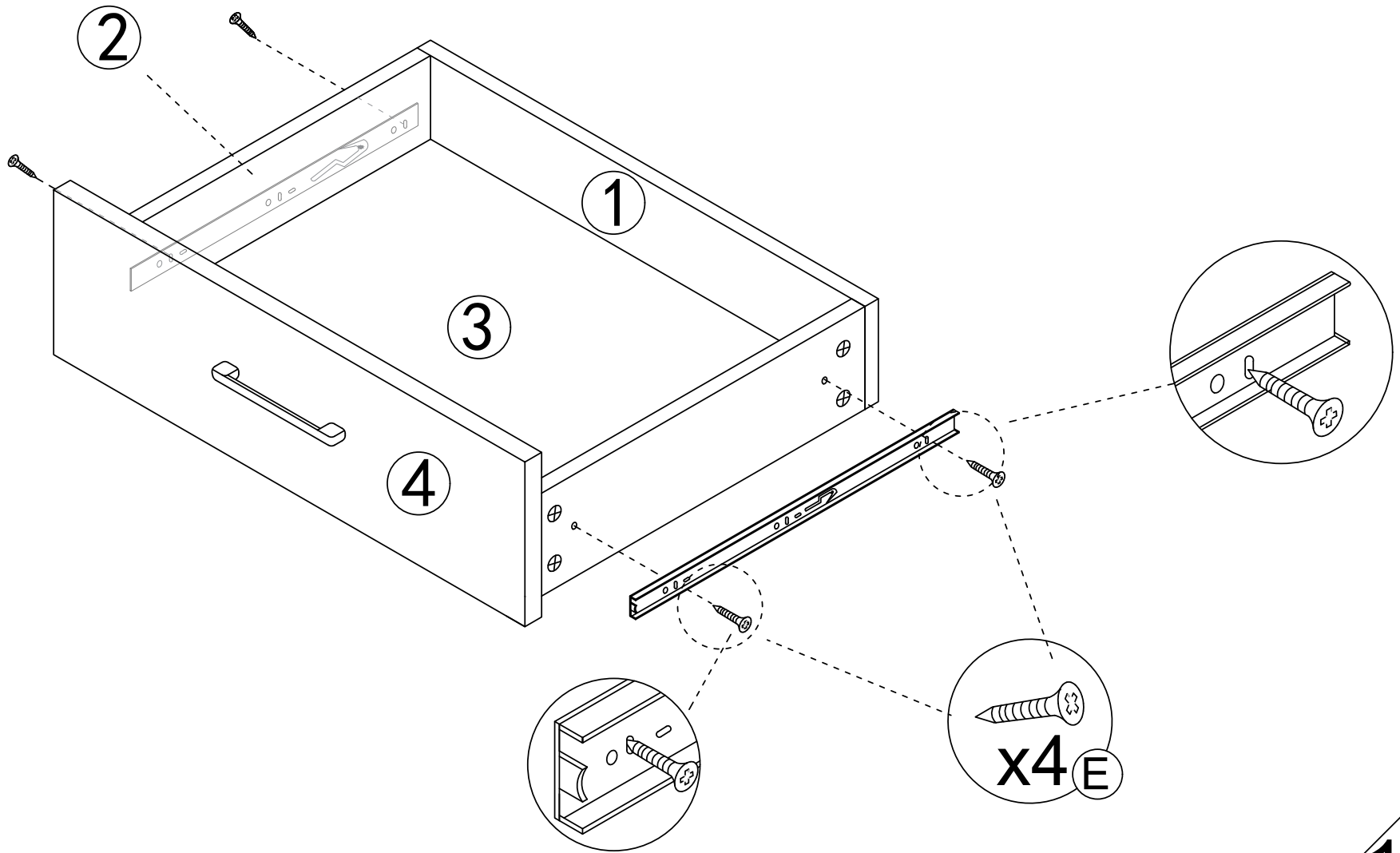
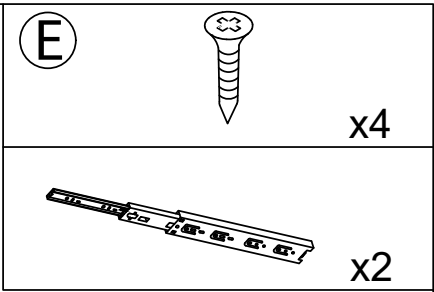
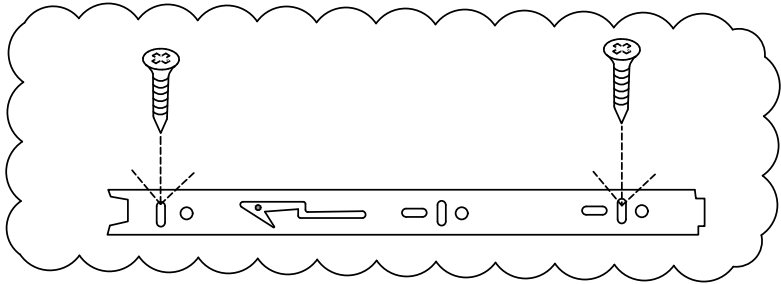
①



②

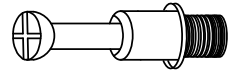
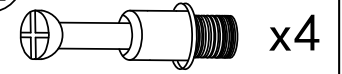
③

Step 7



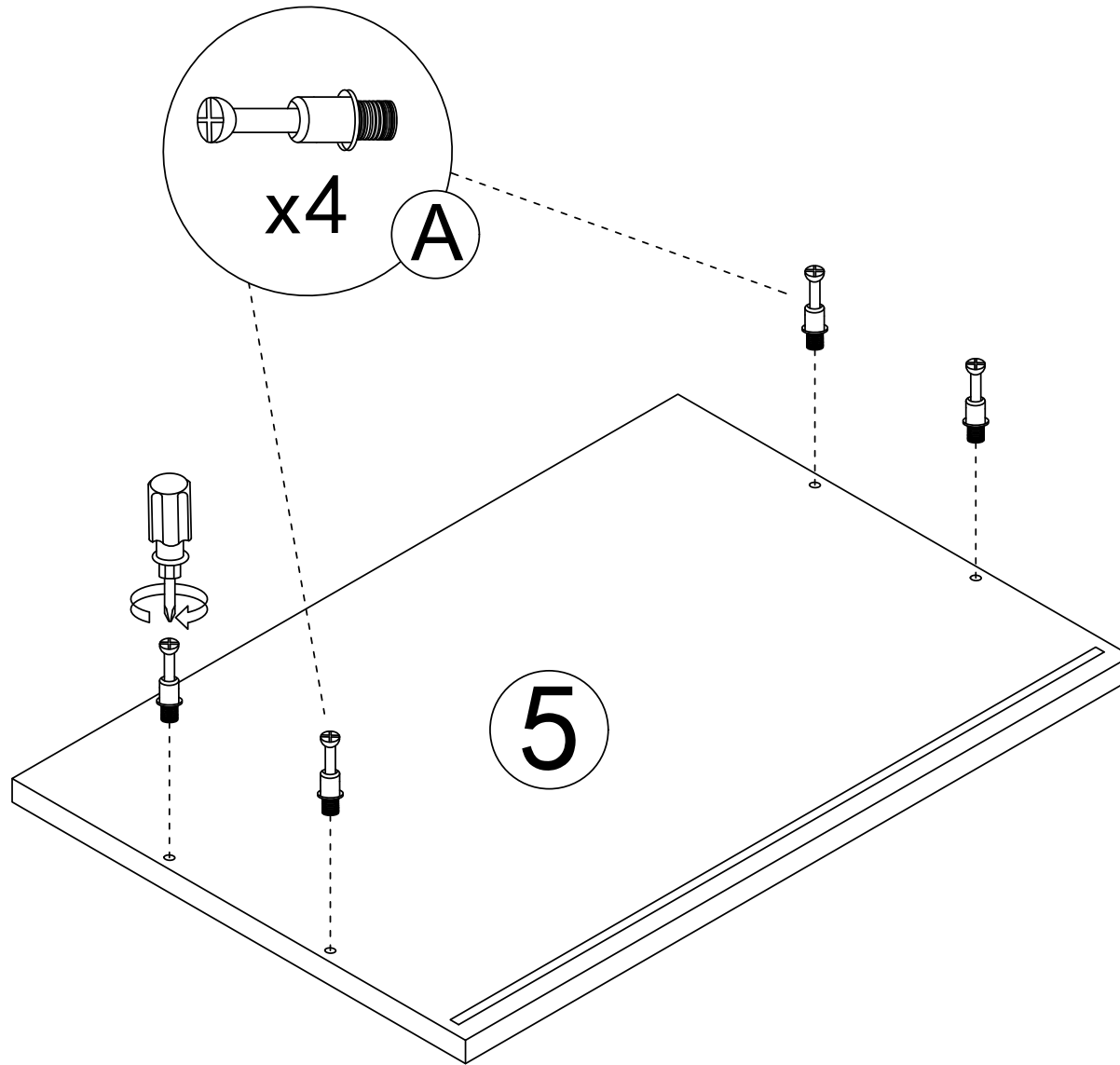
Step 8

A

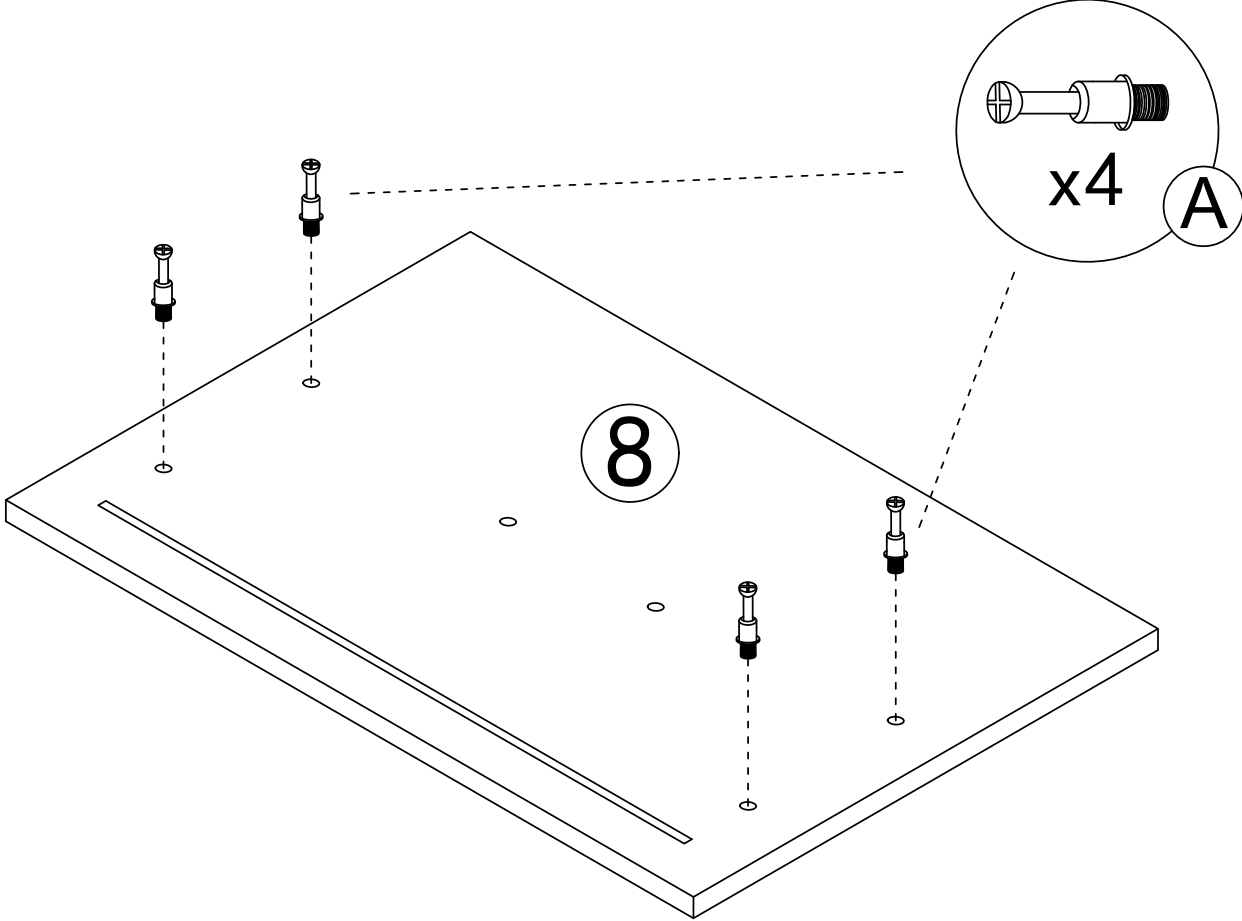
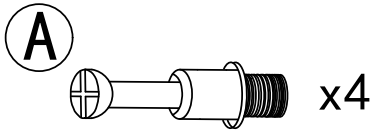


x4

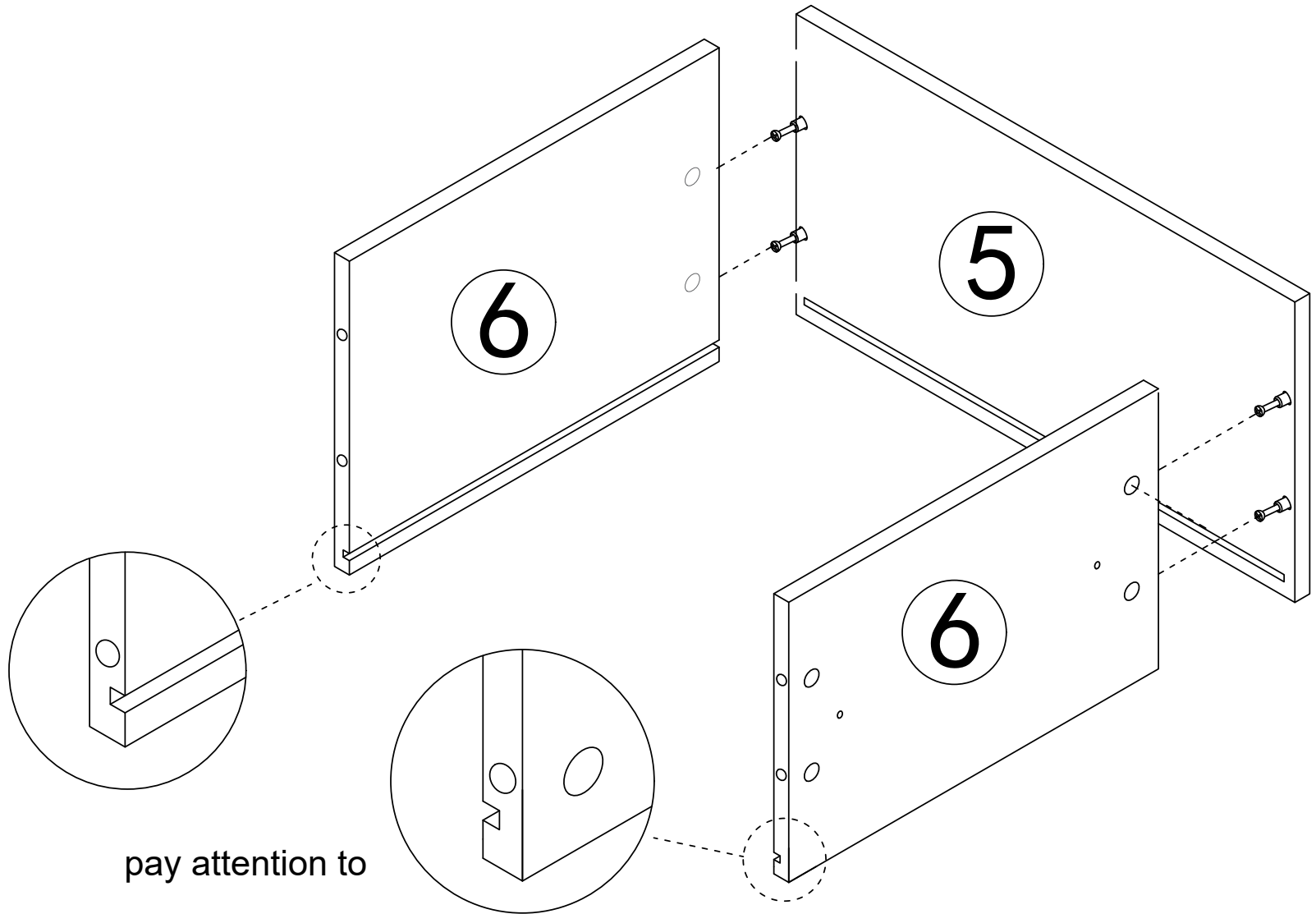
A



Step 9

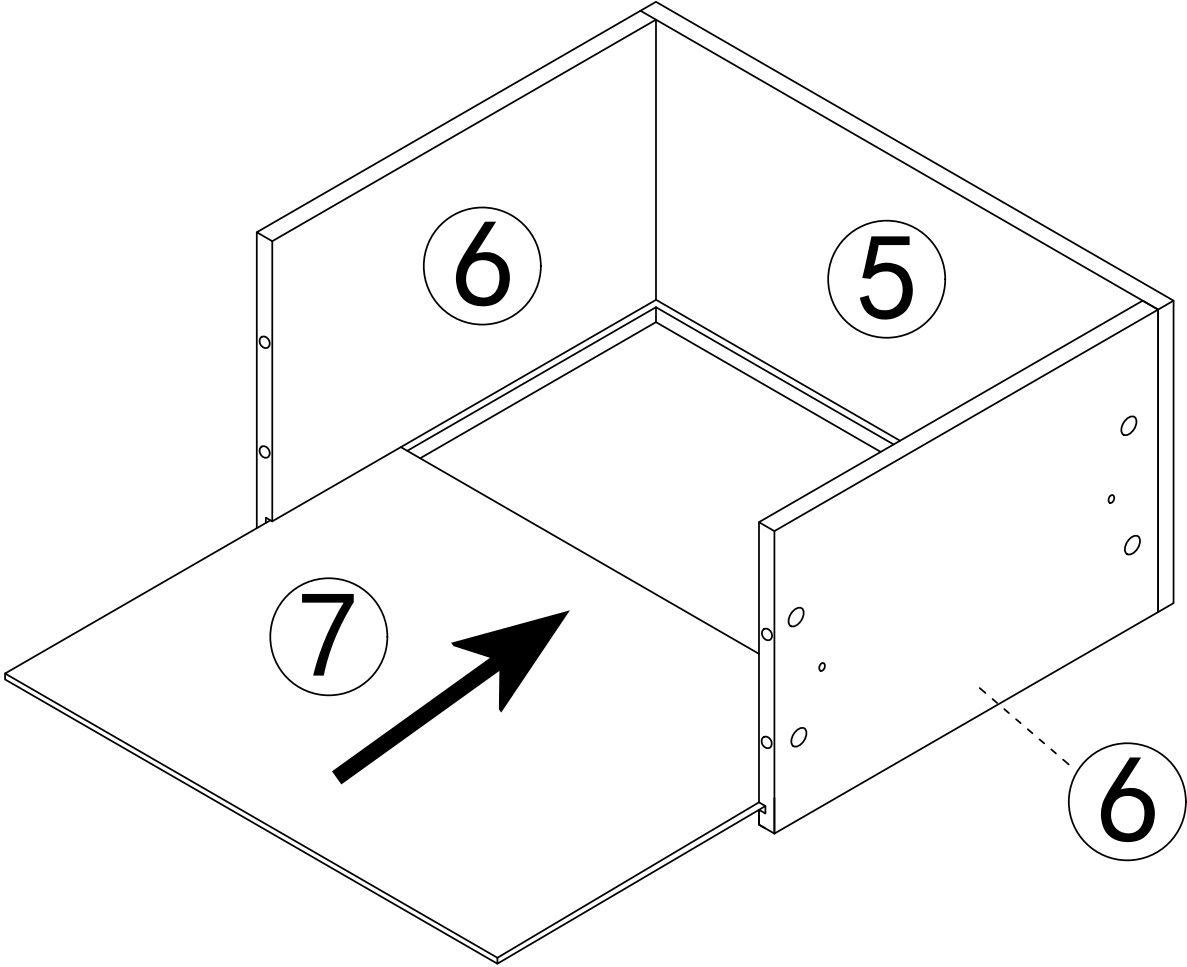
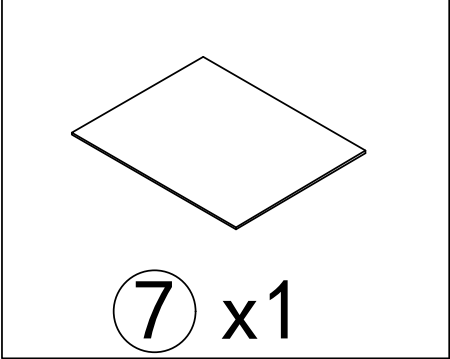


Step 10


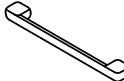



pay attention to

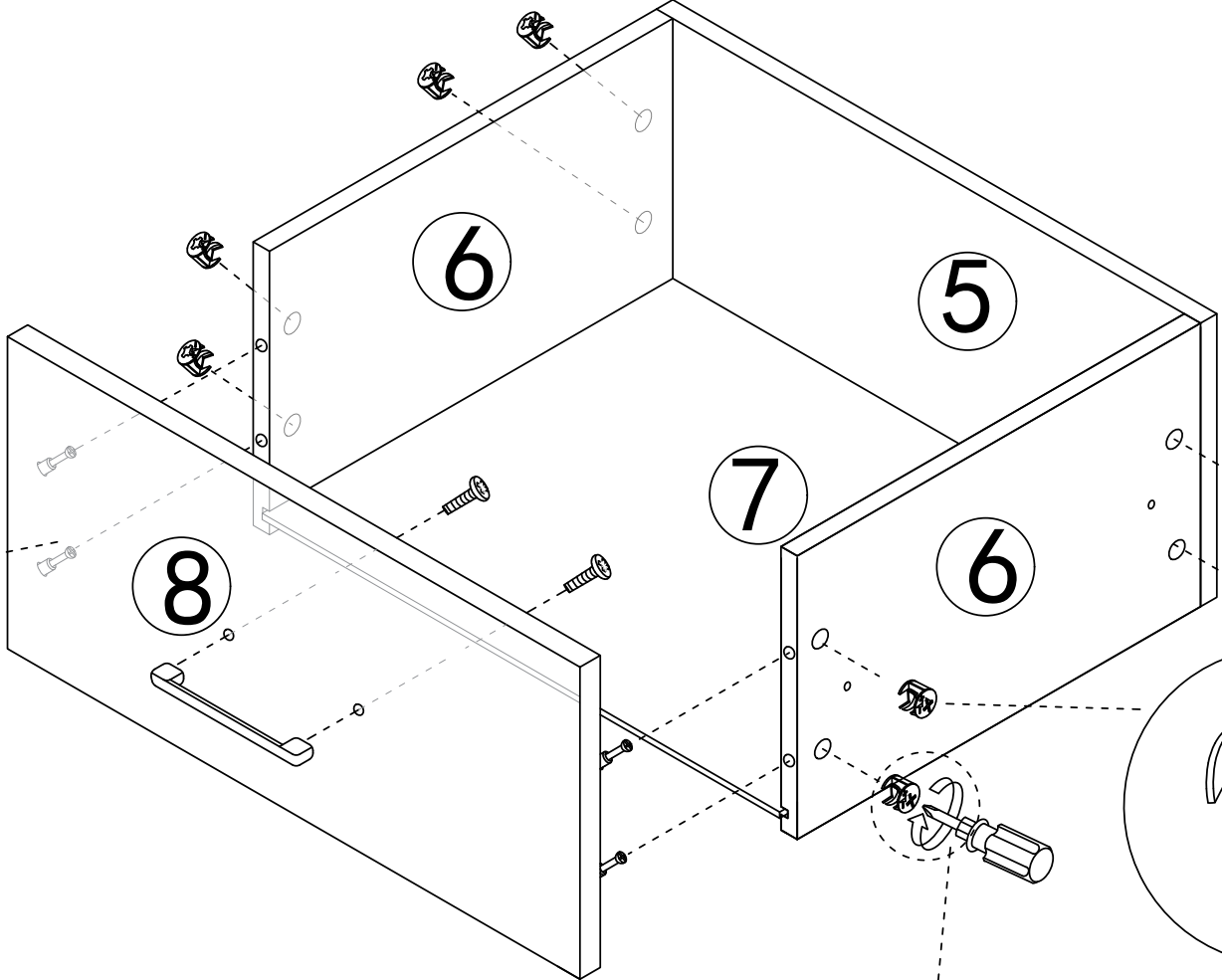
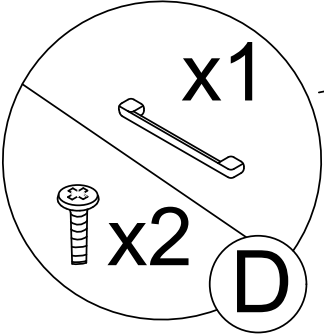
Step 11



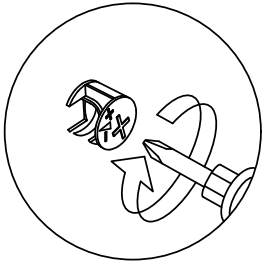
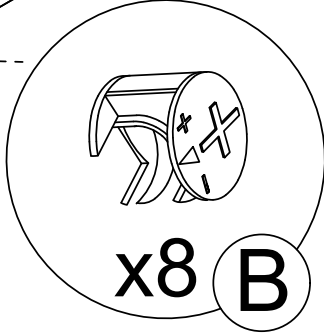
Step 12

B		x8
D		x1
		x2

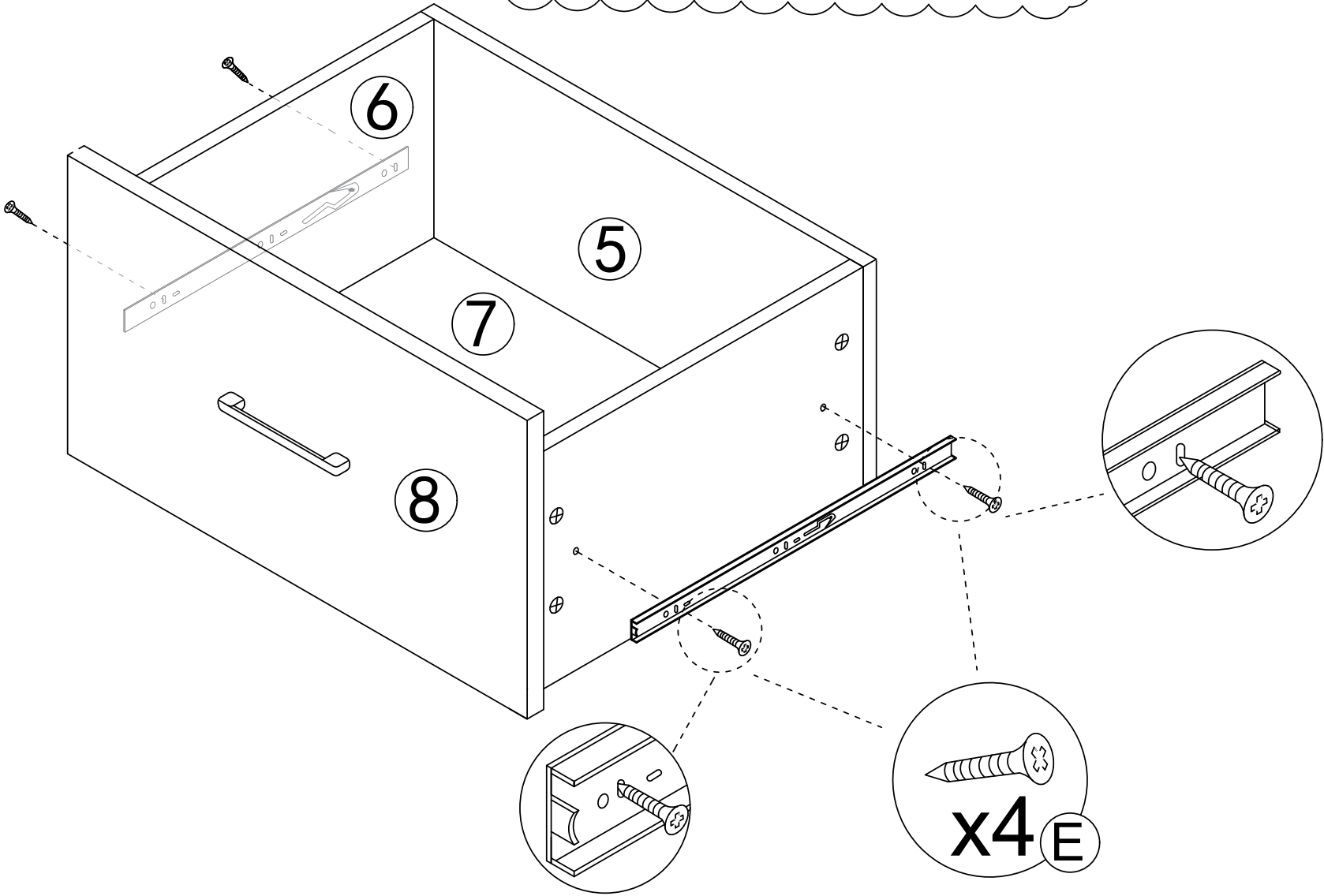
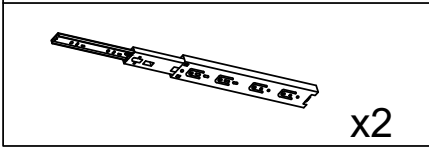
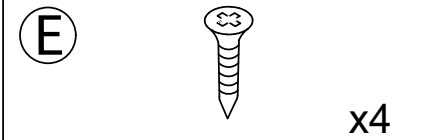
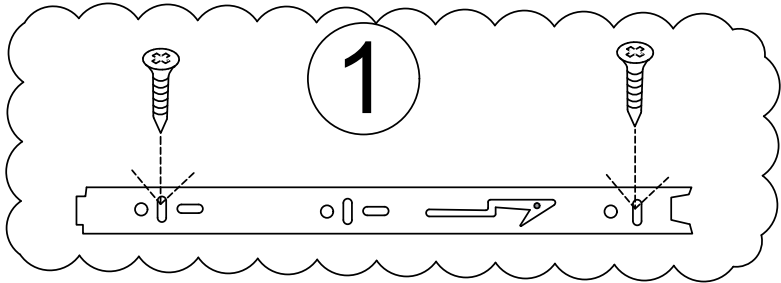
x1
x2
D



x8
B

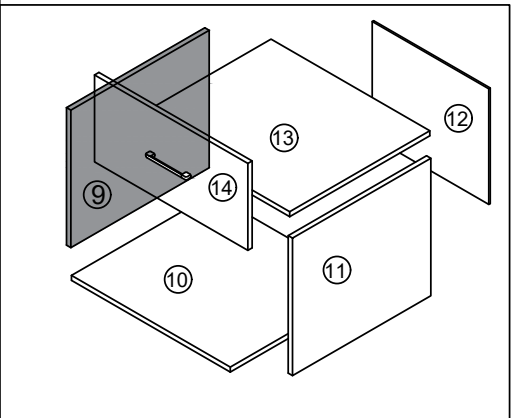
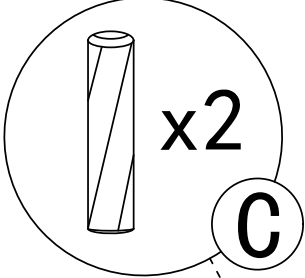
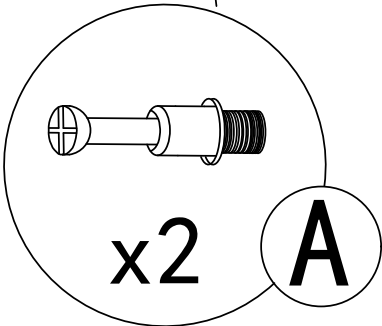
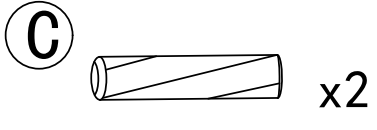
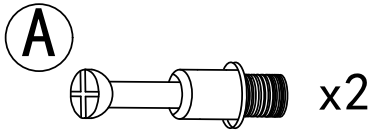
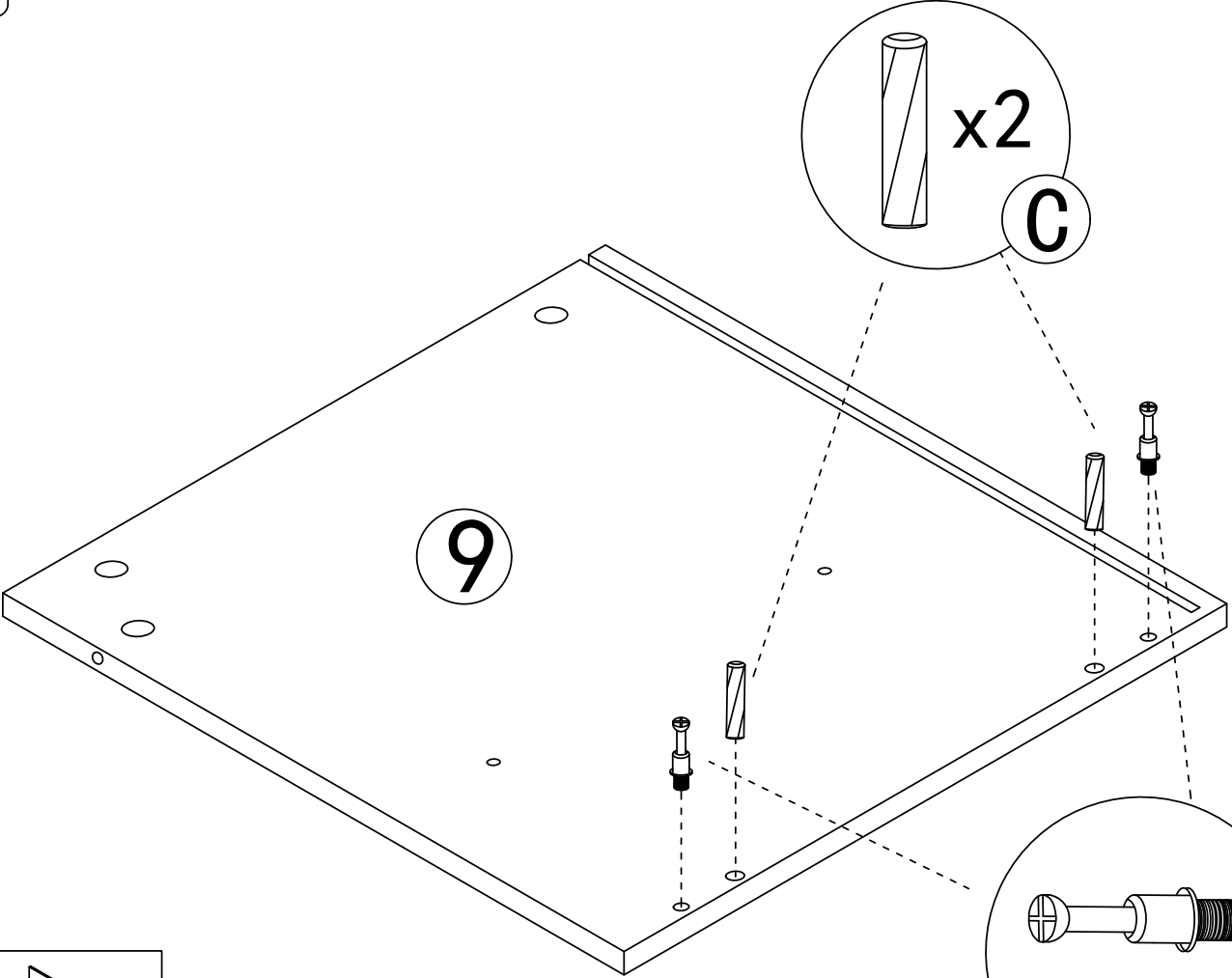


Step 13

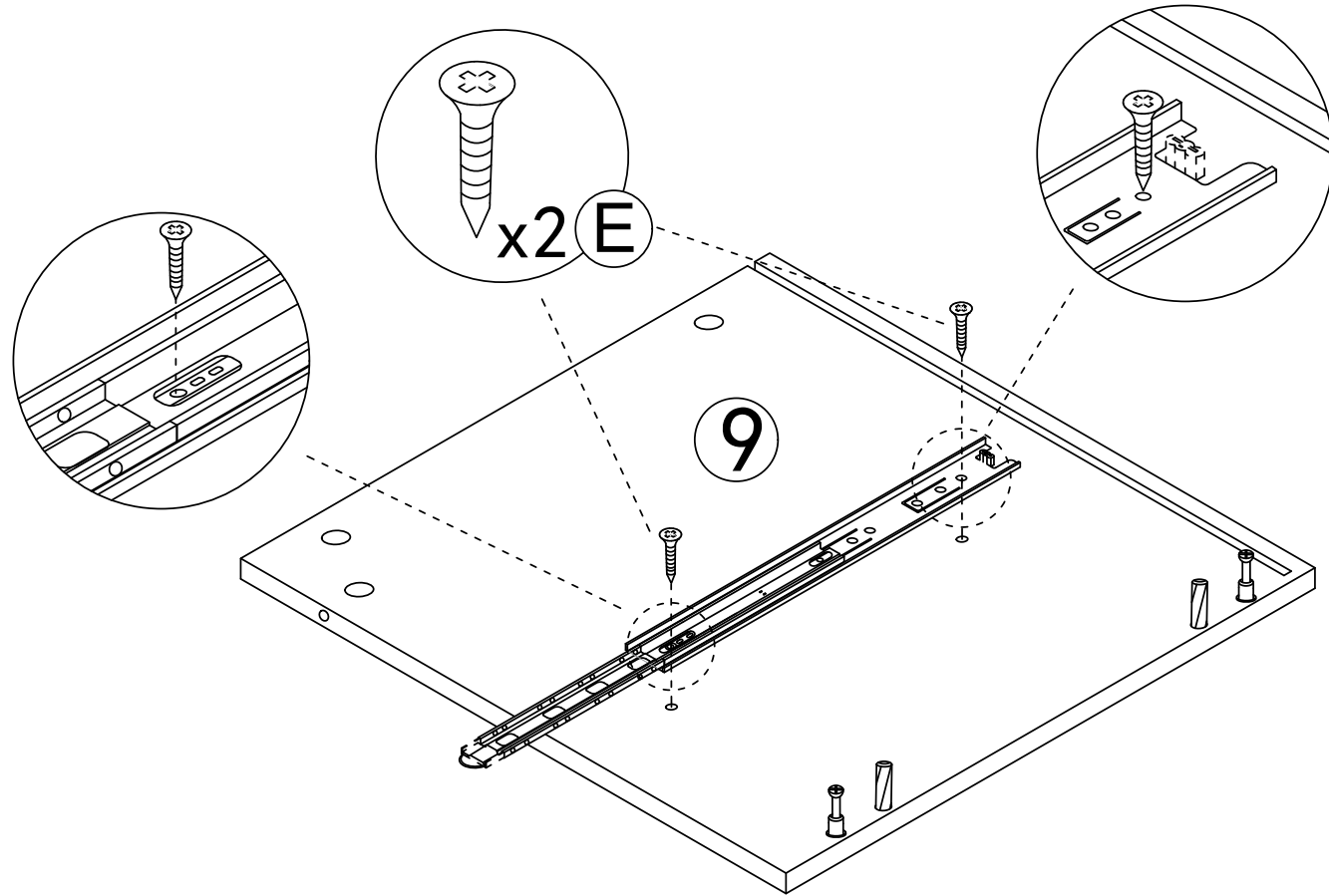
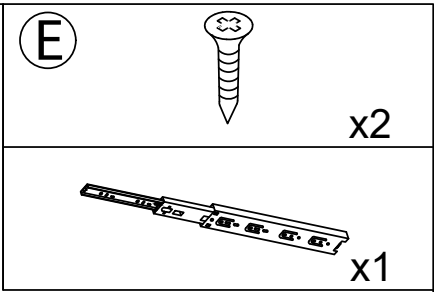
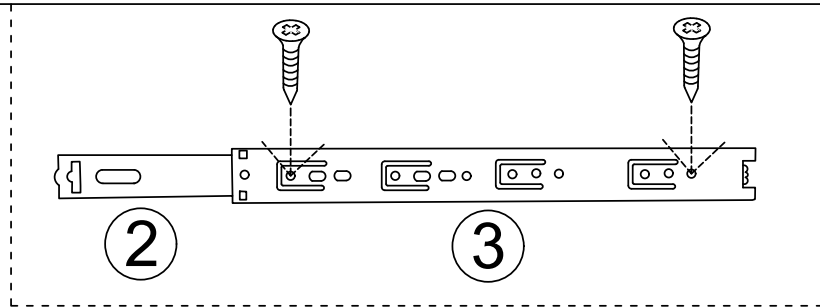


x4 E

Step 14

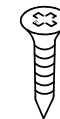


Step 15

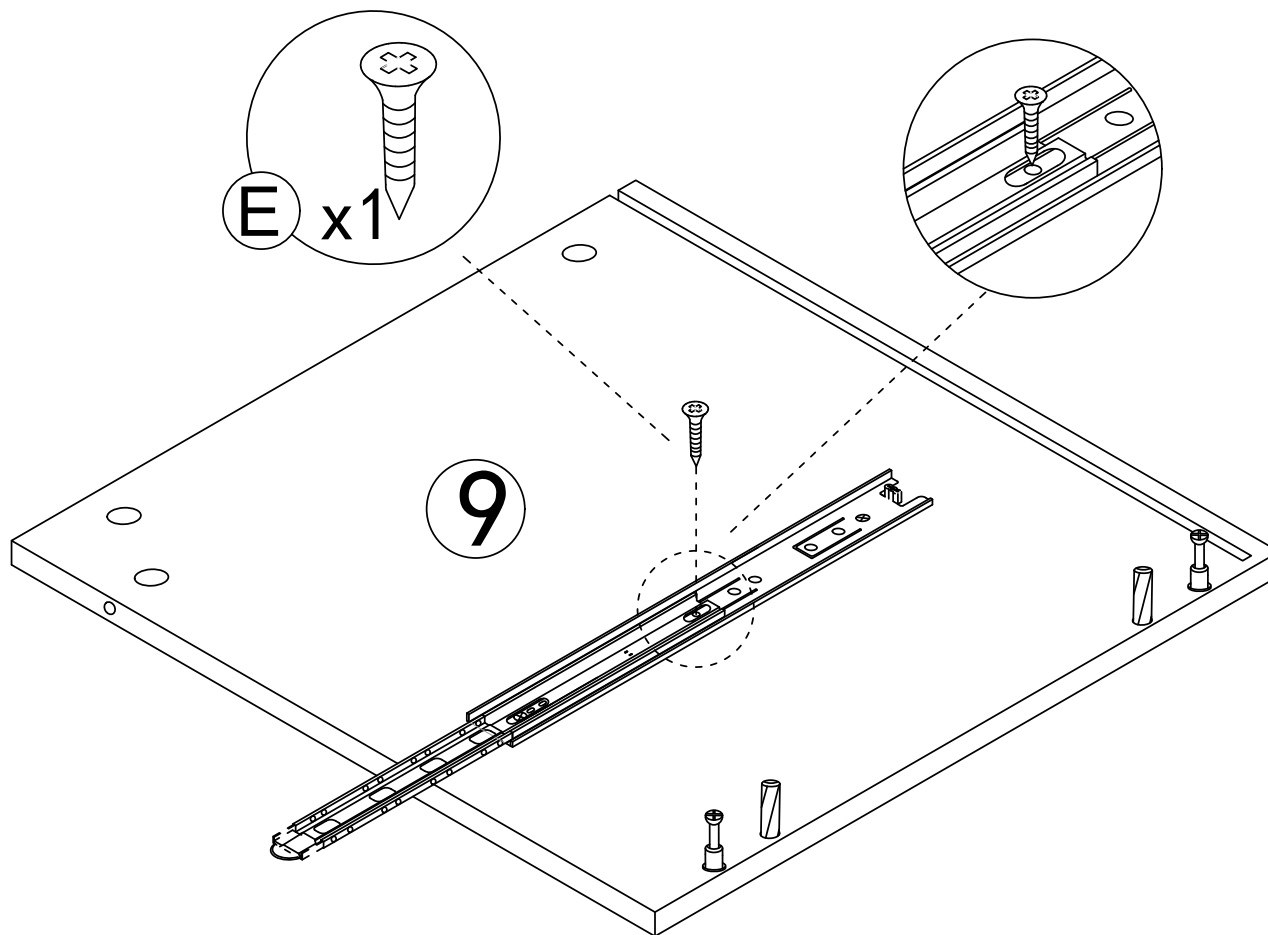


Step 16

E


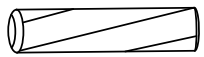


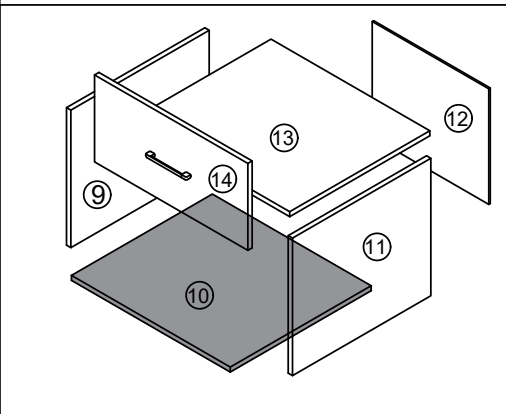
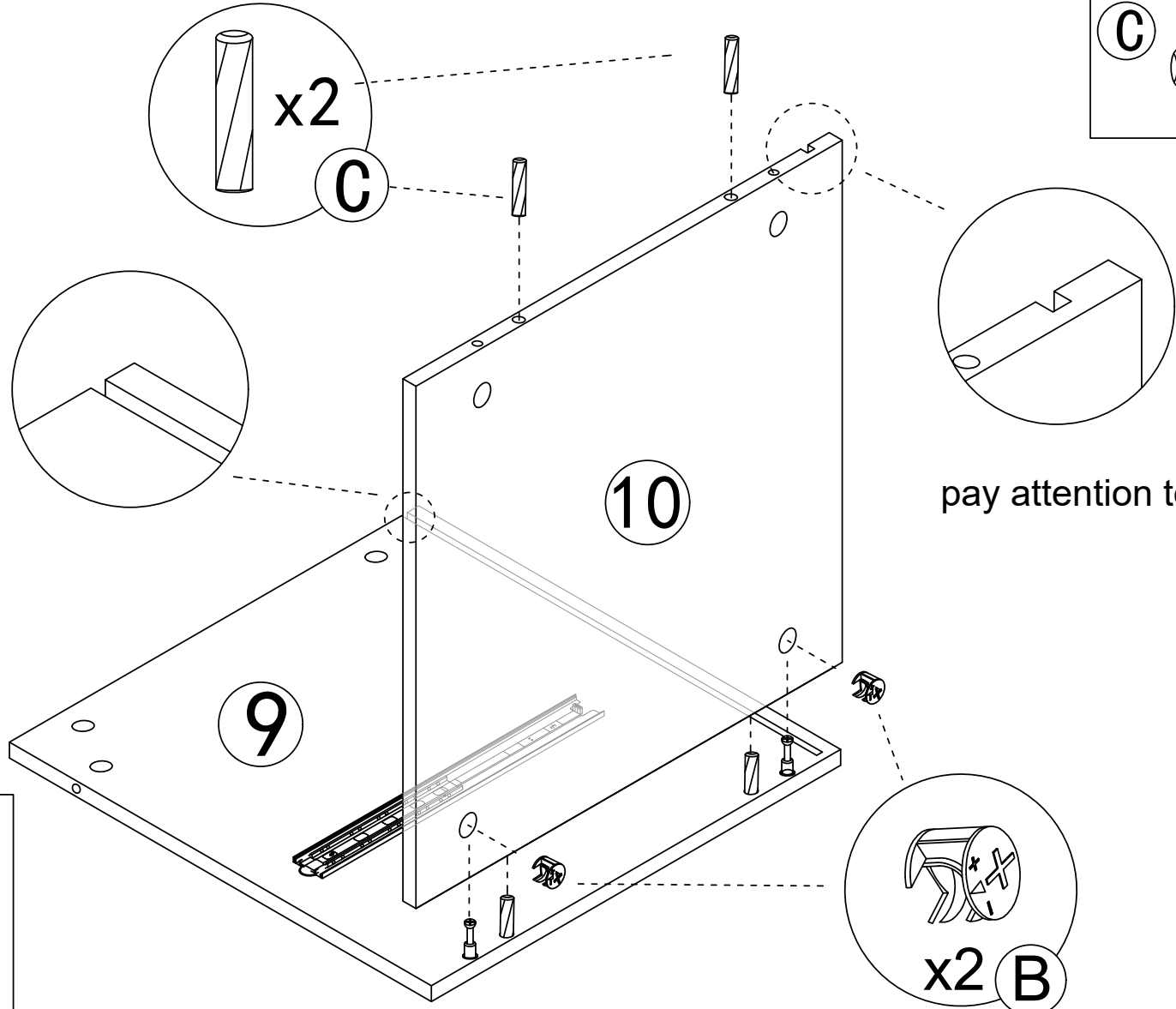
x1



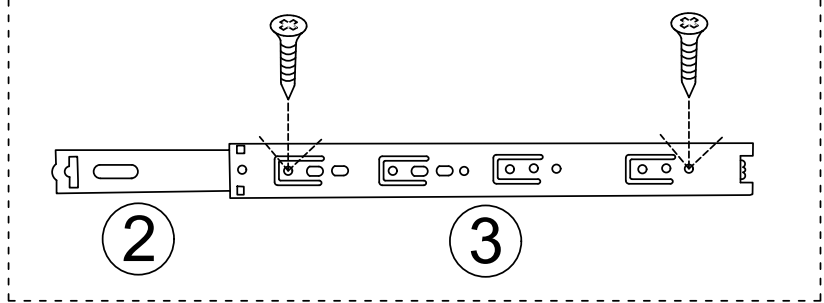
This hole is for strengthening fixed hole customers can choose to install according to their needs.

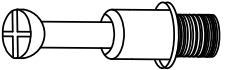
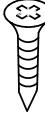
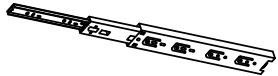
Step 17

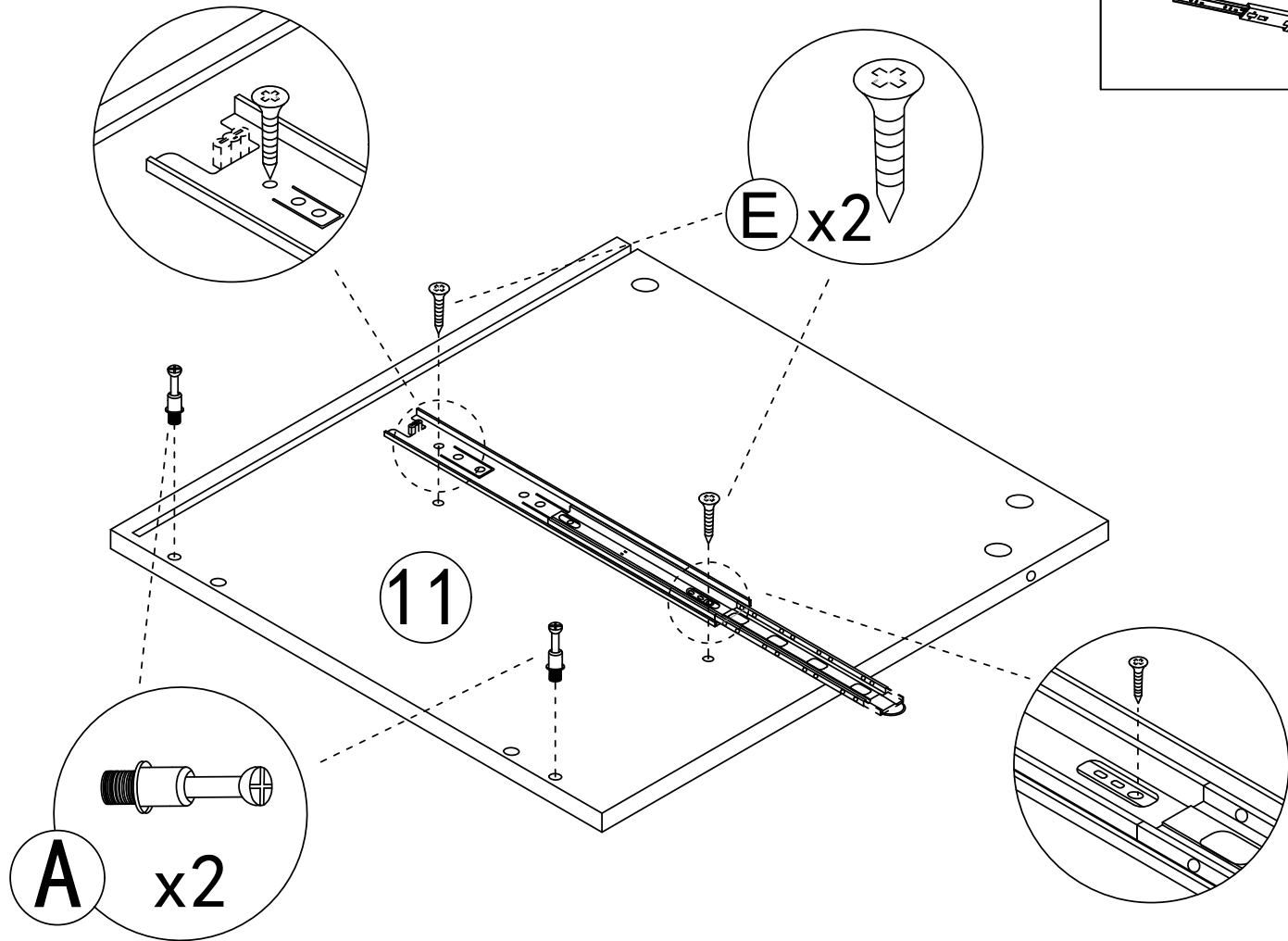
- B**  x2
- C**  x2



Step 18

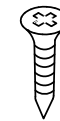


- A  x2
- E  x2
-  x1

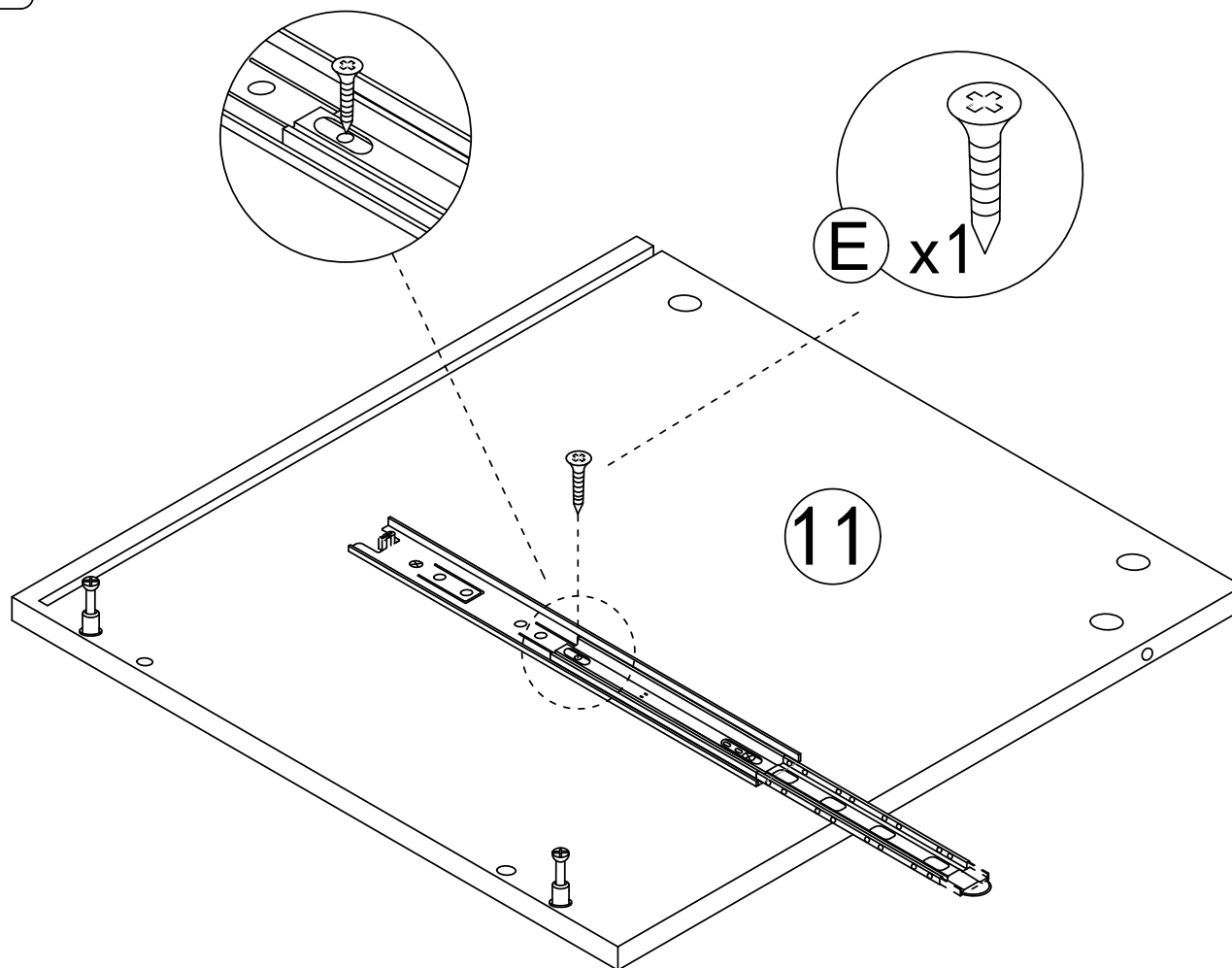


Step 19

E



x1



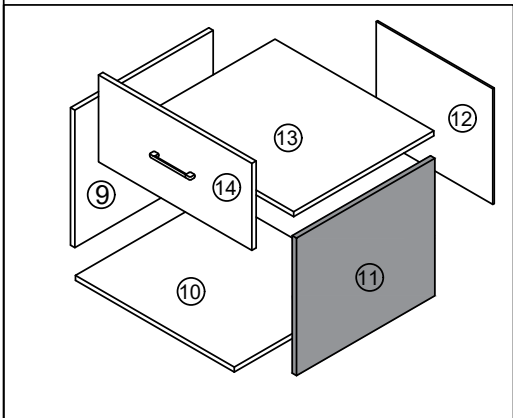
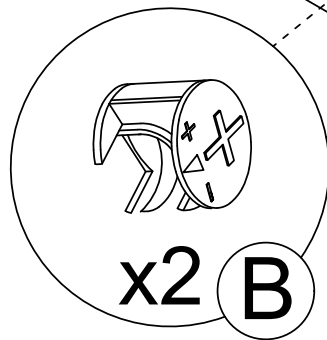
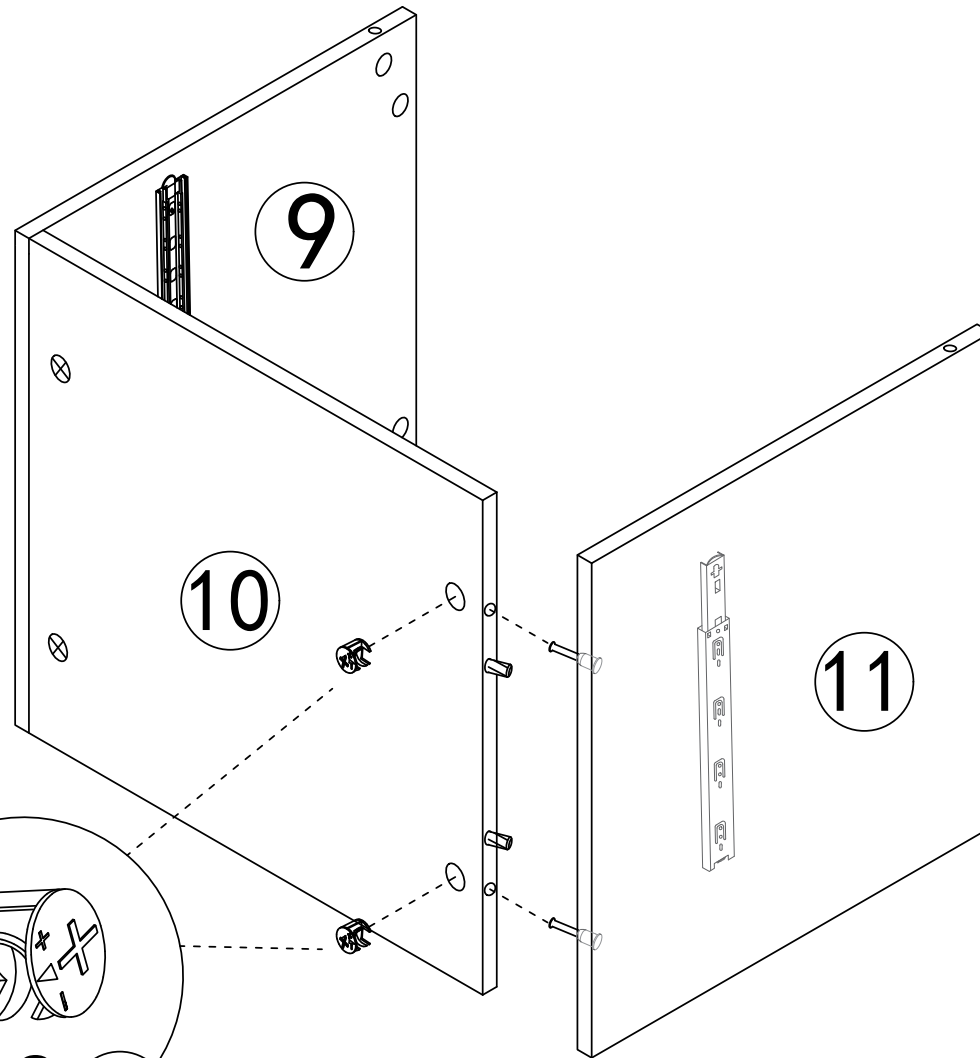
This hole is for strengthening fixed hole customers can choose to install according to their needs.

Step 20

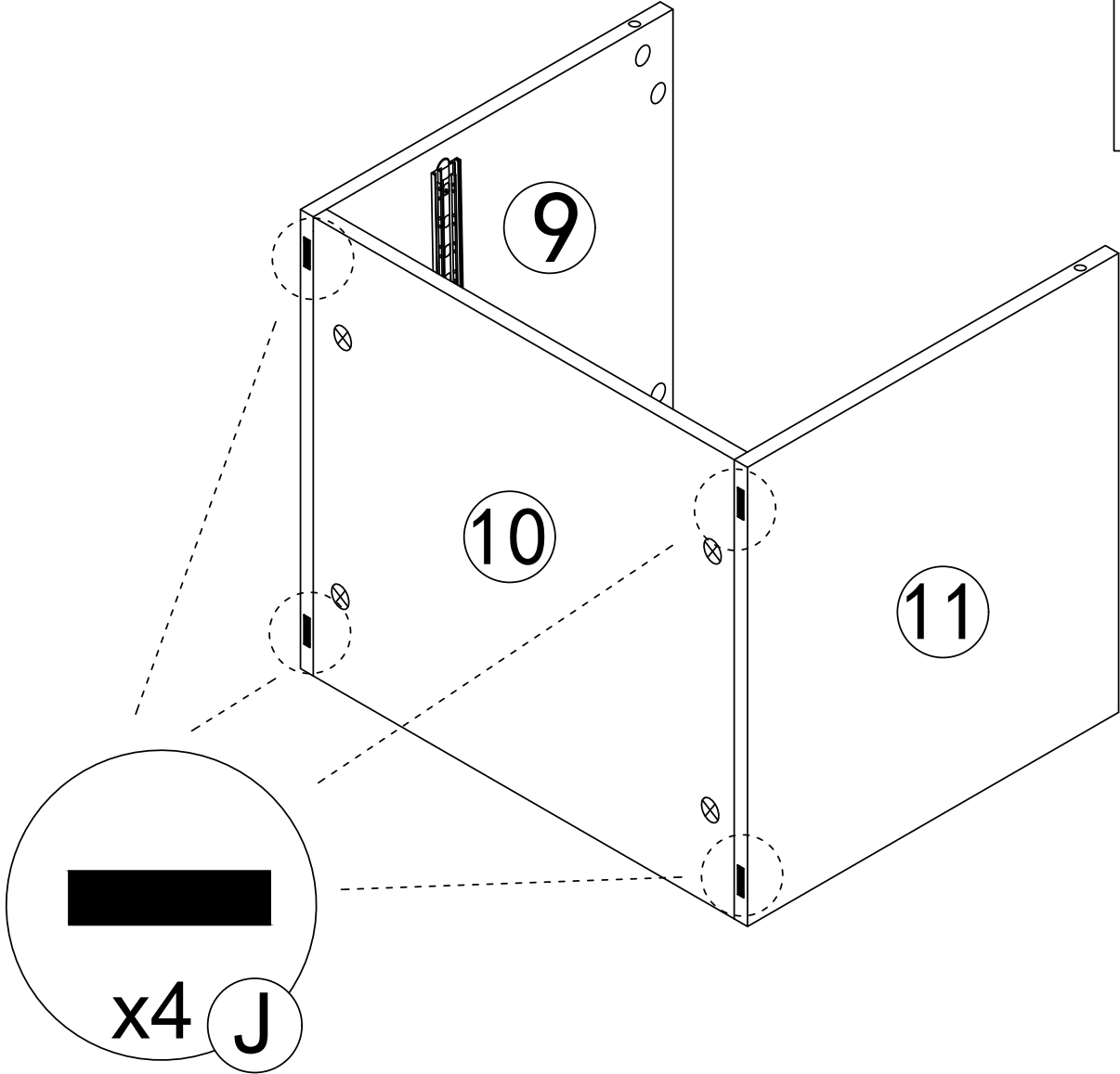
B



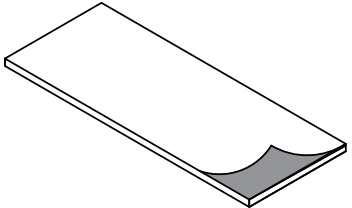
x2



Step 21



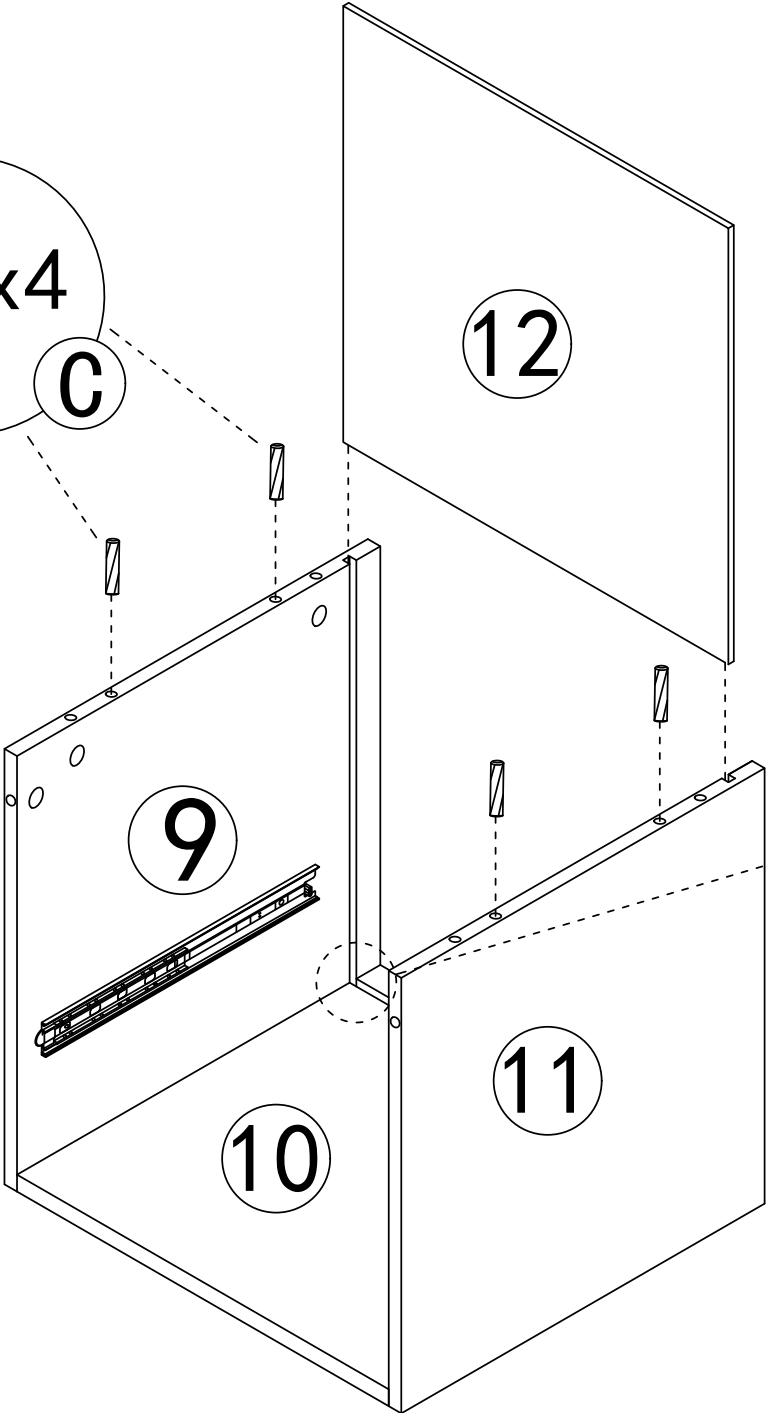
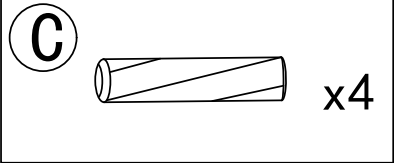
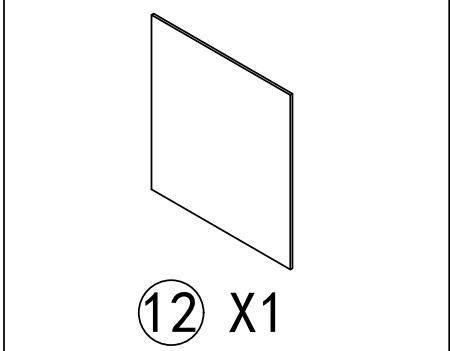
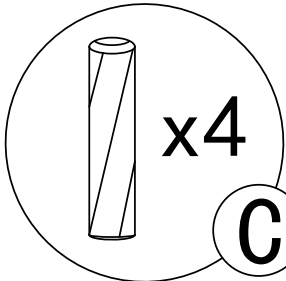
J



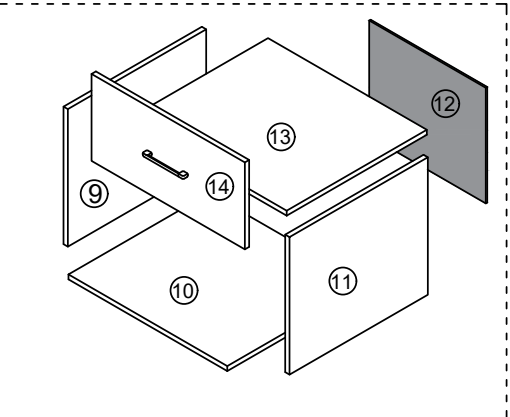
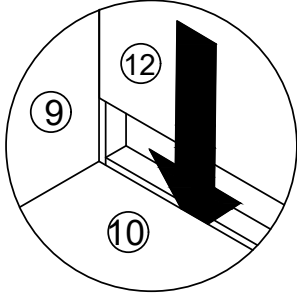
x4

Tear off release paper and stick the black foot pad on the board

Step 22

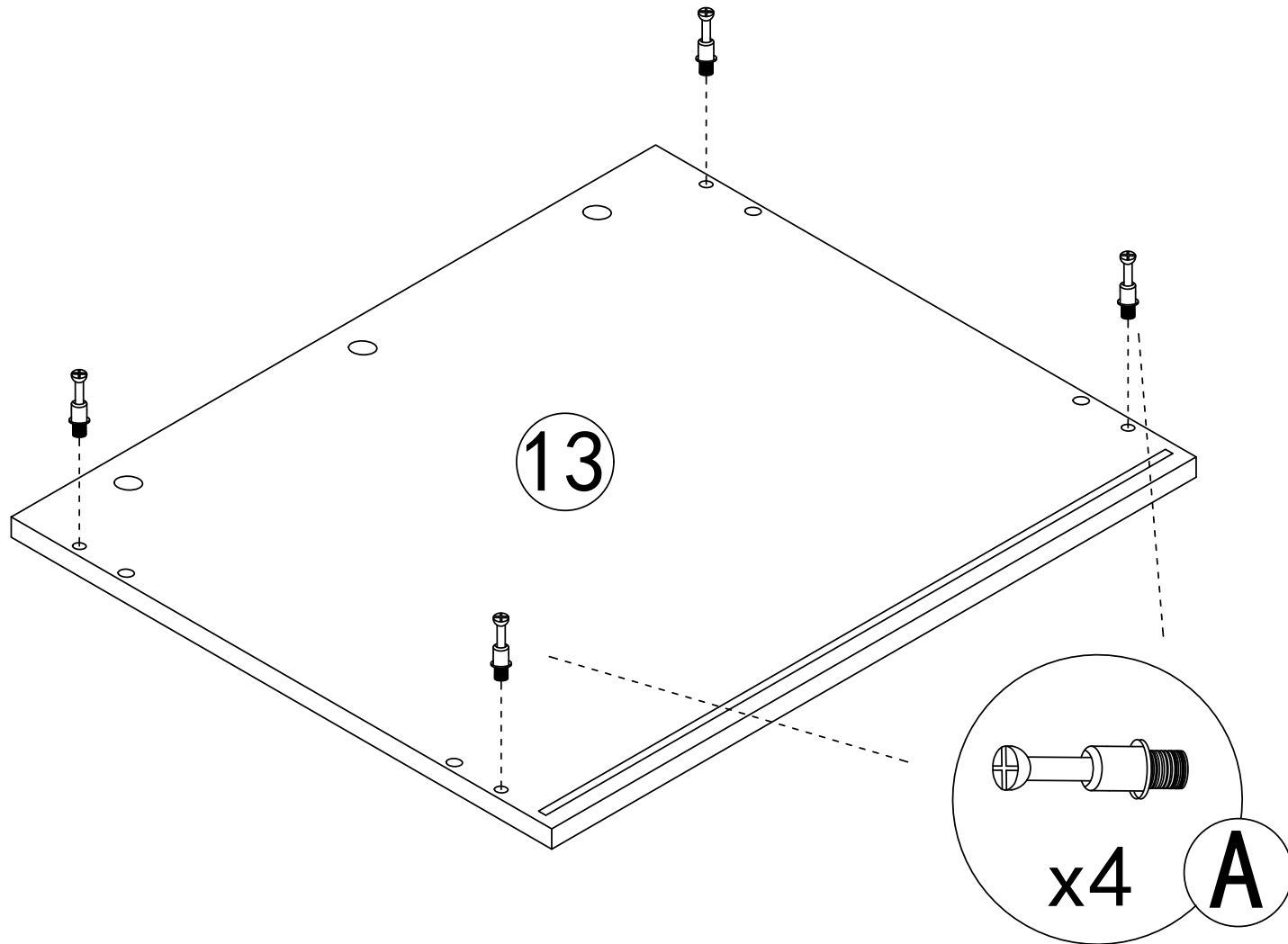
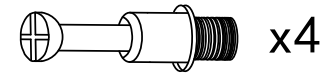


Snap the backplane into the slot



Step 23

A

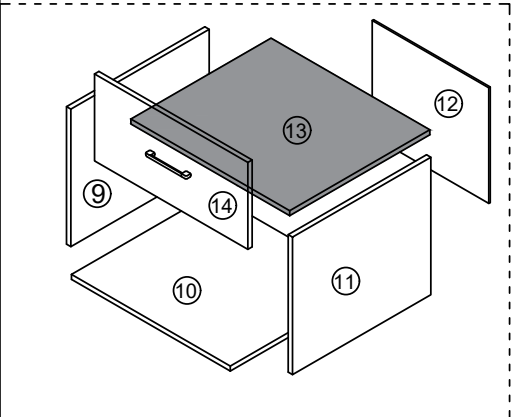
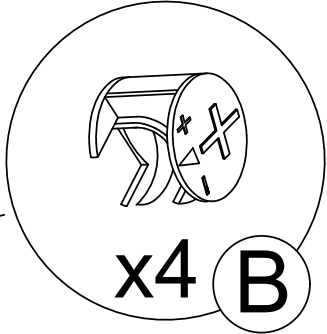
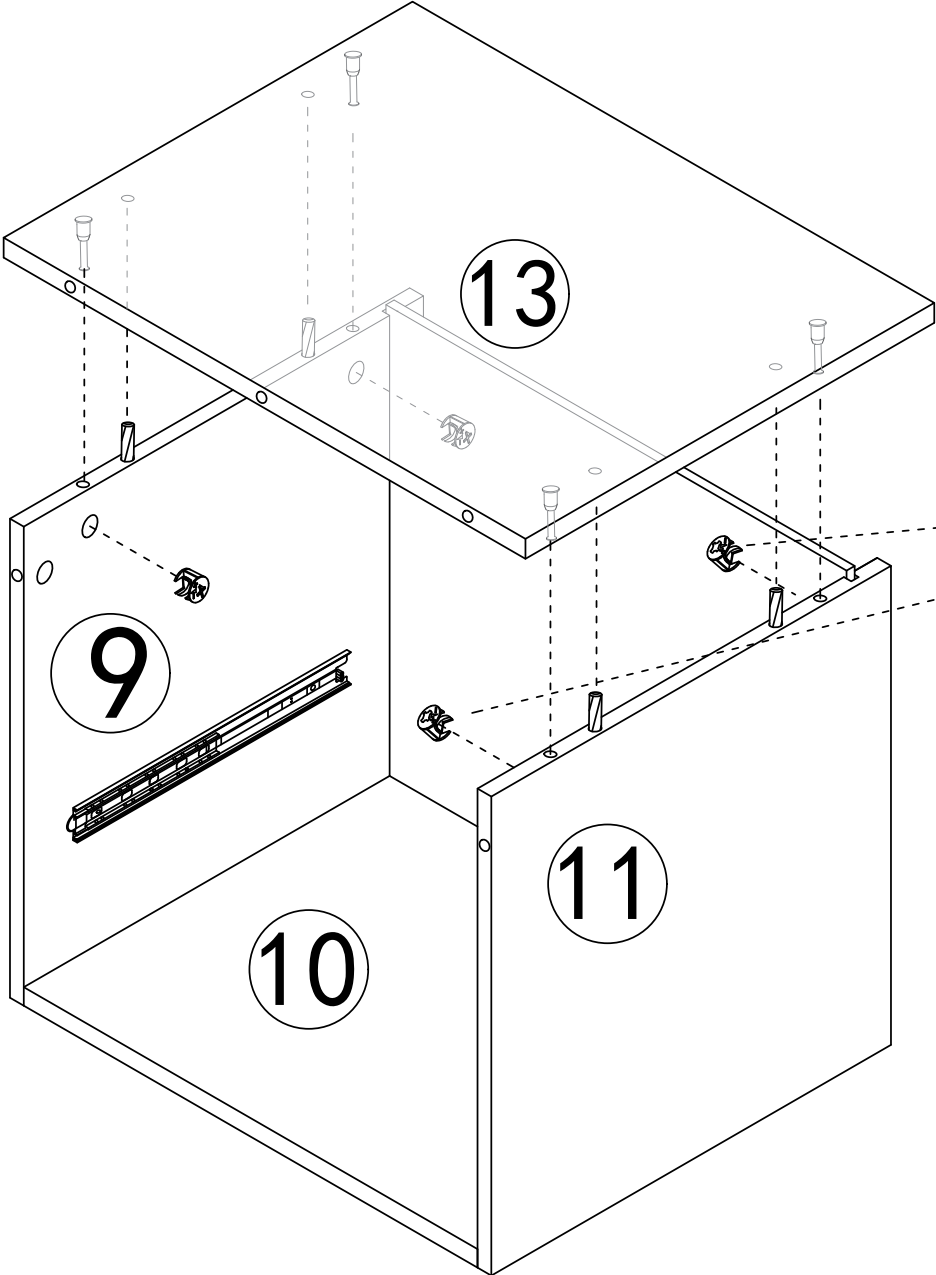


Step 24

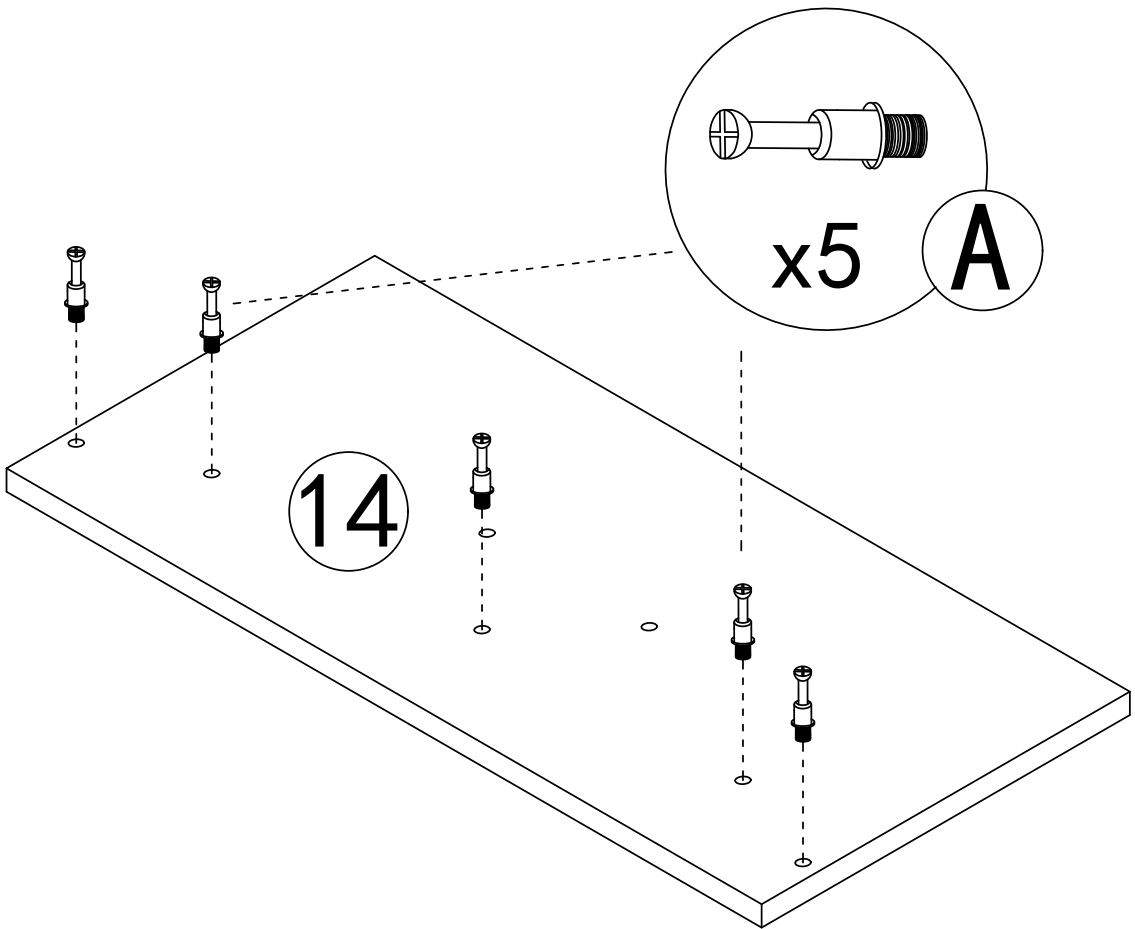
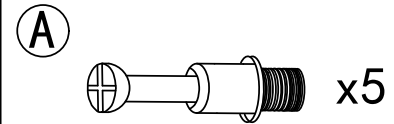
B



x4



Step 25

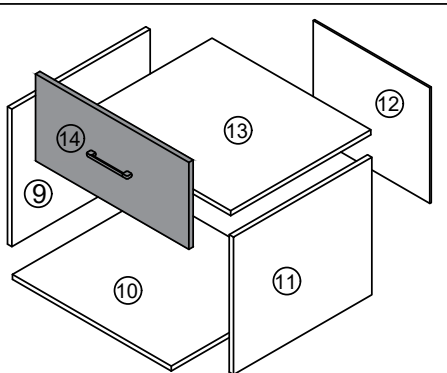
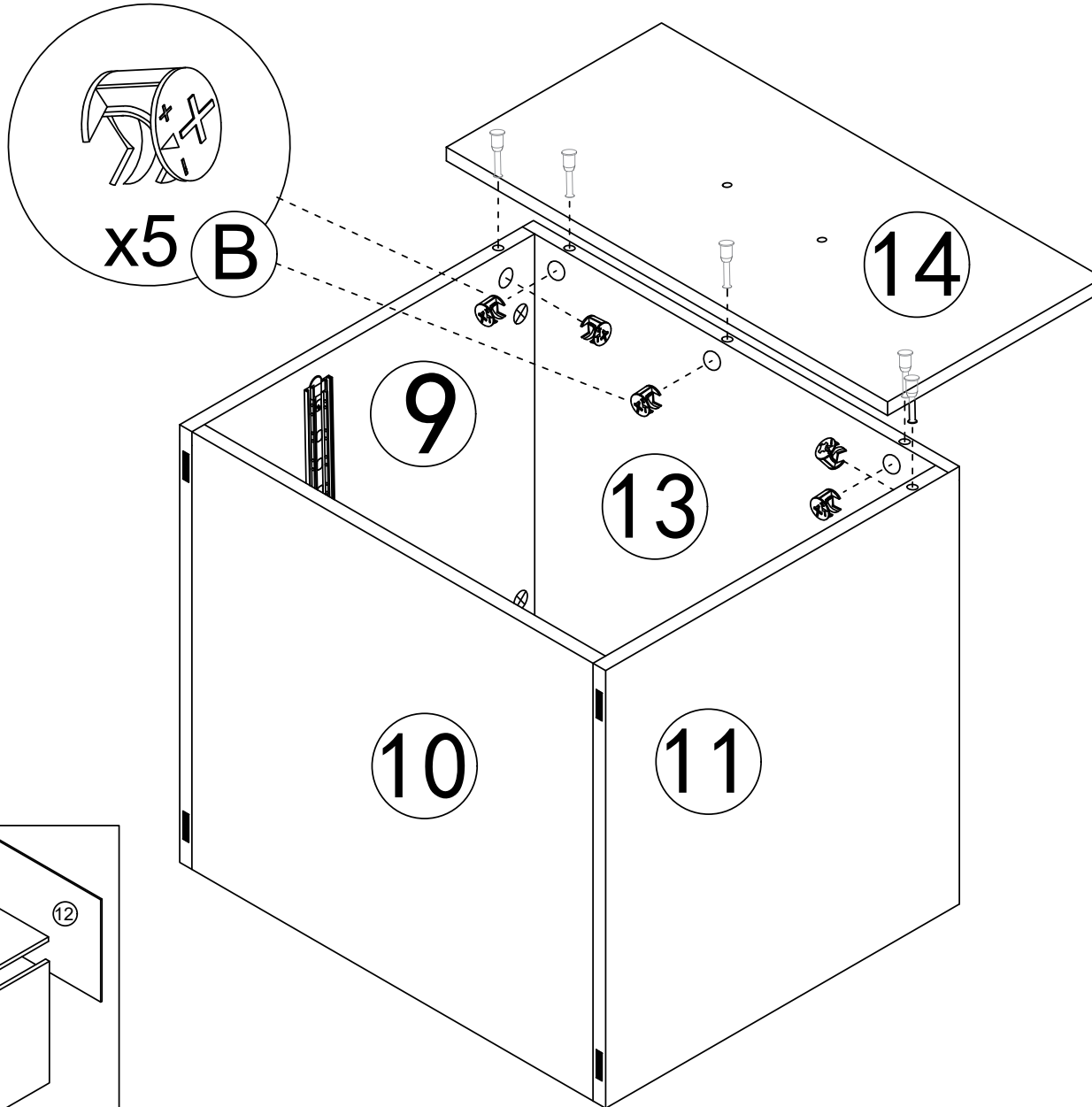


Step 26

B

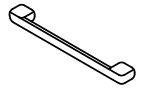


x5



Step 27

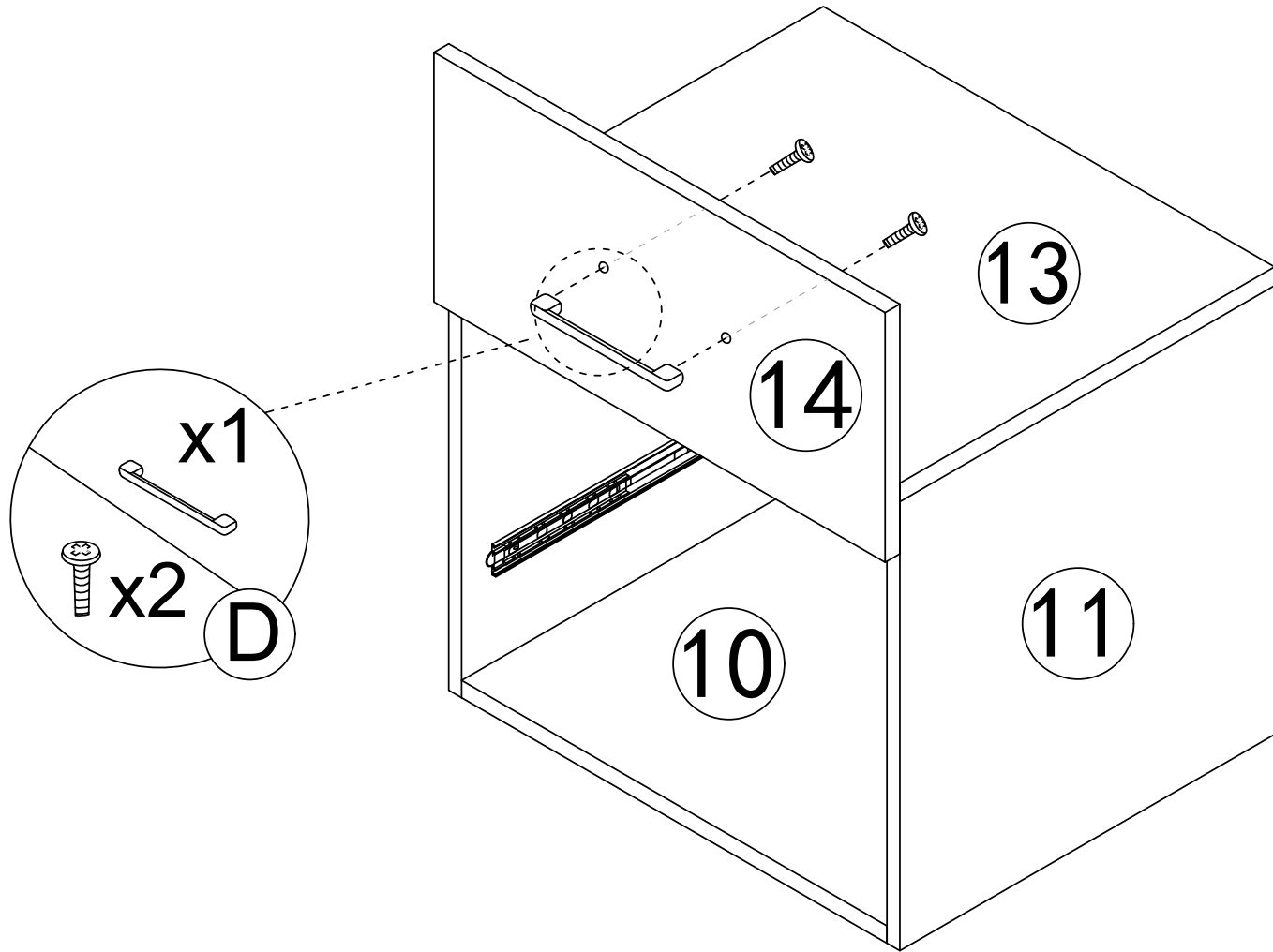
D



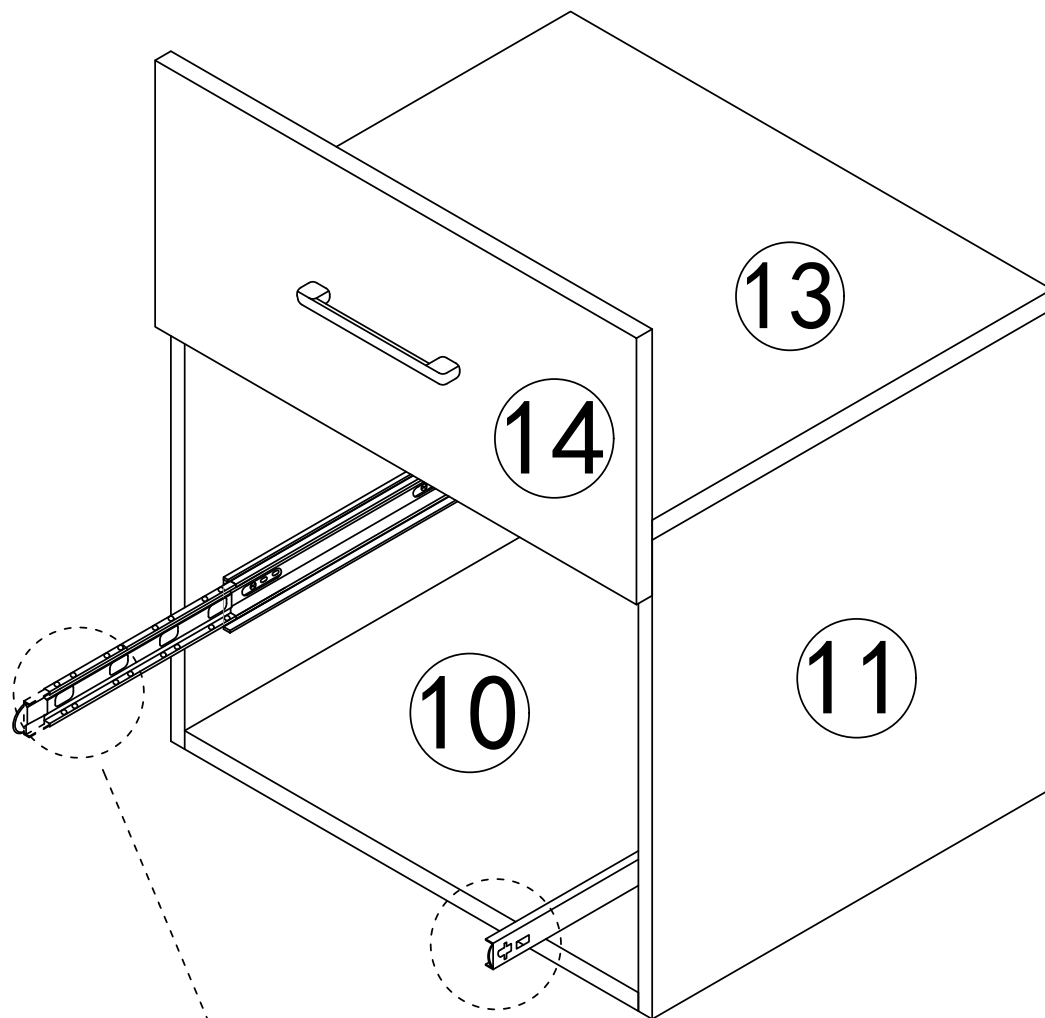
x1



x2

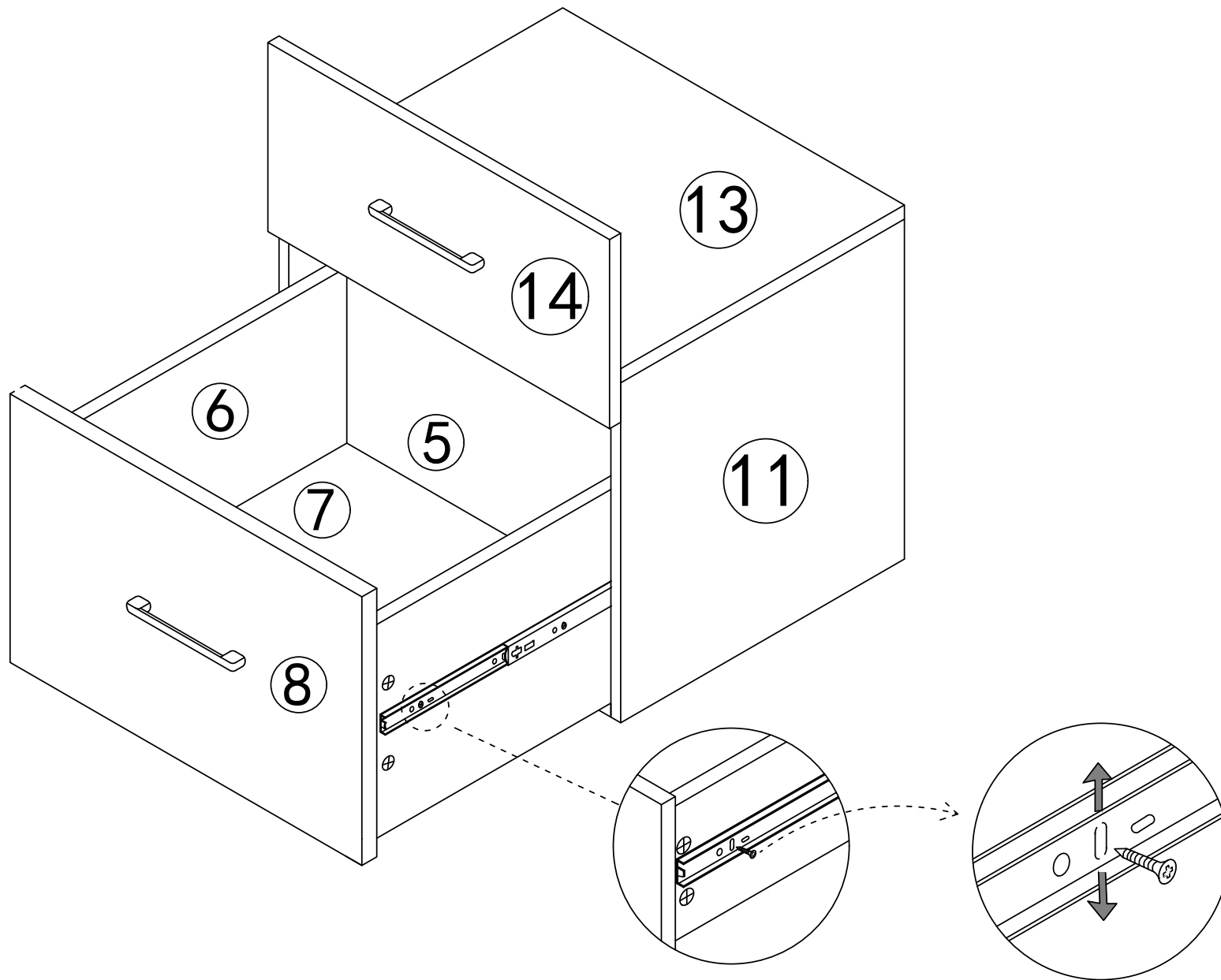


Step 28



As shown, When installing the drawer,
pull the guide rail out first, Slide beads are also pulled out.

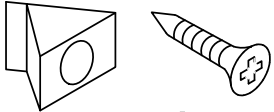
Step 30



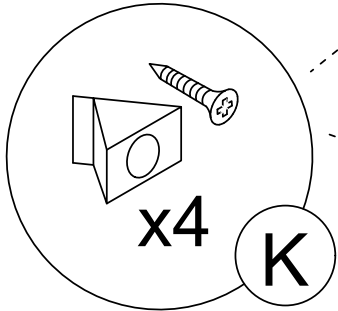
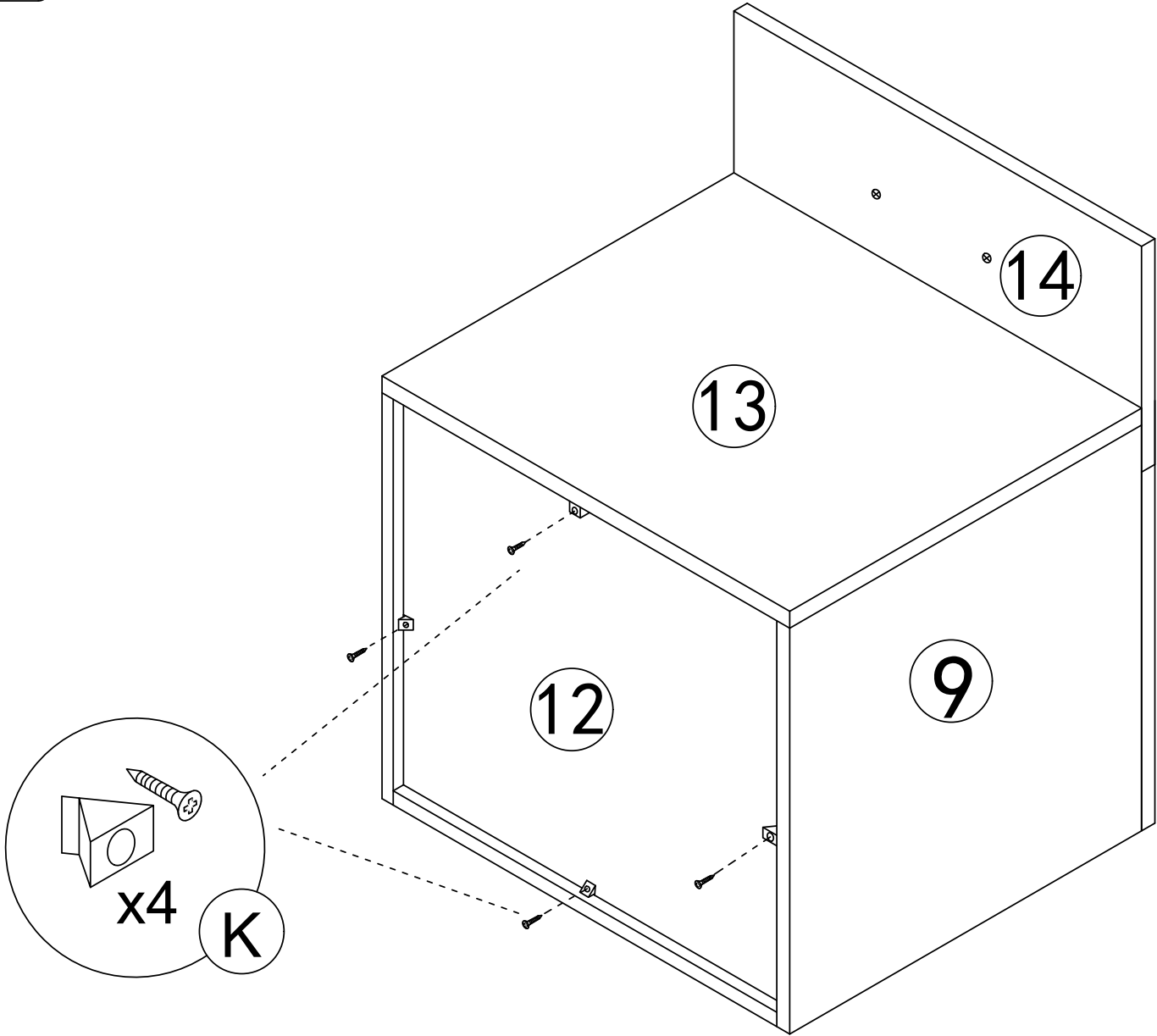
If a large gap is found after installing the drawer the slide rail can be moved up and down to adjust the gap

Step 31

K

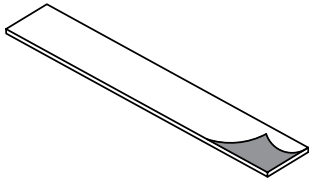


x4



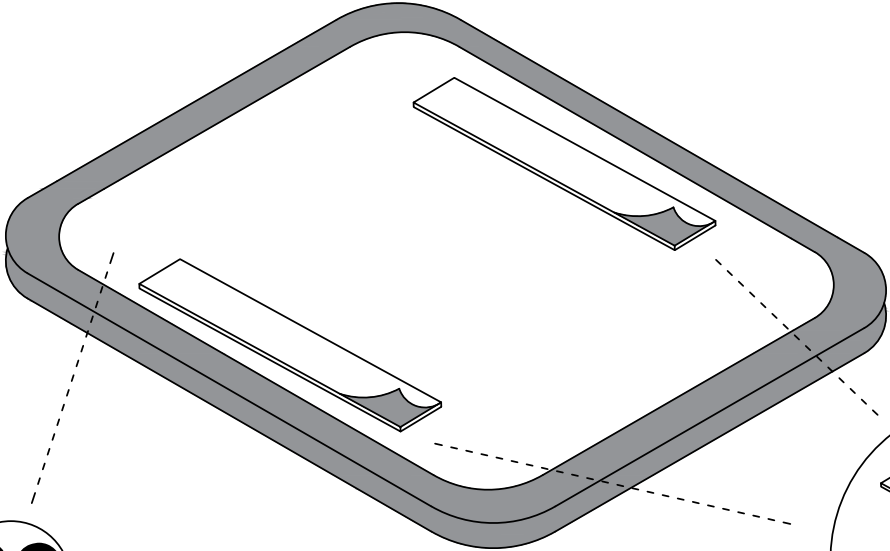
Step 32

N

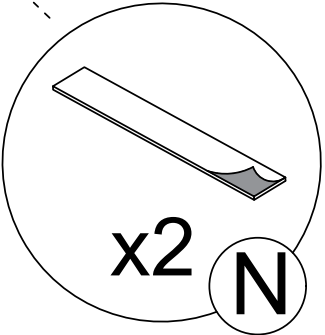


x2

Apply double-sided tape under the seat cushion to prevent it from moving



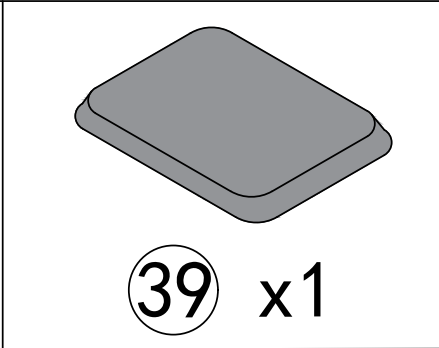
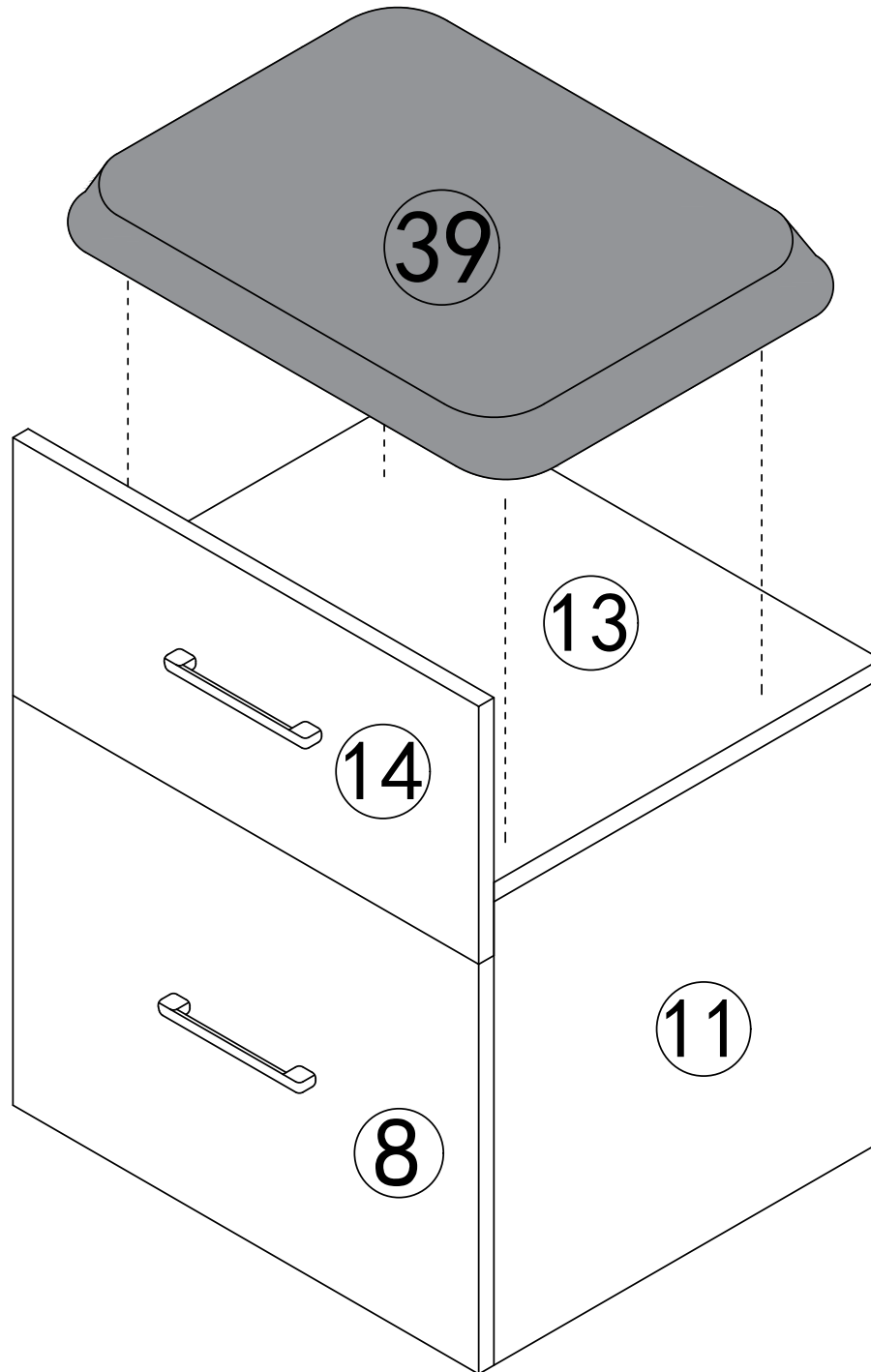
39

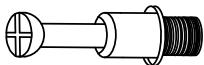

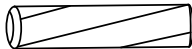
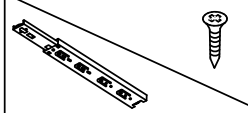



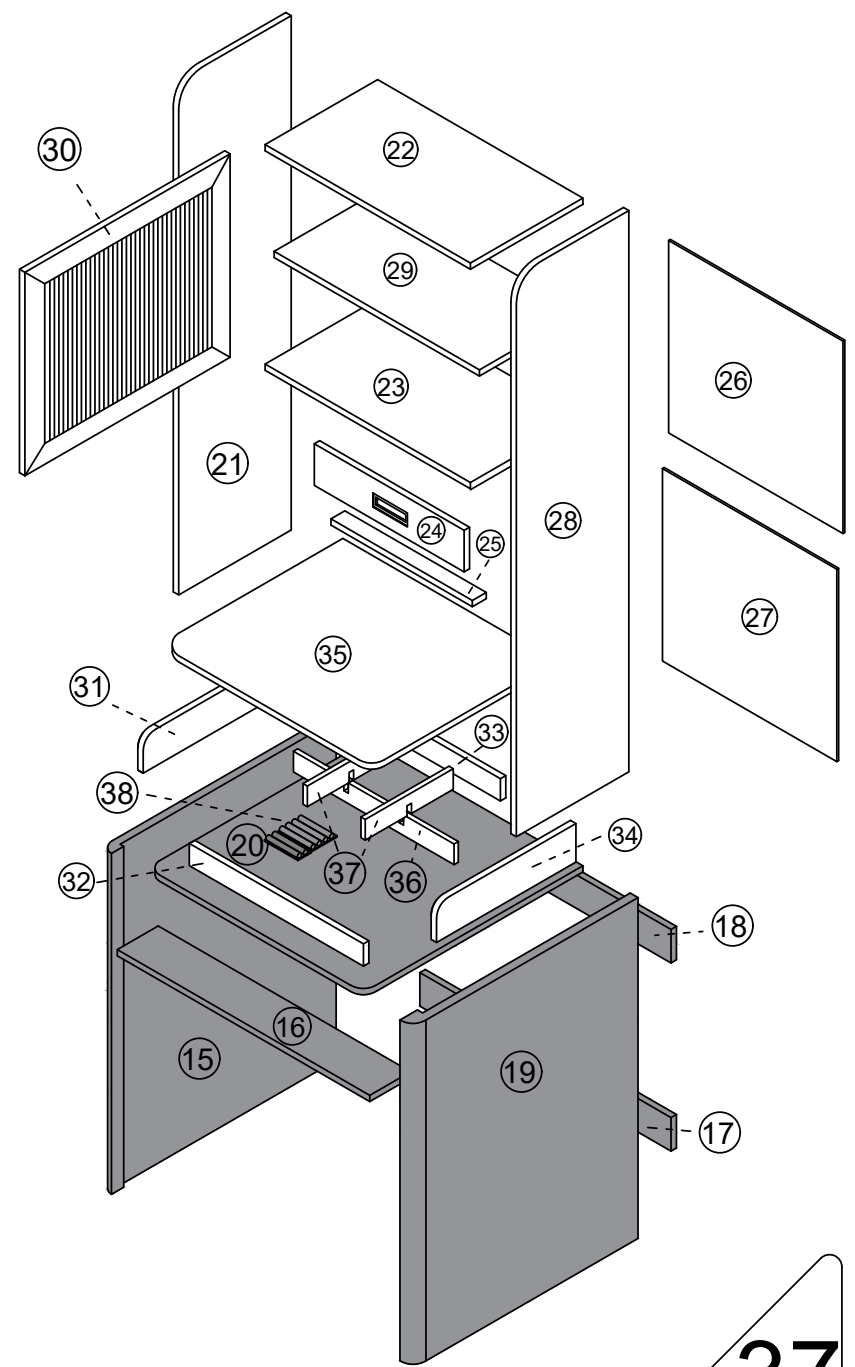
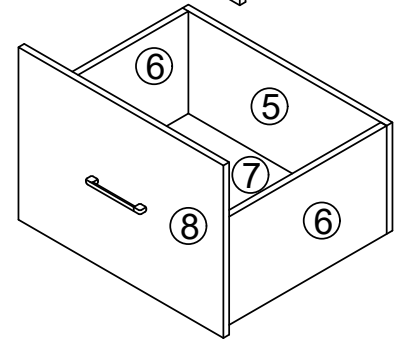
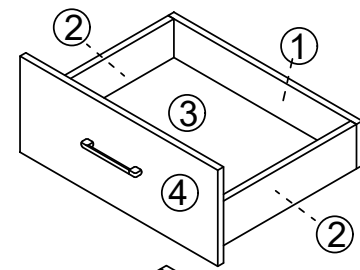
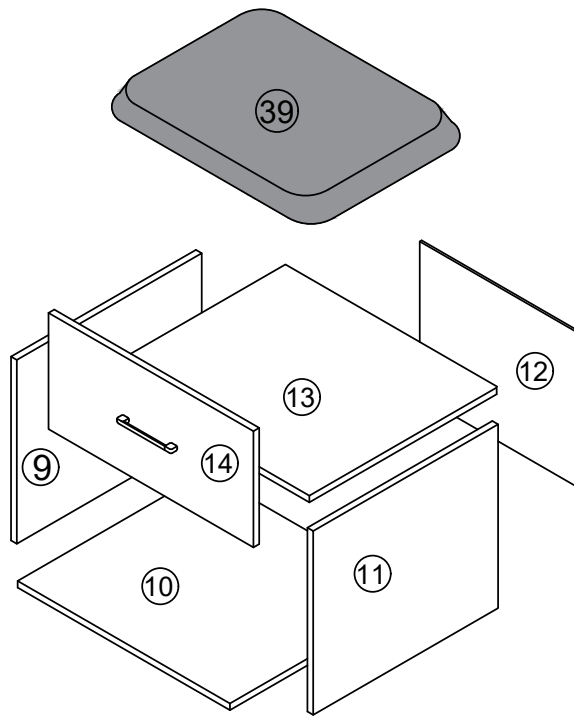
x2

N

Step 33

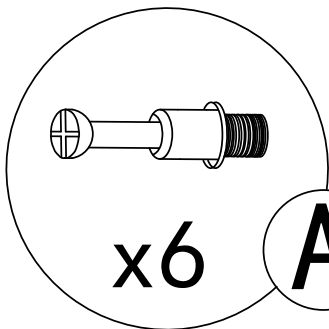
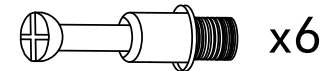


A		30pcs
B		20pcs
C		4pcs
E		6pcs 2pcs
J		5pcs

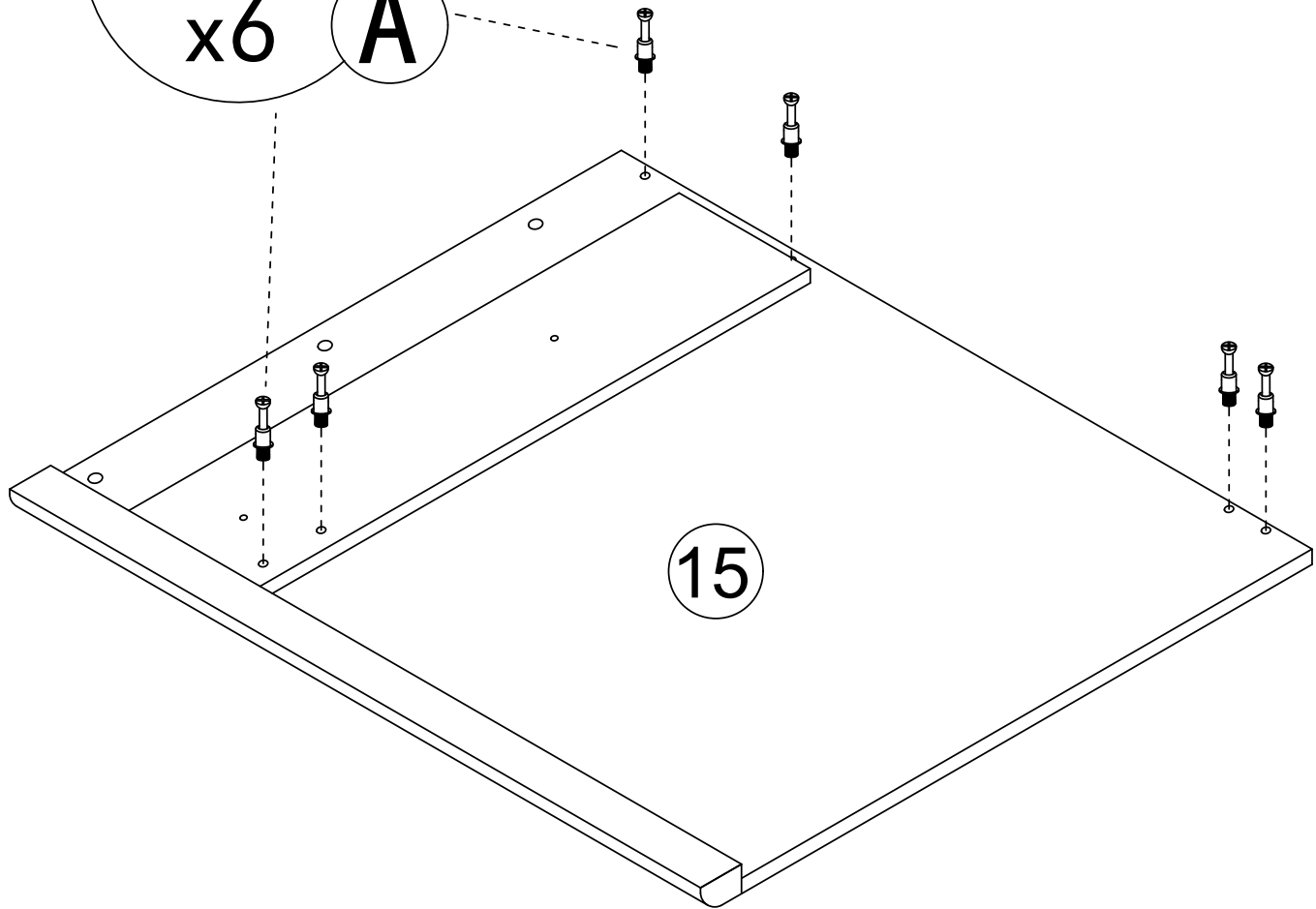


Step 34

A

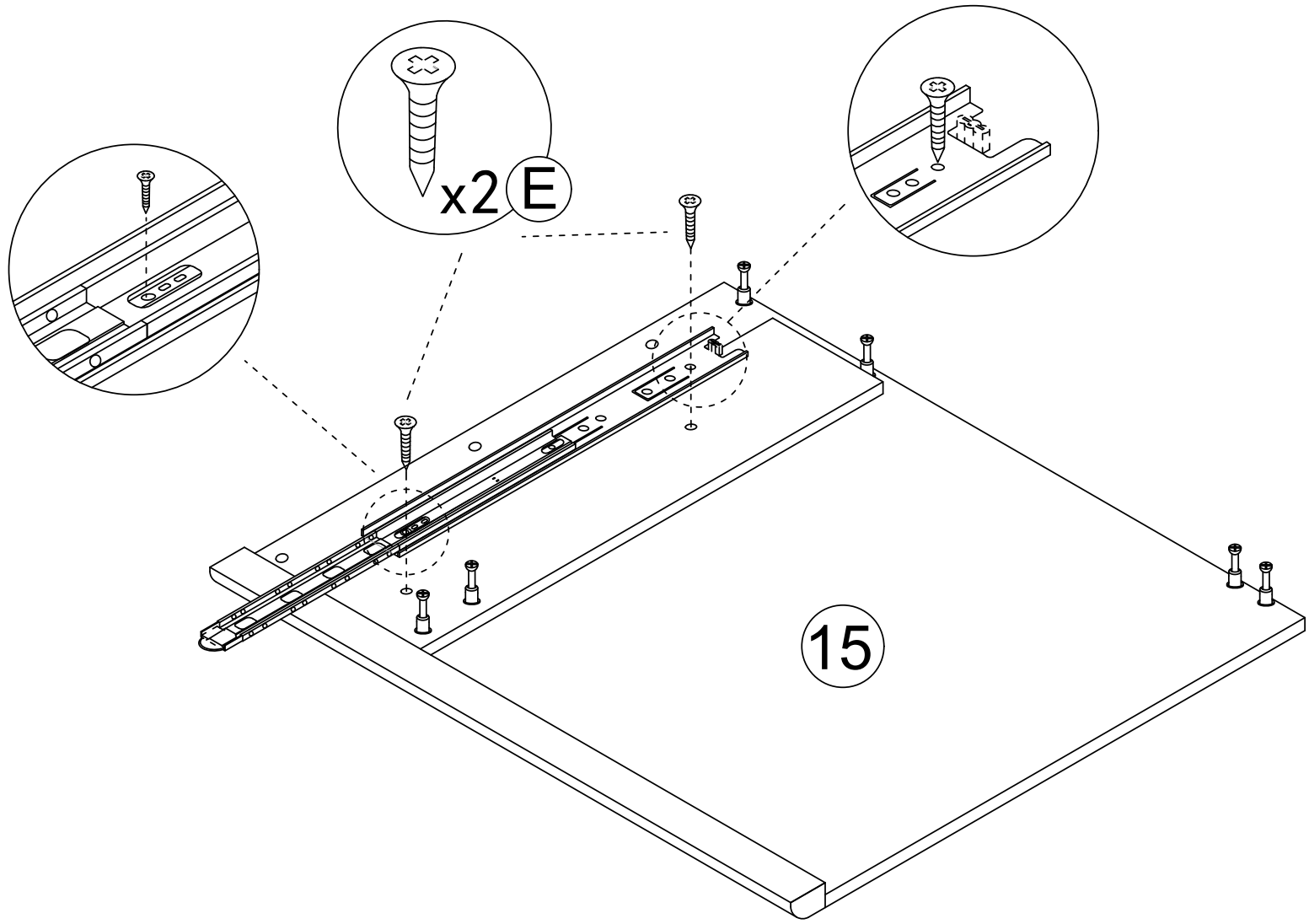
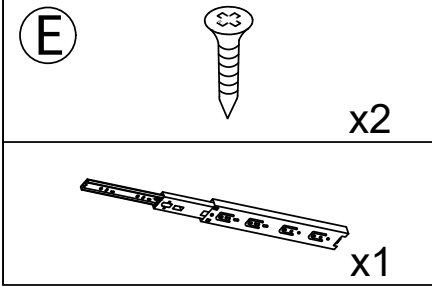
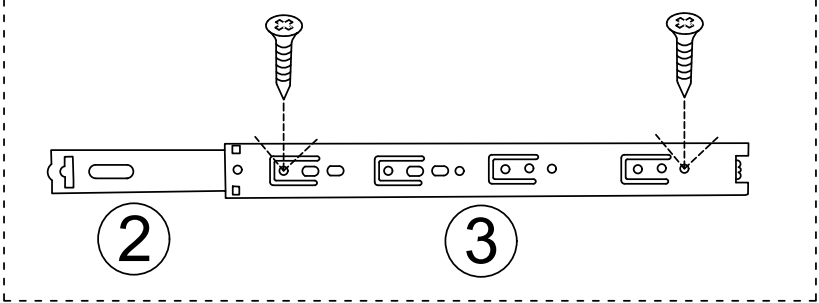


A



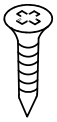
15

Step 35

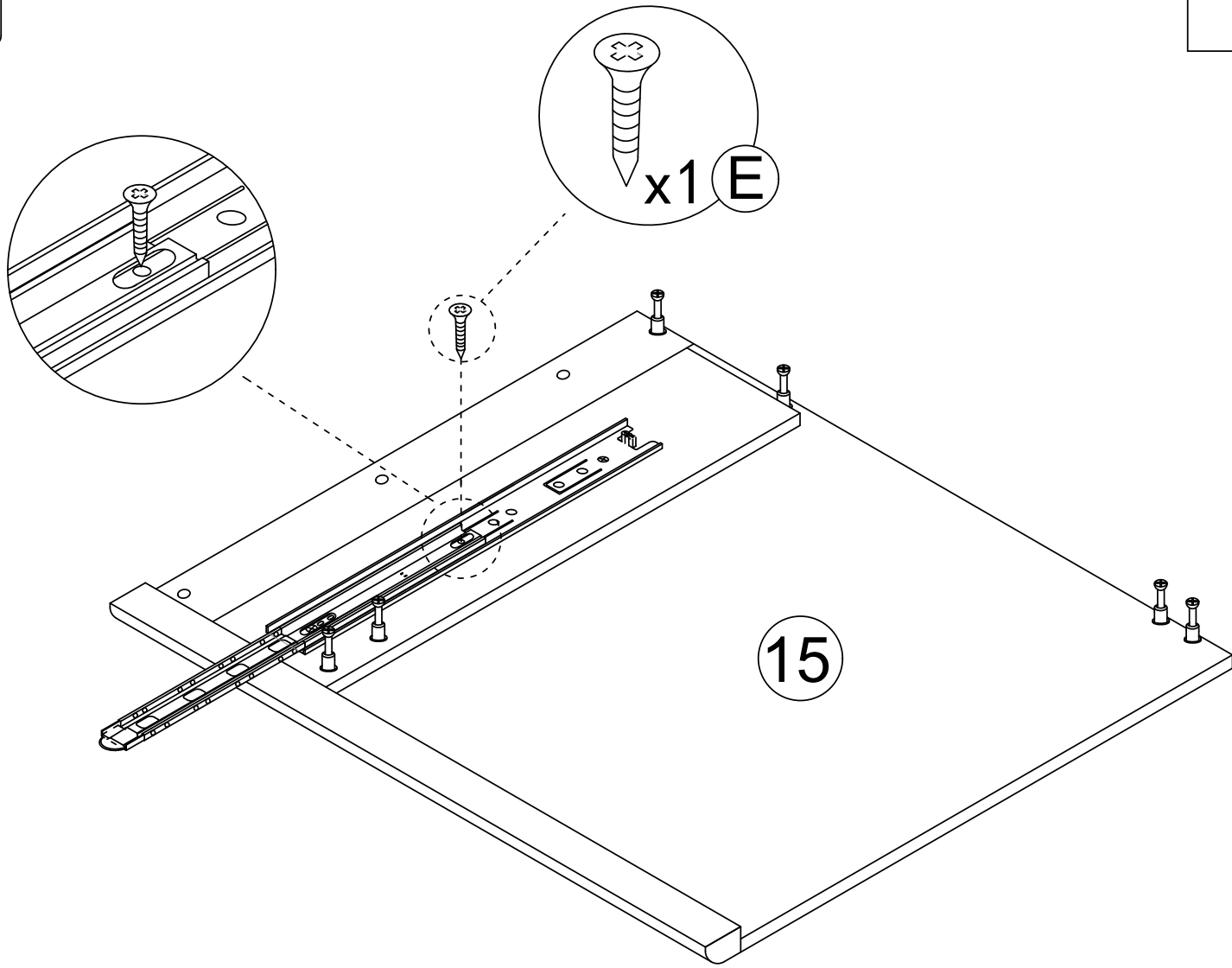


Step 36

E



x1



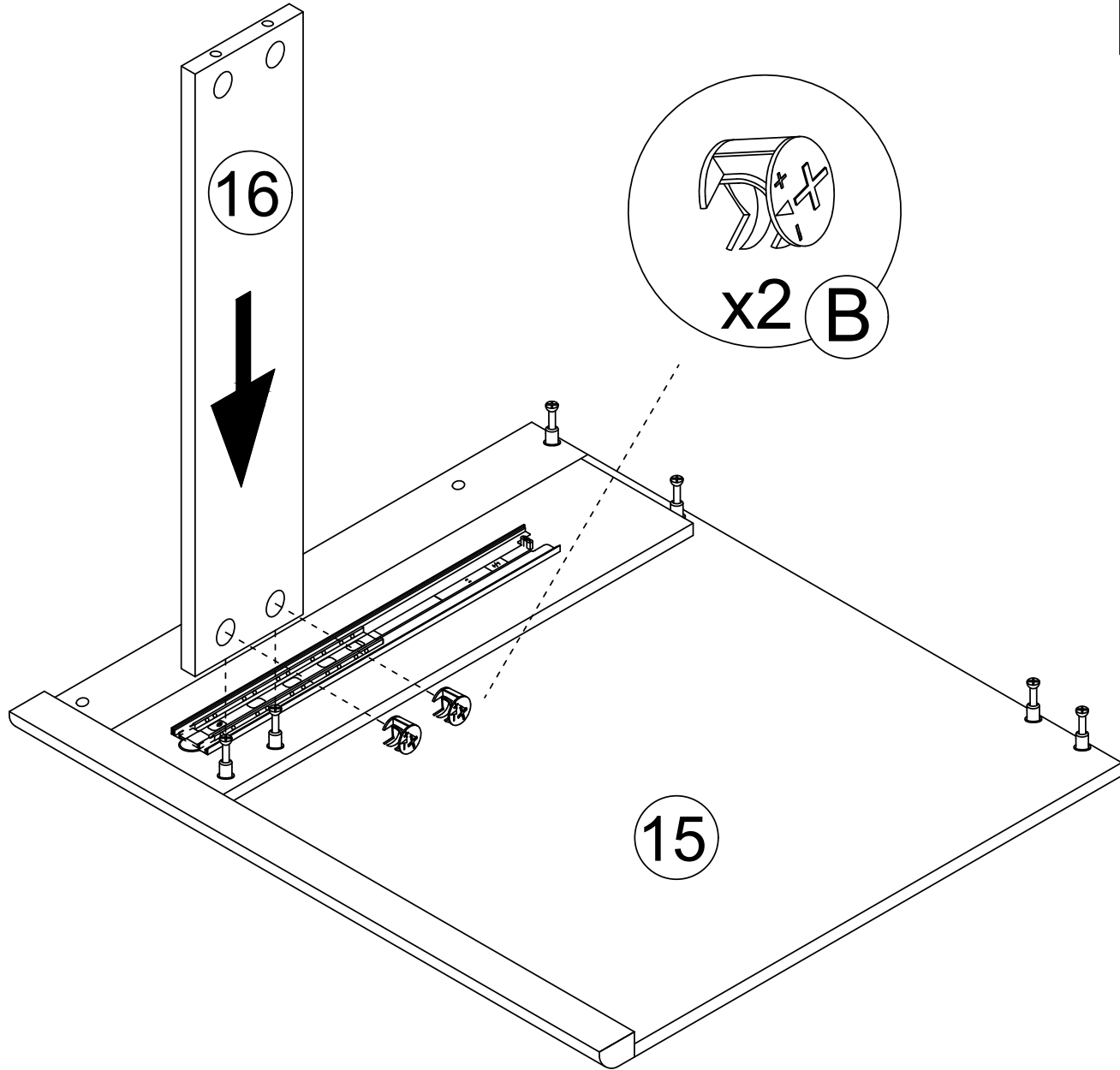
This hole is for strengthening fixed hole customers can choose to install according to their needs.

Step 37

B

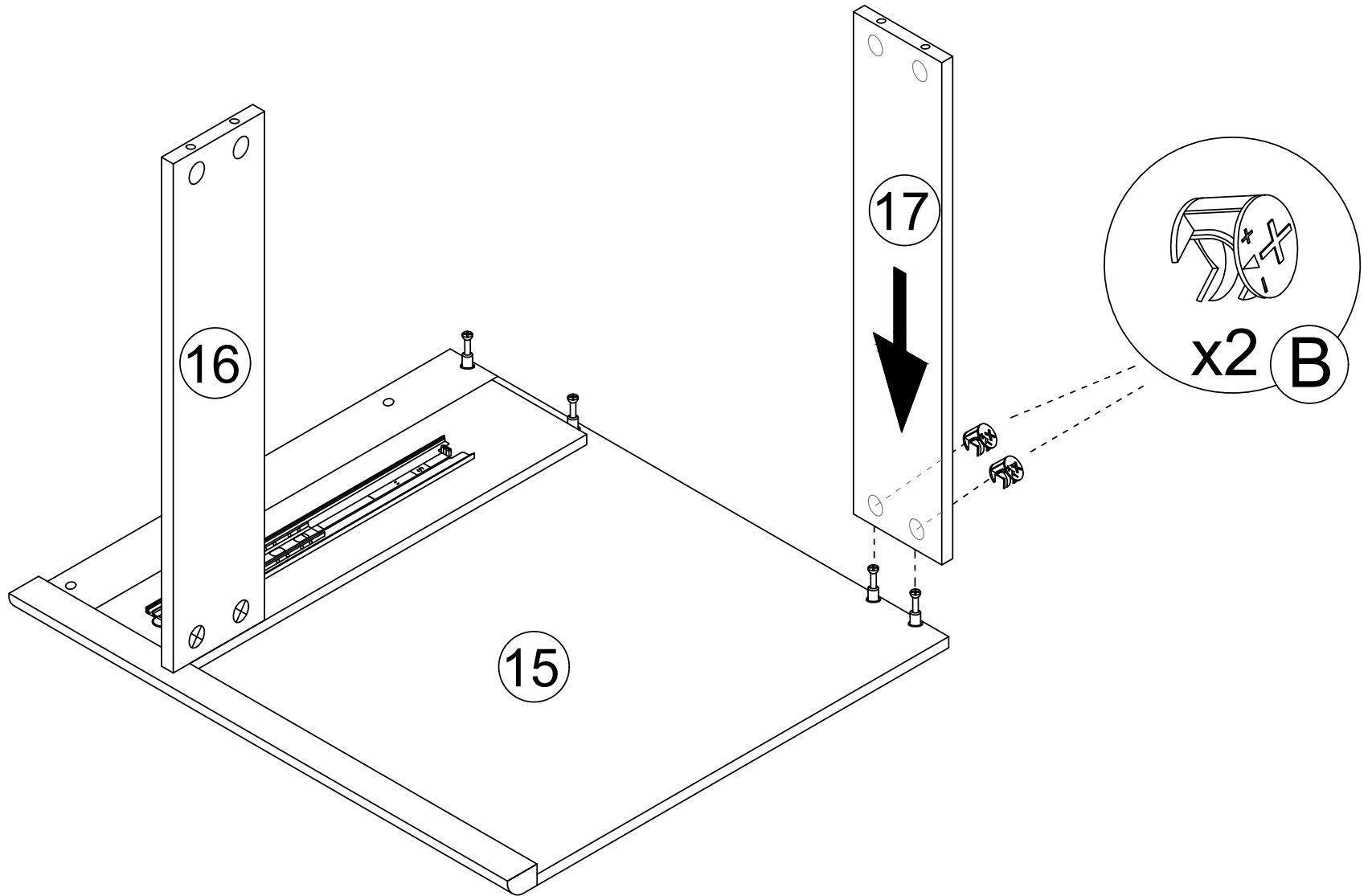


x2



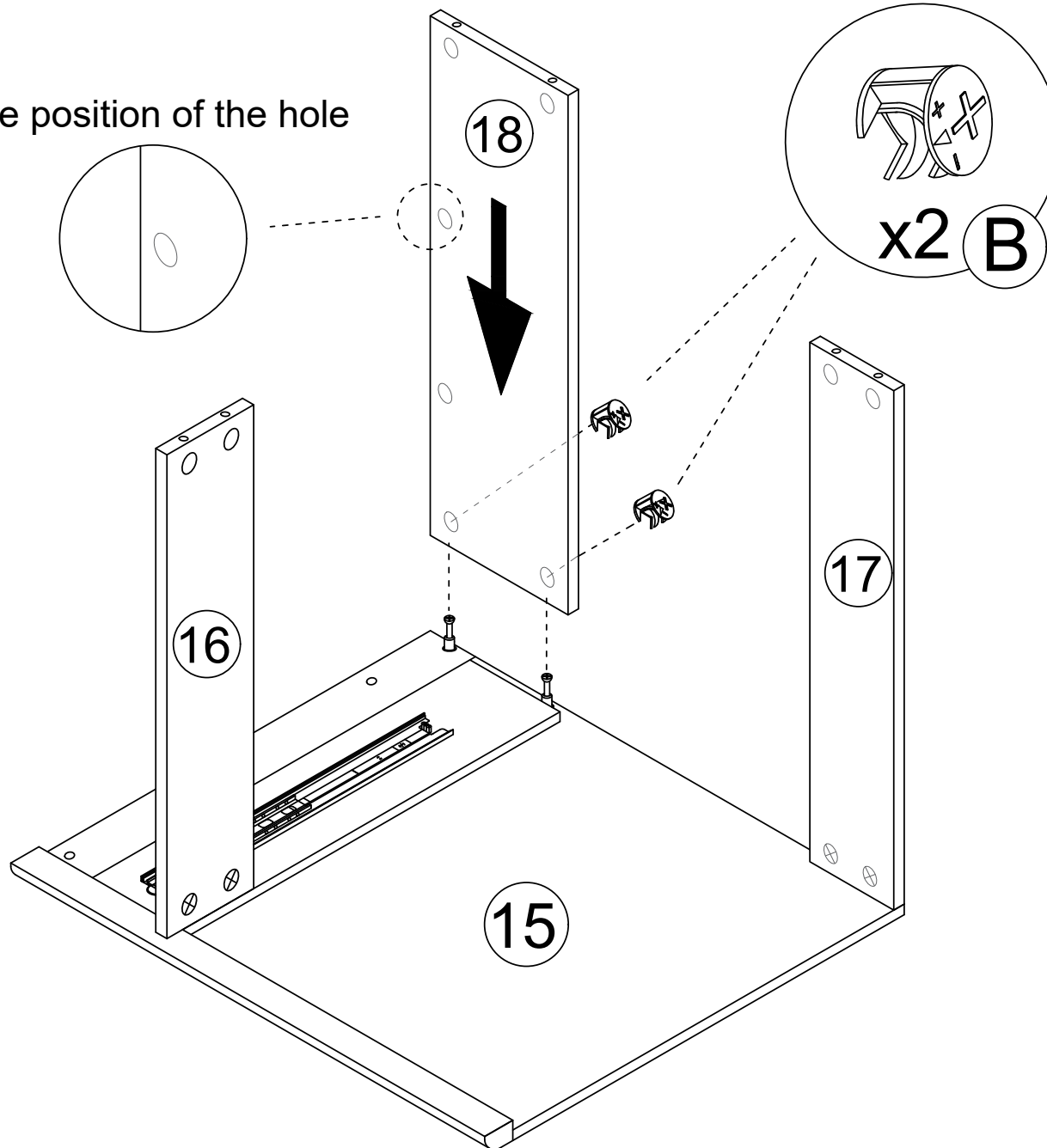
Step 38

B  x2



Step 39

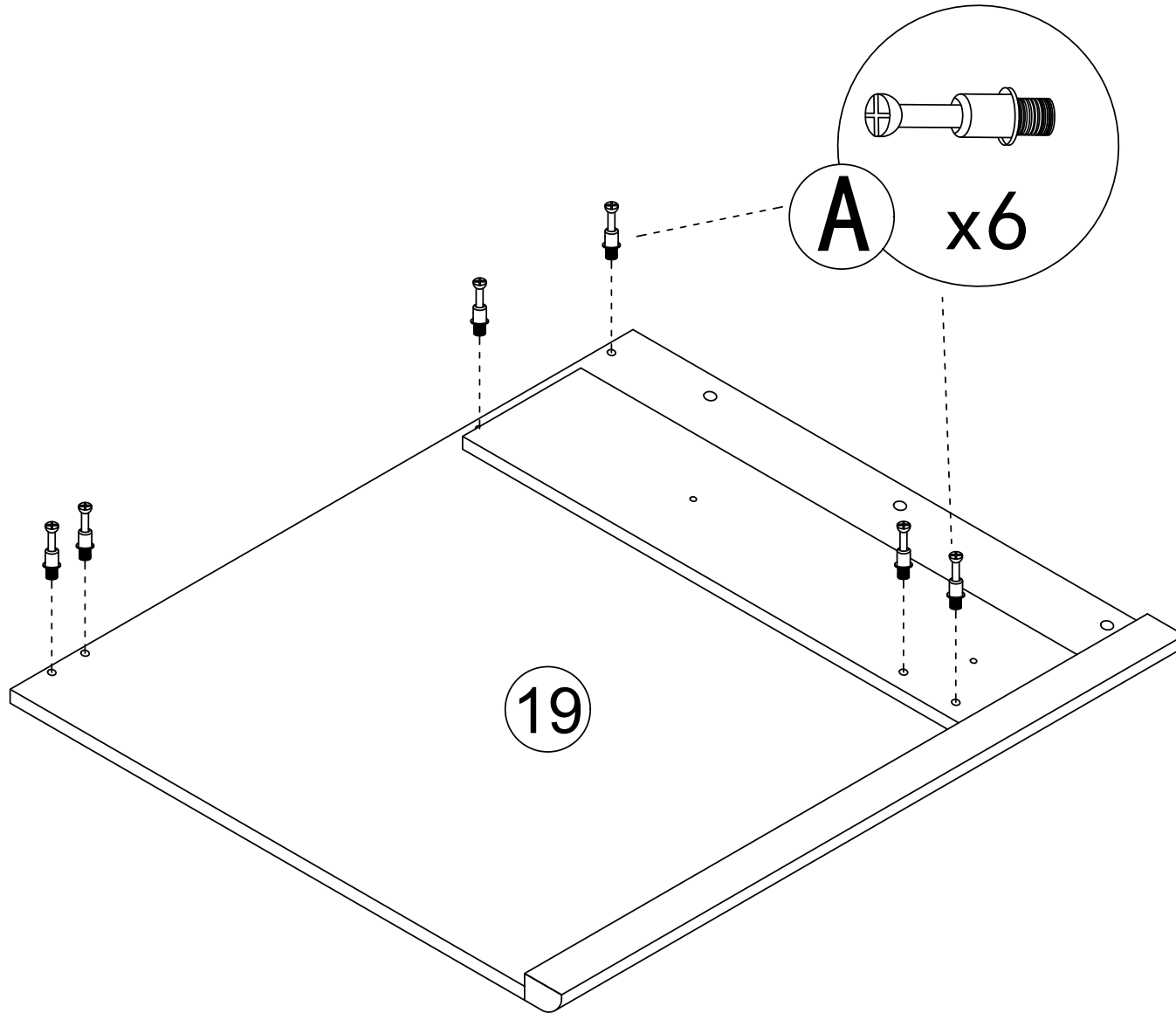
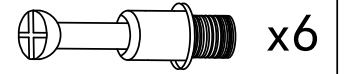
Pay attention to the position of the hole



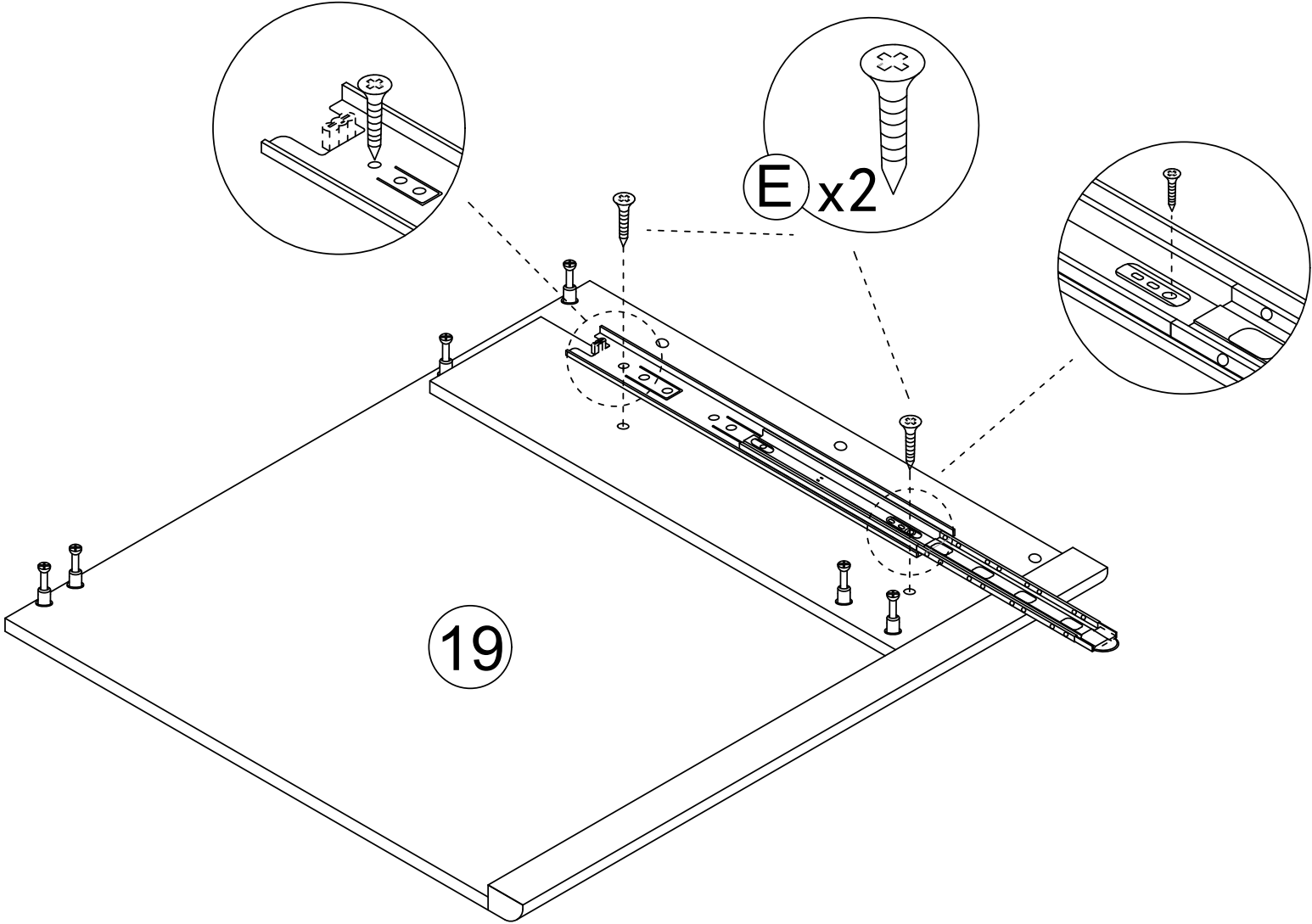
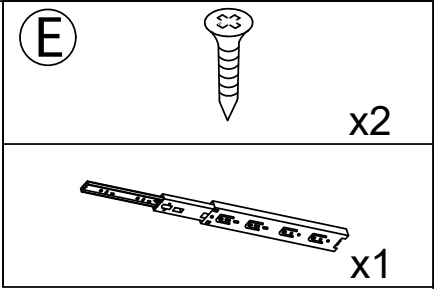
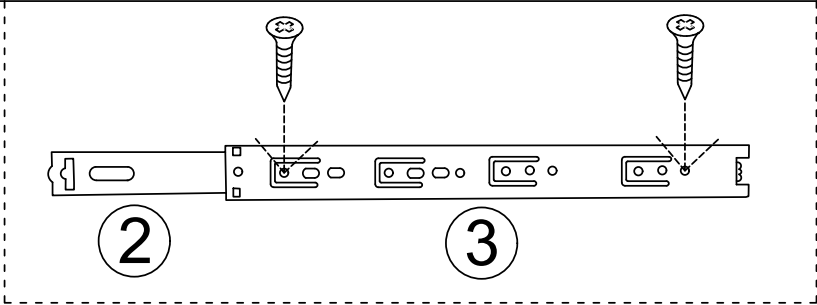
B  x2

Step 40

A

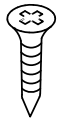


Step 41

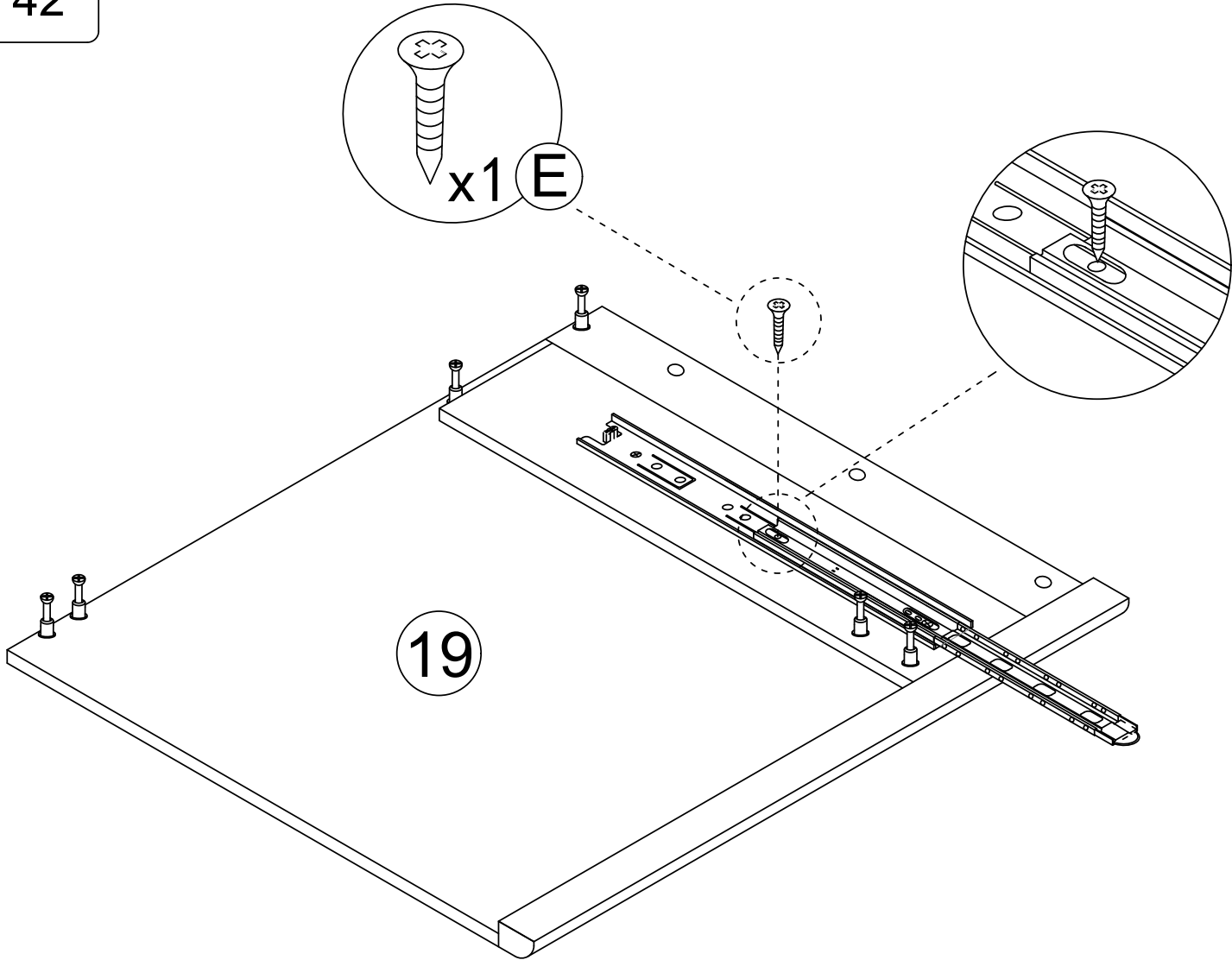


Step 42

E



x1



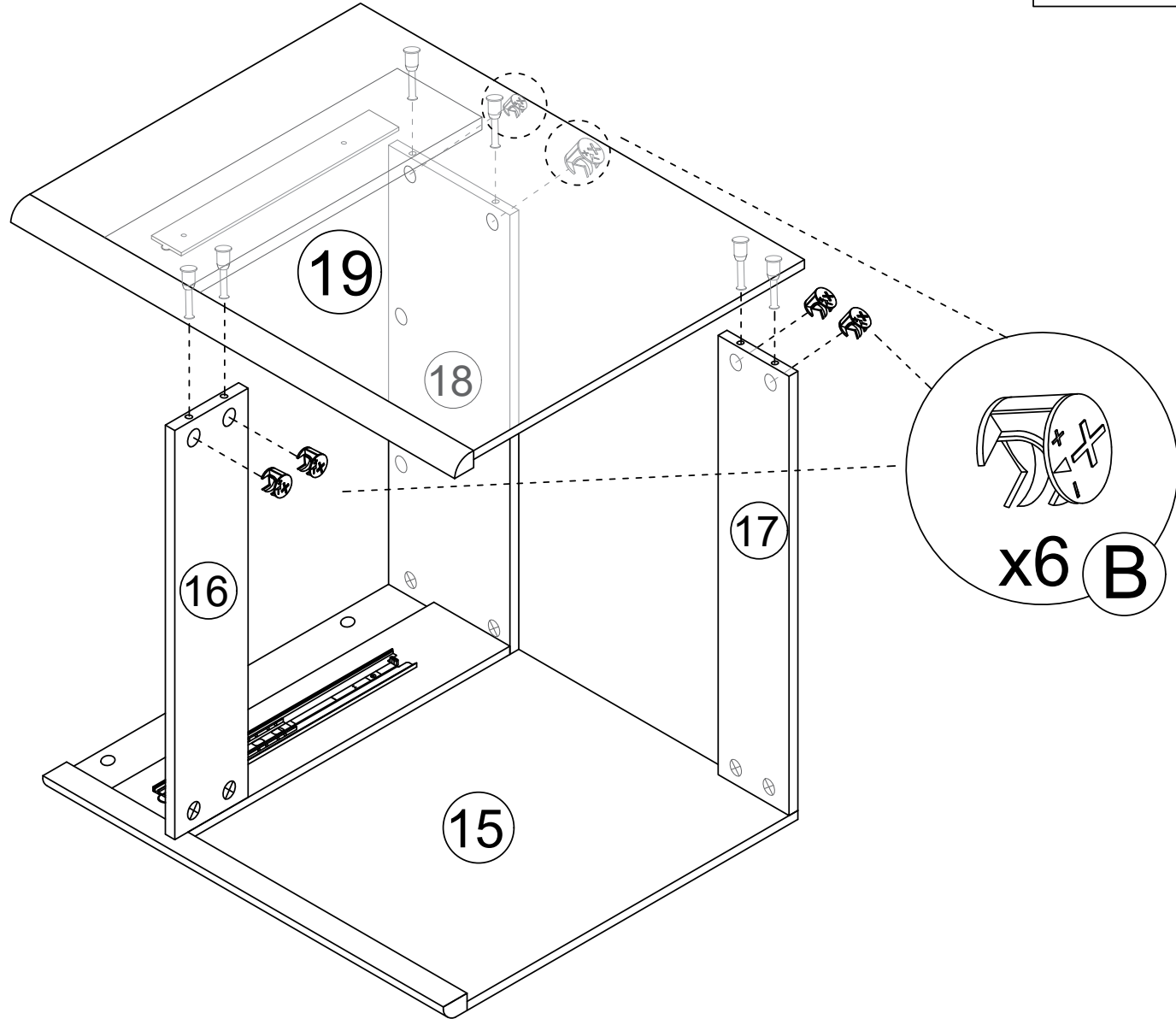
This hole is for strengthening fixed hole customers can choose to install according to their needs.

Step 43

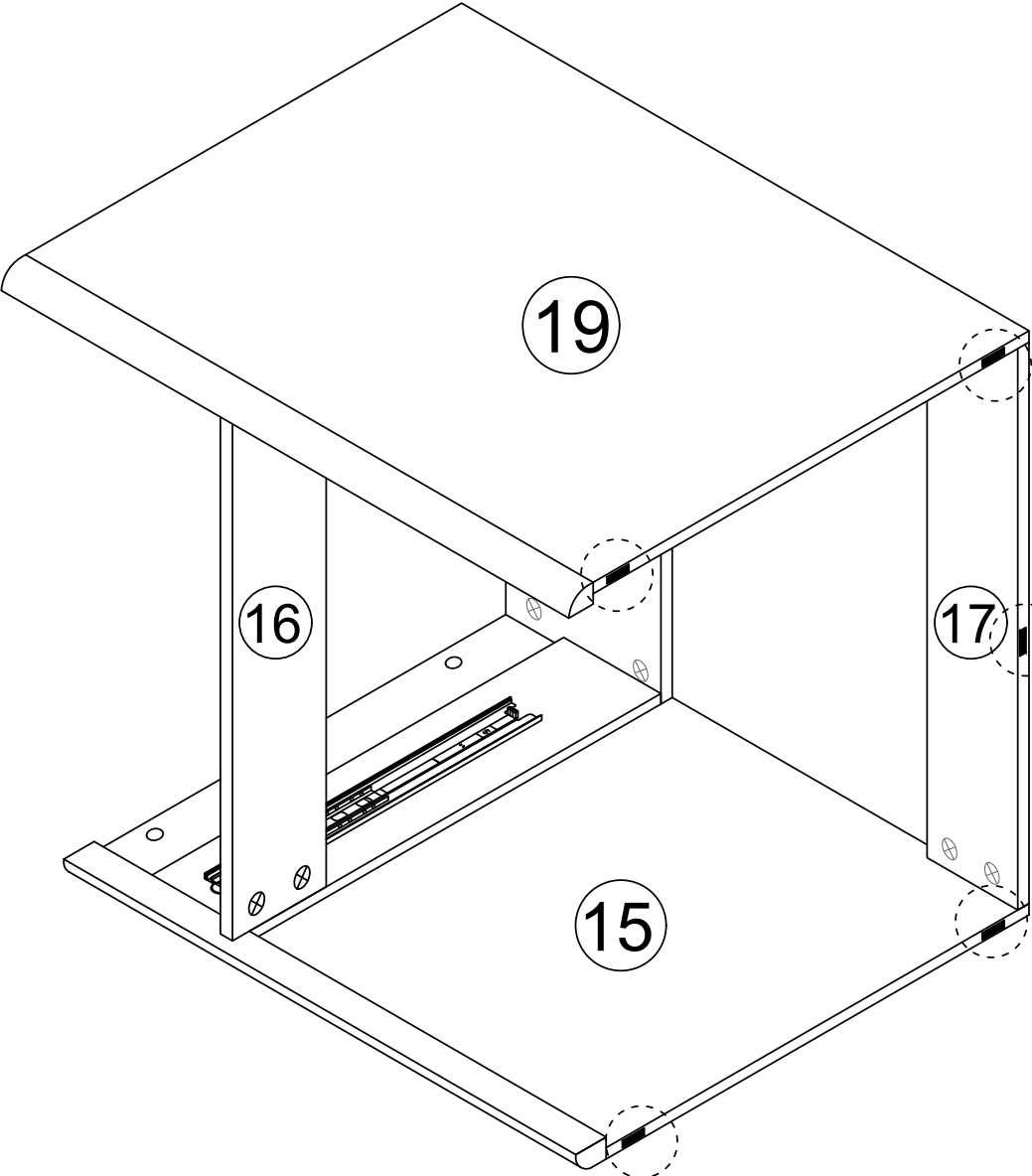
B



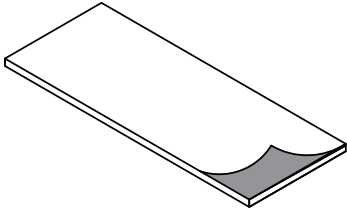
x6



Step 44

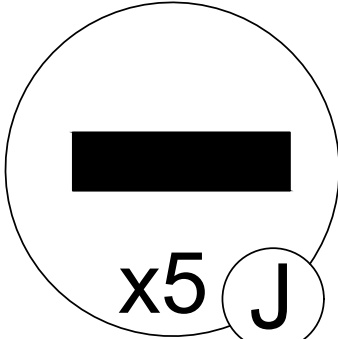


J



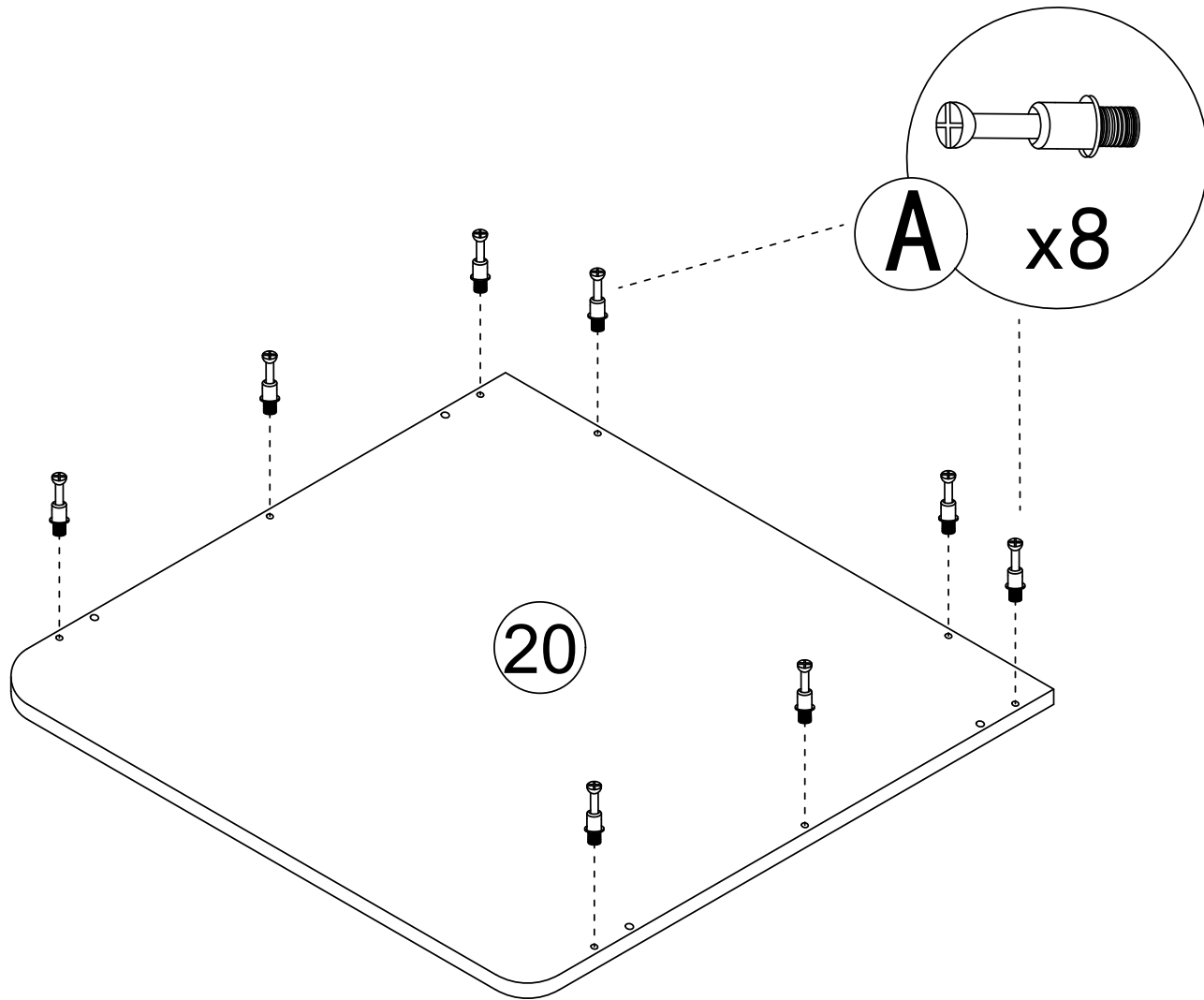
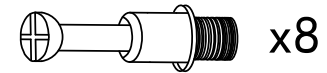
x5

Tear off release paper and stick the black foot pad on the board



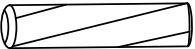
Step 45


A

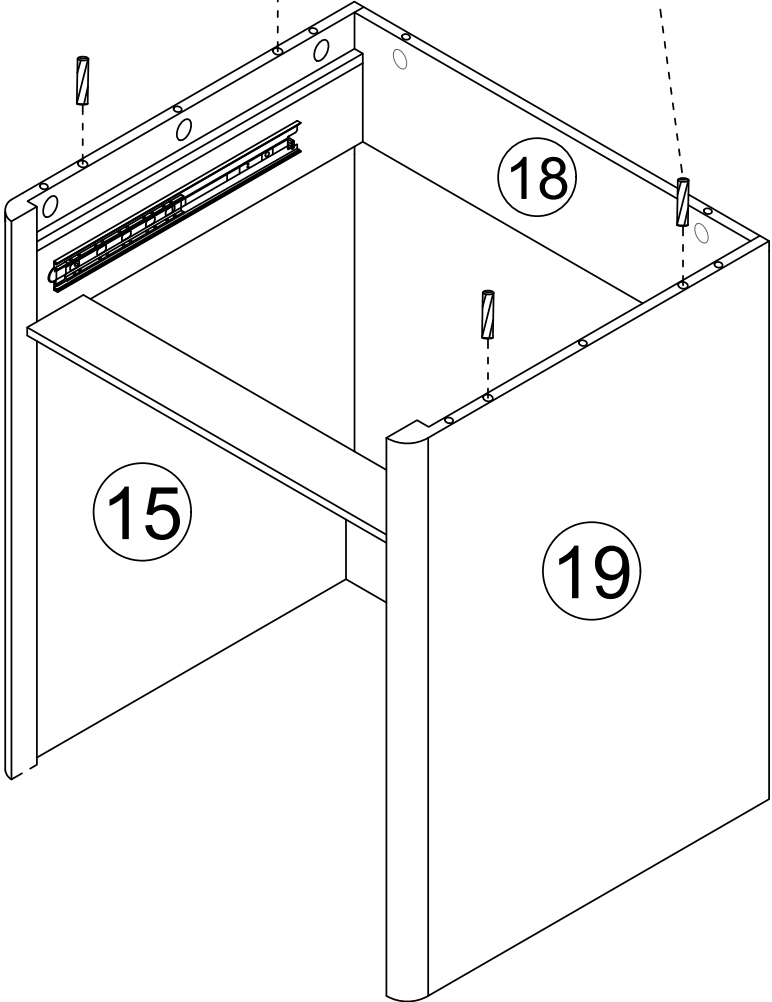


20

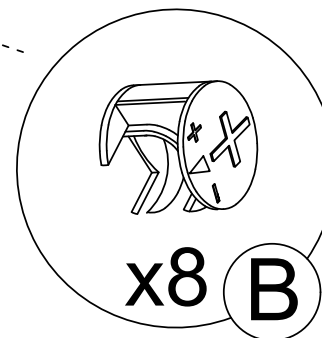
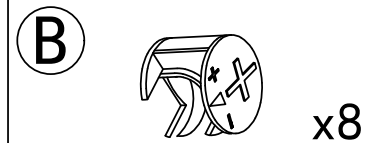
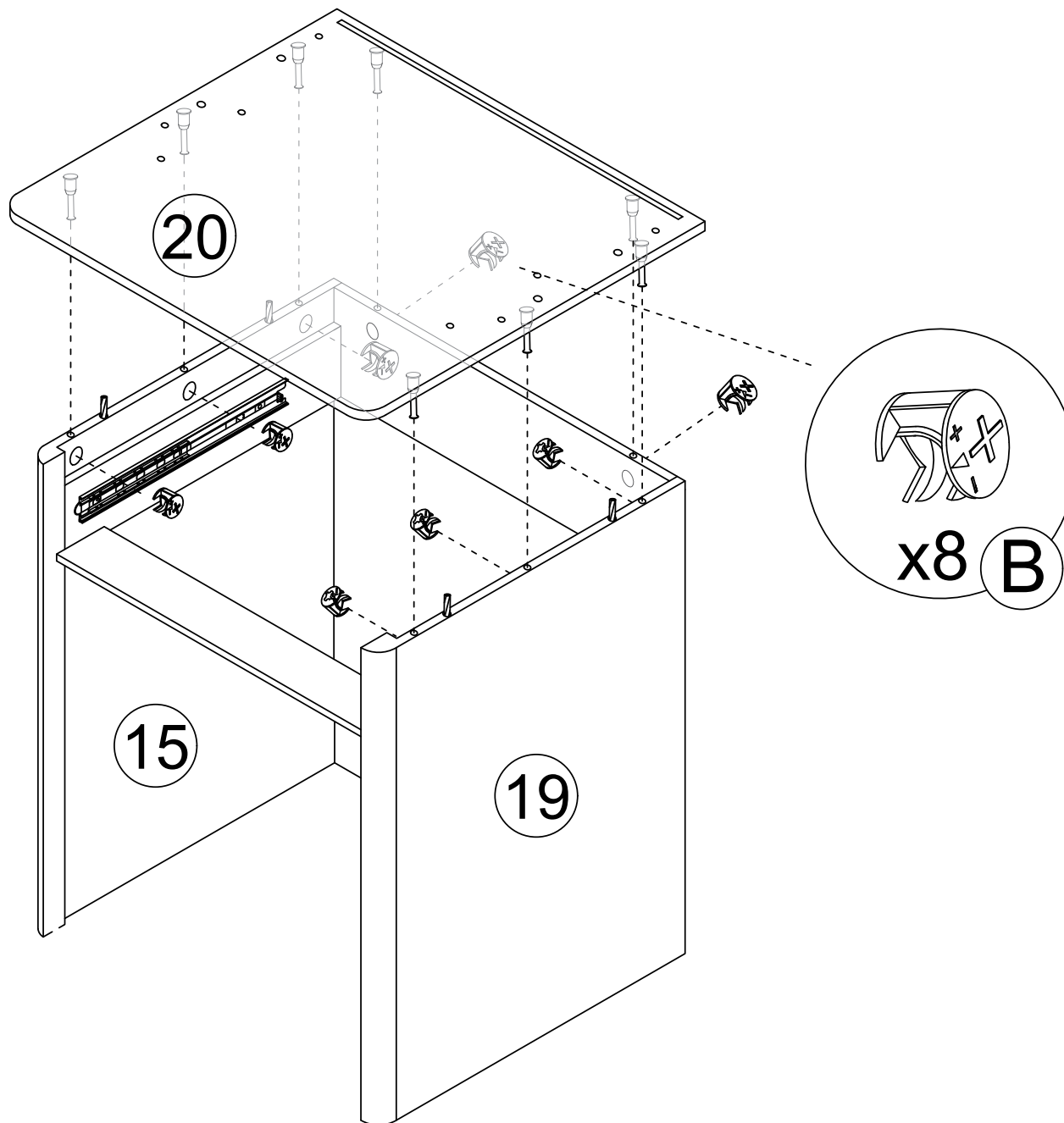
Step 46

C  x4

C  x4

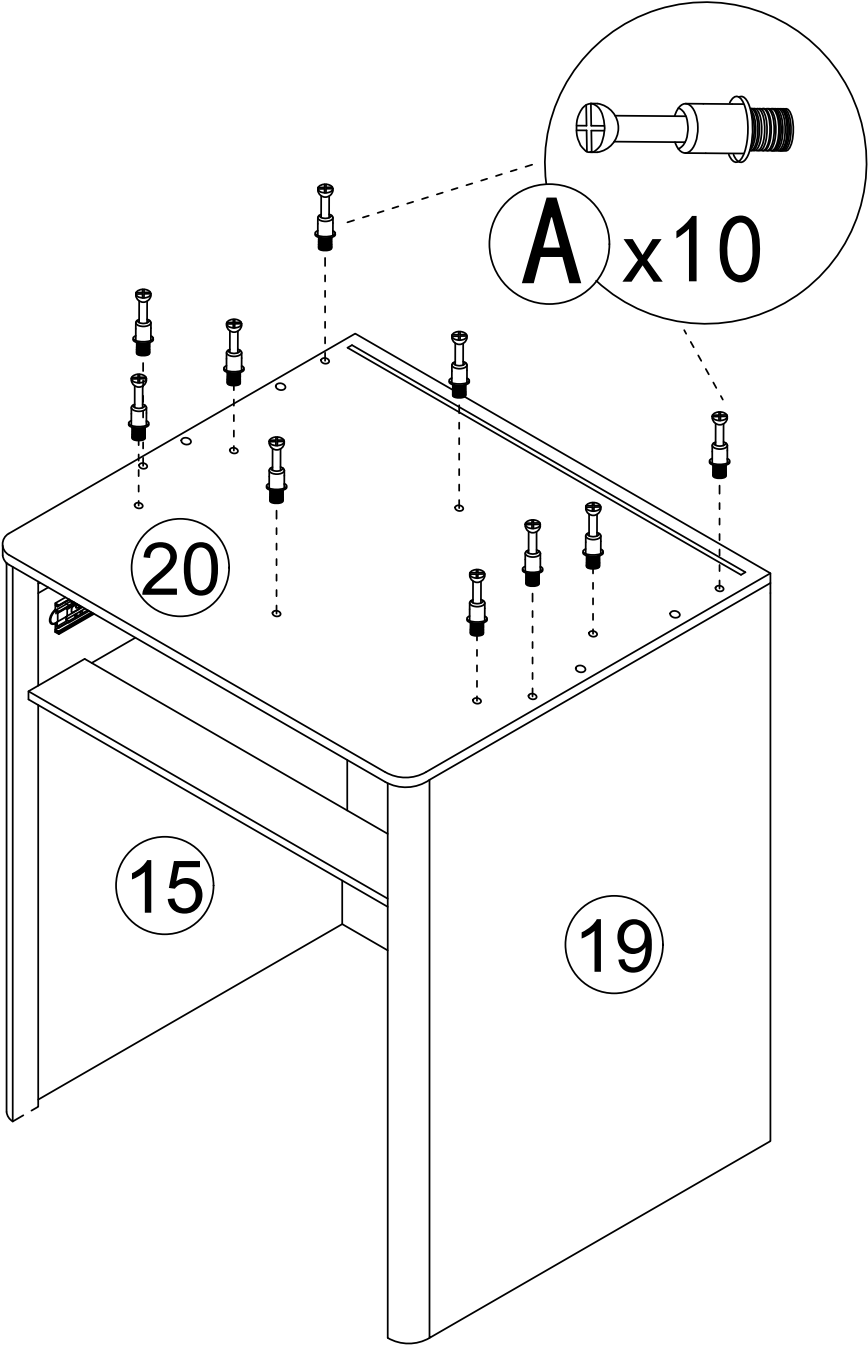
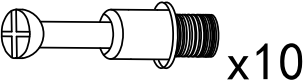


Step 47

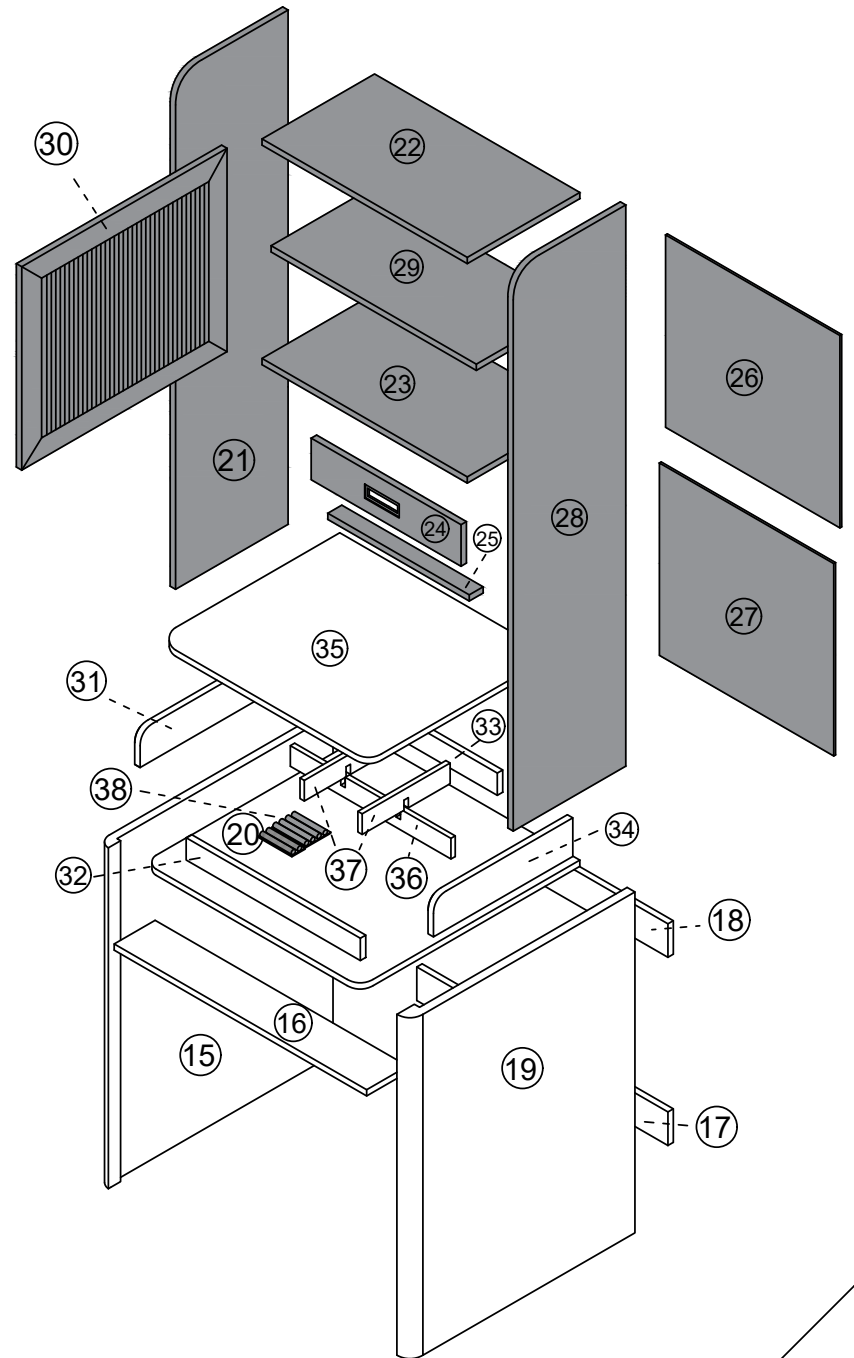
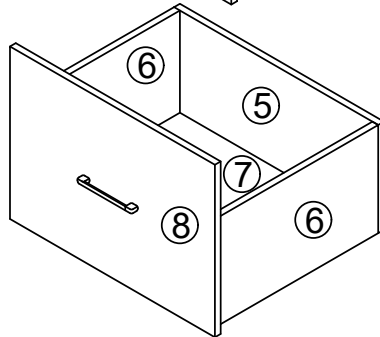
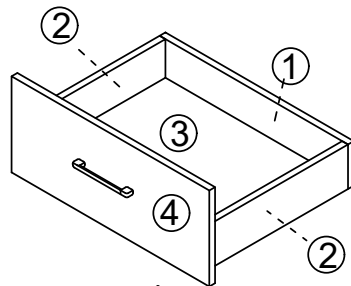
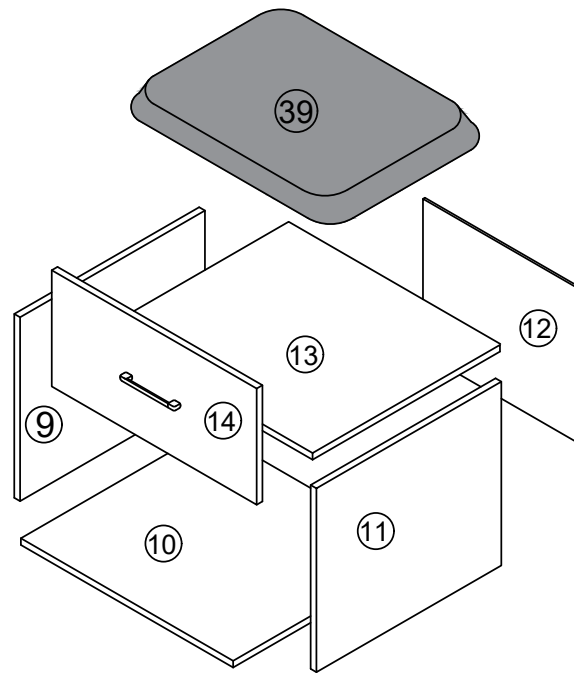


Step 48

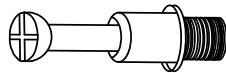
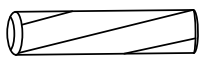
A

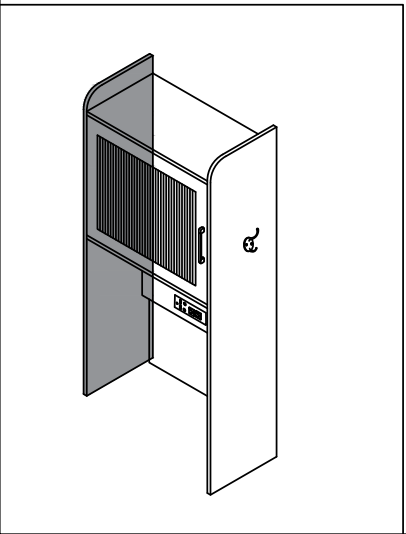
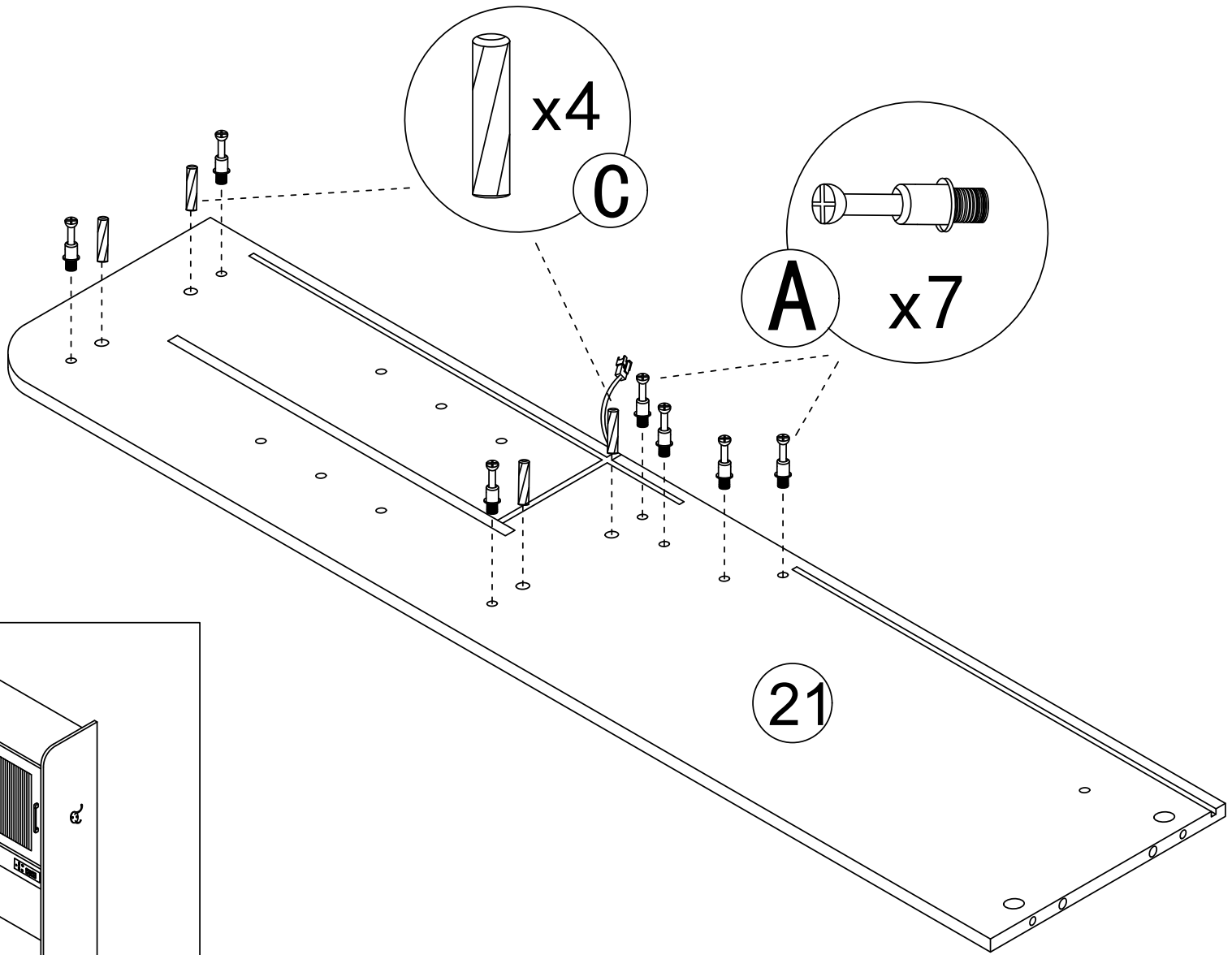


A		18pcs
B		22pcs
C		12pcs
D		2pcs 1pcs
F		2pcs 1pcs
G		2pcs 1pcs
H		4pcs 2pcs
I		2pcs 1pcs
K		8pcs
M		4pcs

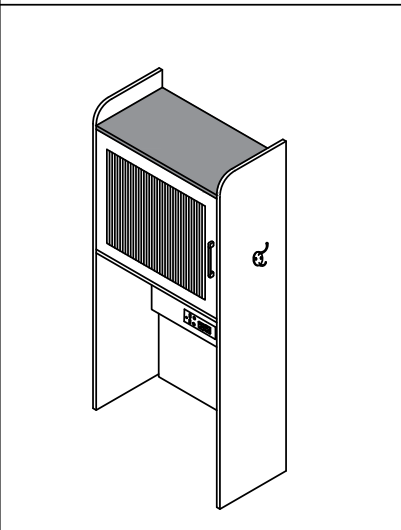
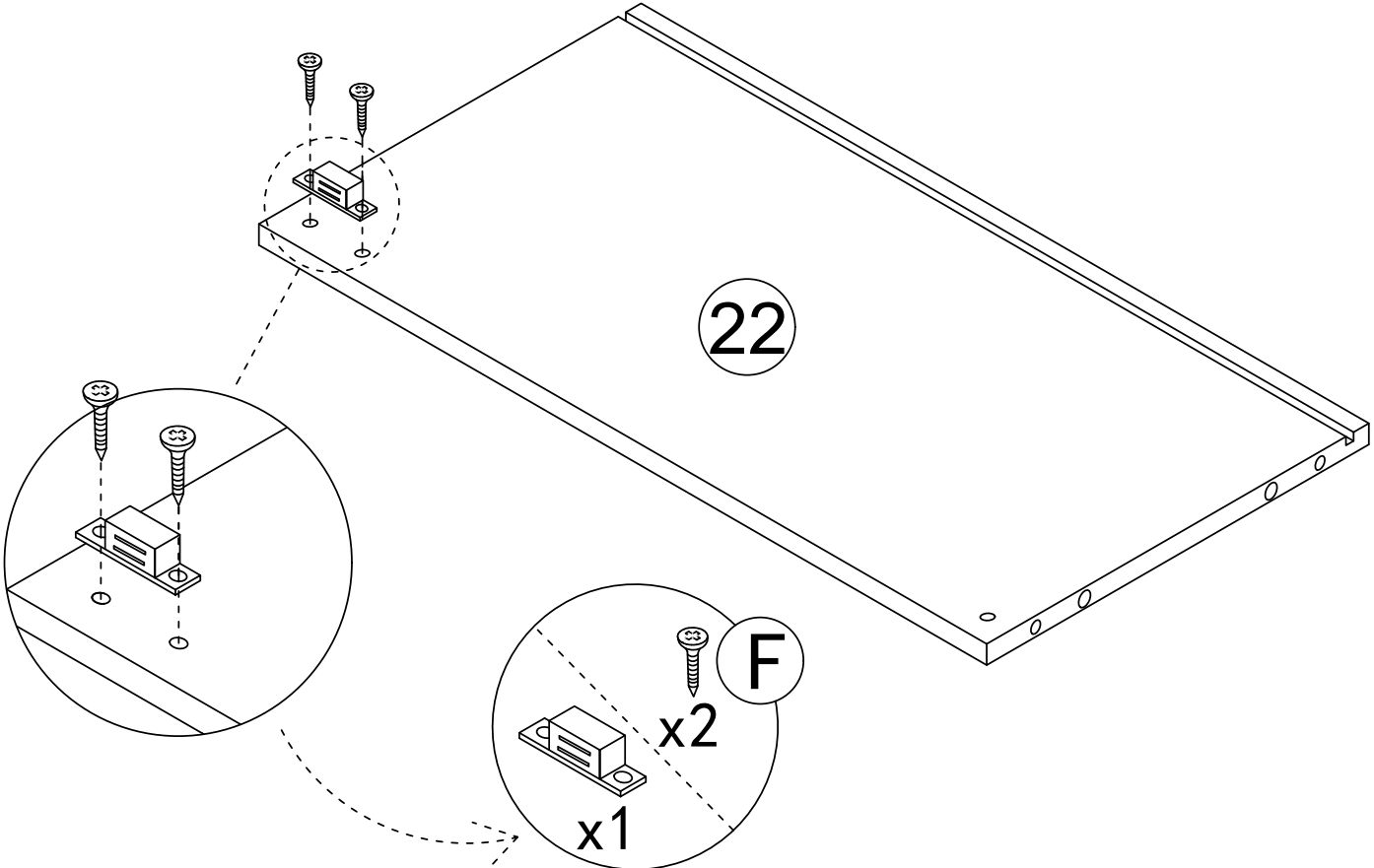
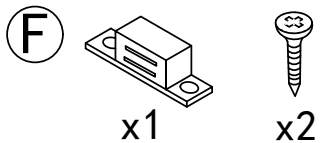


Step 49

- A  x7
- C  x4



Step 50

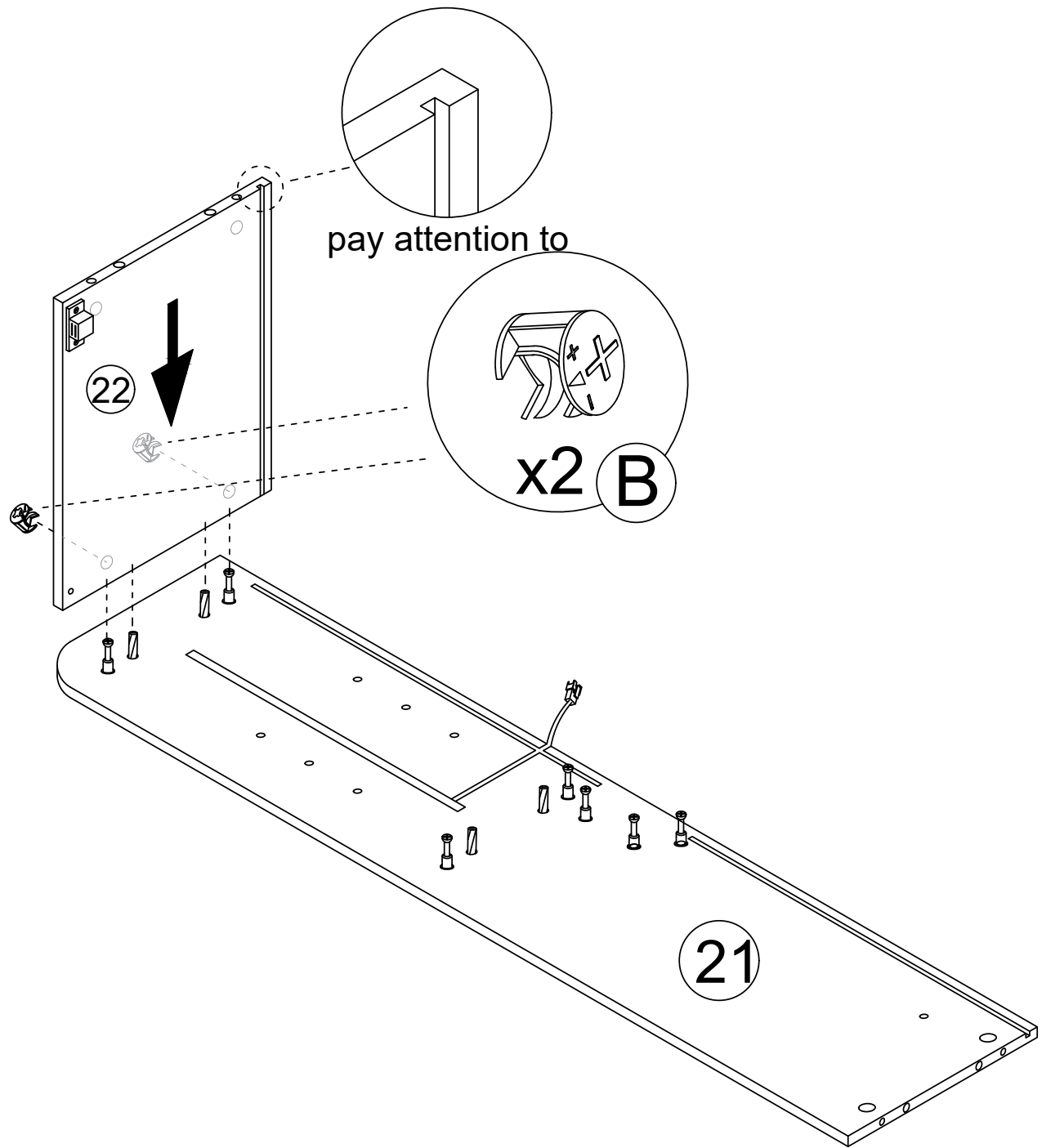


Step 51

B

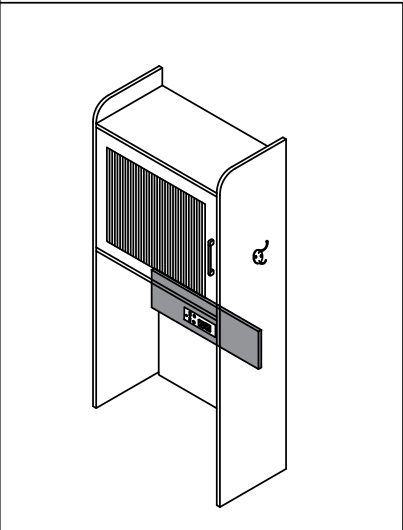
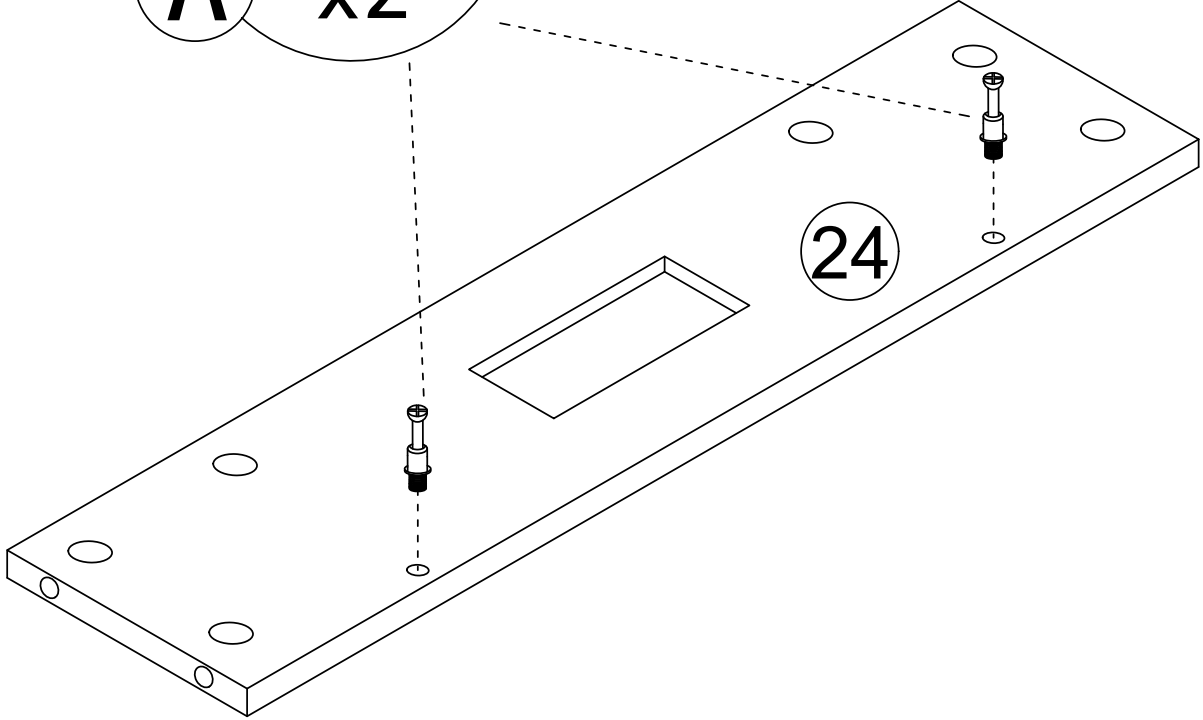
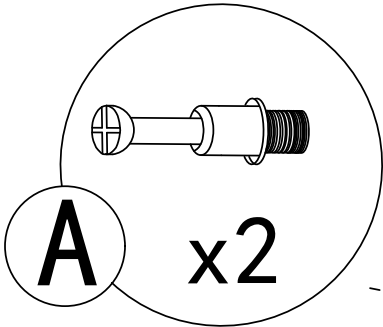
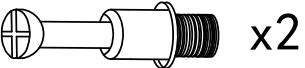


x2



Step 52

A

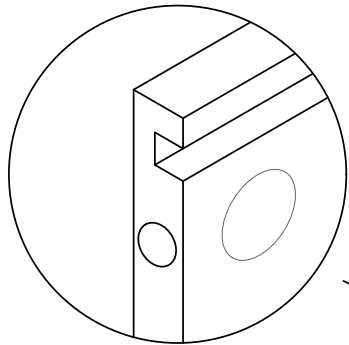


Step 53

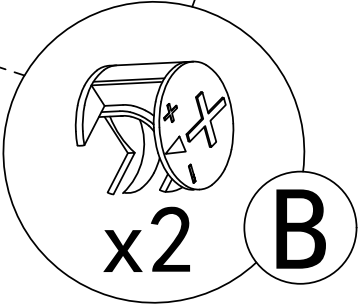
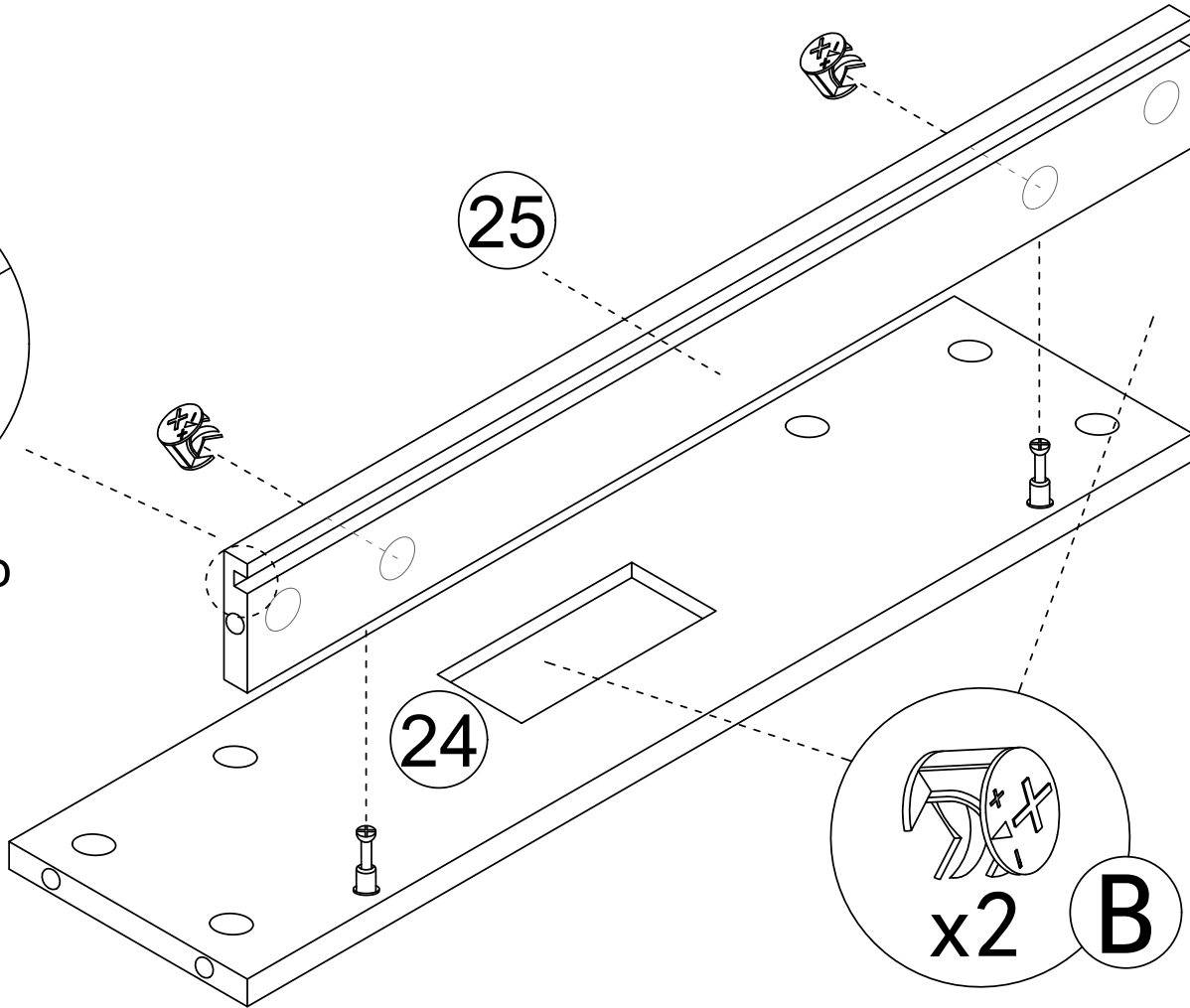
B



x2

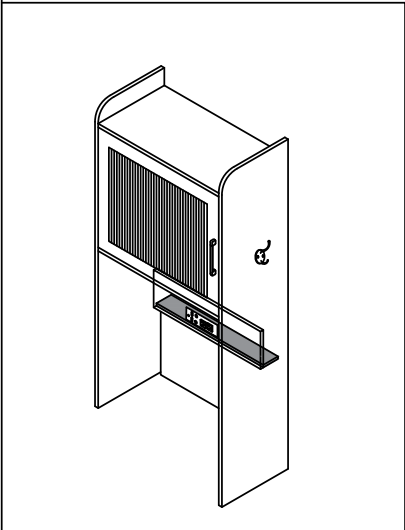


pay attention to



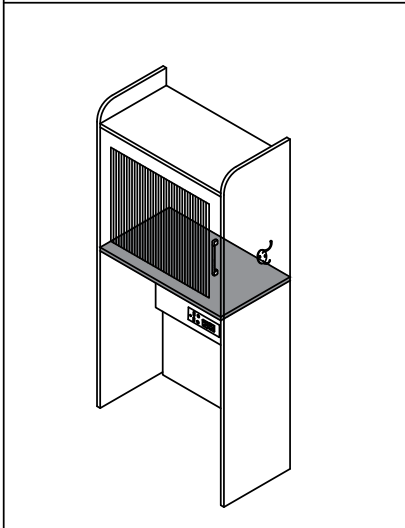
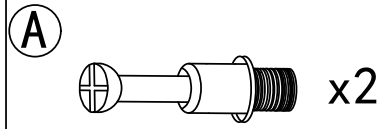
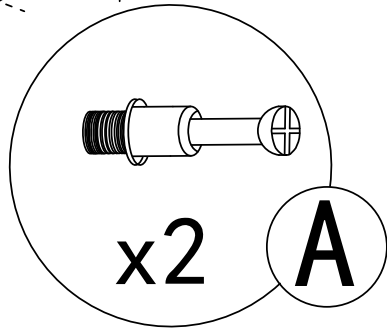
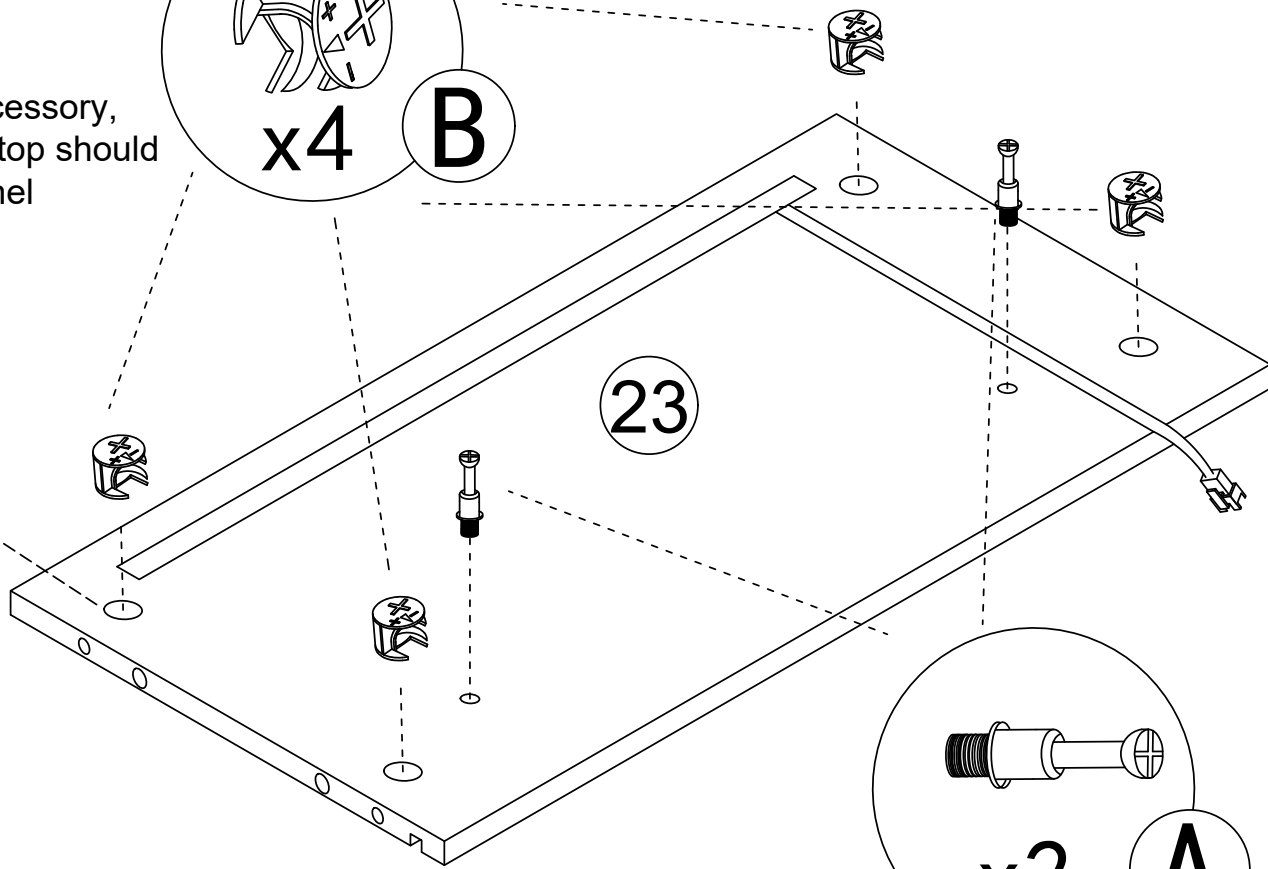
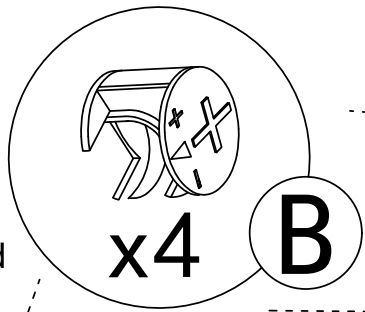
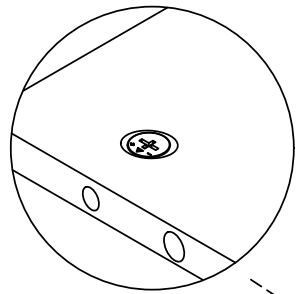
x2

B



Step 54

Number B hardware accessory, the triangular shape on top should face the edge of the panel

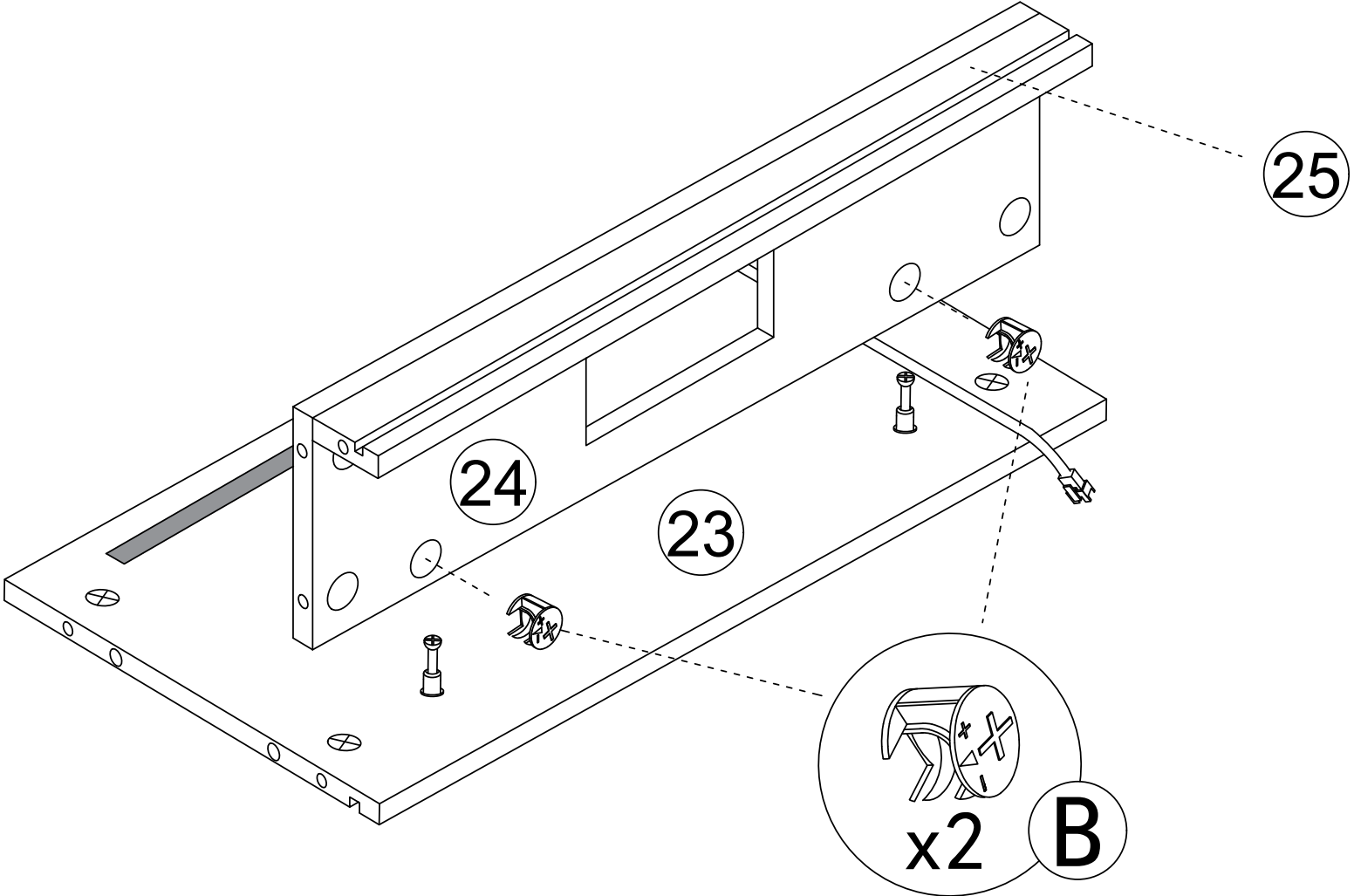


Step 55

B

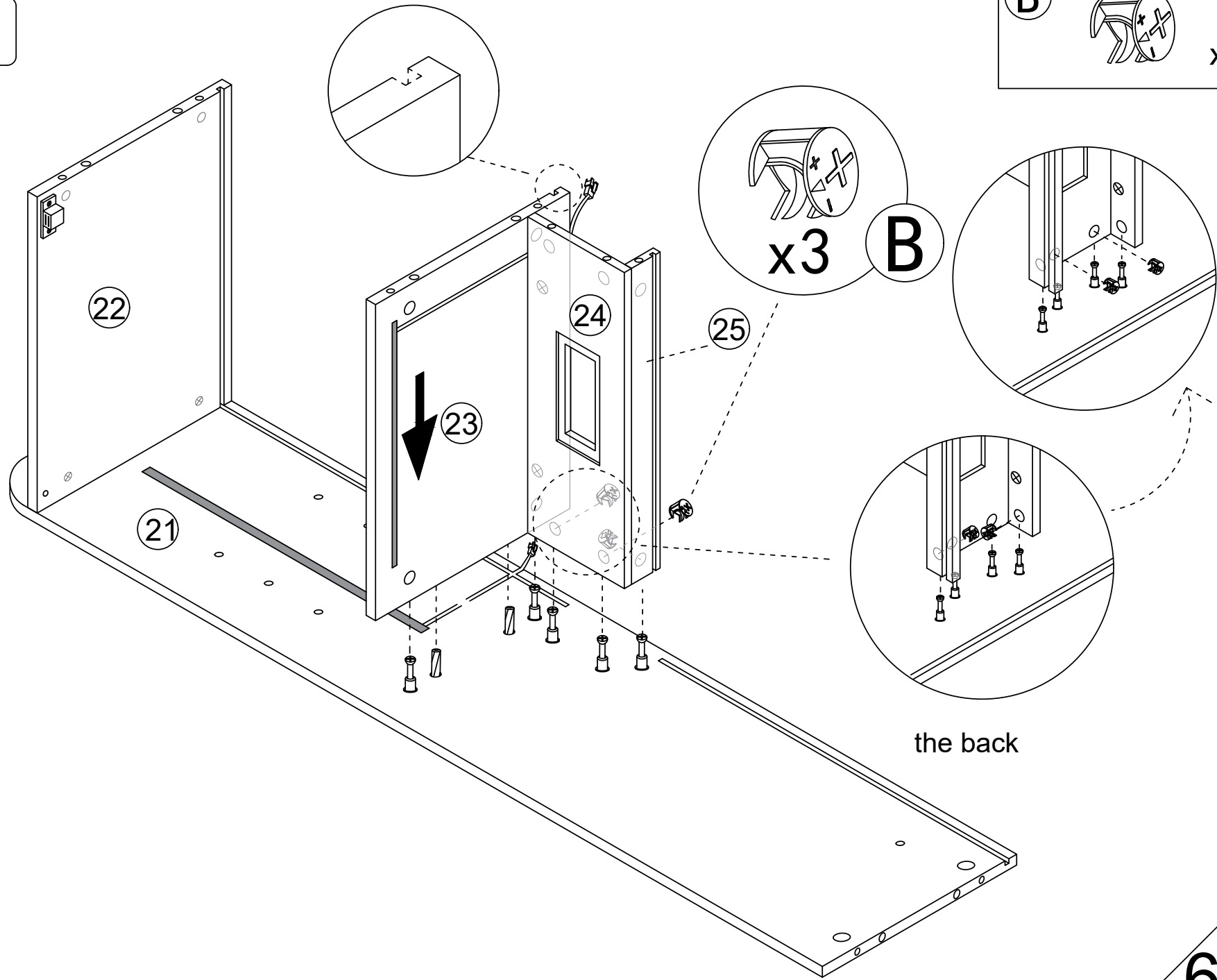


x2




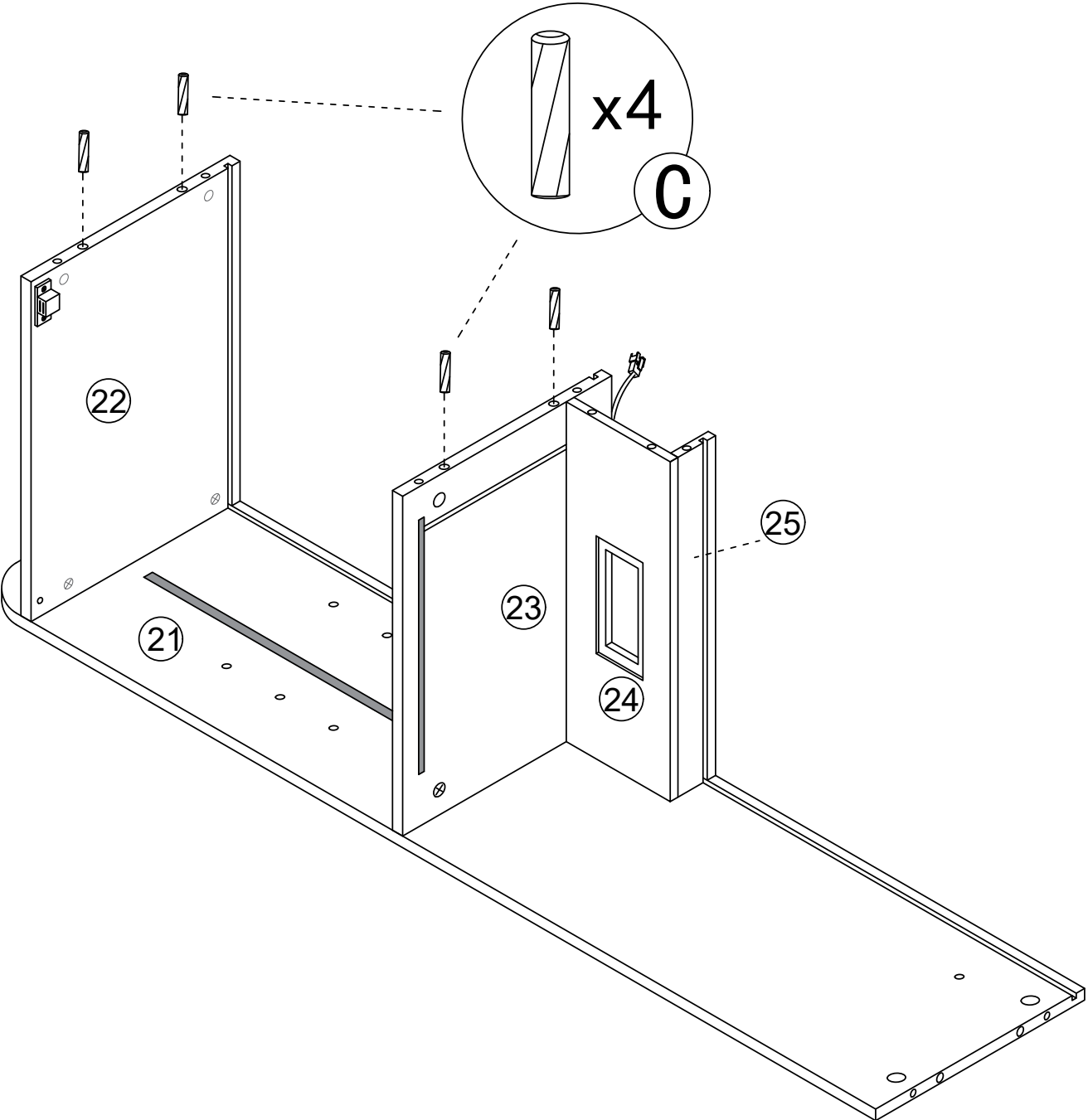
Step 56

B  x3

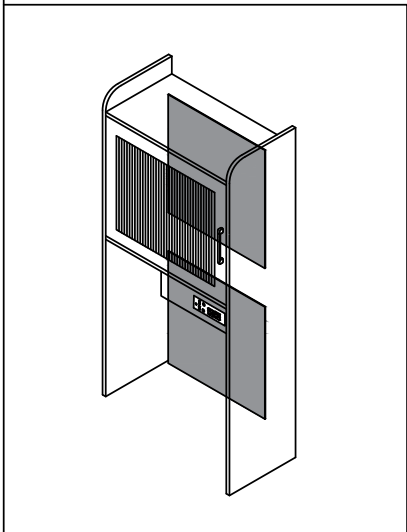
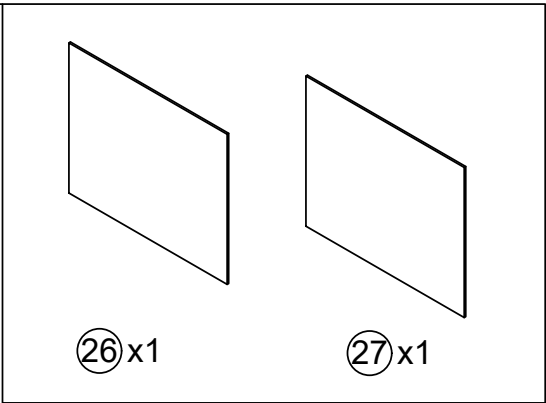
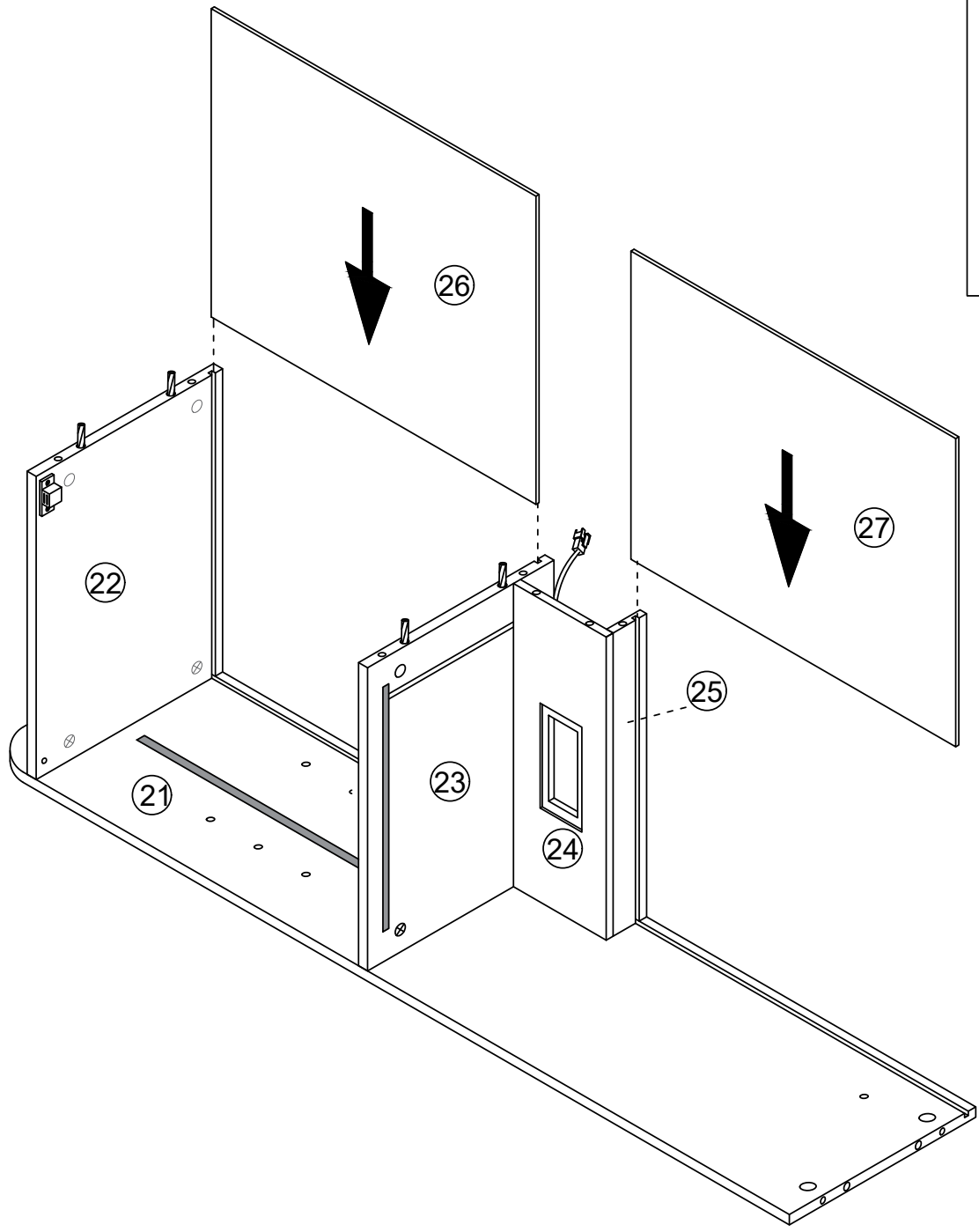


Step 57

C  x4

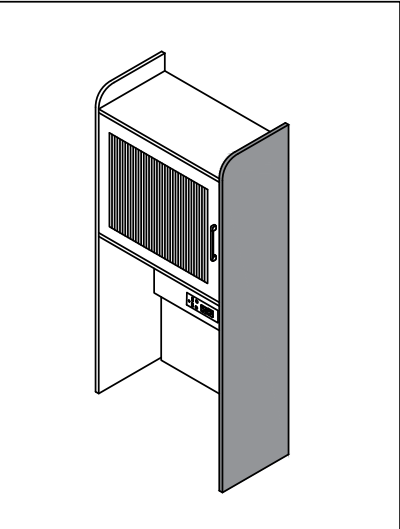
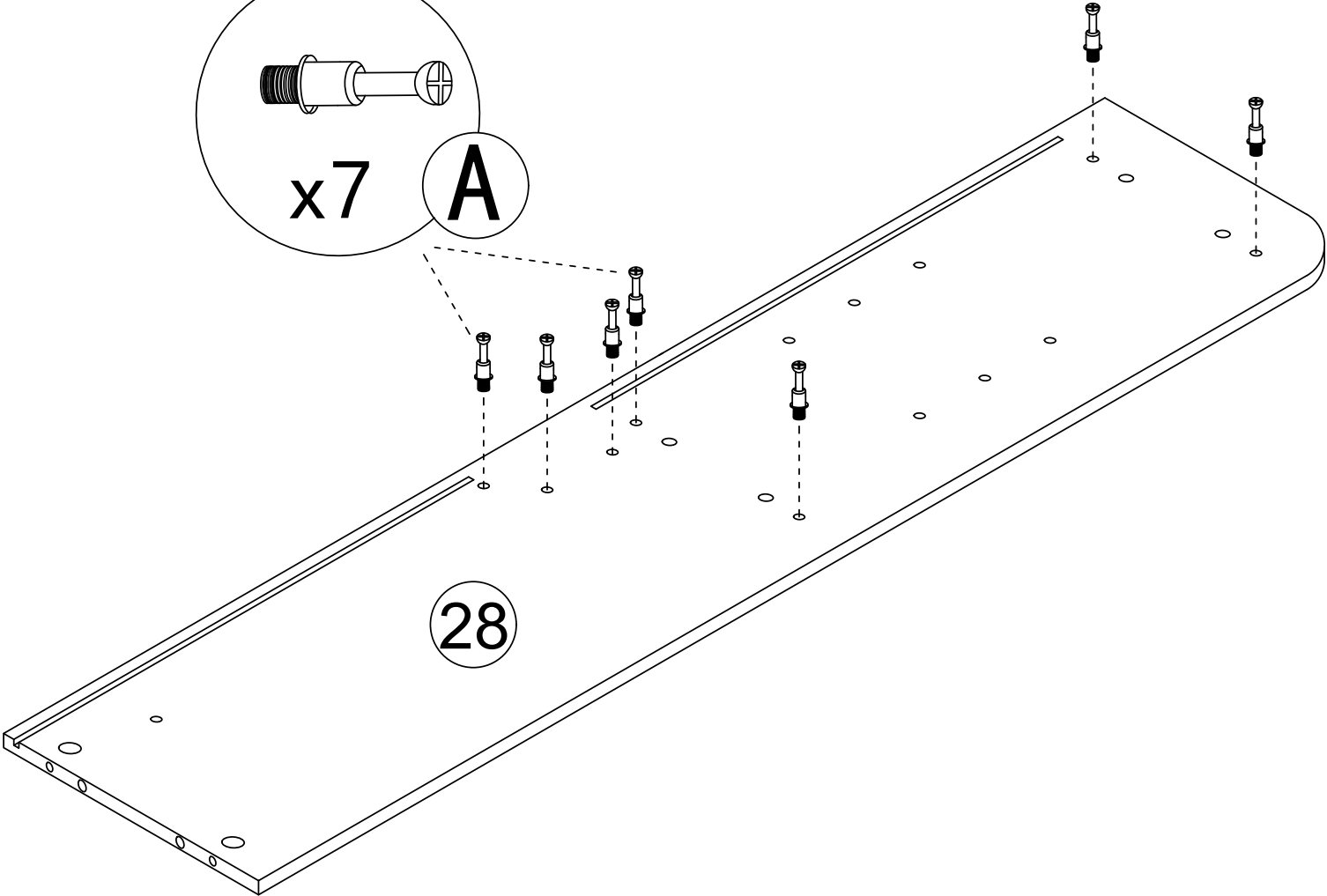
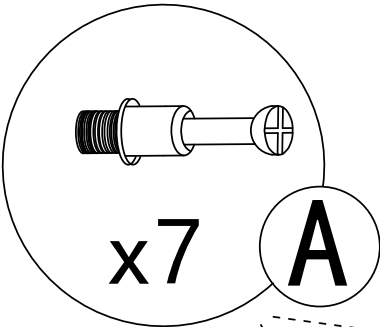


Step 58



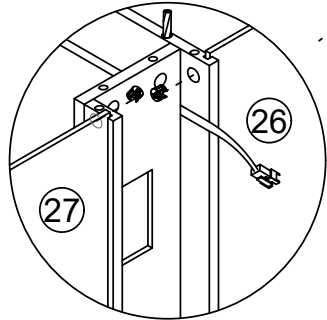
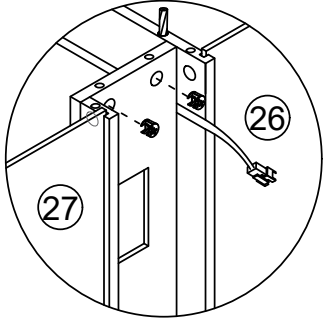
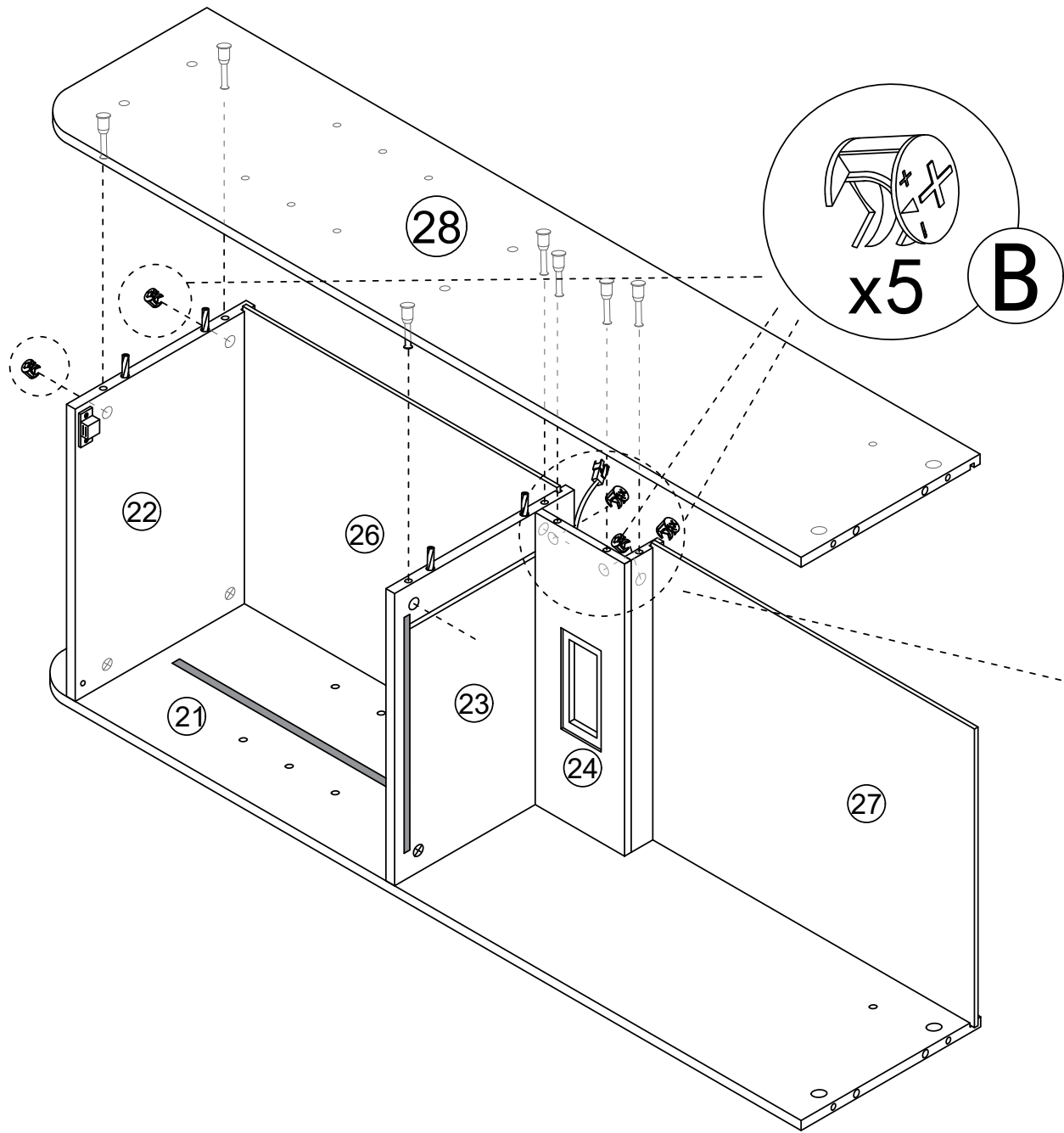
Step 59

A



Step 60

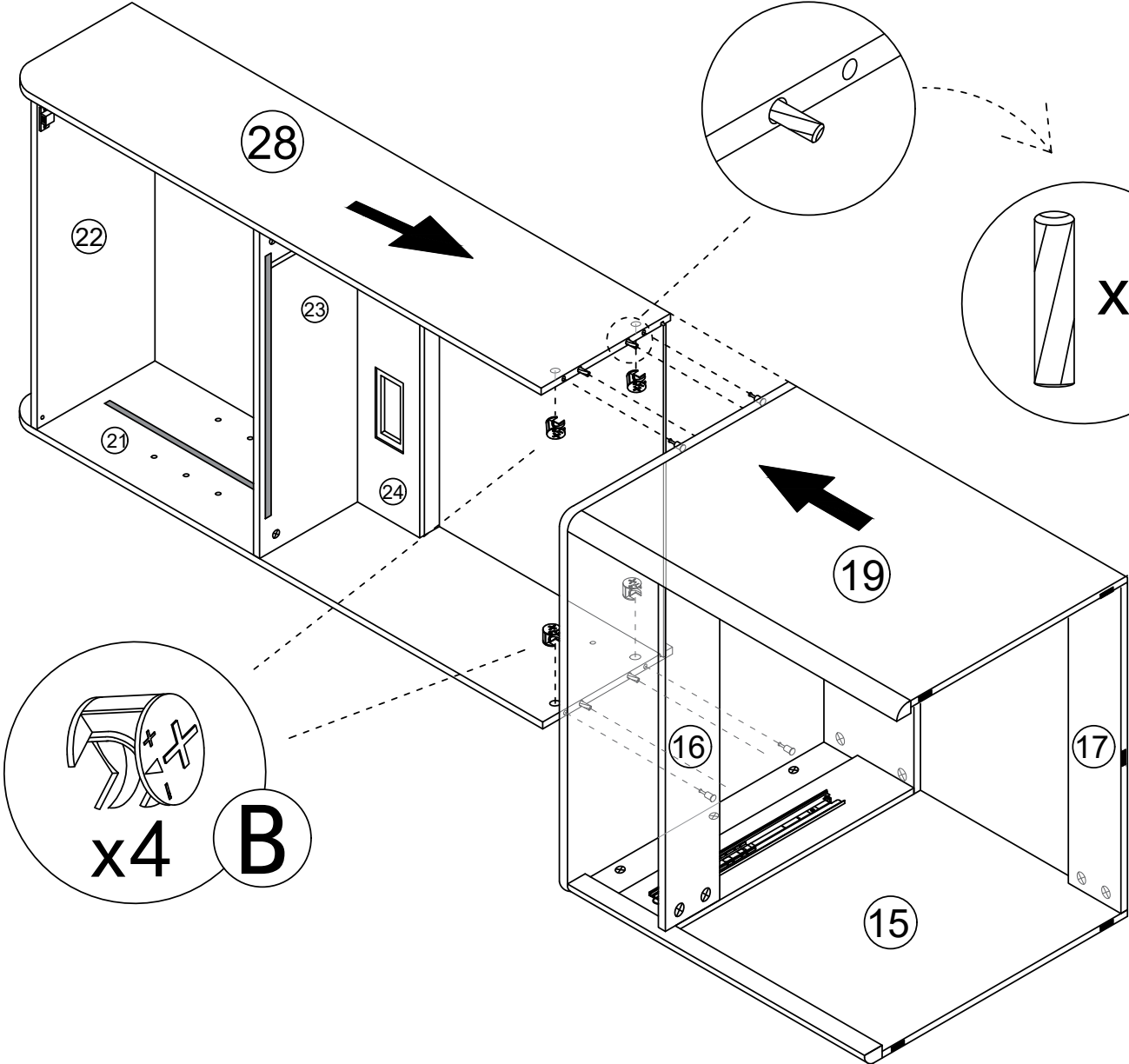
B  x5



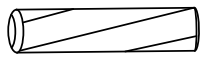
the back


Step 61

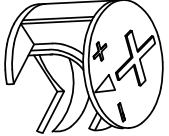
Install the wooden strip first



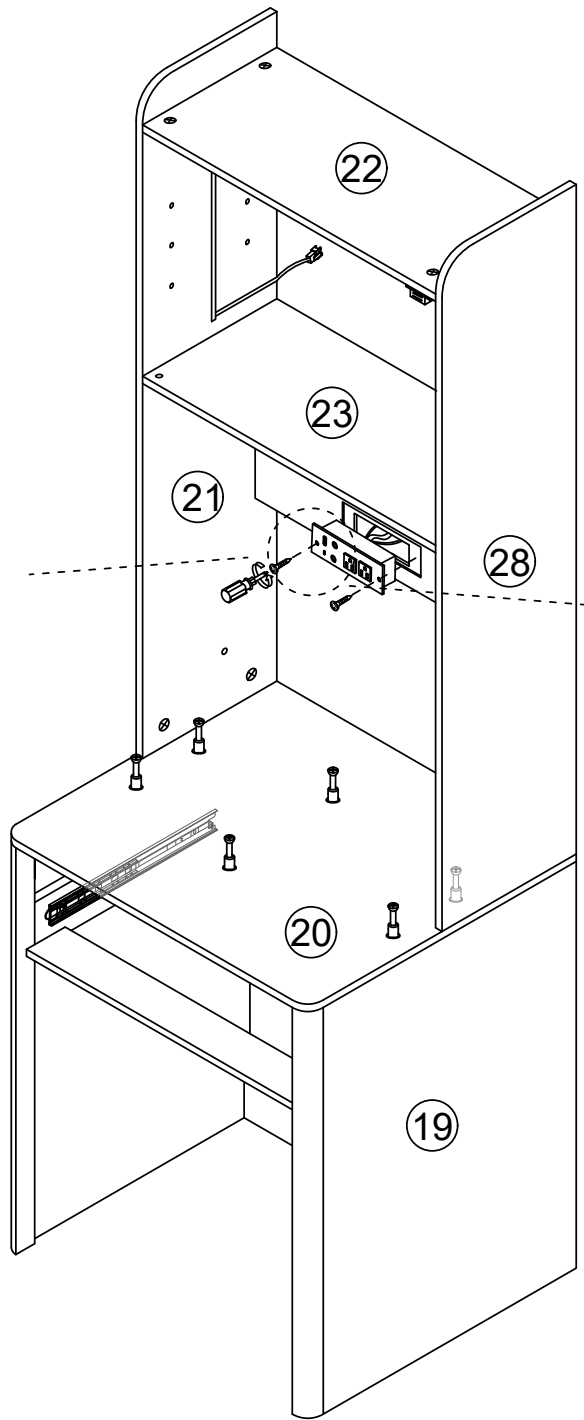
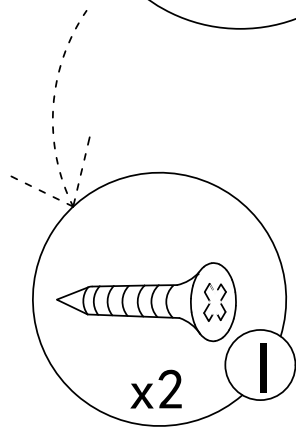
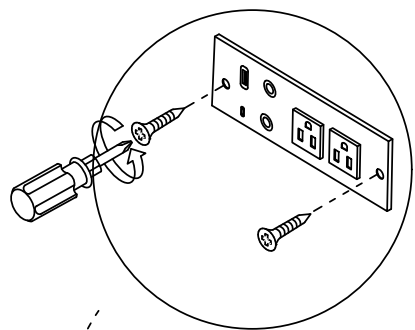
B  x4

C  x4

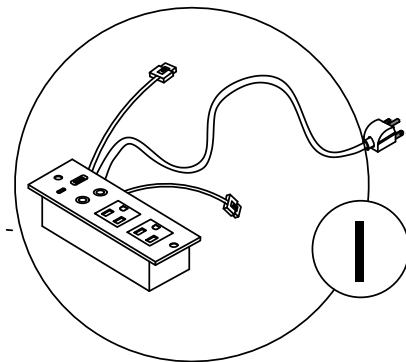
C  x4

B  x4

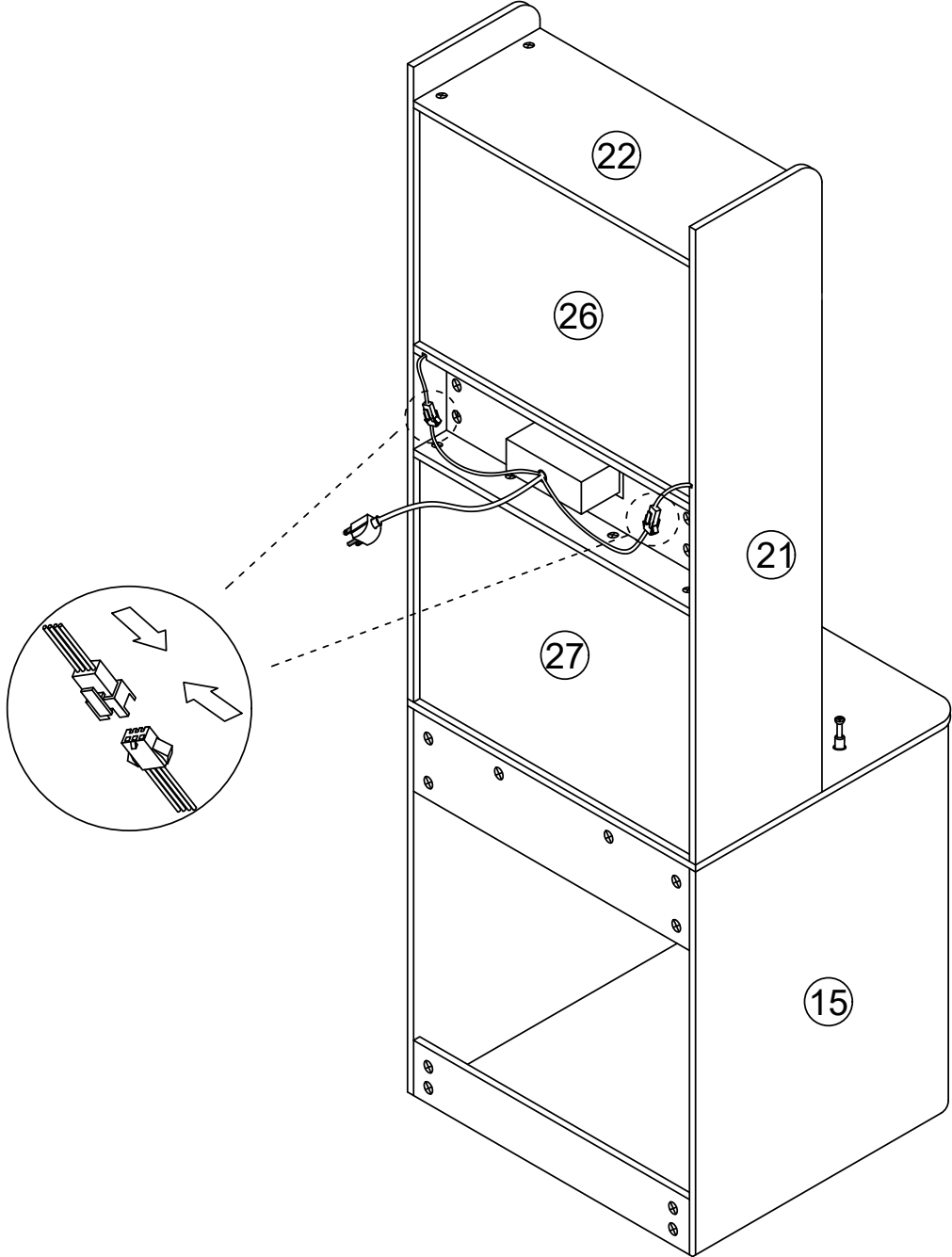
Step 62



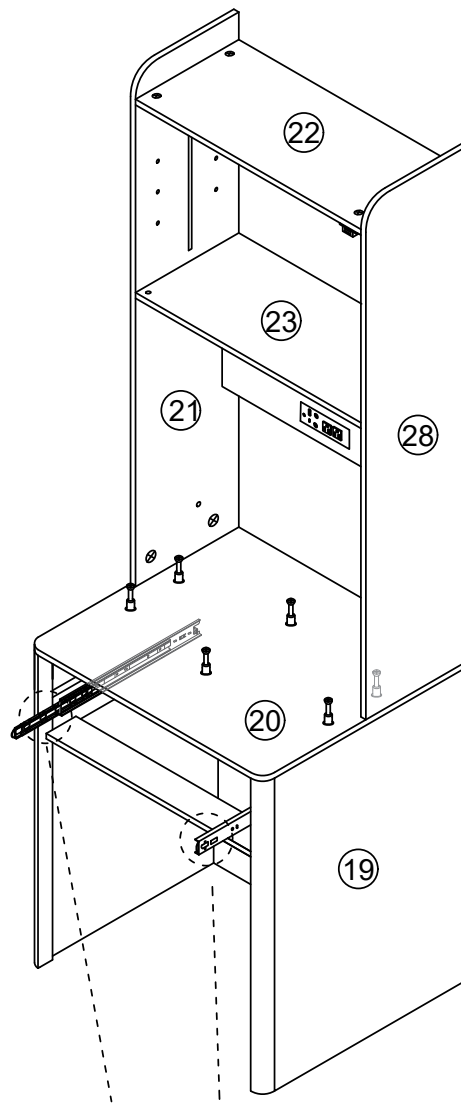
I		1pcs
		2pcs



Step 63

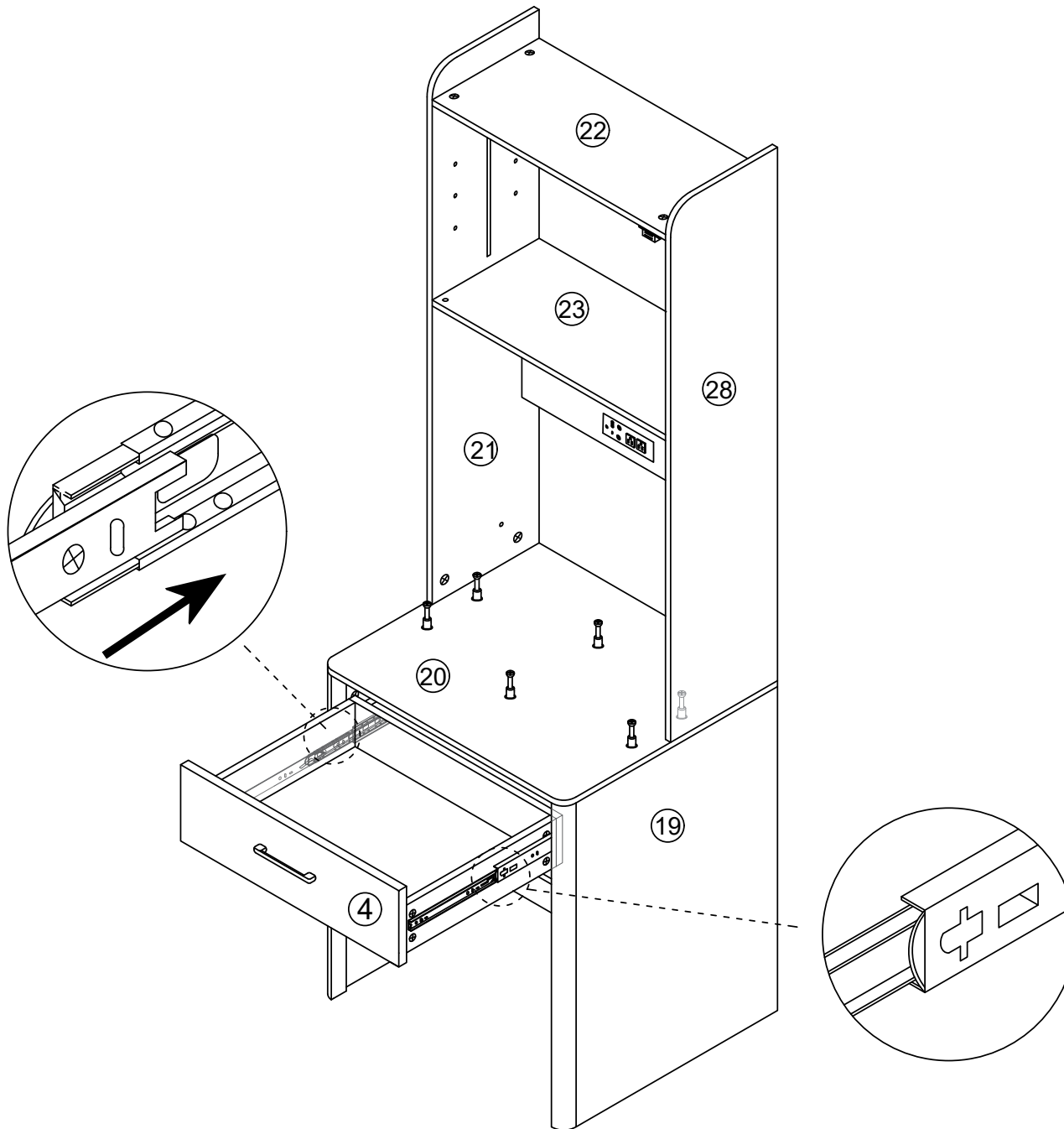


Step 64

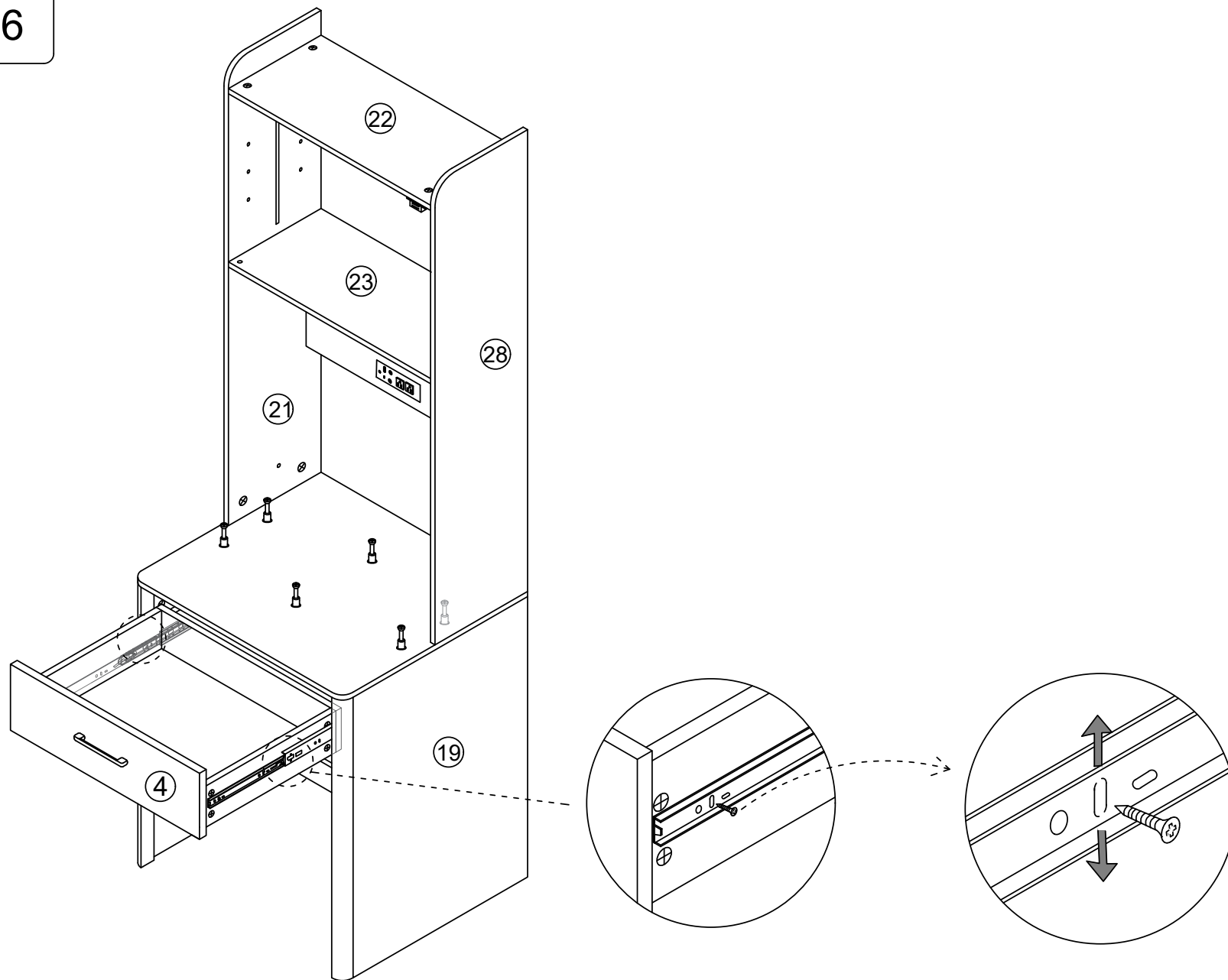


As shown, When installing the drawer,
pull the guide rail out first, Slide beads are also pulled out.

Step 65

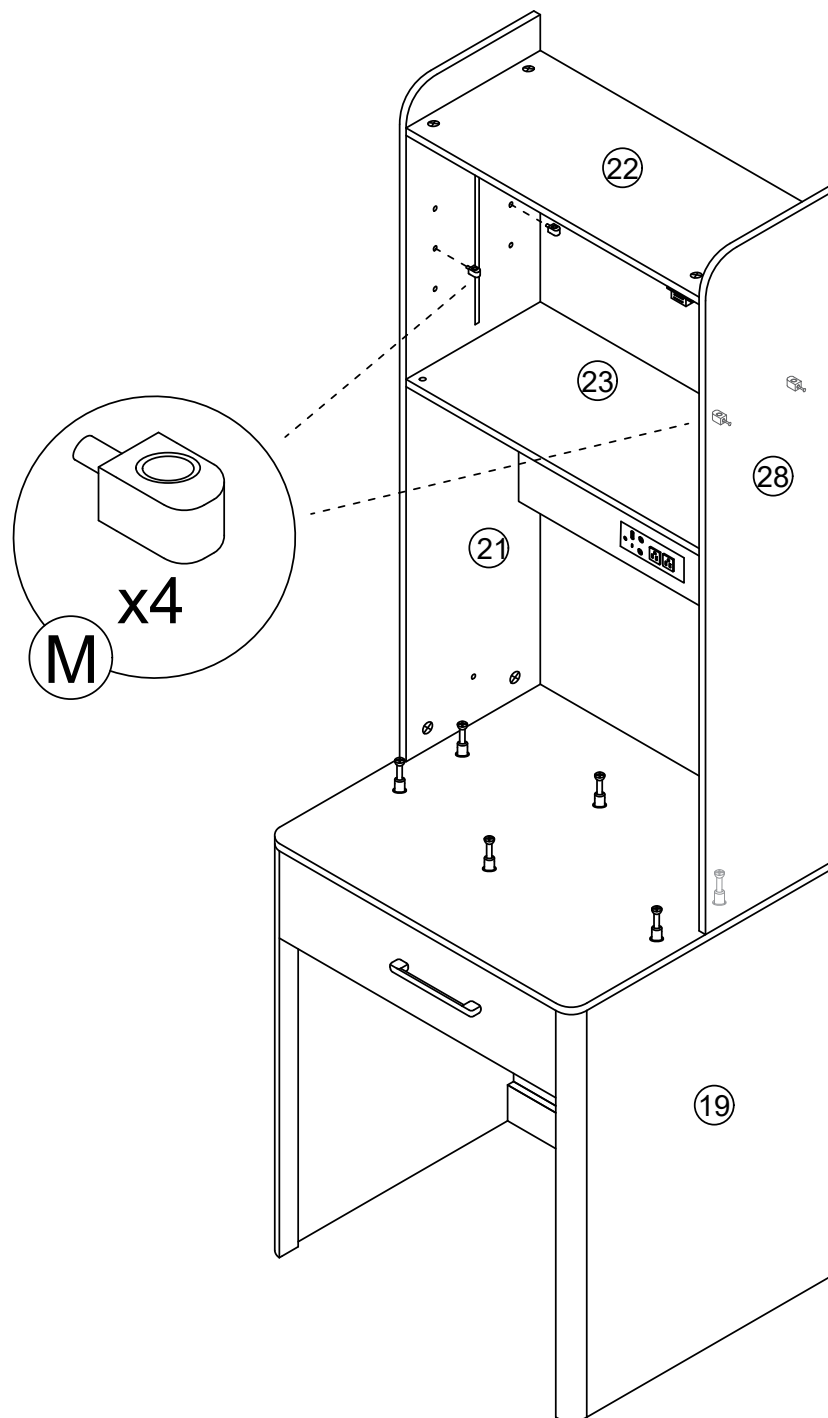


Step 66

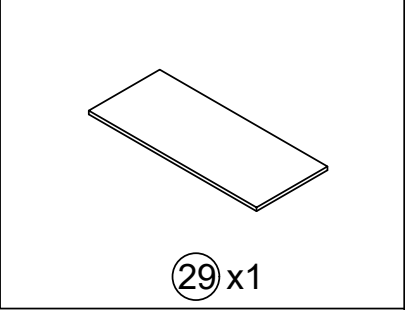
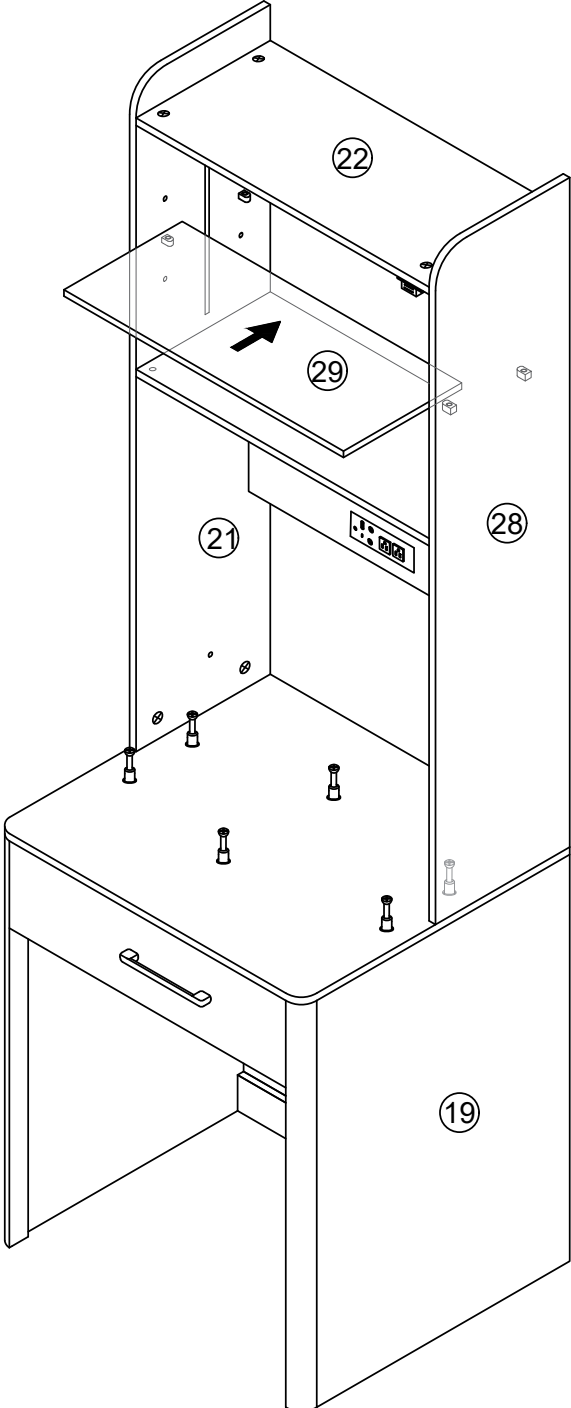


If a large gap is found after installing the drawer the slide rail can be moved up and down to adjust the gap



Step 67

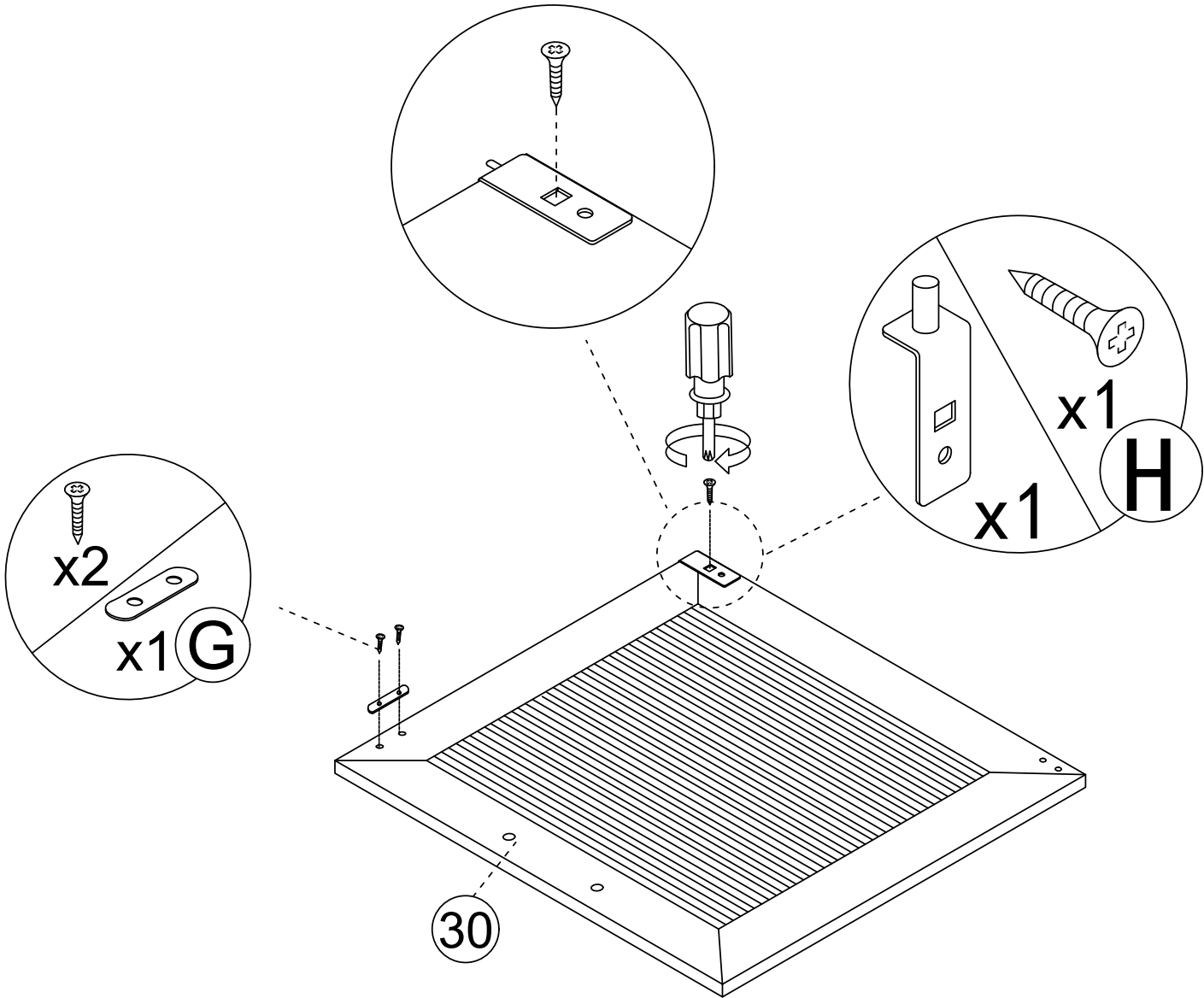


Step 68



Step 69

- | | |
|----------------|---|
| H
x1 | 
x1 |
| G
x1 | 
x2 |

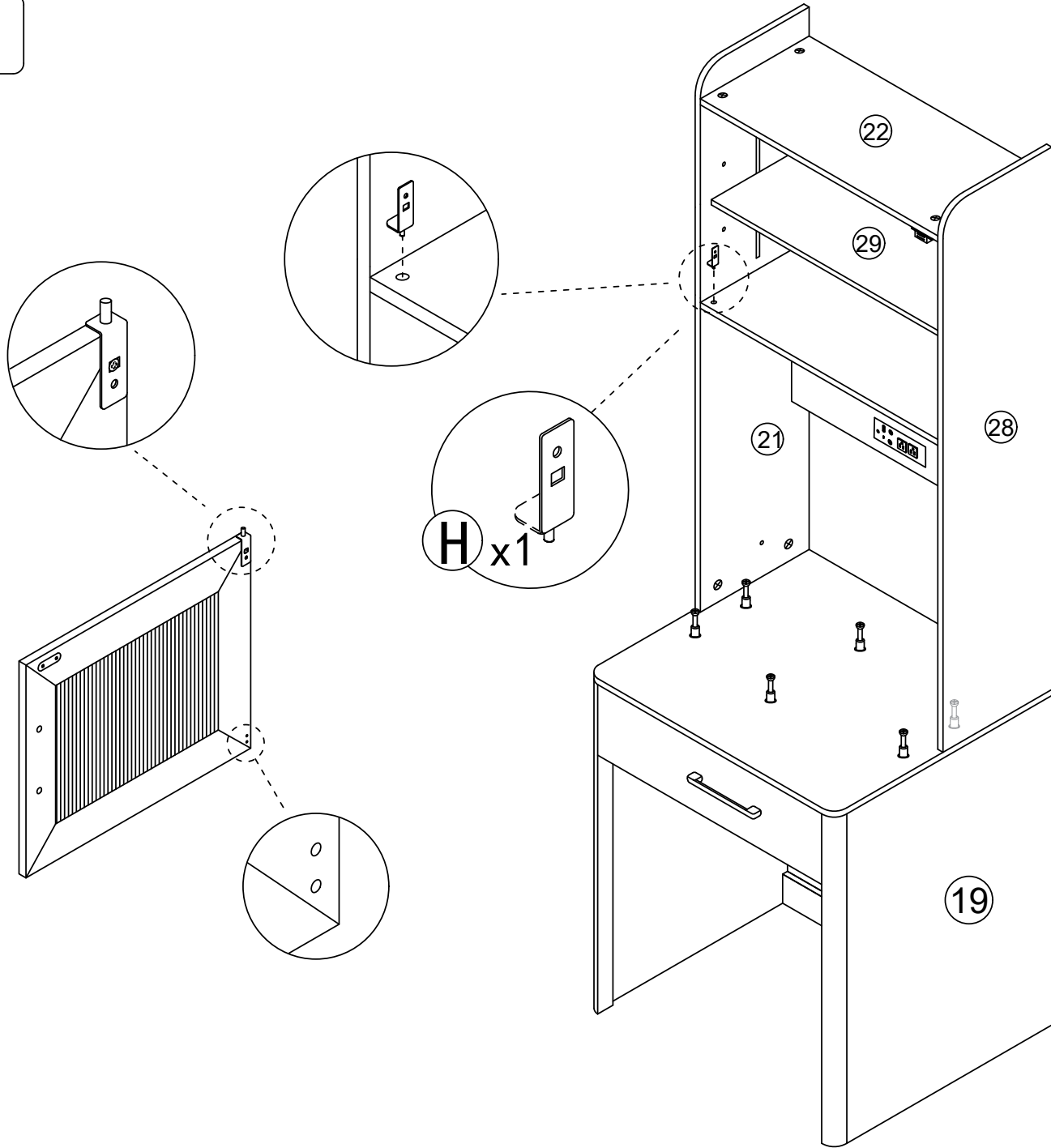


Step 70

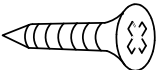
H

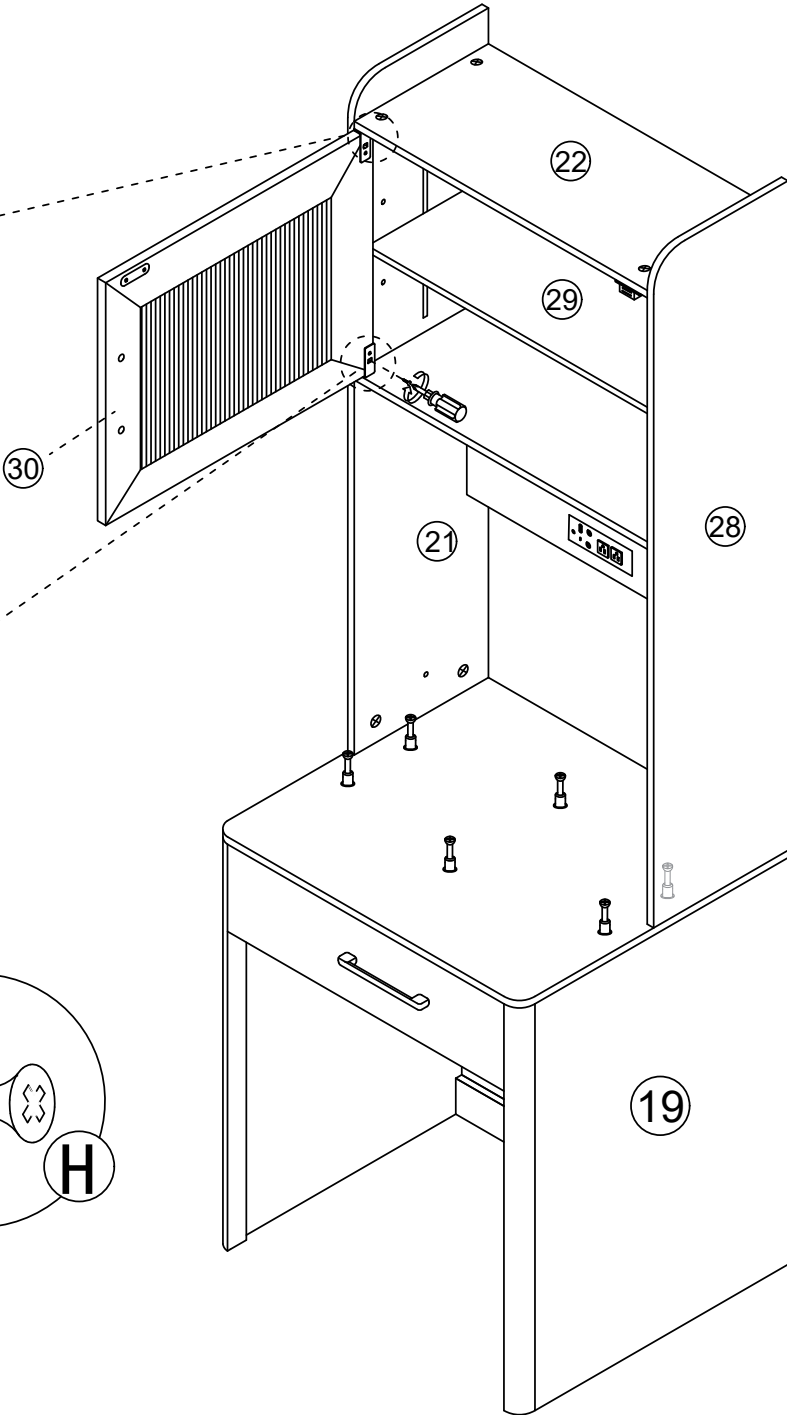
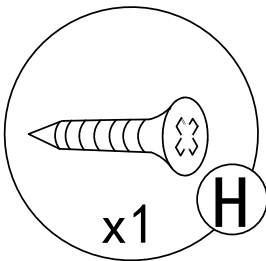
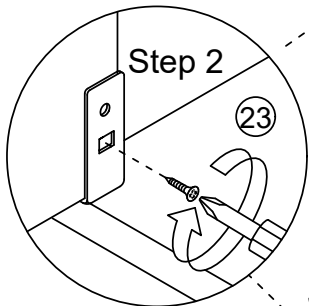
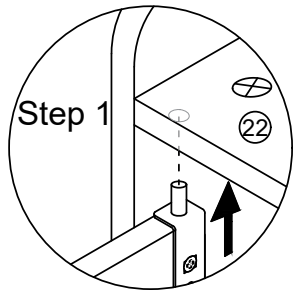


x1

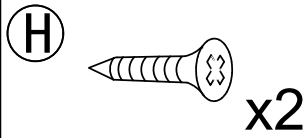


Step 71

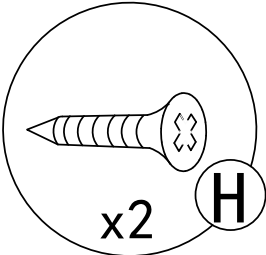
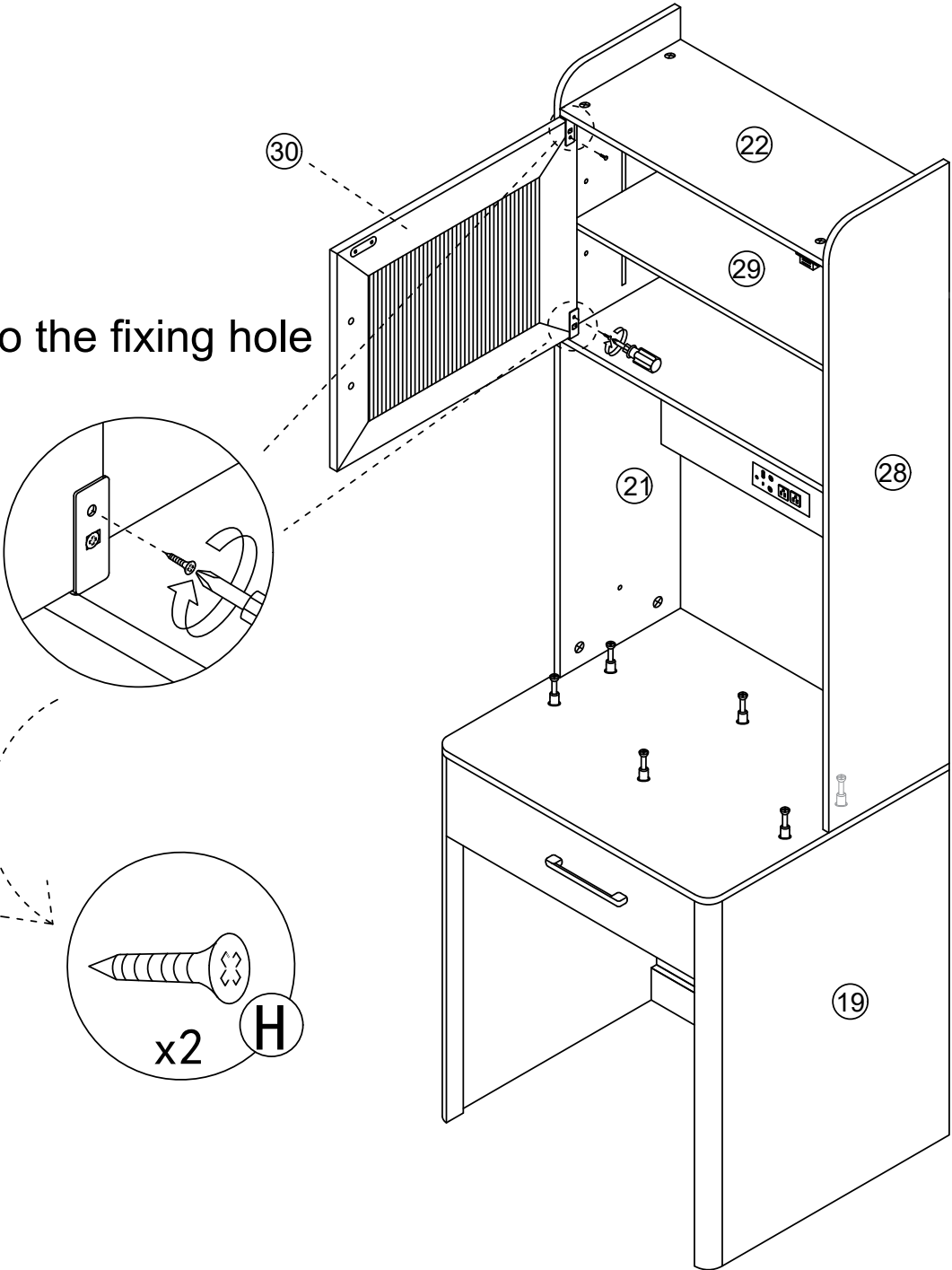
H  x1



Step 72

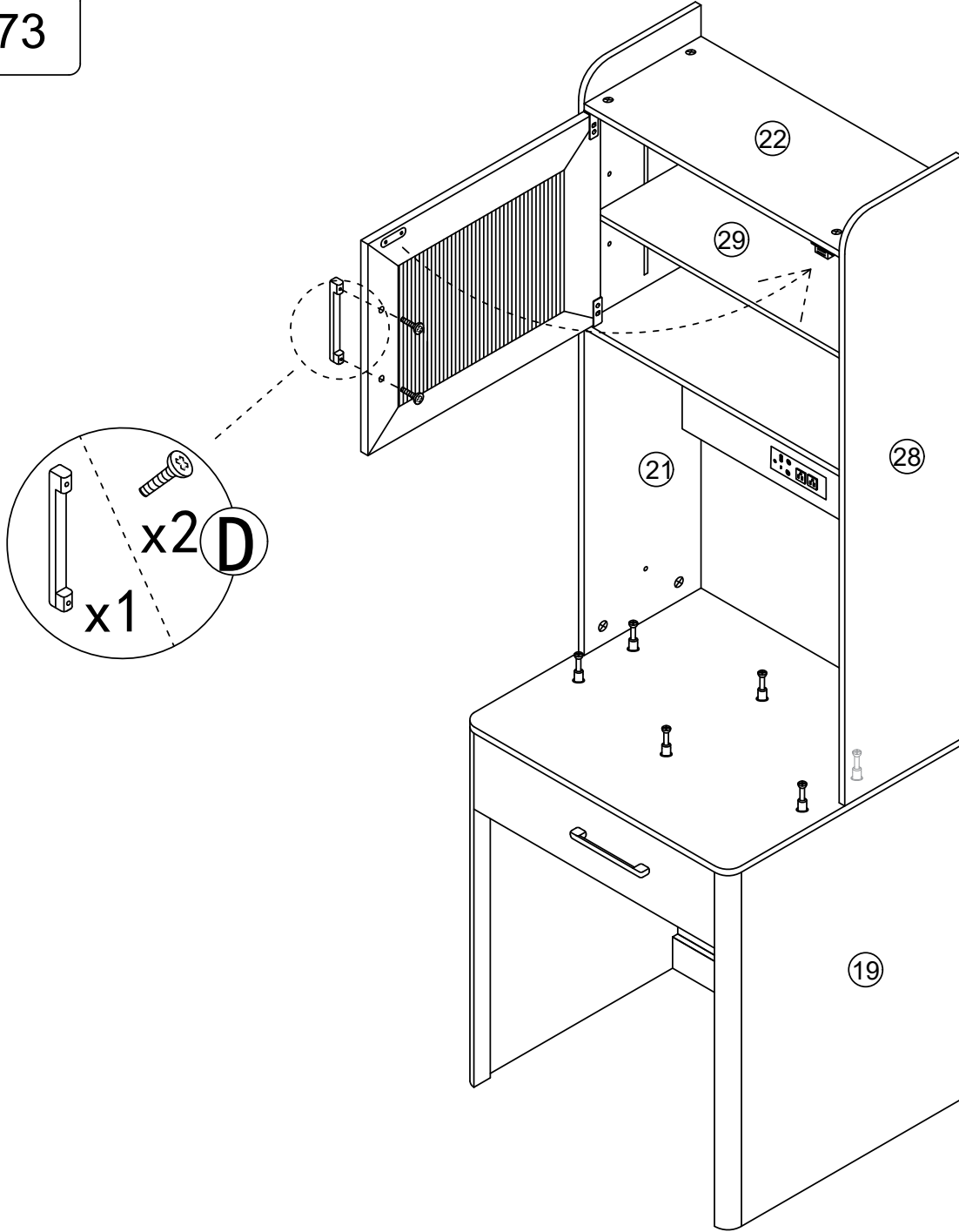


Tighten the screw into the fixing hole

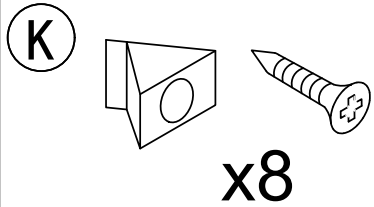
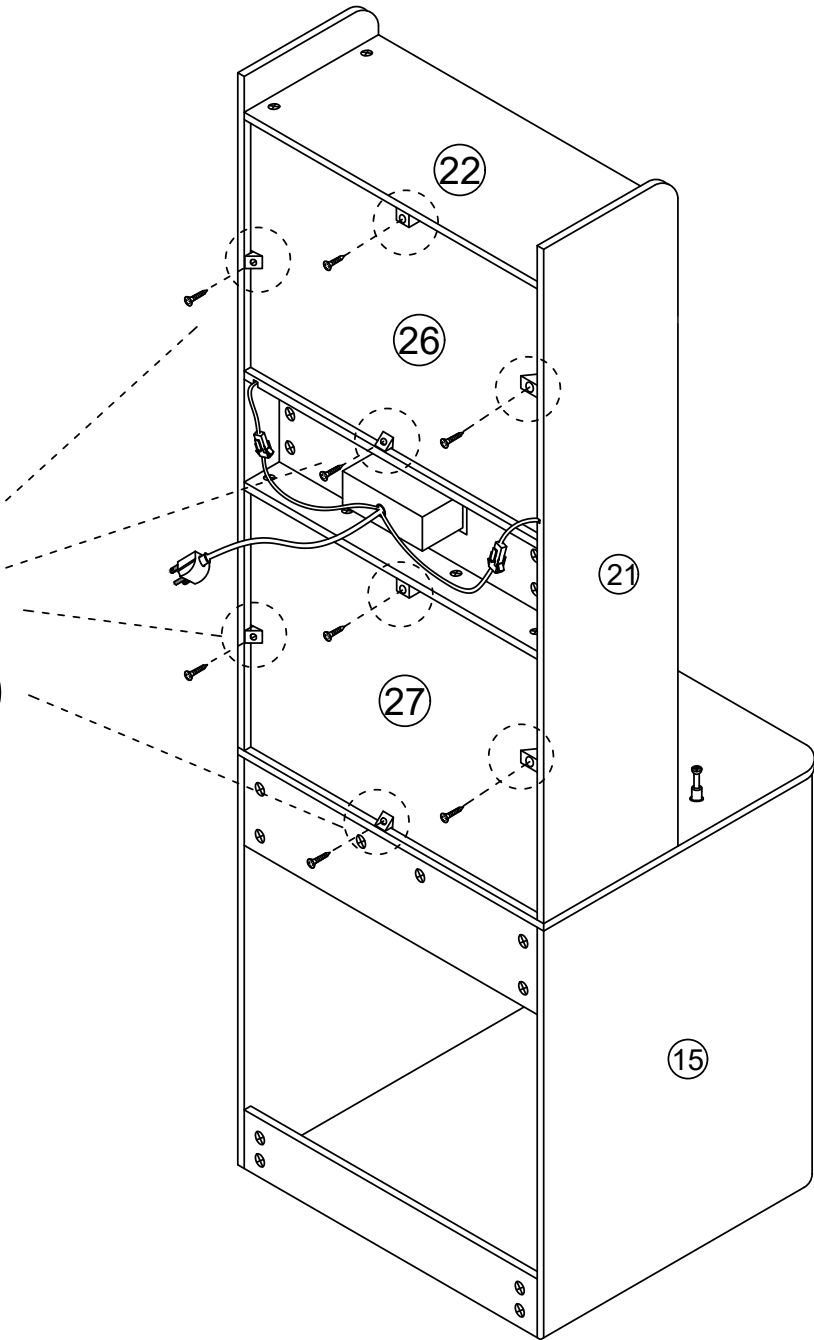
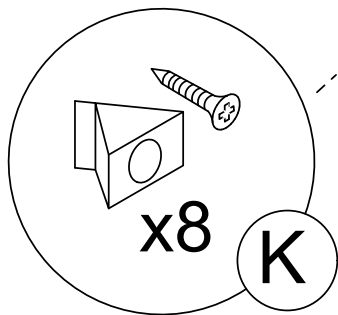


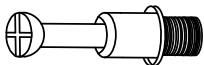

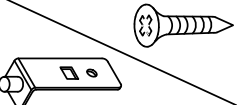

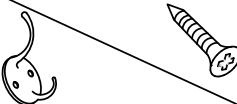

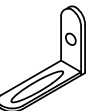

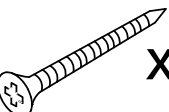

Step 73

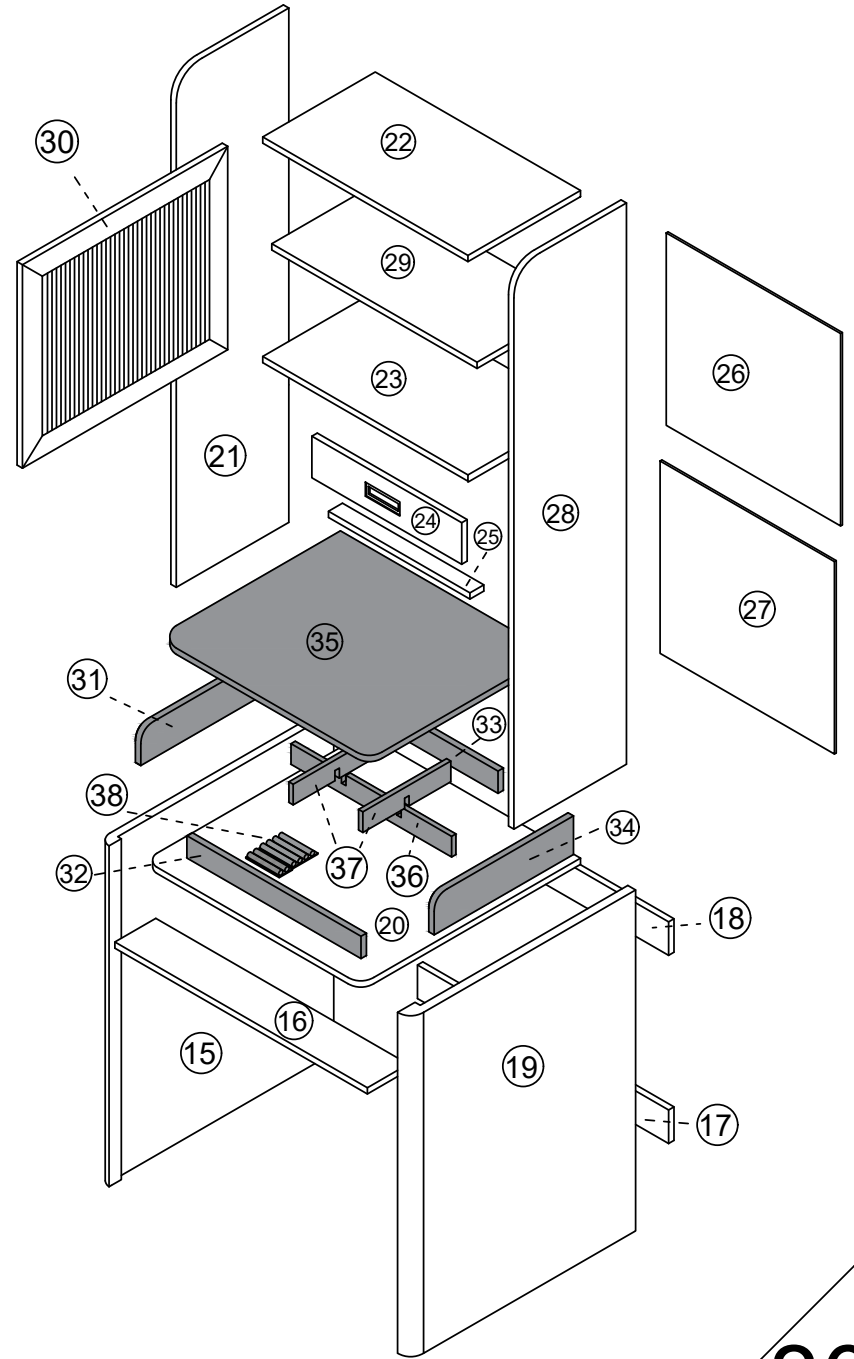
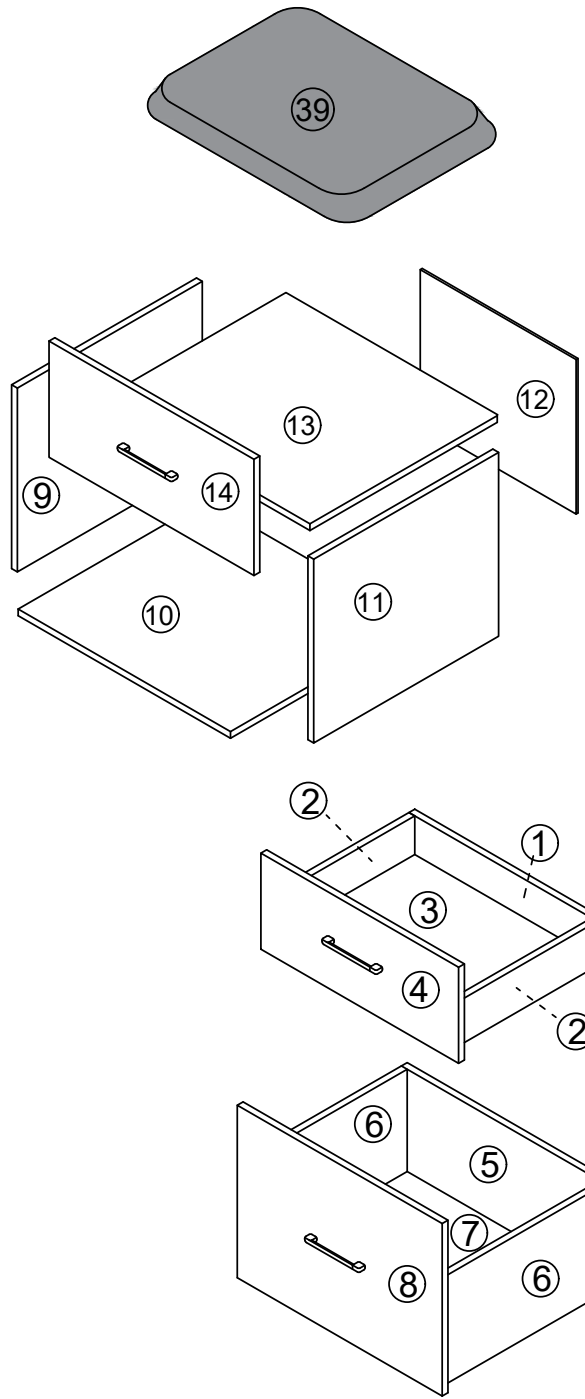
D x1 x2



Step 74

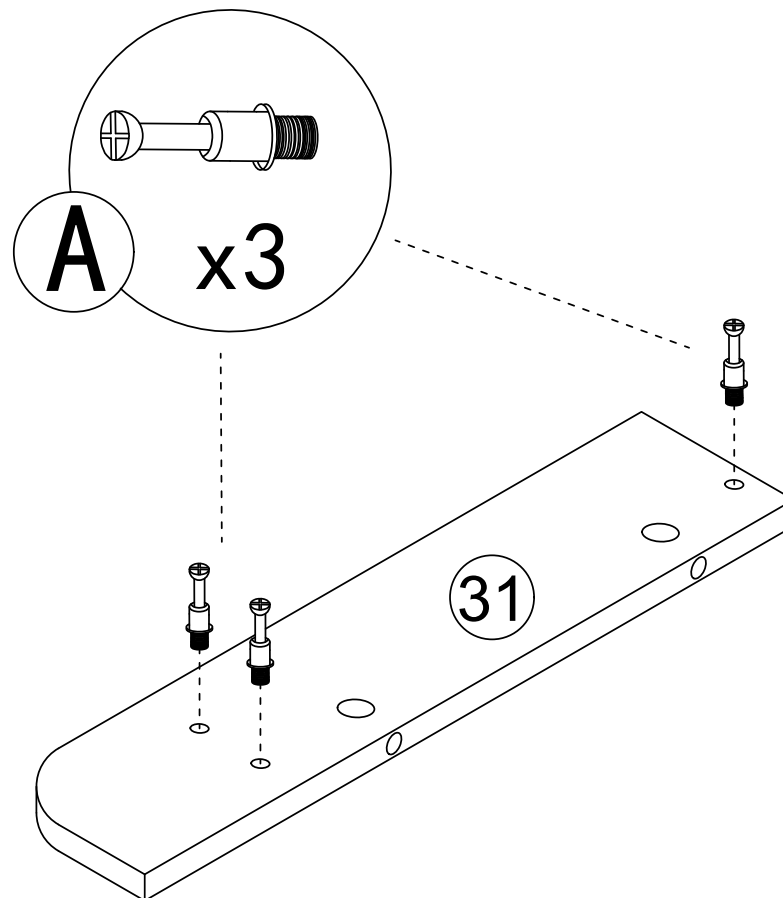
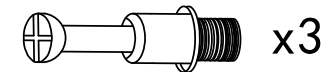


A		6pcs
B		12pcs
H		4pcs 2pcs
J		2pcs
L		4pcs 2pcs
O	 x2  x2  x2  x2  x4	



Step 75

A

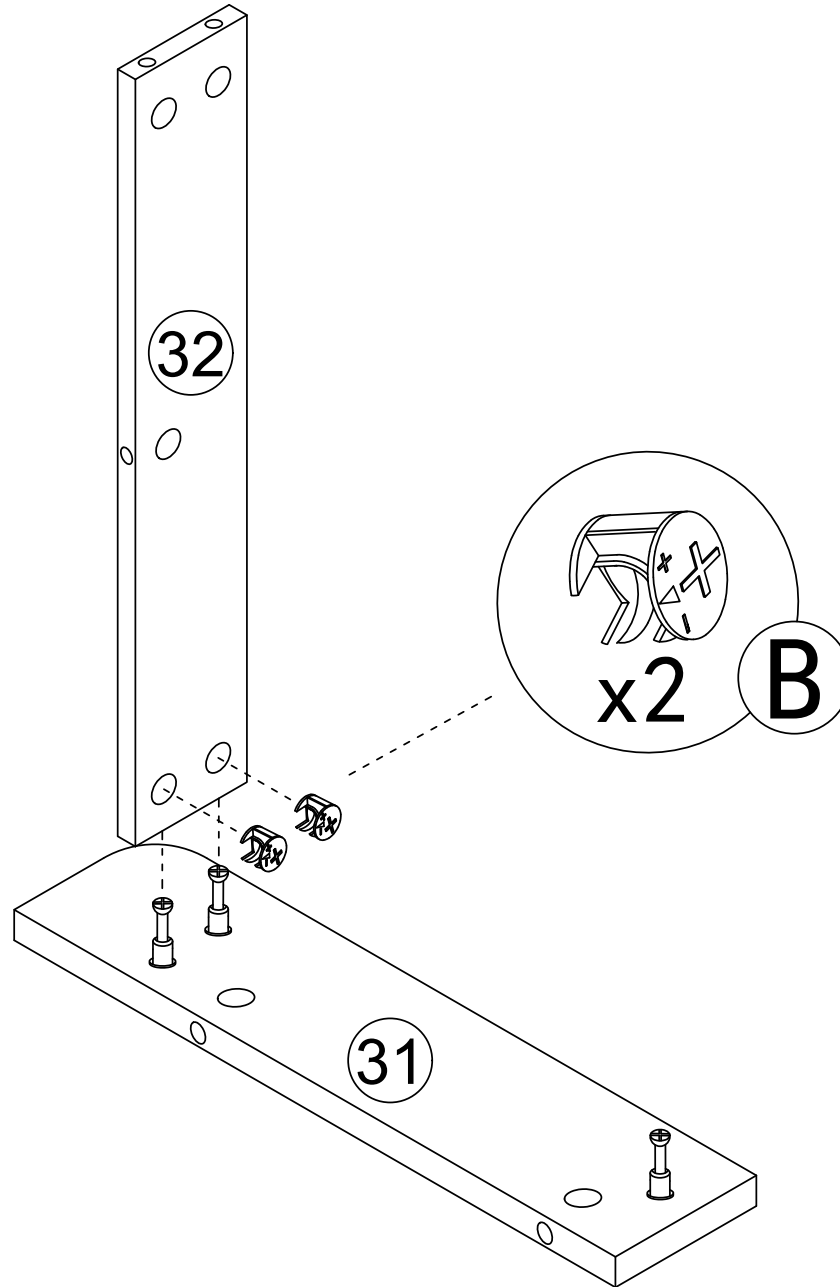


Step 76

B



x2

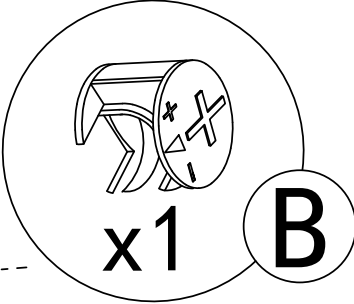
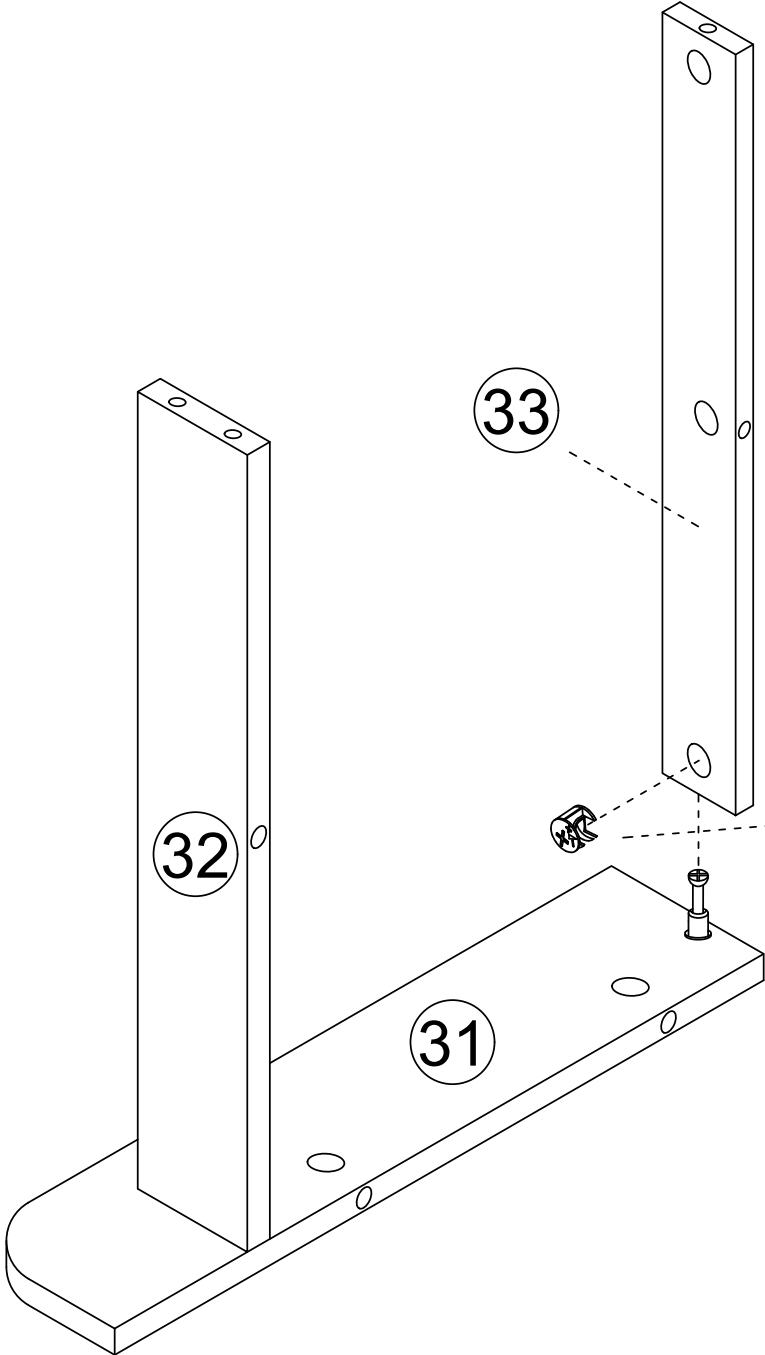


Step 77

B

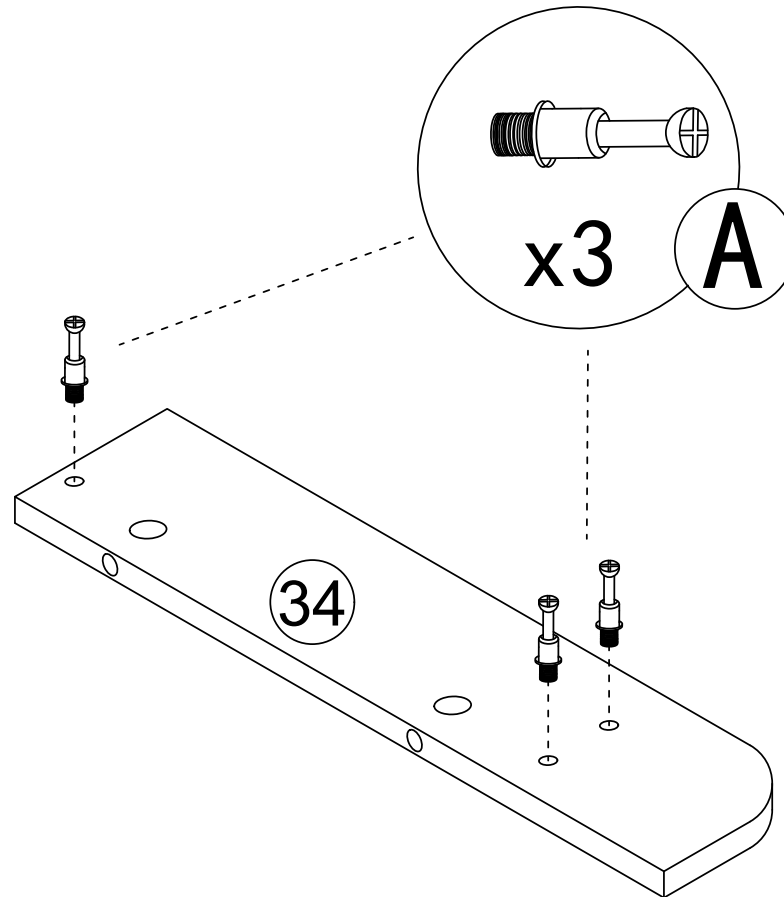
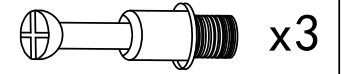


x1



Step 78

A

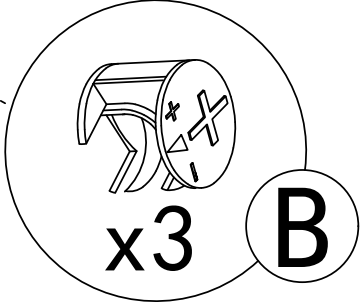
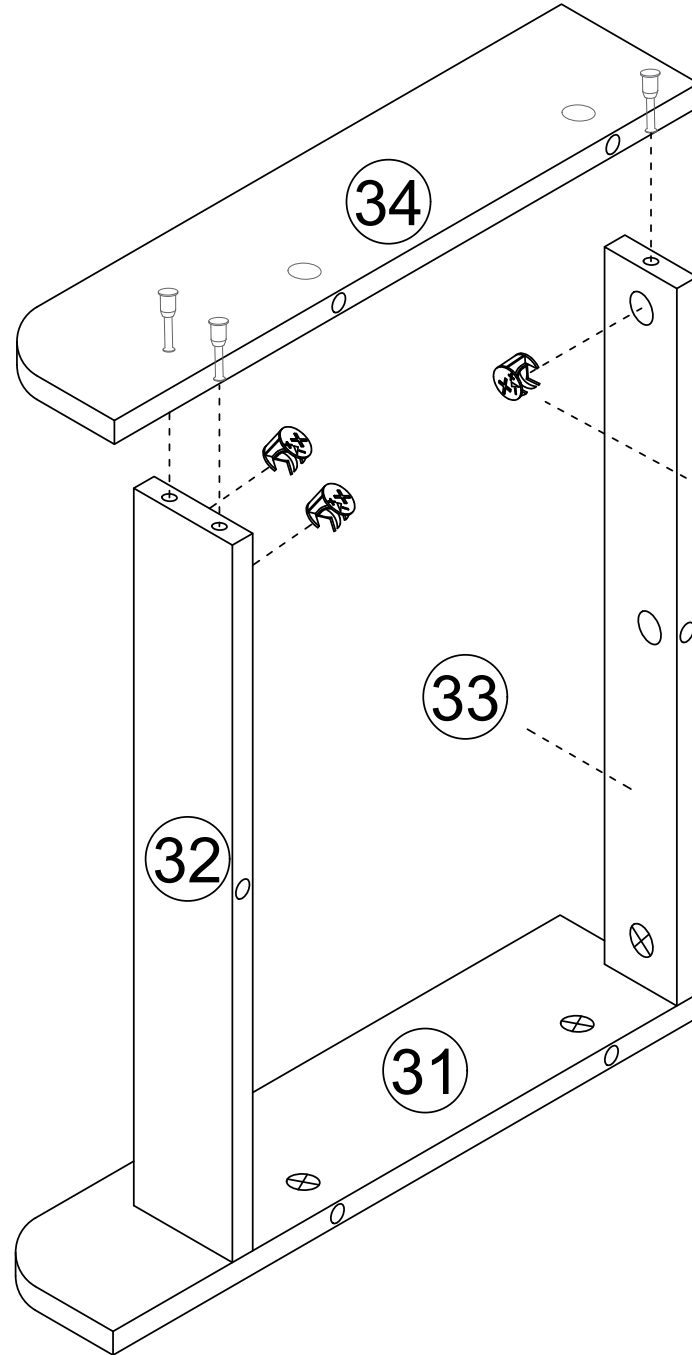


Step 79

B



x3

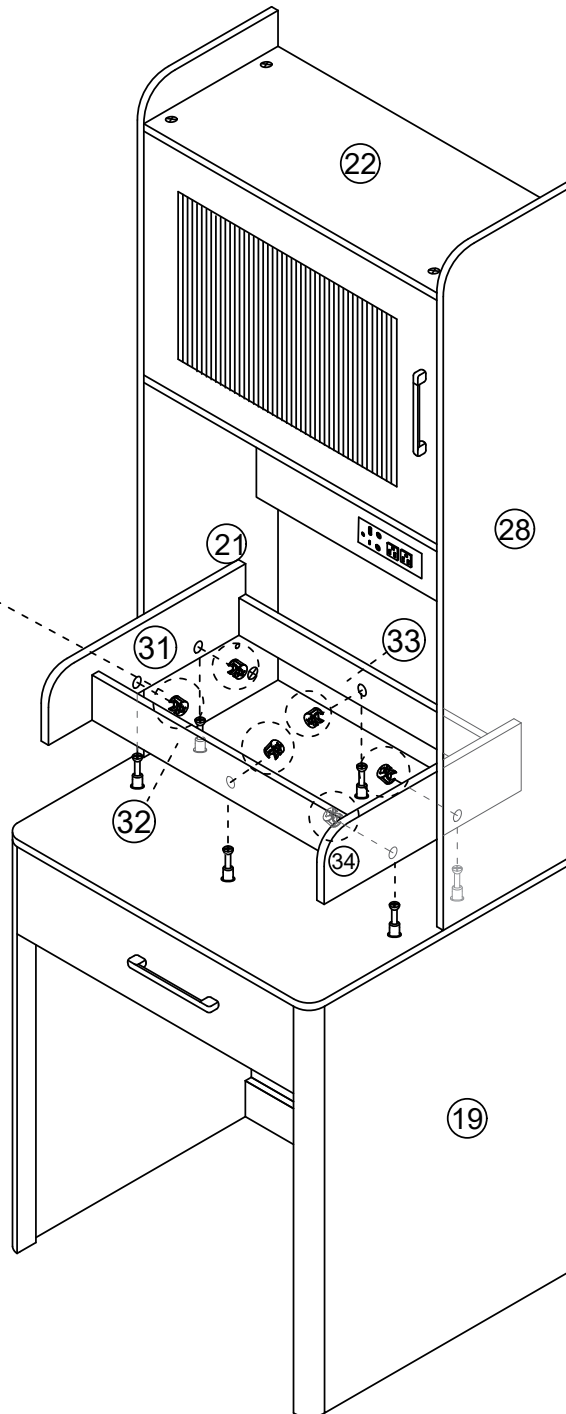
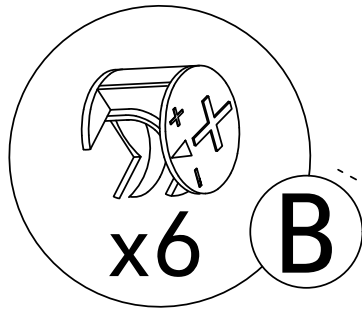


Step 80

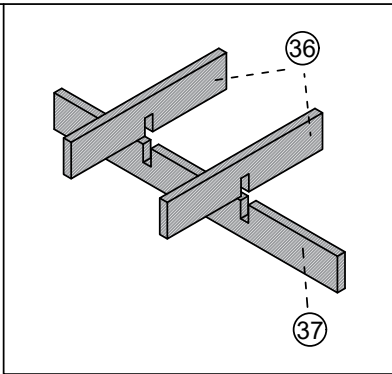
B



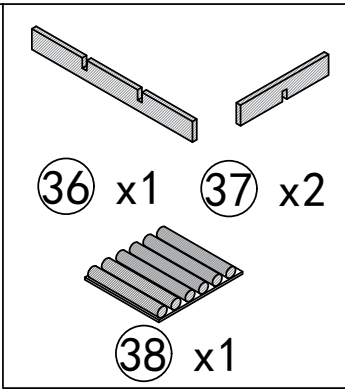
x6



Step 81



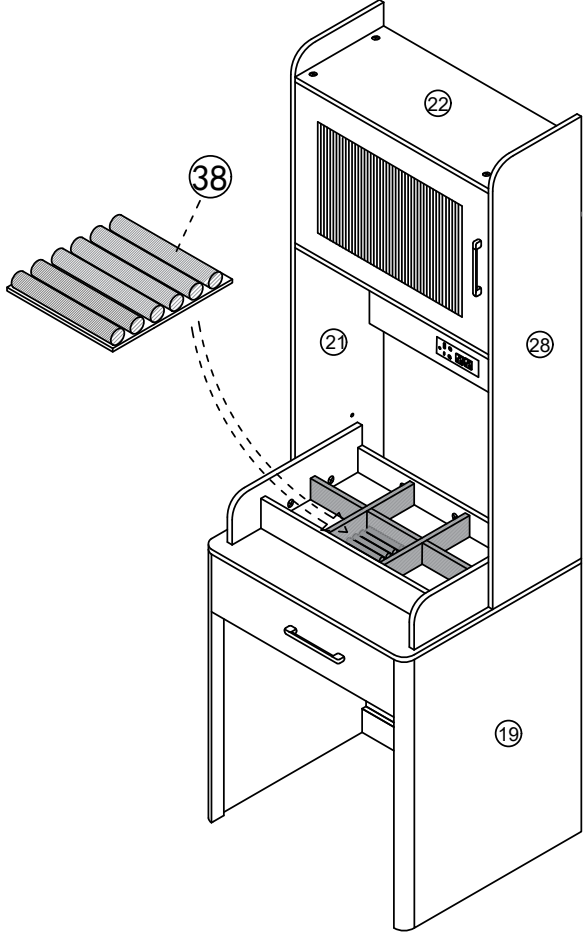
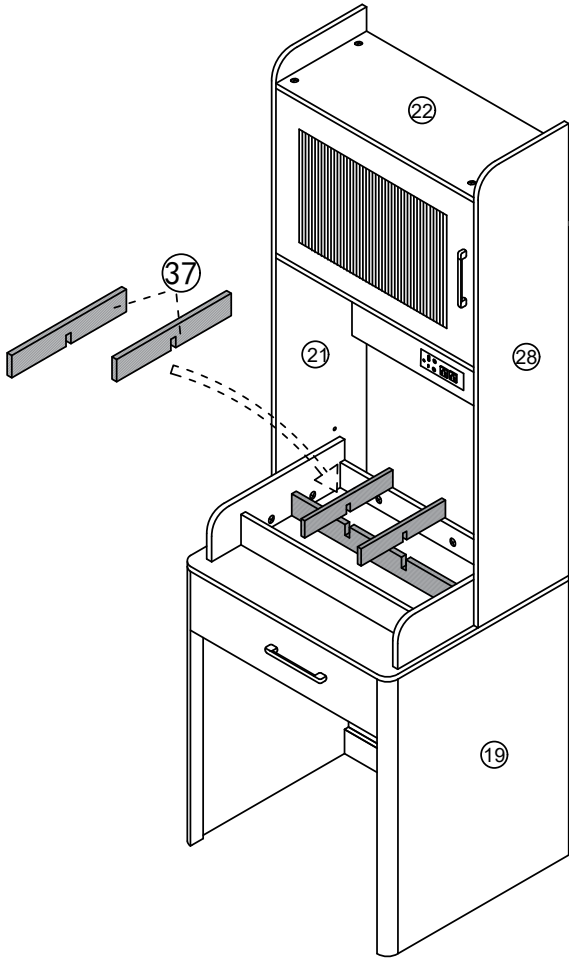
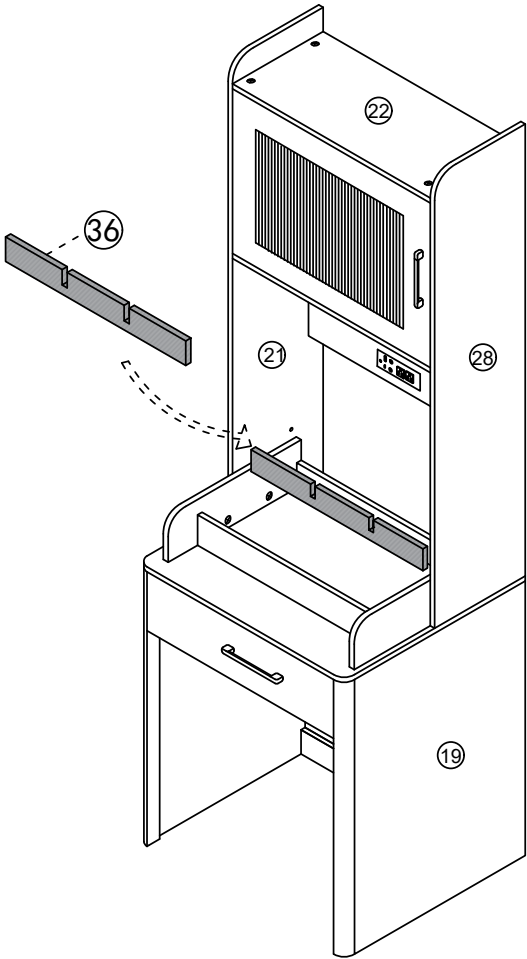
Insert board number 37 onto board number 36



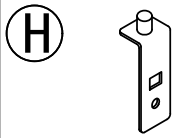
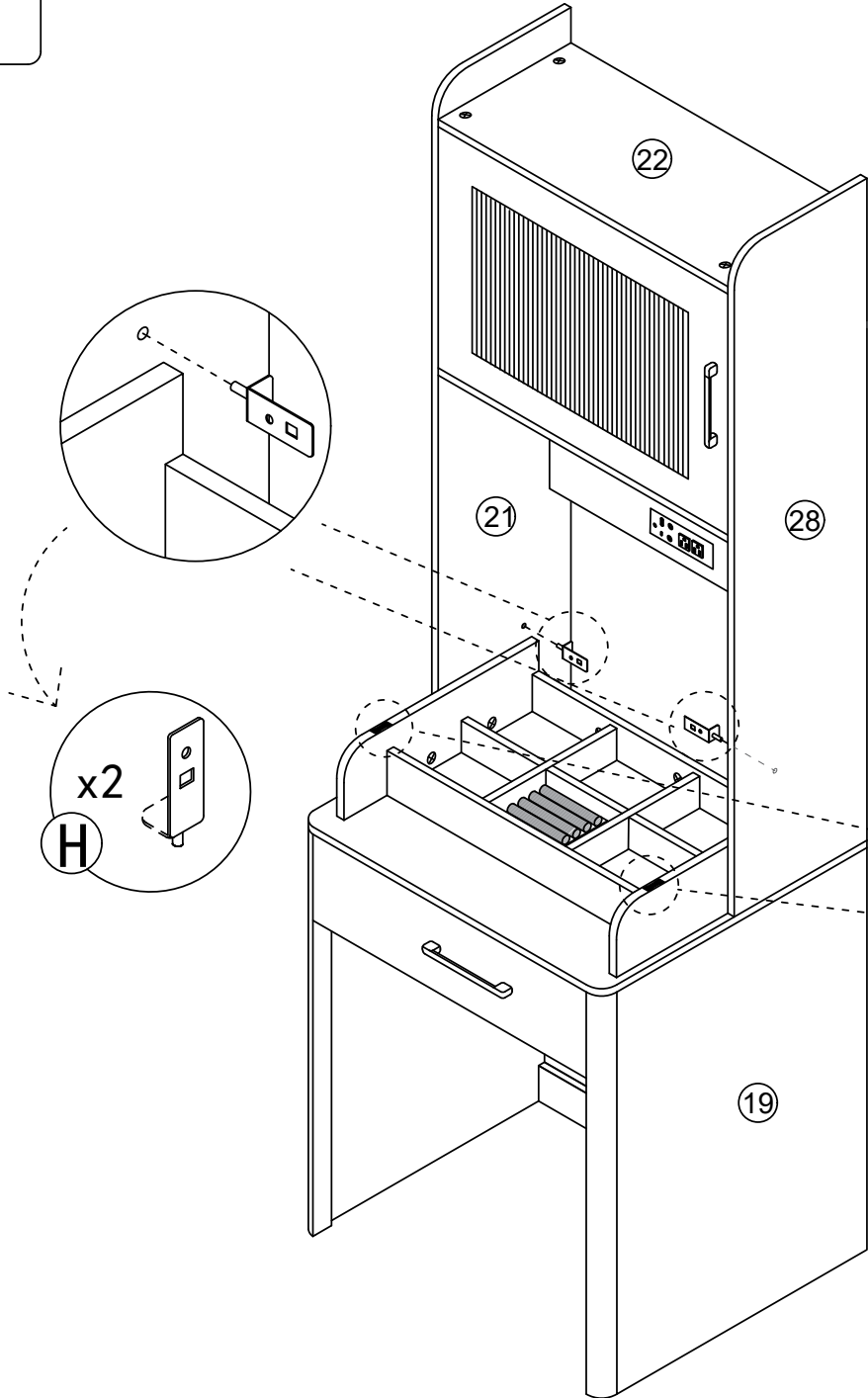
Step 1

Step 2

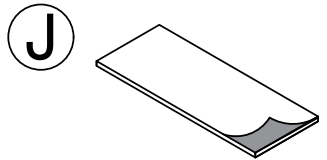
Step 3



Step 82

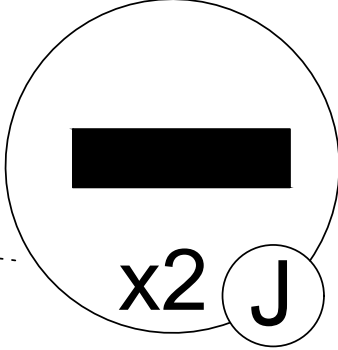


x2

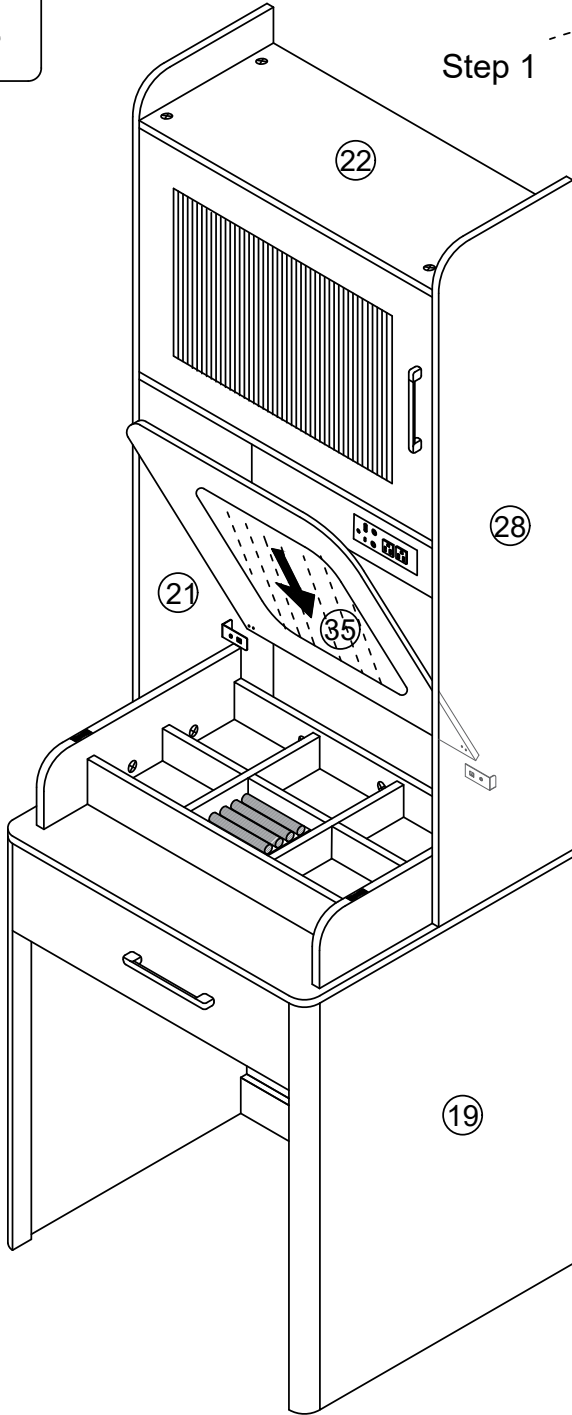


x2

Tear off the foot pad sticker and stick it on the board

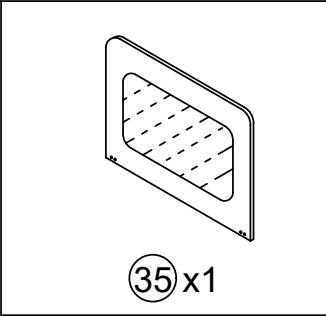
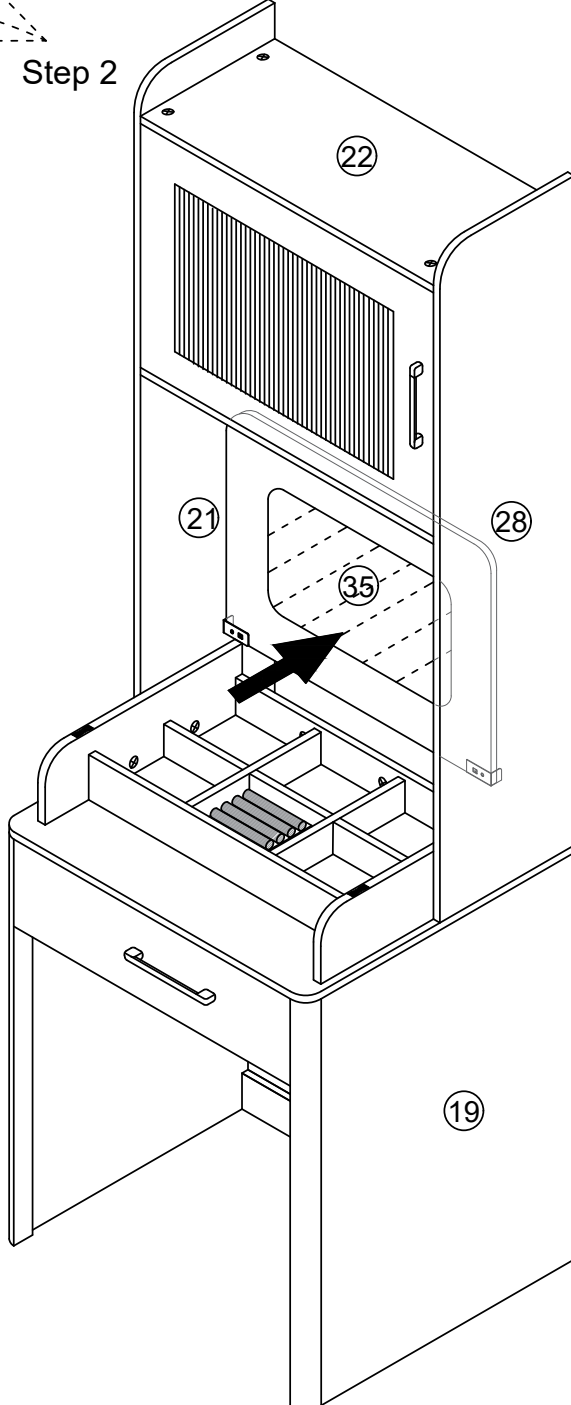


Step 83



Step 1

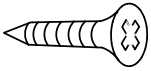
Step 2



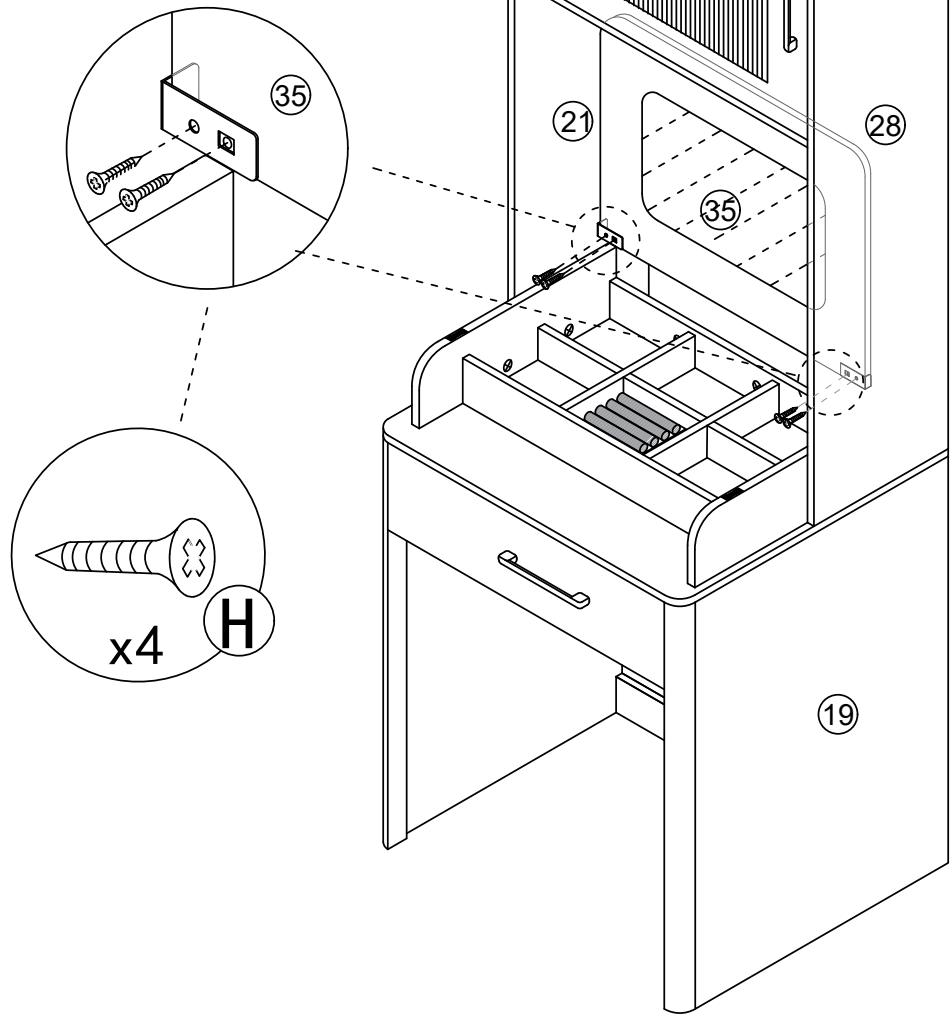
(35)x1

Step 84

H

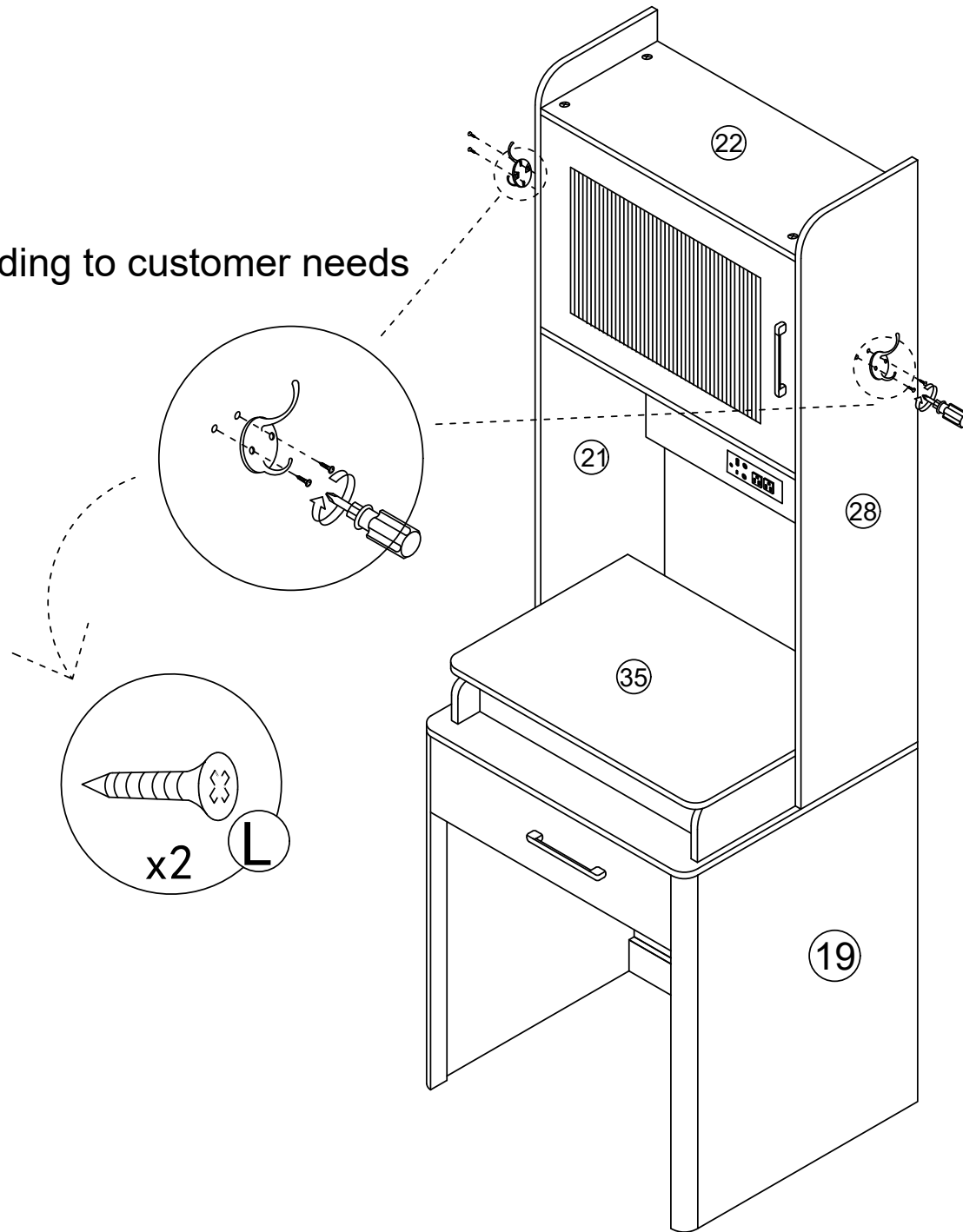


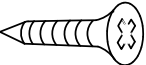

x4



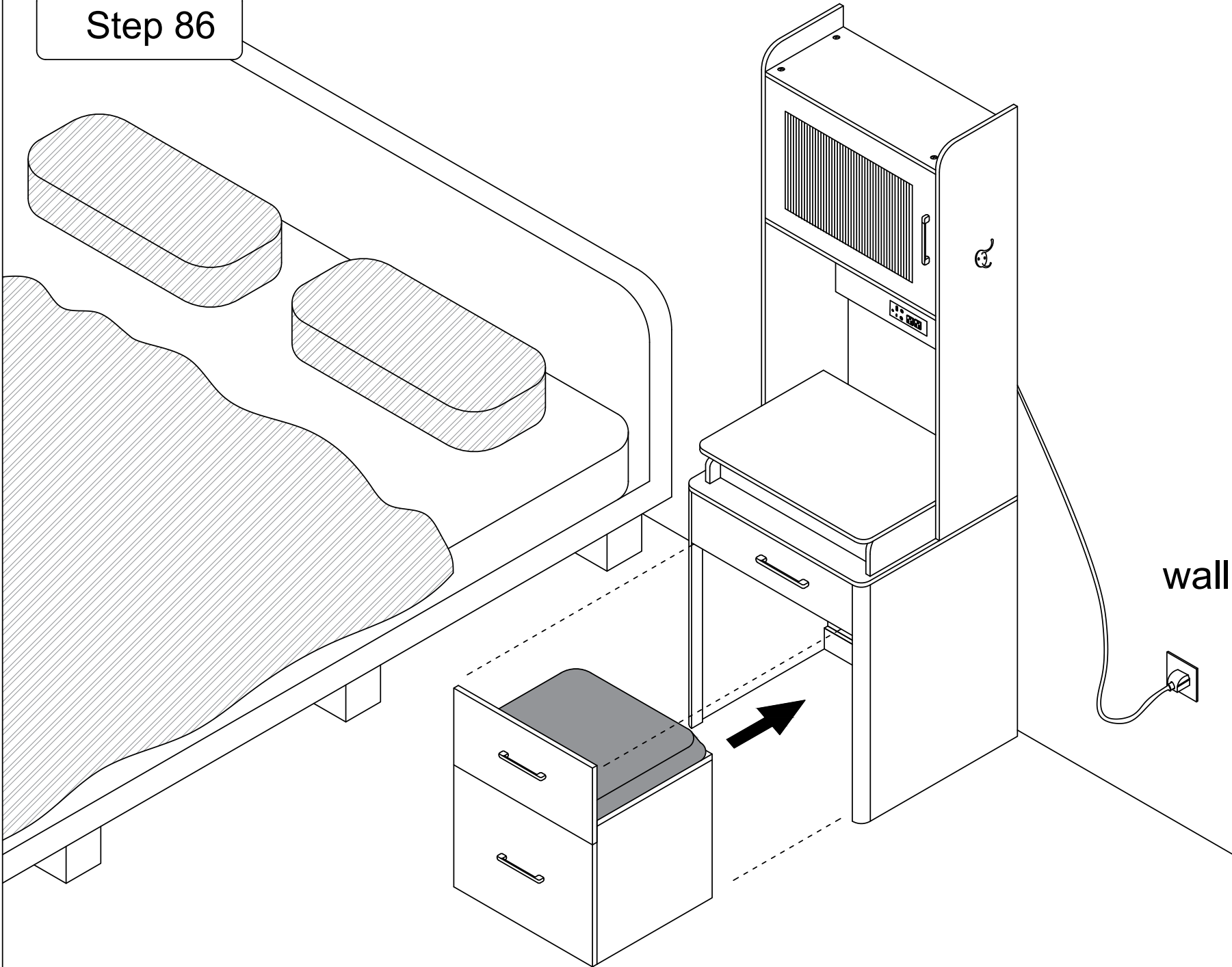
Step 85

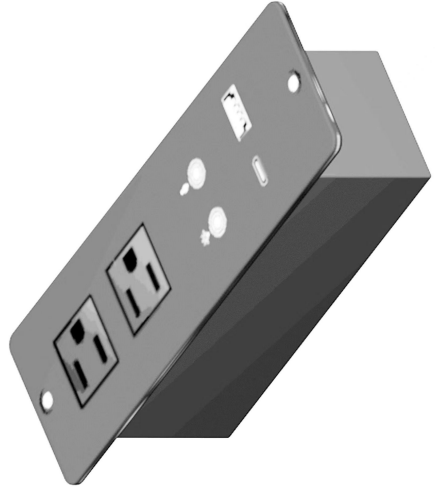
Hooks can be installed according to customer needs



- (L)  x4
-  x2

Step 86





User's Guide

Thank you for purchasing this product.

To use this product, please plug it into a 12V DC power supply.

Please use if the product works normally after connecting to power.

Introduction

The box is an intelligent controller. It has 1 USB output port 1 Type-c port and can distribute the current output up to 5V DC-2A. With 2 touch buttons, it can turn. ON/OFF the light, change light colors, and adjust the light luminance.

Operation



This touch button is used to turn on/off, change colors, and adjust brightness.

- A. Short touch -> lighting on -> short touch -> change light color -> short touch -> change light color -> short touch -> lighting off.
- B. Long touch -> adjust the luminance.



This touch button is used to turn on/off the induction function.

- A . Short touch to turn on the induction function. It can auto-turn on the light when people are close to the controller in 1 meters. It can auto power off the light when the body is far away from the controller after 30 seconds.
- B. Long touch to turn off the induction function.
- C. Note: When you touch the light button to change the light modes, the induction function will automatically turn off. It is best to turn on this function after selecting the light color and adjusting the brightness you want.



ATTENTION PLEASE

1. If there is no touch response suddenly, Re-plug the power to reset the touch static electricity.
2. If you have any questions when installing, please feel free to contact us. Thank you.

