



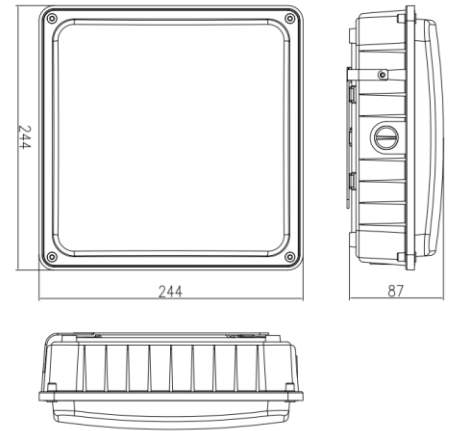
LED Canopy Lights



Introduction

The CN300 Series distills the benefits of the latest in LED technology into a high performance, high efficacy, long-life luminaire. It features a sleek, modern design and is carefully engineered to provide long-lasting, energy-efficient lighting with a variety of optical and control options for custom performance. The energy savings, long life and easy-to-install design of the Canopy make it the smart choice for building-mounted.

WEN-CN300 DOB Series LED Canopy Light



ORDERING INFORMATION

EXAMPLE: WEN-CN301D-45W-30K-SR-BR

Series	Input	Power	Color	Options	Finish
WEN-CN301	D 120-277VAC with driver on board	45W	30K 3000K 40K 4000K 45K 4500K	00 No DIMMING 10 0-10V DIMMING SR Motion Sensor	BR Brown WH White BL Black GR Gray
WEN-CN302		70W	50K 5000K 57K 5700K		

REGULATORY & VOLUNTARY QUALIFICATIONS

- cETLus Listed.
- Suitable for wet locations.
- Meets FCC Part 15 standards for conducted and radiated emissions.
- RoHS compliant. Consult factory for additional details.

WEN- CN300 Series Performance Data

Lumen Output

Lumen values are from photometric tests performed in accordance with IESNA LM-79-08. Data is considered to be representative of the configurations shown, within the tolerances allowed by Lighting Facts. Actual performance may differ as a result of enduser environment and application. Actual wattage may differ by +/- 10% when operating between 120-277V +/- 10%. Contact factory for performance data on any configurations not shown here.

WEN-CN300 DOB Series Performance Data

MODEL	LEDS	LED		3000K,70CRT		4000K,70CRT		4500K,70CRT		5000K,70CRT		5700K,70CRT	
		CURRE	WATTS	LUMENS	LPW	LUMENS	LPW	LUMENS	LPW	LUMENS	LPW	LUMENS	LPW
WEN-CN301D	96	0.07A	45W	5037	112	5142	114	5185	115	5180	115	5275	117
WEN-CN302D	144	0.07A	70W	7750	111	7940	113	7980	114	8020	114	8140	116

Electrical Data

MODEL	LEDS	LED CURRENT	SYSTEM WATTS	Current			
				120	208	240	277
WEN-CN301D	96	0.07A	45W	0.38	0.23	0.20	0.17
WEN-CN302D	144	0.07A	70W	0.59	0.33	0.29	0.25

ELECTRICAL SYSTEM

- Input Voltage: 120-277V , 50/60Hz
- Designed with 0-10V dimming capabilities. Controls by others.
- Power Factor : > 0.9 at full load
- Total Harmonic Distortion: < 20% at full load
- Integral 10kV surge suppression protection standar(options)
- Luminaire is qualified to operate at ambient temperatures of -40°C to +50°C.

Lumen Ambient Temperature (LAT) Multipliers

Ambient	Lumen Multiplier	
0°C	32°F	1.02
10°C	50°F	1.01
20°C	68°F	1.00
25°C	77°F	1.00
30°C	86°F	1.00
40°C	104°F	0.99

FINISH

Exterior parts are protected by Super Durable thermoset powder coat finish that provides superior resistance to corrosion and weathering. A tightly controlled multi-stage process ensures a minimum 3 mils thickness for a finish that can withstand extreme climate changes without cracking or peeling. Available in textured and non-textured finishes.

WARRANTY

- Five year limited warranty is standard on luminaire and components .