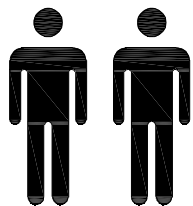


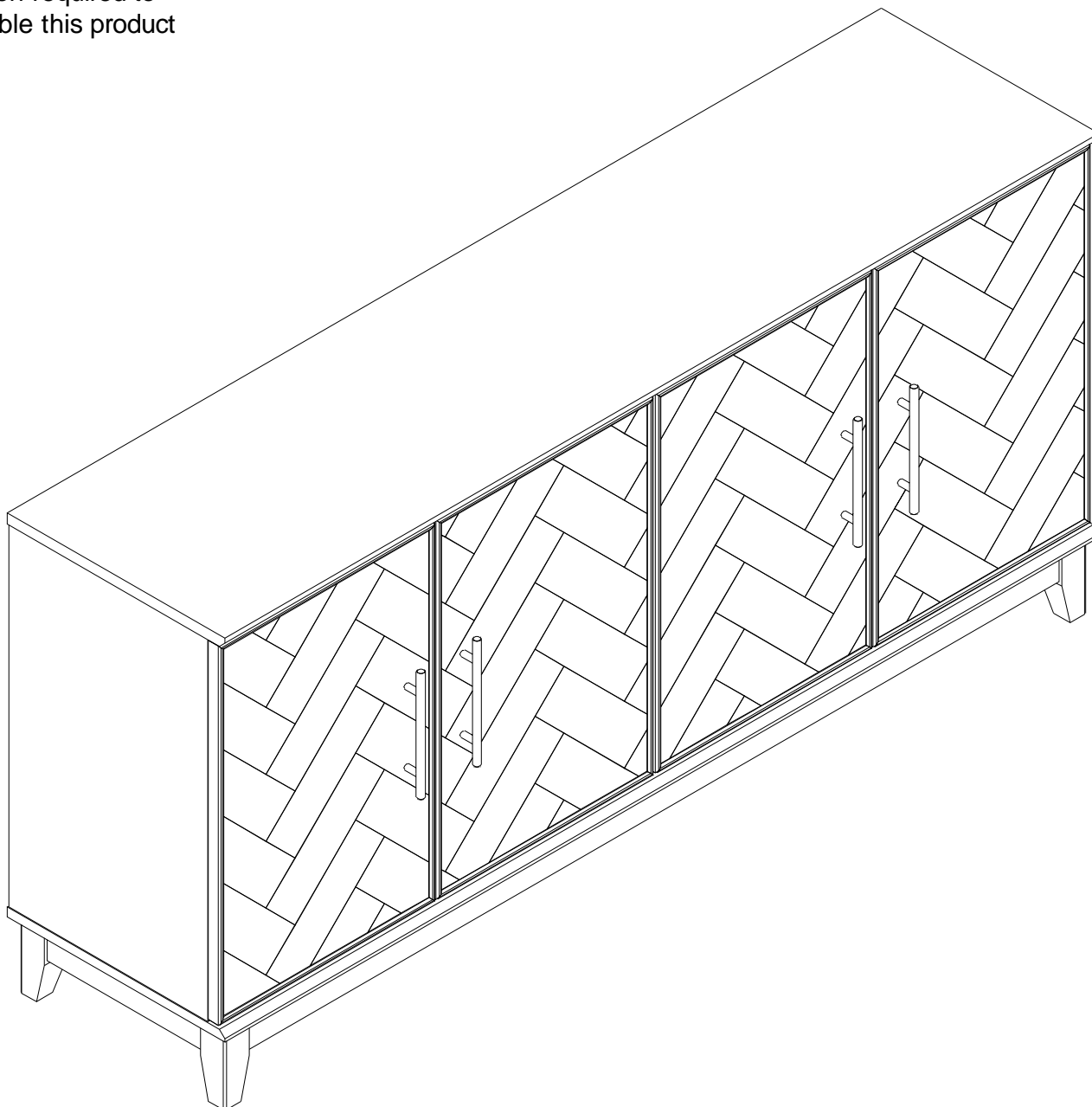
# ASSEMBLY INSTRUCTION

If there are any questions during the assembly process.

A video and description about the step you were stucked will help us to understand the problem quickly.

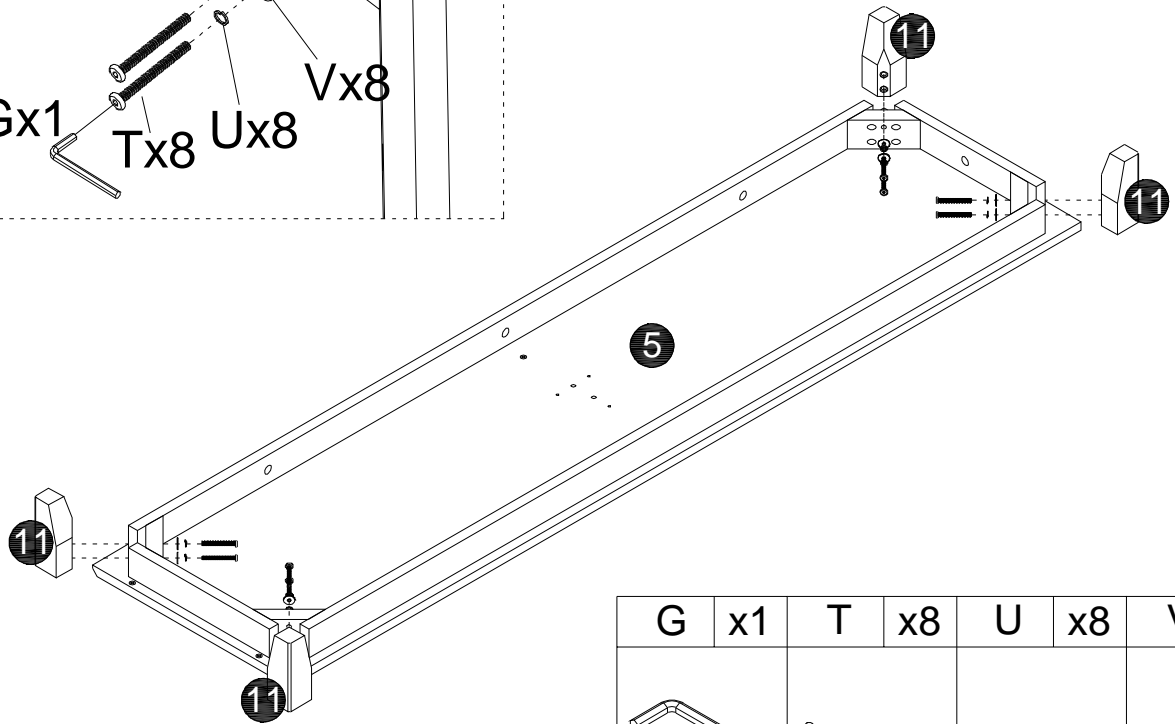
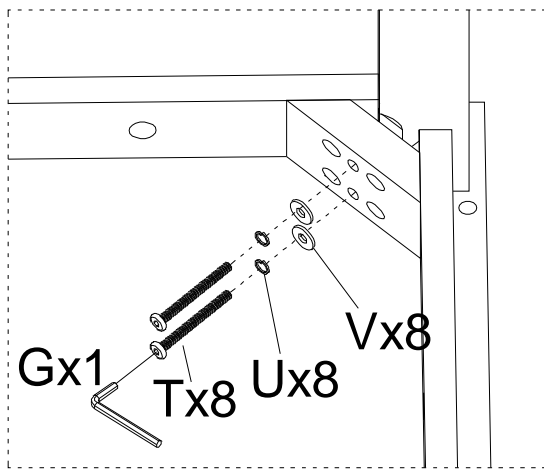


2 person required to  
assemble this product



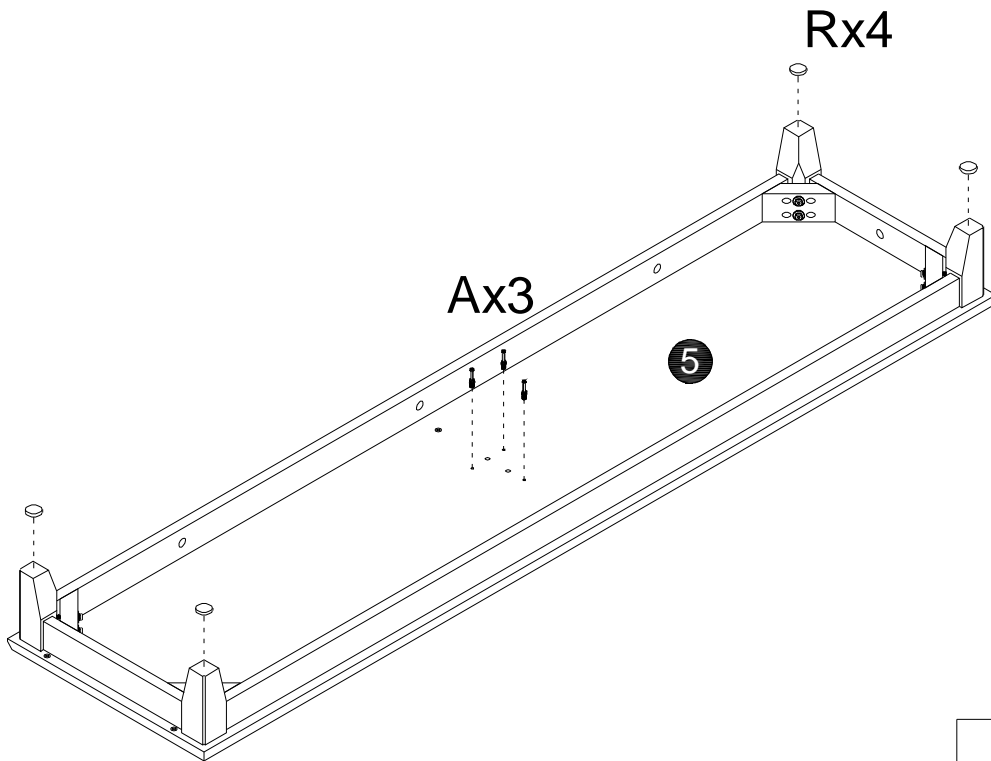


1



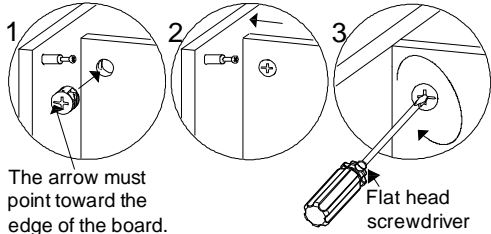
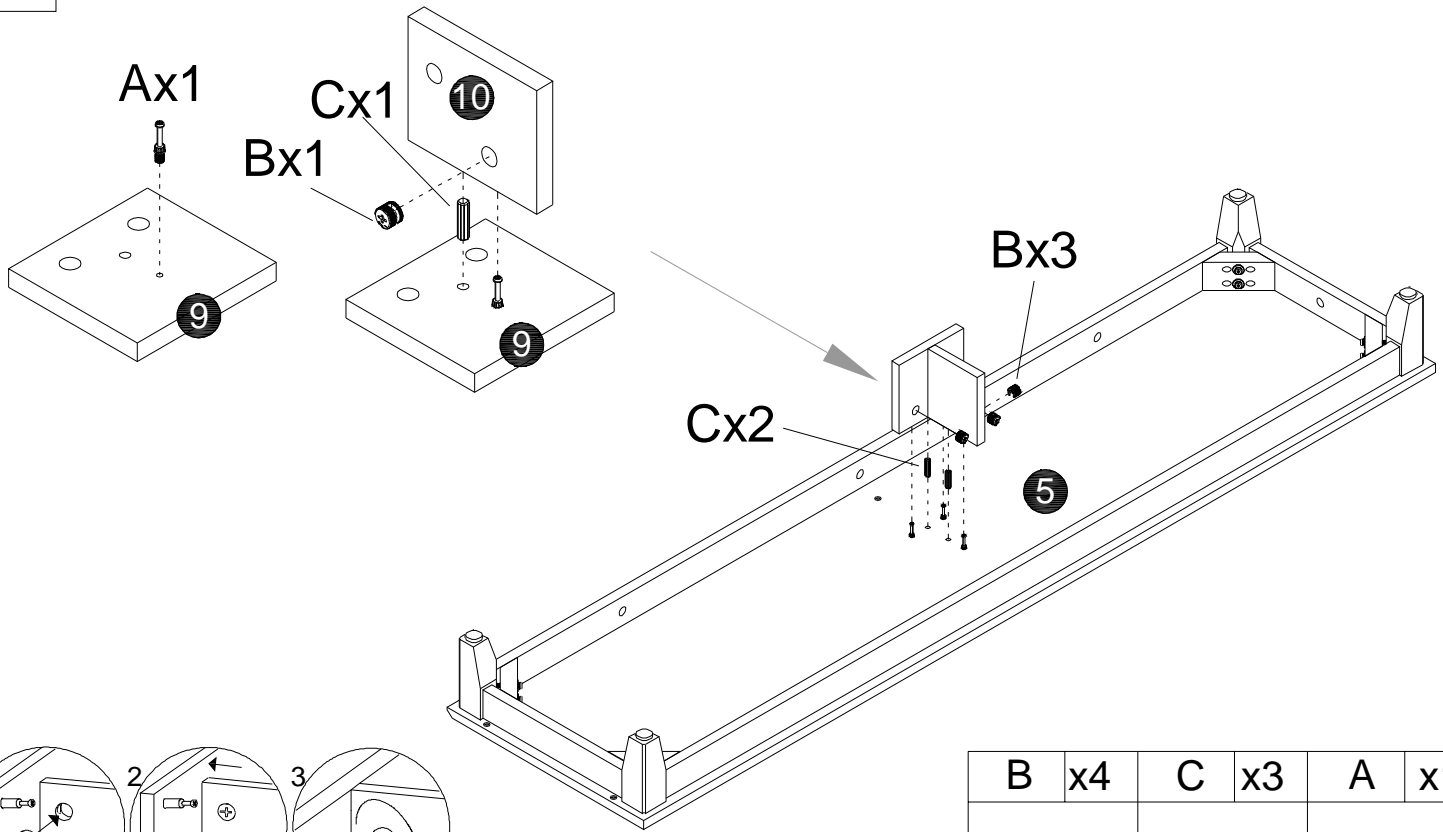
G	x1	T	x8	U	x8	V	x8
		M6x55mm					



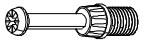
2



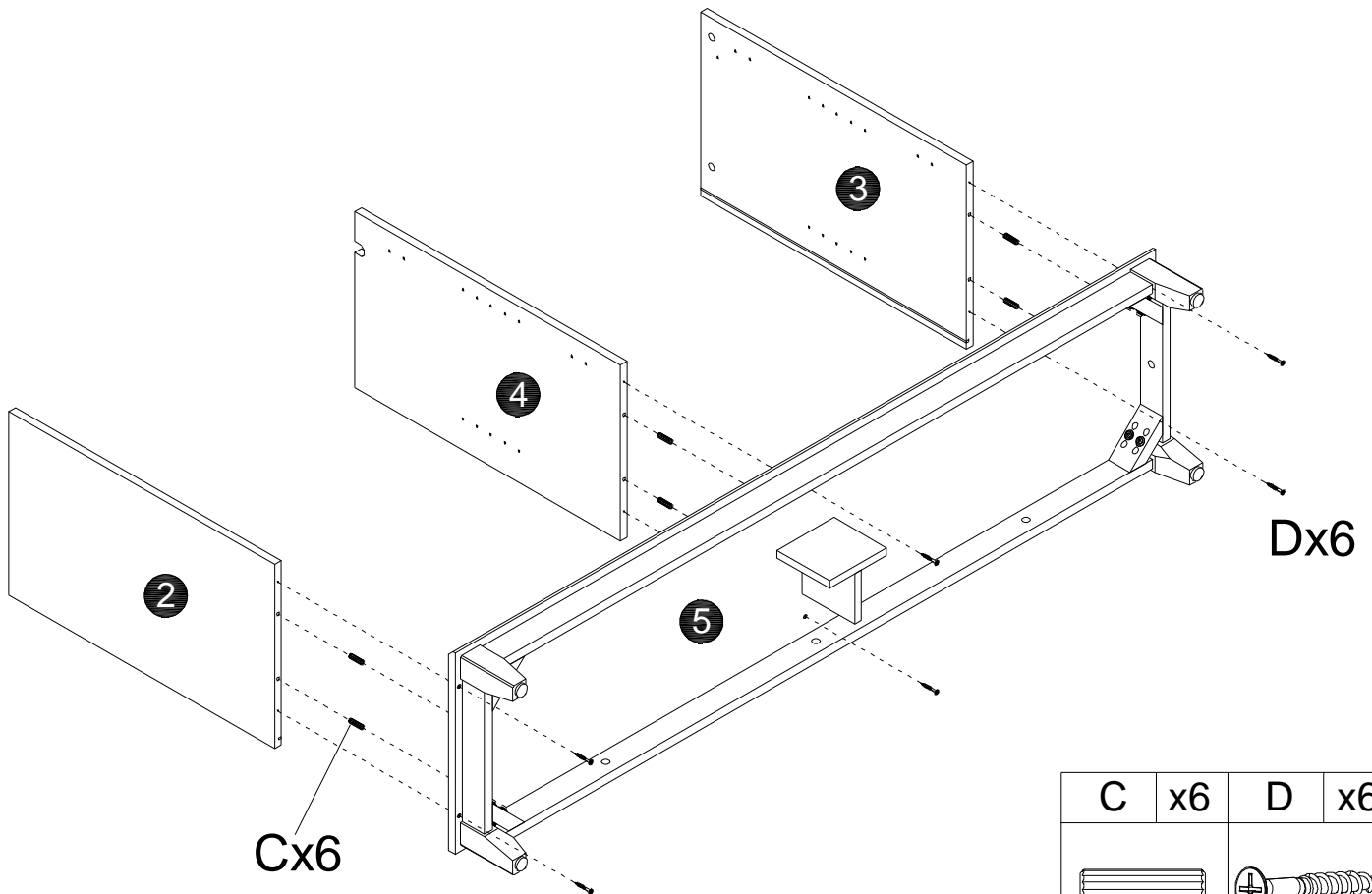
R	x4	A	x3
		M6x35mm	



# 3



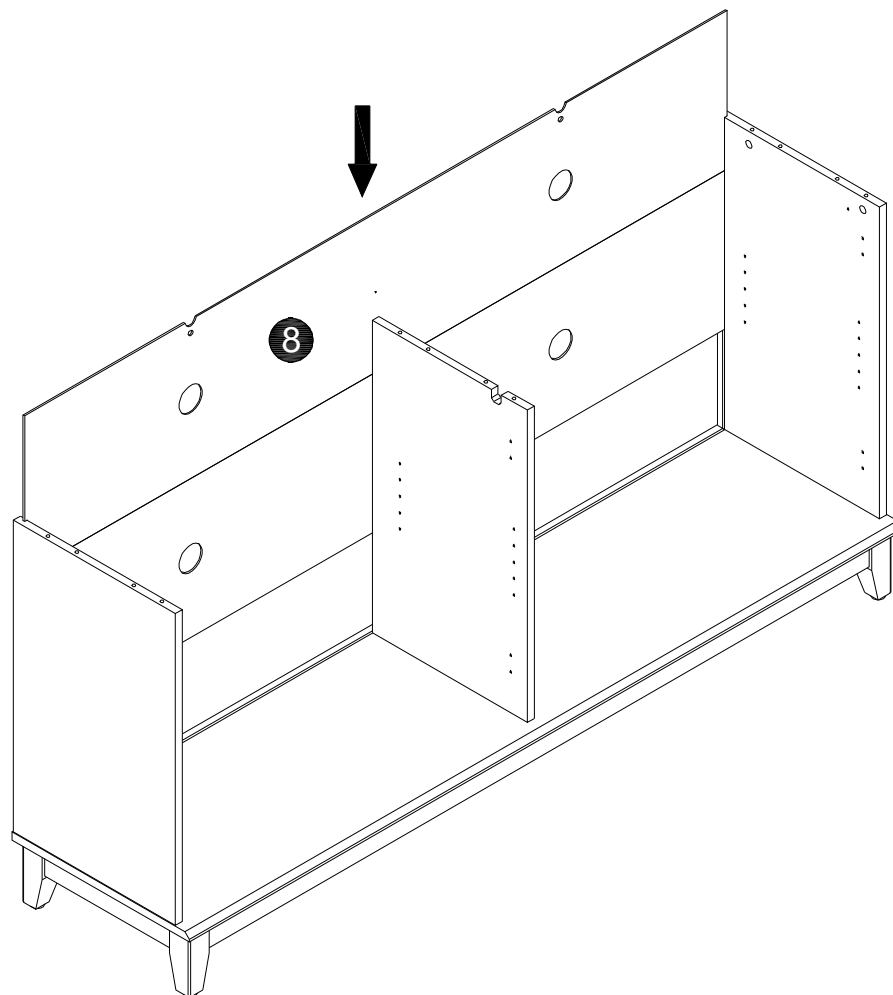
B	x4	C	x3	A	x1
					
Ø15mm		Ø8x30mm		M6x35mm	

# 4

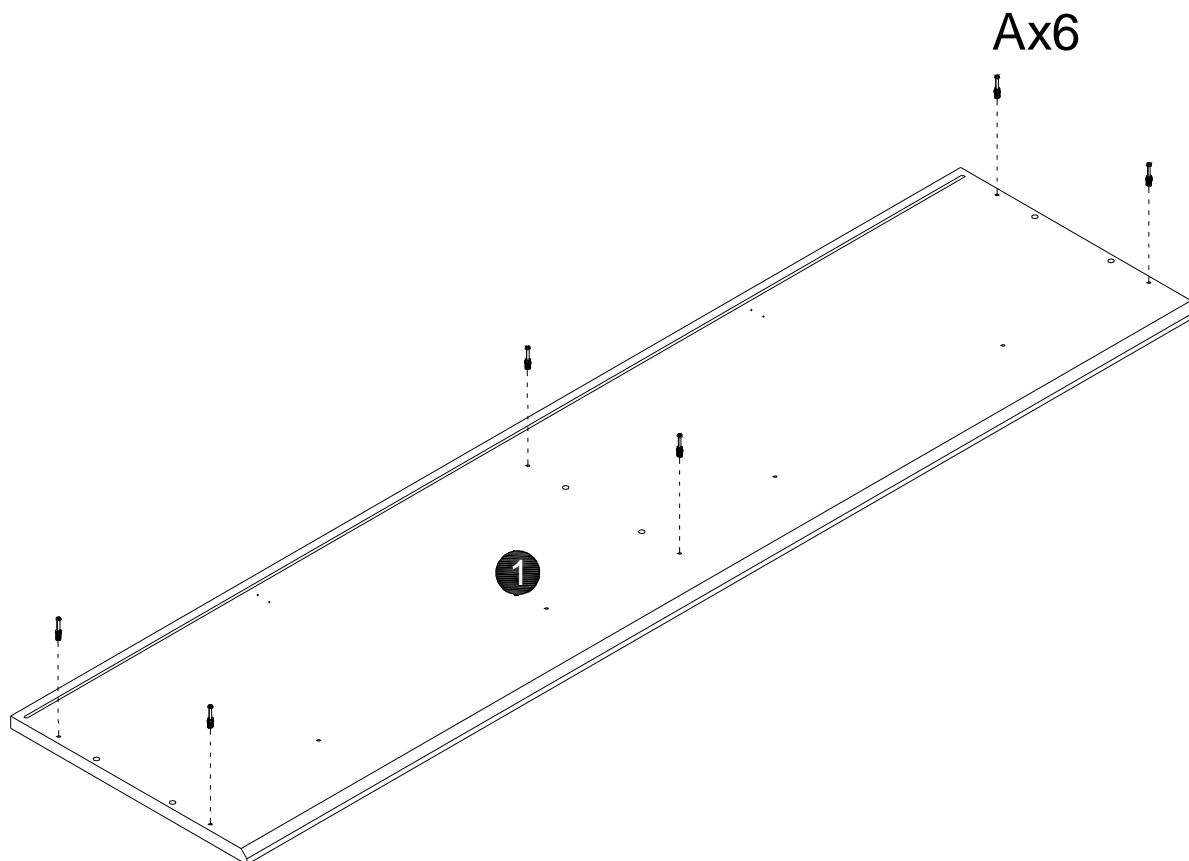


C	x6	D	x6
			
Ø8x30mm		M5x38mm	

5



6

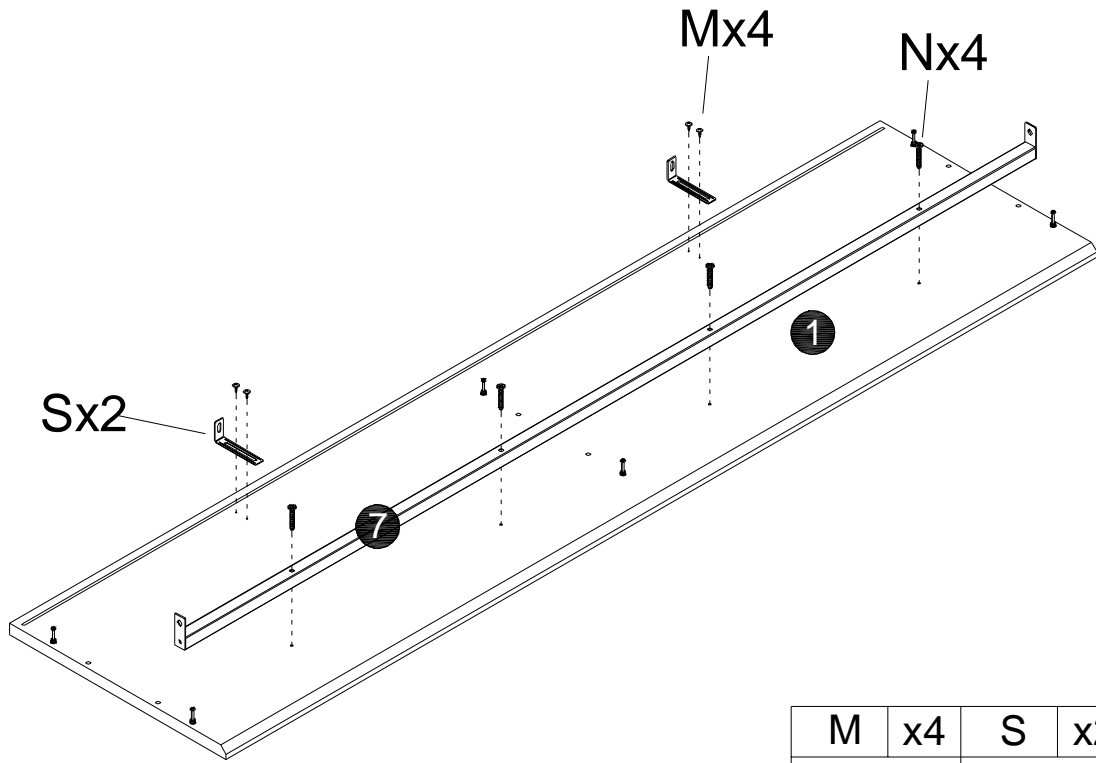


A x6



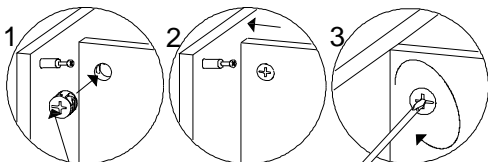
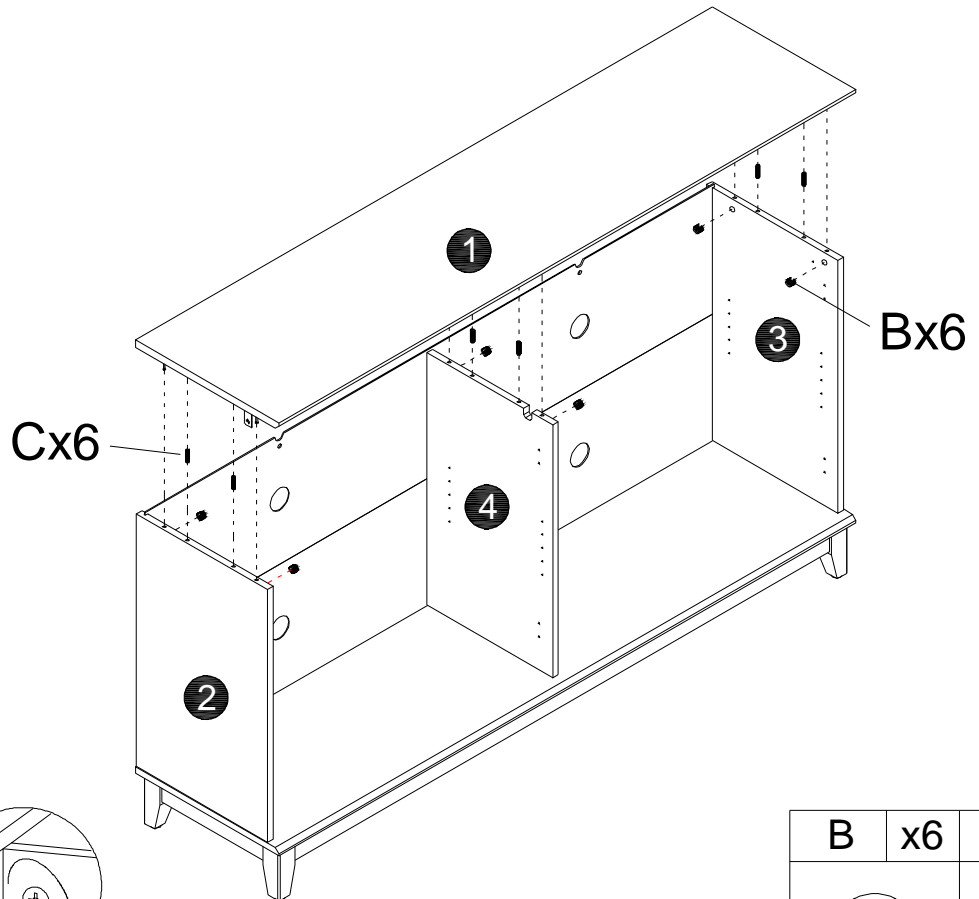
M6x35mm

# 7



M	x4	S	x2	N	x4
M3.5x14mm				M6x28mm	

# 8

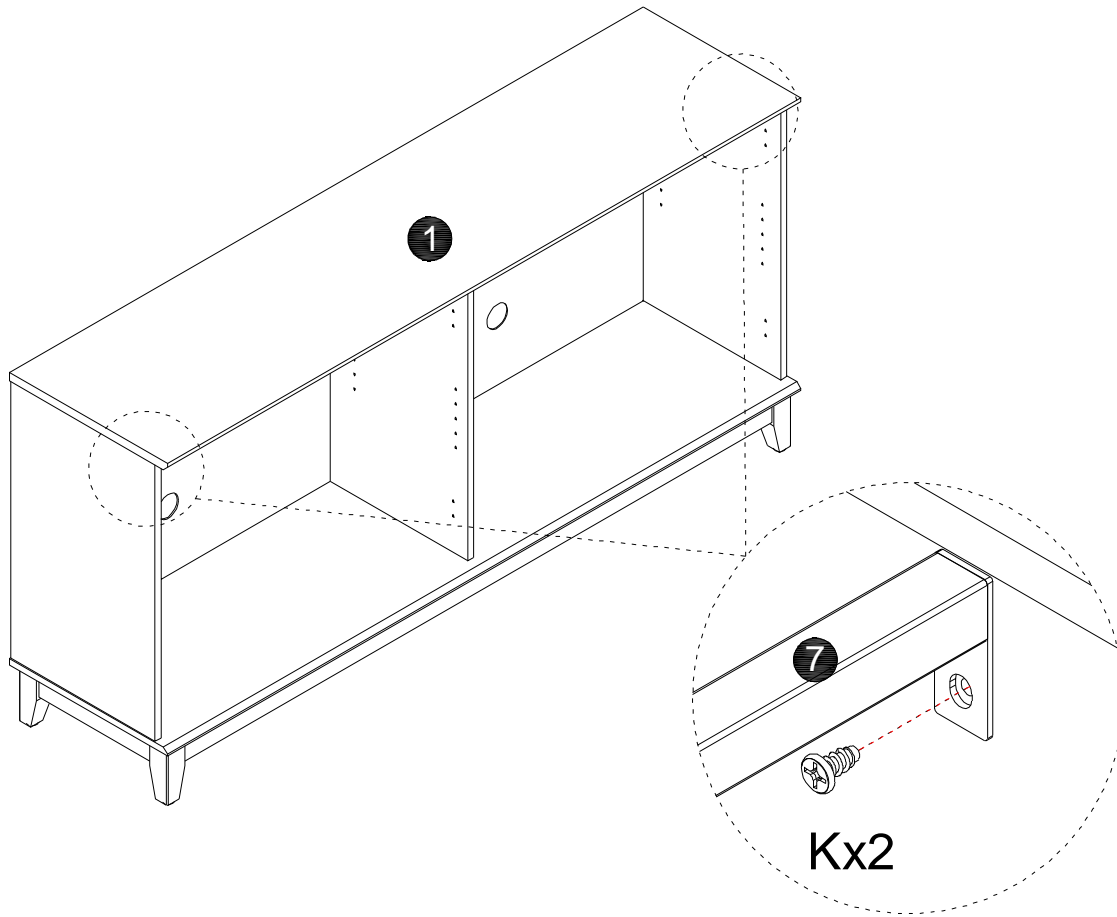



The arrow must point toward the edge of the board.

Flat head screwdriver

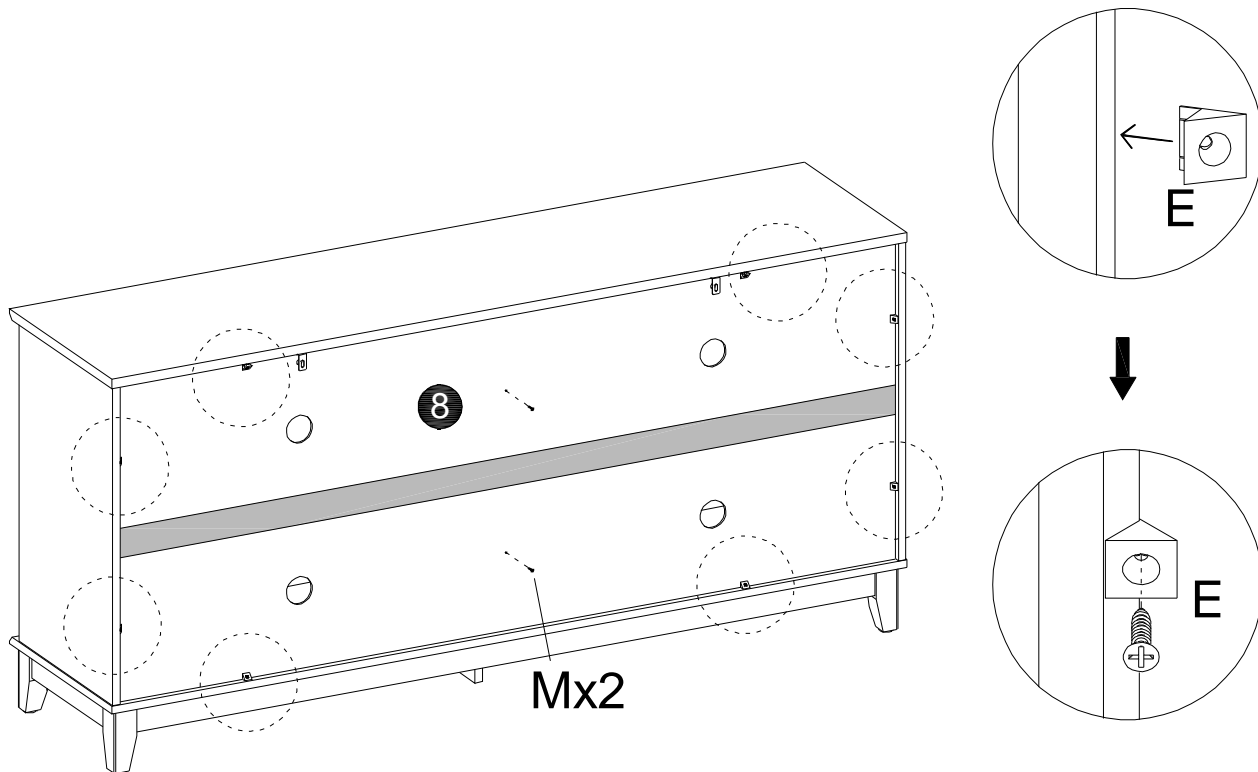
B	x6	C	x6
Ø15mm		Ø8x30mm	

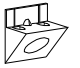
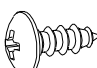

9



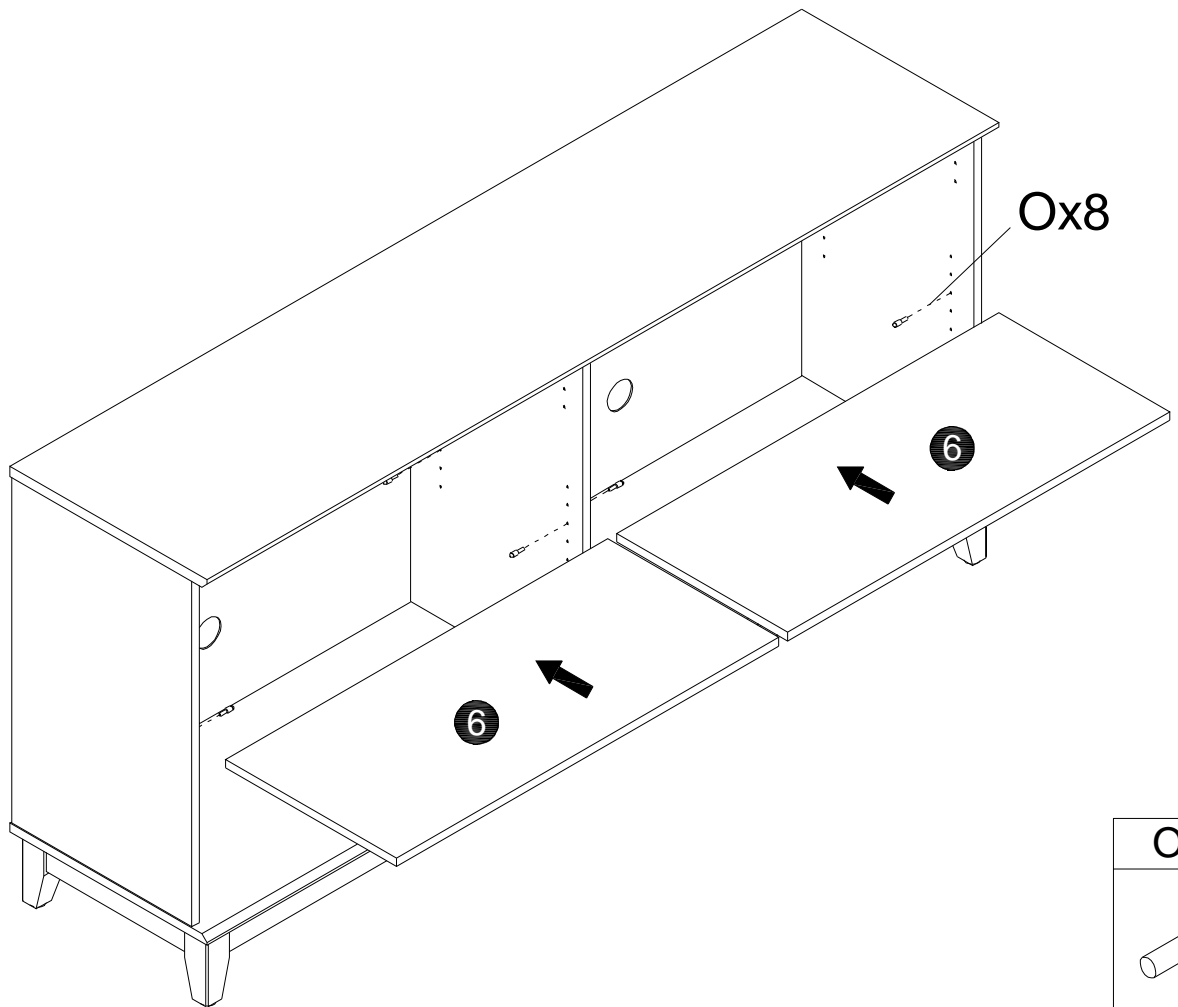
K	x2
	
M6x12mm	

10



E	x8	M	x2
			
		M3.5x14mm	

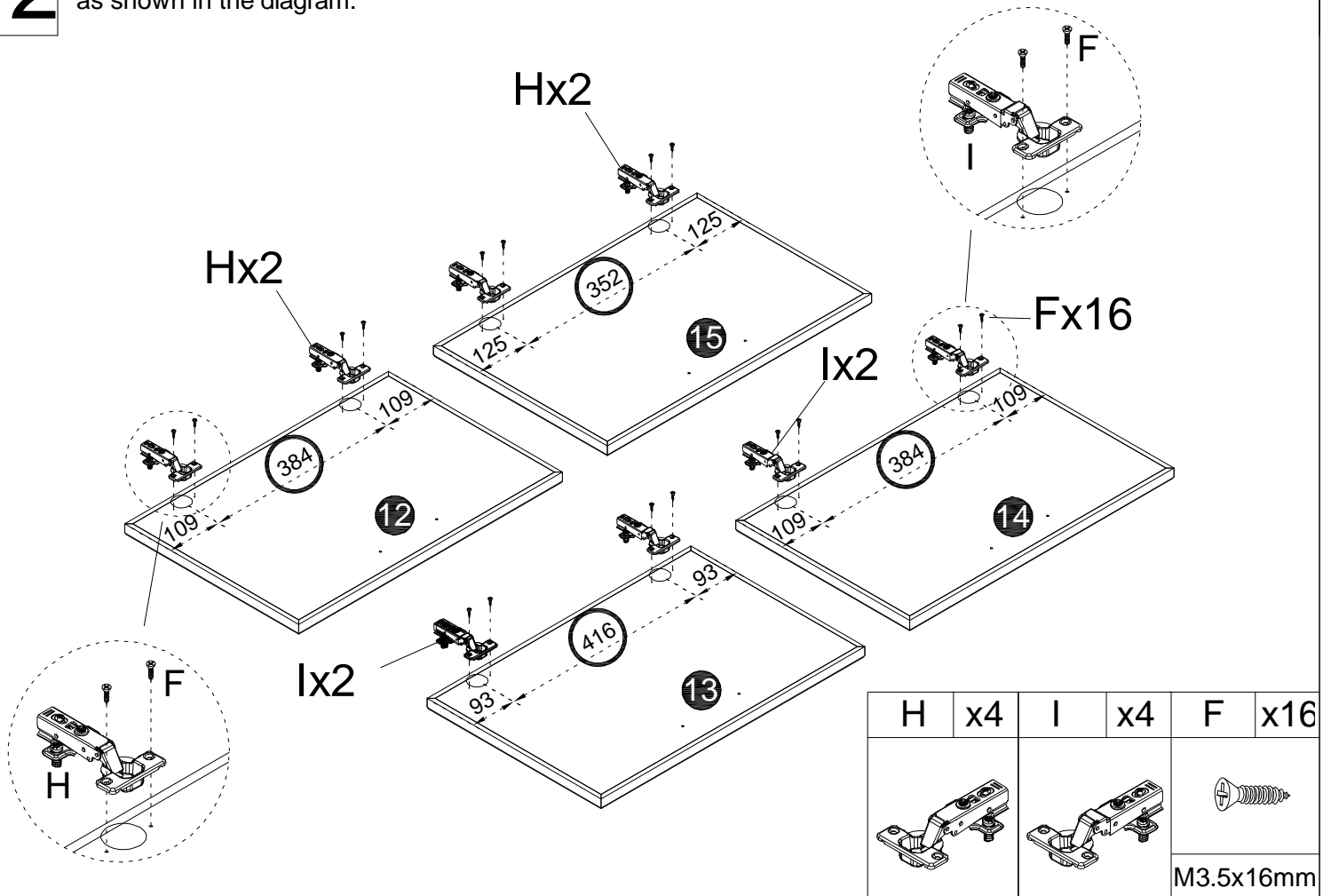
# 11



O	x8

# 12

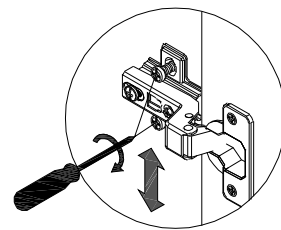
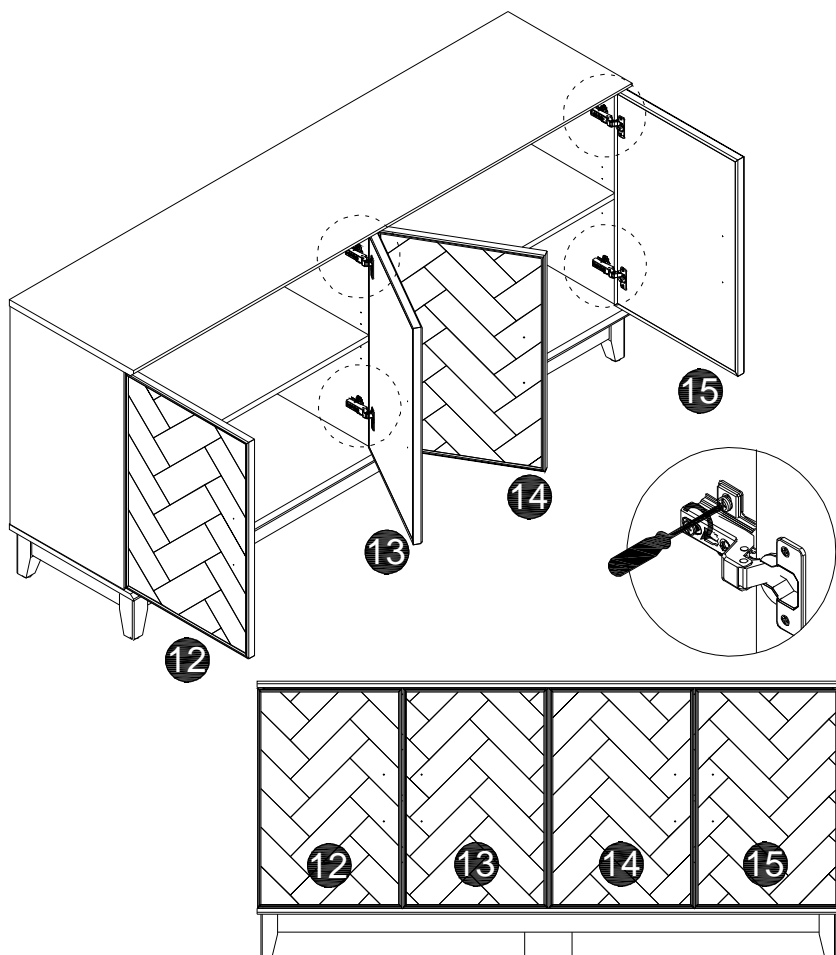
Please note that hinges H and I are different. Please install them on the corresponding numbered door panels as shown in the diagram.



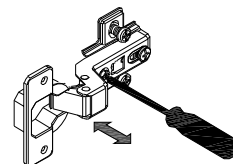
H	x4	I	x4	F	x16
					M3.5x16mm

# 13

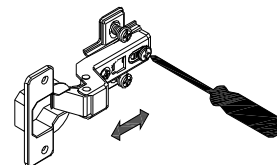
Kindly remind : When assembling the door panels, please pay attention to distinguishing the numbers and sequences , and ensure the continuity of the overall pattern of the door panels.



Align the screws with the reserved holes, adjust the position of the door up and down, and then tighten the screws.

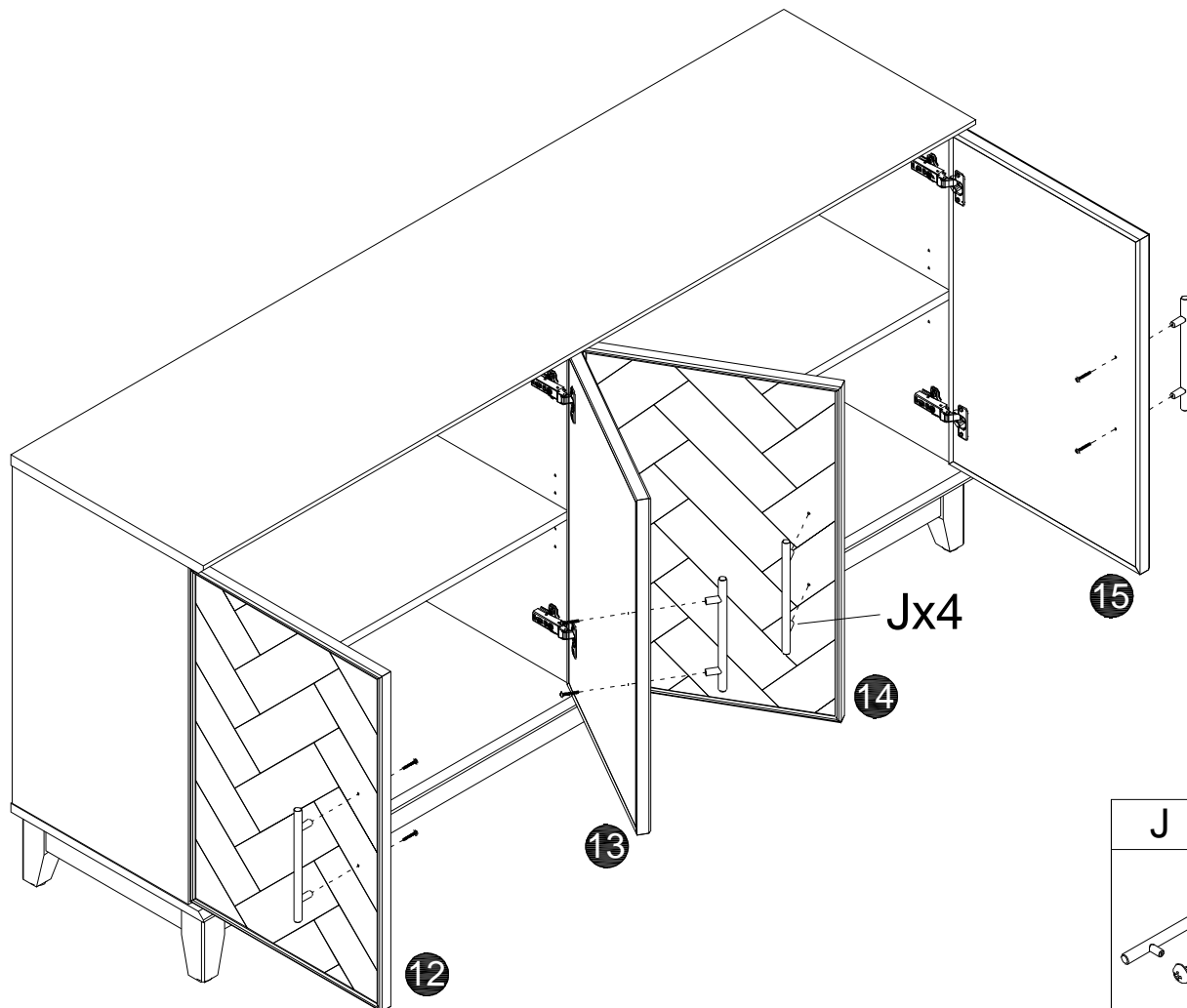


Adjust the left and right position of the door by rotating the screws counterclockwise or clockwise.

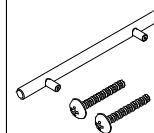


Loosen the screws, move the position of the door forward and backward. Then tighten the screws.

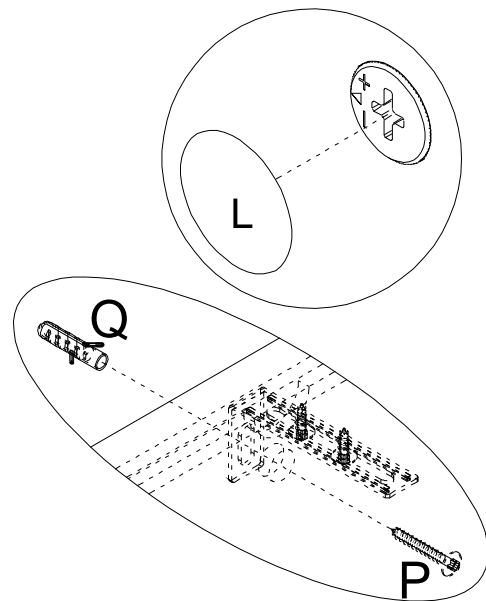
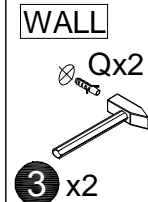
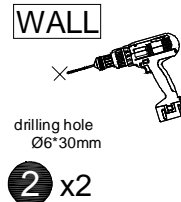
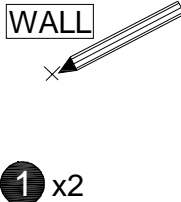
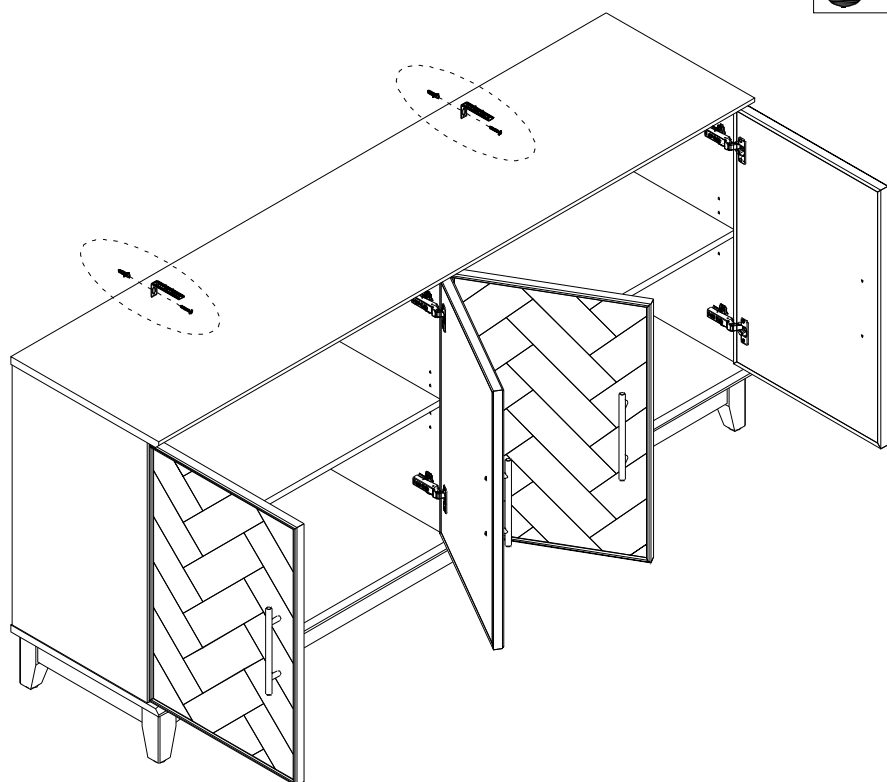
# 14



J	x4
---	----



# 15



L	x2	P	x2	Q	x2
Ø25		M5x38mm			

# 16

