

ASSEMBLY INSTRUCTION

Thank you for purchasing this quality product. Be sure to check all packing material carefully for small parts which may have come loose inside the carton during shipment. Separate, identify and count all parts and hardware. Compare with the parts list to be sure all parts are present.

IMPORTANT : PLEASE READ INSTRUCTION BEFORE STARTING THE ASSEMBLY.

"DO NOT TIGHTEN SCREWS UNTIL COMPLETELY ASSEMBLED"

"DO NOT OVERTIGHT ANY HARDWARE"

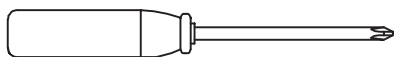
WARNING : SMALL PARTS AND HARDWARE NOT FOR CHILDREN UNDER 3 YEARS. ADULT ASSEMBLY REQUIRED.

TABLE OF CONTENTS

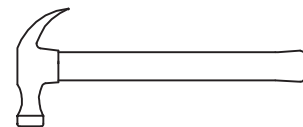
HARDWARES LIST	PAGE 2
PARTS LIST	PAGE 3 - 4
IMPORTANT NOTICE	PAGE 5
PARTS' LOCATION	PAGE 6
ASSEMBLY STEPS	PAGE 7 - 10
ASSEMBLY COMPLETED	PAGE 10

ASSEMBLY TOOLS REQUIRED

1. Screwdriver (not provide)



2. Hammer (not provide)

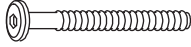
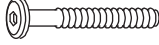
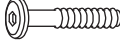


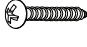



Skip the power drill this time.



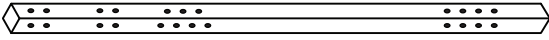
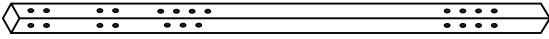
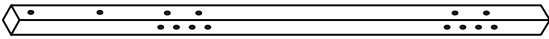
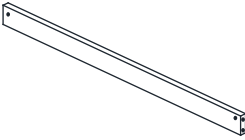
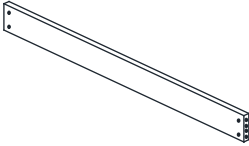
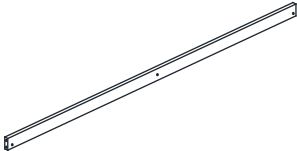
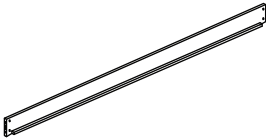
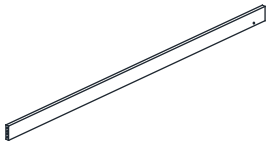
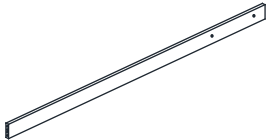
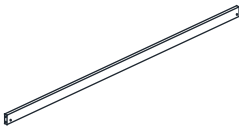

ASSEMBLY INSTRUCTION

HARDWARES LIST

ITEM	DESCRIPTION	DRAWING	QTY
A	JCBC SCREW M6 x 90MM		46 PCS
B	JCBC SCREW M6 x 55MM		22 PCS
C	JCBC SCREW M6 x 30MM		3 PCS
D	M4 ALLEN KEY (100MM)		1 PC
E	BARREL NUT M6 x 13MM		52 PCS
F	CSK SCREW M4 x 25MM		52 PCS
G	WOOD DOWEL M10 x 40MM		38 PCS

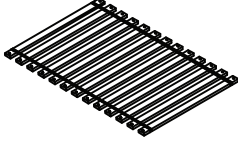
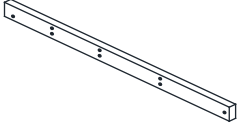
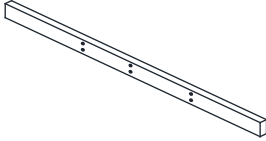
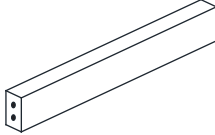
ASSEMBLY INSTRUCTION

PARTS LIST

ITEM	DESCRIPTION	DRAWING	QTY
1	POST (i)		2 PCS
2	POST (ii)		1 PC
3	POST (iii)		1 PC
4	NARROW RAIL		4 PCS
5	WIDE RAIL		4 PCS
6	BACK SAFETY RAIL		2 PCS
7	BACK SIDE RAIL, UPPER BED		1 PC
8	BACK SIDE RAIL, LOWER BED		1 PC
9	FRONT SIDE RAIL		2 PCS
10	FRONT SAFETY RAIL		2 PCS
11	SAFETY RAIL CLEAT		1 PC

ASSEMBLY INSTRUCTION

PARTS LIST

ITEM	DESCRIPTION	DRAWING	QTY
12	SLAT		2 PCS
13	LADDER SIDE (SHORT)		1 PC
14	LADDER SIDE (LONG)		1 PC
15	LADDER STEP		4 PCS

ASSEMBLY INSTRUCTION

IMPORTANT NOTICE

- Use only Mattresses - 74" - 75" long and 37 1/2" - 38 1/2" wide on the upper bunk.
- Use only Mattresses - 74" - 75" long and 38" - 38 1/2" wide on the lower bunk.
- Ensure thickness of mattresses does not exceed 7" and mattresses is at least 5" below upper edge of guardrails.
- Check that you have all parts and hardware before assembly. Parts apparently missing are often found in the packing materials.
- Replacement parts, including additional guardrails, may be obtained from any of retailers purchased from.

SAFETY WARNING

- Follow the information on the warnings appearing on the upper bunk end structure and on the carton. Do not remove warning label from bed.
- Always use the recommended size mattresses or mattress support, or both, to help prevent the likelihood of entrapment or falls.
- Surface of mattress must be at least 5 in. (127 mm) below the upper edge of guardrails.
- Do not allow children under 6 years of age to use the upper bunk.
- Periodically check and ensure that the guardrail, ladder, and other components are in their proper position, free from damage, and that all connectors are tight.
- Do not allow horseplay on or under the bed and prohibit jumping on the bed.
- Always use ladder for entering and leaving upper bunk.
- Do not use substitute parts. Contact the retailer or dealer for replacement parts.
- Use of a night light may provide added safety precaution for a child using the upper bunk.
- Always use guardrails on both long sides of the upper bunk. If the bunk bed will be placed next to the wall, the guardrail that runs the full length of the bed should be placed against the wall to prevent entrapment between the bed and wall.
- The use of water or sleep flotation mattresses is prohibited.

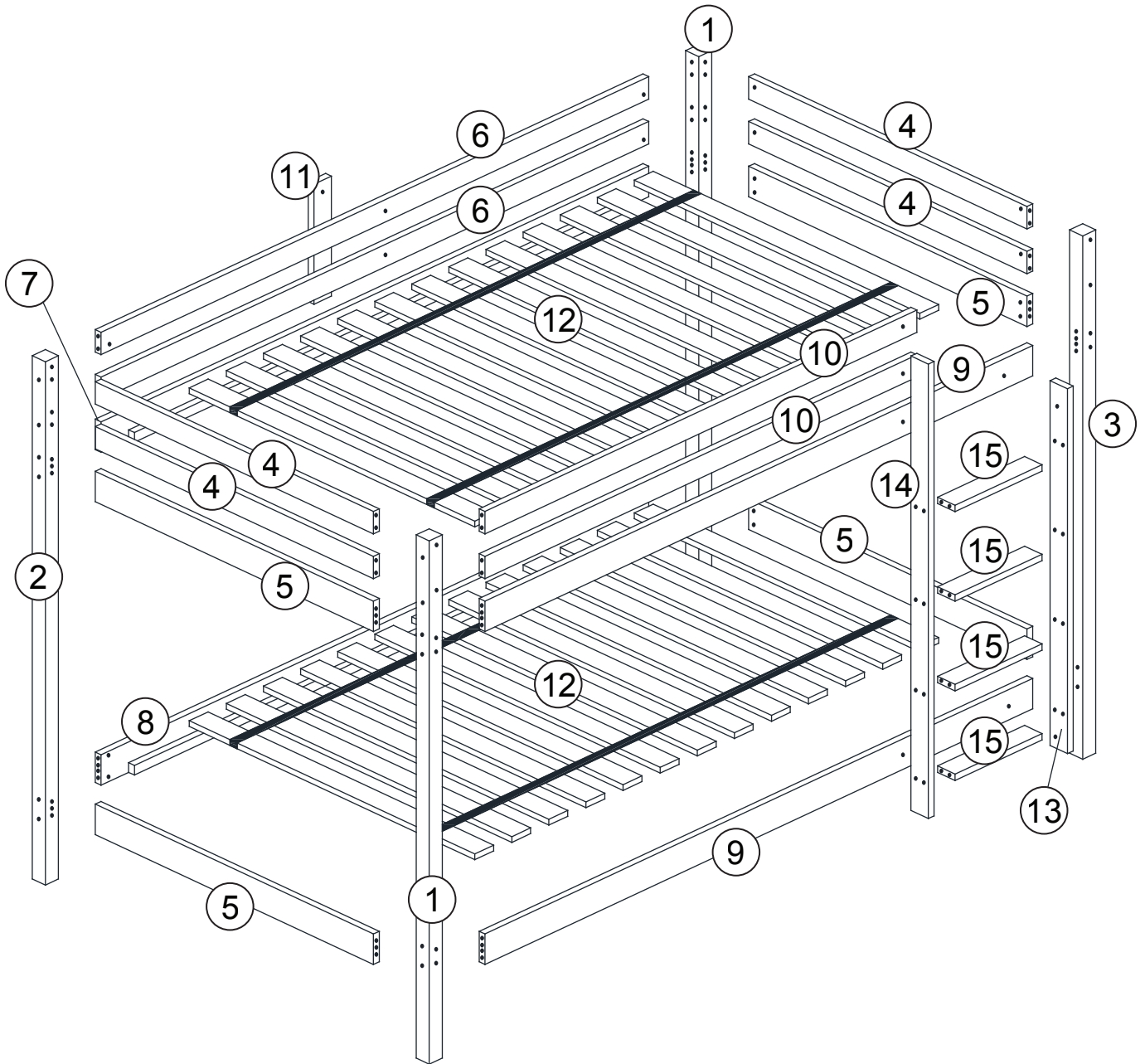
STRANGULATION HAZARD :

- Do not attach or hang items to any part of the bunk bed that are not designed for use with the bed; for example, but not limited to, hooks, belts, and jump ropes.
Keep these instructions for future reference.

PROHIBIT MORE THAN ONE PERSON ON UPPER BUNK

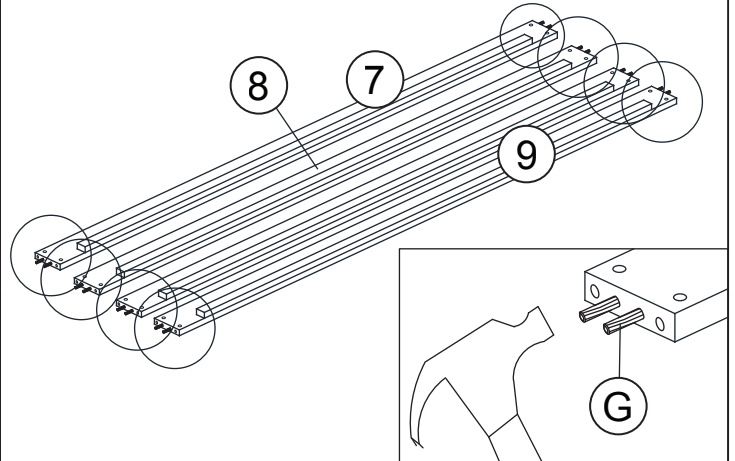
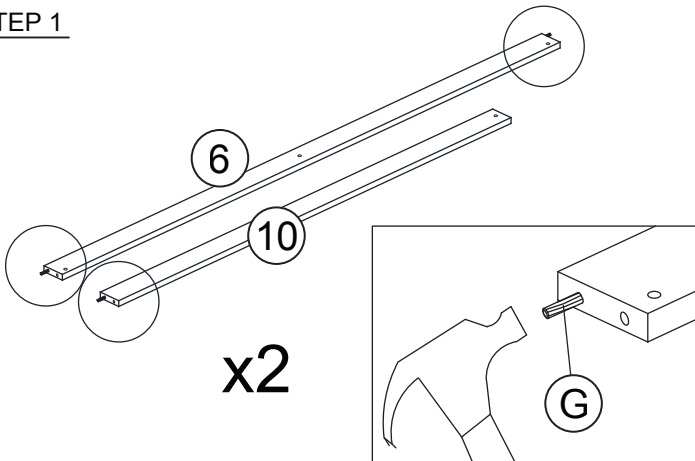
ASSEMBLY INSTRUCTION

PARTS ' LOCATION

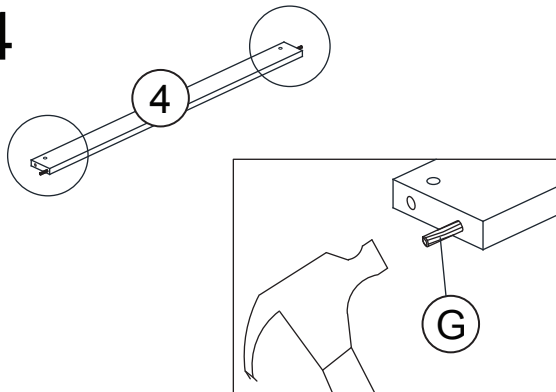


ASSEMBLY INSTRUCTION

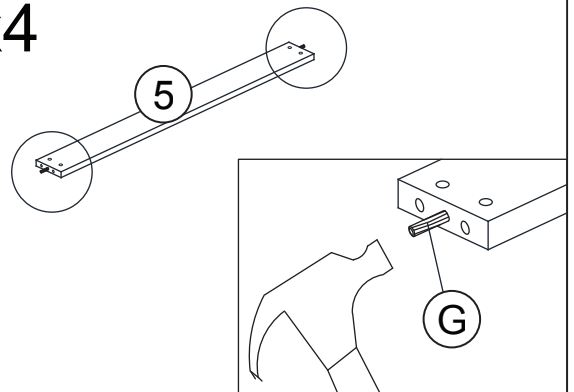
STEP 1



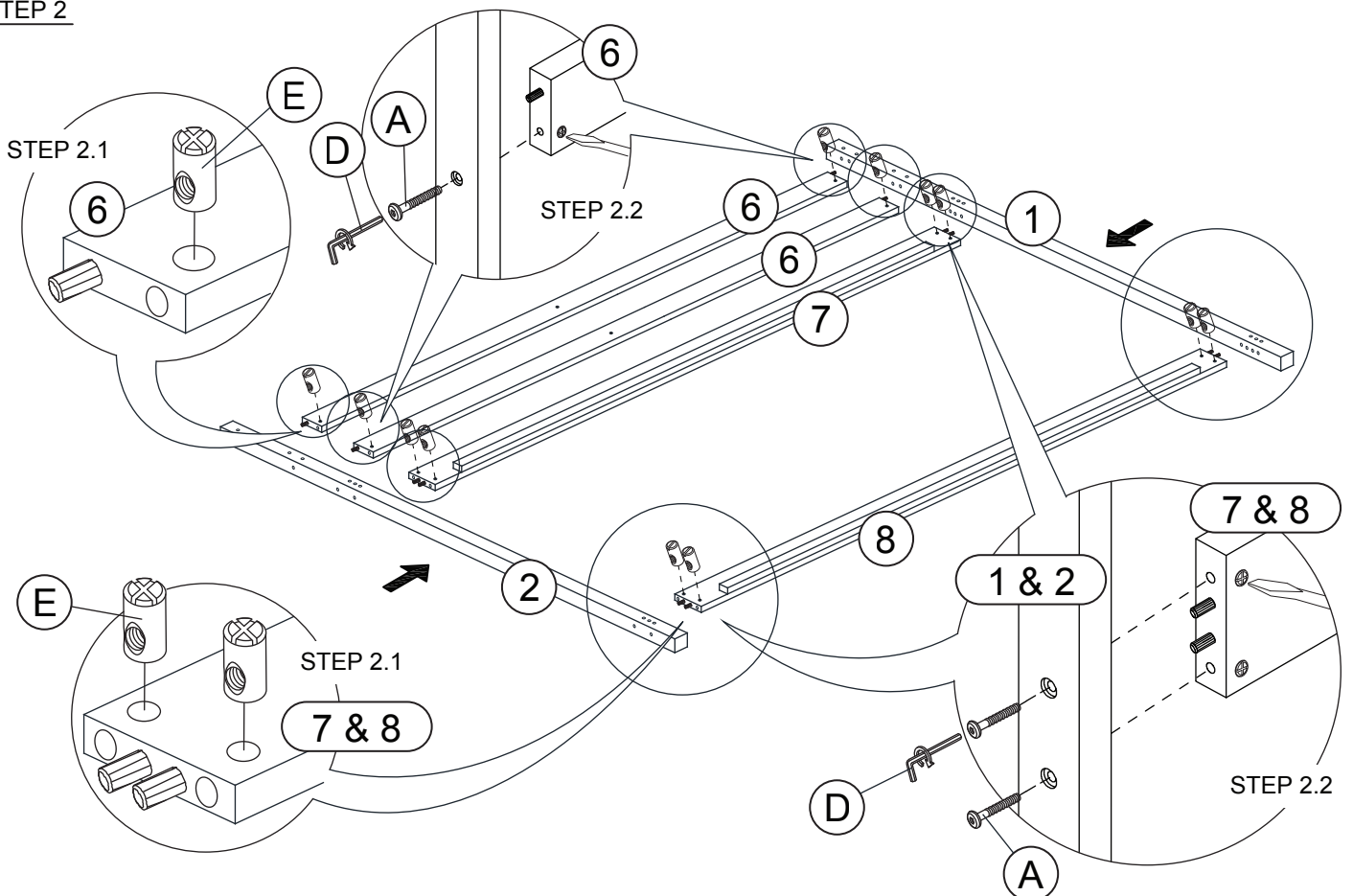
x4



x4

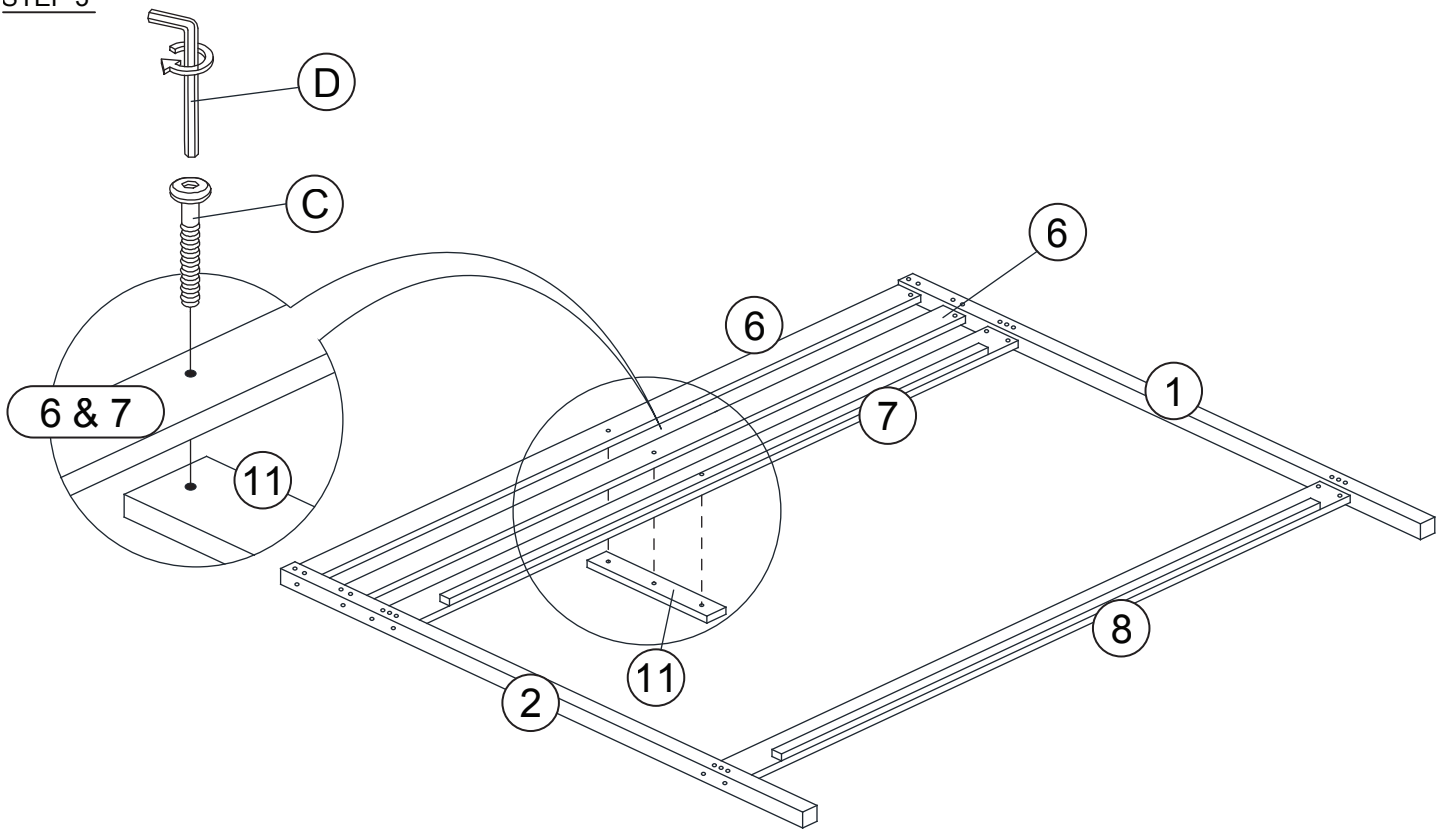


STEP 2

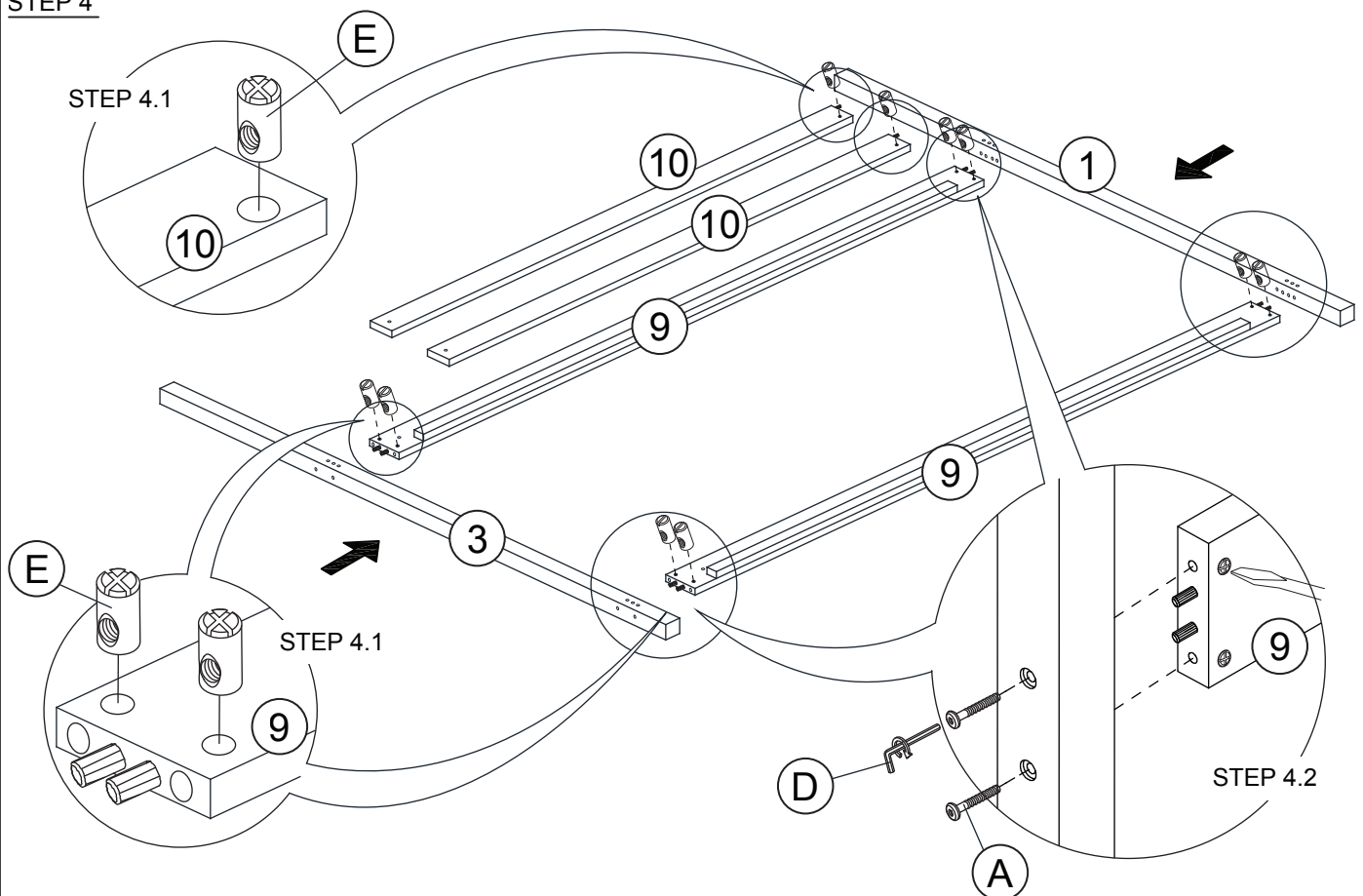


ASSEMBLY INSTRUCTION

STEP 3

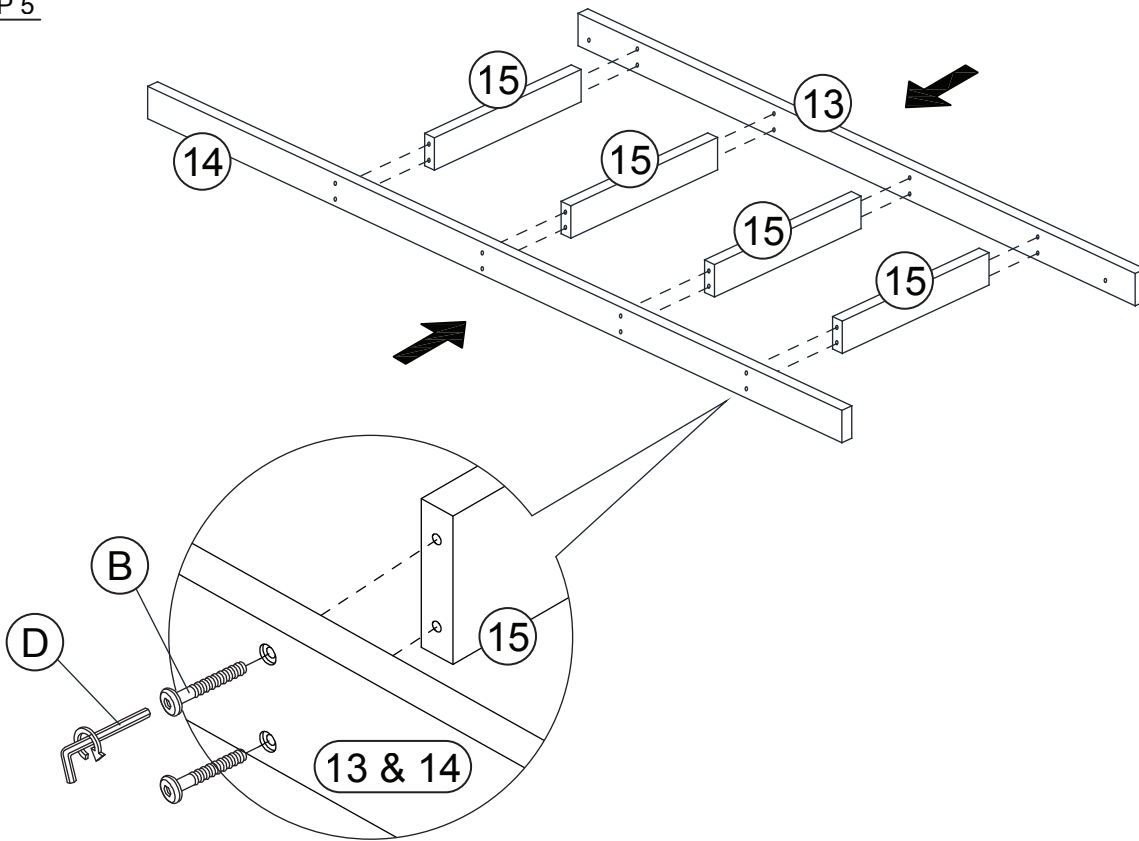


STEP 4

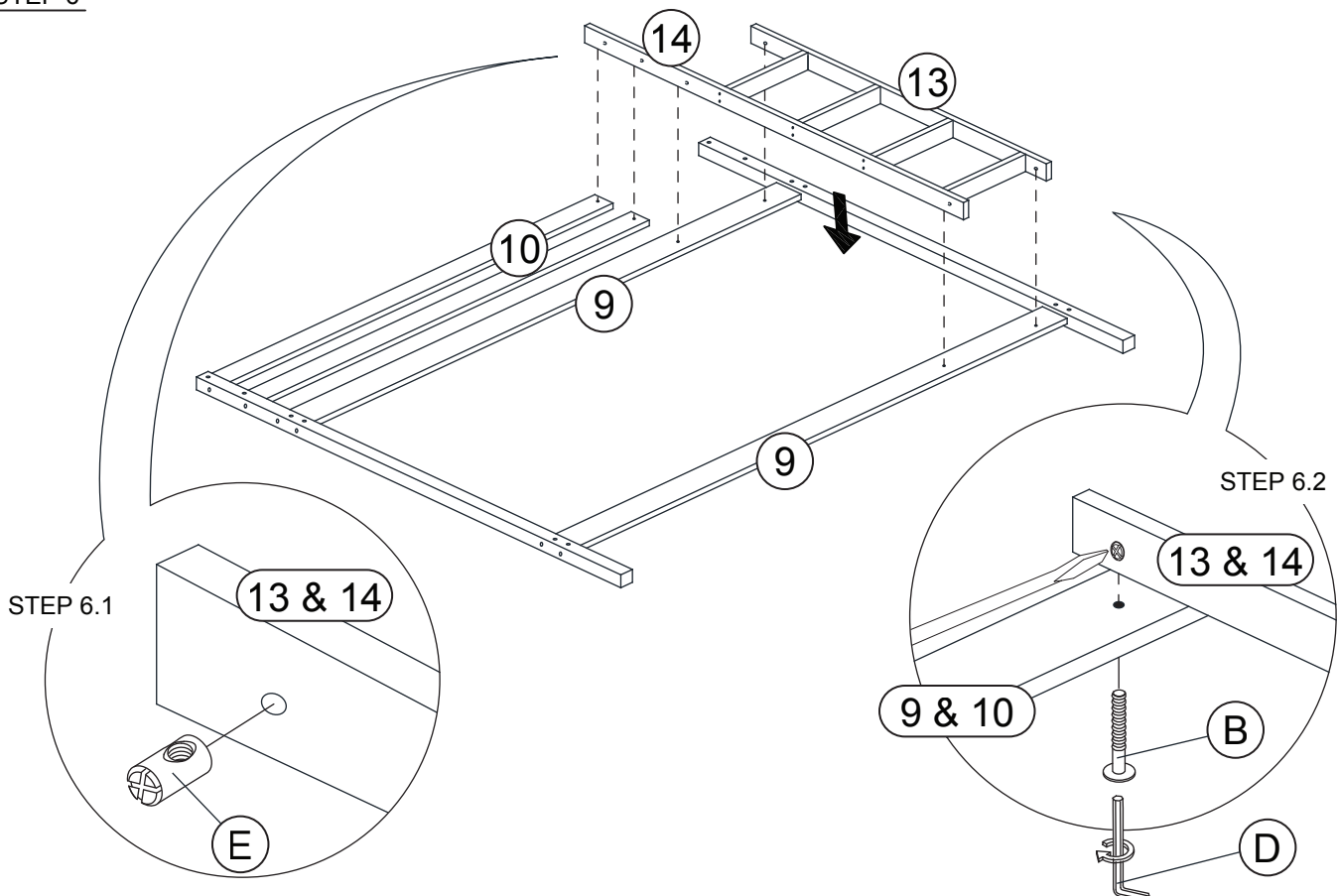


ASSEMBLY INSTRUCTION

STEP 5

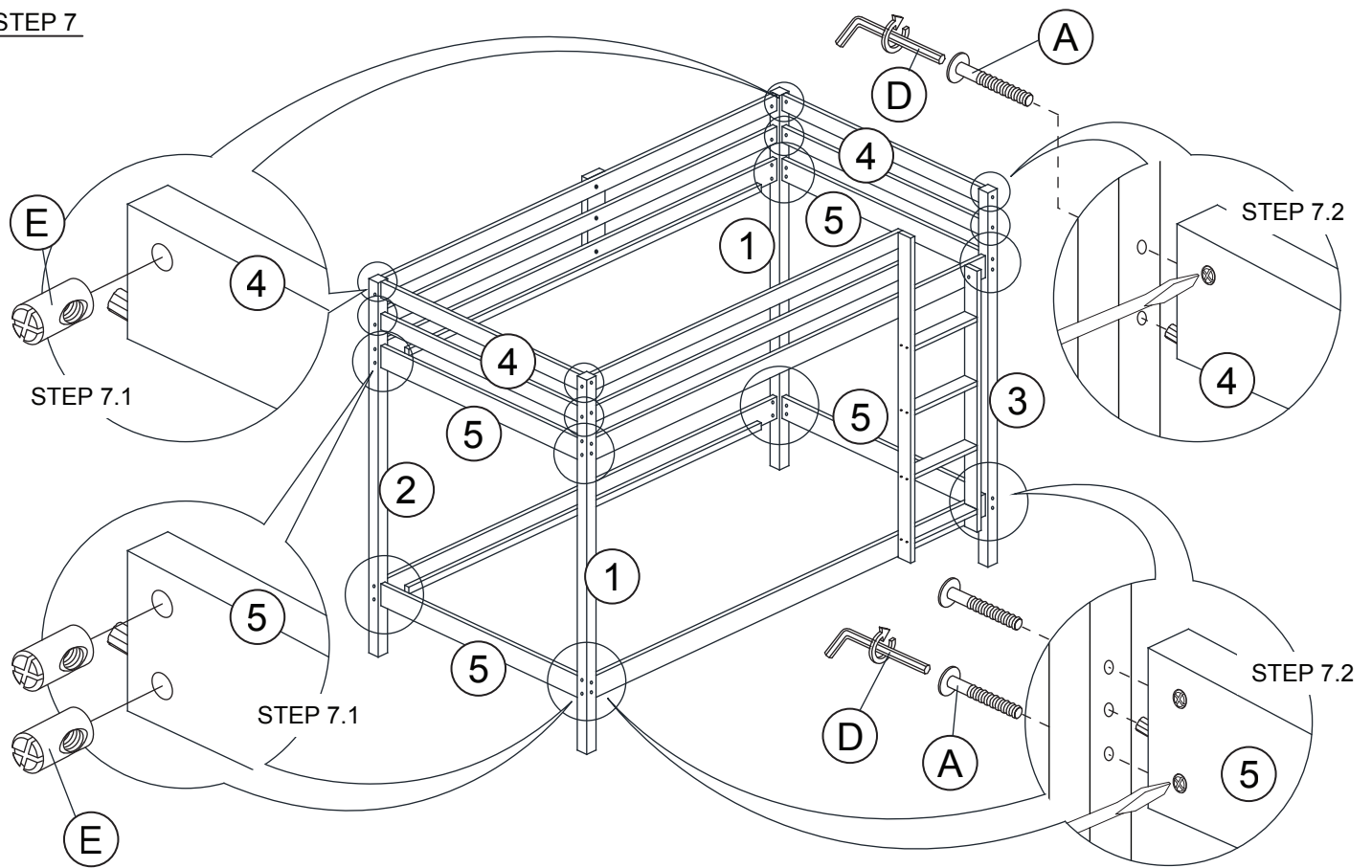


STEP 6

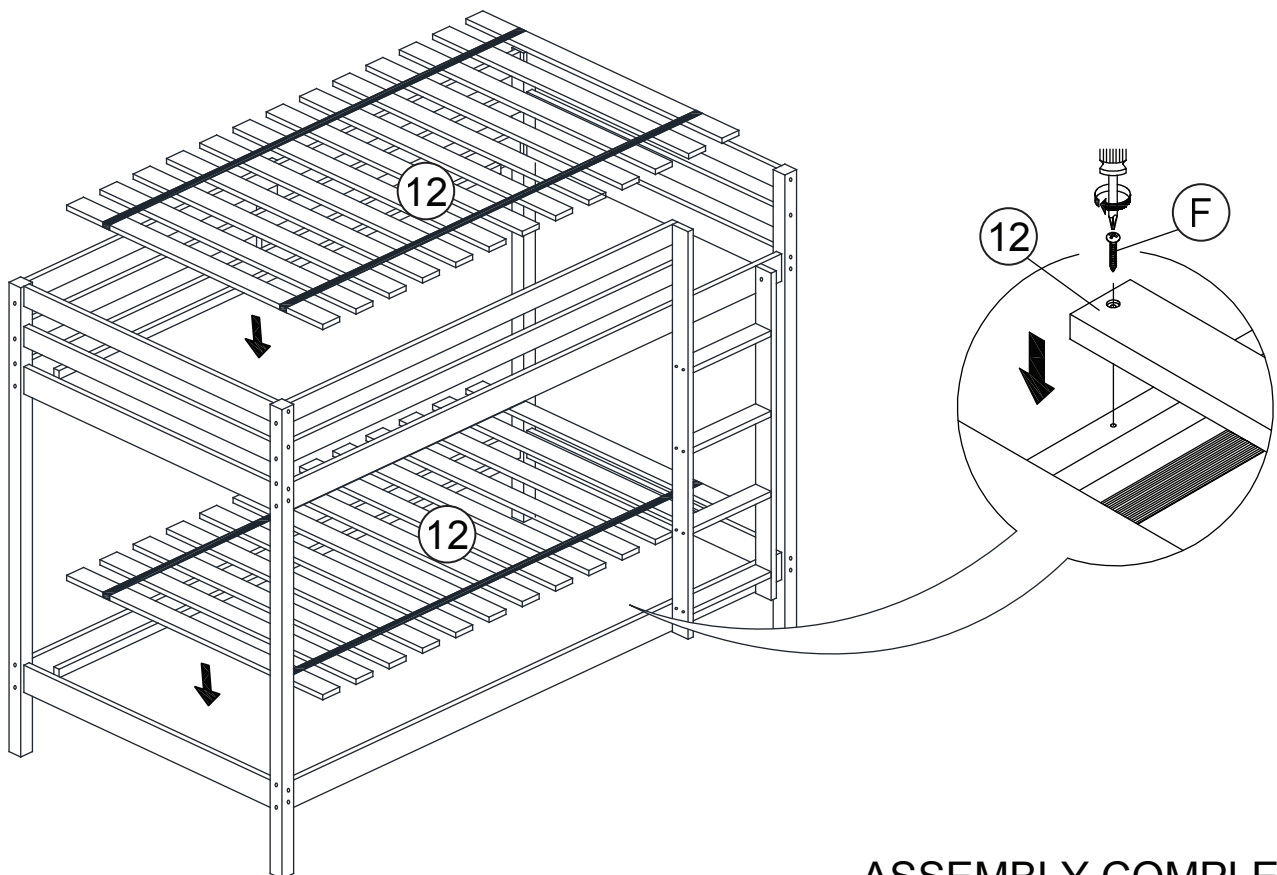


ASSEMBLY INSTRUCTION

STEP 7



STEP 8



ASSEMBLY COMPLETED

ASSEMBLY INSTRUCTION

This sticker was stucked at one of the NARROW RAIL (4)



WARNING

TO HELP PREVENT

serious or fatal injuries from entrapment or falls

- Never allow a child under 6 years on upper bunk
- Use only mattress which is 74"~75" long and 37 $\frac{1}{2}$ "~38 $\frac{1}{2}$ " wide on upper bunk
- Ensure thickness of mattress does not exceed 7" and mattress surface is at least 5" below upper edge of guardrails
- Use guardrails on both sides of upper bunk

- Prohibit horseplay on or under bed (s)
- Prohibit more than one person on upper bunk
- Use ladder for entering and leaving upper bunk

STRANGULATION HAZARD:

Never attach or hang items to any part of the bunk bed that are not designed for use with the bed; for example, but not limited to, hook, belts, and jumprobes.

DO NOT REMOVE THIS LABEL

Assembly the narrow rail which stucked a warning label on top as shown
STICKER

