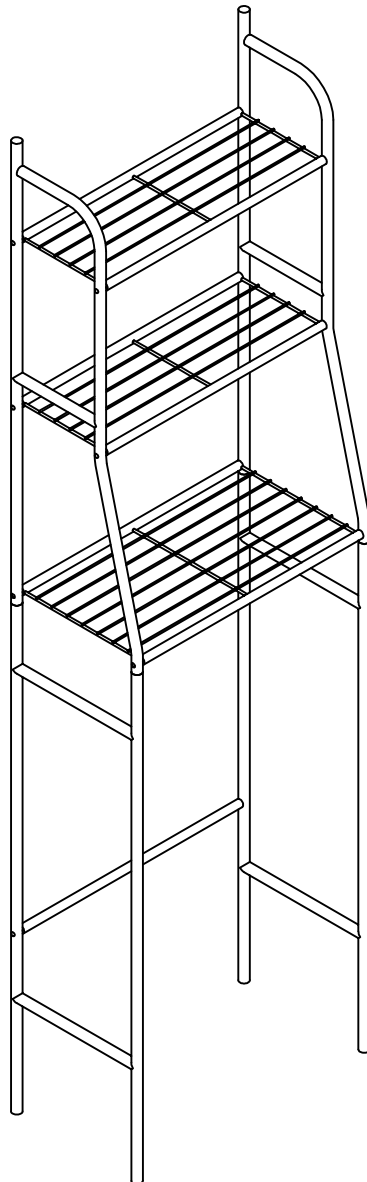


# ASSEMBLY INSTRUCTION

---

**ITEM#:223090 223091**



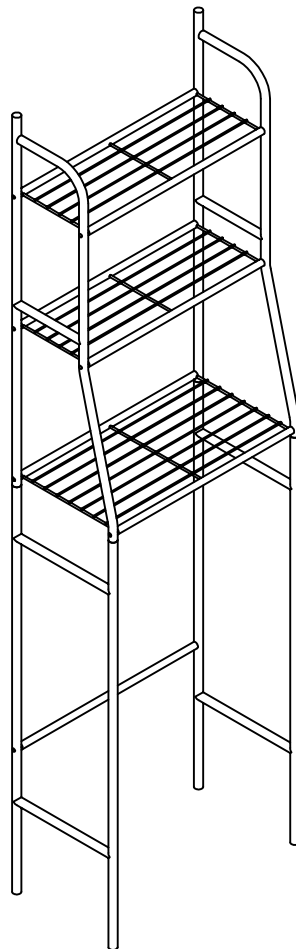
# ASSEMBLY INSTRUCTION

## **PLEASE READ BEFORE ASSEMBLING!**

Tip #1: Make sure you've taken all the pieces and hardware out of its packaging before discarding the box.

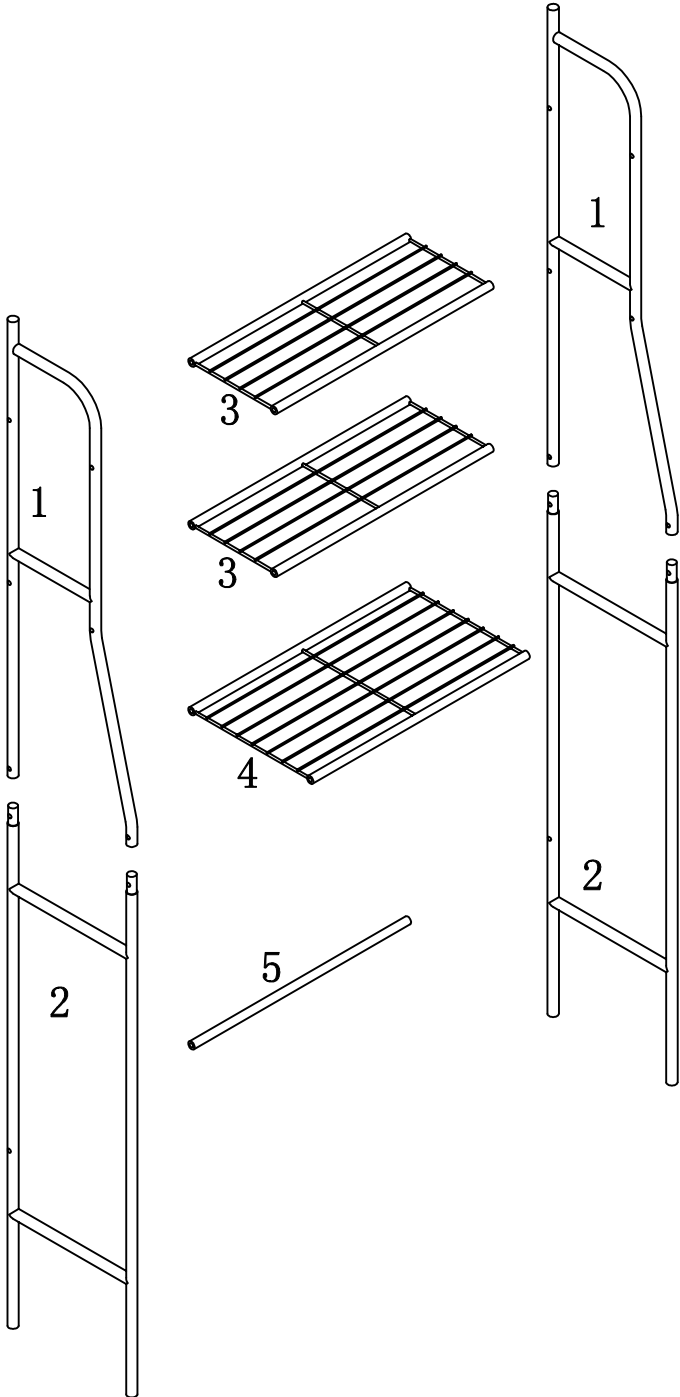
Tip #2: Using page 2 and/or page 3 of instruction manual make sure all pieces and hardware are accounted for.

**ITEM#:223090 223091**



# PARTS IDENTIFICATION

ITEM#:223090 223091



- (1) 2pcs
- (2) 2pcs
- (3) 2pcs
- (4) 1pc
- (5) 1pc

# HARDWARE IDENTIFICATION

ITEM#:223090 223091

A



$\Phi 6 \times 30$

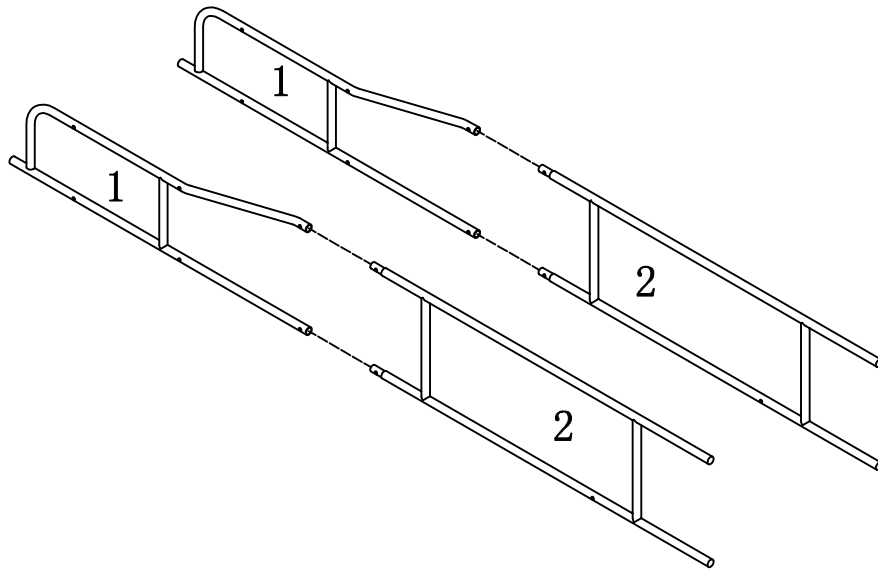
14PCS

B



M4

1PC



STEP1

STEP2

