

## NOTICE

\*Please make sure that you have all part indicated and they are in good condition before you begin assembly of this item. Refer to part list and hardware list below for guidance.

\*This item should be assembled on a soft surface to prevent scratching the finish during assembly.

\*This item may require periodic tightening.

\*If you are having difficulty, our friendly Customer Care team is always here to help.

## PREPARATION

\*Before beginning assembly of product, make sure all part are present. Compare part with part contents list and hardware contents list.

\*If any part is missing or damaged, do not attempt to assemble the product.

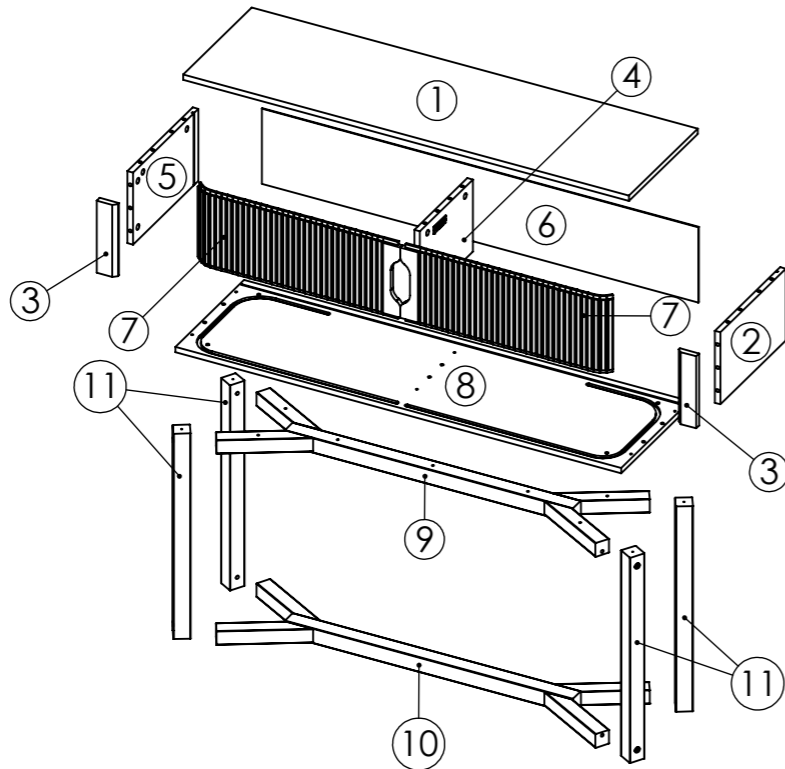
\*Estimated Assembly Time: 60 minutes.

\*Tools Required for Assembly (included): Allen Key

## CARE AND MAINTENANCE

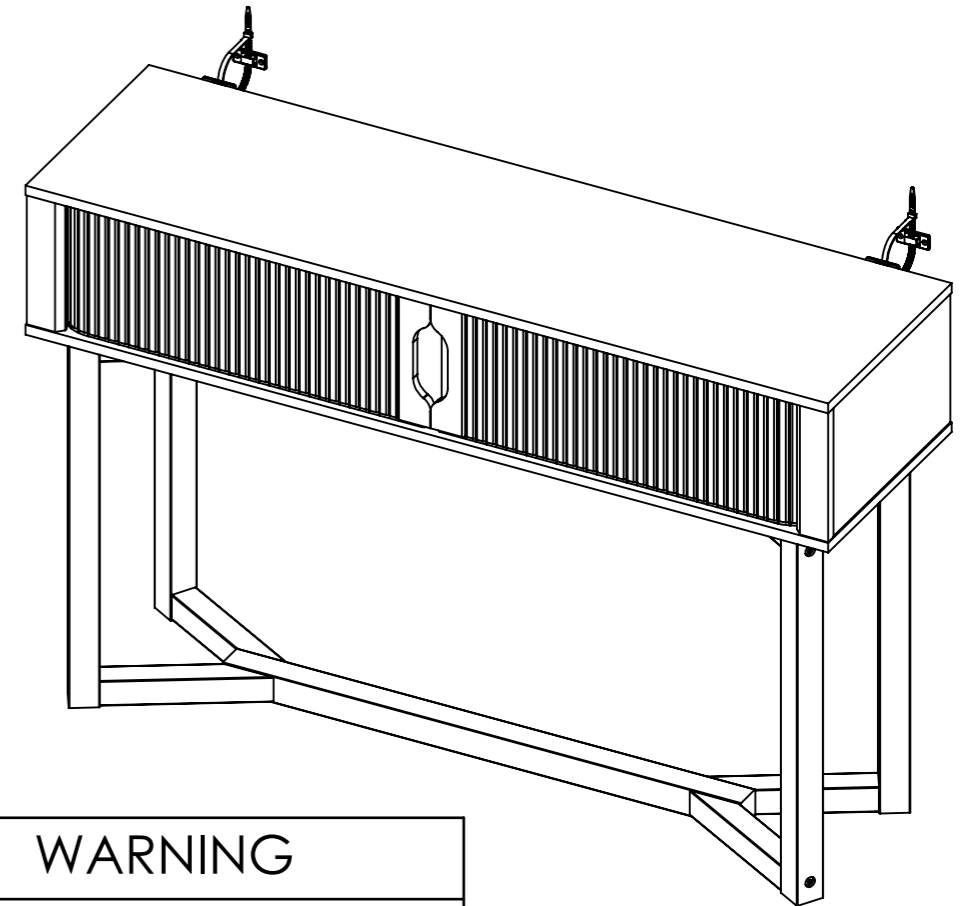
Adhesive felt pads should always be applied to areas of furniture which make direct contact with flooring, said application will prevent damage to the furniture and or surfaces on which the furniture lies. Objects placed on articles of furniture should rest on non abrasive material as to prevent damage to the wood finish. Objects whose composition consists of plastic and rubber are known to discolor and damage the wood surfaces on which they rest. Wipe up spills immediately and avoid common hazards such as hot dishes, harsh solvents and abrasives. Cleaning should be done with a soft lint free cotton cloth dampened with water or furniture polish. On highly used surfaces we recommend applying a quality paste wax which should be used on a regular basis to provide additional protection from scratches and spills. How often you apply the wax depends on how much wear the furniture receives.

## Part List



# OWNER MANUAL

Product Dimensions: W 47.24" x D 13.77" x H 31.77"



**WARNING**

**WEIGHT CAPACITY**  
Top Load Limit : 45 lbs  
Shelf Load Limit: 18 lbs

### WARNING



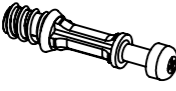
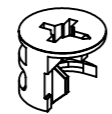


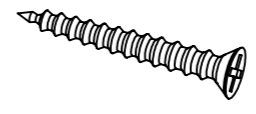

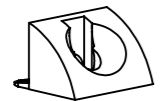
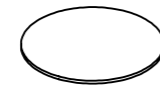

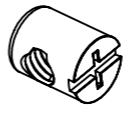

Children have died from furniture tipover. To reduce the risk of furniture tipover:


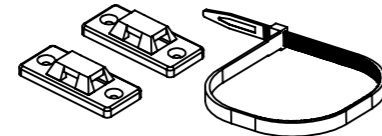
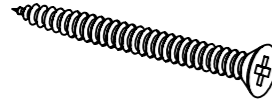
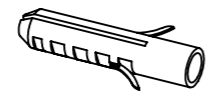
- ALWAYS install Anti-tip device provided.
- NEVER put a TV on this product.
- NEVER allow children to stand, climb or hang on drawers, doors, or shelves.
- NEVER open more than one drawer at a time.
- Place heaviest items in the lowest drawers.

*This is a permanent label.  
Do not remove!*



# Hardware List

<p>HW1x10</p>  <p>Ø6x32 mm</p>	<p>HW2x10</p>  <p>Ø15x12 mm</p>	<p>HW3x14</p>  <p>Ø8x32 mm</p>	<p>HW4x13</p>  <p>Ø6x50 mm</p>	<p>HW5x4</p>  <p>Ø7x32 mm</p>	<p>HW6x8</p>  <p>Ø4x19 mm</p>
<p>HW7x8</p> 	<p>HW8x22</p>  <p>Ø20 mm</p>	<p>HW9x1</p>  <p>L 4 mm</p>	<p>HW10x8</p>  <p>Ø10x12 mm</p>	<p>HW11x8</p>  <p>Ø6x70 mm</p>	

Anti-tip restraint pack	
<p>HW12</p>  <p>Ø6x15 mm</p>	<p>HW13x2</p> 
<p>HW14x4</p>  <p>Ø10x50 mm</p>	<p>HW15x4</p>  <p>Ø8x35 mm</p>

## Part List & HW

Piece	Description	Qty	Carton Call
1	Top Panel	1	1 of 1
2	Side Panel - Right	1	1 of 1
3	Plinth - Front	2	1 of 1
4	Center Panel	1	1 of 1
5	Side Panel - Left	1	1 of 1
6	Back Panel	1	1 of 1
7	Door Panel Left/Right	2	1 of 1
8	Bottom Panel	1	1 of 1
9	Frame Leg - Top	1	1 of 1
10	Frame Leg - Bottom	1	1 of 1
11	Legs Support	4	1 of 1

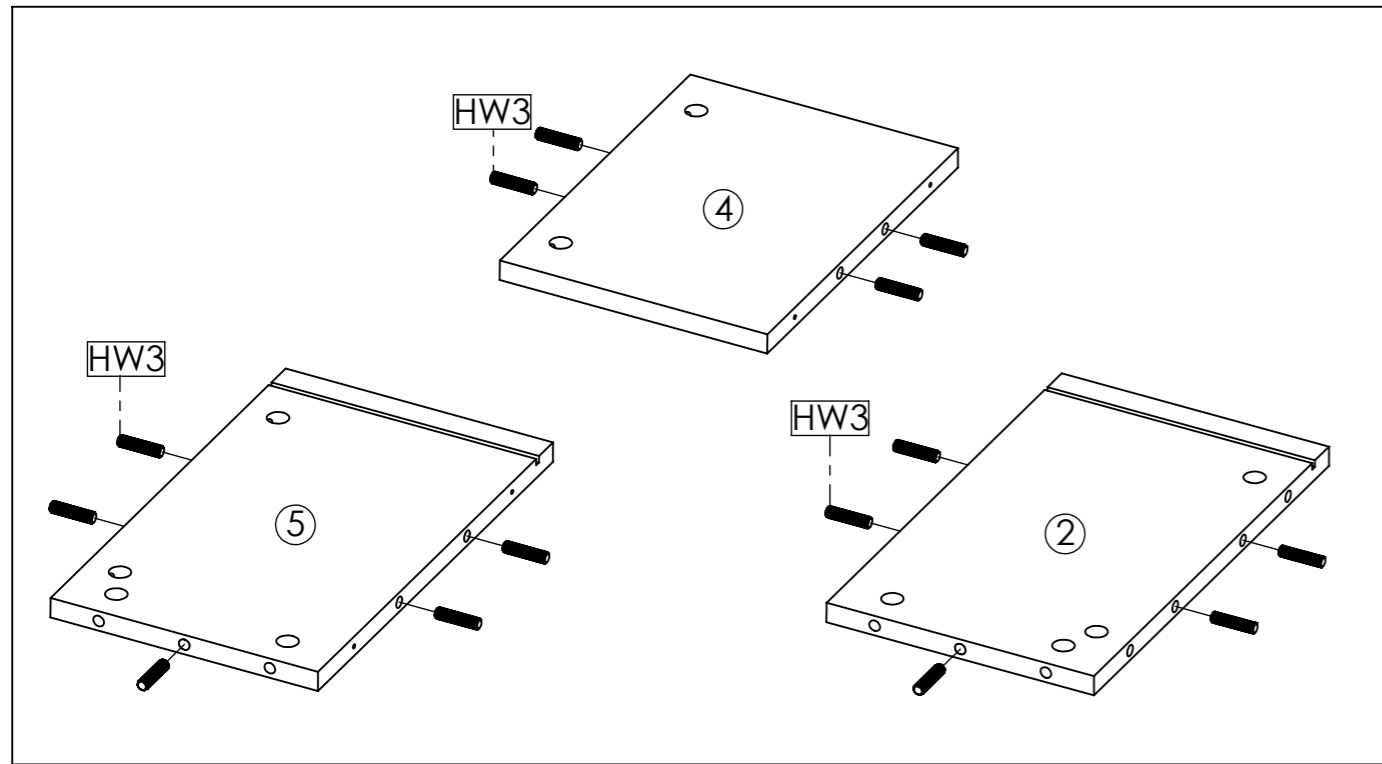
Piece	Description	Qty	Carton Call
HW1	Cambolt	10	1 of 1
HW2	Camlock	10	1 of 1
HW3	Wooden Dowel	14	1 of 1
HW4	Screw M6 x 50 mm	13	1 of 1
HW5	Screw M7 x 32 mm	4	1 of 1
HW6	Screw M4 x 19 mm	8	1 of 1
HW7	Plastic Stopper	8	1 of 1
HW8	Cover Cap Sticker	22	1 of 1
HW9	Allen Key	1	1 of 1
HW10	Cross Dowel	8	1 of 1
HW11	Allen Bolt M6 x 70 mm	8	1 of 1
HW12	Screw M6 x 15 mm	4	1 of 1
HW13	Anti-tip	2	1 of 1
HW14	Screw M10 x 50 mm	4	1 of 1
HW15	Fisher "S" 8	4	1 of 1

## PREPARATION

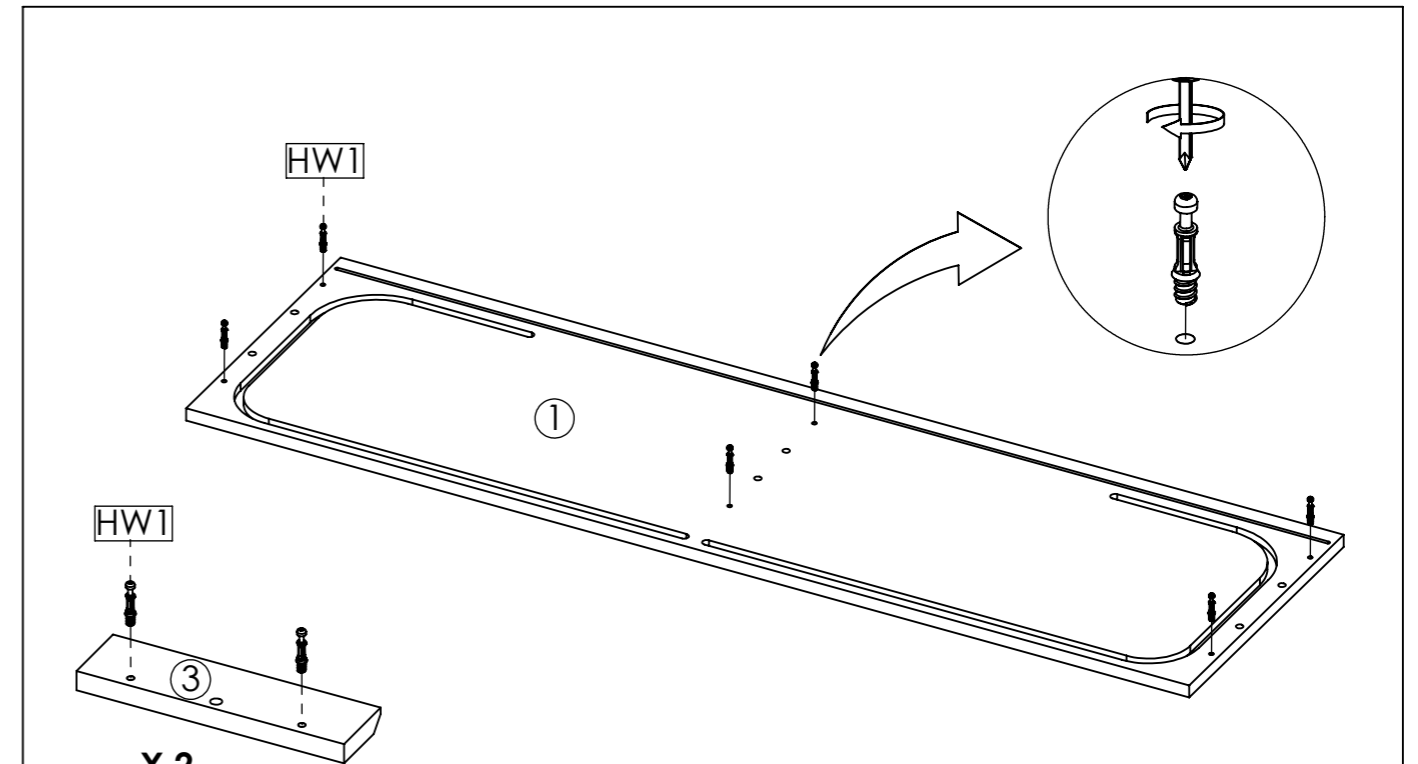
Before beginning assembly of product, make sure all part are present. Compare part with part contents list and hardware contents list.

If any part is missing or damaged, do not attempt to assemble the product.

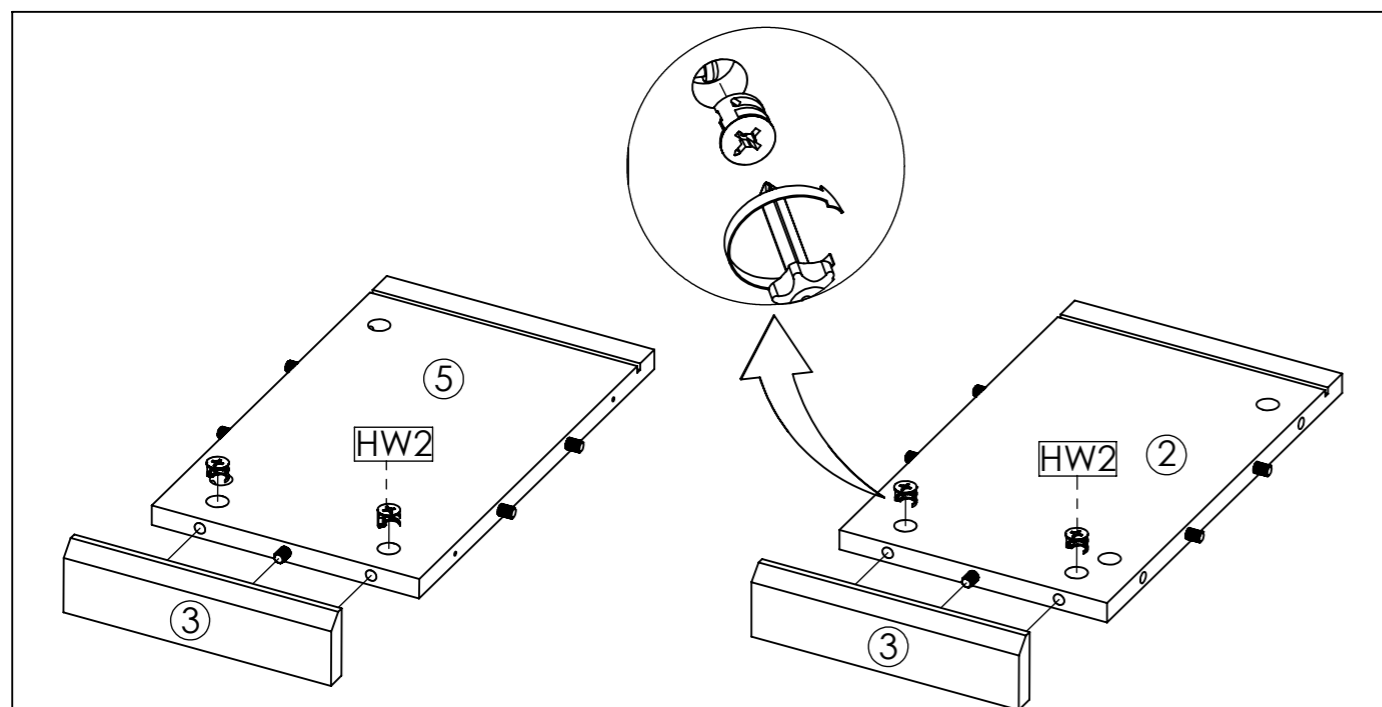
Estimated Assembly Time: 60 minutes.



**STEP1:** Insert Wooden Dowel (HW3), Into Side Panel - Right (2), Center Panel (4) And Side Panel - Left (5)

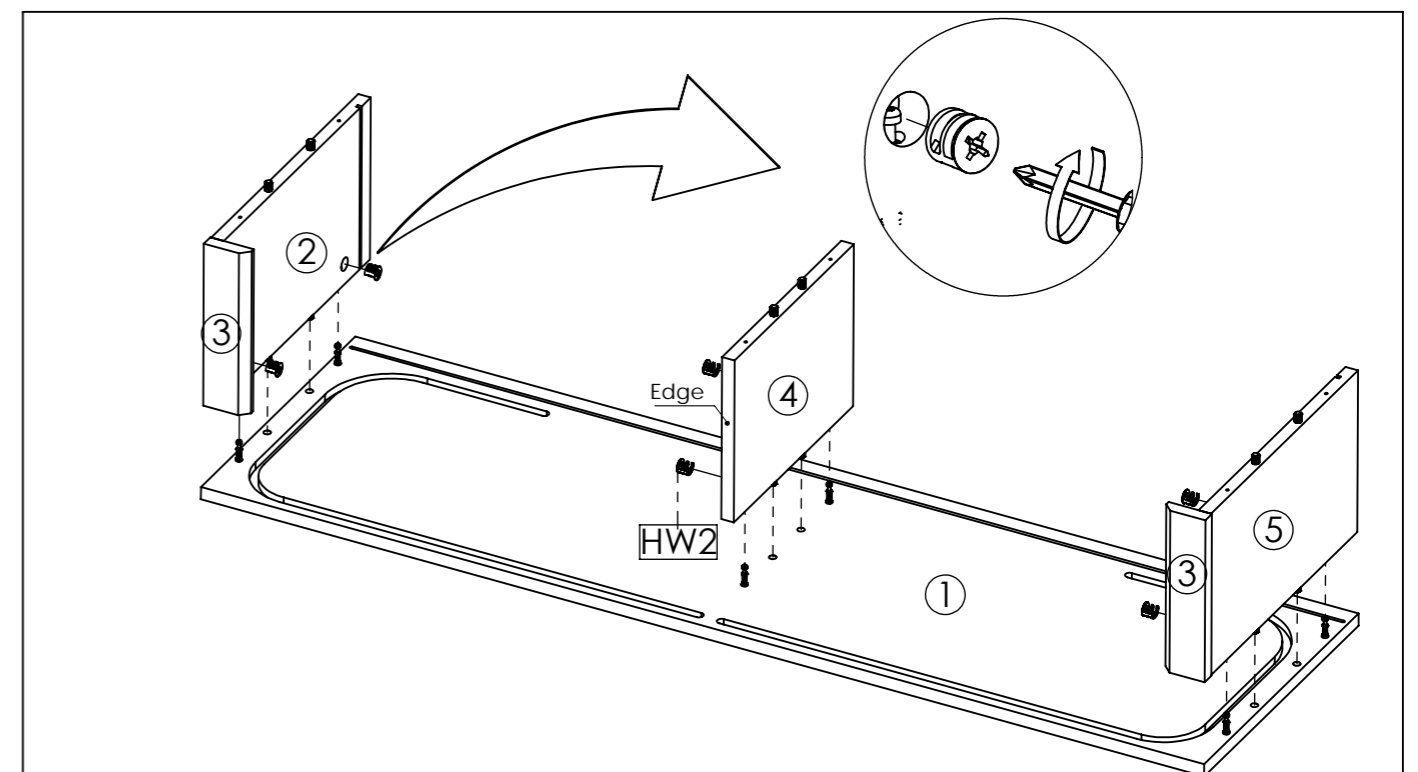


**STEP2:** Insert Cambolt (HW1) Into Top Panel (1) And Plinth - Front (3)

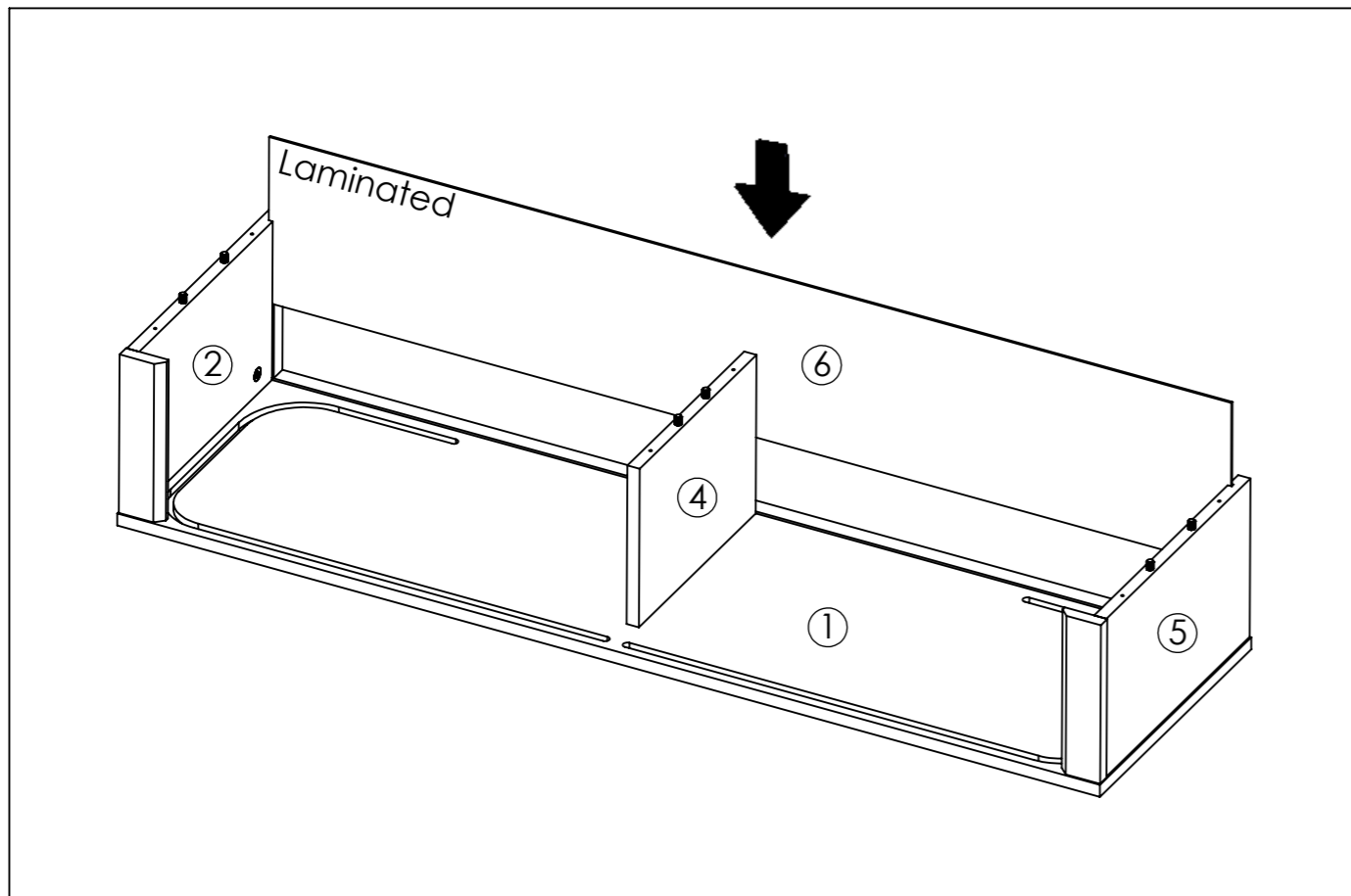


**STEP3:** Insert Plinth - Front (3) Into Side Panel - Right (2) Secure with Camlock (HW2) tighten it using screwdriver.

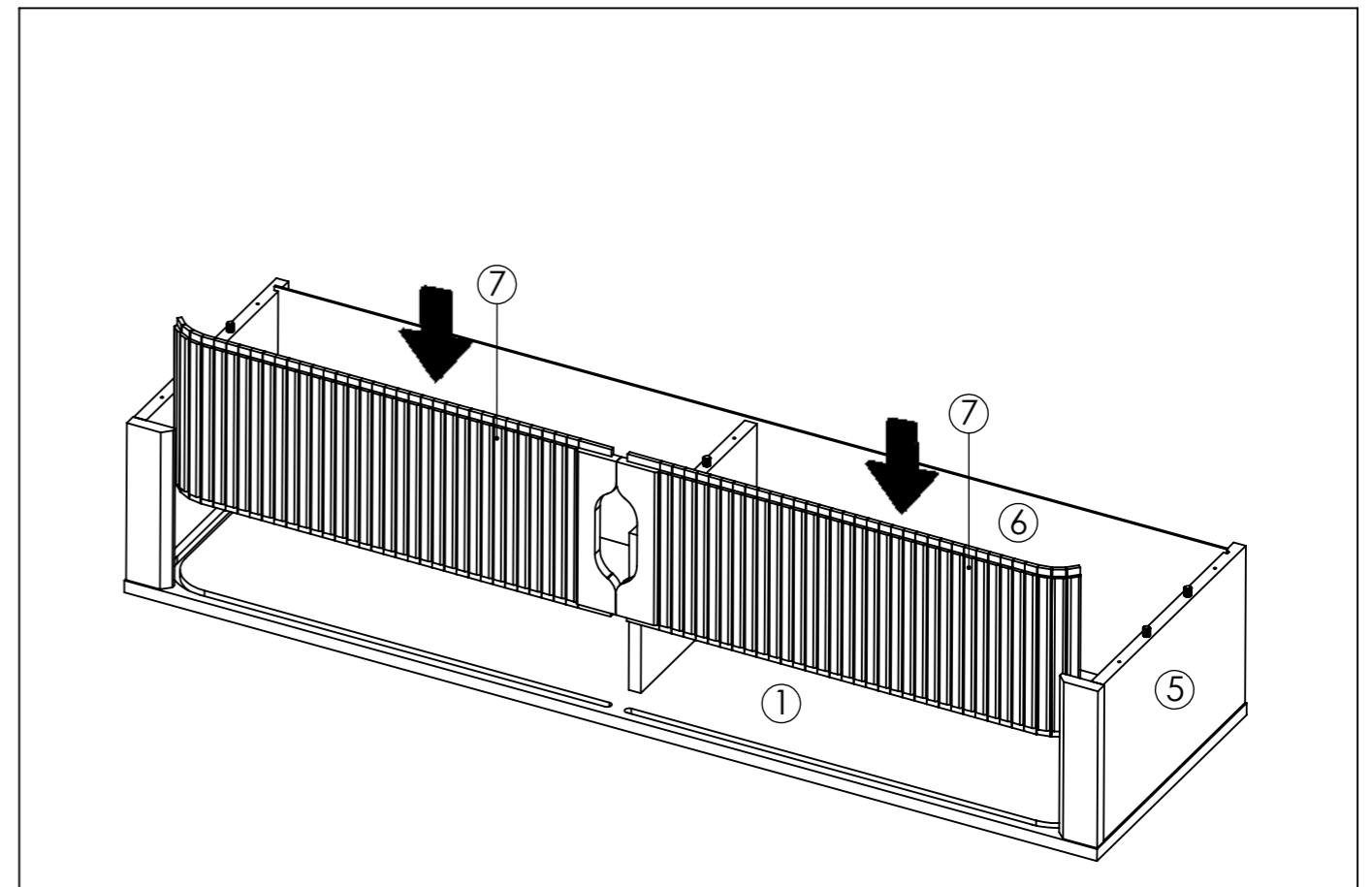
Insert Plinth - Front (3) Into Side Panel - Left (5) Secure with Camlock (HW2) tighten it using screwdriver.



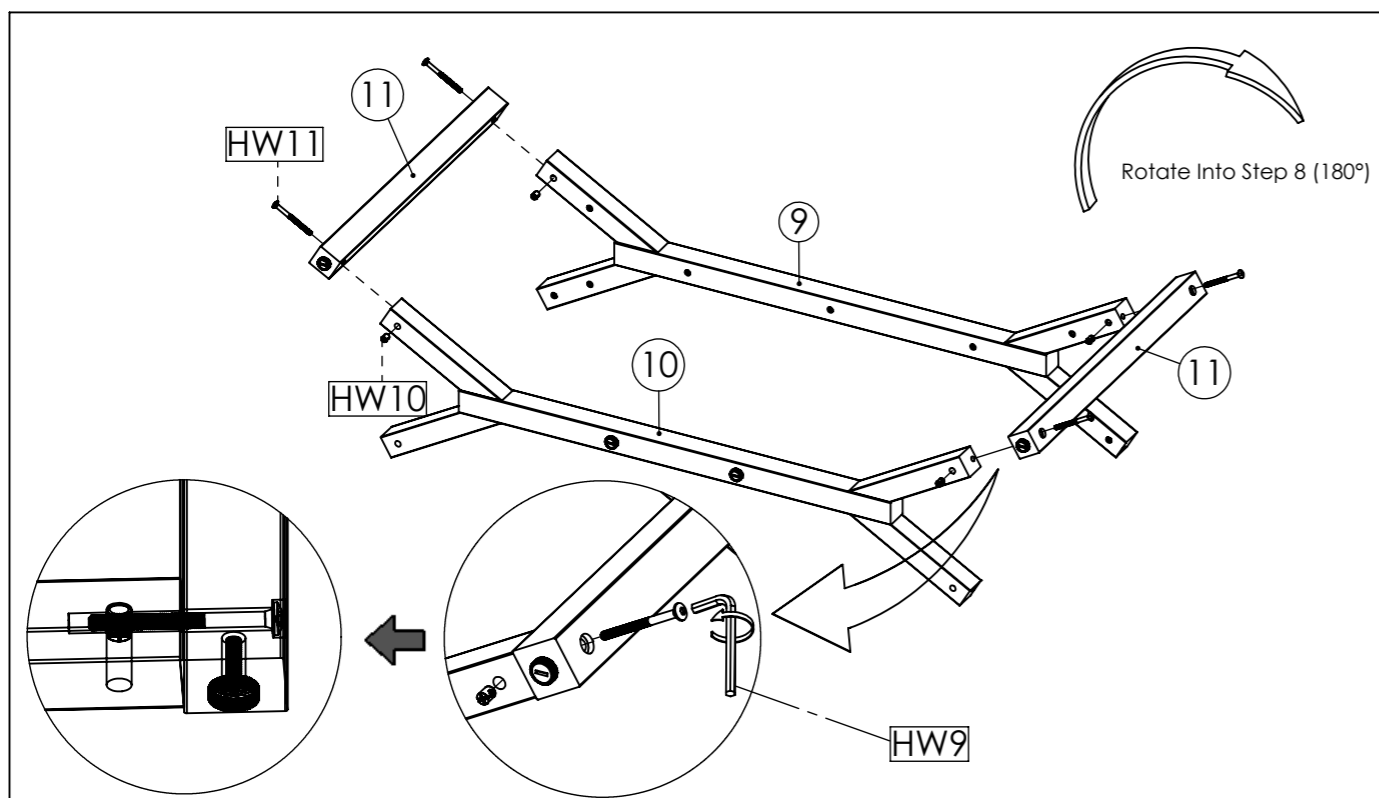
**STEP4:** Insert Side Panel - Right (2), Center Panel (4) And Side Panel - Left (5) Into Top Panel (1) Secure with Camlock (HW2) tighten it using screwdriver.



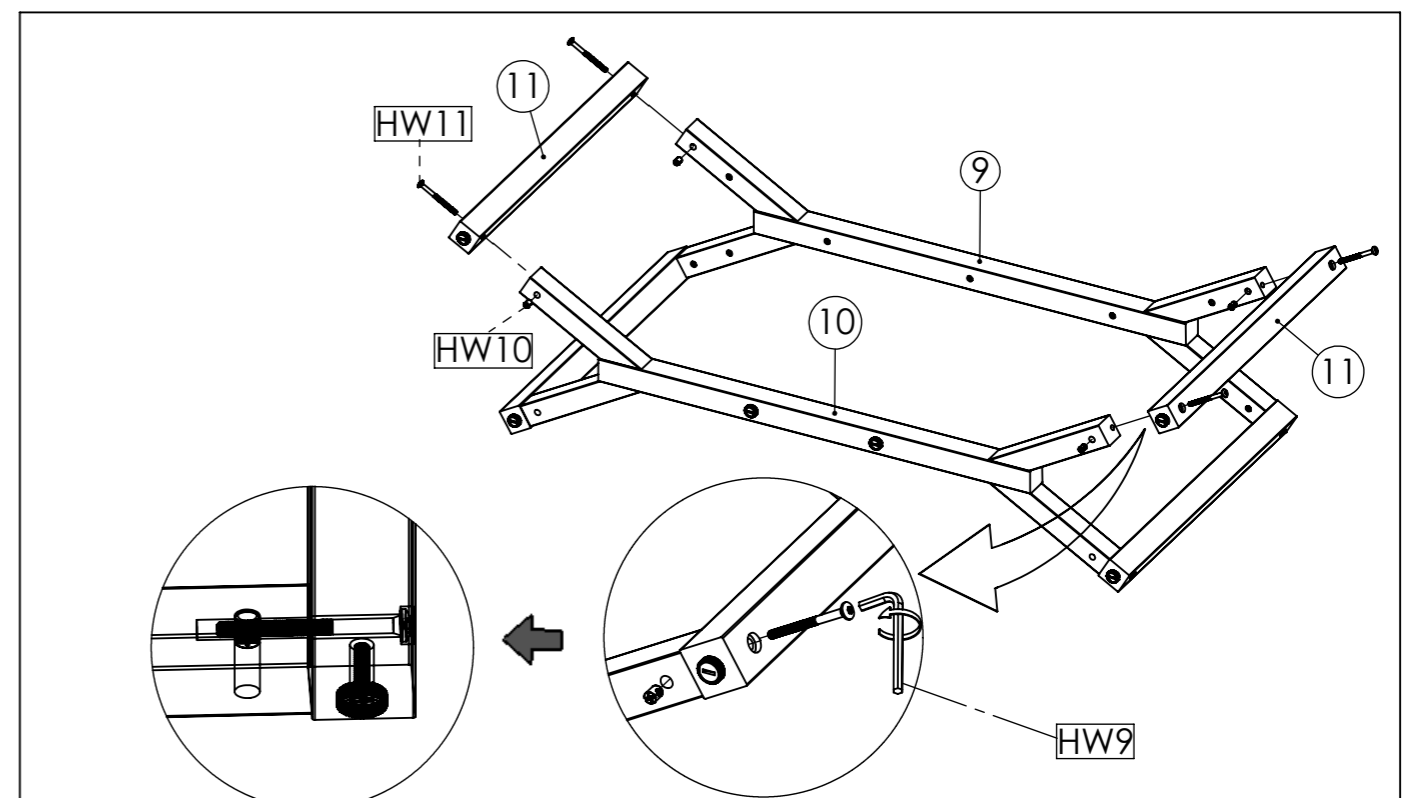
**STEP5:** Insert Back Panel (6)



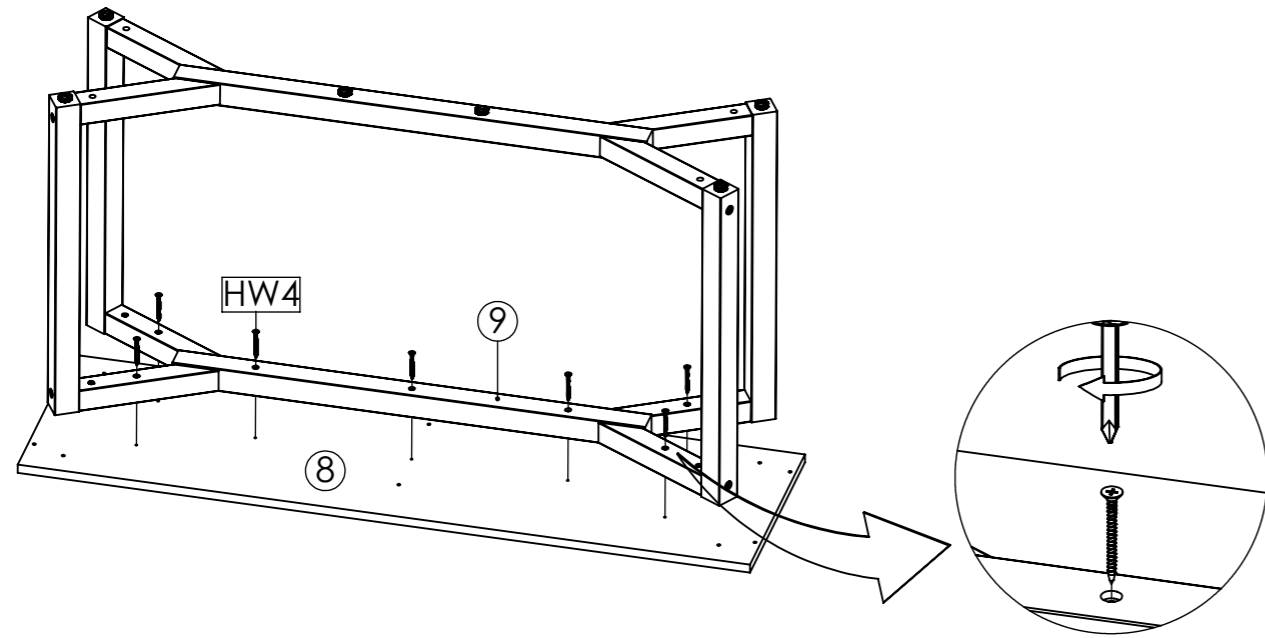
**STEP6:** Insert Door Panel (7) Into Top Panel (1)



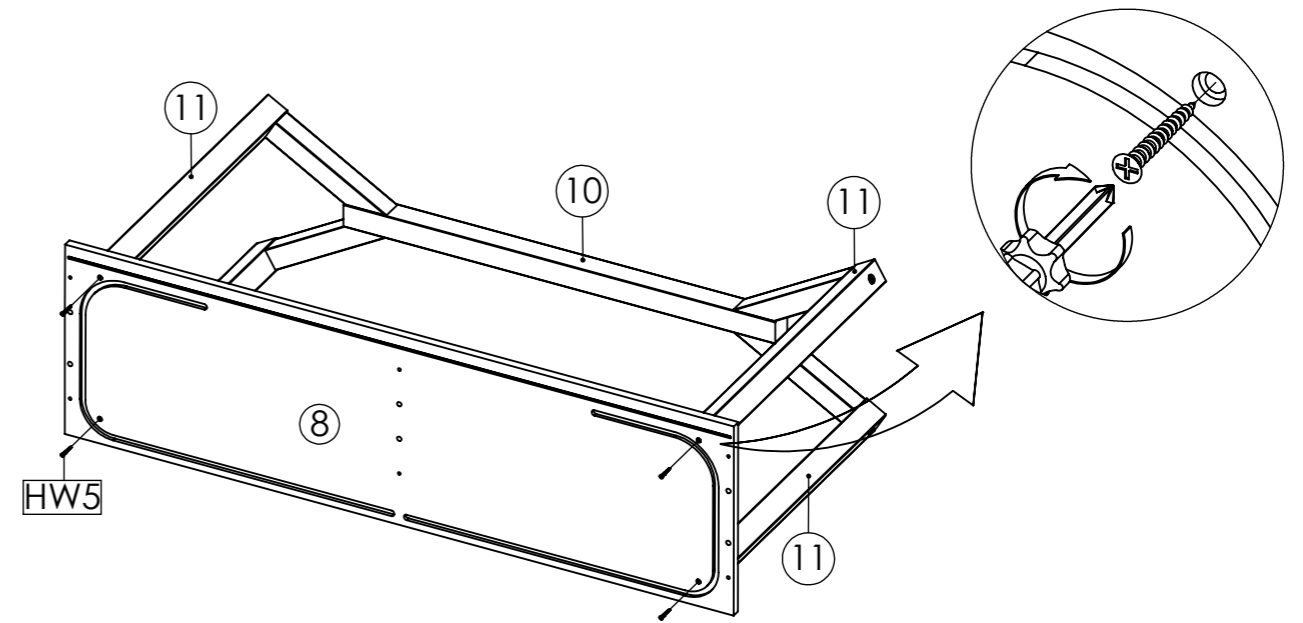
**STEP7:** Attach Legs Support (11) into Frame Leg - Top (9) And Frame Leg - Bottom (10), Continue Insert Cross Dowel (HW10) Into Frame Leg - Top (9) And Frame Leg - Bottom (10), Secure with Allen Bolt M6 x 70 mm (HW11), tighten it using Allen Key (HW9).



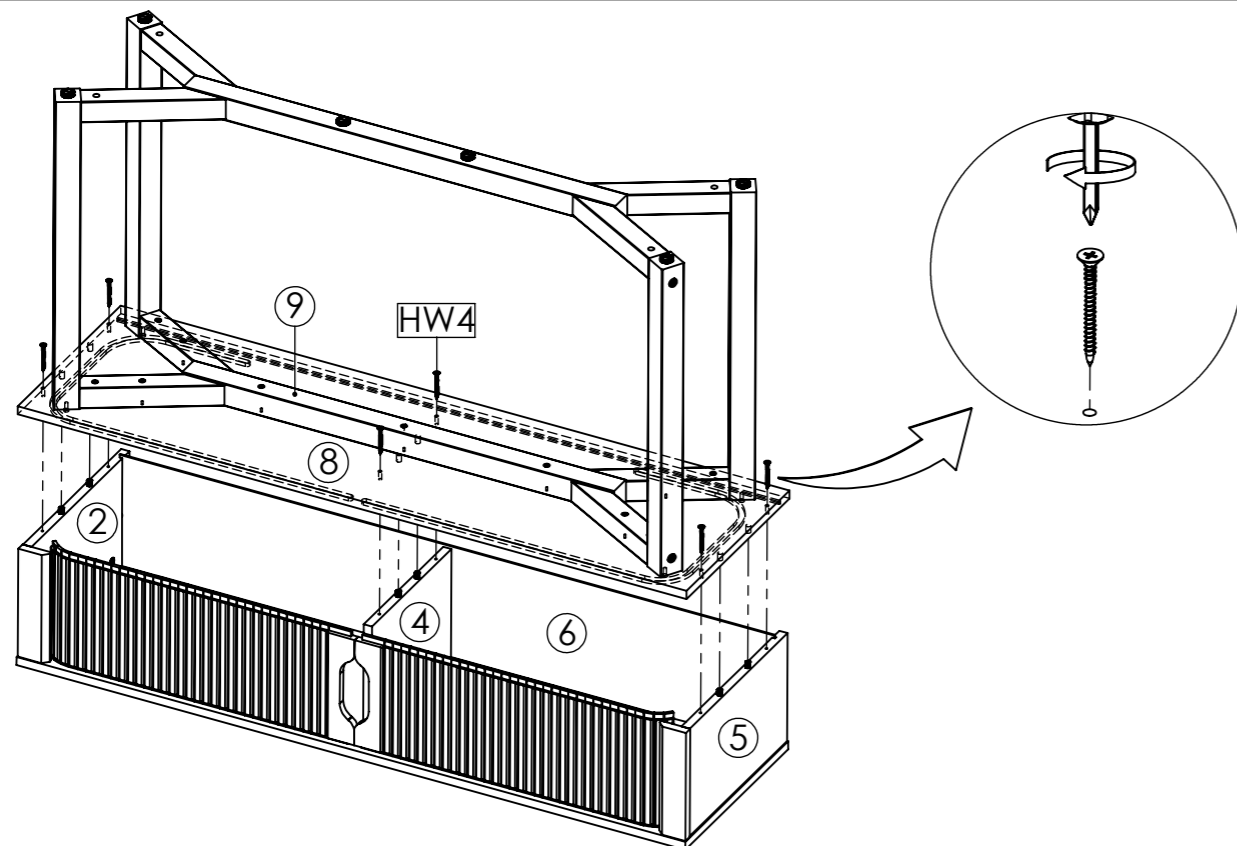
**STEP8:** Attach Legs Support (11) into Frame Leg - Top (9) And Frame Leg - Bottom (10), Continue Insert Cross Dowel (HW10) Into Frame Leg - Top (9) And Frame Leg - Bottom (10), Secure with Allen Bolt M6 x 70 mm (HW11), tighten it using Allen Key (HW9).



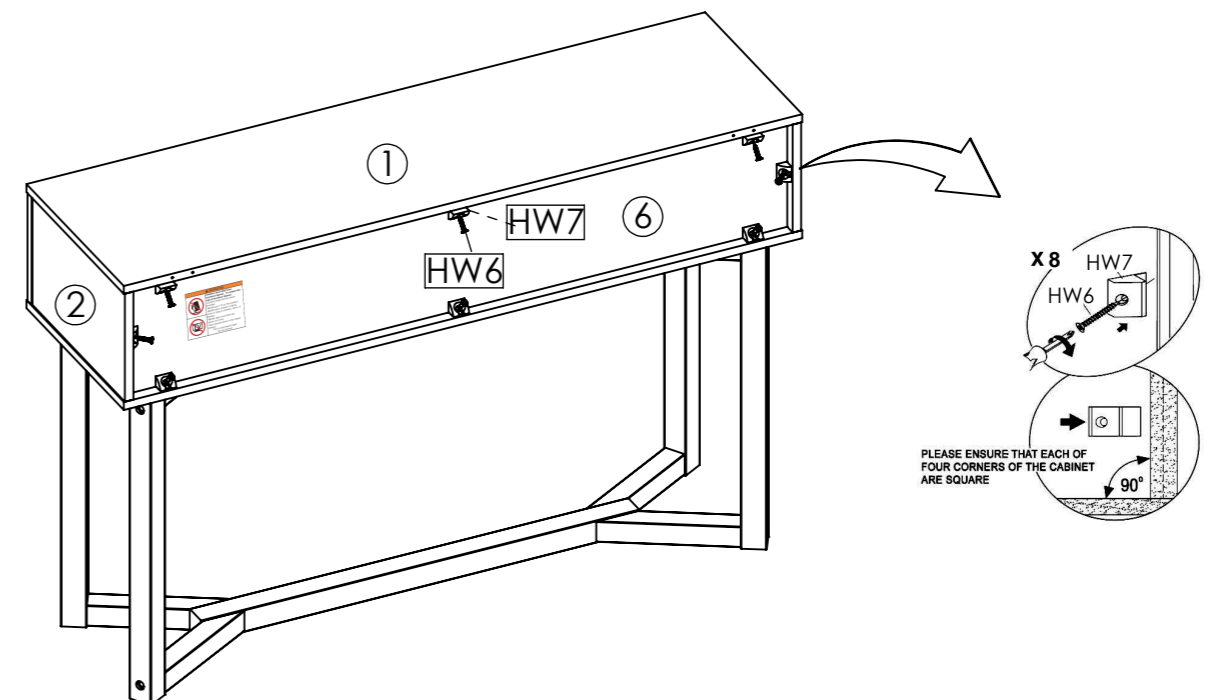
**STEP9:** Attach Frame Leg - Top (9) Into Bottom Panel (8), Secure with, Screw M6 x 50 mm (HW4) tighten it using screwdriver.



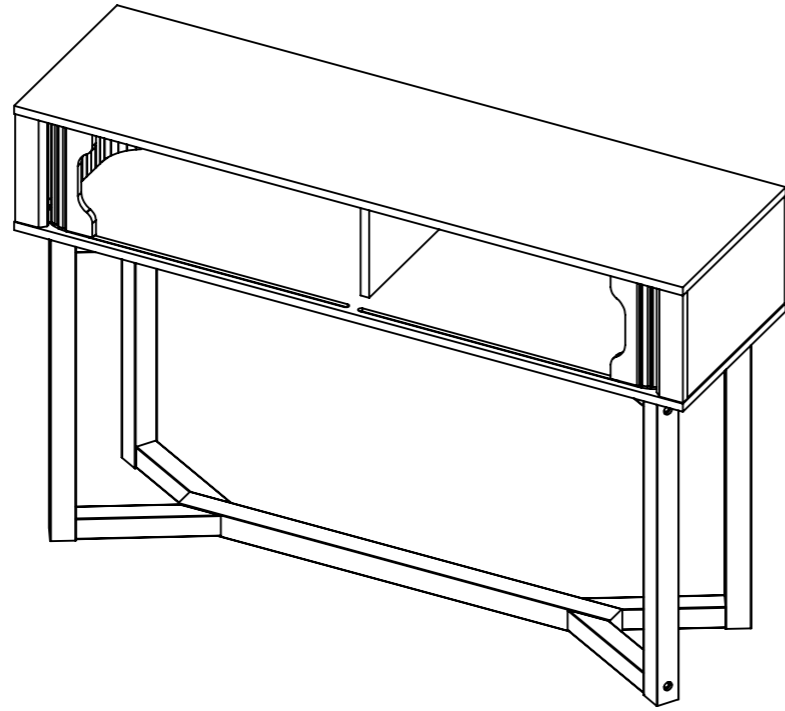
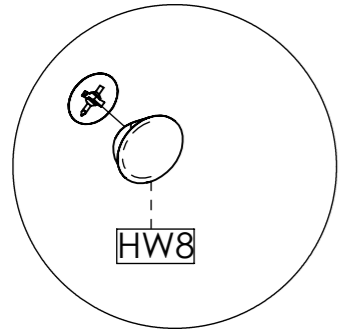
**STEP10:** Insert Screw M7 x 32 mm (HW5) Into Bottom Panel (8) tighten it using screwdriver.



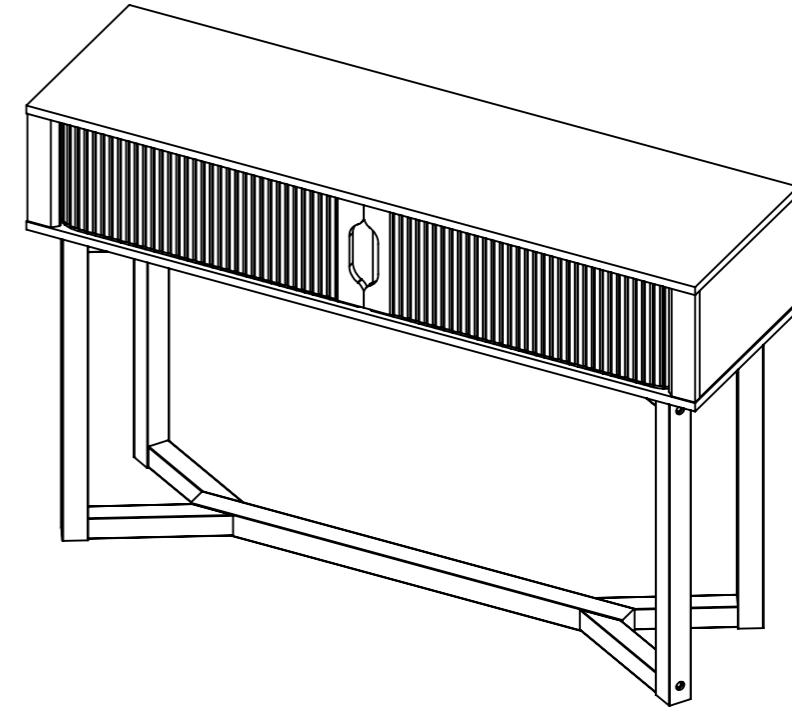
**STEP11:** Attach Bottom Panel (8), Secure with, Screw M6 x 50 mm (HW4) tighten it using screwdriver.



**STEP12:** Attach Plastic Stopper (HW7) Secure with Screw M4 x 19 mm (HW6) tighten it using screwdriver.



**STEP13:** Attach Cover Cap Sticker (HW8) to the panel that has lamination.



**STEP14:** Assembly is complete

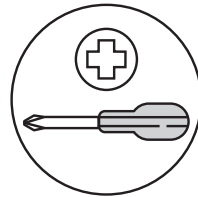
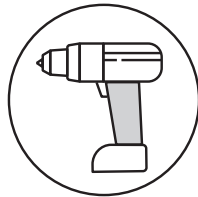


# ANTI-TIP RESTRAINT INSTALLATION

## ! WARNING!

Children have died from furniture tipover.  
To reduce the risk of furniture tipover:



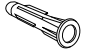
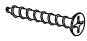

- ALWAYS install tipover restraint provided.
- NEVER allow children to stand, climb or hang on drawers, doors, or shelves.
- NEVER open more than one drawer at a time.
- Place heaviest items in the lower drawers.

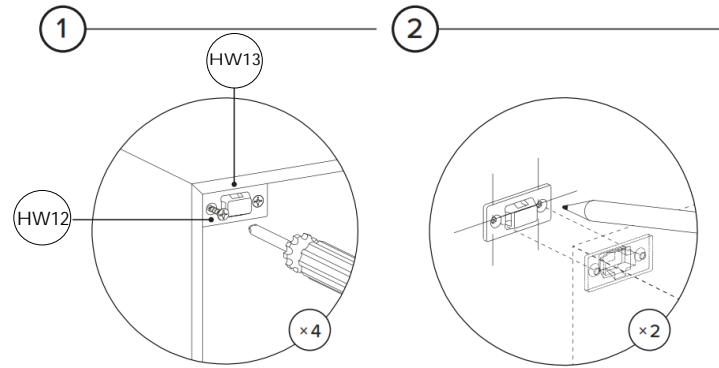


**REQUIRED TOOL**  
8MM / 5/16" DRILL BIT

**REQUIRED TOOL**

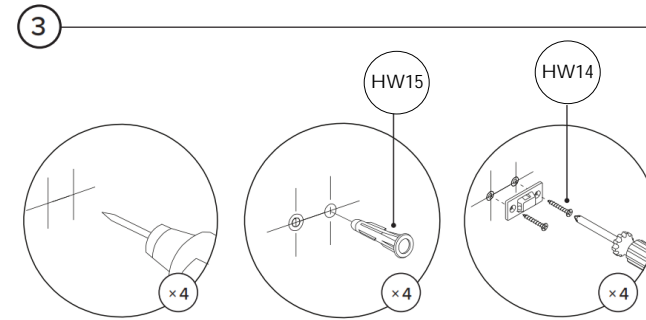
**!** Hardware (HW15 / HW14) to attach brackets to wall is designed for drywall. To attach this unit to another type of wall, consult with your local hardware store.

ANTI-TIP RESTRAINT PACK			
ID	DESCRIPTION		QTY
HW13	BRACKET		4
HW12	M6 × 15MM SCREW		4
HW15	M8 × 35MM PLUG		4
HW14	M10 × 50MM SCREW		4
HW13	STRAP		2

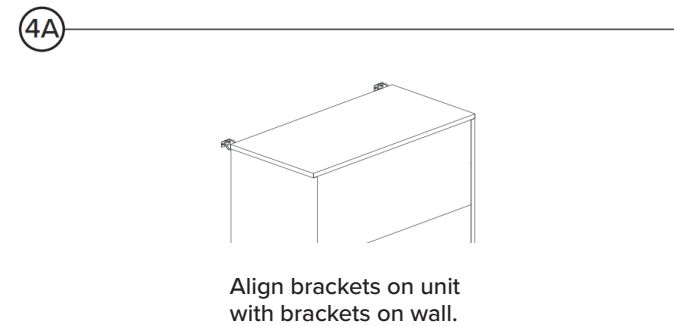


Attach pair of brackets to "Top Panel" of the unit. Note there are no existing pilot holes on the product.

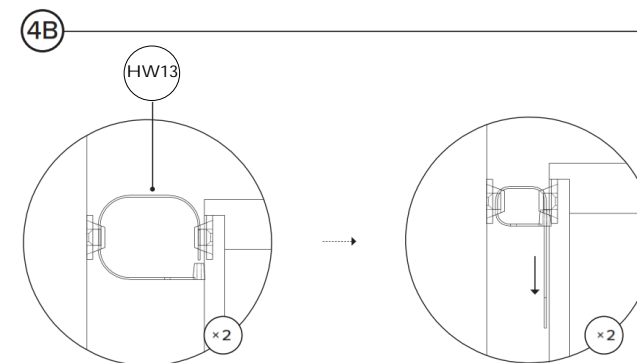
Mark on wall where second pair of brackets should be placed.



Drill holes in wall using 8mm / 5/16" drill bit.



Align brackets on unit with brackets on wall.



Pull strap down until it snap-locks.