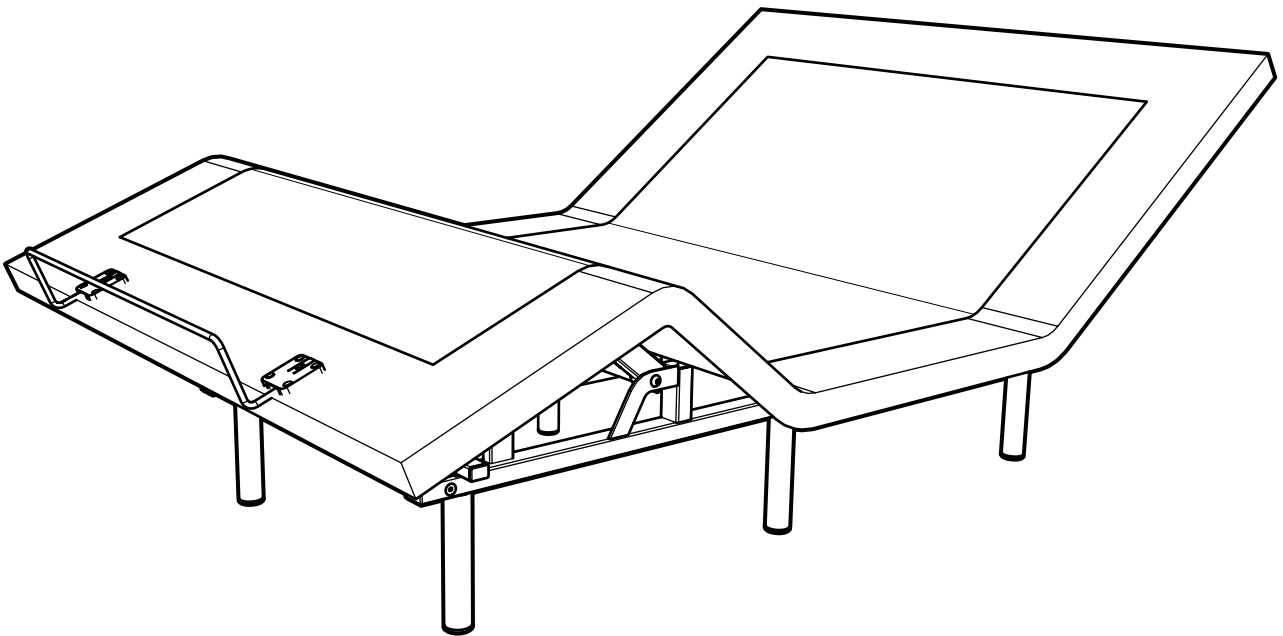


Electric Bed

ORIGINAL INSTRUCTION MANUAL



If you have problems with assembly, please contact us to get the installation video.

DEAR CUSTOMER,

Thank you for choosing our product. Please read this manual carefully before assembling or using the product, to avoid damage caused by improper use. If the product is passed on to third parties, this manual has to be passed on along with the product. For any question don't hesitate to contact us.

INFORMATION TO THE USER

Note: This equipment has been tested and found to comply with the limits for a Class B digital device, pursuant to part 15 of the FCC Rules. These limits are designed to provide reasonable protection against harmful interference in a residential installation. This equipment generates, uses and can radiate radio frequency energy and, if not installed and used in accordance with the instructions, may cause harmful interference to radio communications. However, there is no guarantee that interference will not occur in a particular installation. If this equipment does cause harmful interference to radio or television reception, which can be determined by turning the equipment off and on, the user is encouraged to try to correct the interference by one or more of the following measures:

- Reorient or relocate the receiving antenna.
- Increase the separation between the equipment and receiver.
- Connect the equipment into an outlet on a circuit different from that to which the receiver is connected.
- Consult the dealer or an experienced radio/TV technician for help.

Important: Change or modifications not expressly approved by the manufacturer responsible for compliance could void the user's authority to operate the equipment.

WARNING: This device complies with Part 15 of the FCC Rules. Operation is subject to the following two conditions: (1) This device may not cause harmful interference, and (2) This device must accept any interference received, including interference that may cause undesired operation.

WARNING



Read these instructions carefully and retain them for future use.
If this product is passed to a third party, then these instructions must be included.

⚠ WARNING To reduce the risk of burns, fire, electric shock, or injury to persons:

- Read all instructions before using the furnishing.

⚠ DANGER To reduce the risk of electric shock; always unplug this furnishing from the electrical outlet before cleaning or servicing.

⚠ WARNING Risk of injury! Keep children away from the foot support.

⚠ CAUTION Risk of injury and fire! Connect only to the furnishing specified in this instruction manual.

- Unplug from outlet before putting on or taking off parts.
- Close supervision is necessary when this furnishing is used by, or near children, invalids, or disabled persons.
- Use this furnishing only for its intended use as described in these instructions. Do not use attachments not recommended by the manufacturer.
- Never operate this furnishing if it has a damaged cord or plug, if it is not working properly, if it has been dropped or damaged, or dropped into water. Return the furnishing to a service center for examination and repair.
- Keep the cord away from heated surfaces.
- Never drop or insert any object into any opening.
- Do not use outdoors.
- Do not operate where aerosol (spray) products are being used or where oxygen is being administered.
- To disconnect, turn all controls to the off position, then remove plug from outlet.
- To reduce the risk of electric shock, this furnishing has a polarized plug (one blade is wider than the other). This plug will fit in a polarized outlet only one way. If the plug does not fit fully in the outlet, reverse the plug. If it still does not fit, contact a qualified electrician to install the proper outlet. Do not change the plug in any way.

Battery Warnings

- Exhausted batteries should be immediately removed from the remote control and properly disposed.

SAVE THESE INSTRUCTIONS

Intended Use

- This furnishing is a motorized bed base with a wireless remote intended to hold and adjust the position of a mattress.
- This furnishing is intended for household use only. It is not intended for medical or therapeutic use.
- This furnishing is intended to be used in dry indoor areas only.
- No liability will be accepted for damages resulting from improper use or non-compliance with these instructions.

Before First Use

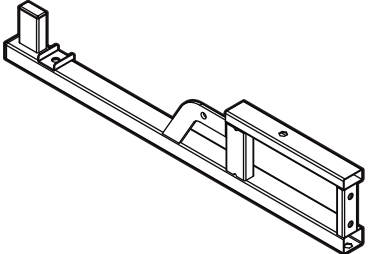
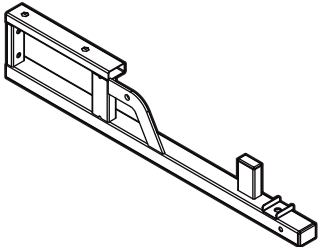
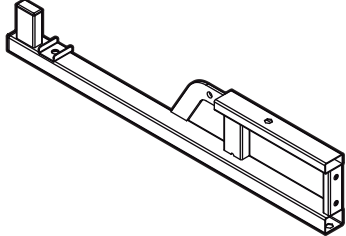
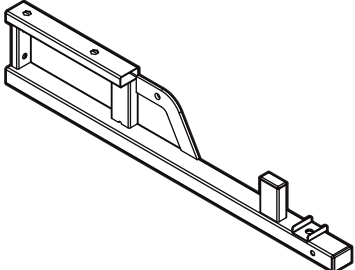
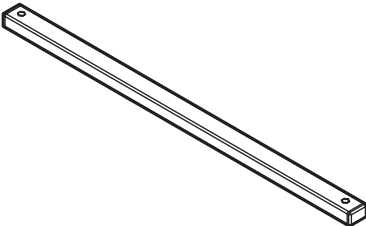
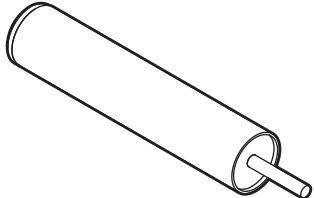
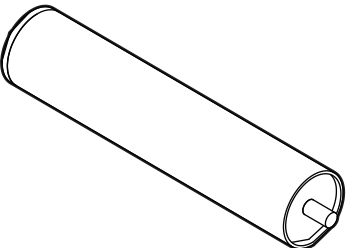
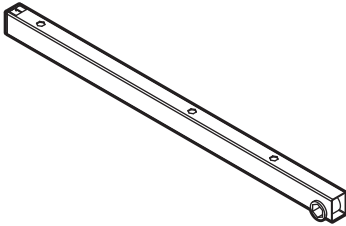
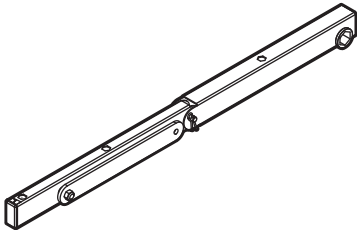
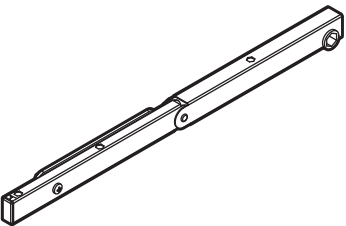
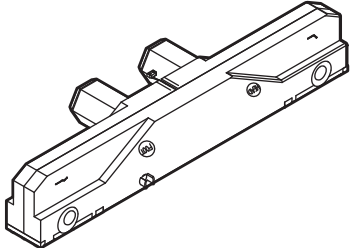
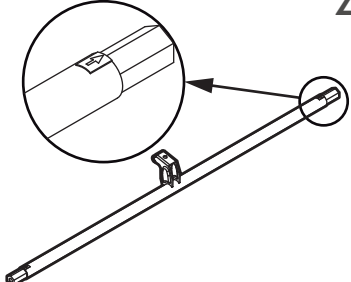
- Check the furnishing for transport damages.
- Remove all the packing materials.
- Before connecting the furnishing to the power supply, check that the power supply voltage and current rating corresponds with the power supply details shown on the specifications.

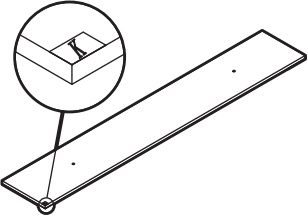
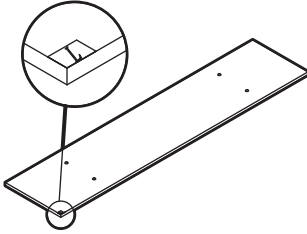
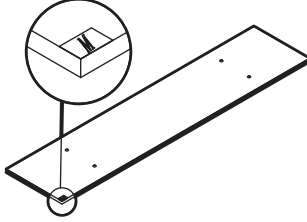
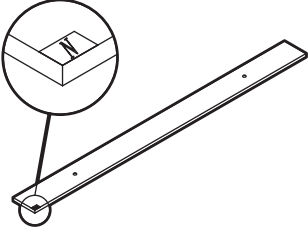
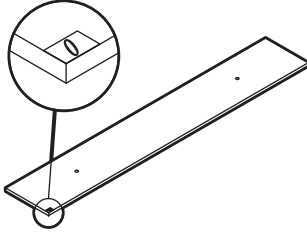
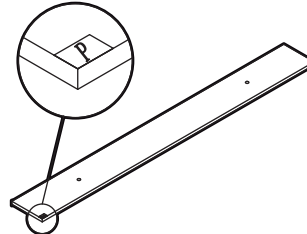
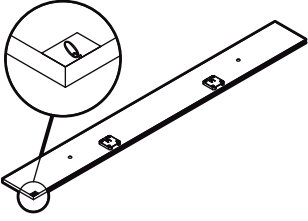
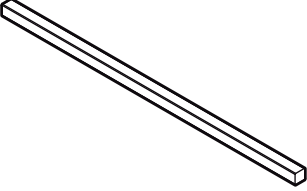
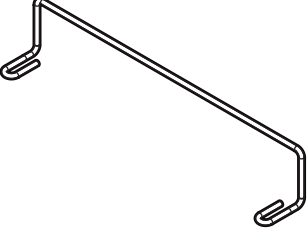
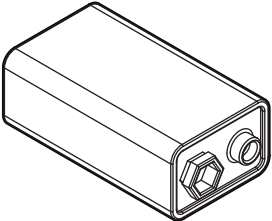
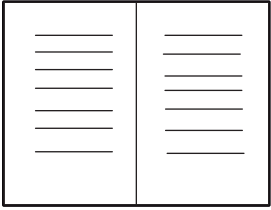
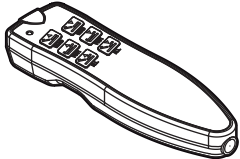
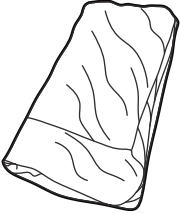
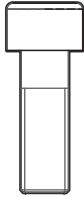
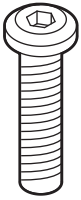
⚠ DANGER Risk of suffocation! Keep any packaging materials away from children – these materials are a potential source of danger, e.g. suffocation.

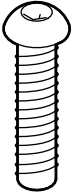
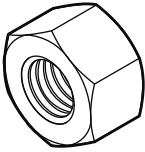
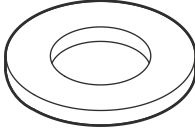


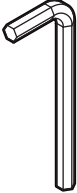
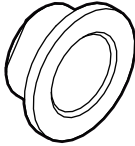
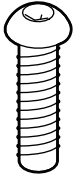
PARTS LIST

Please check that you have all the parts listed before you start assembling, if you do find that something is missing, do not continue assembly, please contact us immediately.

NOTE: Please do not tighten all the hardware completely until the entire assembly is completed!

<p>A1 1×</p> 	<p>A2 1×</p> 	<p>B1 1×</p> 
<p>B2 1×</p> 	<p>C 2×</p> 	<p>D 4×</p> 
<p>E 2×</p> 	<p>F 2×</p> 	<p>G 1×</p> 
<p>H 1×</p> 	<p>I 1×</p> 	<p>J 2×</p> 

<p>K 1×</p> 	<p>L 1×</p> 	<p>M 1×</p> 
<p>N 1×</p> 	<p>O 1×</p> 	<p>P 1×</p> 
<p>Q 1×</p> 	<p>S 6×</p> 	<p>T 1×</p> 
<p>U 2×</p> 	<p>V 1×</p> 	<p>W 1×</p> 
<p>X 1×</p> 	<p>Y1 4×</p>  <p>M10×30</p>	<p>Y2 18×</p>  <p>M8×35</p>

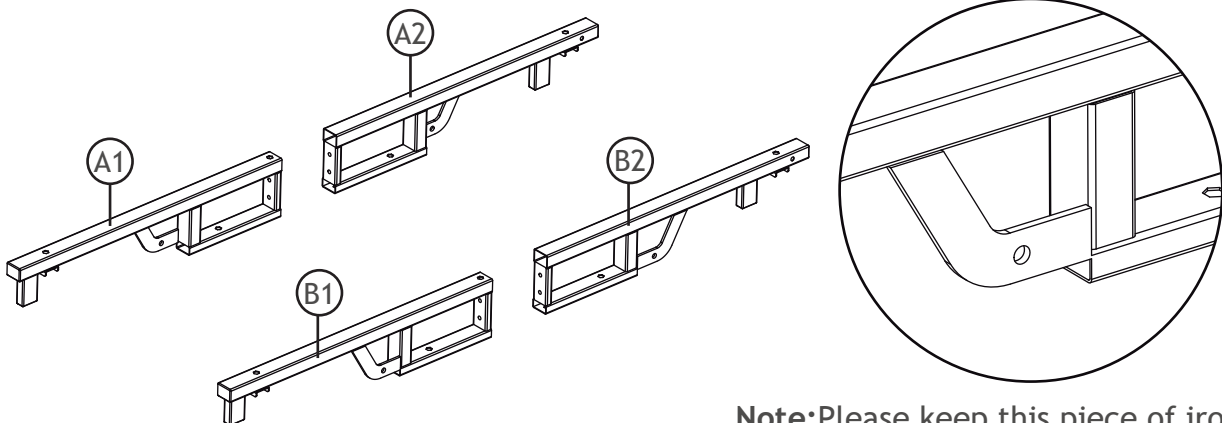
Y3  M8×55	2× Y4  M8	6× Y5  PLASTIC GASKET	2× Y6  8MM SPANNER	1×
Y7  13MM OPEN END WRENCH	1× Y8  6MM SPANNER	1× Y9  FINGER COVERS	4× Y10  M8×40	4×

FEATURES

Actuator rating:	24V, 3A (Max)
Max.weight limit:	800 LBS
Dorsal angle:	0-70°
Leg angle:	0-45°

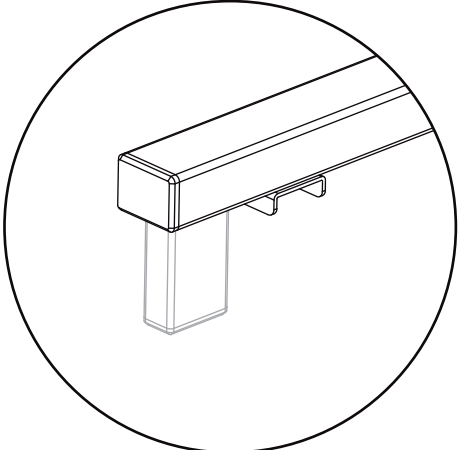
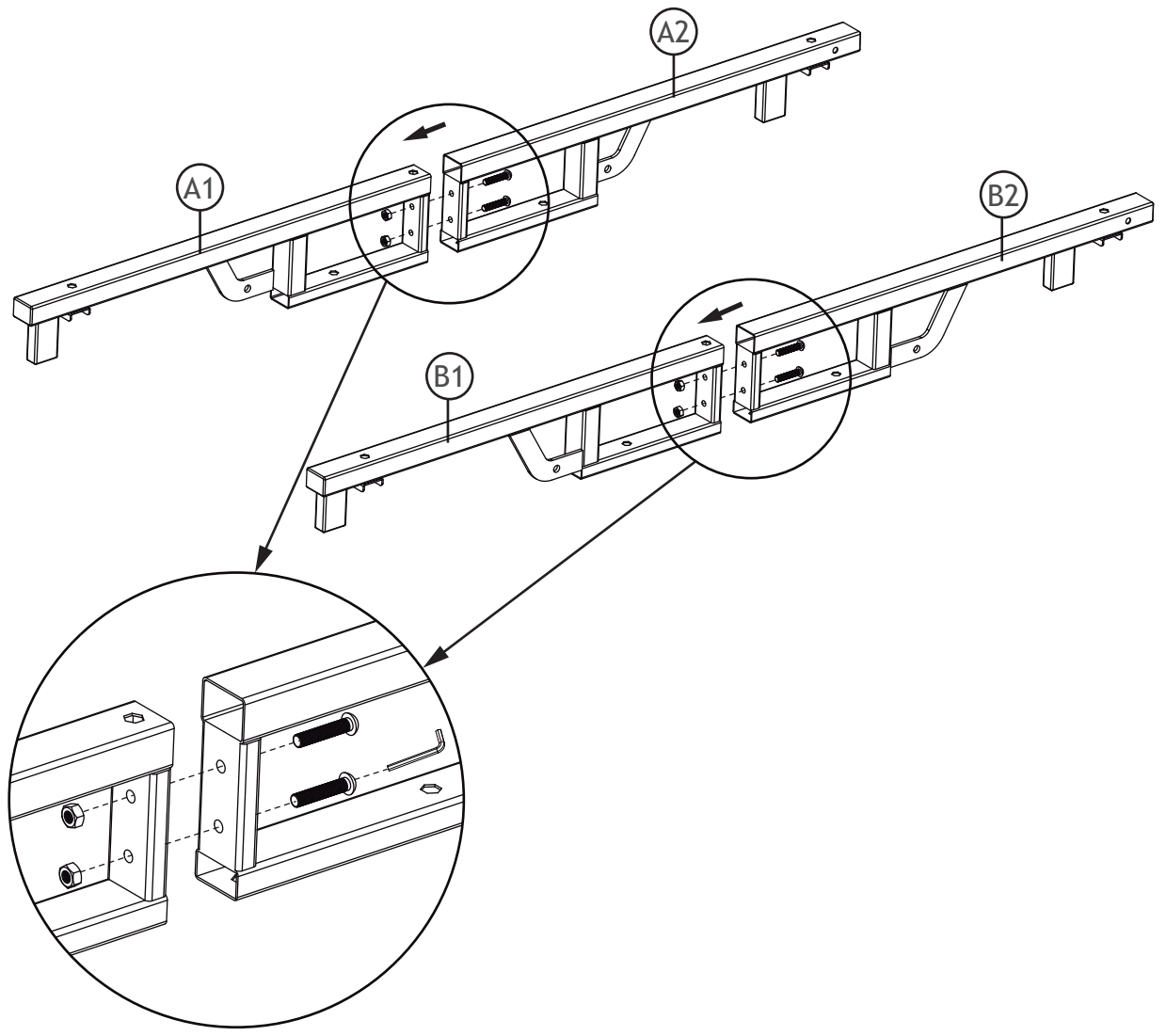
ASSEMBLY

Search "STBB022" on **YouTube** for the installation video of this bed.

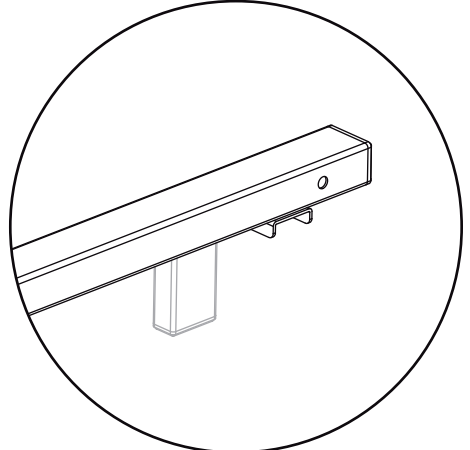


Note:Please keep this piece of iron facing out before installation.

1

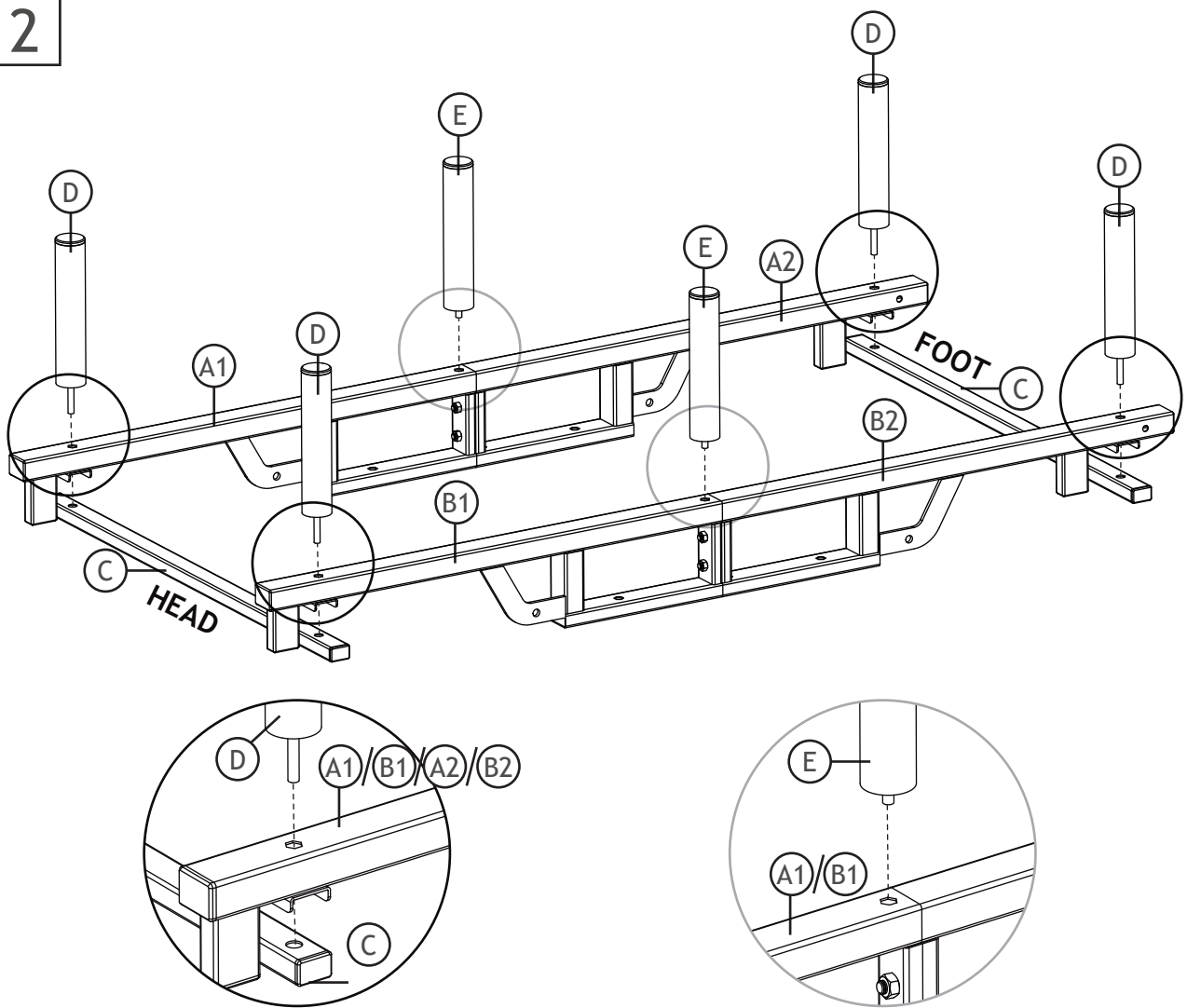


HEAD

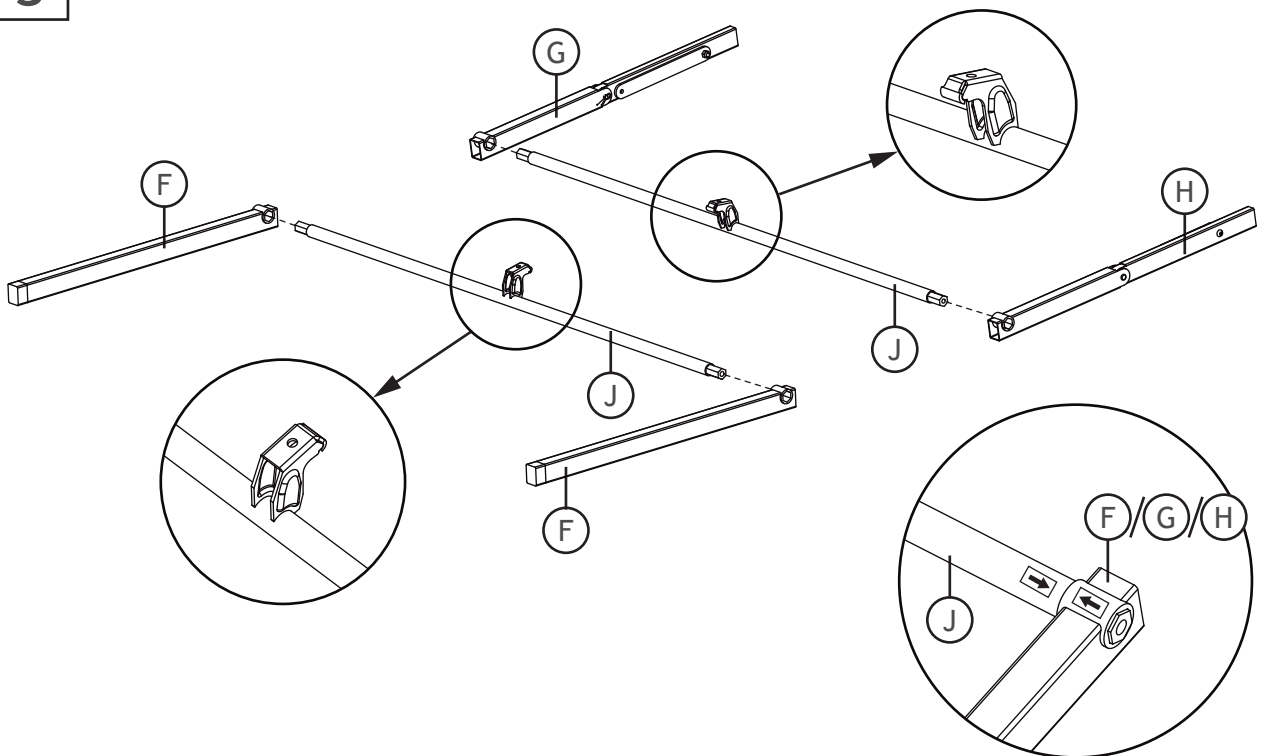


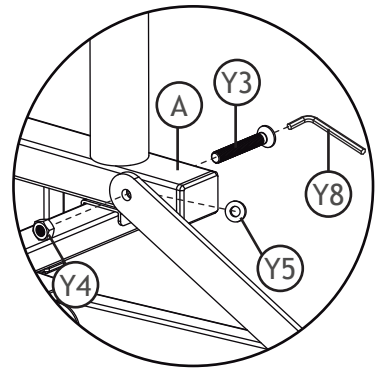
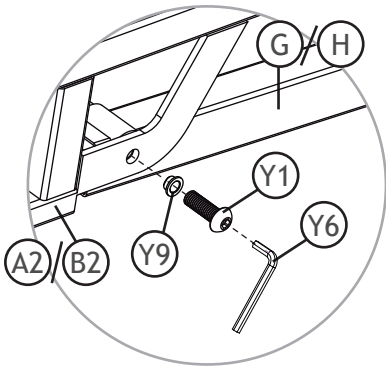
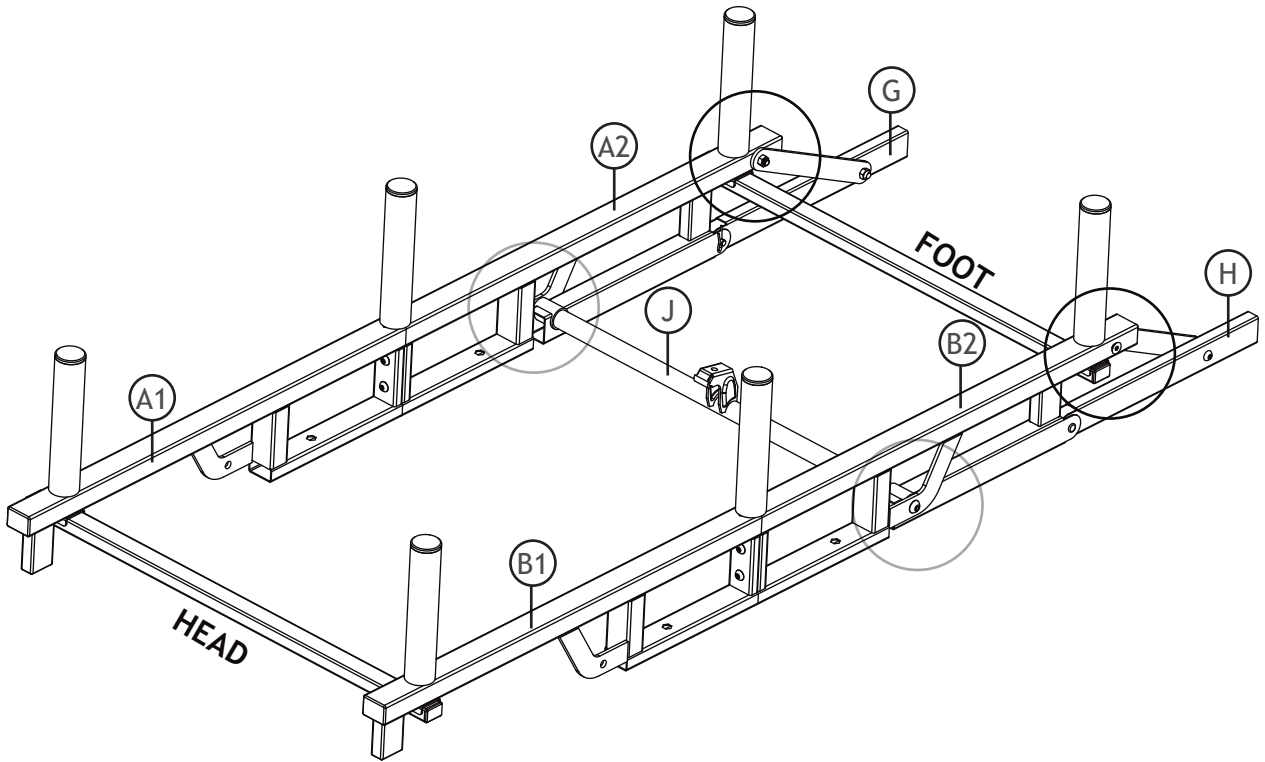
FOOT

2

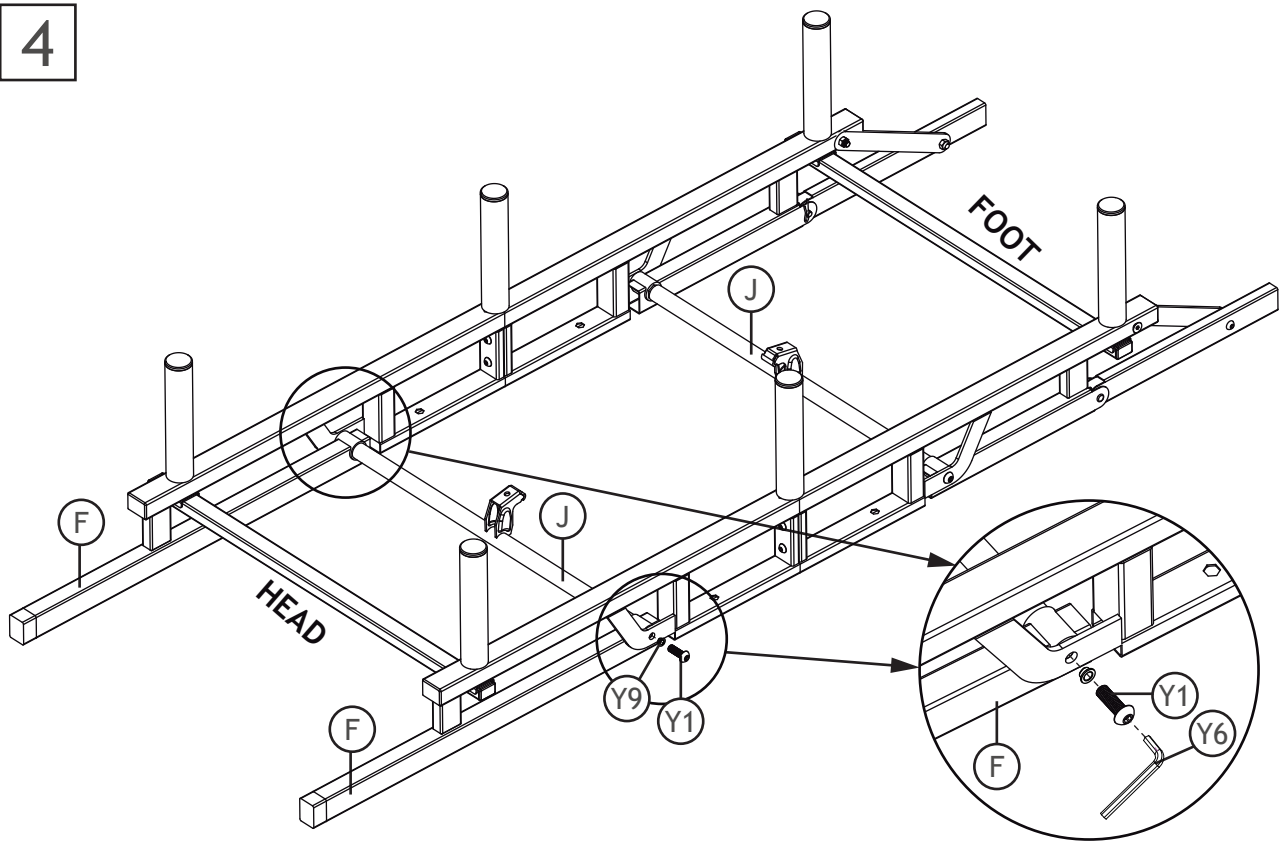


3

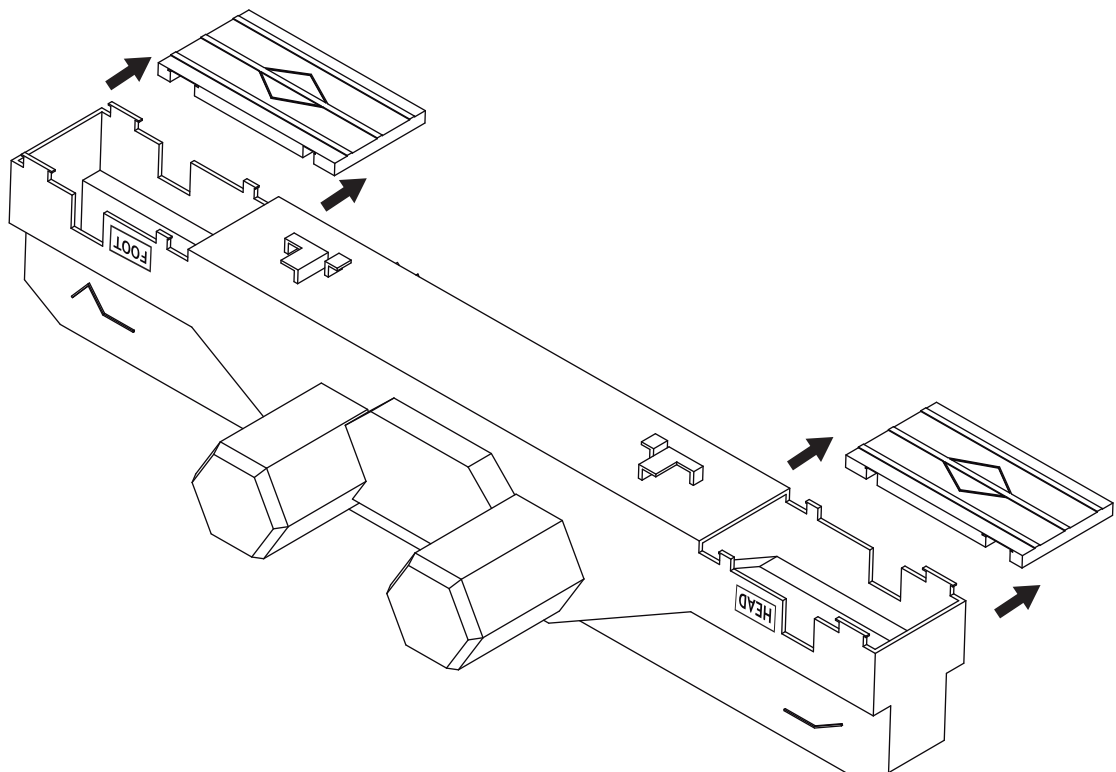




4



5

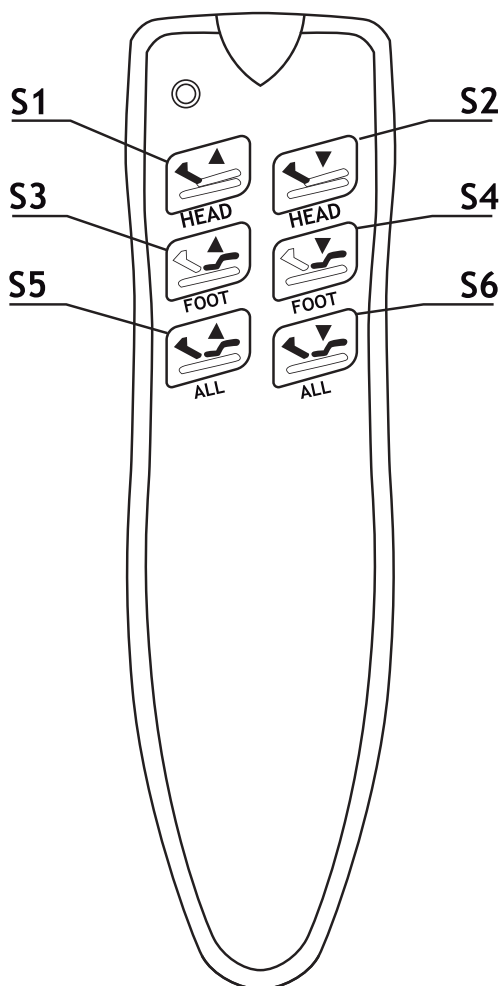


Note: If you can't slide off the back covers smoothly, use hammer or other heavy stuff to knock the edge slowly.

Wireless Remote Instruction

Attention: If you use this product for the first time, you need to pair the remote control with the motor first.

a. Brief introduction of XYH11RF remote control(W) panel function and install the battery



S1 : head up

S2 : head down

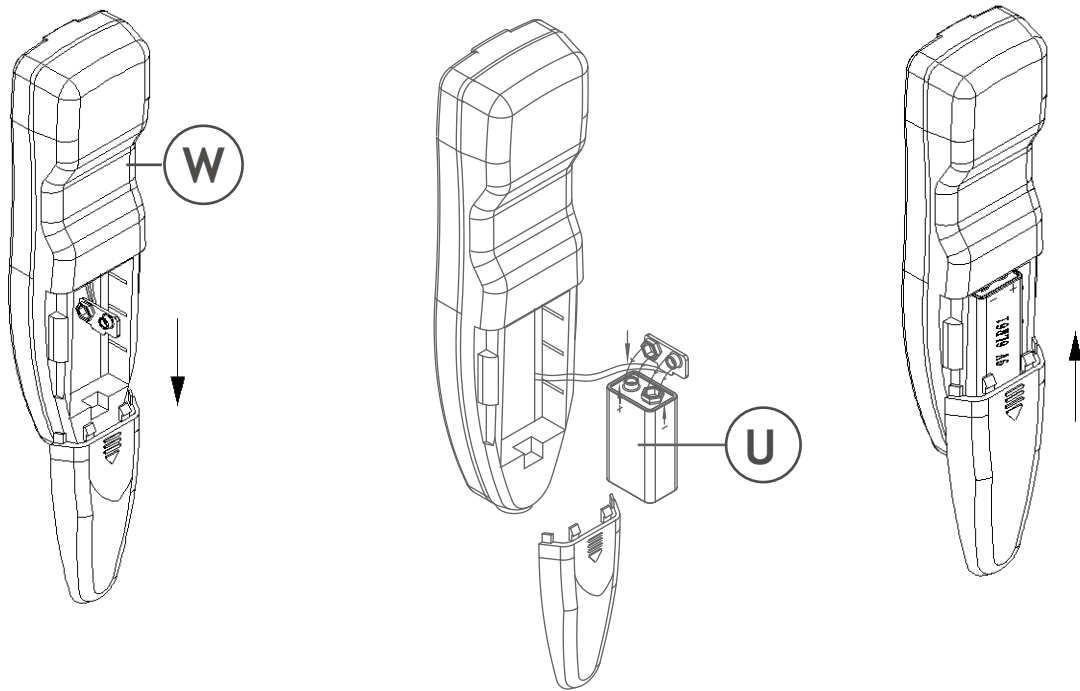
S3 : leg up

S4 : leg down

S5 : head & foot up

S6 : head & foot down

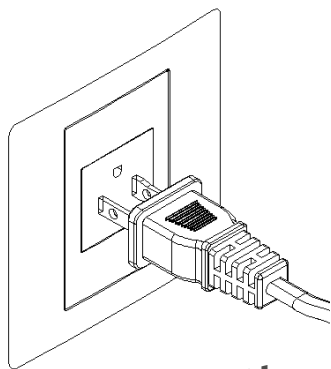
The S1-S6 are inching type, release to stop



Please install the battery(U) as shown, pay attention to the battery polarity.

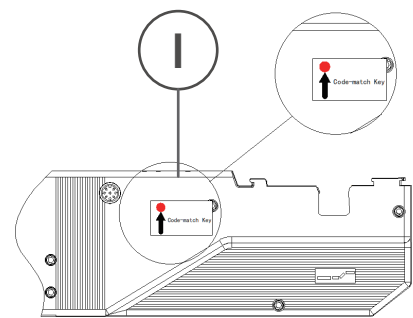
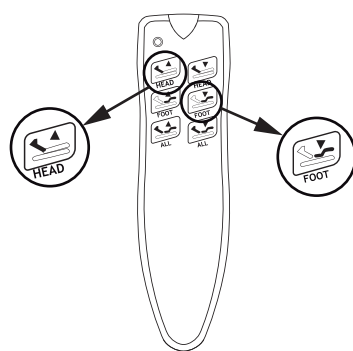
b. Build connection

Attention!!!

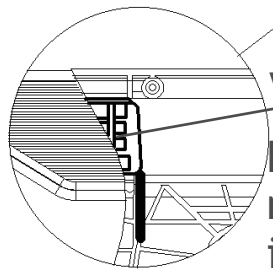
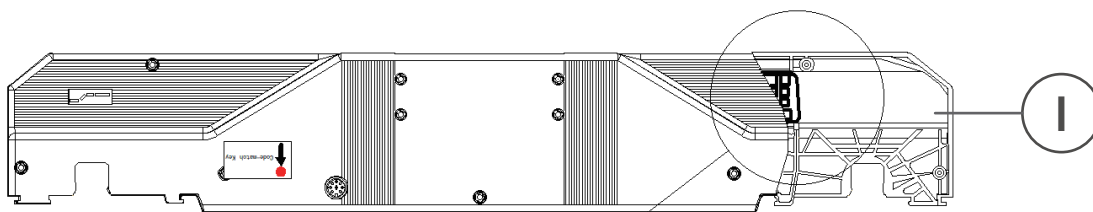


then →

NOTE:
Energize motor: keep
bee-beep for 3
seconds at the loudest
voice.



1. Press the S1&S2 button together, then press the code match key on motor at same time.
2. When you hear "Bi-" sound, keep bee-beep for 3 seconds at the loudest voice. the match get succeed.
3. Now you can use remote control to lift and lower the bed.

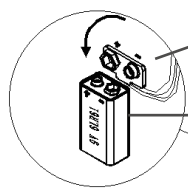


white slider block

Before attaching motor to bed frame, make sure the white slider block stays invisible, If not, press the S6 button.

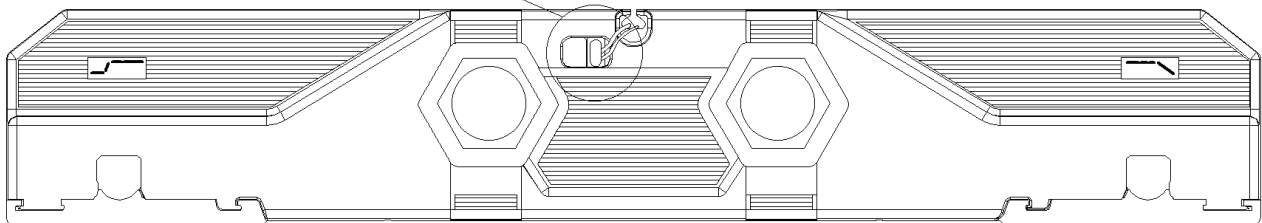
c. If you encountered a power outage, you can install the spare battery on the motor.

The spare battery can only be used to flat the frame and **MUST** be removed after the frame got flat!



Battery connector

Battery

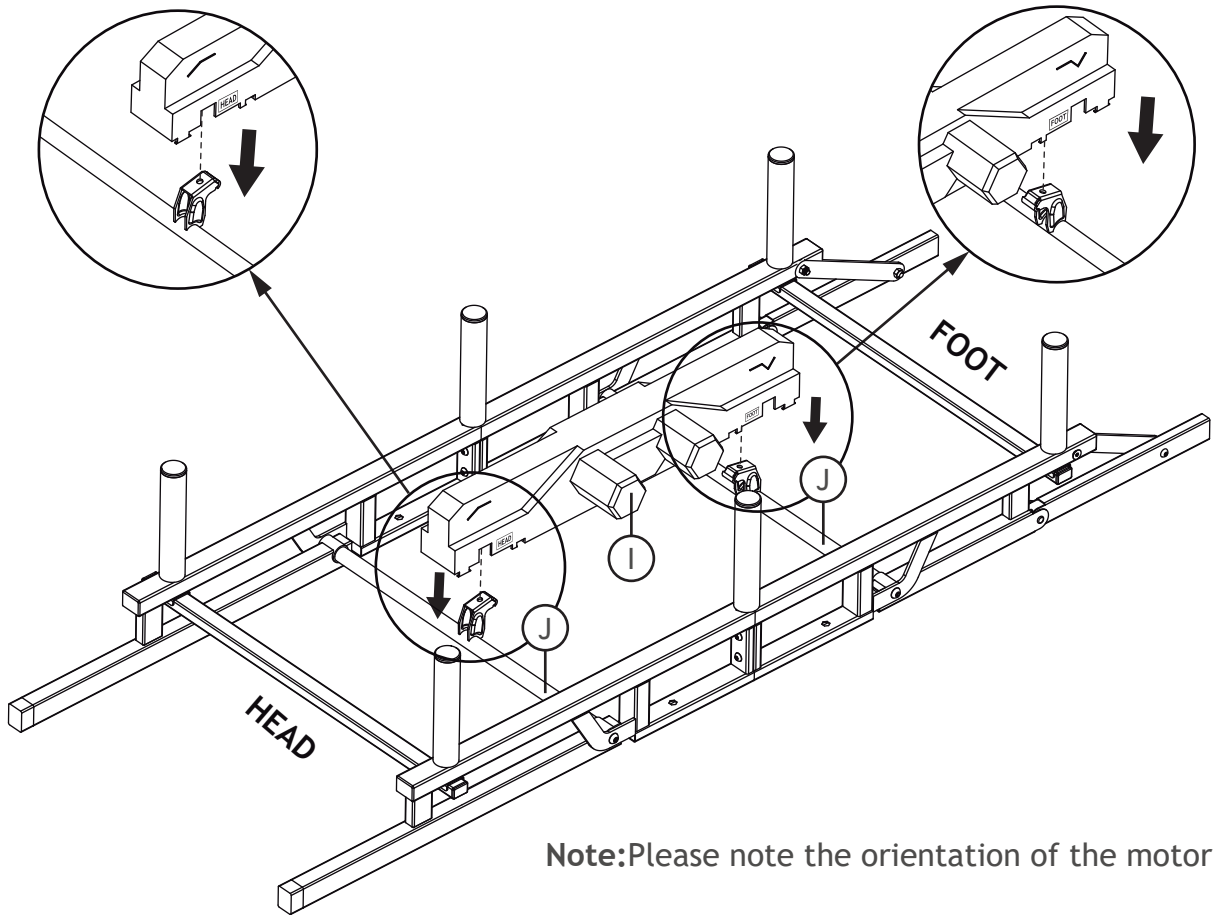


Attention1: Can only be used in emergency situations!

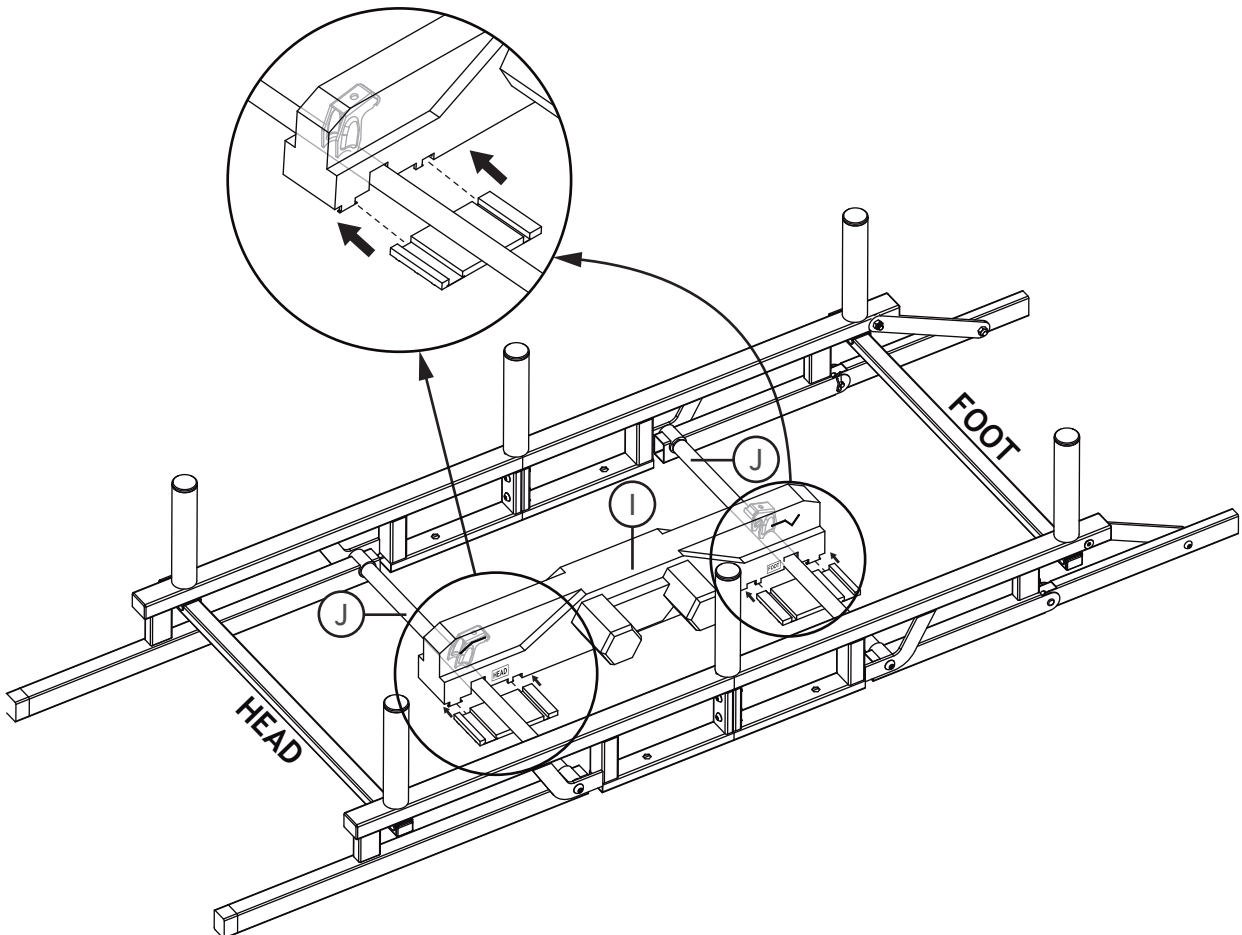
Attention2: Motor will start self-protected program and bee-bee for 6 seconds when overload and then stop work. (how to re-start it: remove all the load and start after 15 seconds or take the plug out and then re-plug it in.

Attention3: Do not keep lifting bed up and down for 2 minutes, otherwise it needs 18 mins to cool down.

Mount motor

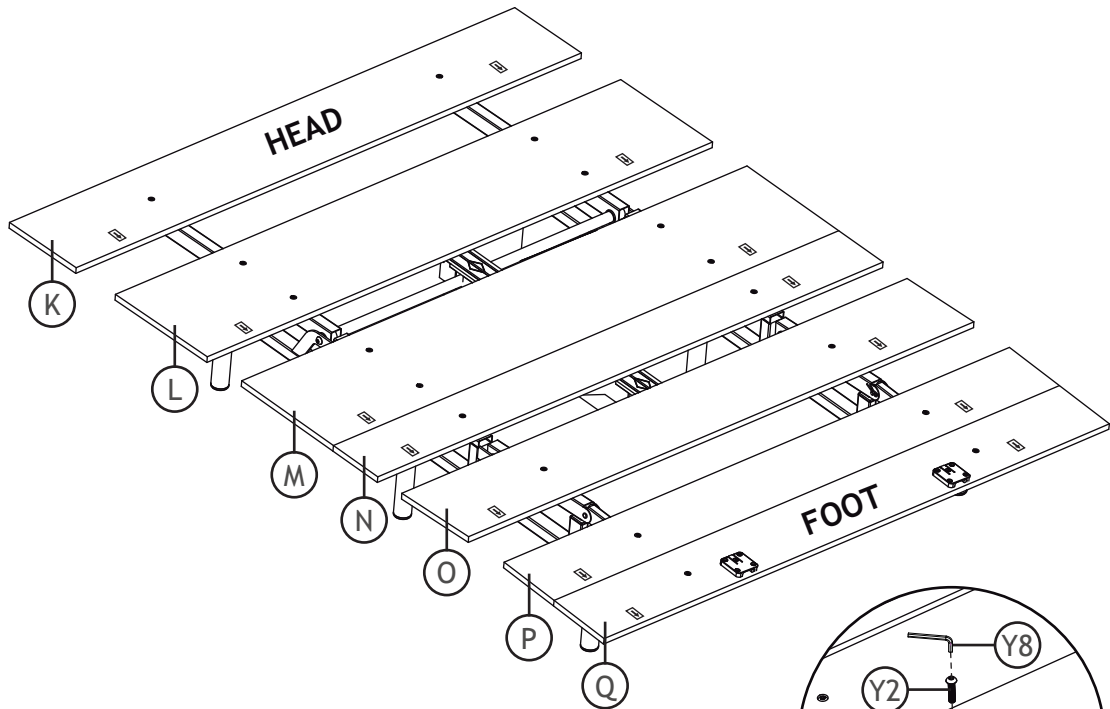


Note: Please note the orientation of the motor.

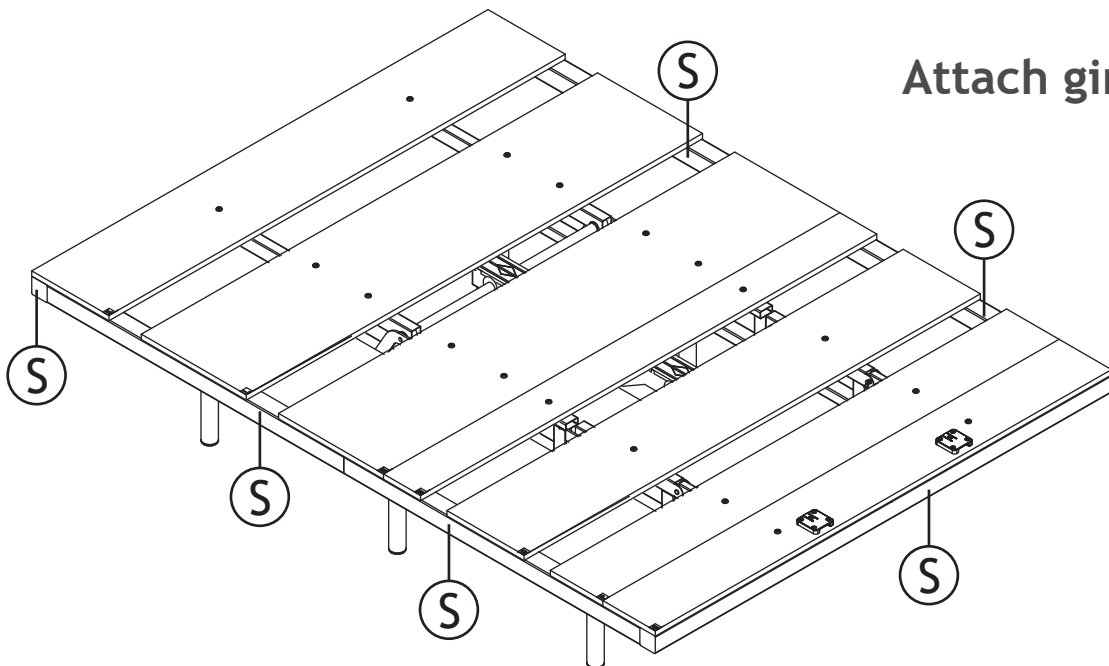


FIX THE WOOD BOARDS ON THE FRAME

6



7



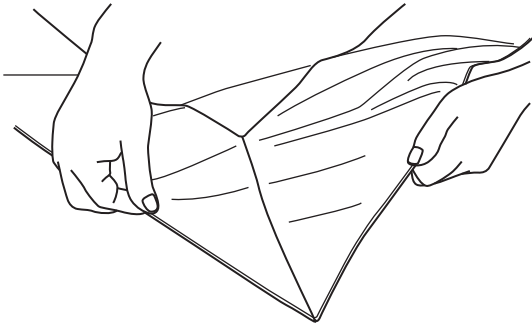
Attach girth edge

Under the front and back edges, attach two girth edges (S) first; Under the left and right sides, attach four girth edges last.

PUT ON THE CLOTH

Before put on cloth cover, push S5 button till the bed elevate to the highest degree.

1



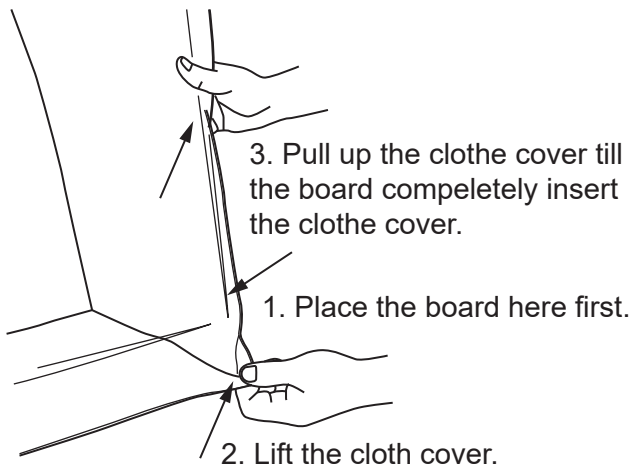
Starting at the end of the bed, cover the left corner first.

2



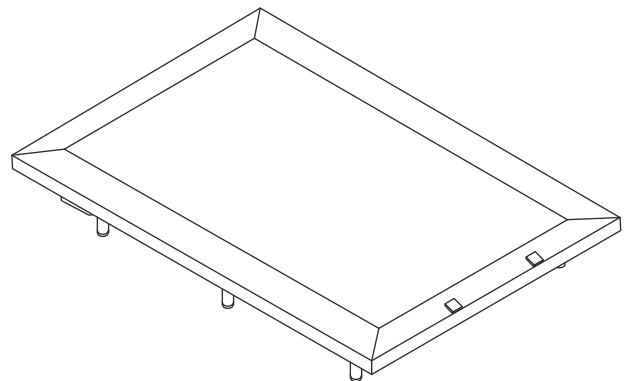
Spread out the cover and insert the board into the edge of the right side cover.

3



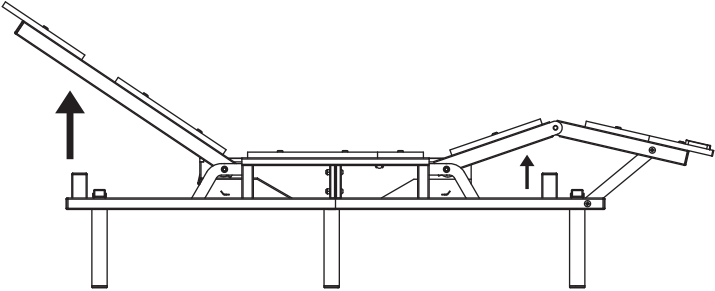
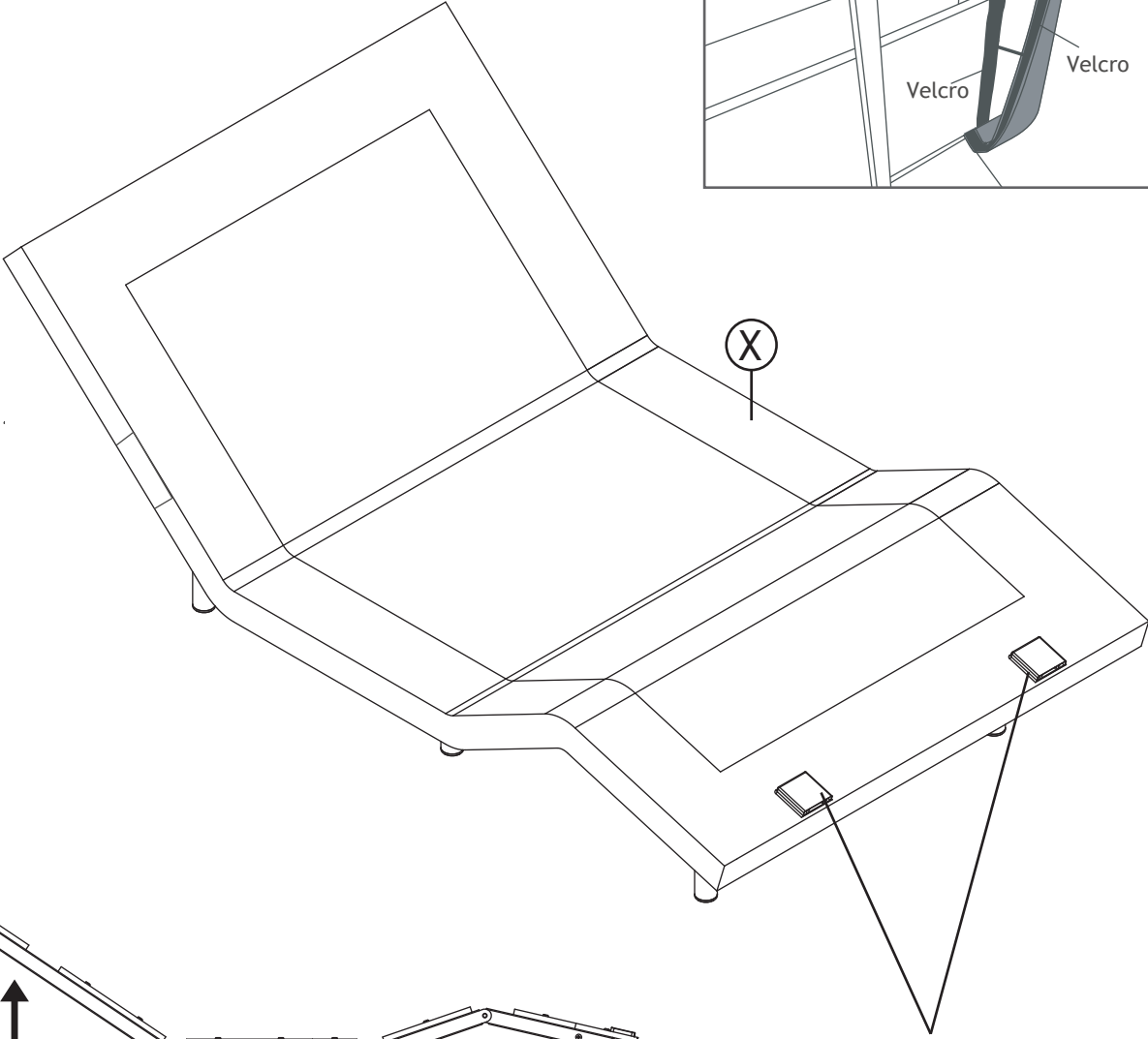
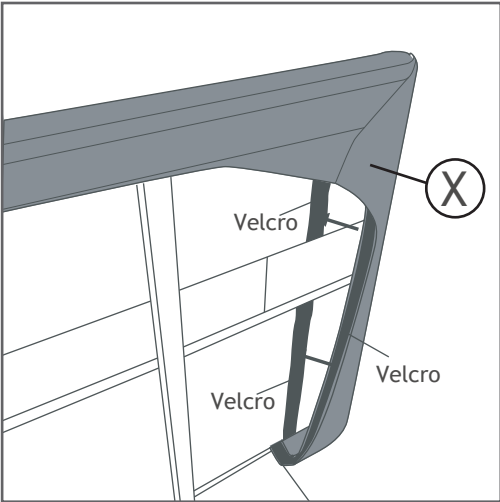
Lift the cloth cover and pull up the cloth cover till the board insert the cloth cover completely as 2 and 3 in picture. Cover the head of the bed as Step 1-3.

4



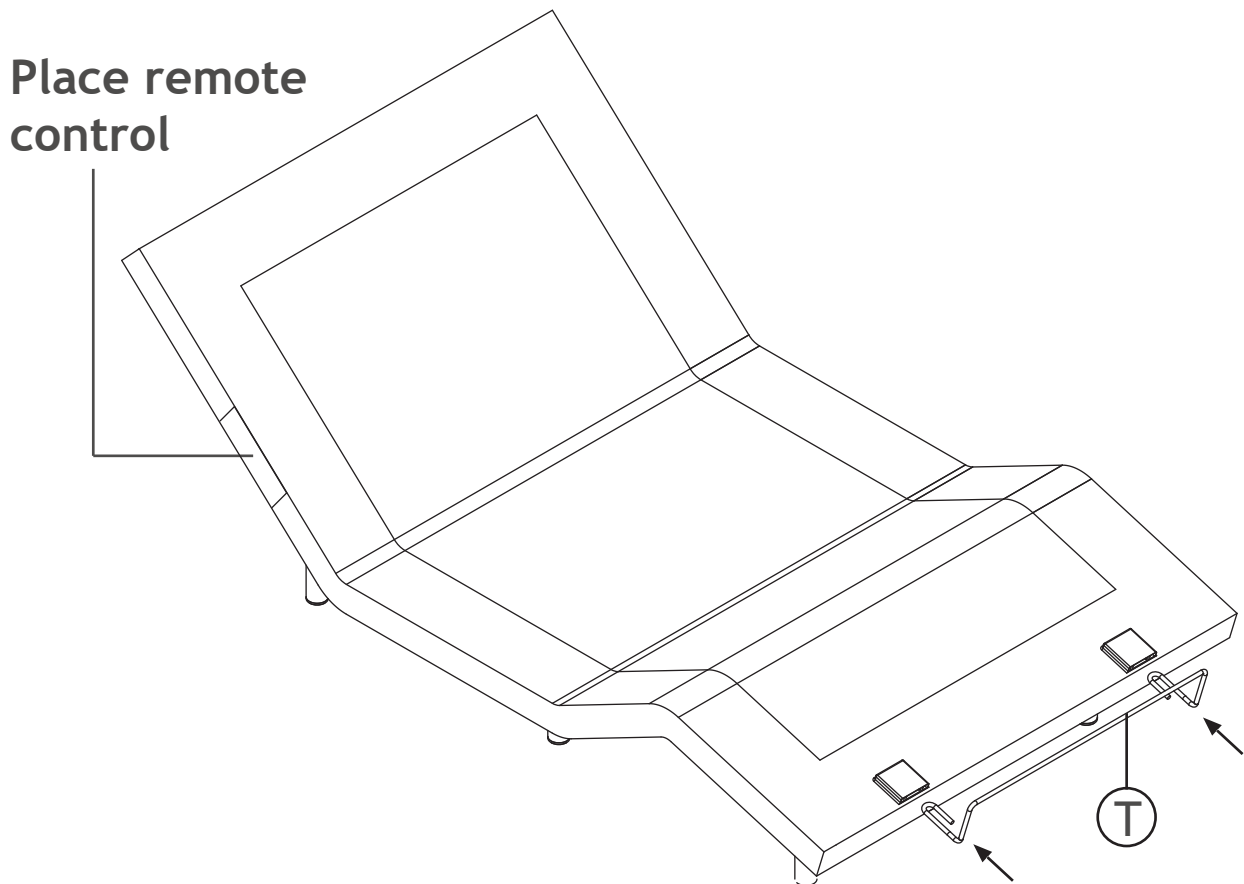
Push S6 button to flat the bed. Attach the velcro tape of the cloth cover to the board.
Attention: Do not pull the face cover horizontally.

Put on cloth cover







Pay attention to the front and back direction of the cloth cover; There are two holes behind the cloth cover.

Push the retainerbar



At the end of the bed, push the retainerbar into the plastic slider

	Dry clean only		
	Steam ironing		
	Do not twist dry		Do not wash