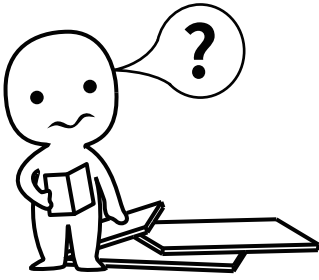


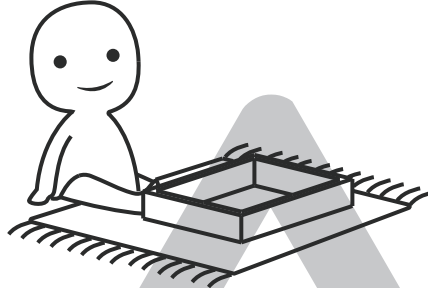
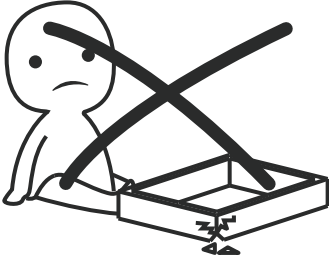
# **INSTALLATION**

*Product Manual*



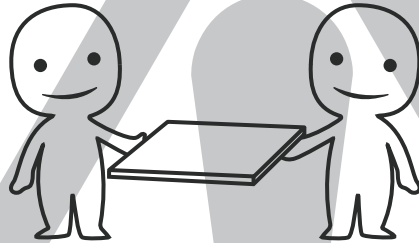
### **IMPORTANT INFORMATION!**

please read the entire manual before starting to assemble and/or using this product. follow the manual thoroughly and keep it for further reference.



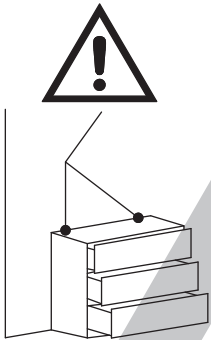
### **AVOID SCRATCHES!**

In order to avoid scratching this furniture should be assembled on a soft layer- could be a rug.



### **IMPROVE EFFICIENCY !**

Try to find a partner to install with you, which can speed up the installation efficiency and shorten the time.



### **ANTI-TOPPLE WARNING !**

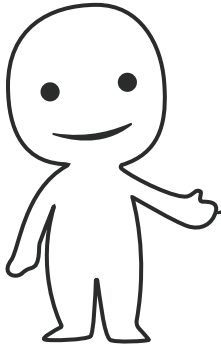
Overturned furniture can cause serious or fatal crush injuries. To prevent tipping over, be sure to use the wall attachment, if not included with this product. Please purchase the wall attachment that fit your wall. If unsure, seek professional advice. Please read and follow each step of the instructions carefully.

### **IMPORTANT !**

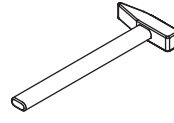
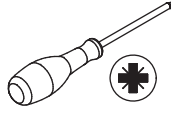
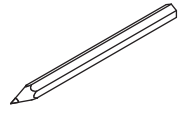
It is important that any product which is assembled using any kind of screw is re-tightened 2 weeks after assembly, and once every 3 months - in order to assure stability through-out the lifespan of the product.

For regular maintenance and cleaning of the product, for the frame, please use a rag dipped in neutral detergent to fully wipe it, and then dry it with a clean rag. For glass materials, wipe with a rag dampened with water glass cleaner, and then dry with a dry rag.

Do not use an electric screwdriver, and do not use too much force when installing, because the board is easy to break.

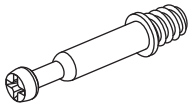


Please prepare the following tools



When installing, please carefully confirm whether each screw corresponds to the manual, accessories with similar shapes can be distinguished by size

A x 49+2



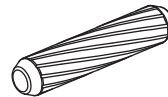
Ø 6 x 35 mm

B x 49+2



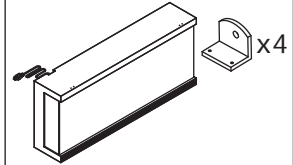
Ø 15 x 10 mm

C x 32+2

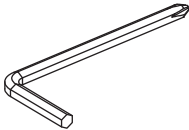


Ø 7 x 30 mm

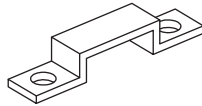
D x 1



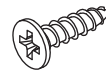
E x 1



F x 8+2



G x 16+2

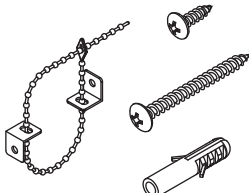


Ø 3 x 12 mm

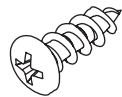
H x 1



J x 2

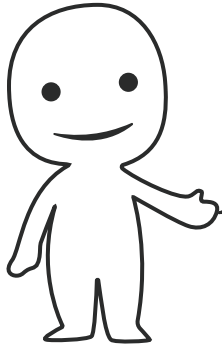


K x 12

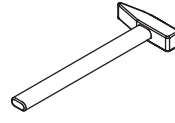
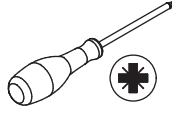
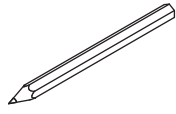


Ø 4 x 12 mm

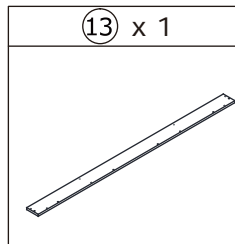
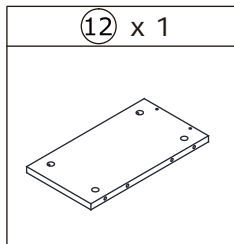
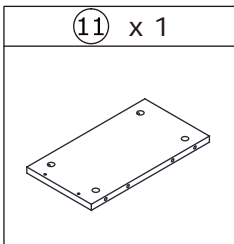
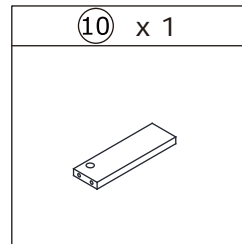
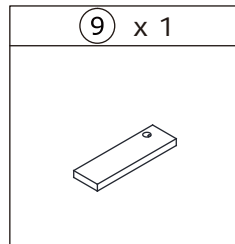
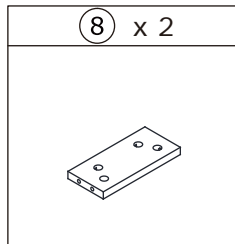
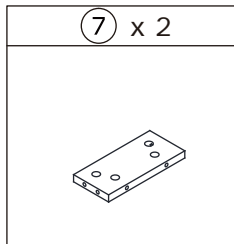
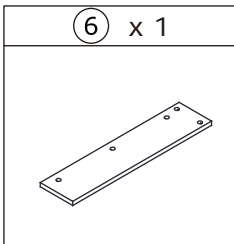
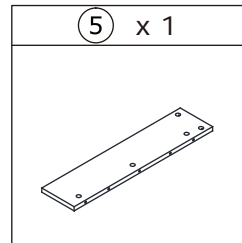
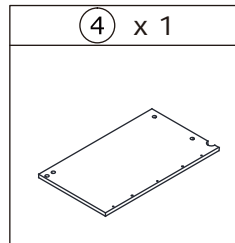
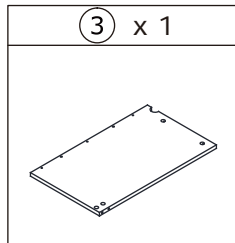
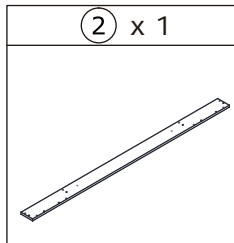
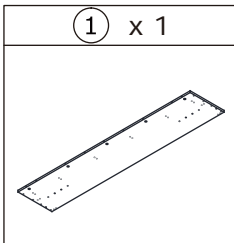
PS: "+2" IS SPARE PARTS

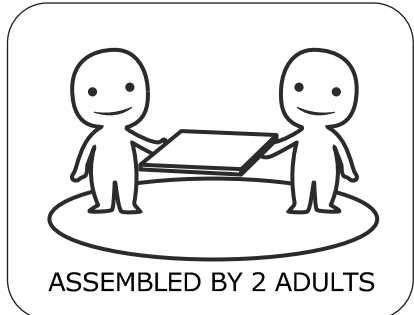
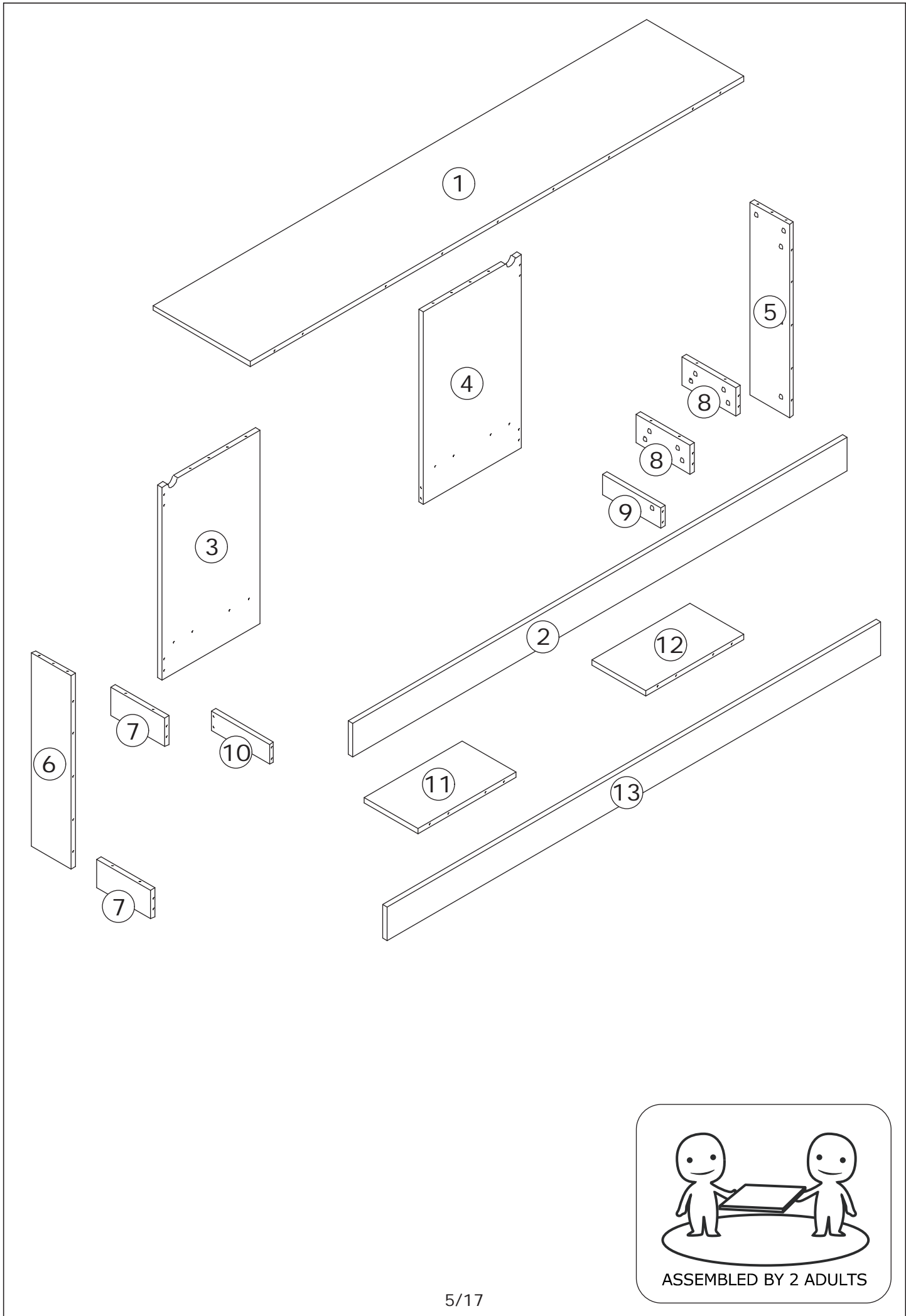


Please prepare the following tools

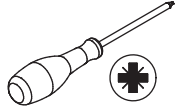
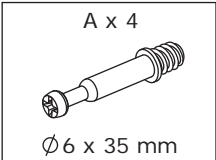


When installing, please carefully confirm whether each screw corresponds to the manual, accessories with similar shapes can be distinguished by size

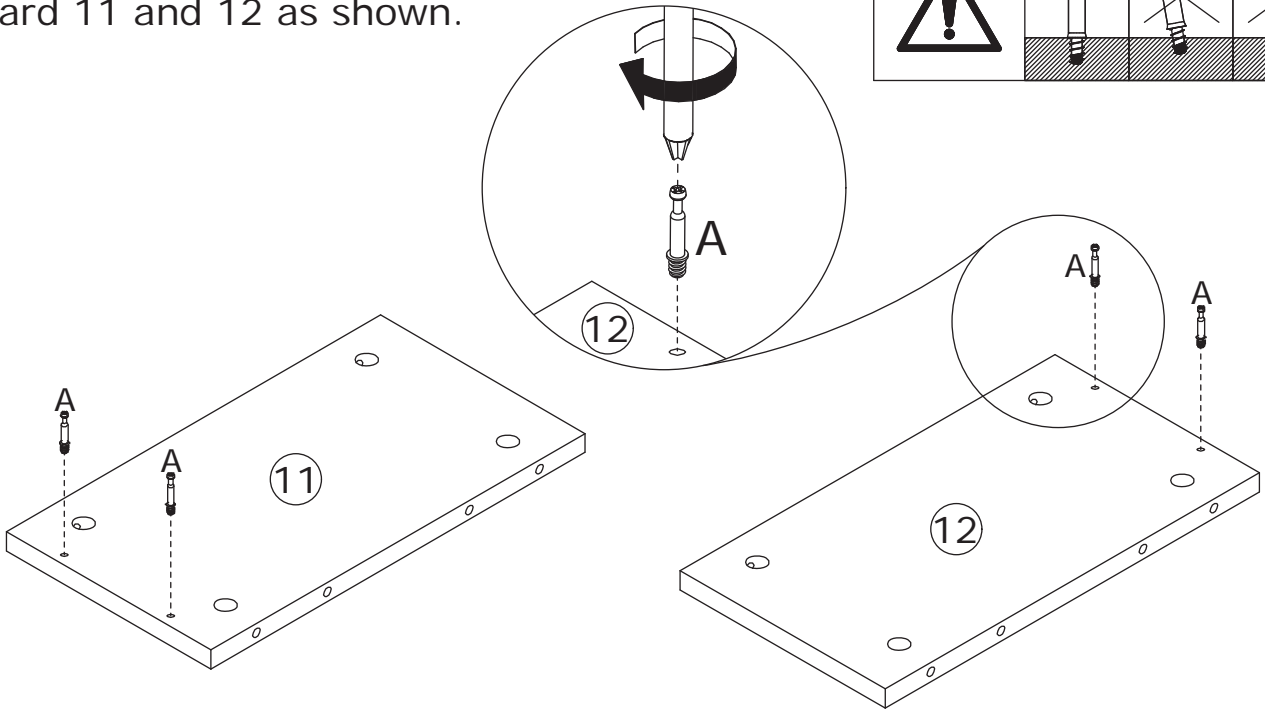
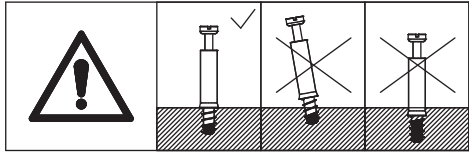




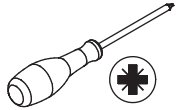
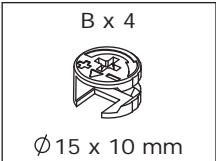
1



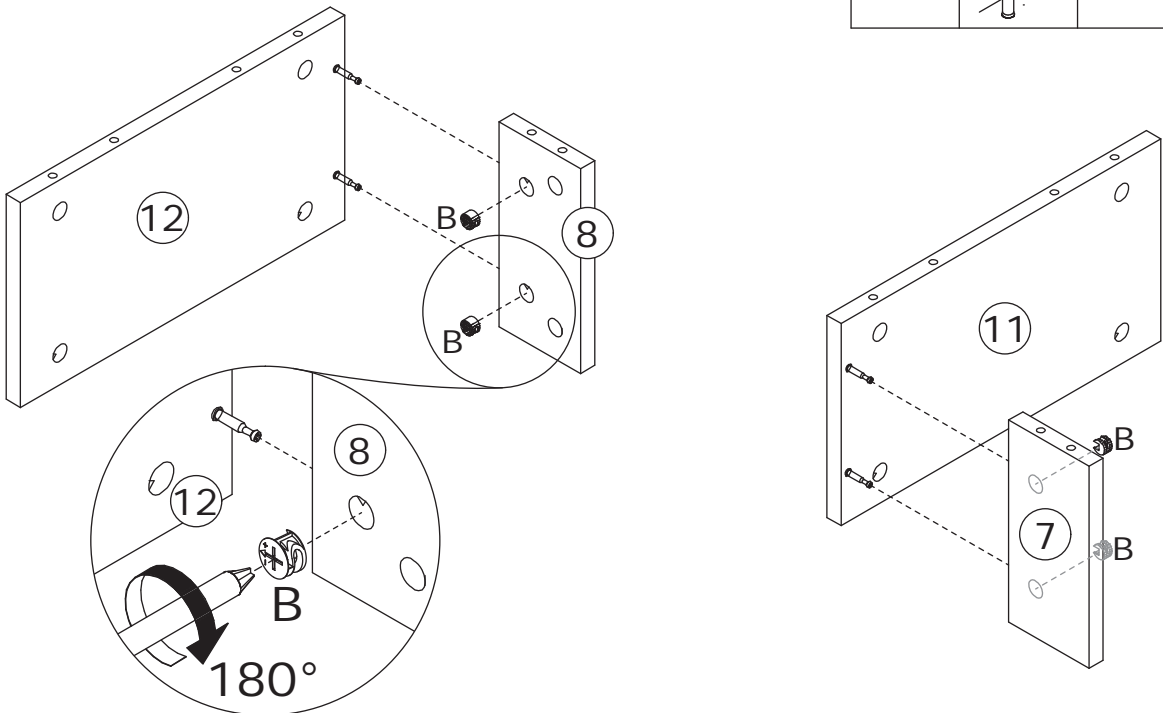
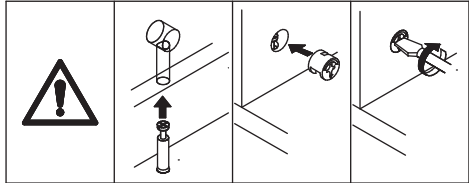
Screw eccentric rod(A) into board 11 and 12 as shown.



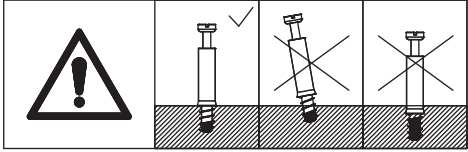
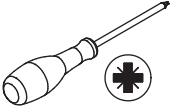
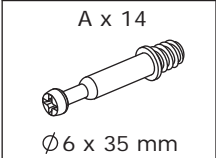
2



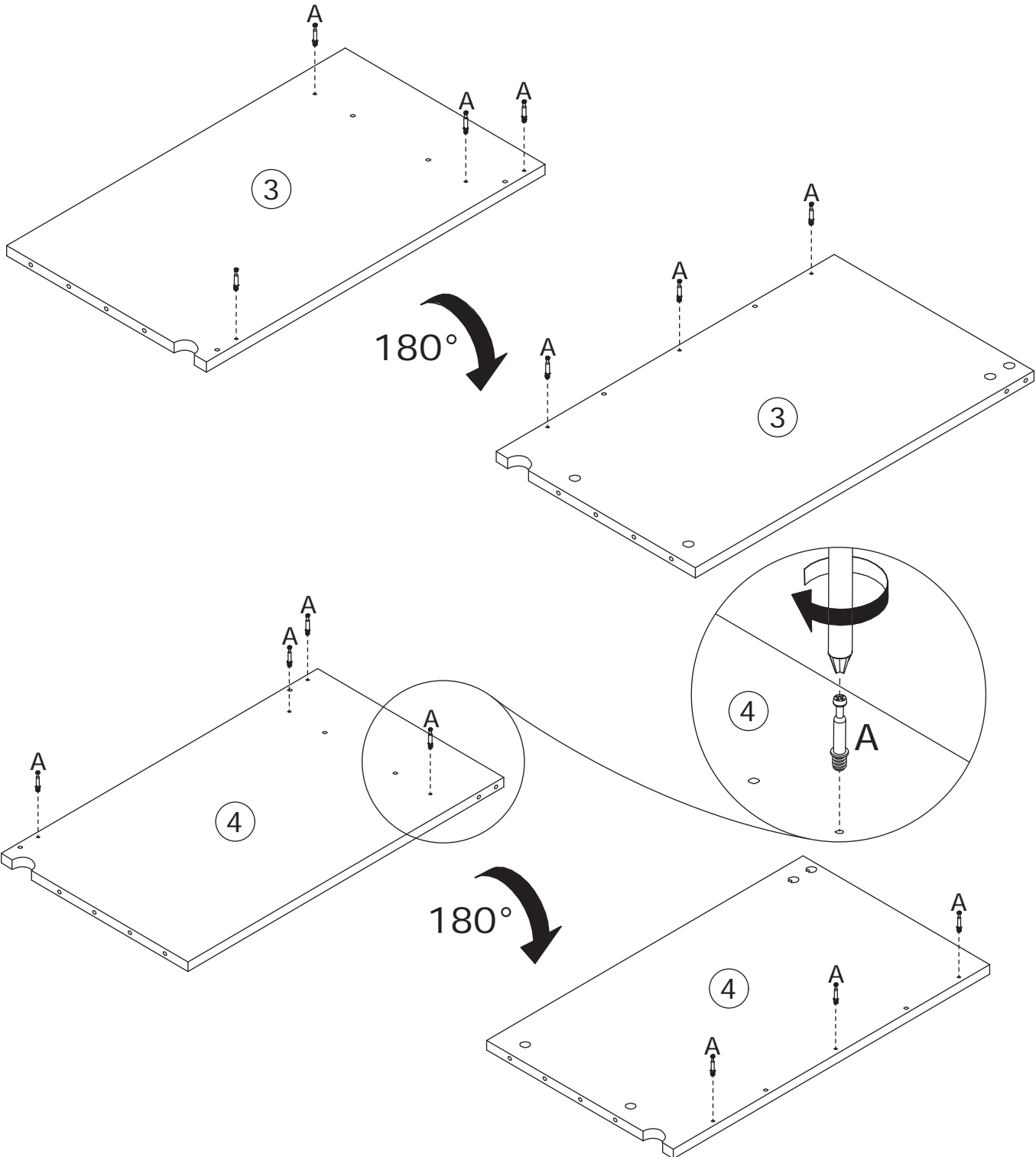
Attach board 7 to board 11 and board 8 to board 12, add cam lock(B) into board 7,8 and turn clockwise to tighten as shown.



3



Screw eccentric rod(A) into board 3 and 4 at first.  
**Flip to back**, screw eccentric rod(A) into as well.



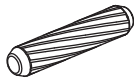
4

B x 8

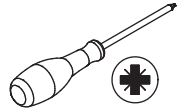


Ø15 x 10 mm

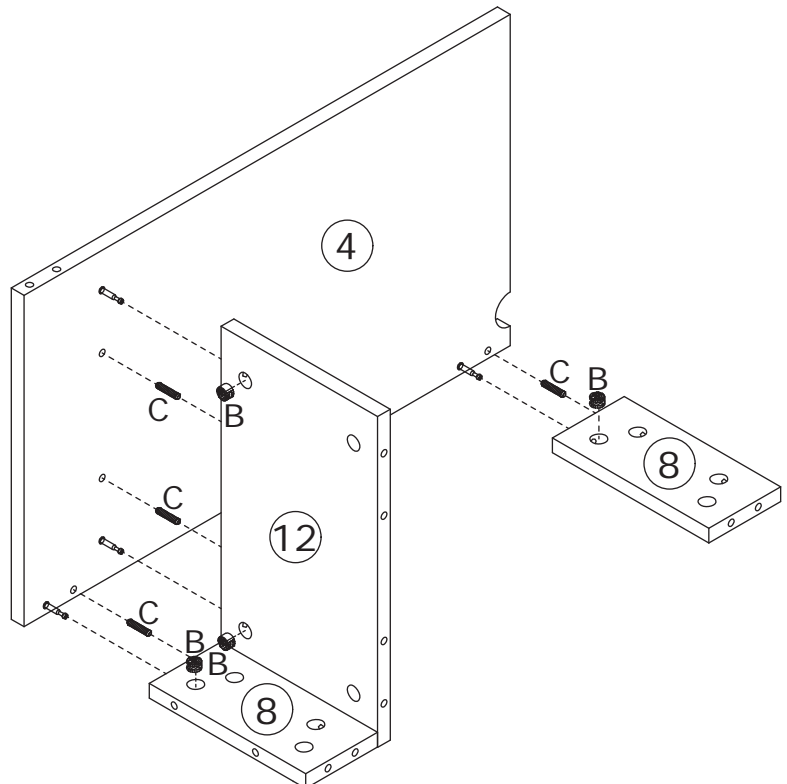
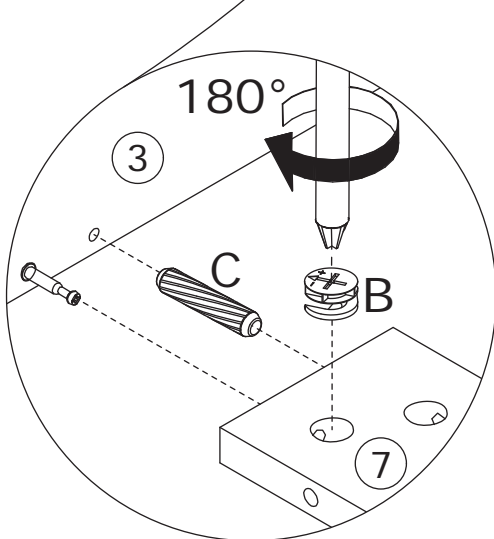
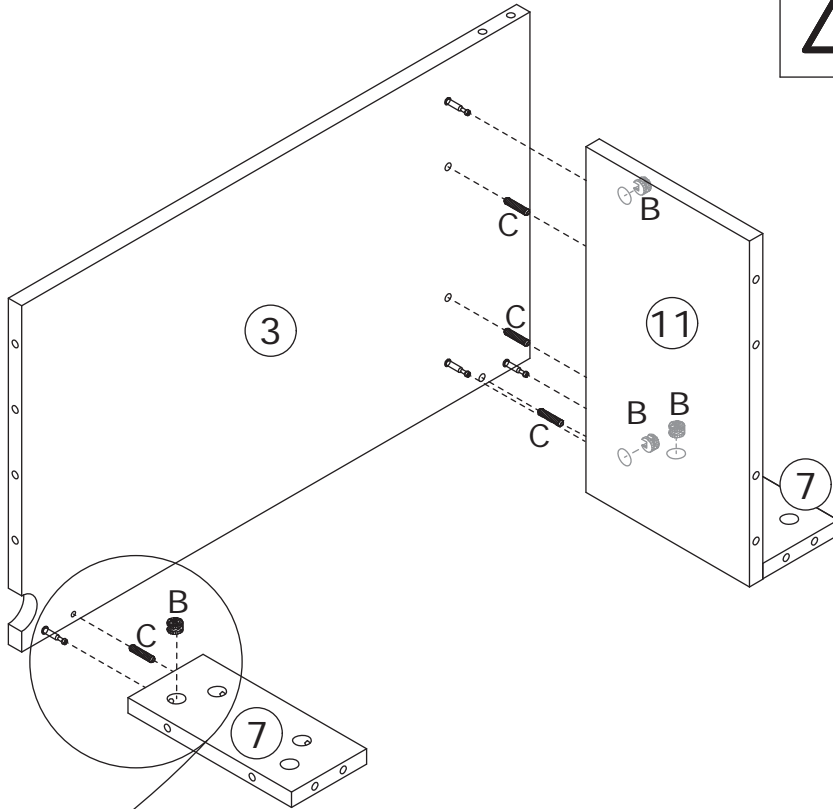
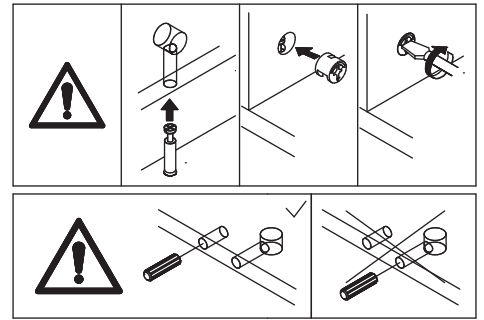
C x 8



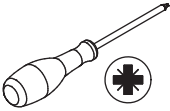
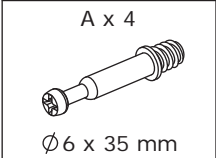
Ø7 x 30 mm



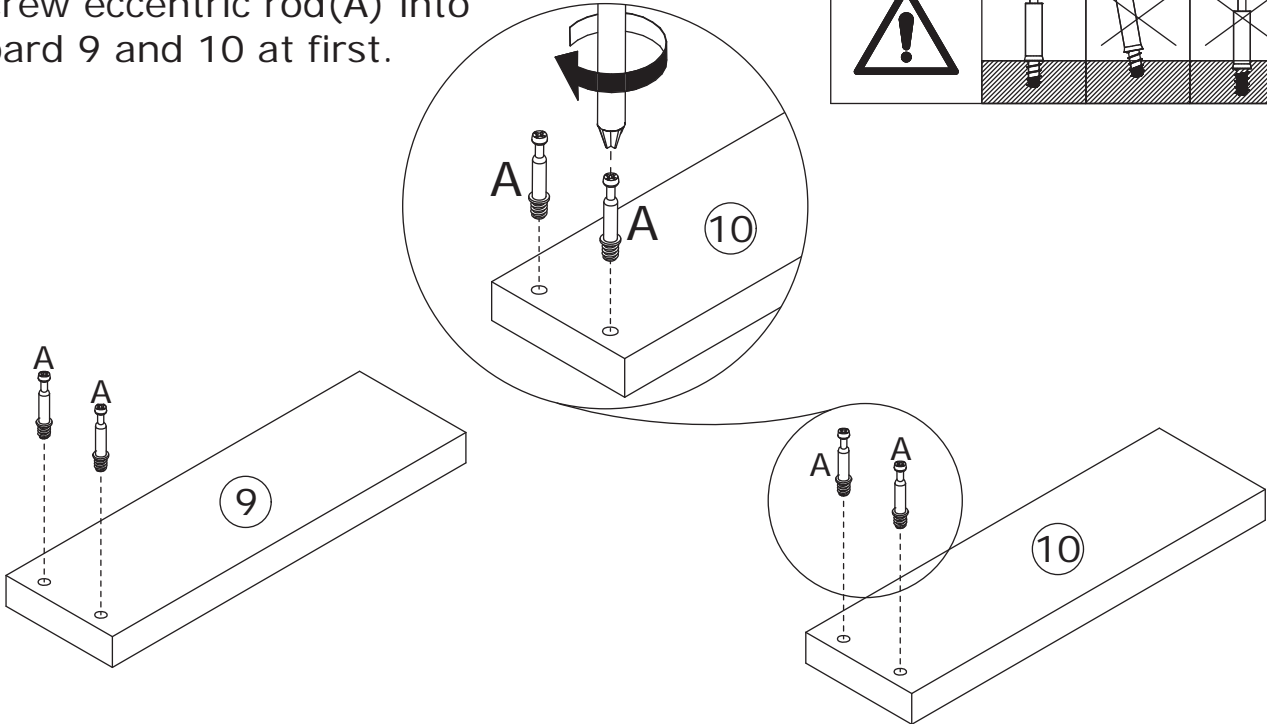
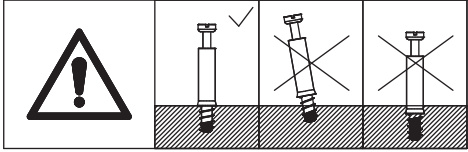
Attach board 3 to board 7 and 11 and board 4 to board 8 and 12 using wooden dowel(C), add cam lock(B) into board 11,7,8,12 and turn clockwise to tighten as shown.



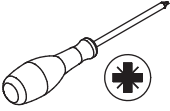
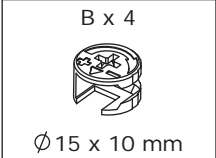
5



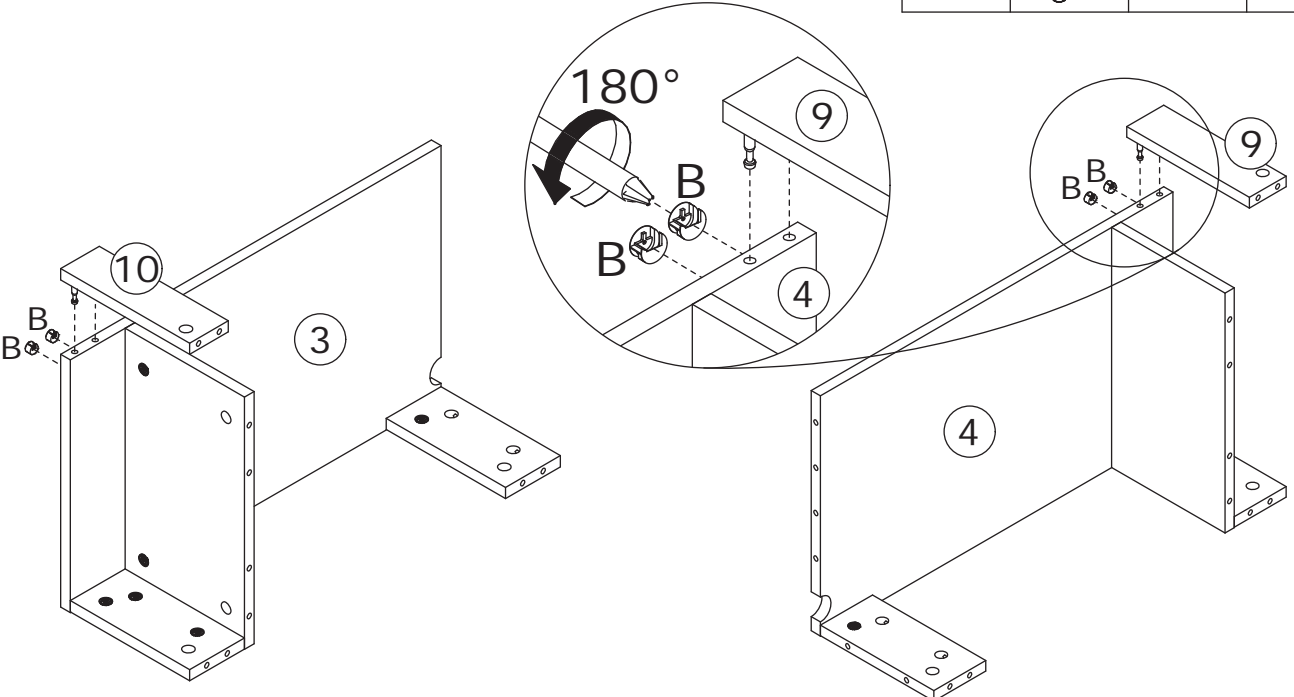
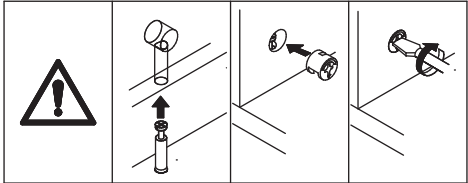
Screw eccentric rod(A) into board 9 and 10 at first.



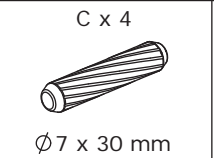
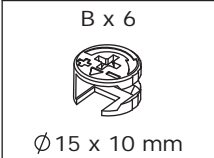
6



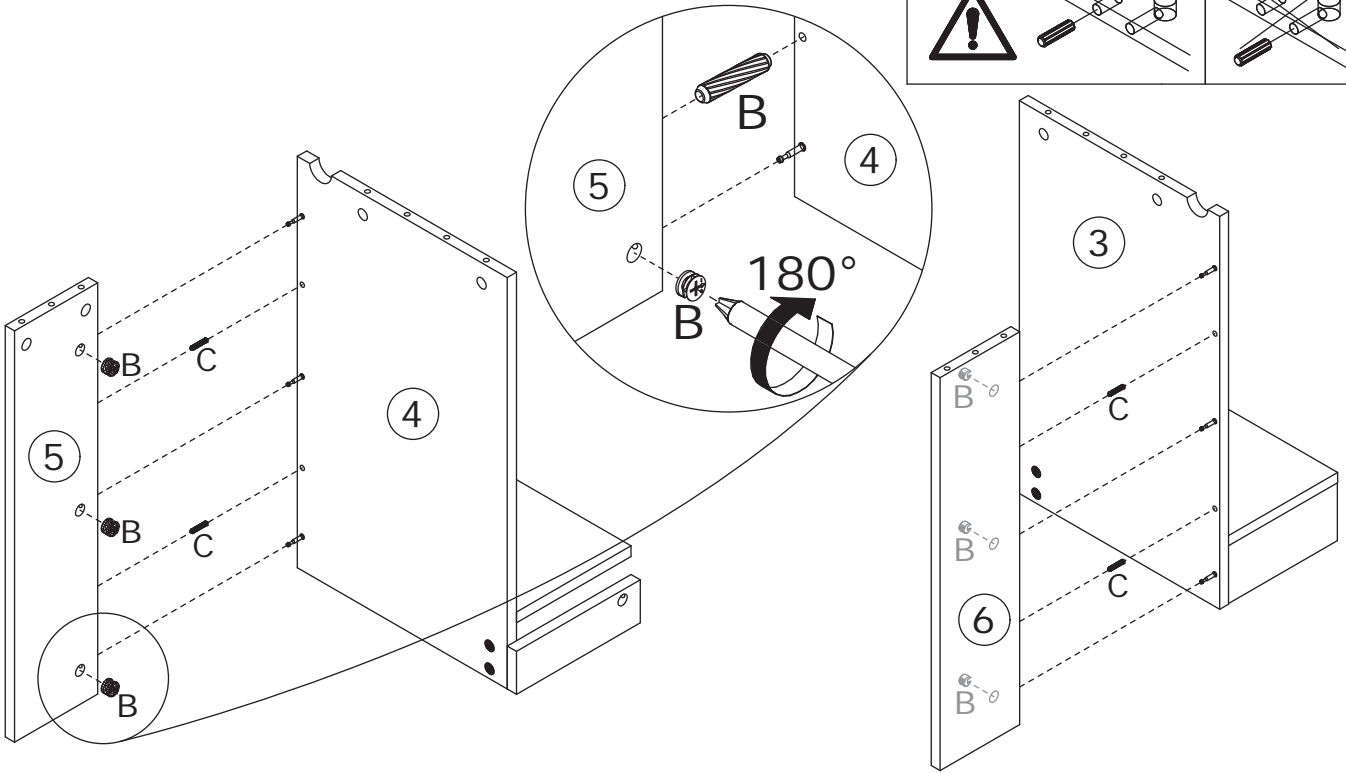
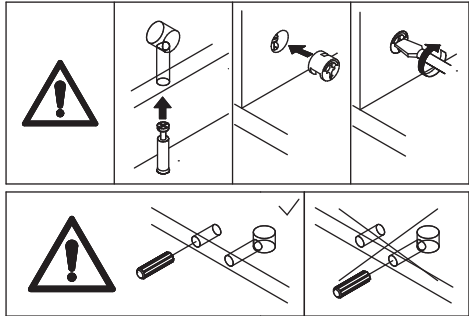
Attach board 10 to board 3 and board 9 to board 4, add cam lock(B) into board 3,4 and turn clockwise to tighten as shown.



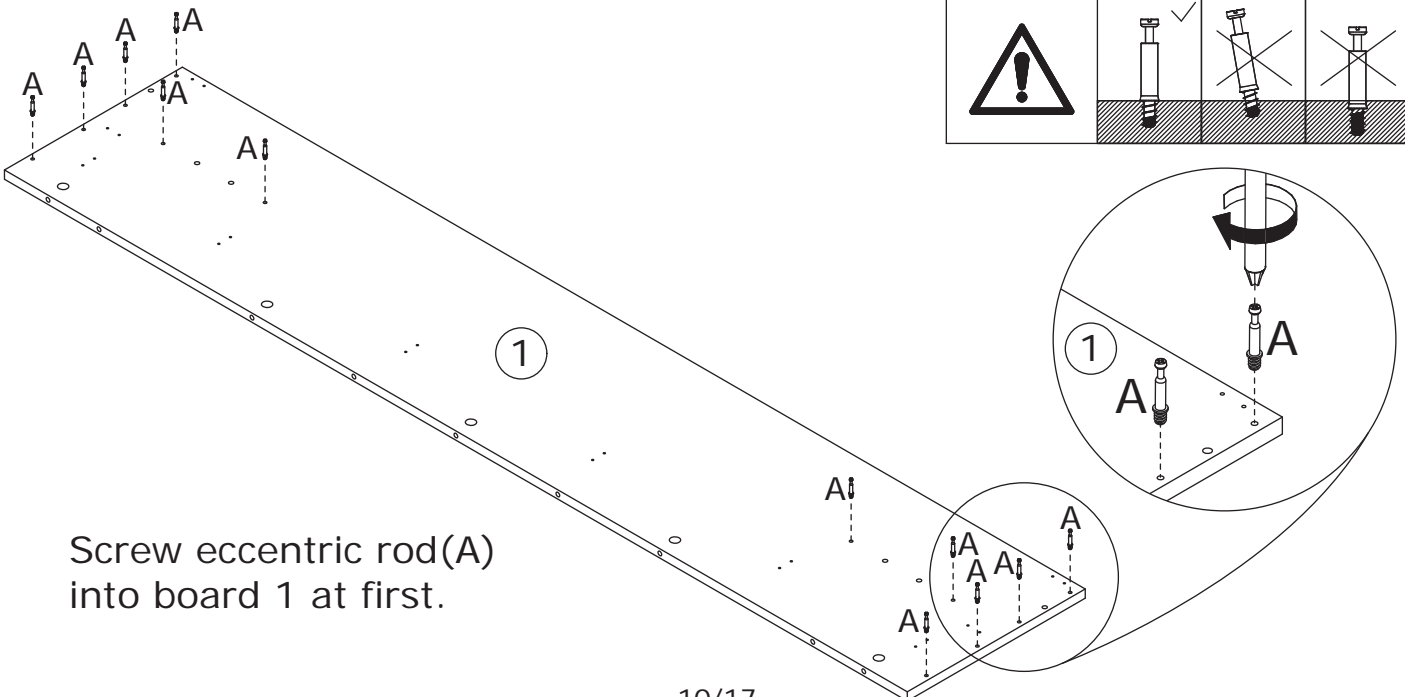
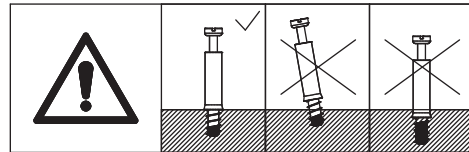
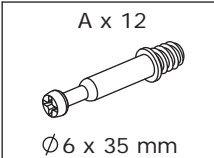
7



Attach board 5 to board 4 and board 6 to board 3 using wooden dowel(C), add cam lock(B) into board 5,6 and turn clockwise to tighten as shown.

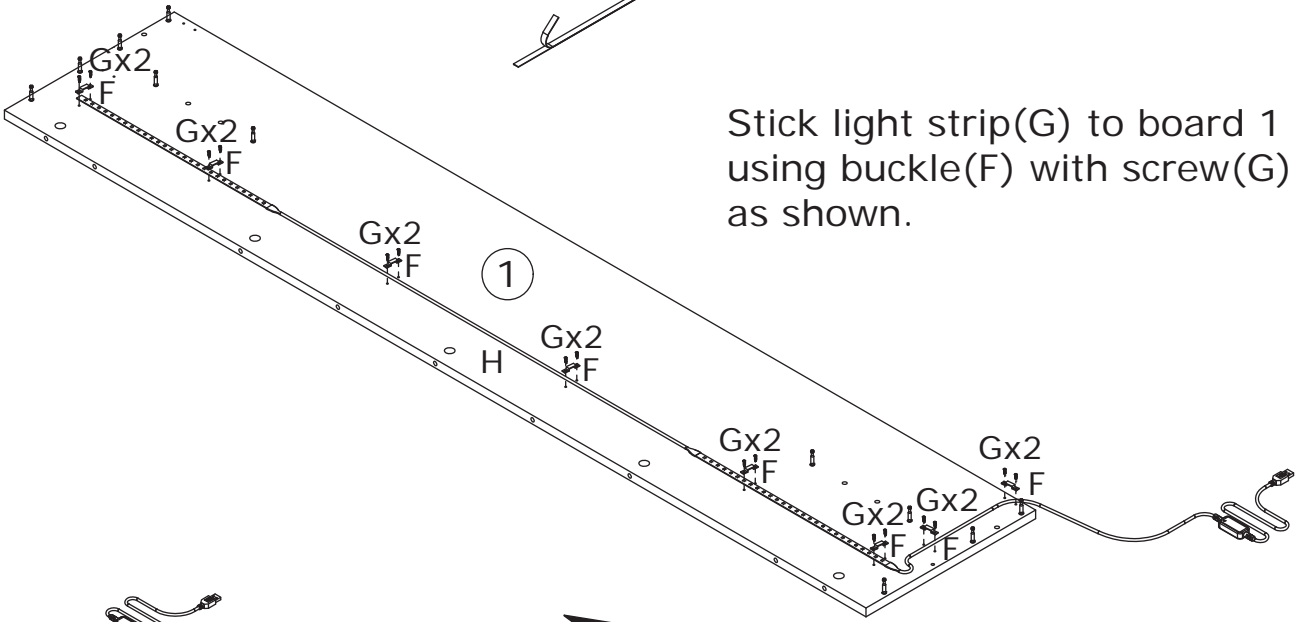
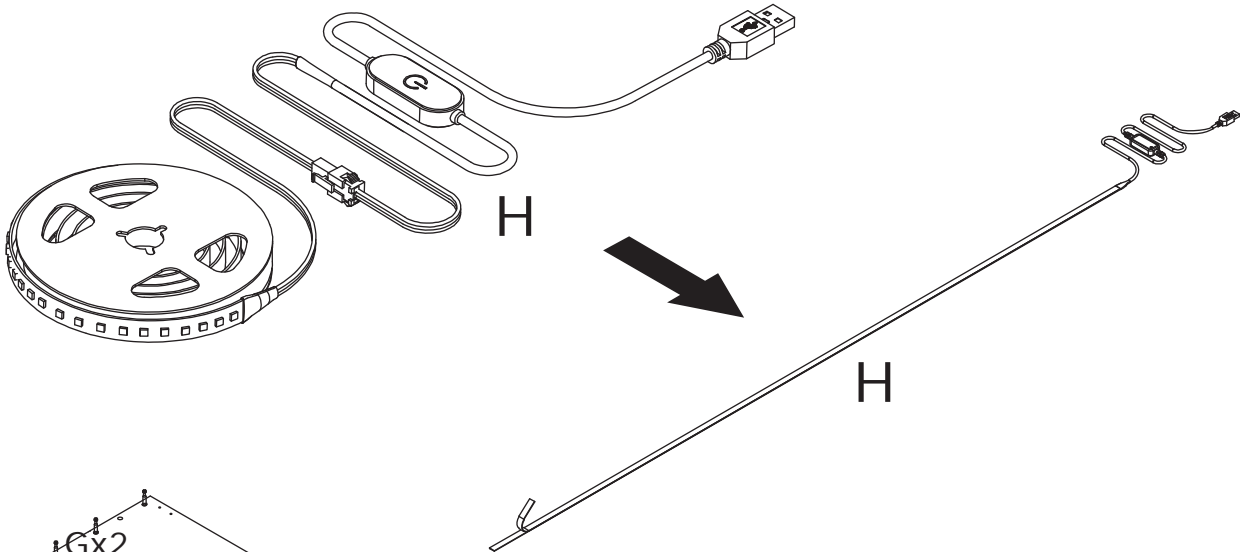
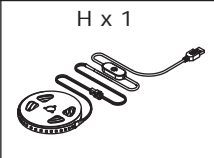
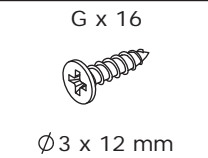
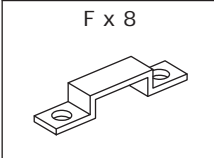


8



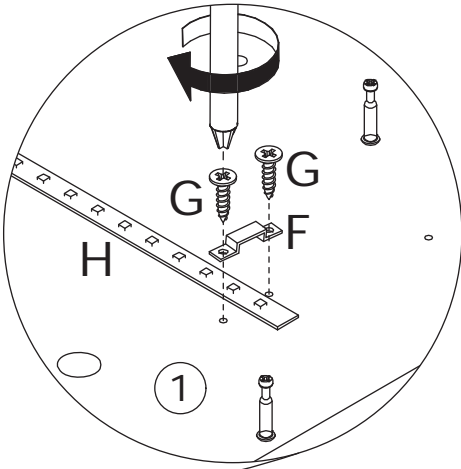
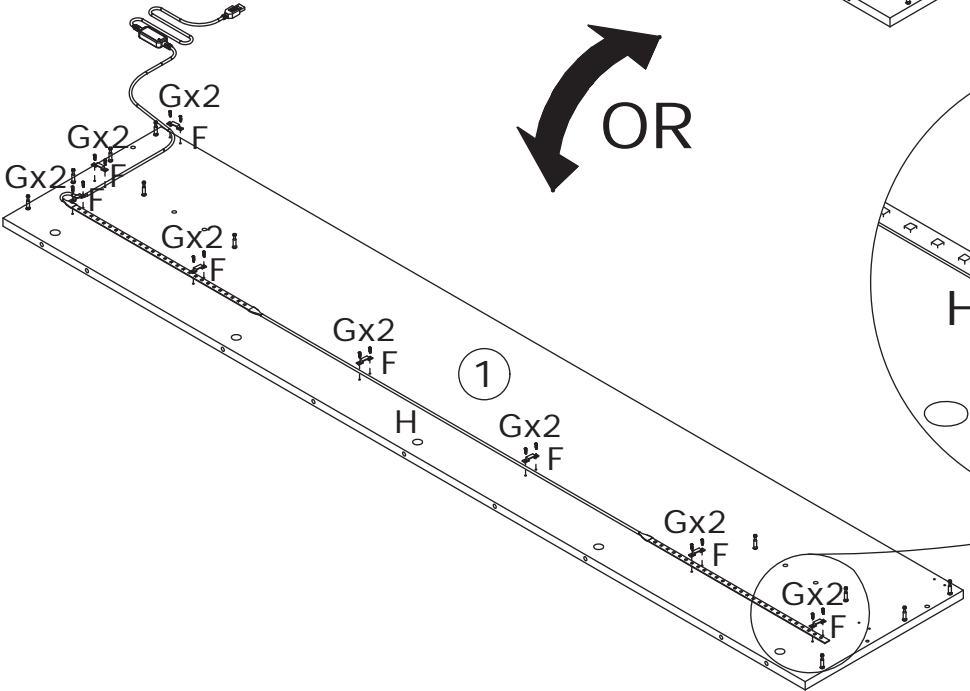
Screw eccentric rod(A) into board 1 at first.

9

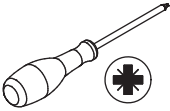
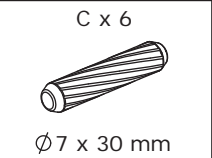
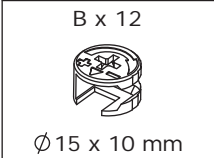


Stick light strip(G) to board 1 using buckle(F) with screw(G) as shown.

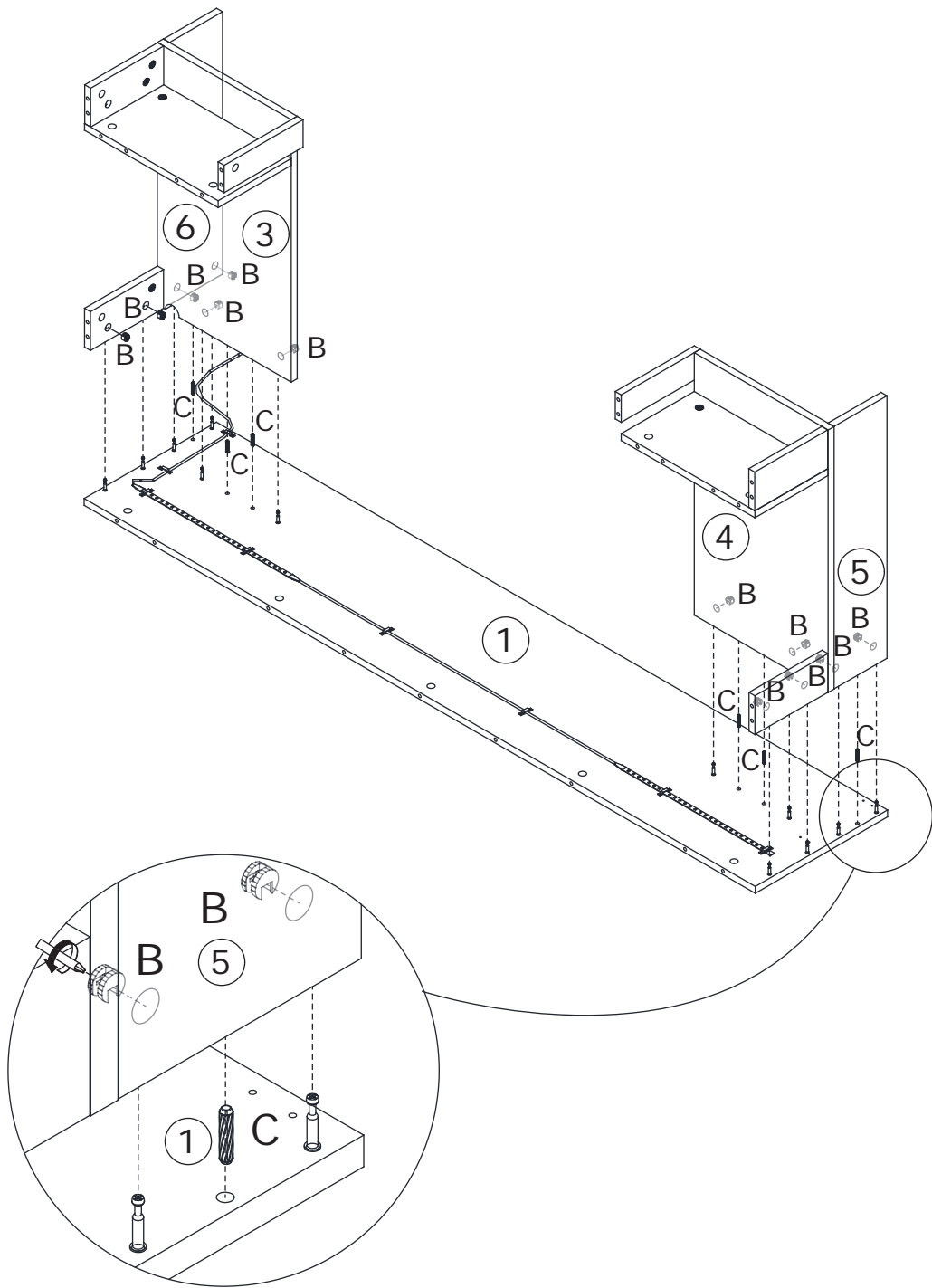
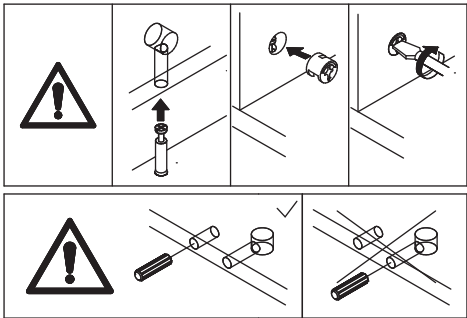
OR



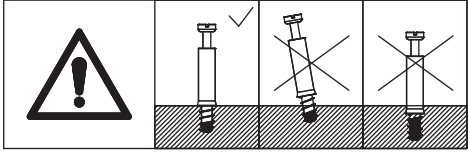
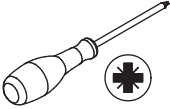
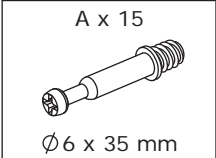
10



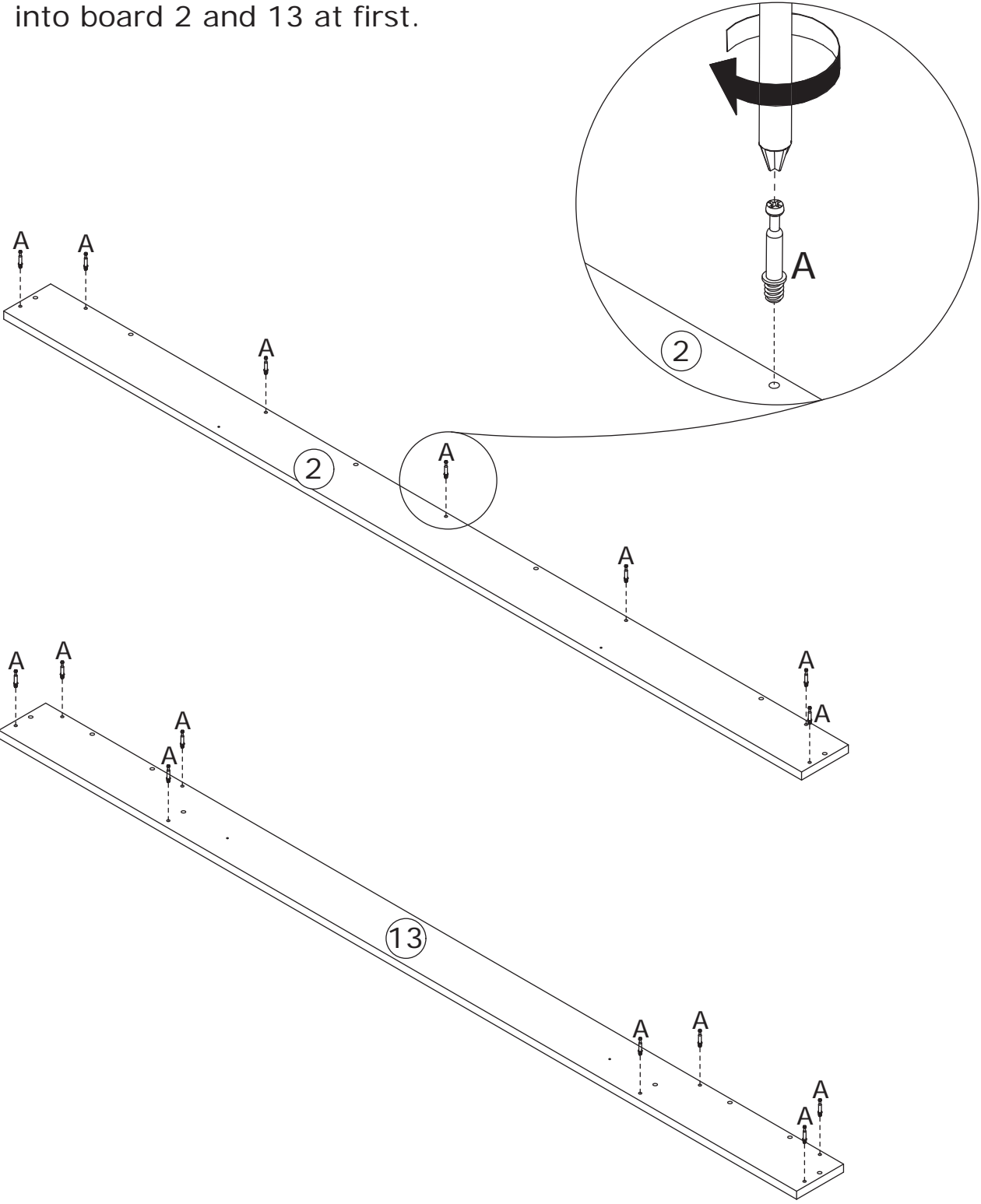
Attach board 1 to board 3, 7, 6, 5, 8 and 4 using wooden dowel(C), add cam lock(B) into and turn clockwise to tighten as shown.



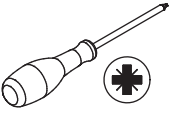
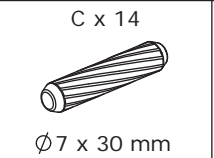
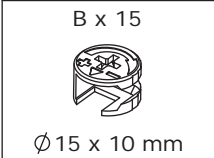
11



Screw eccentric rod(A)  
into board 2 and 13 at first.

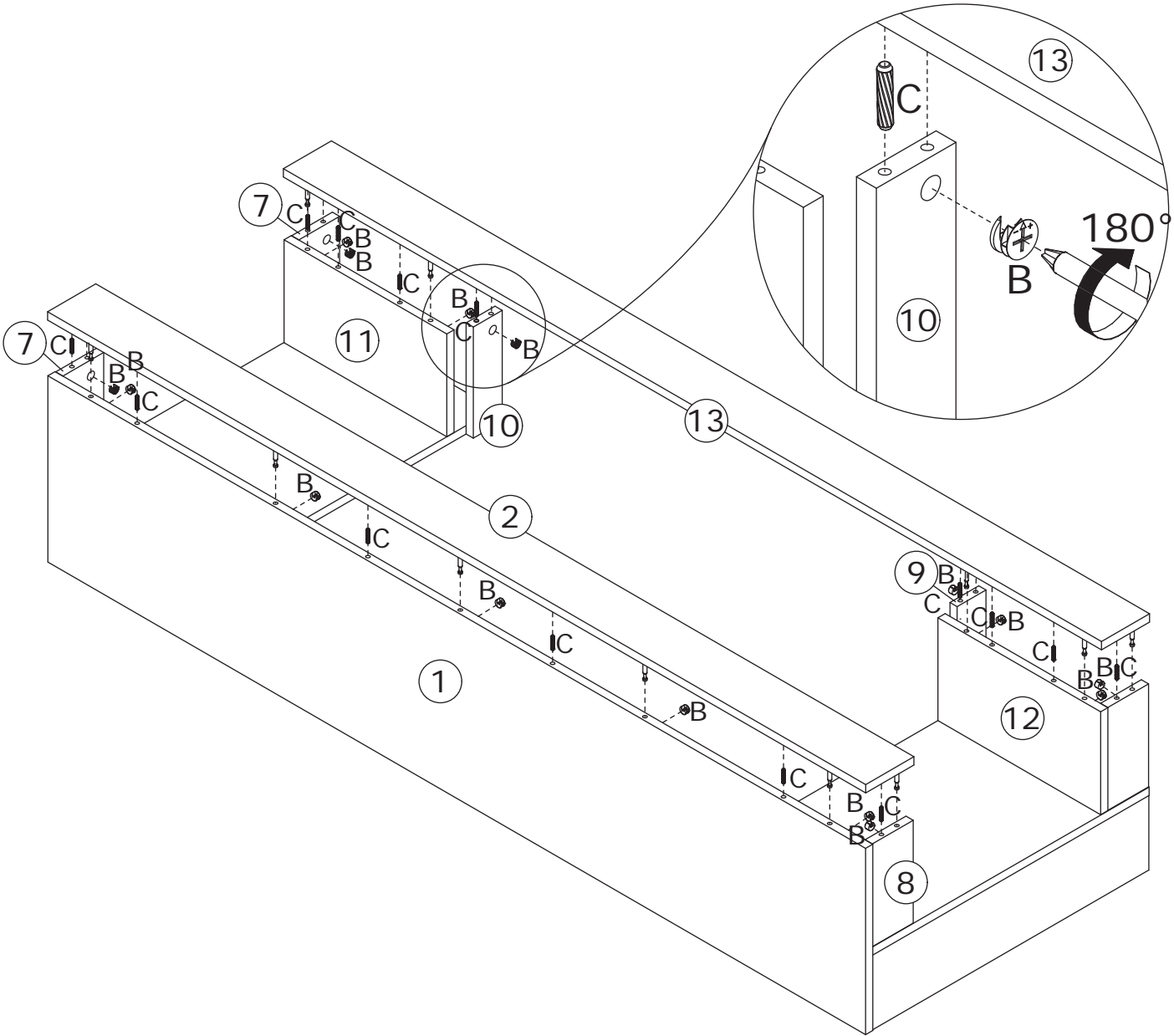
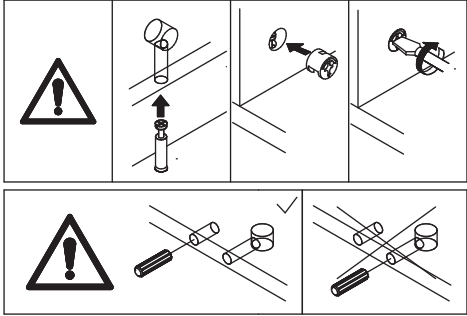


12

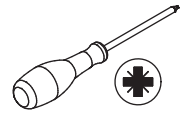
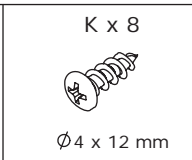
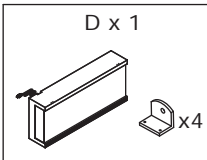


Attach board 2 to board 7, 1 and 8 using wooden dowel(C), add cam lock(B) into and turn clockwise to tighten as shown.

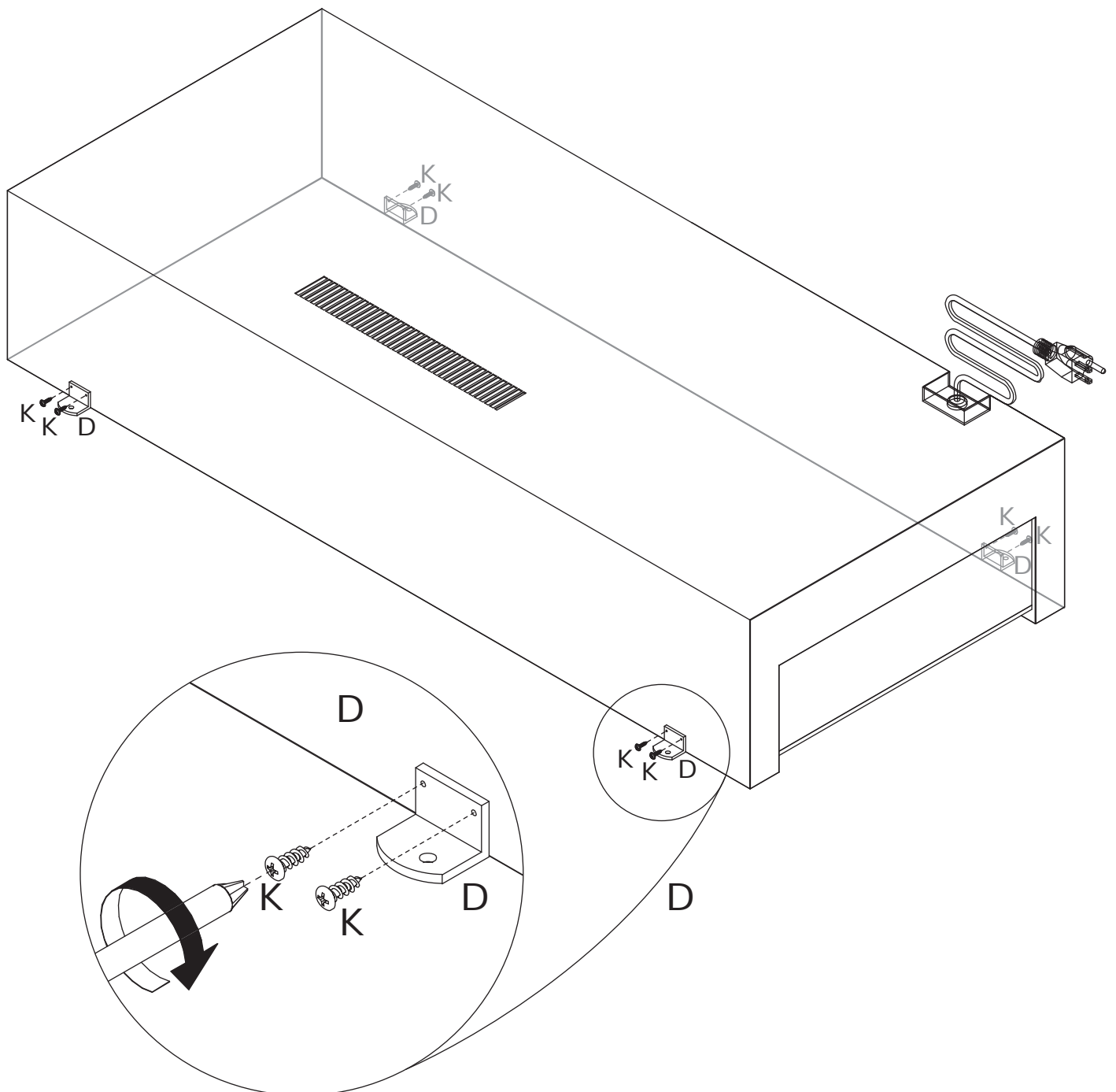
Attach board 13 to board 7, 11, 10, 9, 12 and 8 using wooden dowel(C), add cam lock(B) into and turn clockwise to tighten as shown.



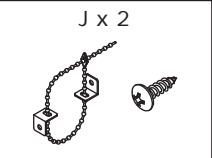
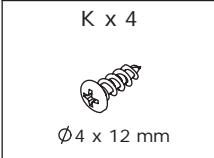
13



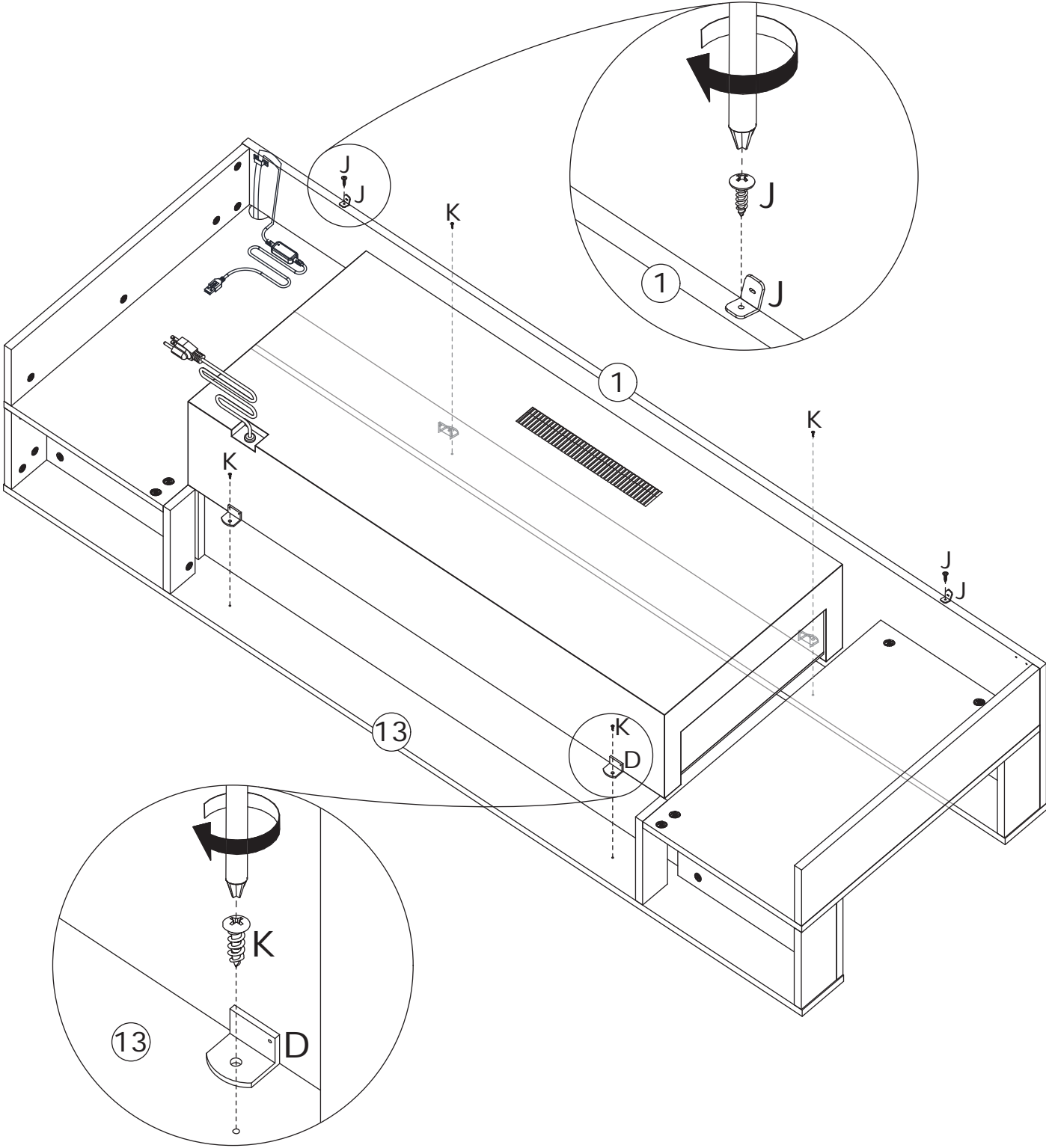
Fix part(D) to fireplace as shown.



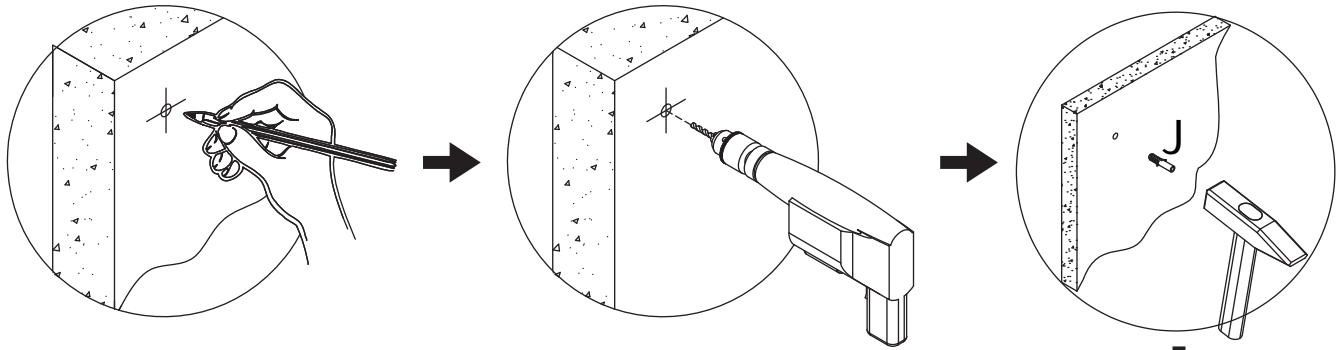
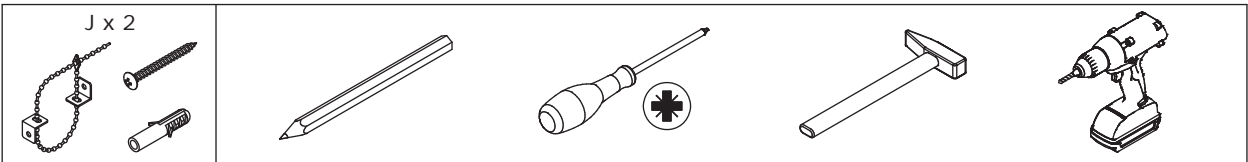
14



Fix the fireplace to board 12 and 13 using part(J) as shown.

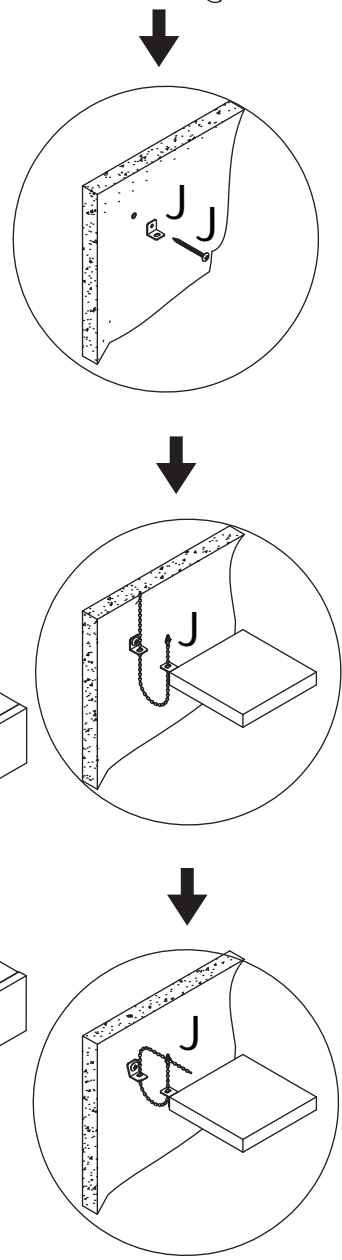
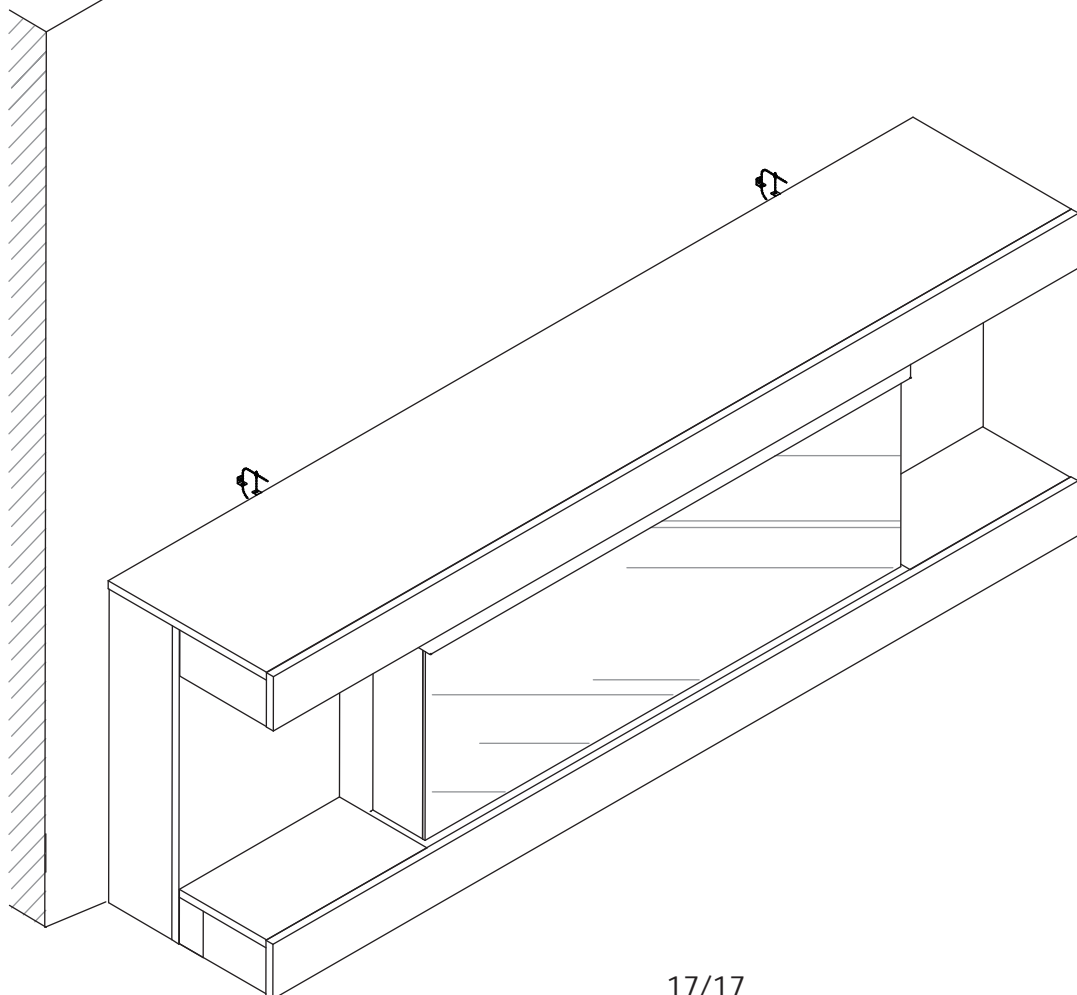


15



Install anti-tipping device as shown.

Wall



# WARRANTY

## WARRANTY CLAIMS

- There is a 30-day warranty for broken furniture or any other problems that do not work properly. The warranty will start from the date of purchase which must be verified by proof of purchase.
- Before making a claim, we may be able to answer your query, simply call us. Please leave your purchase order number, along with some details of the problem, if you want a replacement part. We will arrange within 48 hours. If there is out of stock, we will reply with a shipping date.
- The product must be used in accordance with the instructions provided. For health reasons.
- For other reasons, if the furniture needs to be returned, it must be cleaned and dried and operated within 30 days of receipt.

## Type of Warranty Claim

- Failure to follow the furniture instructions will invalidate the warranty. Attention please.
- Does not include damage during installation, but includes damage during transportation.

## Scope of responsibility

- Shall not bear any responsibility for misuse or user damage and / or loss of parts during the installation of furniture.
- After using, the damage and scratches of the furniture are not covered by the warranty.

## The Warranty Relates to All Bought in The Us and Covers The Following Areas

- Sheet parts: 1 month from the date of purchase.
- Electrical parts: 1 month from the date of purchase.

# RETURNS

## CHANGED YOUR MIND AND NEED TO RETURN YOU ITEM?

### PLEASE FOLLOW THE BELOW INSTRUCTIONS:

- If you have purchased and have simply changed your mind, follow the retailer's instructions for returns.

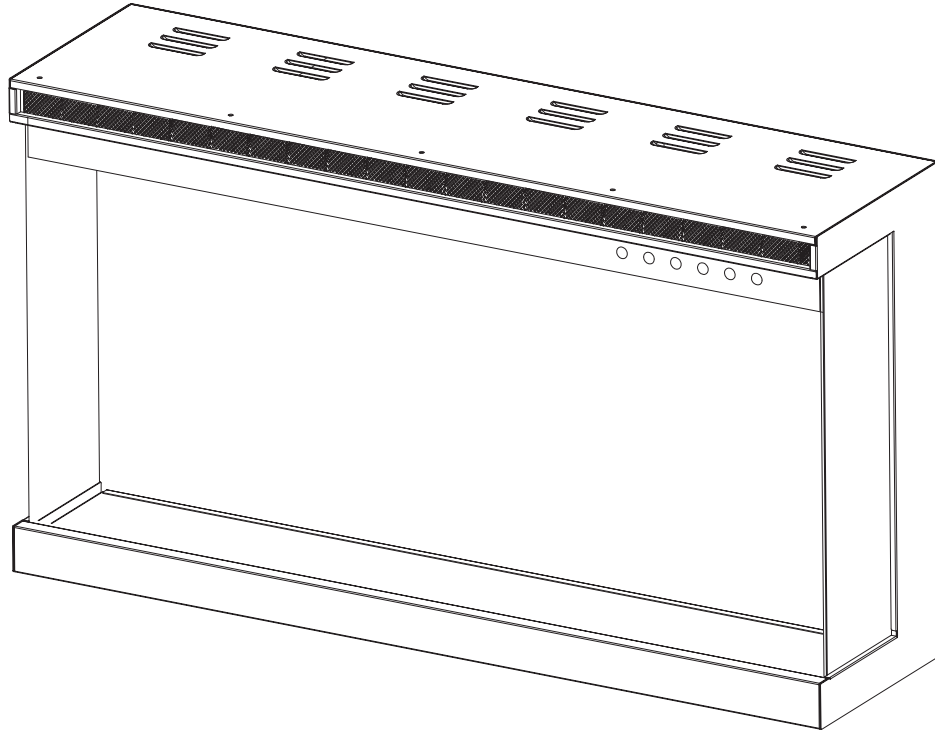
### DEFECTIVE ITEMS

- If your item is defective in any way, i.e. it doesn't work but you can't identify why, in the first instance, please call us.

### DAMAGED ITEMS

- If you receive an order with obvious shipping damage from the retailer, then we suggest the delivery is refused. If the delivery has been accepted and then shipping damage is found, please follow the specific instructions advised by the retailer.  
In all circumstances please save all packaging material and paperwork for the order. Please be aware that if you dispose of packaging material or attempt to return the merchandise without contacting the fulfiller, you jeopardise your chances of making a claim, and you may not receive a credit for the return.

# OWNER'S MANUAL FIREPLACE



AC 120V 60Hz

**⚠ WARNING//**  
**⚠ Waarschuwing**

**Read and understand** this entire owner's manual, including **all safety information**, before plugging in or **using** this product. Failure to do so could result in **fire, electric shock, or serious personal injury**.

**Lees en begrijp deze gehele gebruikershandleiding**, inclusief alle veiligheidsinformatie, voordat u de stekker in het stopcontact steekt of dit product gebruikt. Als u dit niet doet, kan dit leiden tot brand, elektrische schokken of ernstig persoonlijk letsel.

# IMPORTANT SAFETY INFORMATION!

## WARNING

When using electrical appliances basic precautions should always be followed to reduce the risk of fire, electric shock and injury to persons, including the following:

- Read all instructions before using this fireplace.
- Always unplug fireplace when not in use.
- Do not operate any fireplace with a damaged cord or plug or after the fireplace malfunctions, has been dropped damaged in any manner, return fireplace to authorized service facility for examination, electrical or mechanical adjustment, or repair.
- Indoor use only, do not use outdoors.
- This fireplace is not intended for use in bathrooms, laundry areas and similar indoor locations. Never locate fireplace where it may fall into a bathtub or other water container.
- Do not run cord under carpeting. Do not cover cord with throw rugs, runners, or similar coverings. Arrange cord away from traffic area and where it will not be tipped over.
- To disconnect fireplace, turn controls to off, then remove plug from outlet.
- Use this fireplace only as describes in this manual. Any other use not recommended by the manufacturer may cause fire, electric shock, or injury to persons.
- Replacement of the lamps should be done only while the fireplace is disconnected from the supply circuit.
- This appliance is not intended for use by persons (including children) with reduced physical, sensory or capabilities, or lack of experience and knowledge, unless they have been given supervision or instruction concerning use of the appliance by a person responsible for their safety. Children should be supervised to ensure that they do not play with the appliance.

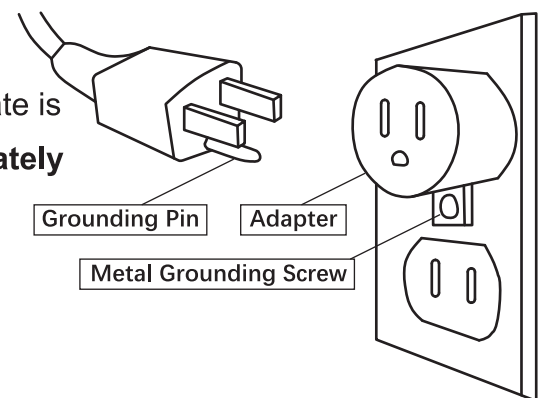
**ALWAYS** check your heater cord and plug connections with each use!

- MAKE SURE** the plug fits tightly in the outlet! Faulty wall outlet connections or loose plugs can cause the outlet to overheat.
- Heaters draw more current** than small appliances. occurred with the use of other appliances.
- During use, frequently check to see if the plug outlet or faceplate is
- If the outlet or faceplate is **HOT**, **discontinue use immediately** inspect and/or replace the faulty outlets.

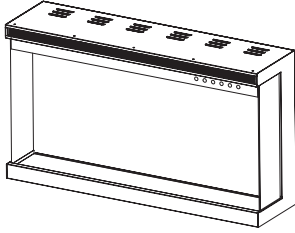


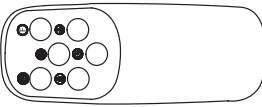
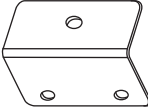

The power cord supplied with the heater has a plug with two flat blades (live and neutral) and one round pin (ground). If a 3-slot receptacle is not available, an adapter **MUST** be used. The adapter **MUST** be **properly grounded** to the outlet box (see figure at right).

**NOTE: Adapter NOT INCLUDED.**

Under no circumstances should this fireplace be modified.



# Parts and Hardware

No.	Parts	Qty.
A	 Fireplace	1
B	 M4 x 8mm Screw	12
C	 Logs	1PK
D	 Remote Control	1
E	 Metal Bracket	4
F	 Decorative Crystals	1PK



Inspect packaging to ensure all parts are accounted for before disposing of packing materials.



2-PERSON  
ASSEMBLY/  
INSTALLATION



## WARNING

**CHOKING HAZARD** — This item contains small parts that can be swallowed. Keep children away during assembly.

# Preparation

 **This product includes a GLASS panel! Always use extreme caution when handling glass. Failure to do so could result in personal injury or property damage.**

Remove all parts and hardware from the carton and place them on a clean, soft, dry surface. Parts and assembly steps are grouped for free-standing or wall-hanging use. Check the parts list to make sure nothing is missing. Dispose of packaging materials properly. Please recycle whenever possible.

 Before installation, plug the unit into a properly grounded outlet to ensure the unit works properly.

### Tools needed for installation (not included):

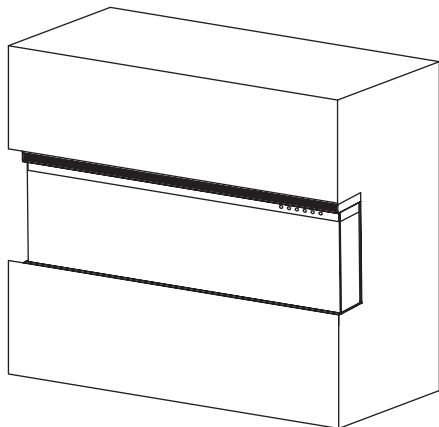
Phillips screwdriver, stud finder, level, tape measure, pencil, electric drill, 1/4" wood drill bit, hammer

## WARNING

**When using paint or lacquer to finish the mantel, the paint or lacquer must be heat resistant to prevent discoloration.**

# Installation Overview

Your appliance facilitates three different installation configurations: **three-sided**, **two-sided**, and **Single-sided**.

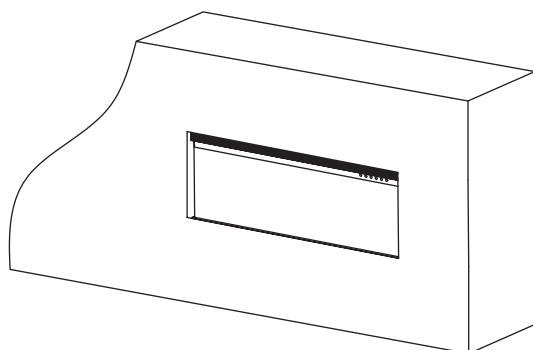
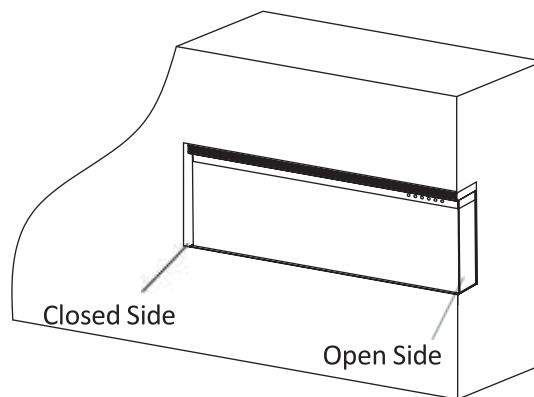


## Three-sided installation

- Glass exposed on front, left, AND right sides.
- Appliance is fully recessed into the wall with both sides open.

## Two-sided installation

- Glass exposed on front, AND left OR right sides.
- Appliance is fully recessed into the wall with one side open.

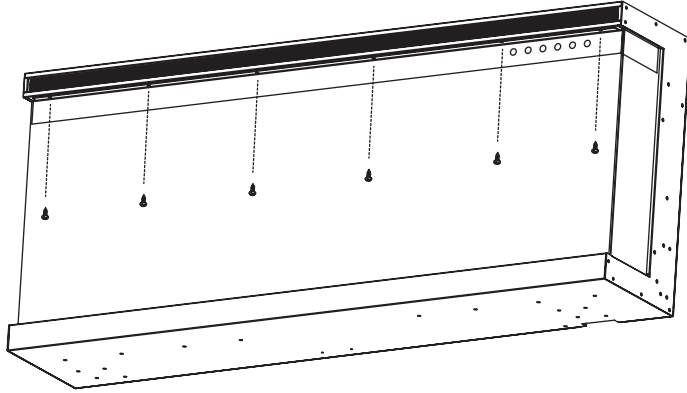


## Single-sided installation

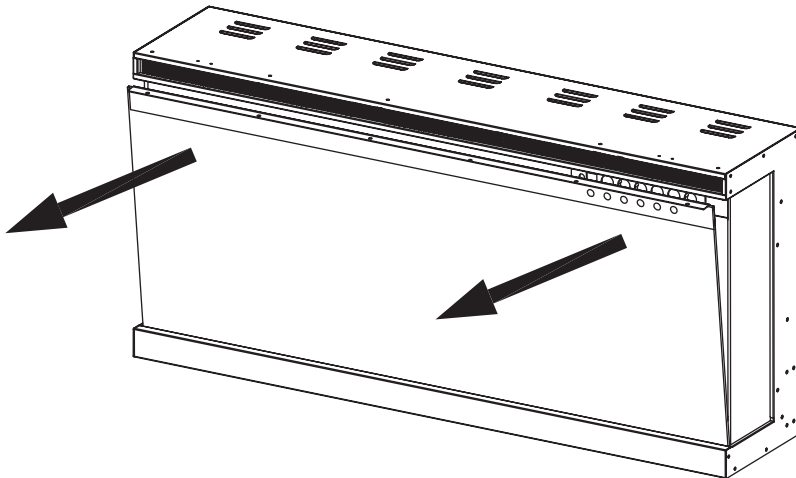
- Glass exposed on front ONLY.
- Appliance is fully recessed into the wall.

# How do remove Front glass?

1. Remove the screws from the top glass panel.



2. Try to lift the glass to the front with 2 people



3. Do the reverse to reset everything

# Log-set / Crystals/Pebbles Installation

(OPMERKING: voer de installatie uit volgens de sintels die u hebt gekocht of geselecteerd.)

- A. Glass front must be removed and the appliance must be mounted in its final location before the drift logs embers are installed.
- B. Carefully place the plastic ember bed strip to the slot, then place crystal/pebbles embers onto the surface of the ember bed as illustrated. Apply an even layer from side to side. **Figure 1, Figure 2.**



Figure 1. (Crystals )



Figure 2. (logs )

## Operation

**Read and understand** this entire owner's manual, including **all safety information**, before plugging in or **using** this product. Failure to do so could result in **electric shock, fire, serious injury, or death.**

### Power

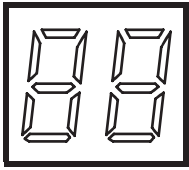
Plug the power cord into a AC Volt outlet (see **IMPORTANT SAFETY INFORMATION** on **Pages 2** ). Make sure the outlet is in good condition and that the plug is not loose. **NEVER** exceed the maximum amperage for the circuit. **DO NOT** plug other appliances into the same circuit.


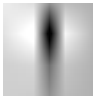
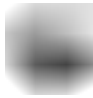

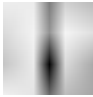

### Methods of Operation

Before operating, please review the **IMPORTANT SAFETY INFORMATION** on **Pages 2**, and heed all warnings.

This electric fire can be operated via the TOUCH PANEL or via the battery-powered REMOTE CONTROL.

## Touch panel operation



Button	Function	ACTION AND INDICATION
 <b>POWER</b>	<b>ON:</b> Enables control panel and remote control function. Turns on the flame effect. <b>OFF:</b> Disables control panel and remote control function. Turns off the flame effect.	<ol style="list-style-type: none"> <li>press once. Indicator light turns on. power turns on. All functions are enabled.</li> <li>press again, power and all functions turn off. unit goes to standby.</li> </ol>
 <b>COLOR</b>	<b>COLOR button:</b> changes the color flame effect. <b>12 color settings:</b> c1, c2, c3.... 10,11,12.	<ol style="list-style-type: none"> <li>press once to change the color flame effect.</li> <li>press again until desired setting is reached.</li> </ol>
 <b>FLAME</b>	<b>FLAME button:</b> Makes flame effect brighter and dimmer. <b>NOTE:</b> Flame effect stays on until power button is turned off. Flame effect must be on for the heater to turn on. <b>5 brightness settings:</b> L1, L2, L3....L5	<ol style="list-style-type: none"> <li>press once to change flame color brightness.</li> <li>press again until desired setting is reached; L1 is dimmest, L5 is brightest.</li> </ol>
 <b>HEATER</b>	<b>HEATER button:</b> Turns heater on and of. <b>NOTE:</b> To prevent overheating, the heater fan will blow out cool air for 30 seconds after the heater turn off. 00, LL, HH will show on the display.	<ol style="list-style-type: none"> <li>Press button,LL (low heat) about 750W.</li> <li>Press button,HH (high heat) about 1500W.</li> <li>press button, 00, heat function is off.</li> </ol>
 <b>TEMPERATURE</b>	<b>TEMPERATURE button:</b> Changes the temperature setting. setting ranges from 62°F to 82°F 62,63,64.....82 will show on the display.	Press button until desired setting is reached. LED display shows selected setting. Once the desired temperature is reached, the heater will stop heating the room. Heat will automatically turn back on when room temperature falls below the set temperature.
 <b>TIMER</b>	<b>TIMER button:</b> Controls the timer settings to automatically turn the fireplace off. settings range from 1 hour to 8 hours. 0H, 1H,2H...8H will show on the display.	Press button until desired setting is reached. LED display will show the setting. when time reaches the selected setting, the unit will automatically turnoff. 0H disables the timer function.

## Remote control operation



## Remote control Battery Information

Remote control uses 2 x 'AAA ' batteries (not included)



NEVER dispose of batteries in fire. Failure to observe this precaution may result in an explosion. Dispose of batteries at your local hazardous material processing center.

## Care and Maintenance

### cleaning



ALWAYS turn the fireplace OFF and unplug the power cord from the outlet before cleaning , performing maintenance , or moving this fireplace. Failure to do So could result in electric shock, fire, or personal injury.



NEVER immerse in water or spray with water. Doing So could result in electric shock, fire, or personal injury.

### Metal:

- Buff using a soft cloth , slightly dampened with a citrus oil-based product.
- DO NOT Use brass polish or household cleaners as these products will damage the metal trim.

**Glass:**

- Use a good quality glass cleaner sprayed onto the cloth or towel. Dry thoroughly with a paper towel or lint-free cloth.
- **NEVER** use abrasive cleansers, liquid sprays, or any cleaner that could scratch the surface.


**Vents:**

- Use a vacuum or duster to remove dust and dirt from the fireplace and vent areas.


**Plastic:**

- Wipe gently with a slightly damp cloth and a mild solution of dish soap and warm water.
- **NEVER** use abrasive cleansers, liquid sprays, or any cleaner that could scratch the surface.

**Maintenance**



**Risk of electric shock! DO NOT OPEN any panels! No user-serviceable parts inside!**




**ALWAYS** turn the fireplace **OFF** and **unplug the power cord from the outlet** before cleaning, performing maintenance, or moving this fireplace. Failure to do so could result in **electric shock, fire, or personal injury.**

**Electrical and Moving Parts:**

- Electrical components are integrated in the fireplace and are not serviceable by the consumer.

**Storage:**

- Store fireplace in a clean dry place when not in use.



**WARNING! NO SERVICING** of the internal or electrical parts should be performed by the consumer. Do not service the unit yourself.



**WEEE:**

**Meaning of crossed –out wheeled dustbin:**

Do not dispose of electrical appliances as unsorted municipal waste, use separate collection facilities. Contact you local government for information regarding the collection systems available. If electrical appliances are disposed of in landfills or dumps, hazardous substances can leak into the groundwater and get into the food chain, damaging your health and well-being.

When replacing old appliances with new ones, the retailer is legally obligated to take back your old appliance for disposals at least free of charge.