

HEADBOARD

ASSEMBLY INSTRUCTIONS

Before assembling your headboard, please read through these instructions carefully and familiarize yourself with the different parts.

ATTENTION! If you receive a damaged or defective item, please contact afifurnishings at customerservice@afifurnishings.com or 1-800-955-3726



Instructions apply for bed sizes
TWIN > FULL

PARTS LIST

- ① LEFT POST 1 PC
- ② RIGHT POST 1 PC
- ③ TOP RAIL 1 PC
- ④ CENTER RAIL 2 PCS
- ⑤ BOTTOM RAIL 1 PC
- ⑥ SPACER BLOCK 2 PCS
- ⑦ SUPPORT RAIL 1 PC

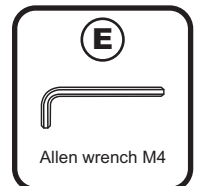
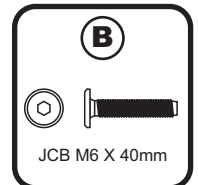
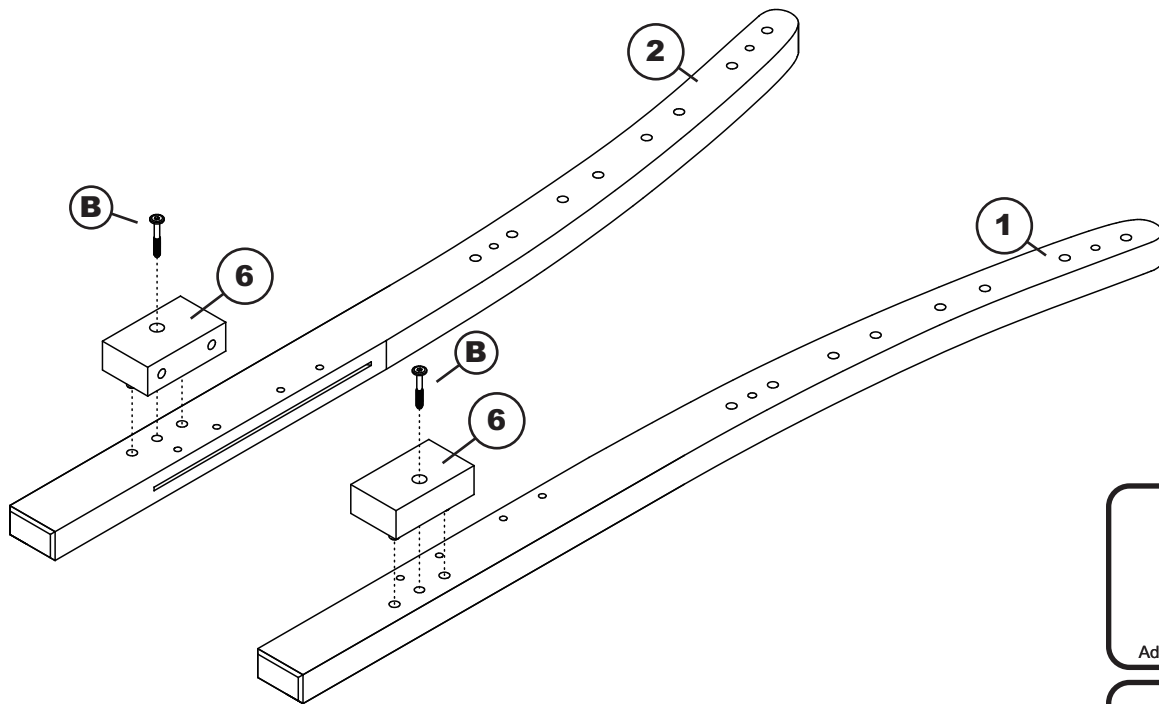
HARDWARE

- Hardware for metal bed frame:
- ① JCB M6 X 25mm (1") - 4 pcs
Spare - 1 pc
 - ② Flat washer - 4 pcs
Spare - 1 pc
 - ③ Split washer - 4 pcs
Spare - 1 pc
 - ④ Wood button - 4 pcs
Spare - 1 pc
 - ⑤ JCB M8 X 40mm (1 1/2") - 4 pcs
Spare - 1 pc
 - ⑥ Allen wrench M4 - 1pc
 - ⑦ Allen wrench M5 - 1pc
 - ⑧ JCB M6 X 40mm (1 1/2") - 2 pcs
Spare - 1 pc
 - ⑨ JCB M6 X 30mm (1 1/4") - 5 pcs
Spare - 1 pc

NOTE: WE INCLUDE SPARE HARDWARE IN CASE DAMAGE OCCURS DURING ASSEMBLY.

Step 1

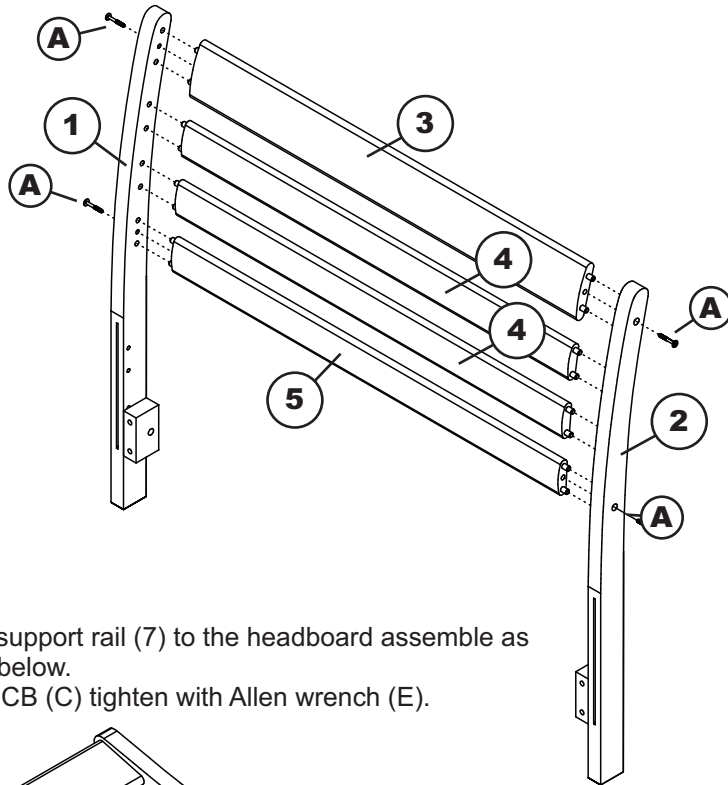
Attach spacer block (6) to left right post (1)(2), using JCB (B). Tighten with the Allen wrench (E).



TWIN > FULL

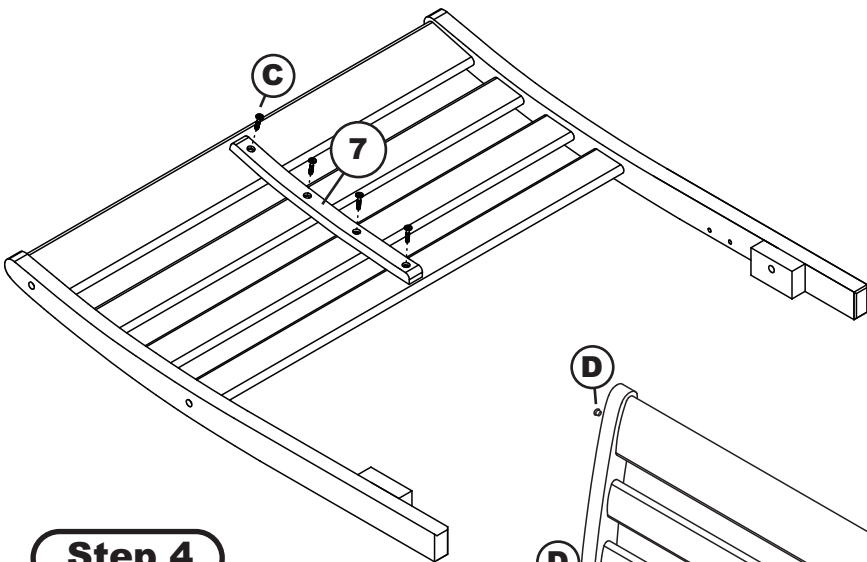
Step 2

Attach top rail (3) center rails (4) and bottom rail (5) to the left right post (1)(2) as shown below. Using JCB (A) tighten with Allen wrench (F).



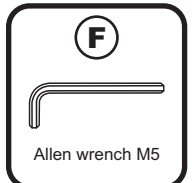
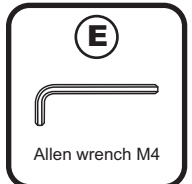
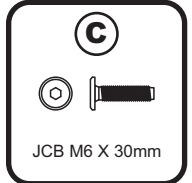
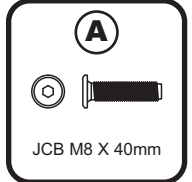
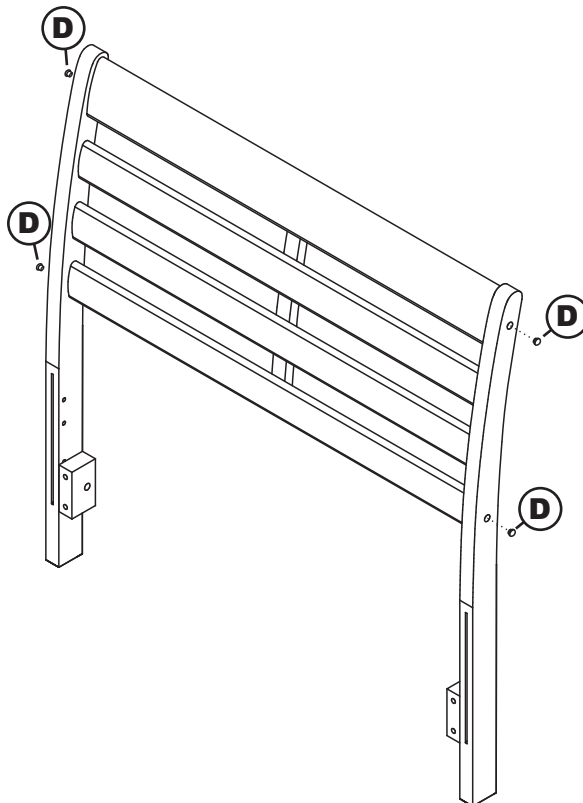
Step 3

Attach support rail (7) to the headboard assemble as shown below. Using JCB (C) tighten with Allen wrench (E).



Step 4

Lastly, cover holes with wood button (D).



If you purchased a wood headboard to attach to metal bed frame, please refer to page 3.

ATTACHING HEADBOARD TO METAL BED FRAME

ASSEMBLY INSTRUCTIONS

Before assembling your bed, please read through these instructions carefully and familiarize yourself with the different parts.

Instructions apply for bed sizes
TWIN > FULL > QUEEN > KING

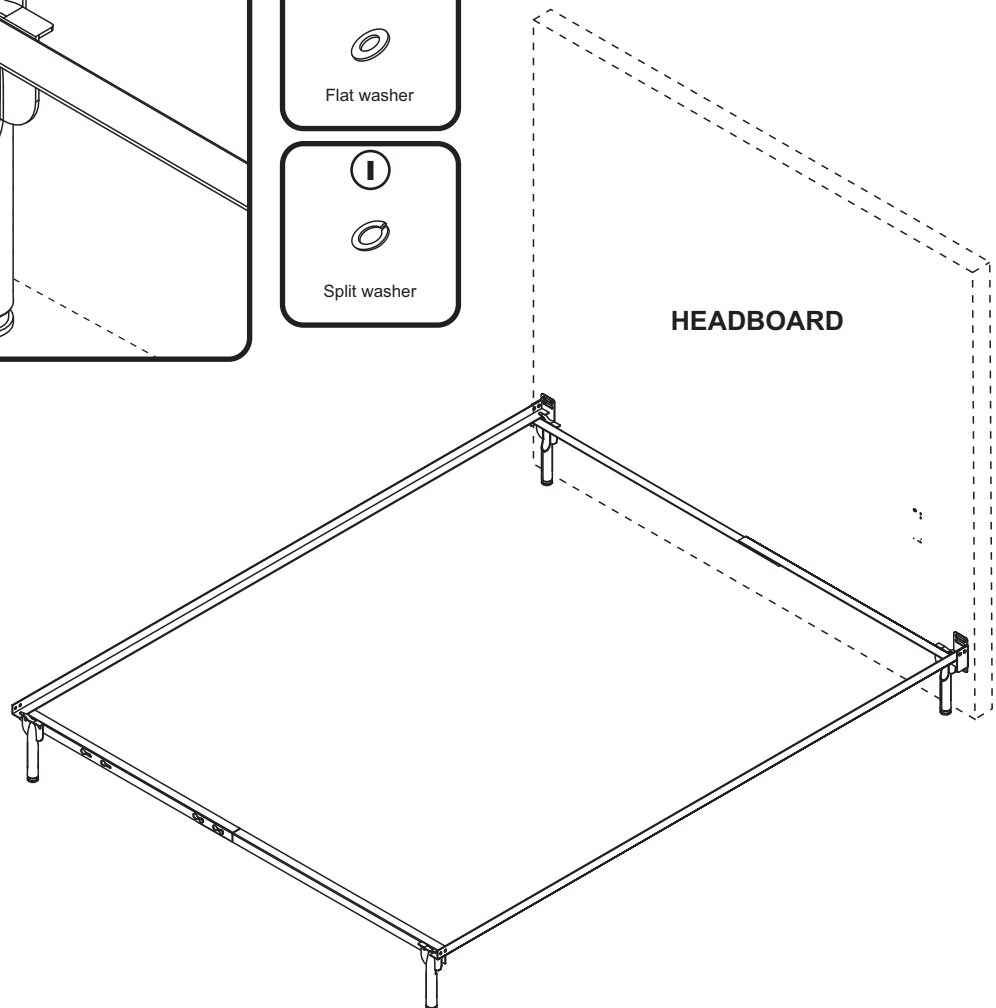
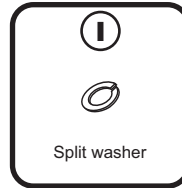
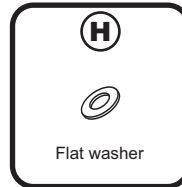
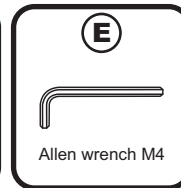
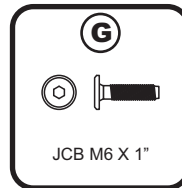
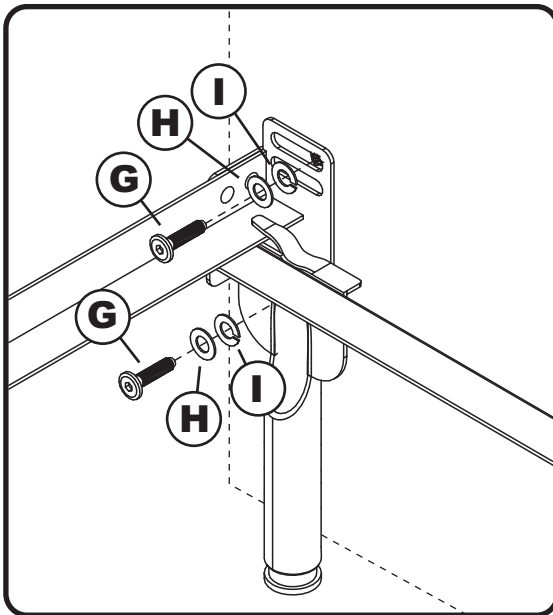


Adult assembly

Metal bed frames are sold separately from wood headboards. The hardware shown on this page is supplied with your wood headboard for attaching the bed frame to the headboard. The metal bed frame is supplied with its own assembly instructions and hardware.

Step 1

Attach the headboard assembly to the metal frame using JCB (G), flat washer (H), and split washer (I) then tighten with Allen wrench (E), as shown below.



Congratulations!

Your bed is now ready for use.

To ensure lasting safety, we recommend that you periodically check that all screws are tight and all parts are secure.