
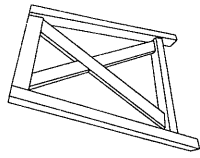
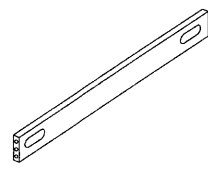
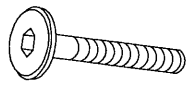
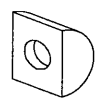
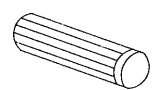
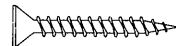
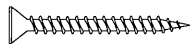

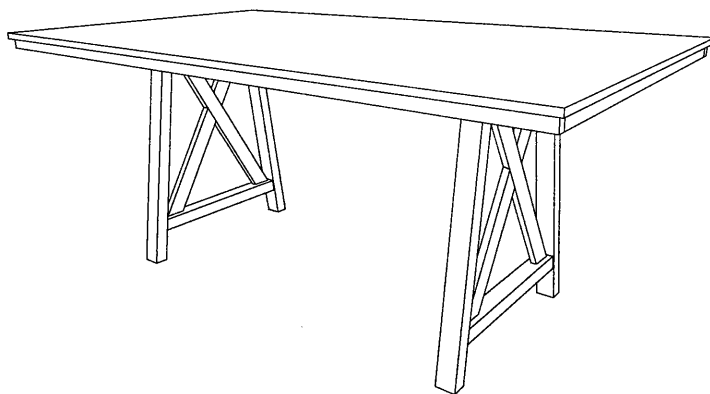


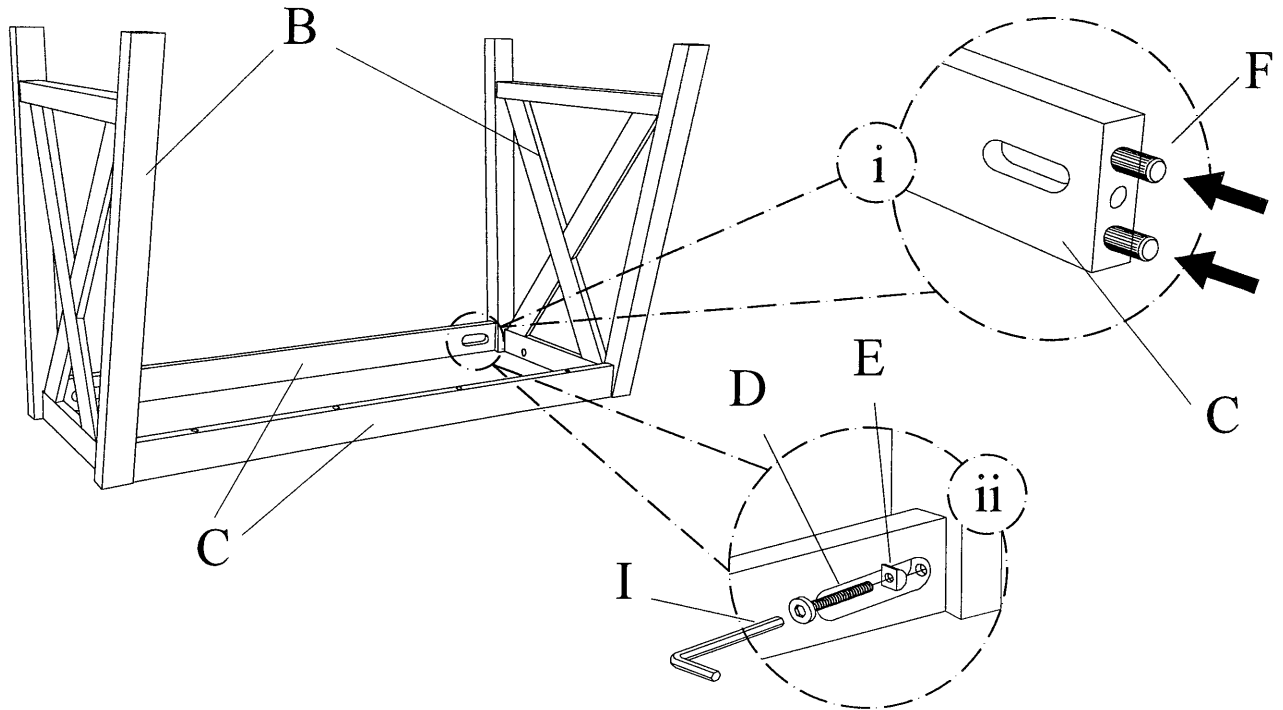
ASSEMBLY INSTRUCTION
RECTANGULAR DINING TABLE

<p>A TABLE TOP</p>  <p>1 PC</p>	<p>B LEG</p>  <p>2 PCS</p>	<p>C TRESTLE BAR</p>  <p>2 PCS</p>	<p>D JCBC BOLT M6 x 50MM</p>  <p>4 PCS</p>
<p>E NYLON WASHER M6</p>  <p>4 PCS</p>	<p>F DOWEL M8 x 30MM</p>  <p>8 PCS</p>	<p>G CSK-CB SCREW M4 x 25MM</p>  <p>4 PCS</p>	<p>H CSK-CB SCREW M4 x 38MM</p>  <p>8 PCS</p>
<p>I ALLEN WRENCH M4 x 100MM</p>  <p>1 PC</p>			

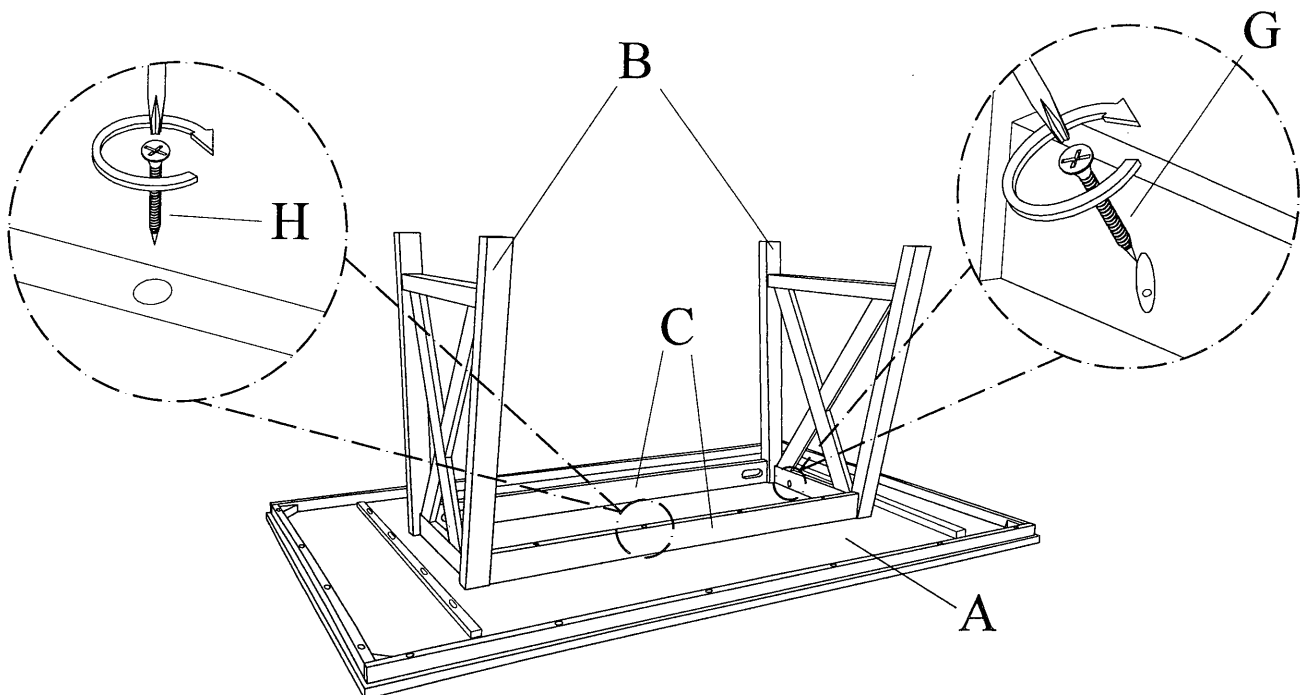


This page lists all the contents included in the box. Please take the time to identify the hardware as well as the individual components to this product. As you unpack and prepare for assembly, place the contents on a carpeted or padded area to protect them from damage.

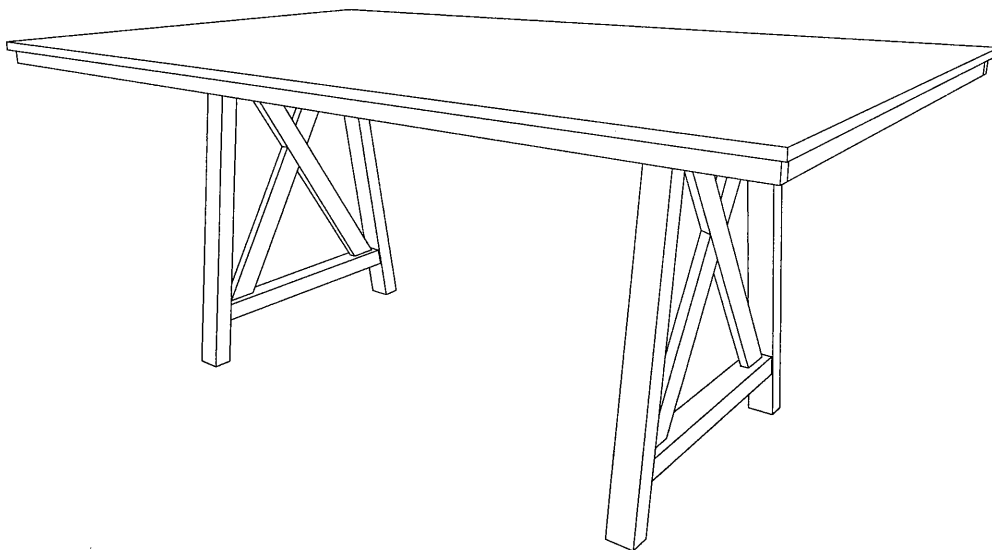
- 1** i) Insert Dowel (F) to both end of Trestle Bar (C).
ii) Flip table leg over. Align and fasten Trestle Bar (C) to Leg (B) using JCBC Bolt (D) and Nylon Washer (E) and tighten with Allen Wrench (I).



- 2** Place Table Top (A) upside down on soft surface. Align and fasten Leg (B) and Trestle Bar (C) to Table Top (A) using CSK-CB Screw (G) for Leg (B) and CSK-CB Screw (H) for Trestle Bar (C) and fully tighten with Screwdriver (not included).



3 Stand table up on an even surface and check that it is balanced.



Cleaning & Care

Treat surface with care. Surface is resistant to scratches but is not scratch resistant. Clean surface with a dry or damp soft cloth. Do not use abrasive cleaners. Hardware may loosen over time. Periodically check that all connections are tight.