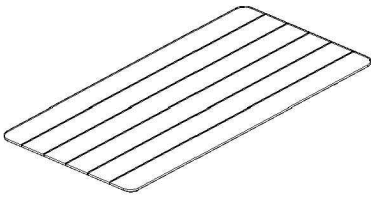
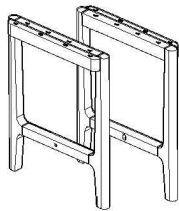
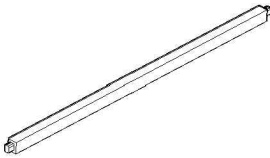



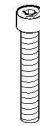



Assembly Instructions

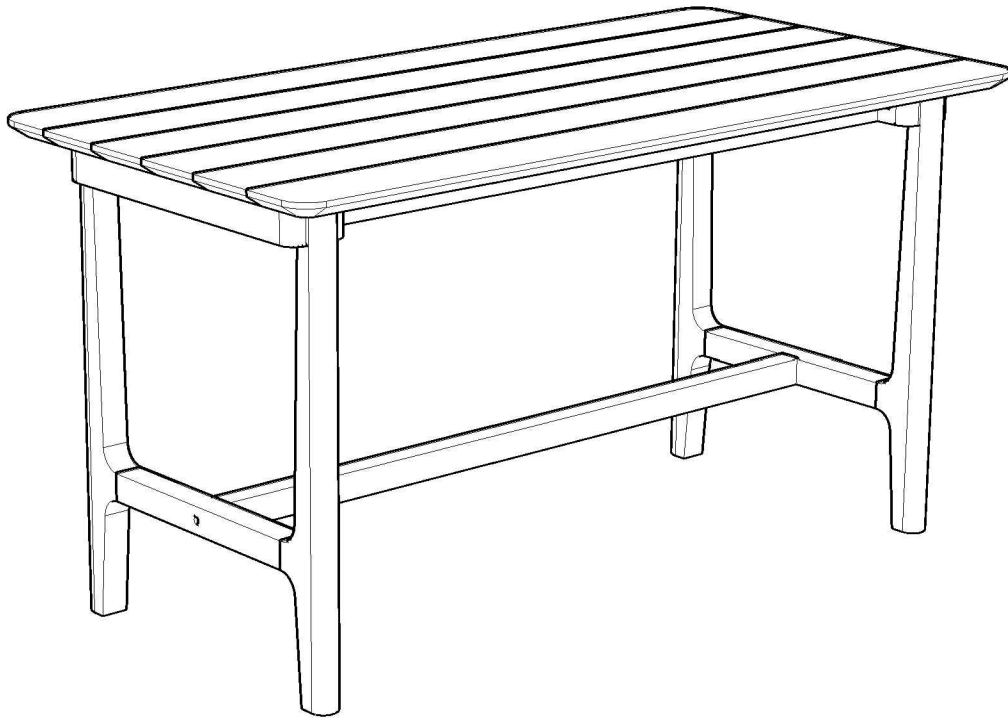
ELISA COUNTER TABLE 170

51005870 & 51005871

Parts and Tools

A	51005870-A 51005871-A		x 1	<p>Before beginning</p> <ol style="list-style-type: none"> 1) Carefully unpack and position the item on a clean, non-marring surface to assemble. 2) Read this Assembly Instructions from beginning to end before starting to assemble. 3) Take an inventory of required parts to ensure all are available. 4) To prevent accidental choking hazards, keep all packing materials away from small children. 5) Only tighten hardware until all hardware are fully engaged on their locations. Overtighten bolts will damage the bolt threads. 6) Use only factory provided hardware to assemble. Unapproved hardware can damage product or jeopardize the structural integrity of the product. 7) The use of power tool to assemble is not recommended due to high risk of over-torque, which can damage the product.
B	51005870-B 51005871-B		x 2	
C	51005870-C 51005871-C		x 1	

Z	51005870-Z 51005871-Z	<p>Z1</p>  6 mm x 1	<p>Z2</p>  M8 x 60 mm x 16	<p>Z3</p>  M12 x 16	<p>Z4</p>  M8 x 16	<p>Z5</p>  Wood Plug x 2
----------	--------------------------	--	--	--	---	---



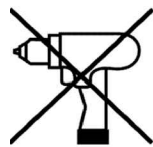
ASSEMBLY REQUIRES
TWO PEOPLE



15 MINUTE
ASSEMBLY TIME

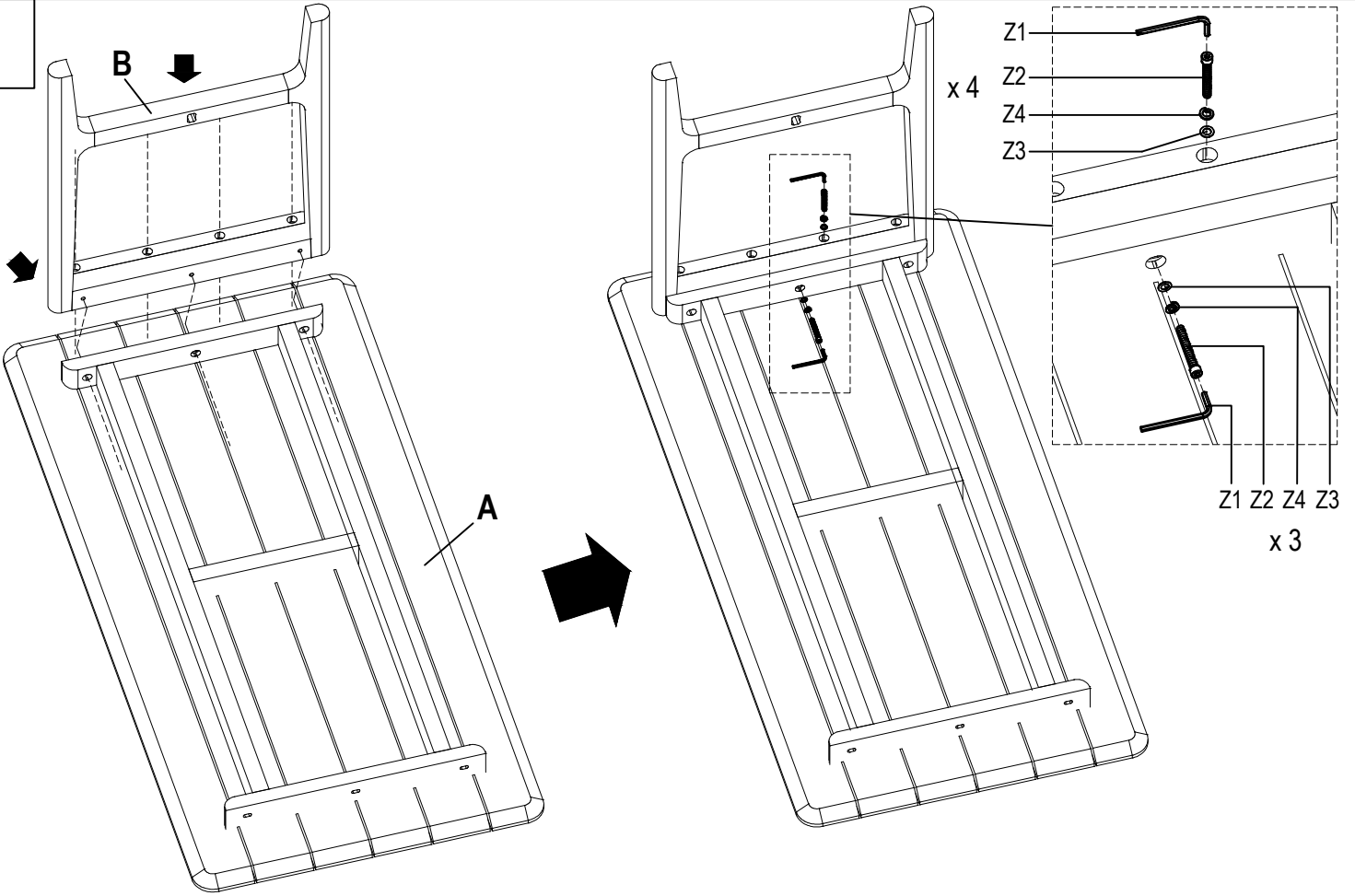


KEEP INSTRUCTIONS
FOR FUTURE USE

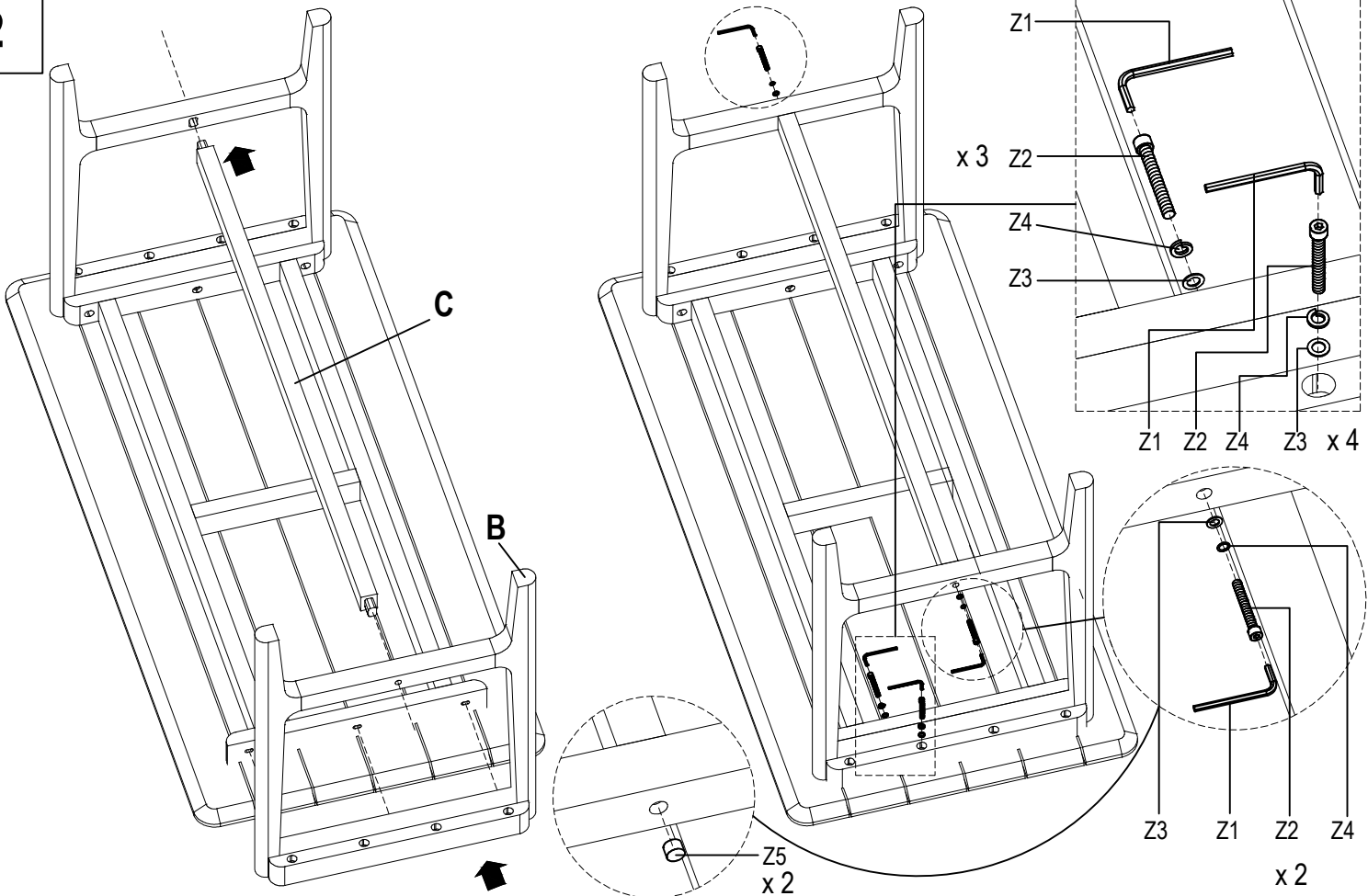


Assembly Instructions
ELISA COUNTER TABLE 170
 51005870 & 51005871

1



2



Assembly Instructions
ELISA COUNTER TABLE 170
51005870 & 51005871

3

