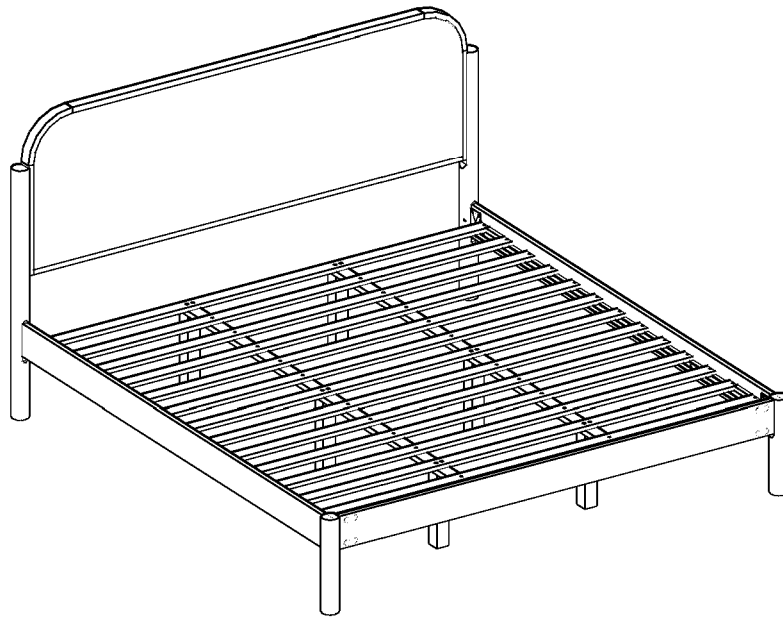





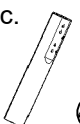



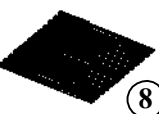







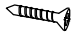
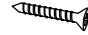


ASSEMBLY INSTRUCTIONS



COMPONENT

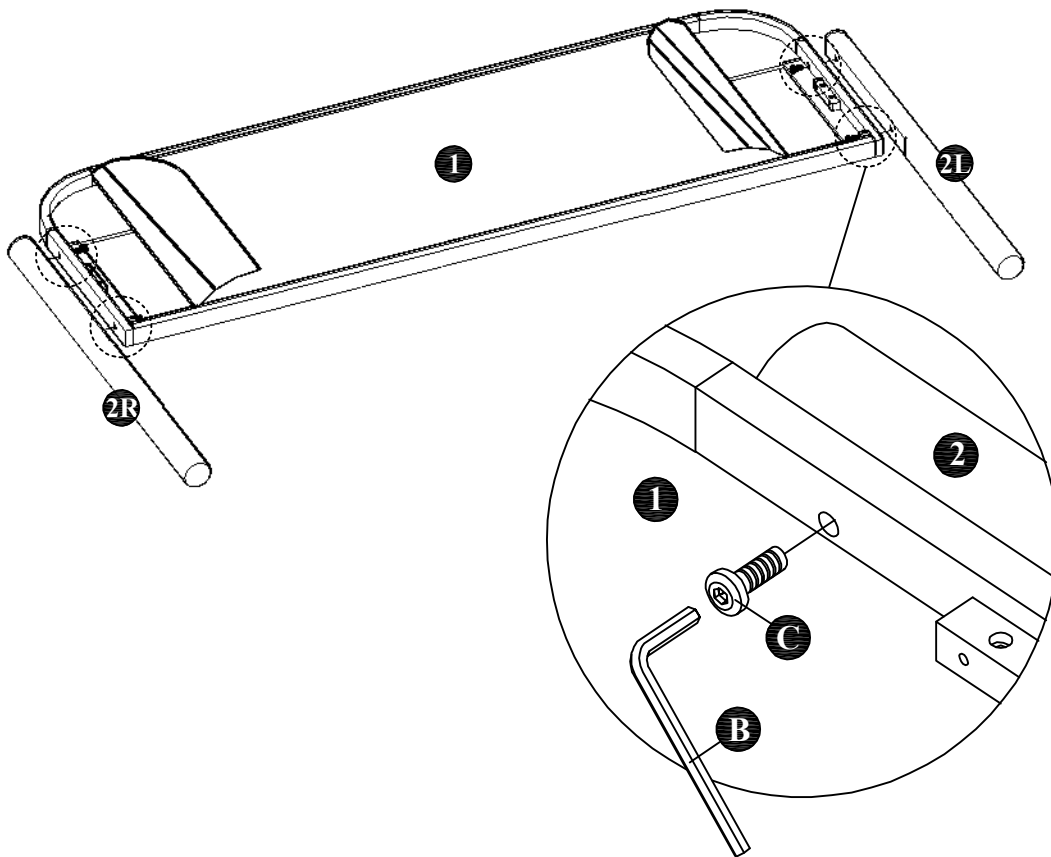
Headboard - 1 pc.  ①	Headboard Leg (Left) - 1 pc.  ②L	Headboard Leg (Right) - 1 pc.  ②R	Footboard - 1 pc.  ③	Footboard Leg (Left) - 1 pc.  ④L	Footboard Leg (Right) - 1 pc.  ④R	Side Rail - 2 pcs.  ⑤	Center Rail - 2 pcs.  ⑥
Center Leg - 6 pcs.  ⑦	Slats - 13 pcs.(1set)  ⑧						

HARDWARE

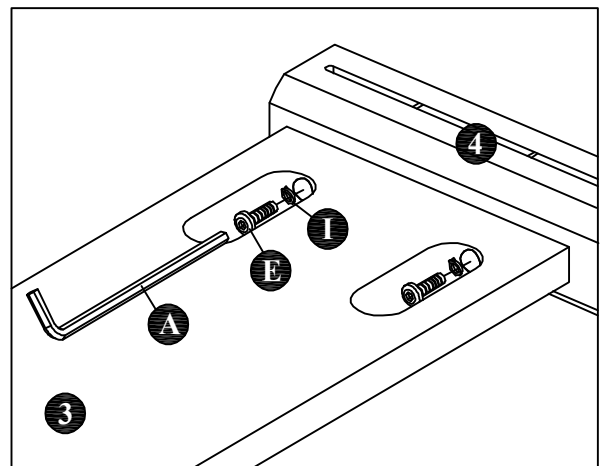
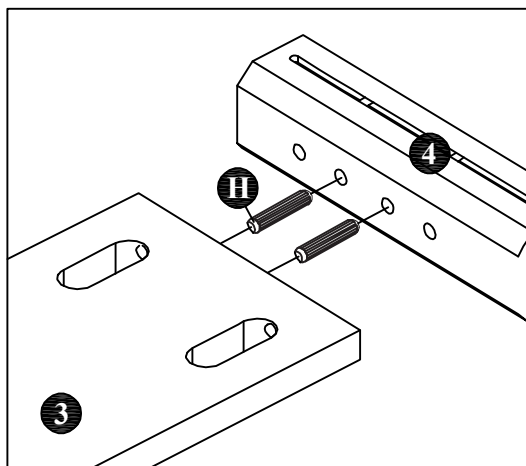
Allen Key M4 (Long Ball Head) - 1 pc.  A	Allen Key M5 - 1 pc.  B	JCBB Bolt M8 x 40mm - 4 pcs.  C	JCBC Bolt M6 x 50mm - 12 pcs.  D	JCBC Bolt M6 x 40mm - 4 pcs.  E	Wood Screw M3.5 x 16mm - 2 pcs.  F	Wood Screw M4 x 25mm - 46 pcs.  G	Wood Dowel M8 x 30mm - 4 pcs.  H
M6 Spring Washer - 4 pcs.  I							

ASSEMBLY INSTRUCTIONS

STEP 1 :



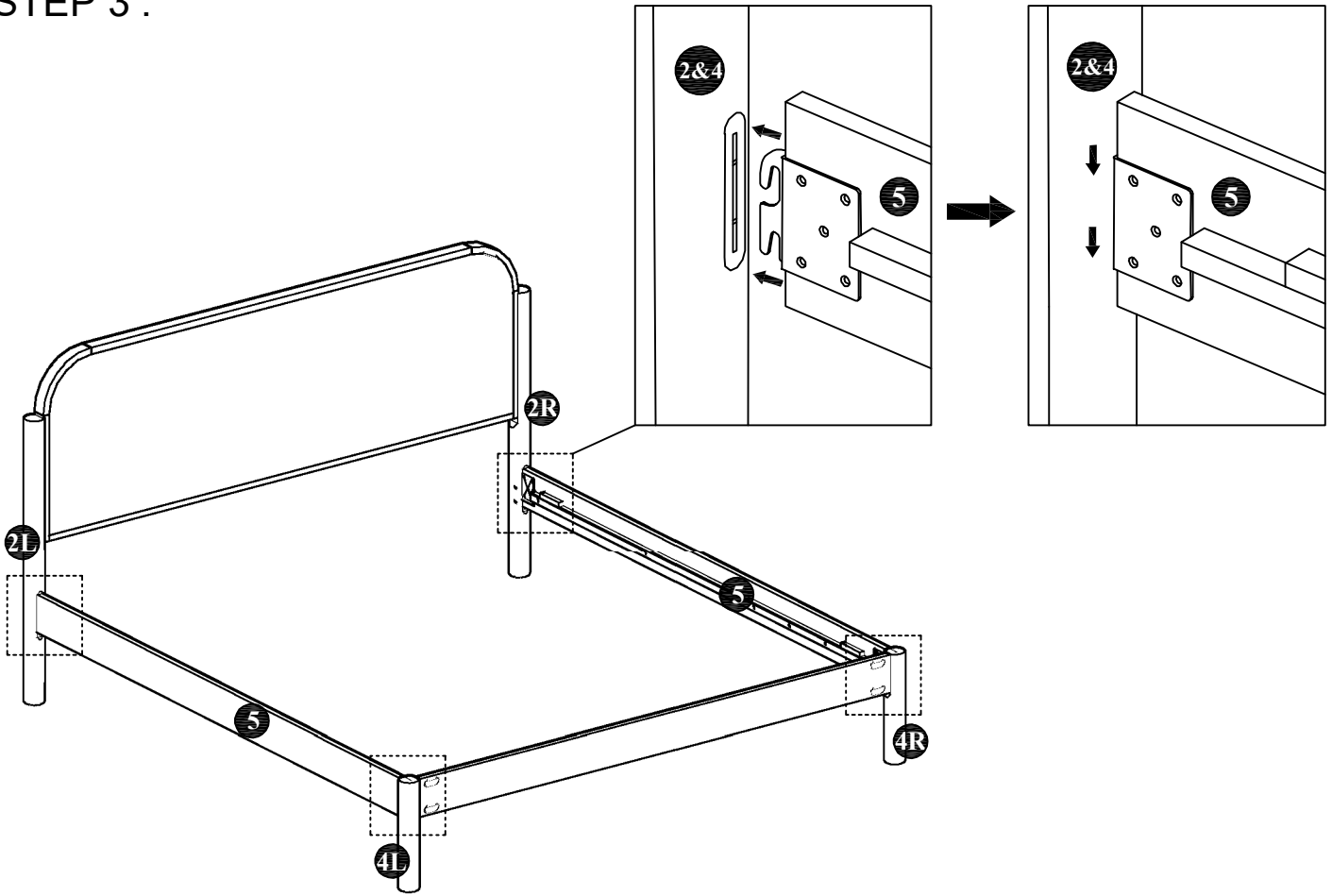
STEP 2 :



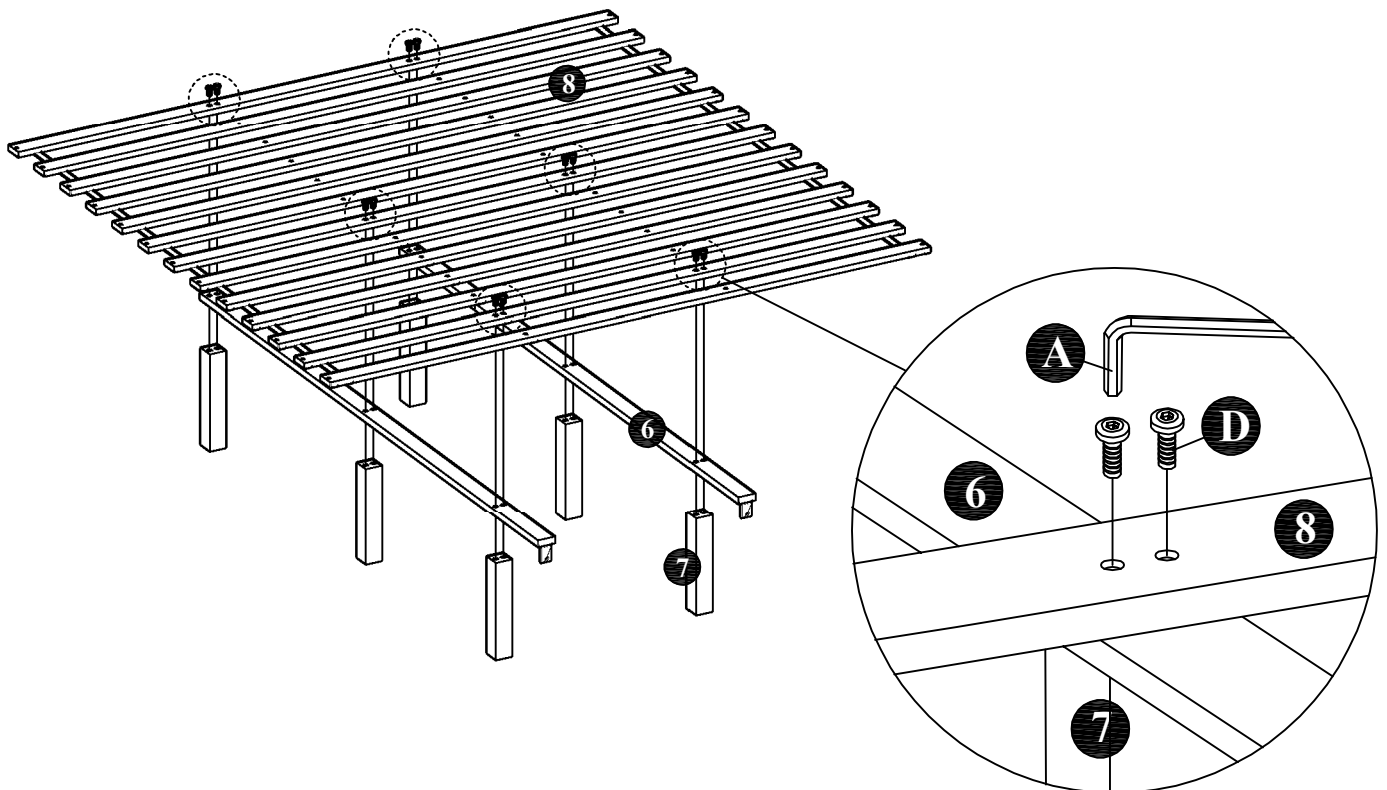
↑ Arrows sticker points upward

ASSEMBLY INSTRUCTIONS

STEP 3 :

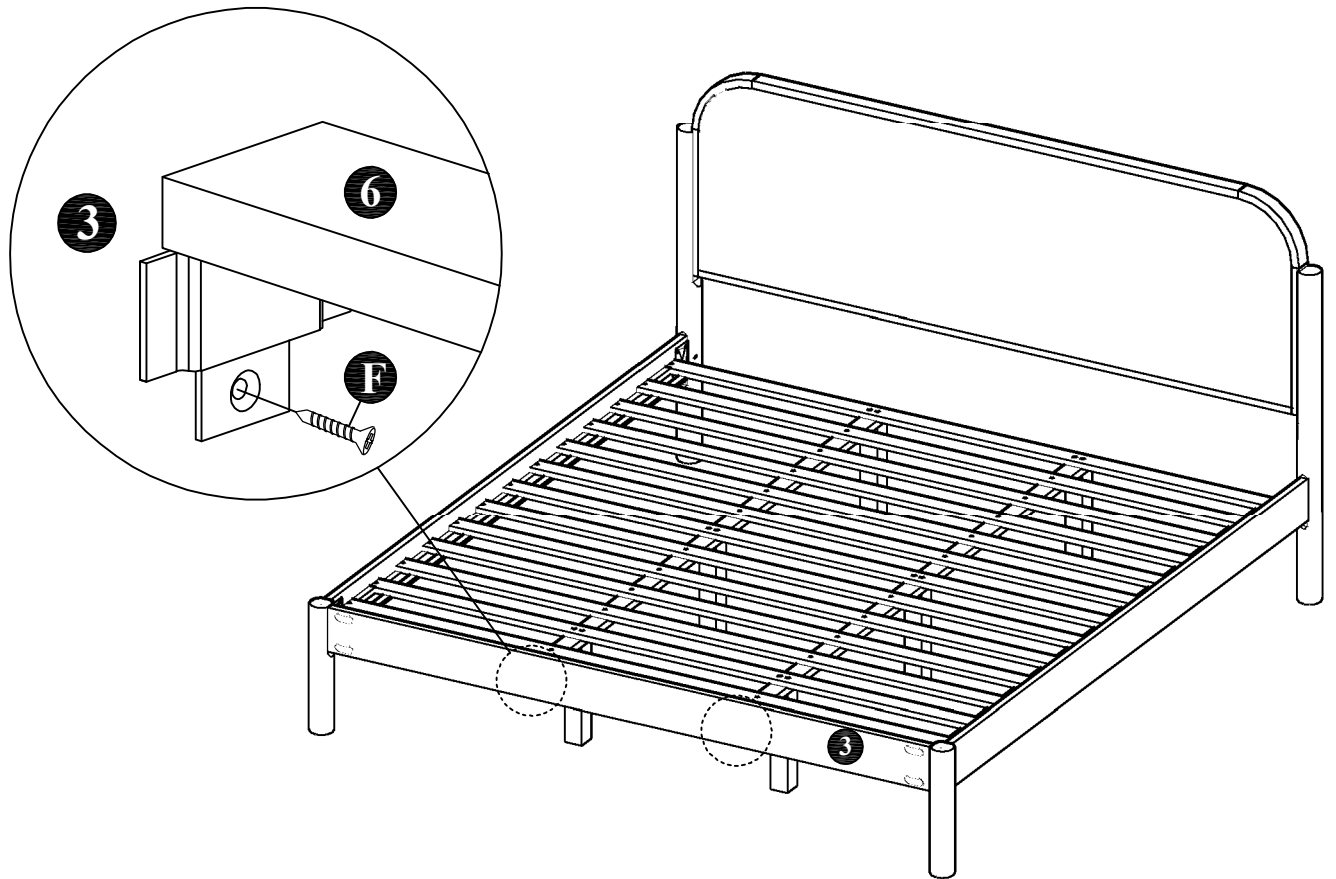


STEP 4 :

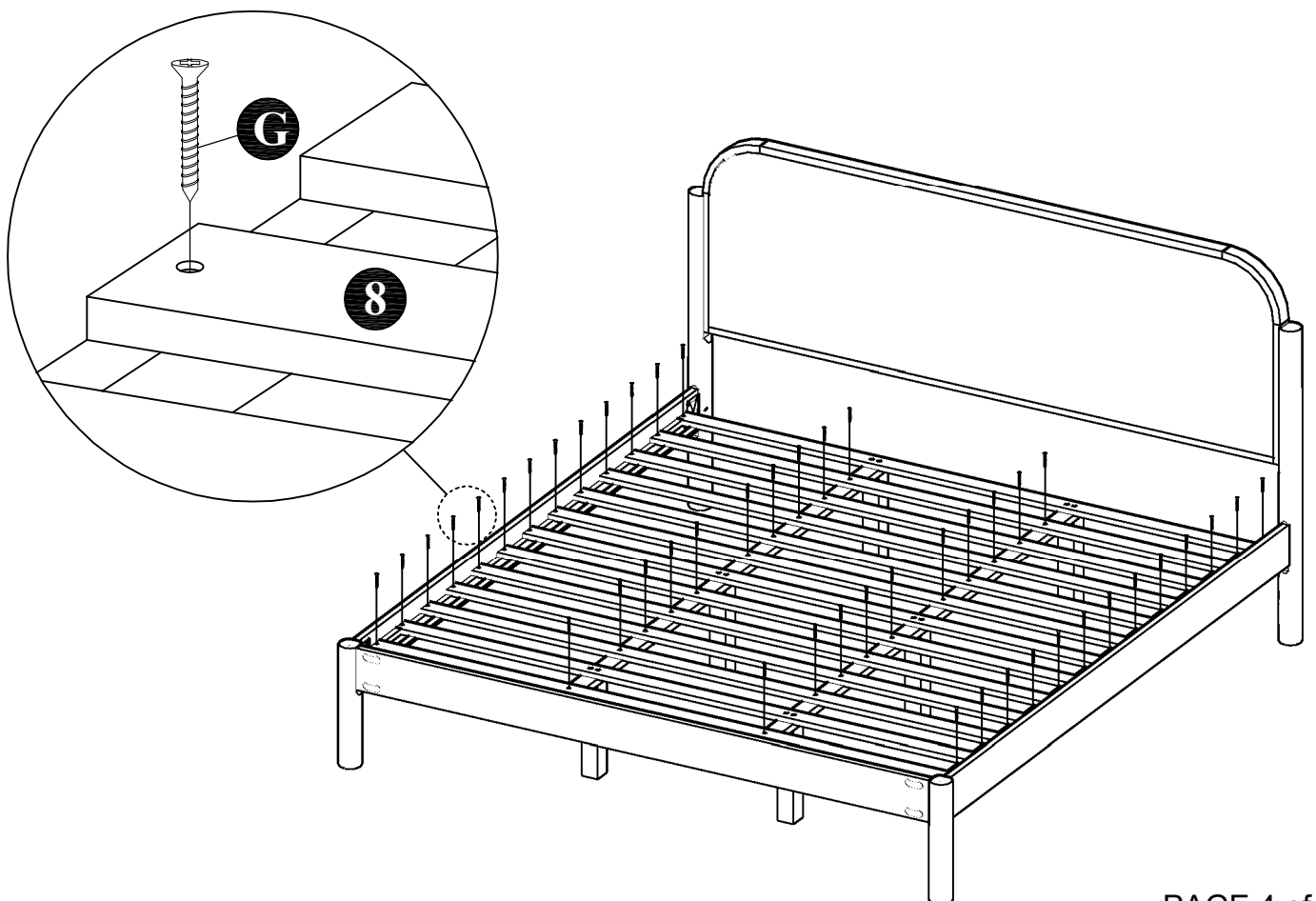


ASSEMBLY INSTRUCTIONS

STEP 5 :



STEP 6 :



ASSEMBLY INSTRUCTIONS

COMPLETE VIEW

IMPORTANT

Please lift up the bed to move
with 2 or more people.

DO NOT DRAG THE BED!

