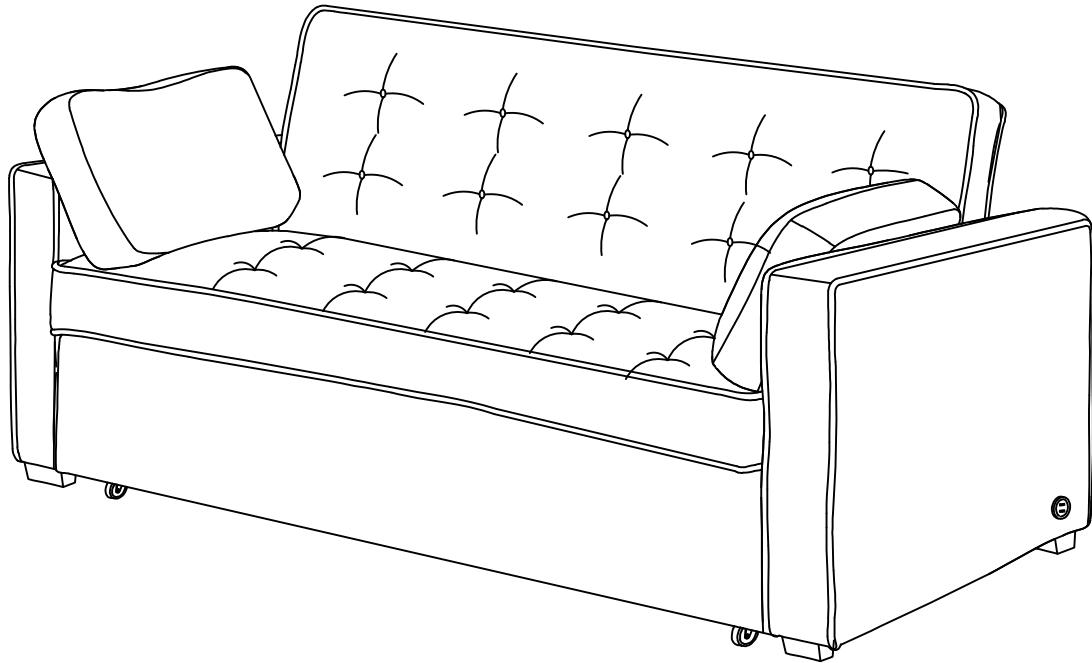



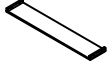













ASSEMBLY INSTRUCTION



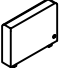
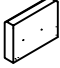
COMPONENT LIST

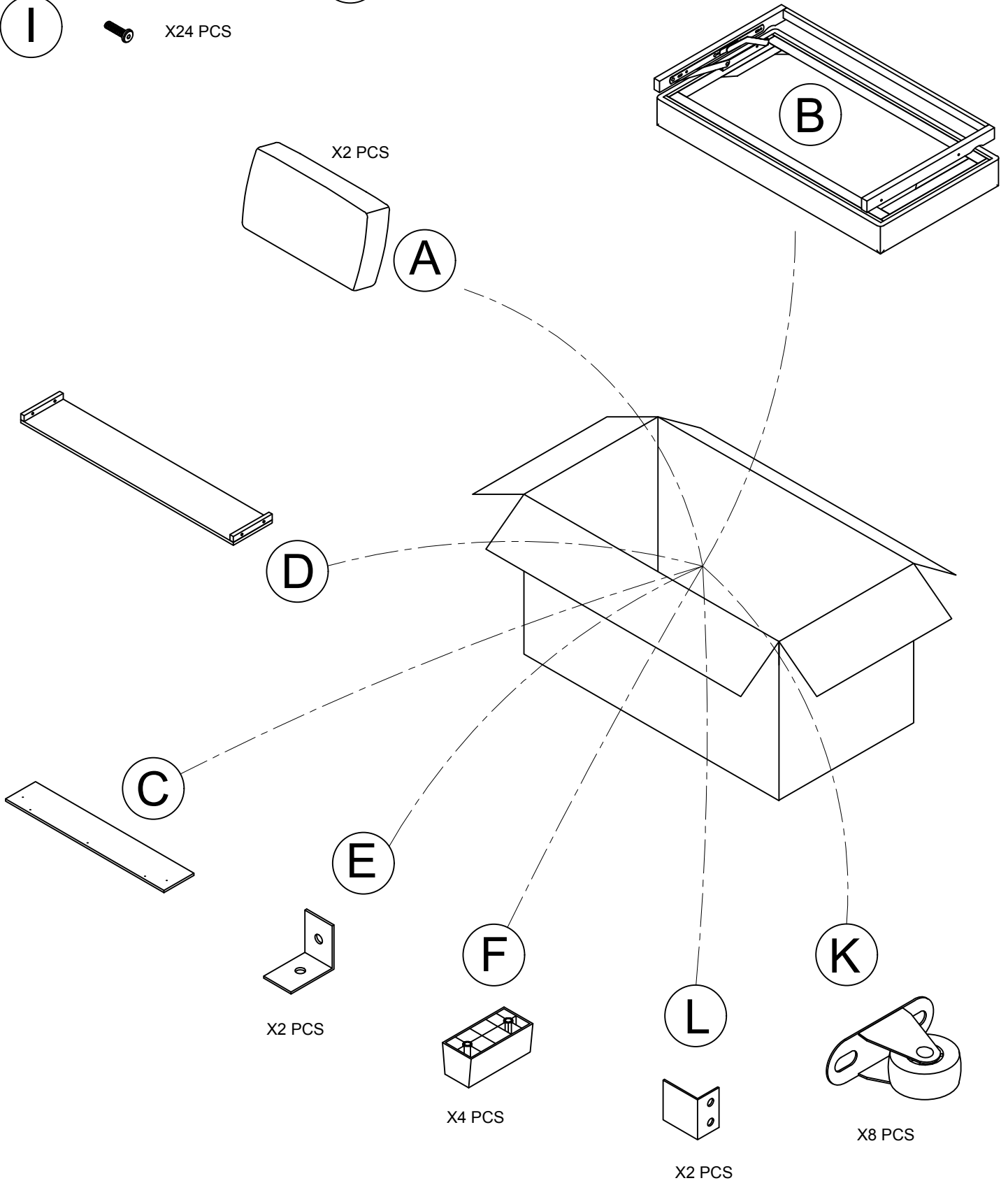
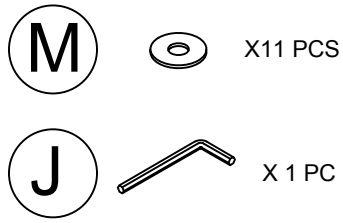
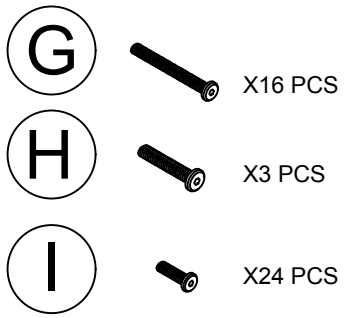
NO.	DRAWING	QTY	DESCRIPTION
A		2	Pillows
B		1	Loveseat Body
C		1	Drawer Panel
D		1	Back Panel
E		2	L Pads
F		4	Square Leg
G		16	Bolt 5/16"X50mm
H		3	Bolt 5/16"X35mm
I		24	Bolt 1/4"X20mm
J		1	Allen Key
K		8	Wheels
L		2	L Pads
M		11	Flat washer Ø6

COMPONENT LIST

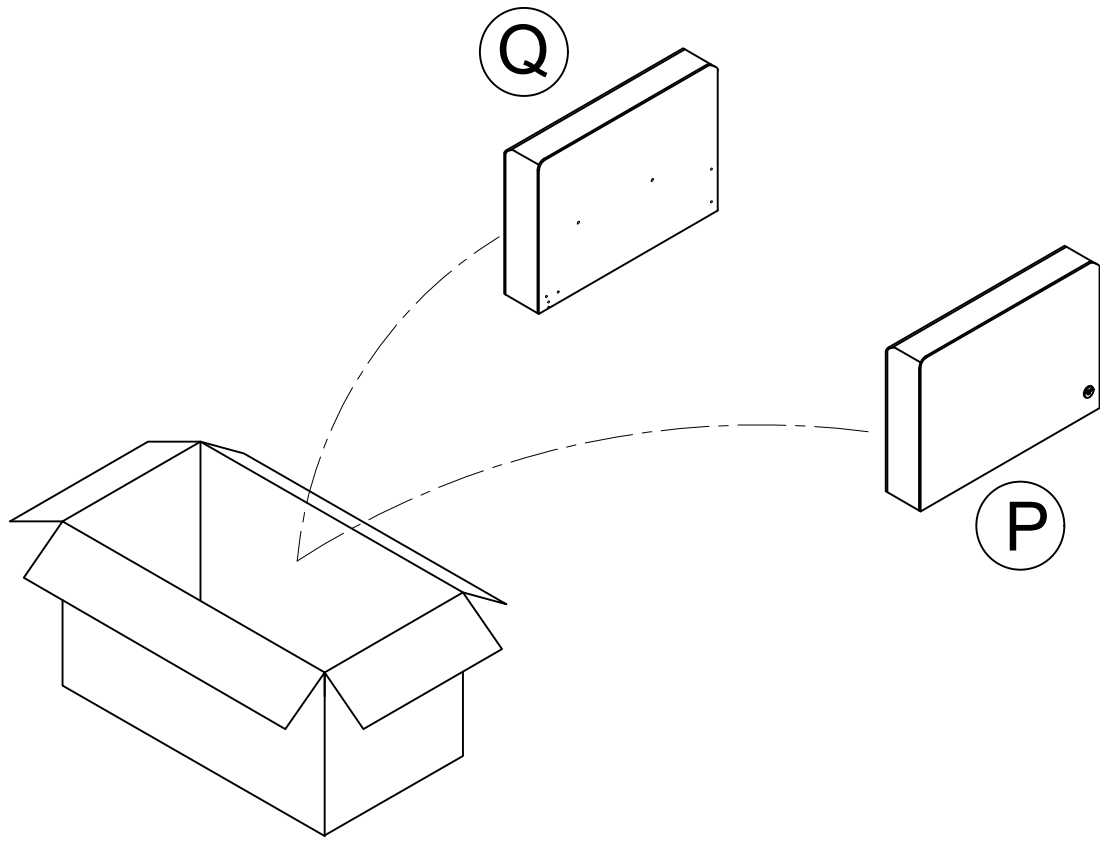
N		1	Back Cushion
O		1	Long Seat Cushion

COMPONENT LIST

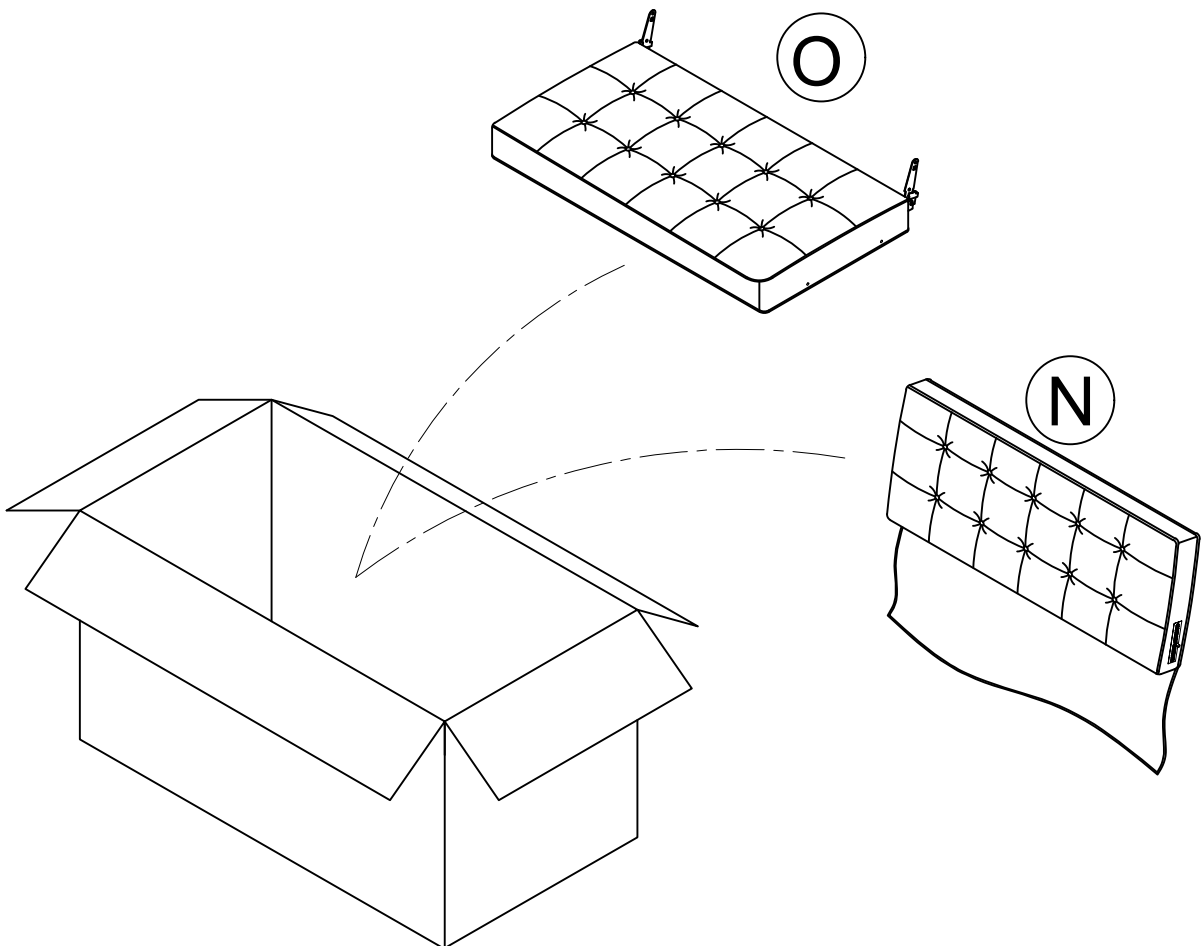
NO.	DRAWING	QTY	DESCRIPTION
P		1	Right Armrest
Q		1	Left Armrest



*** Take out the **A, B, C, D, E, F, K, L, G, H, I, J, M****

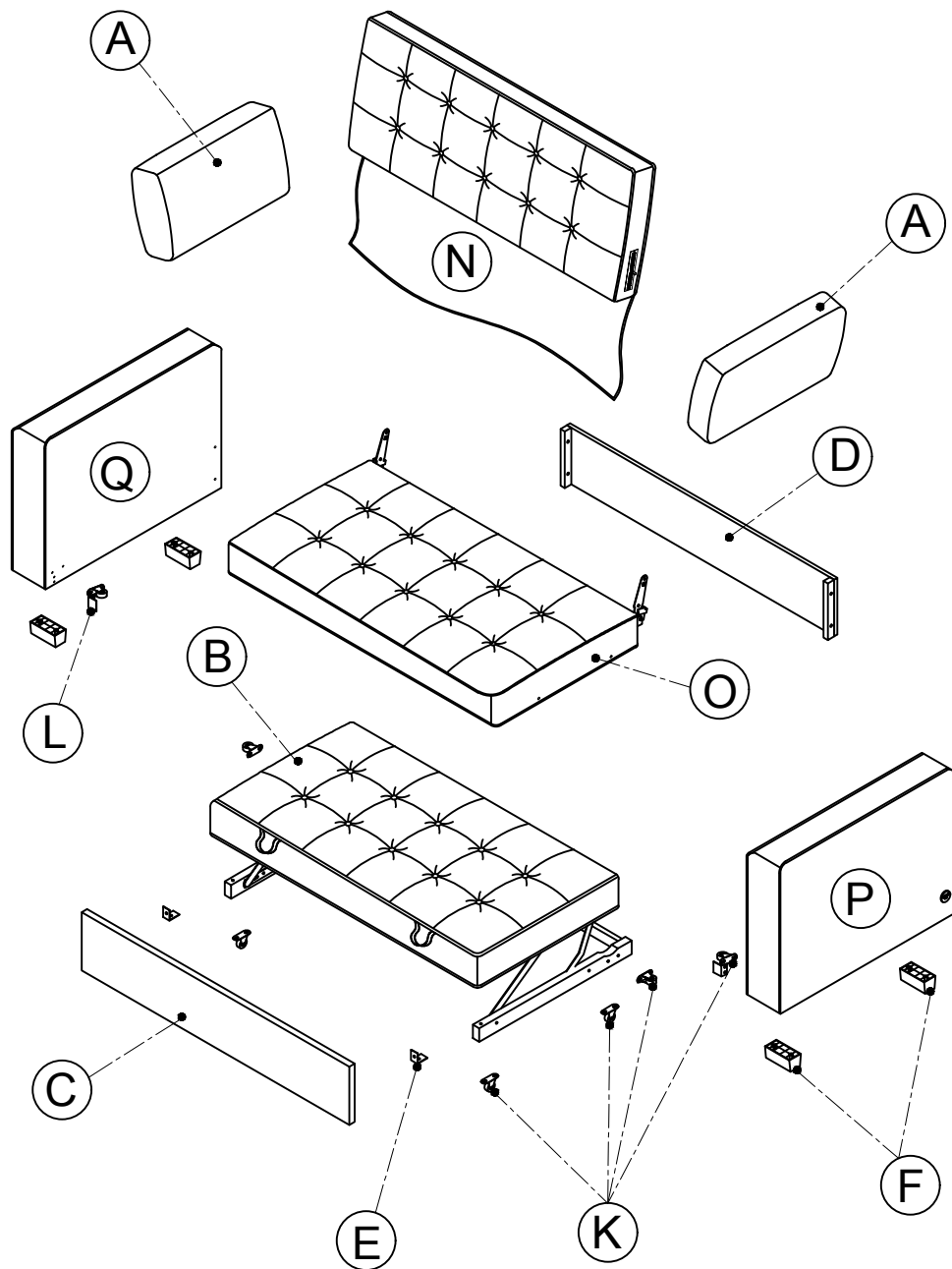


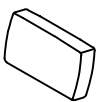
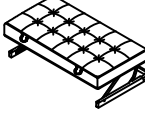
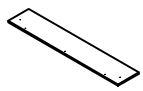
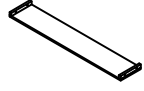

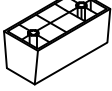





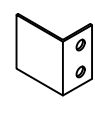

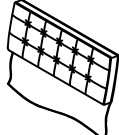
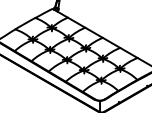
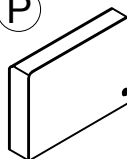
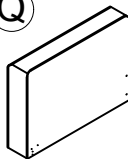
* Take out the **Q**, **P**



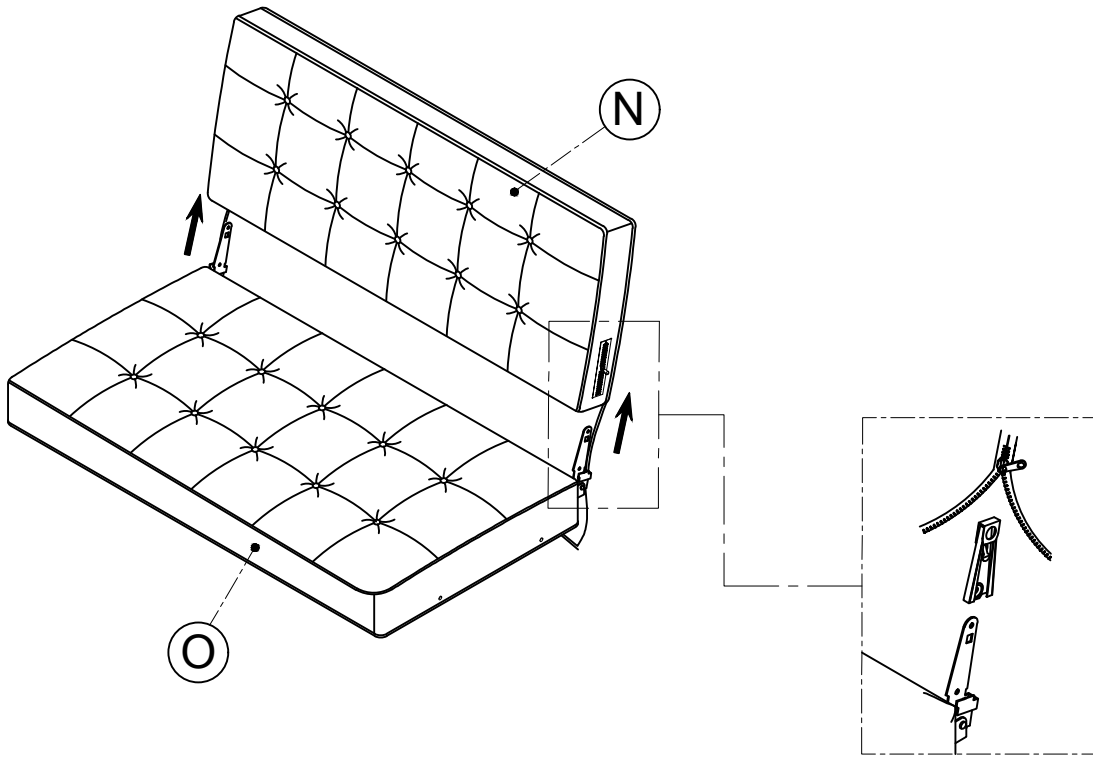
* Take out the **O**, **N**

PARTS LIST

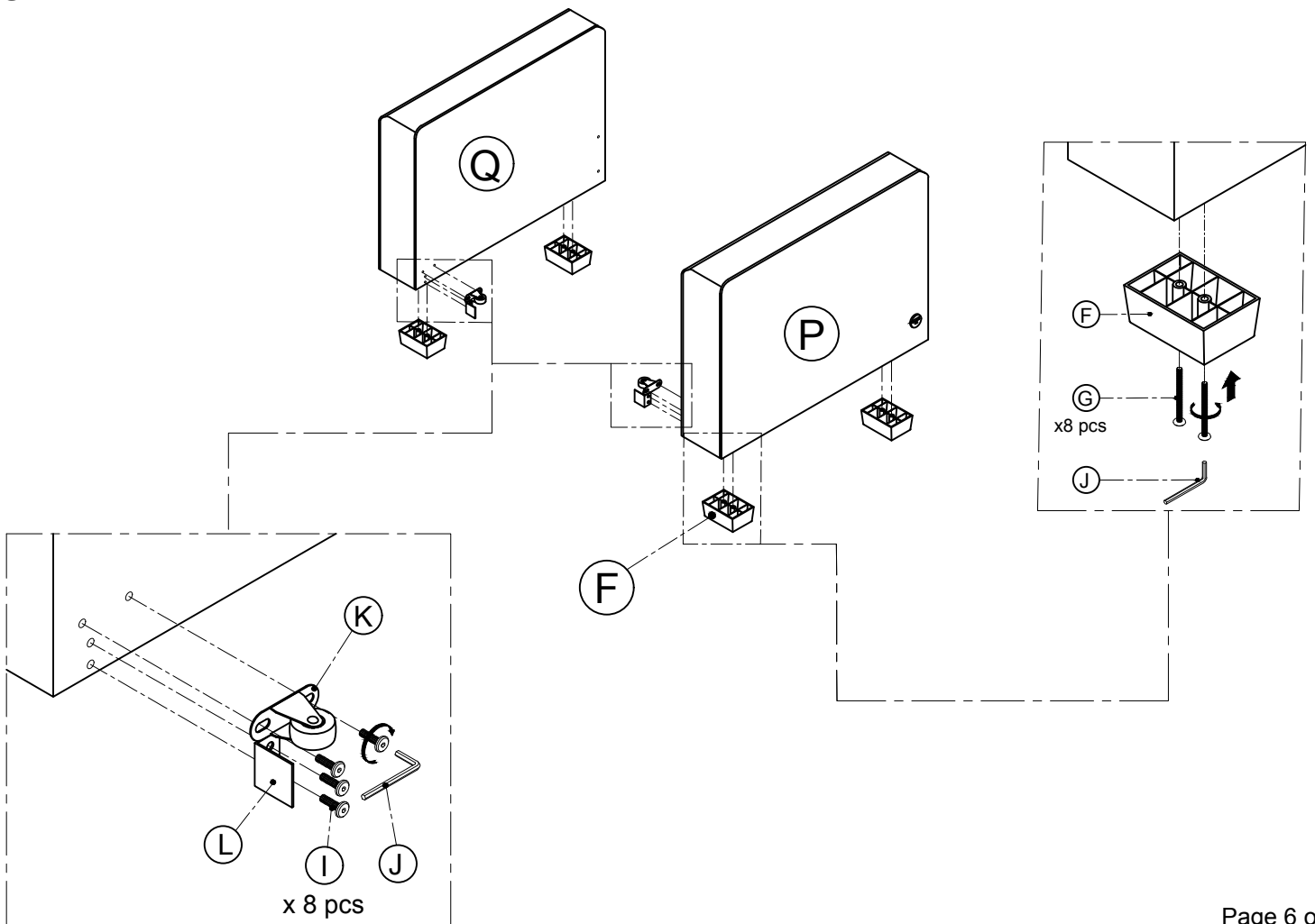


								
Pillows x 2 pcs	Loveseat Body x 1 pc	Drawer Panel x 1 pc	Back Panel x 1 pc	L Pads x 2 pcs	Square Leg x 4 pcs	Bolt 5/16\" data-bbox="675 845 775 875"> Bolt 5/16\" data-bbox="775 845 885 875"> Bolt 1/4\" data-bbox="885 845 990 875">		
								
Allen Key x 1 pc	Wheels x 8 pcs	L Pads x 2 pcs	Flat washer Ø6 x 11 pcs	Back Cushion x 1 pc	Long Seat Cushion x 1 pc	Right Armrest x 1 pc	Left Armrest x 1 pc	Page 5 of 10

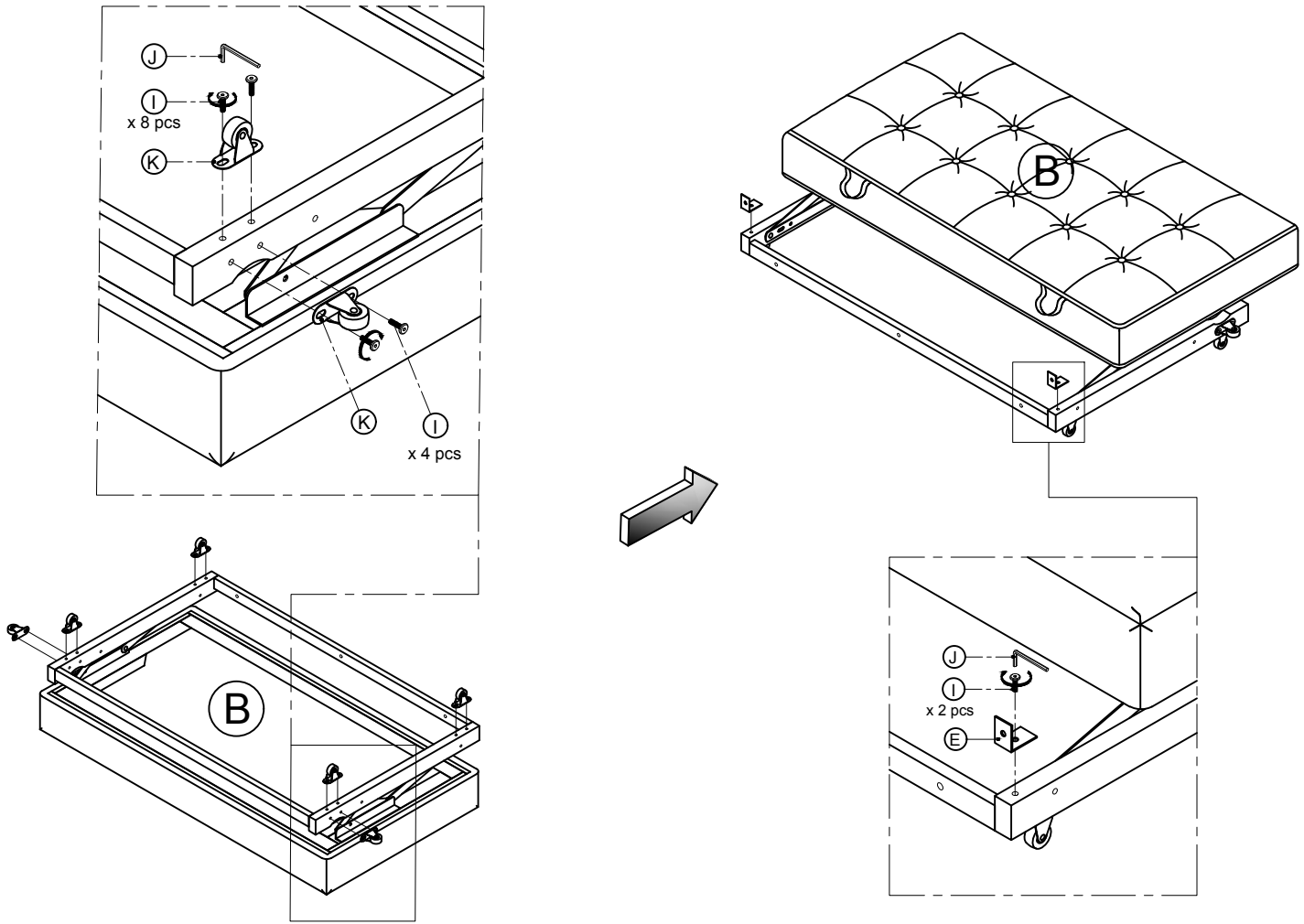
STEP 1:



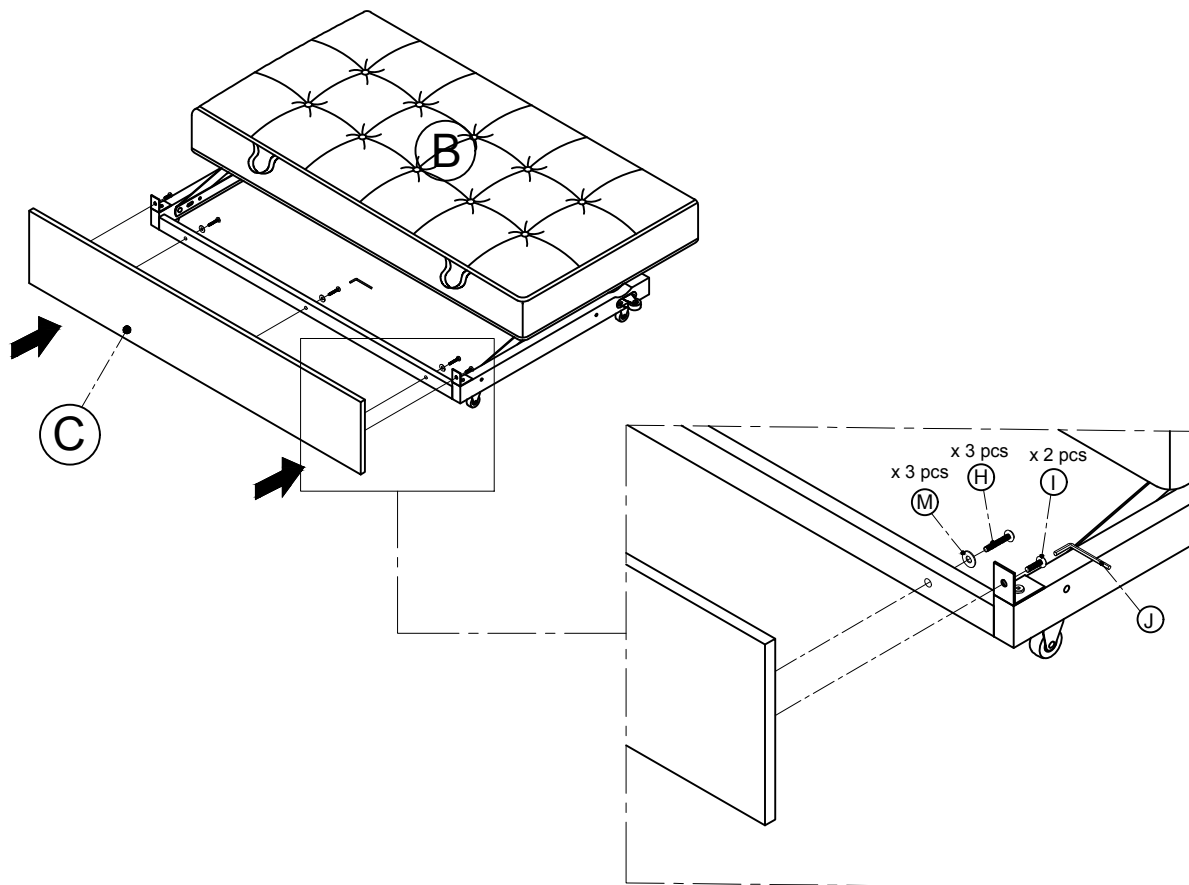
STEP 2:



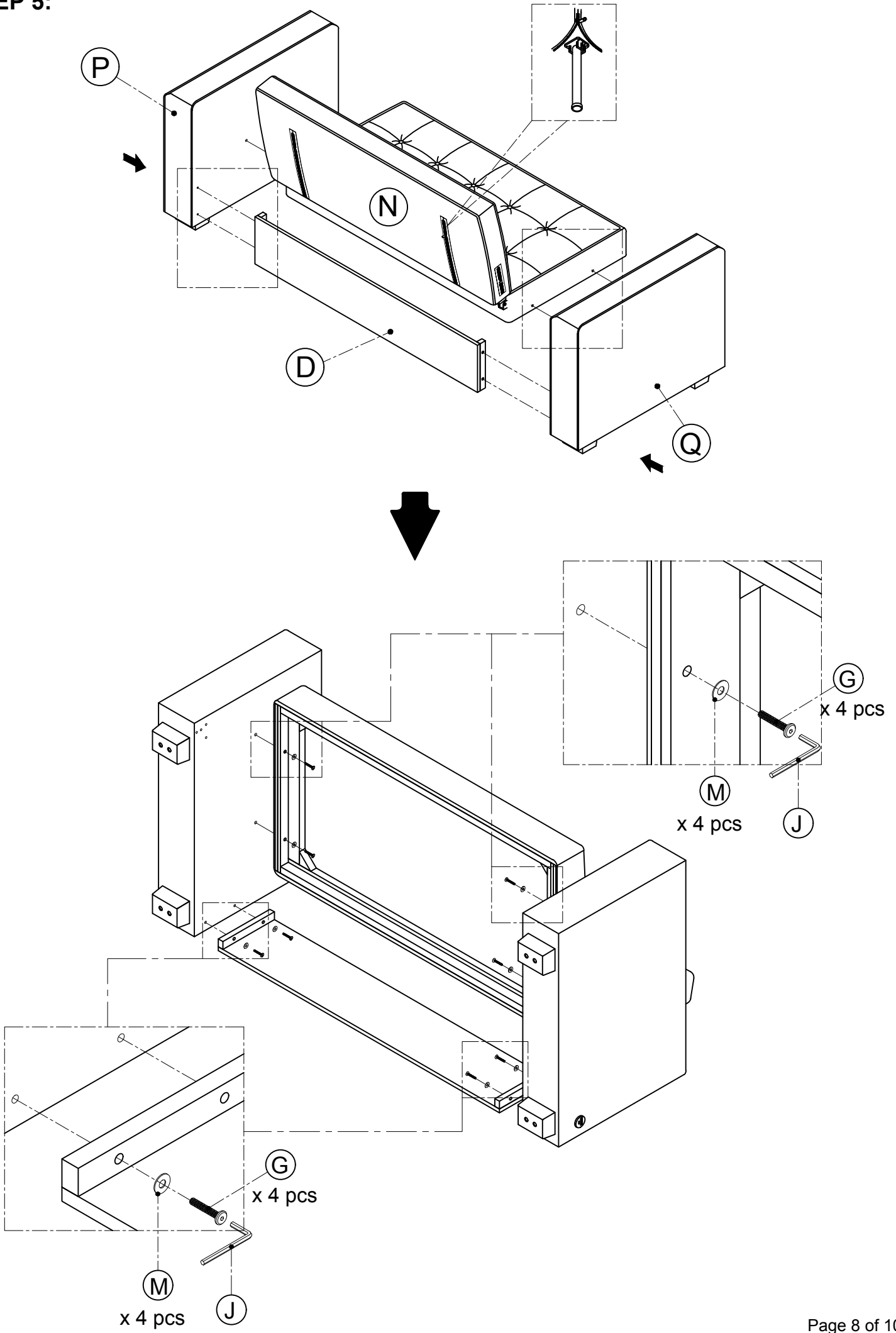
STEP 3:



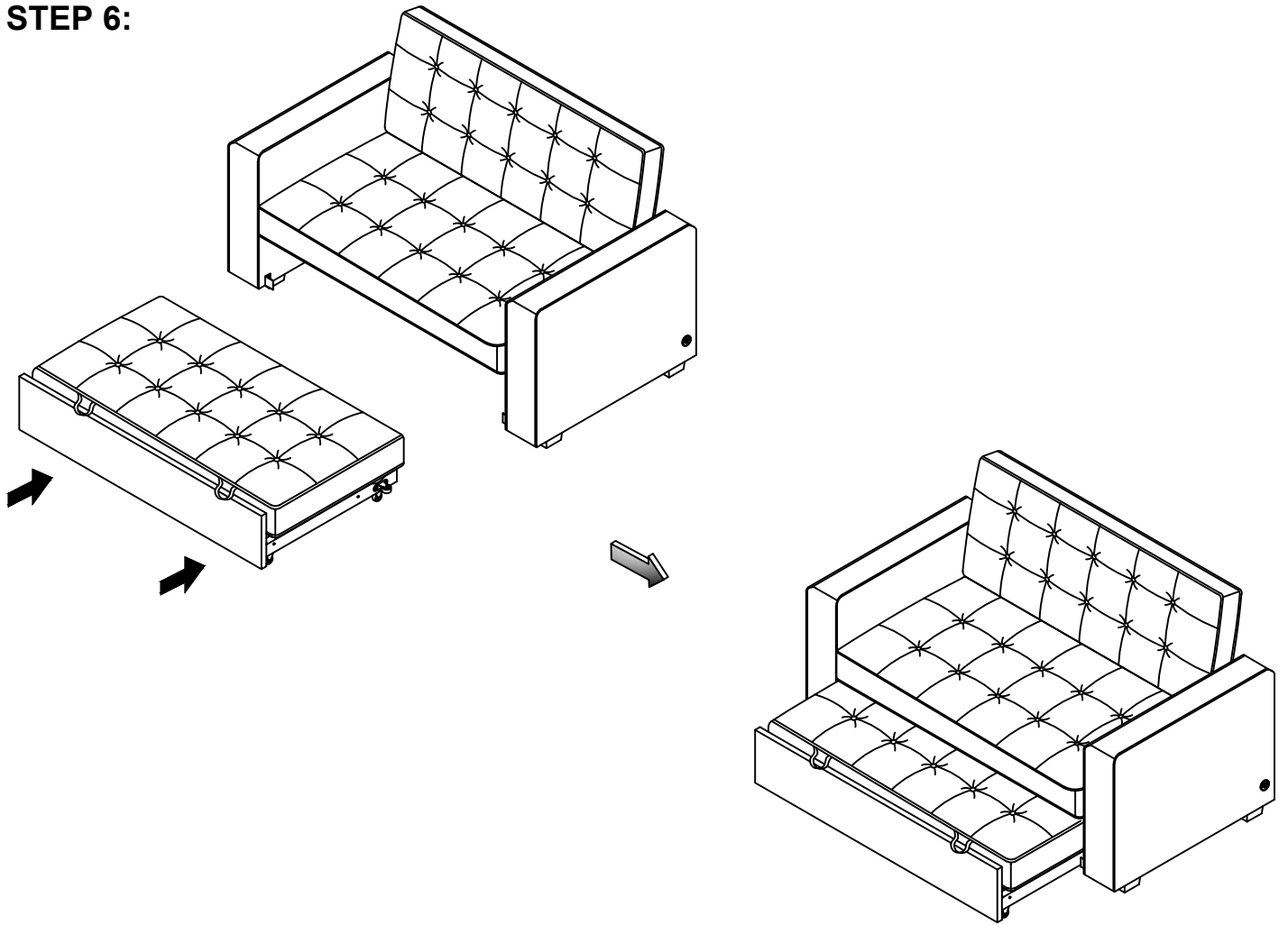
STEP 4:



STEP 5:



STEP 6:



Helpful Hints

- Sofa bed can transform into a sleeper
- Move your new furniture carefully, with two people lifting and carrying the unit to its new location.
- Your furniture can be disassembled and reassembled to move.
- Clean the product with a soft damp cloth. DO NOT use harsh chemicals or abrasive cleaners.

COMPLETED

