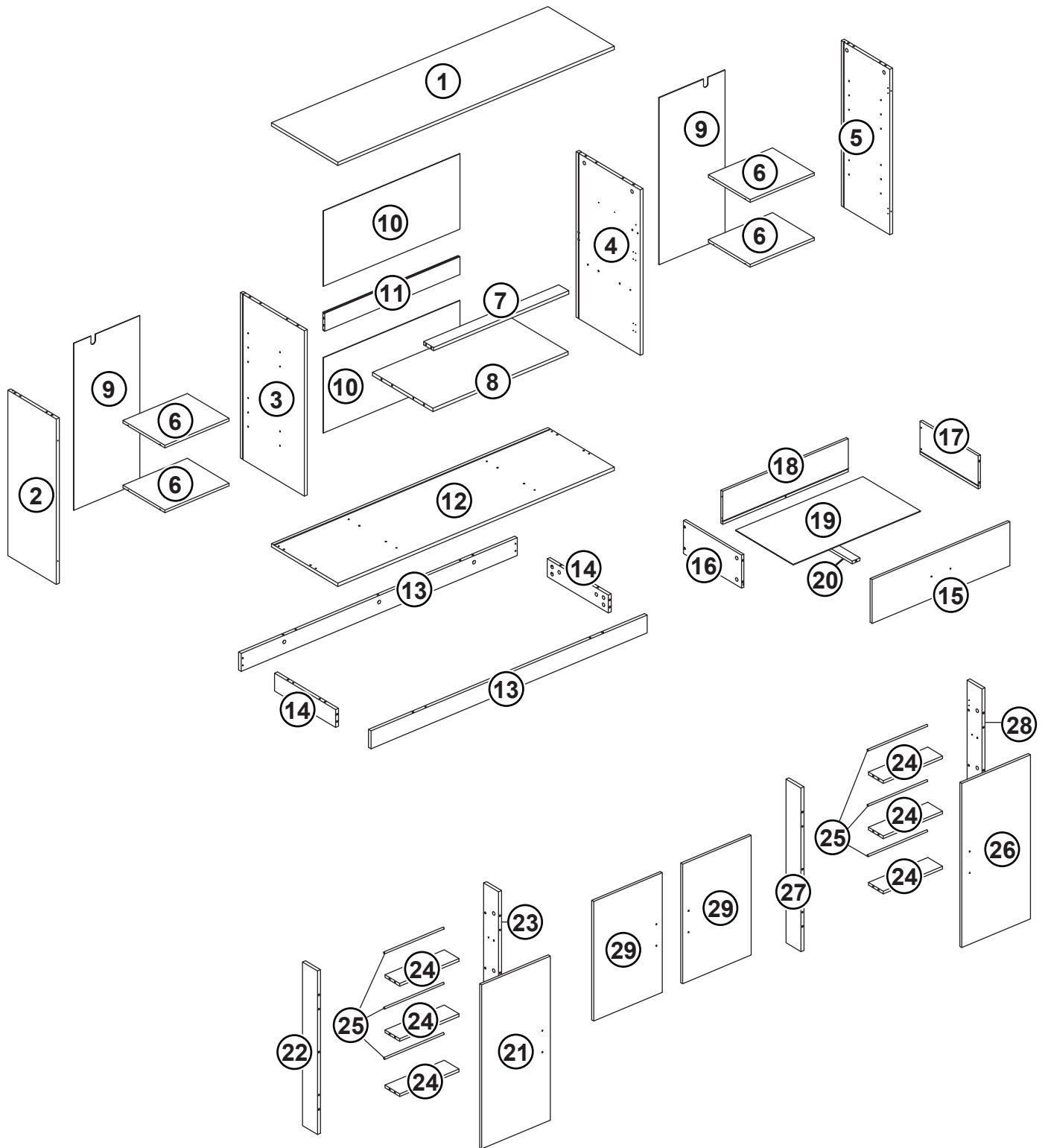
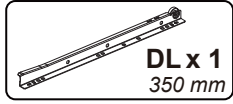
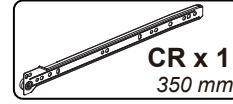
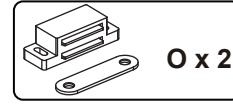
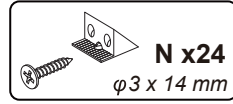
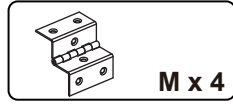
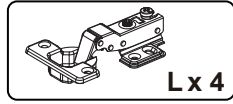
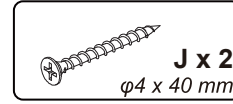
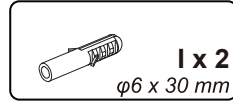
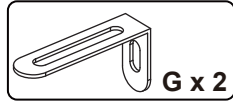
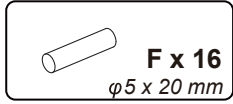
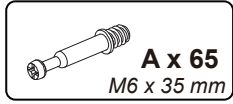


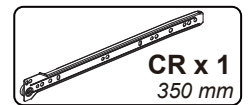
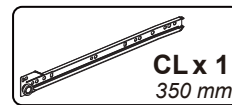
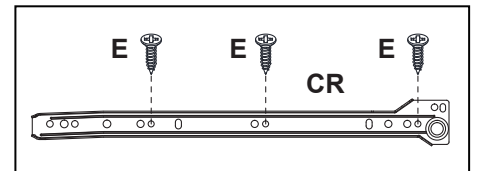
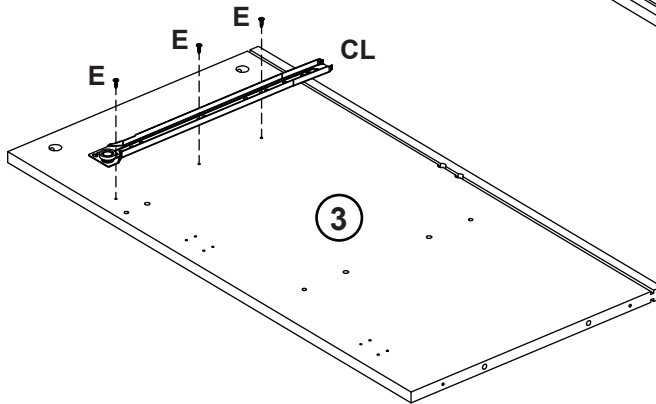
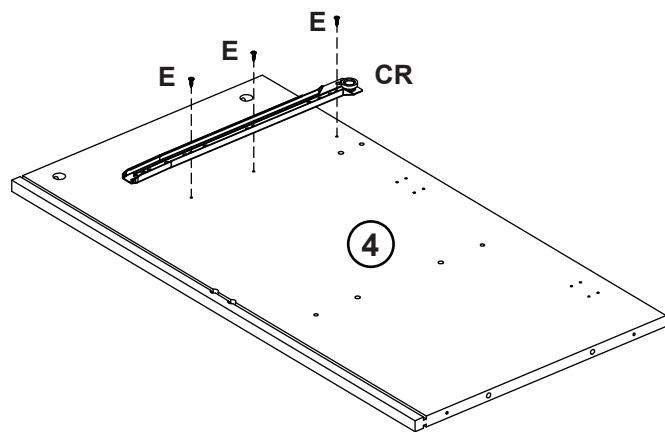
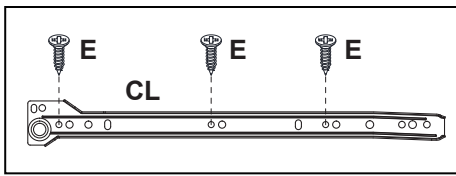
Exploded View



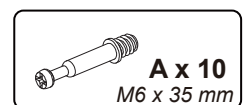
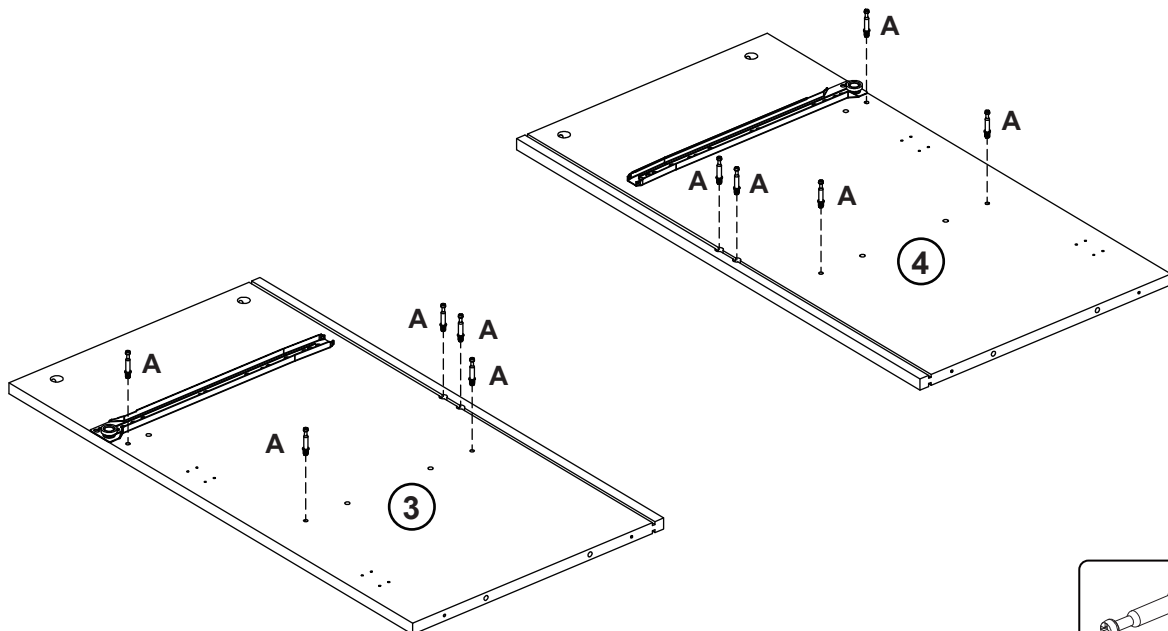
Fitting



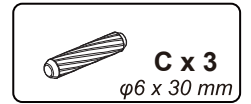
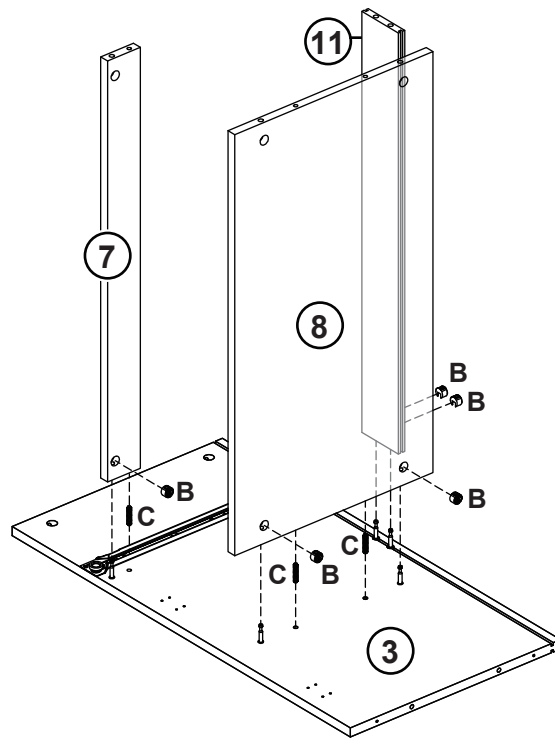
Step 1



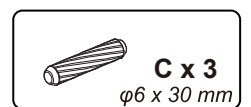
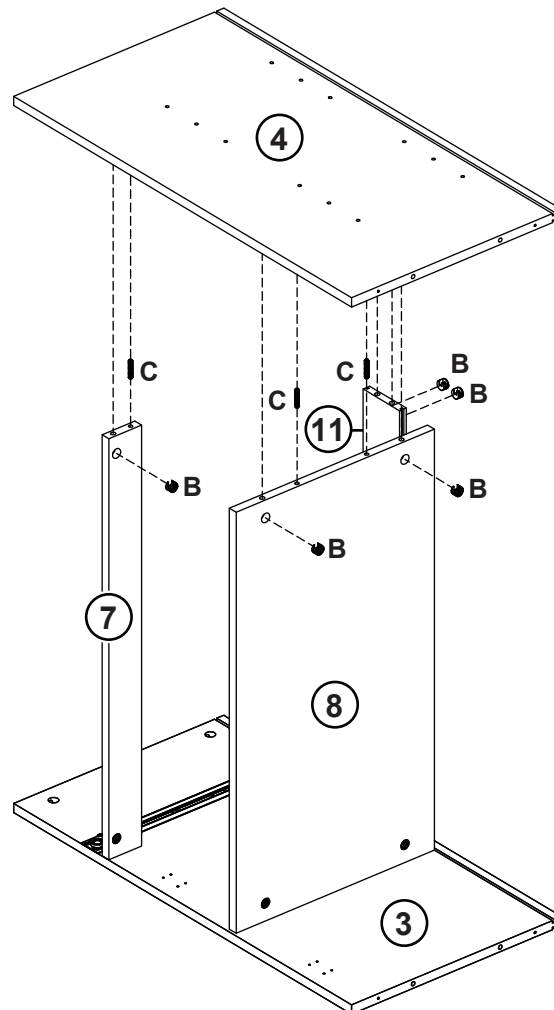
Step 2



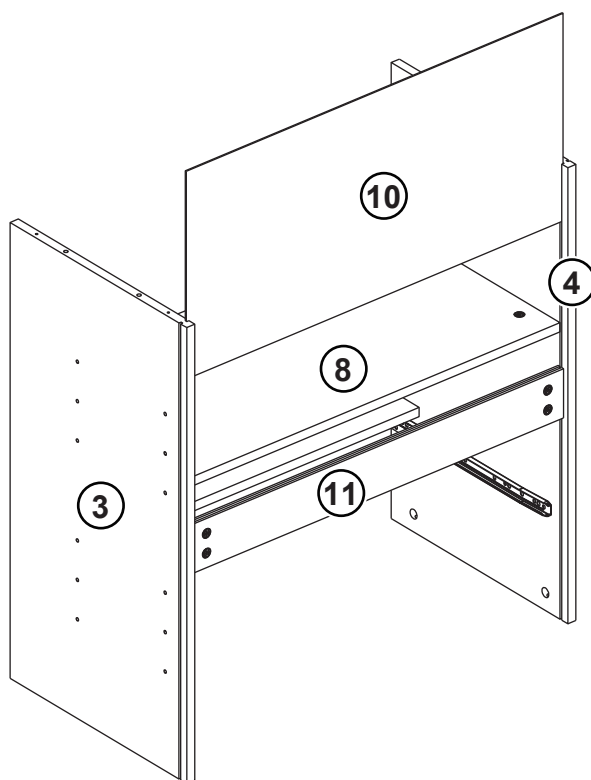
Step 3



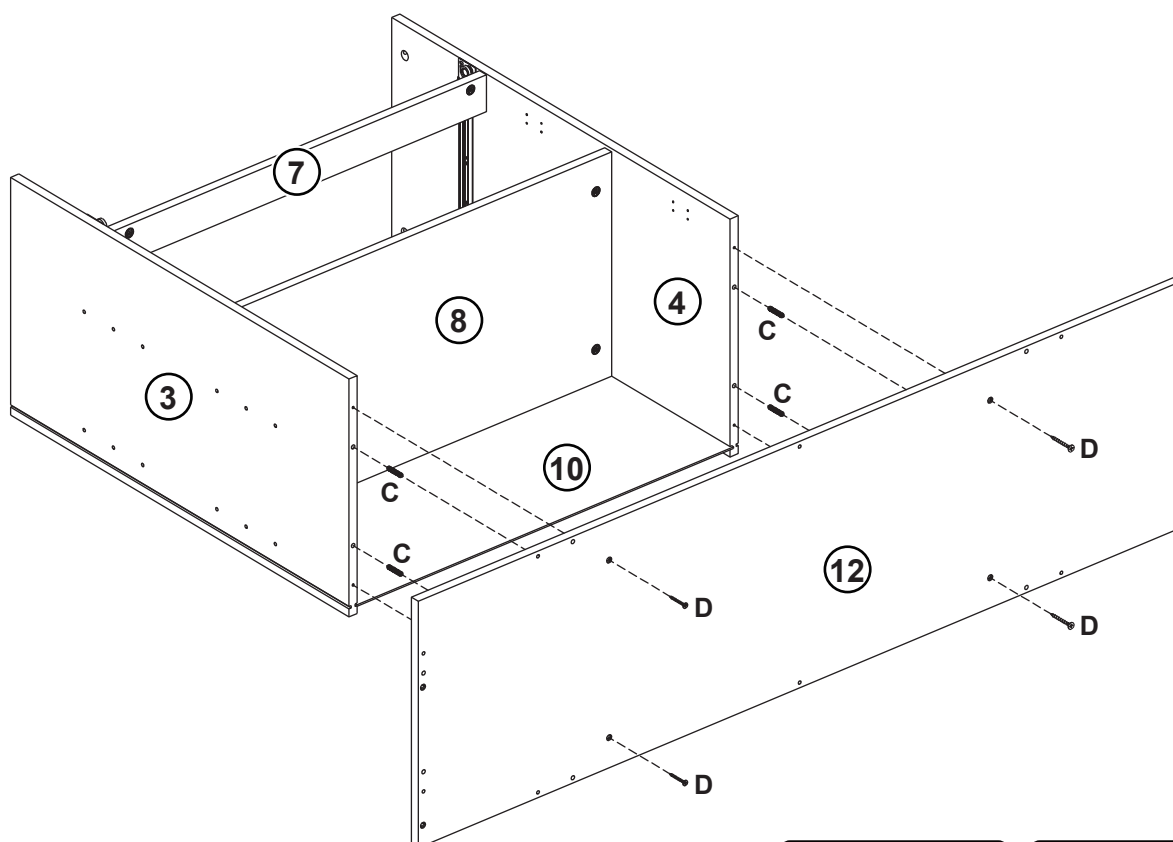
Step 4



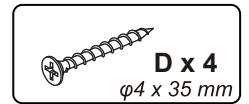
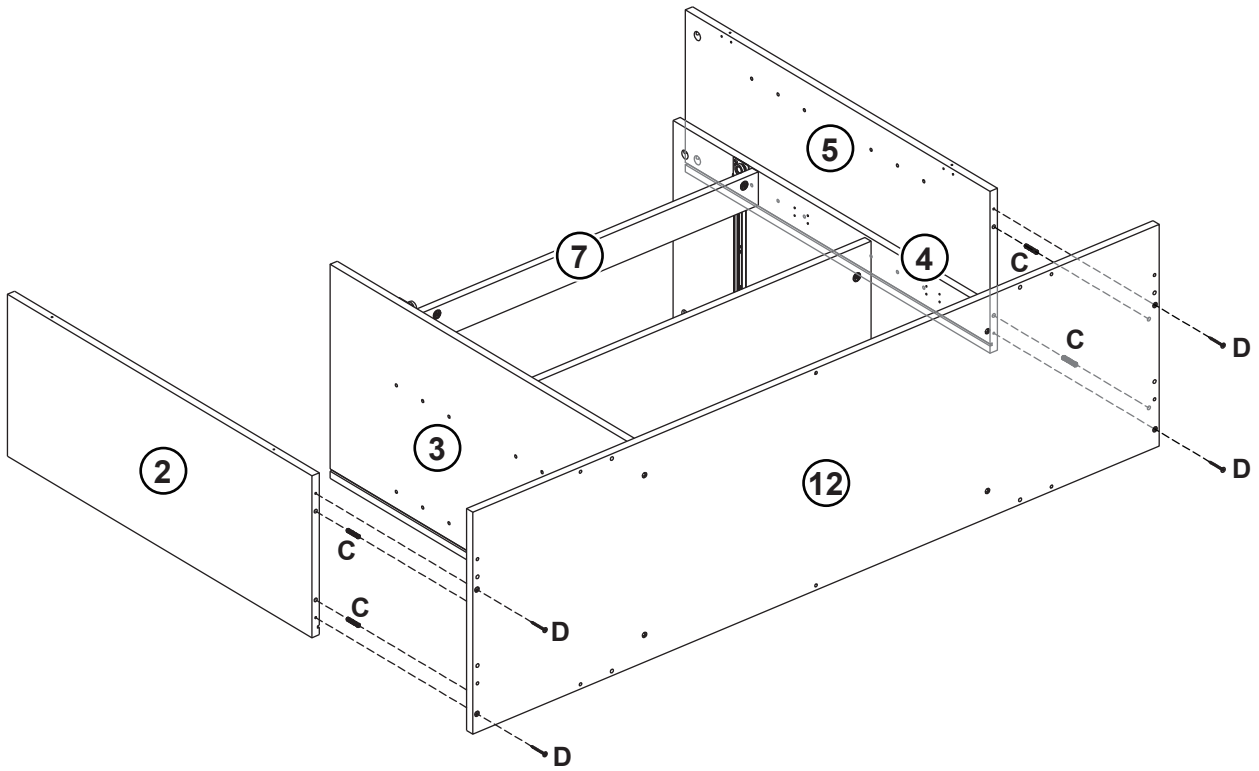
Step 5



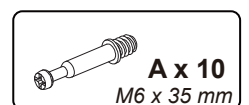
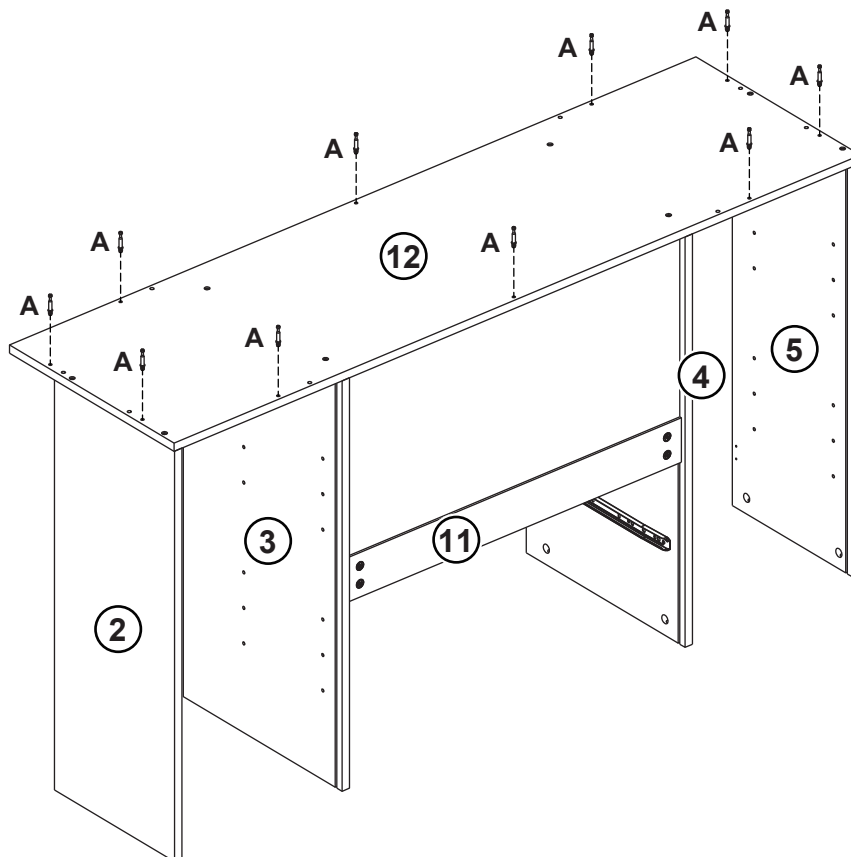
Step 6



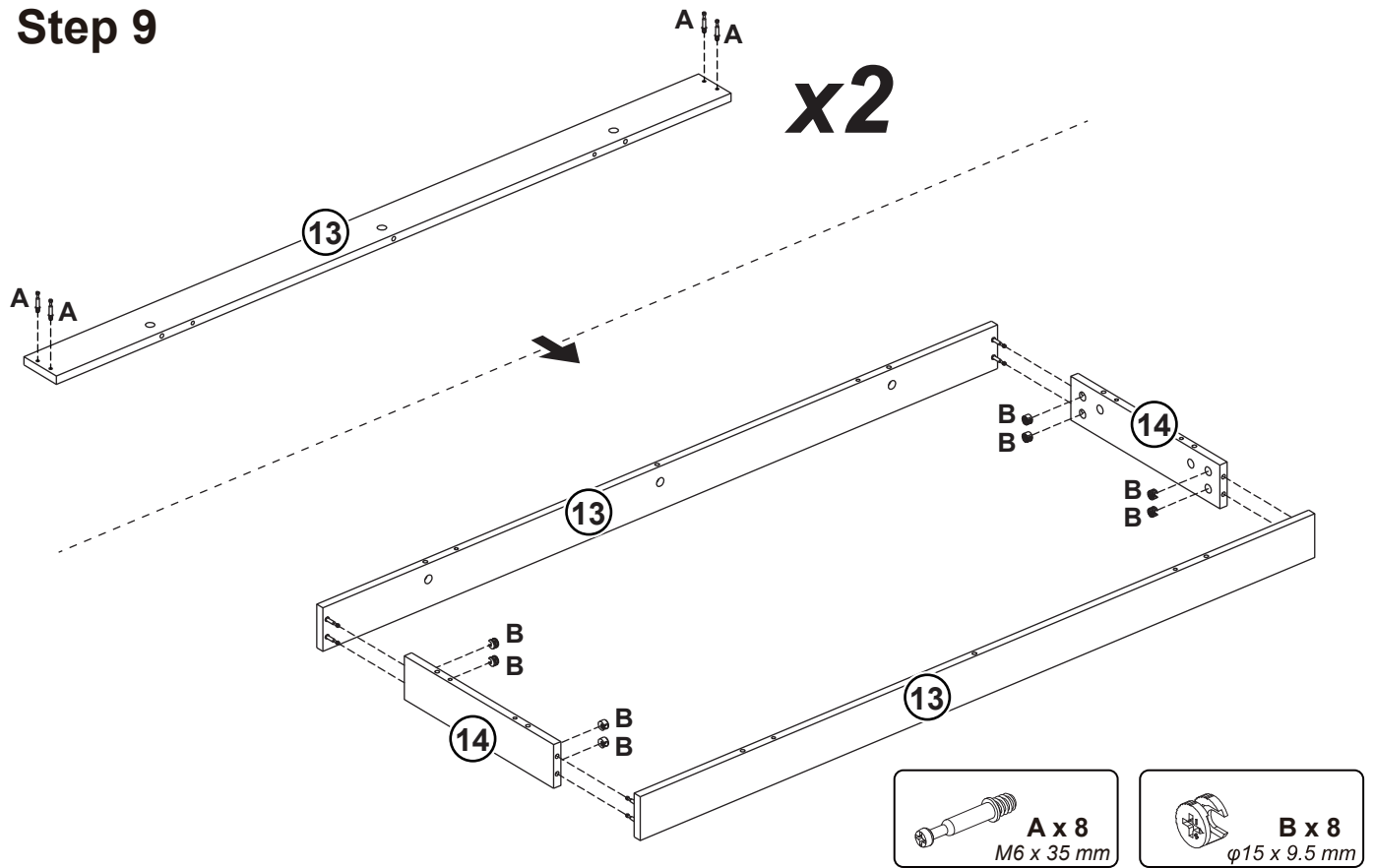
Step 7



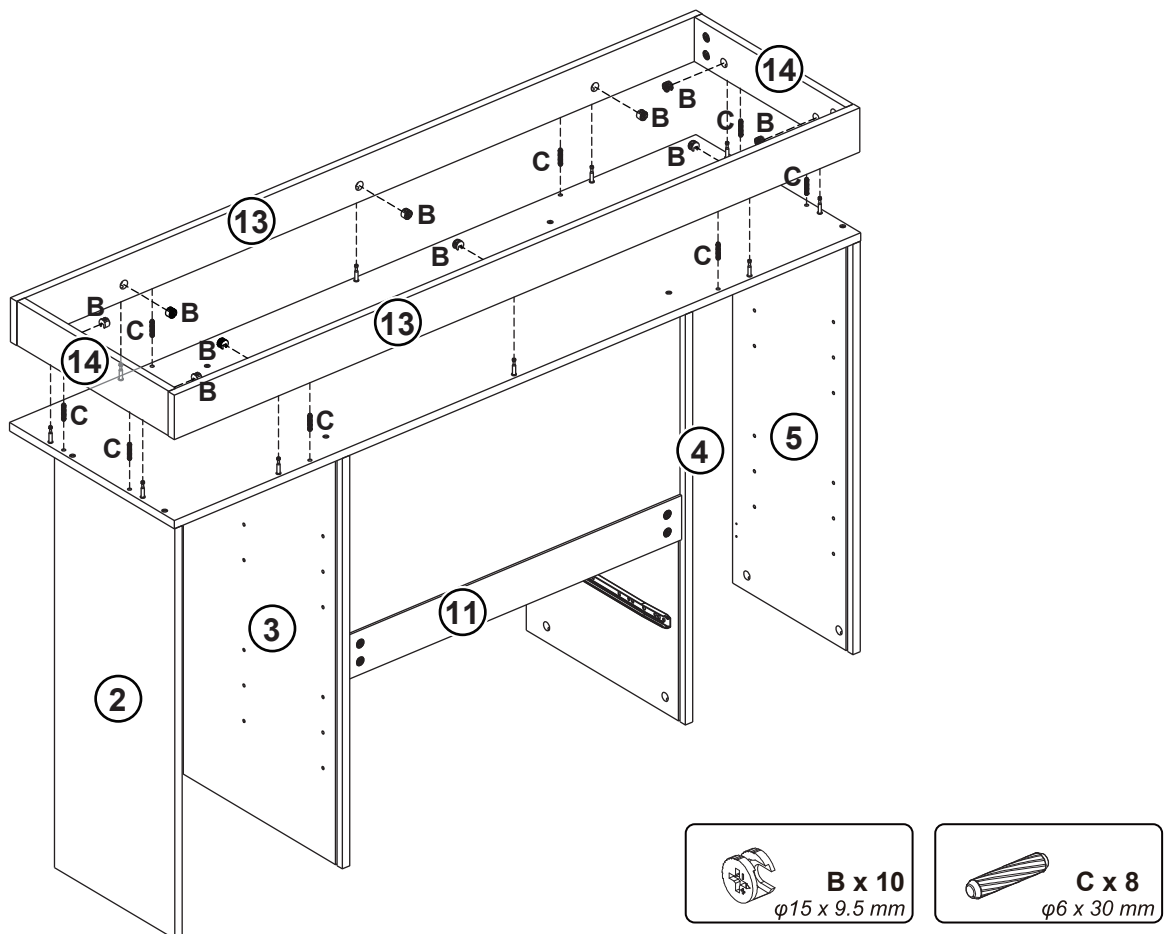
Step 8



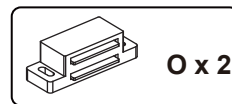
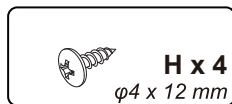
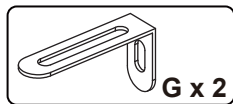
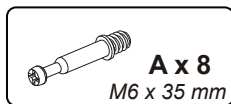
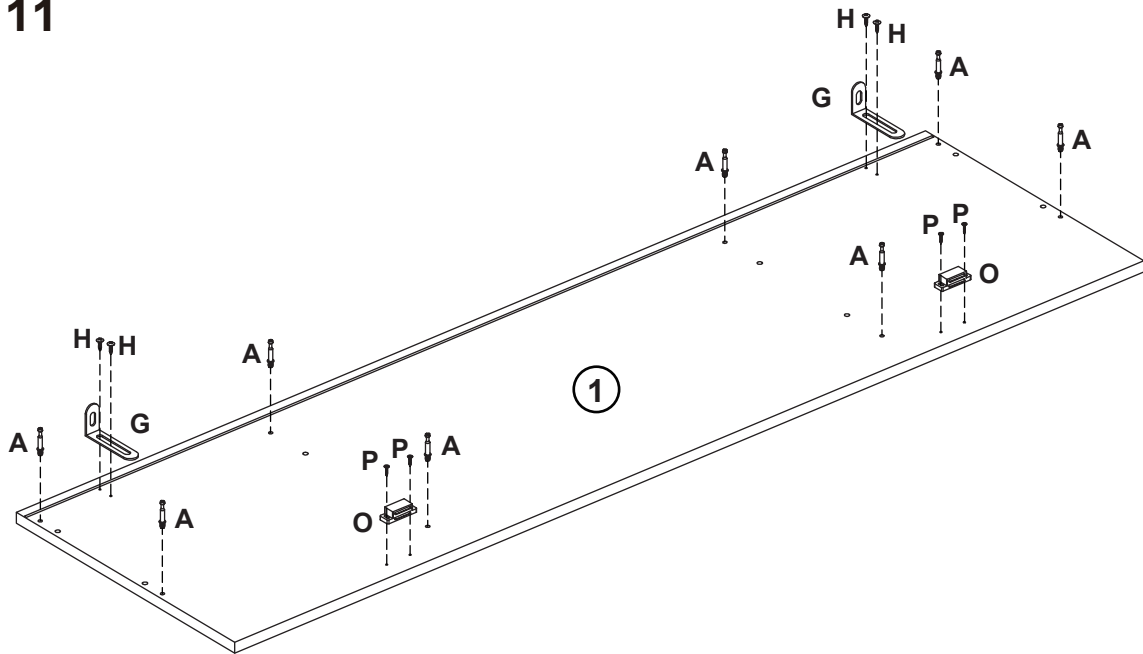
Step 9



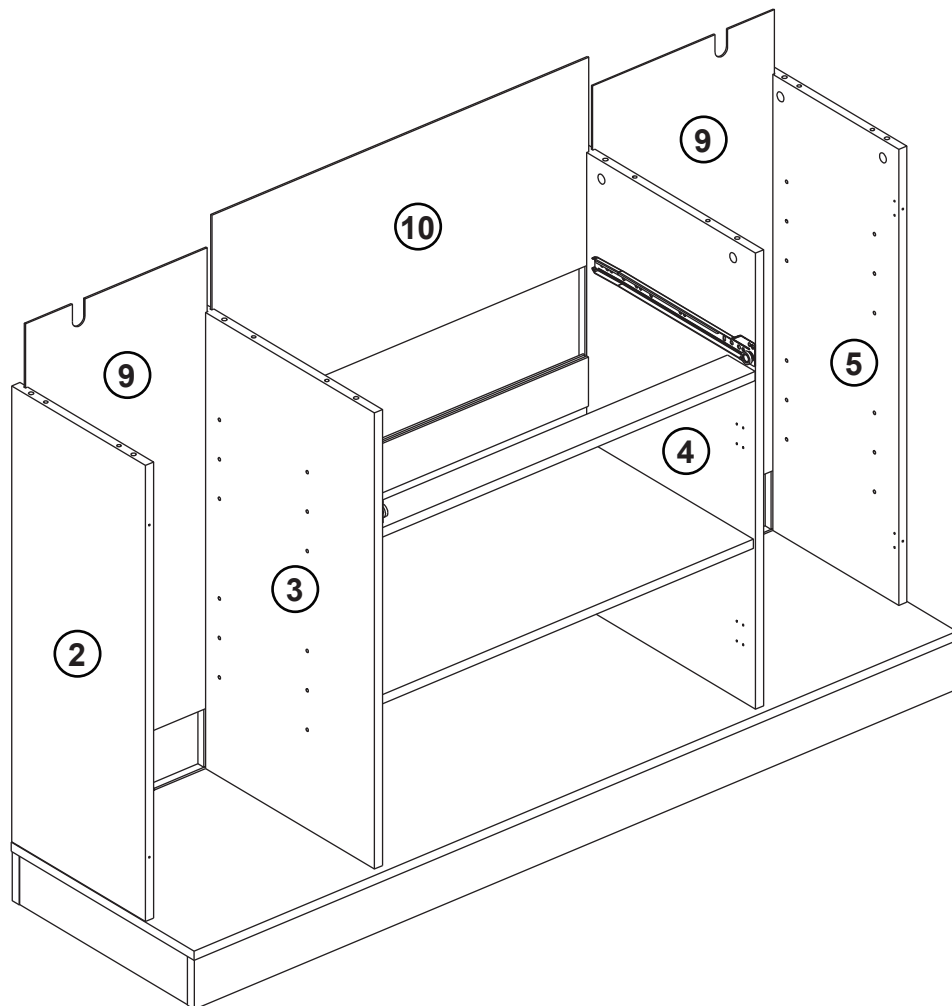
Step 10



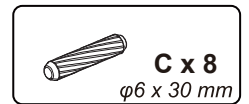
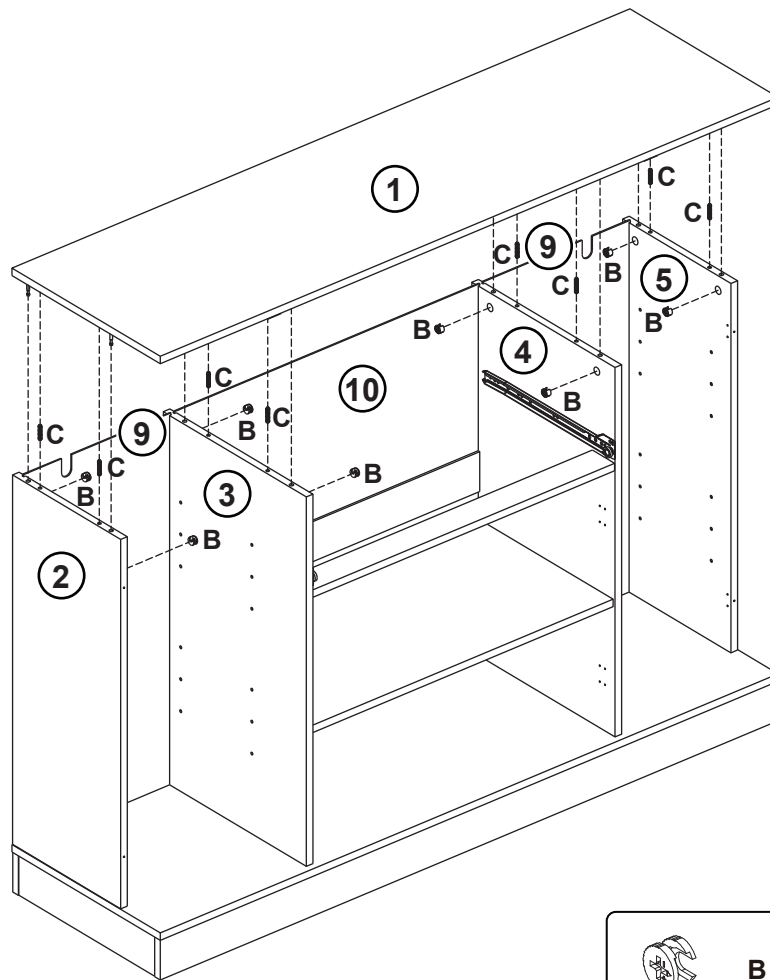
Step 11



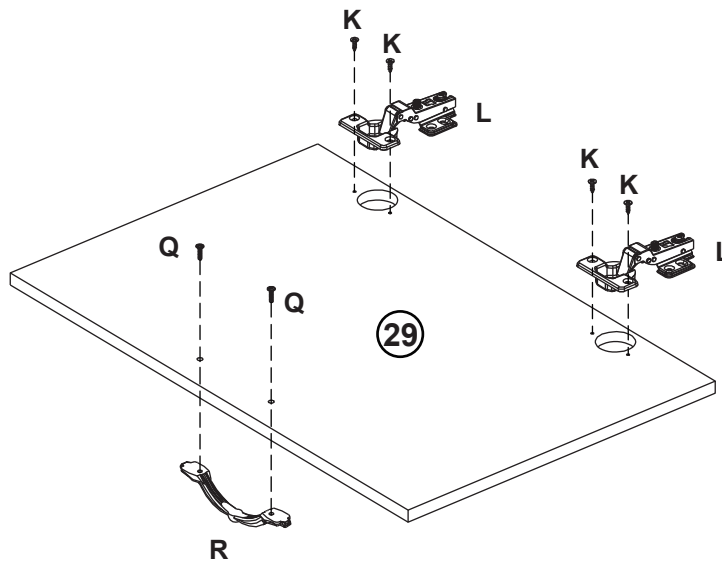
Step 12



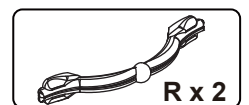
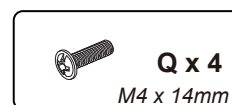
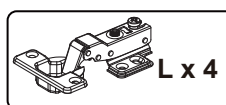
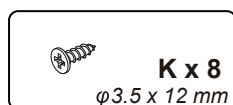
Step 13



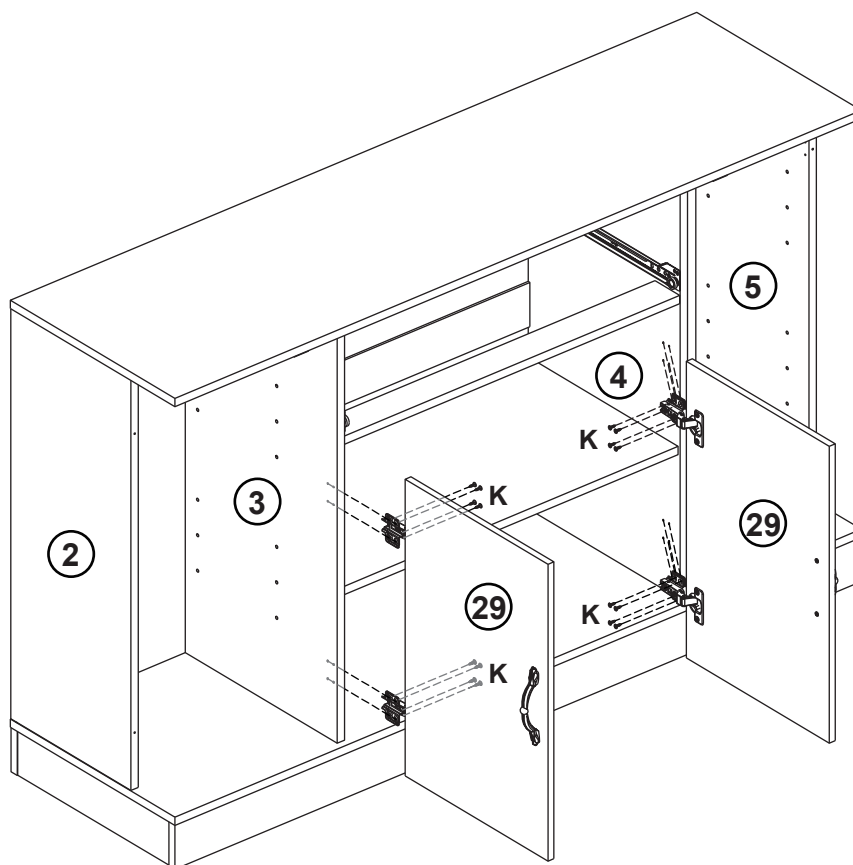
Step 14



x2

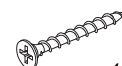
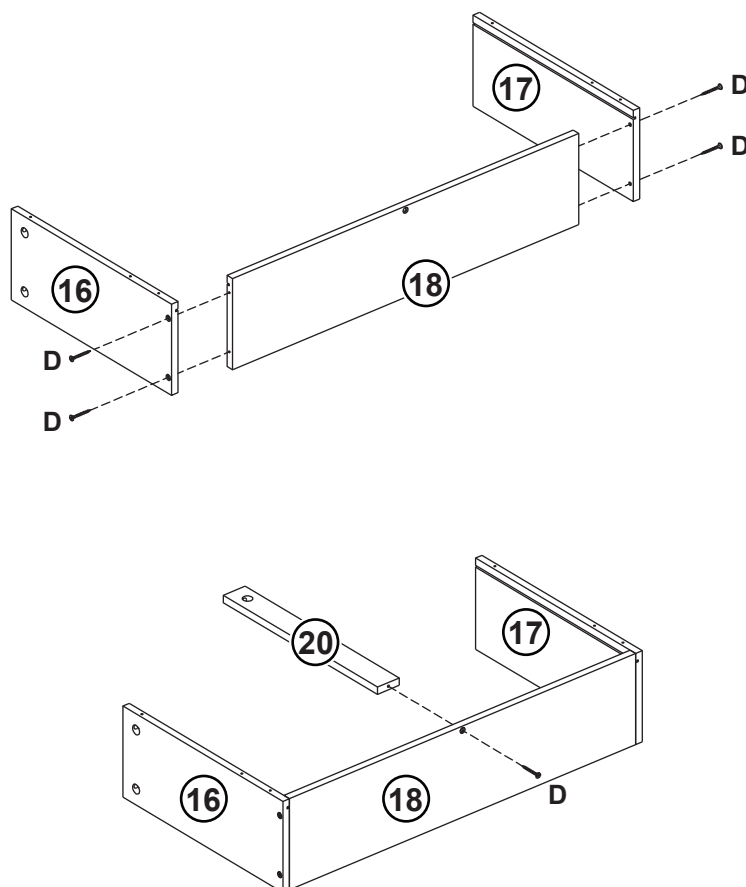


Step 15



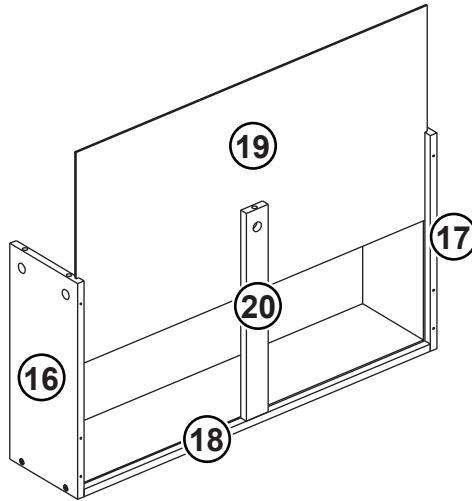
K x 16
 $\varnothing 3.5 \times 12 \text{ mm}$

Step 16

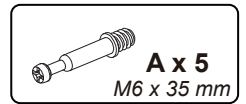
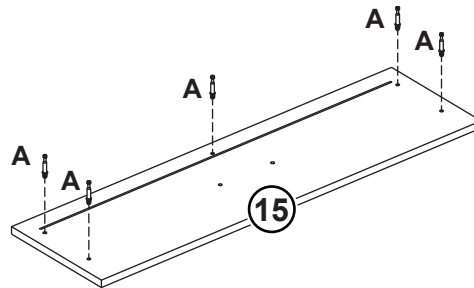


D x 5
 $\varnothing 4 \times 35 \text{ mm}$

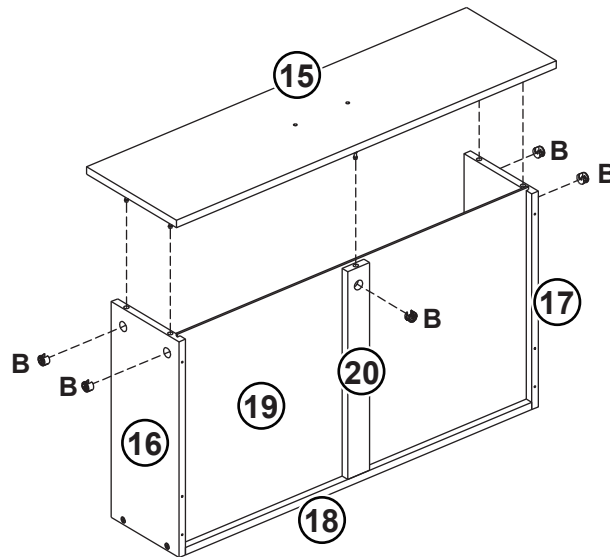
Step 17



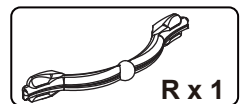
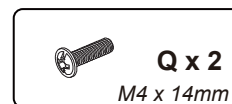
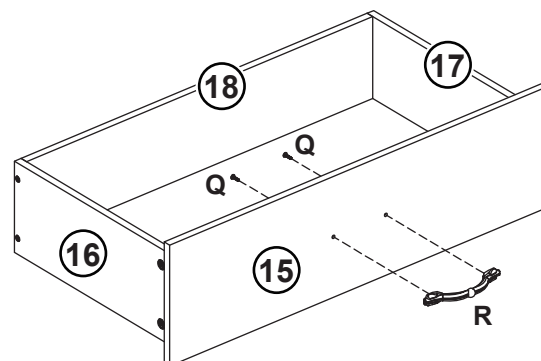
Step 18



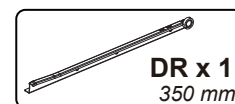
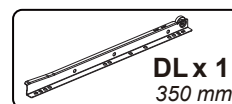
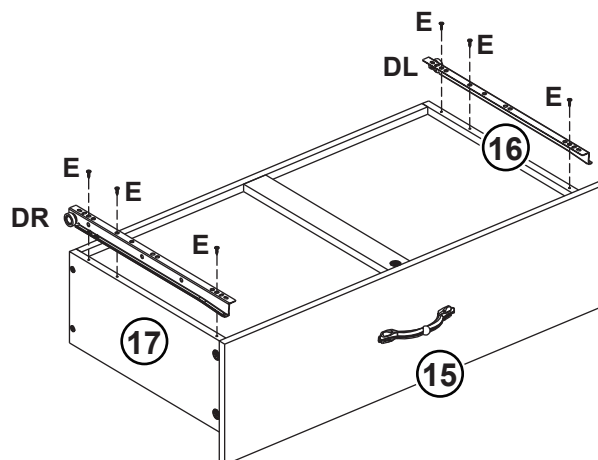
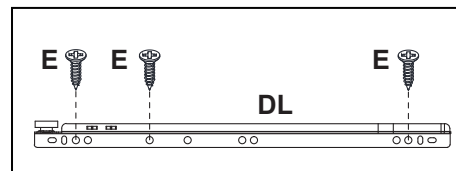
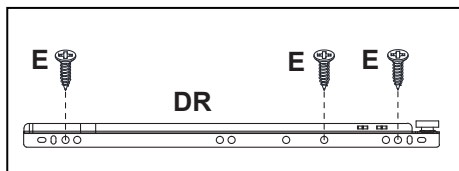
Step 19



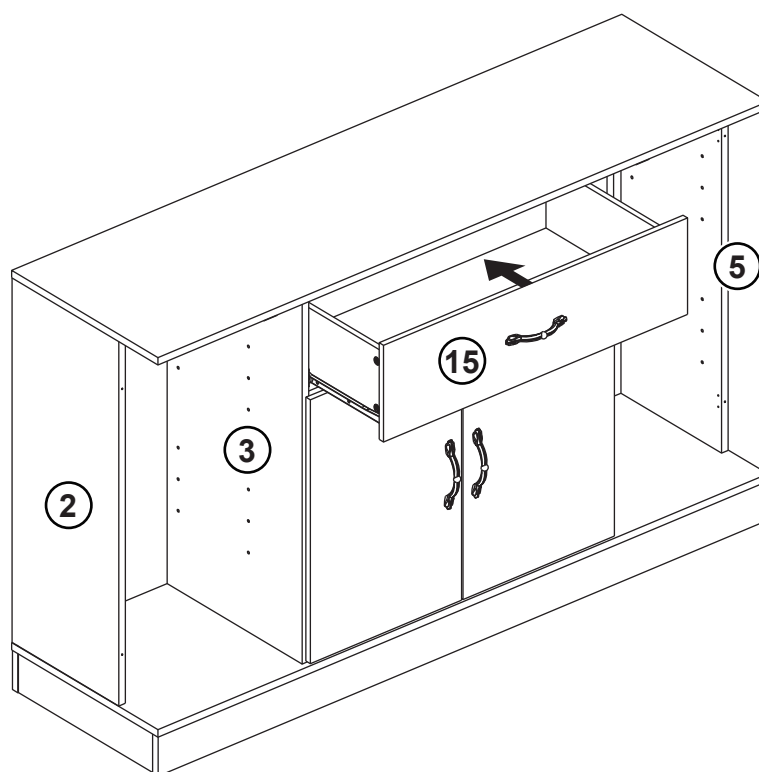
Step 20



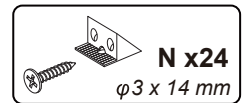
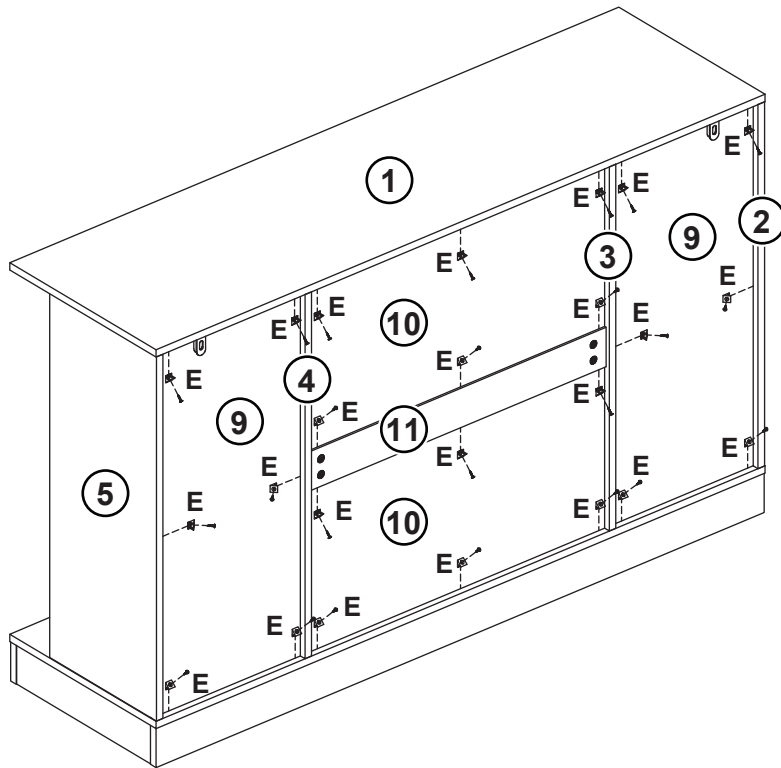
Step 21



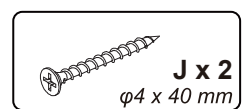
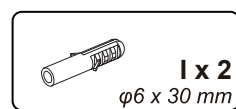
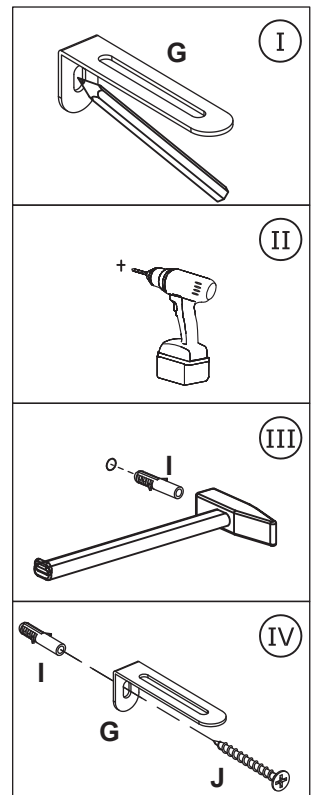
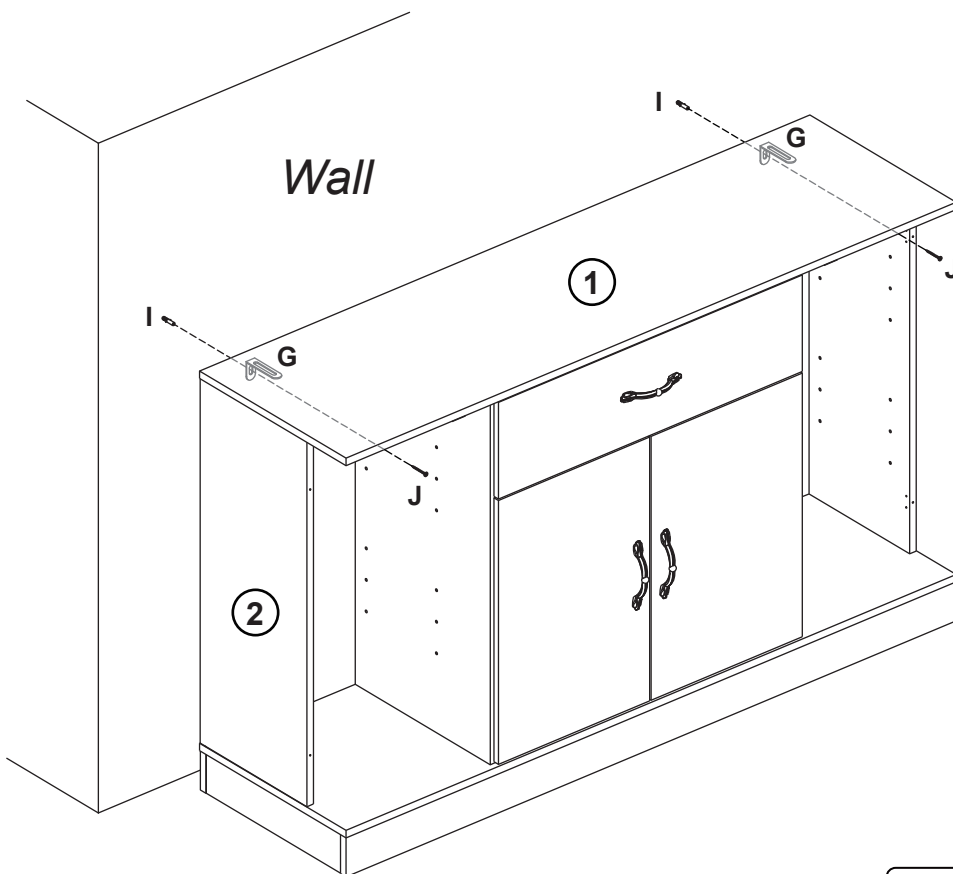
Step 22



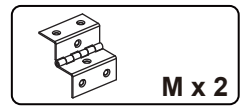
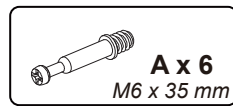
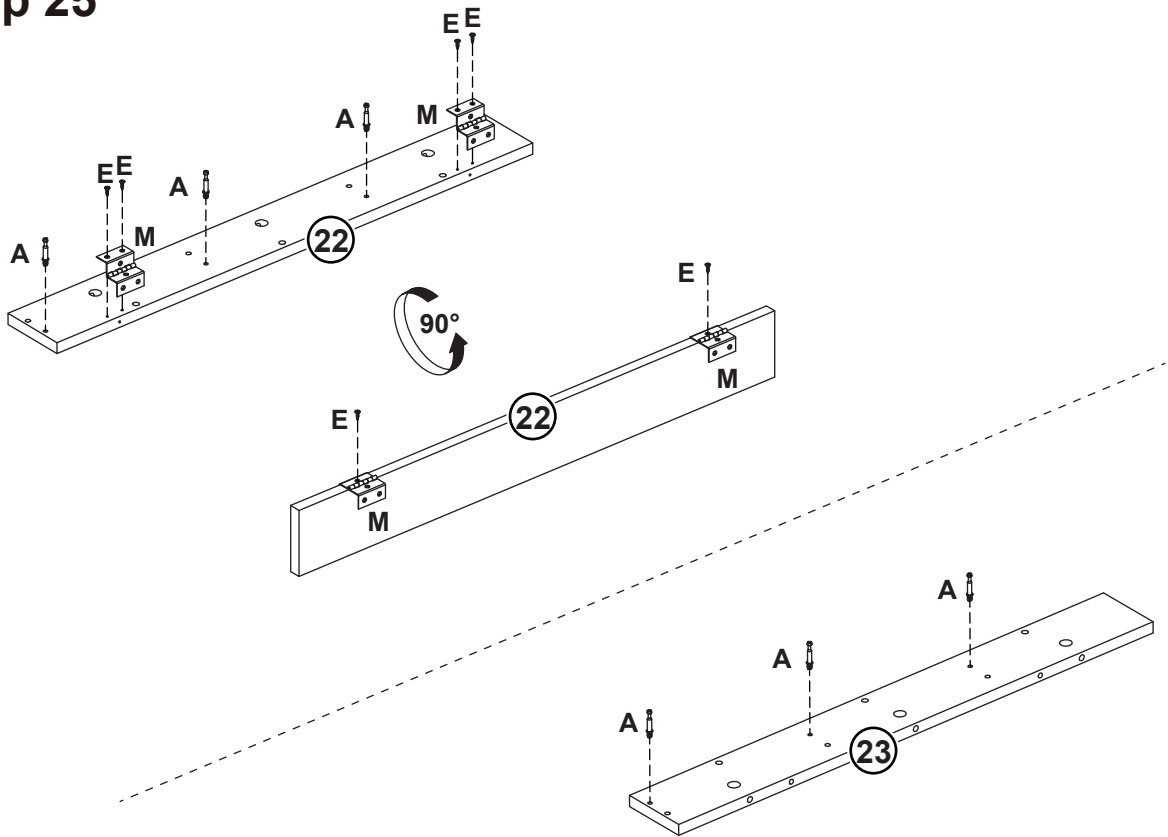
Step 23



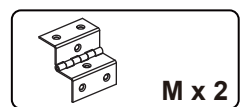
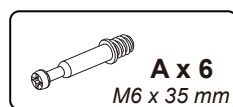
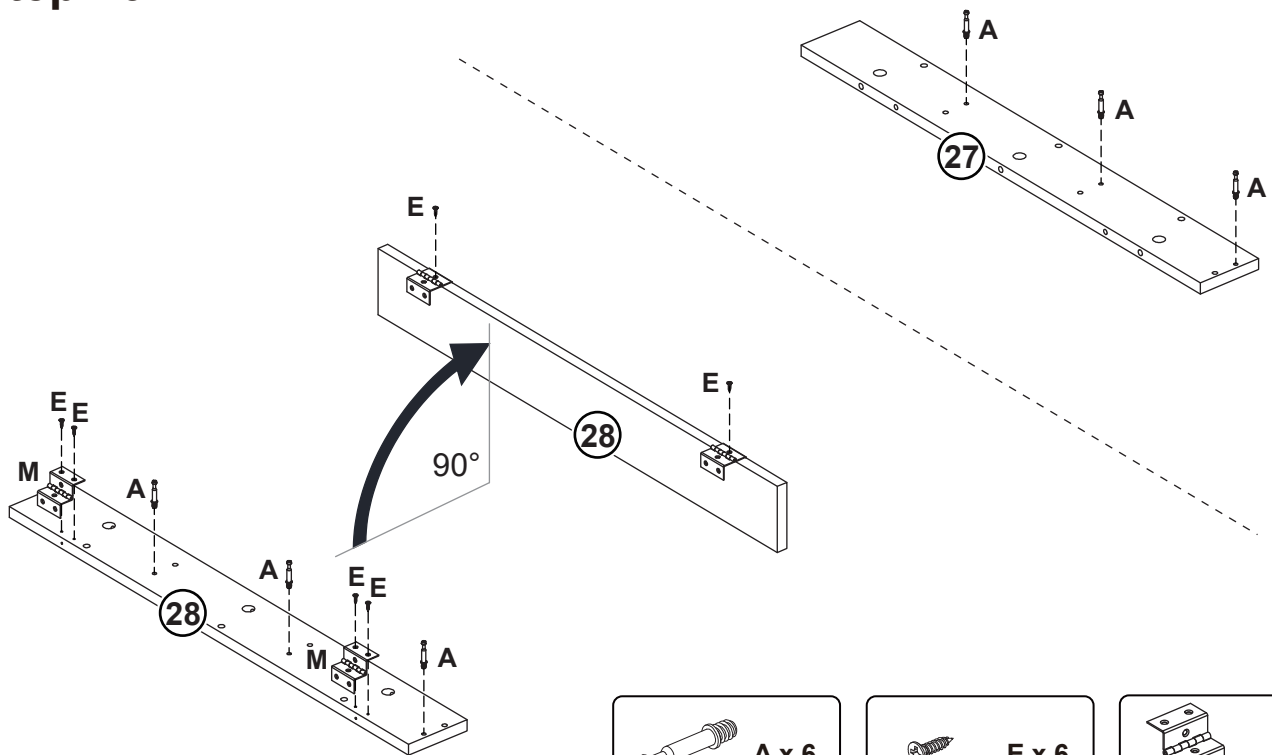
Step 24



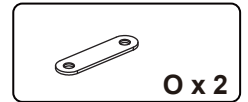
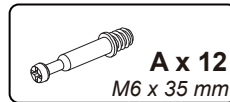
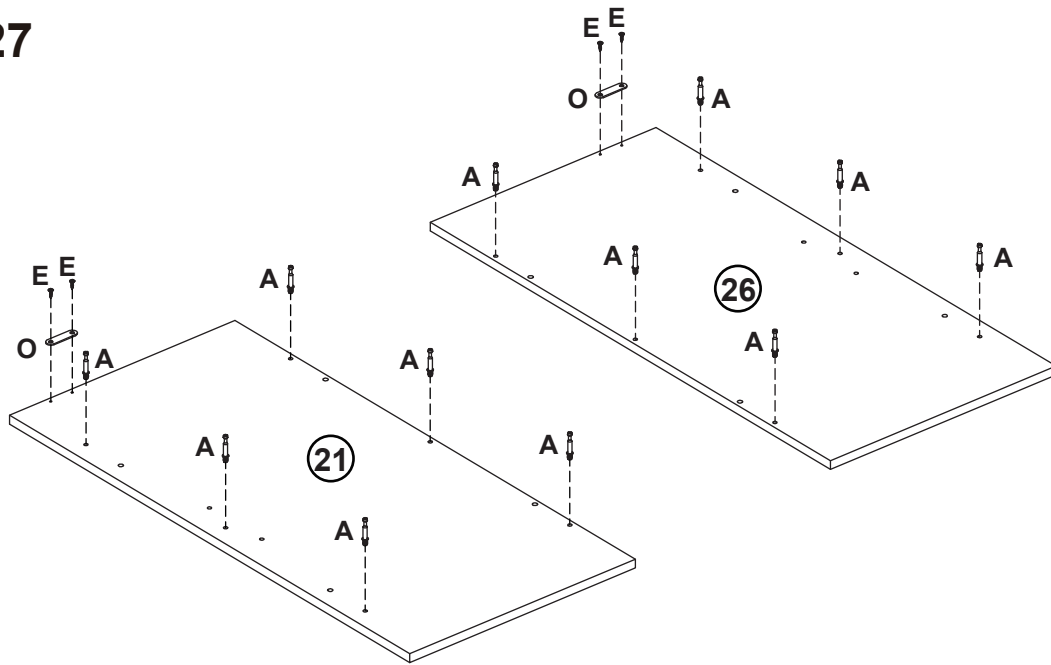
Step 25



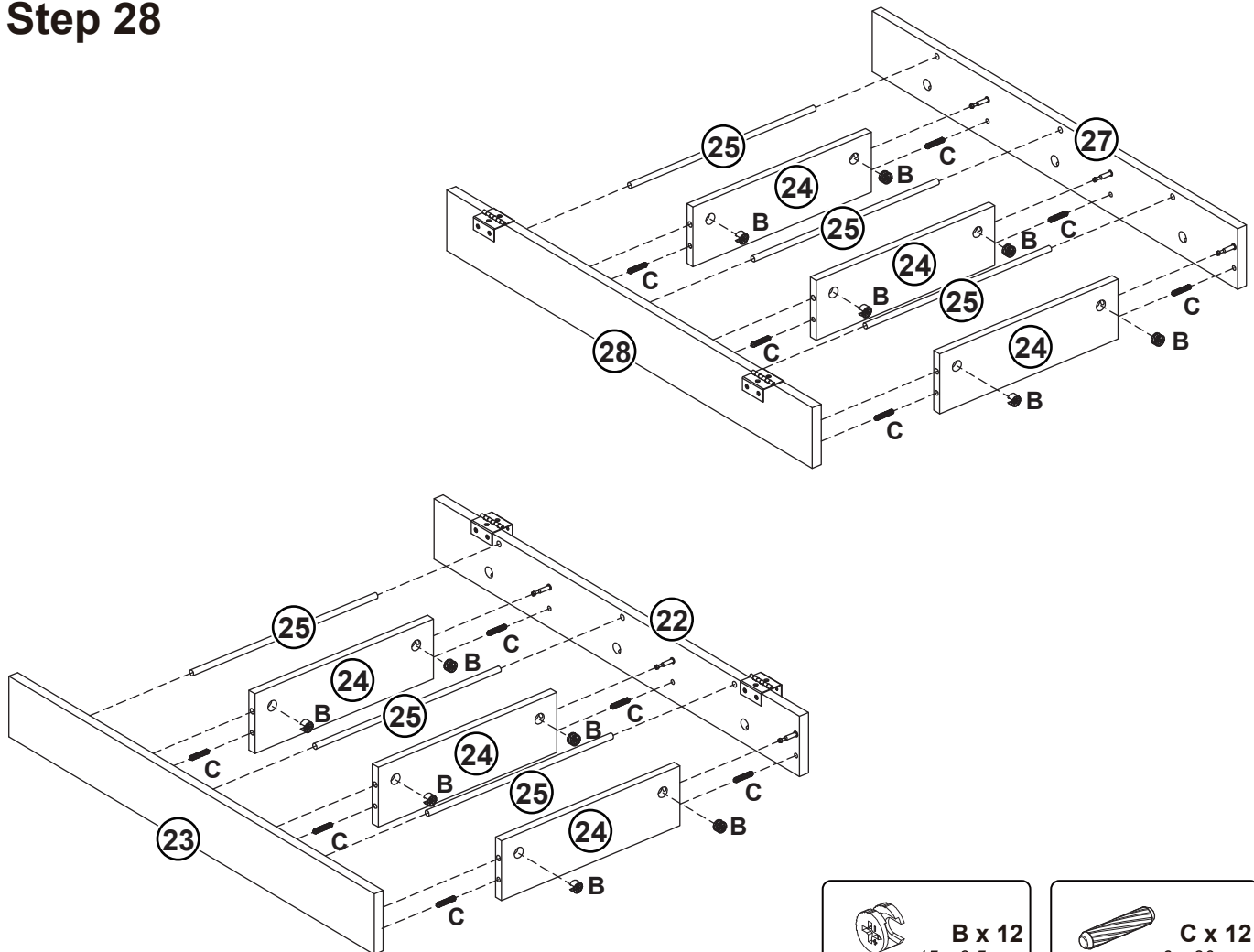
Step 26



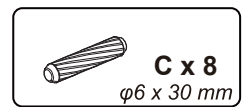
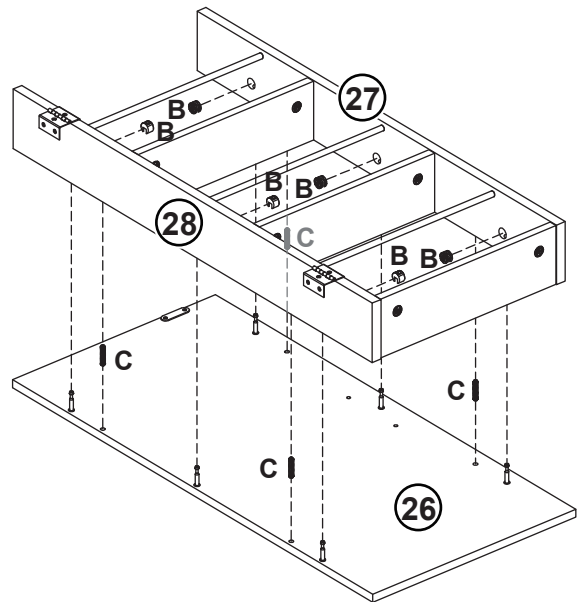
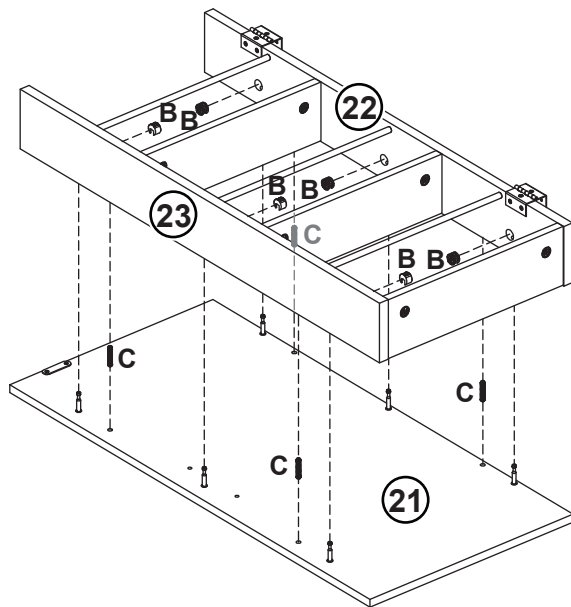
Step 27



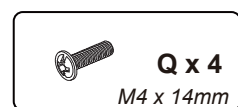
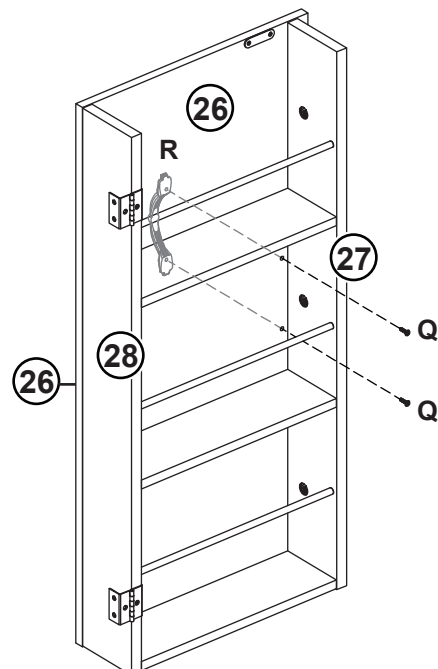
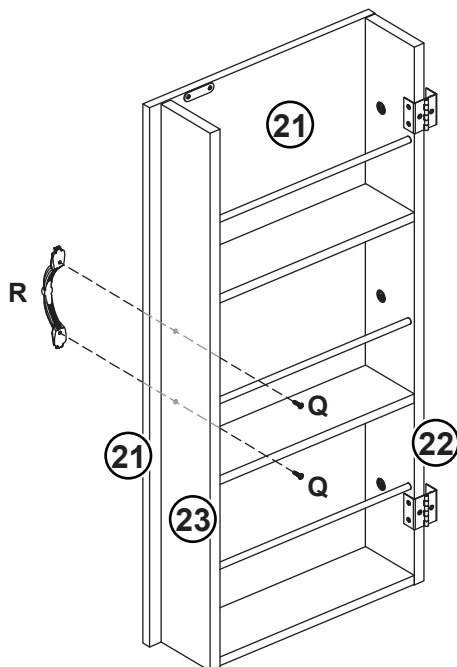
Step 28



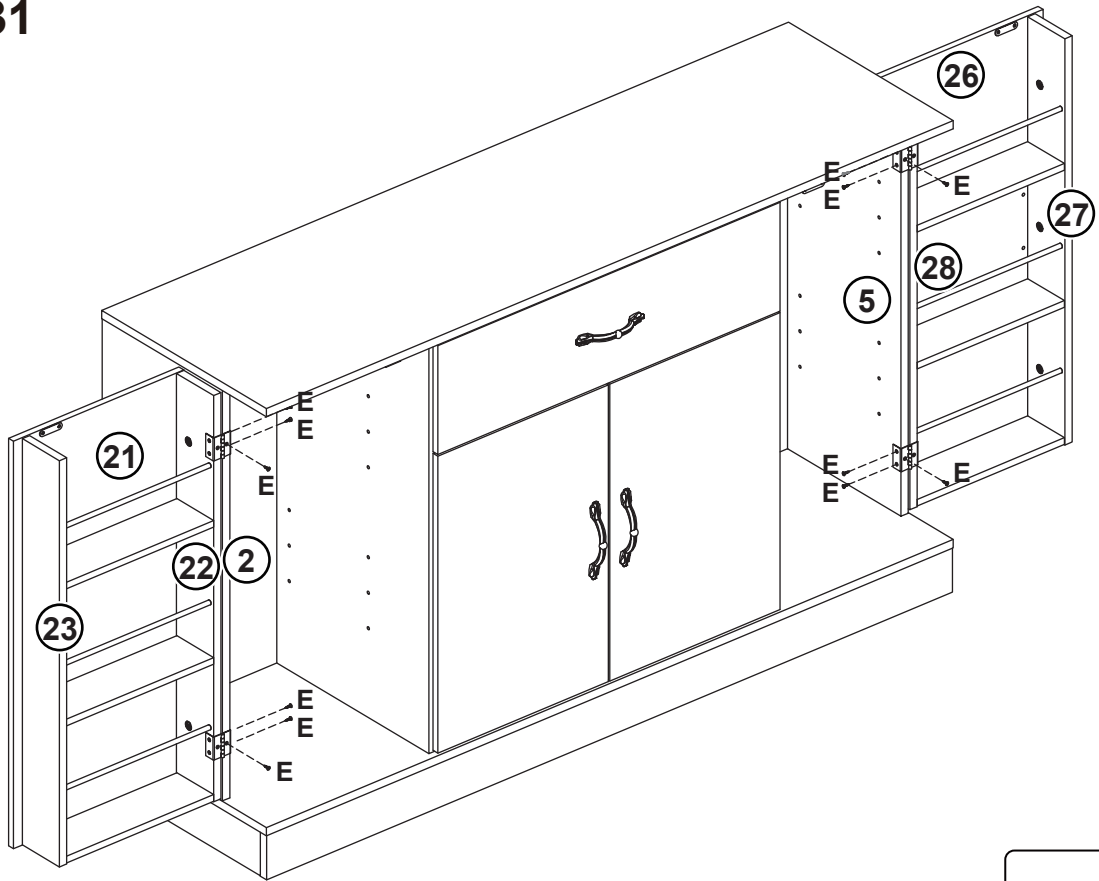
Step 29



Step 30

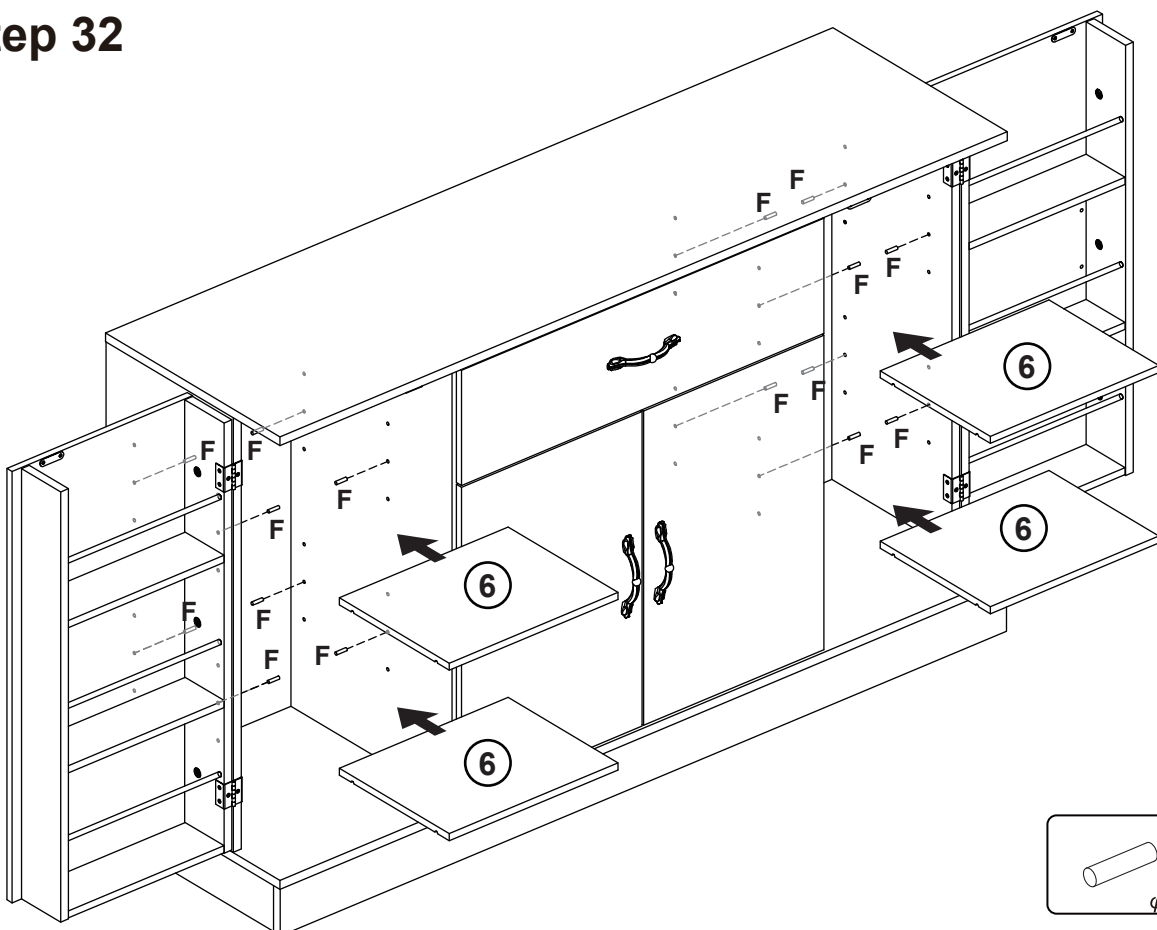


Step 31



E x 12
φ3 x 12mm

Step 32



F x 16
φ5 x 20mm