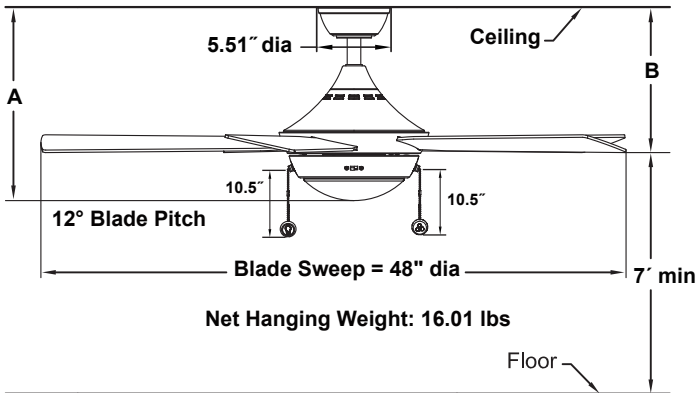




# 48" Ceiling Fan



	A	B
Fan w/4.5" downrod	14.95"	11.25"
Fan w/12" downrod	22.45"	18.75"
Fan w/18" downrod	28.45"	24.75"
Fan w/24" downrod	34.45"	30.75"
Fan w/36" downrod	46.45"	42.75"
Fan w/48" downrod	58.45"	54.75"
Fan w/60" downrod	70.45"	66.75"
Fan w/72" downrod	82.45"	78.75"

## INSTALLATION REQUIREMENTS:

Fan must be attached to a securely anchored electrical junction box capable of withstanding a load of at least 35 lbs.

## ELECTRICAL REQUIREMENTS:

Requires a grounded electrical supply line of 120 volts AC, 60 Hz, 15 amp circuit.

## MOTOR SPECS:

153 x 18 AC motor is designed for optimal performance with this fan.

## BLADES:

A set of five 20" plywood blades is included.

## CONTROL OPTIONS:

Three fan speeds pull chain control included. The reverse switch is located on the switch housing. Optional WC2WH, WR501WH and CWRL4 wall controls, BTR9, CRL4WH and CR500 remote controls, BTR9 receiver unit and WFR50 WiFi receiver unit are available—sold separately. Instructions are provided with each control.

## LIGHTING OPTIONS:

One 18-watt LED included. ON/OFF and dimmable pull chain control.

## DOWNROD OPTIONS:

Fan comes with a 1" Dia. x 4.5" downrod (DRT1-45). Optional downrods are available in 12", 18", 24", 36", 48", 60" and 72". For installations requiring a longer downrod, a downrod coupler is available. Fan can be mounted on a sloped ceiling up to 19°. Most sloped ceiling installations require a standard 12" downrod or longer downrod. Optional close-to-ceiling kit is available as well—sold separately. Optional sloped ceiling kits (SCK1-52) are available for up to 42°. Call technical support for more information.

## LOCATION USE:

Fan is rated for dry location only. This fan is for room up to 225 sq ft.

Available Finishes	
LAZ	Aged Bronze with Cherry/Dark Walnut Reversible Blade and Opal Frosted Shade
LBNBB	Brushed Nickel with Gray/Black Reversible Blade and Opal Frosted Shade
LBNCDW	Black with with Cherry/Dark Walnut Reversible Blade and Opal Frosted Shade
LBL	Black with Black Blade and Opal Frosted Shade
LGR	Matte Greige with Weathered Wood Blades and Opal Frosted Shade
LMW	Matte White with Matte White Blade and Opal Frosted Shade

Airflow / Energy Efficiency Info (120V)					
Fan Speed	Max RPM	CFM	CFM / Watts	Amps	Watts
High	192	4737	88	0.45	54
Med	138	3202	129	0.30	25
Low	78	1886	174	0.20	11

Energy Guide FTC			
Power (Watt)	Total Air Delivery (CFMave)	Estimated Yearly Energy Cost (\$)	Ceiling Fan Efficiency (CFM/W)
34	3401	9	101

Light Bulb Information (120V)					
Bulb Type	Watts	QTY	Lumens Amount	Color Temp	CRI
LED	18	1	1500	3000	90%