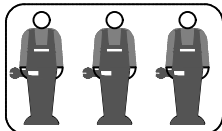
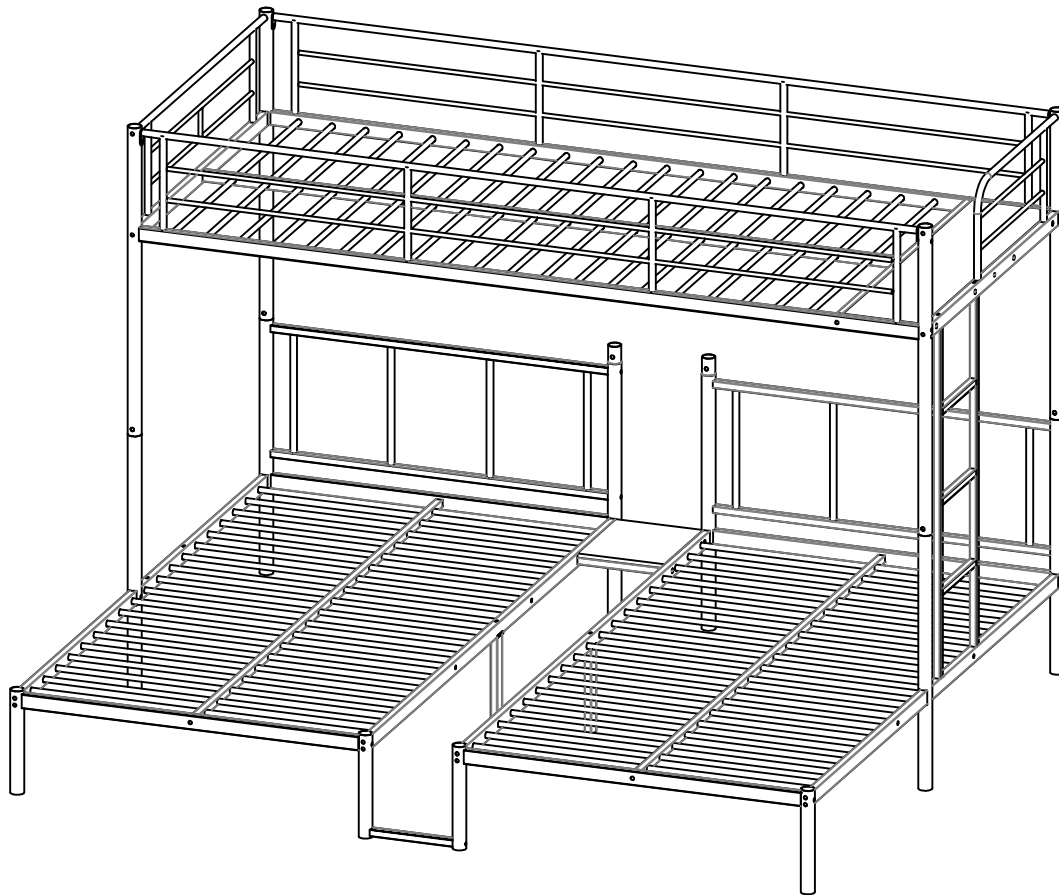


THE BED ASSEMBLY INSTRUCTIONS



Please use the screws according to the instructions, thank you.

SAFETY WARNINGS AND GENERAL NOTES:

1. Follow the information on the warnings on the bunk bed end structure and on the carton. Do not remove the warning label from the bed.
2. Always use the recommended size mattress on mattress support, or both, to help prevent the likelihood of entrapment or falls.
3. Do not allow children under 6 years of age to use the upper bunk.
4. Periodically check and ensure the guardrail, ladder and other components are in their proper position, free from damage, and all connectors are tight.
5. Do not allow horseplay on or under beds.
6. Always prohibit jumping on the bed.
7. Prohibit more than one person on upper bunk.
8. Always use the ladder for entering and leaving the upper bunk.
9. Do not use substitute parts. Contact the manufacturer or dealer for replacement parts.
10. Use of a night-light may provide added safety precaution for a child using the upper bunk.
11. Always use guardrails on both long sides of the upper bunk.
12. If the bunk bed is placed adjacent to a wall, the full-length guardrail must be positioned flush against the wall to prevent entrapment hazards. Waterbeds and inflatable mattresses are strictly prohibited.
13. STRANGULATION HAZARD- Never attach or hang items to any part of the bunk bed that are not designed for use with the bed; for example, but not limited to, hooks, belts and jump ropes.
14. Keep these instructions for future reference.
15. We recommend assembling your bunk bed on the shipping carton to protect your floor or carpet.
16. Be certain all staples are out of the box before beginning assembly on the shipping carton.
17. USE ONLY MATTRESSES WHICH ARE AS THE TABLE BELOW ON UPPER AND ON LOWER BUNKS.

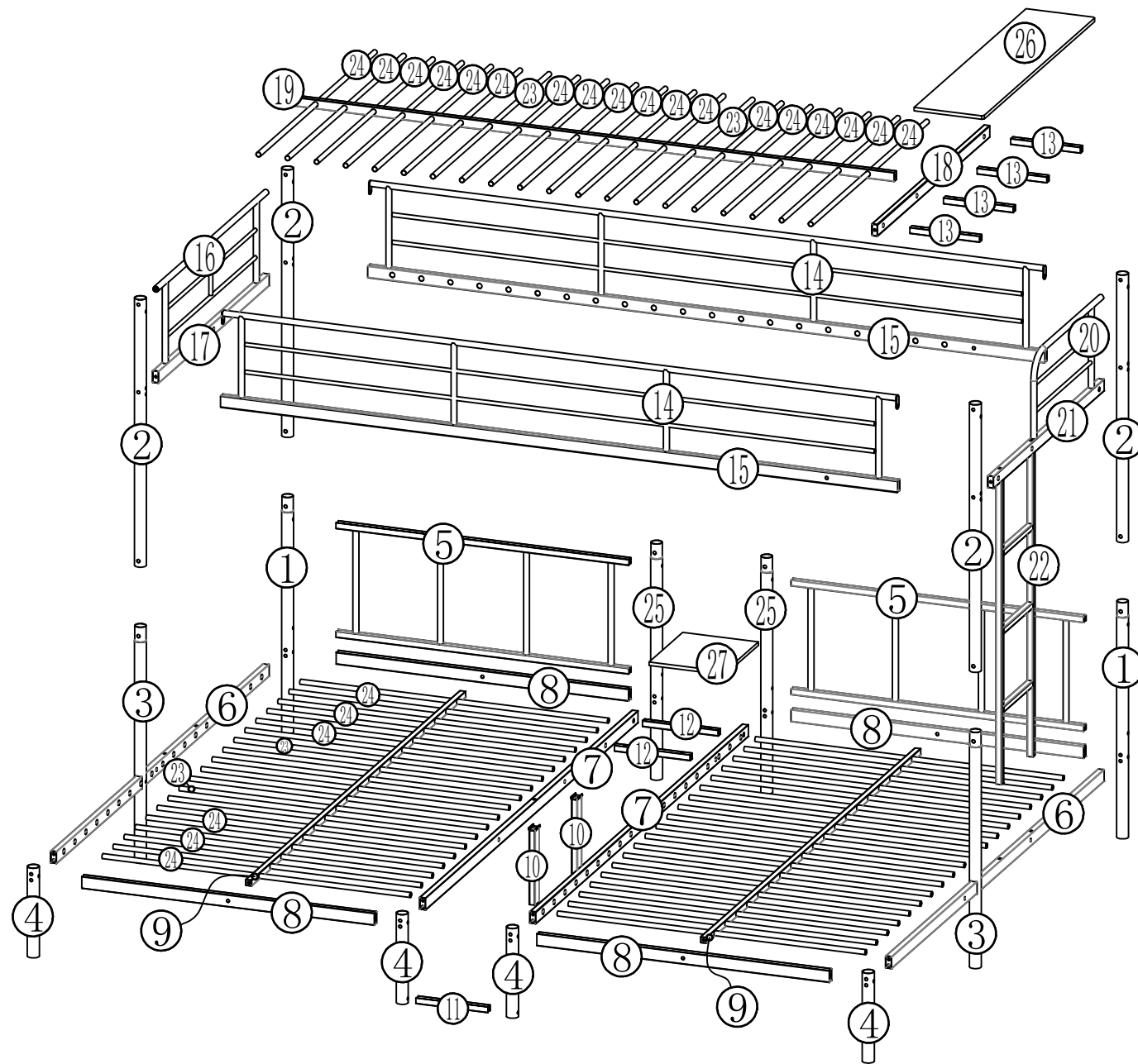
Down bed	Length	Width	Thickness
Mattress type Twin Standard	74"-75"	38-39"	8"
Up bed (bunk bed and tribed included)	Length	Width	Thickness
Mattress type Twin XL Standard	79"-80"	38-39"	6"Max

18. SURFACE OF MATTRESS MUST BE AT LEAST 5"(127MM) BELOW THE UPPER EDGE OF GUARDRAILS.

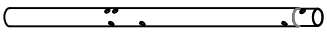
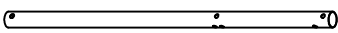
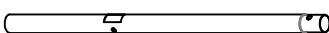

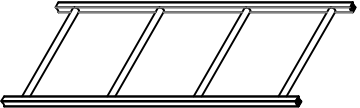




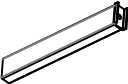
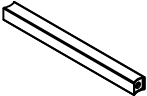
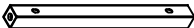
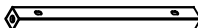


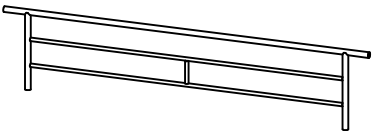



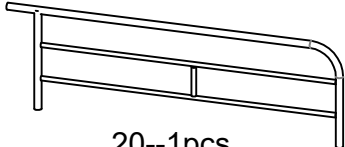



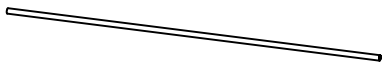



19. Replacement Parts:

Replacement Parts, including additional guardrails, may be obtained from any of our (**Shenzhen Yuefeng Zhiqi Technology Co., Ltd**) dealers.








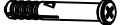



Bed parts view



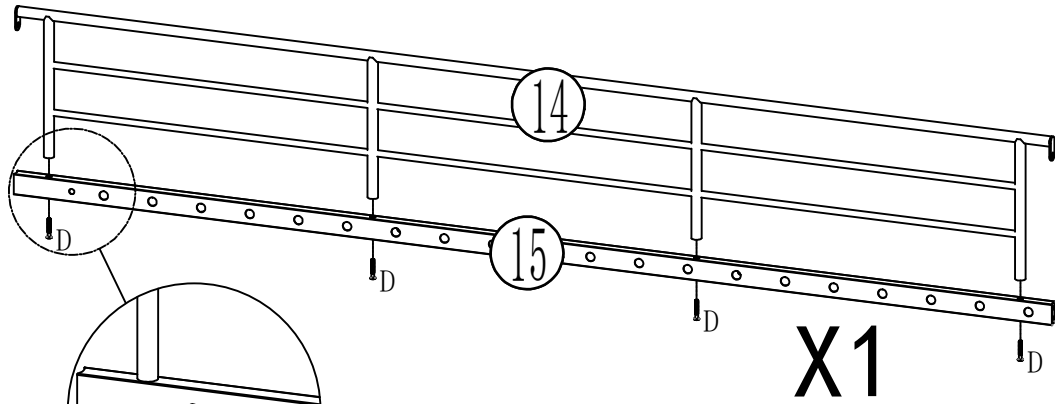
Part List

 1--2pcs	 2--4pcs	 3--2pcs	 4--4pcs	 5--2pcs
 6--2pcs	 7--2pcs	 8--4pcs	 9--2pcs	 10--2pcs
 11--1pcs	 12--2pcs	 13--4pcs	 14--2pcs	 15--2pcs
 16--1pcs	 17--1pcs	 18--1pcs	 19--1pcs	 20--1pcs
 21--1pcs	 22--1pcs	 23--6pcs	 24--52pcs	 25--2pcs
 26--1pcs			 27--1pcs	

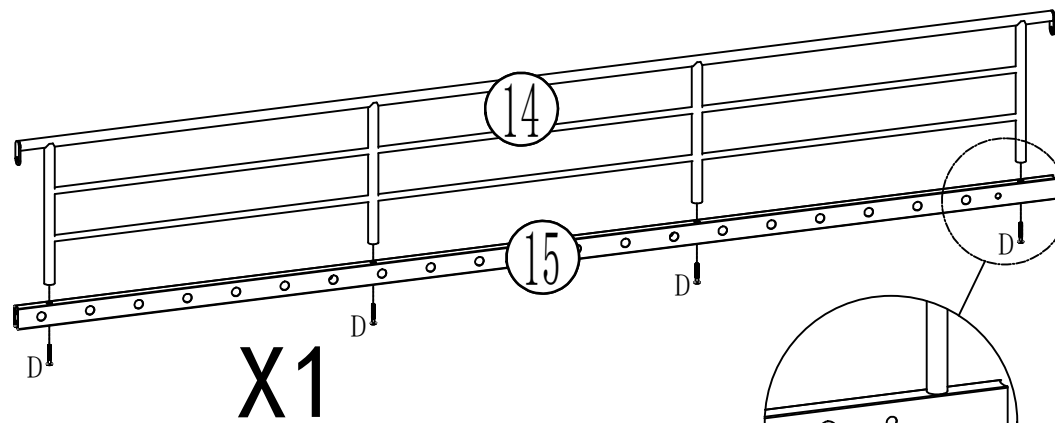
Hardware List

 A 8*30--4PCS	 B 8*15--2PCS	 C 8*35--24PCS	 D 8*55--67PCS	 E 6*25--12PCS	 F 8*15--8PCS	 R 4*25--12PCS	 T--4PCS	 U--2PCS	 M	 L
--	--	---	---	---	--	---	--	--	--	--

Step 1:

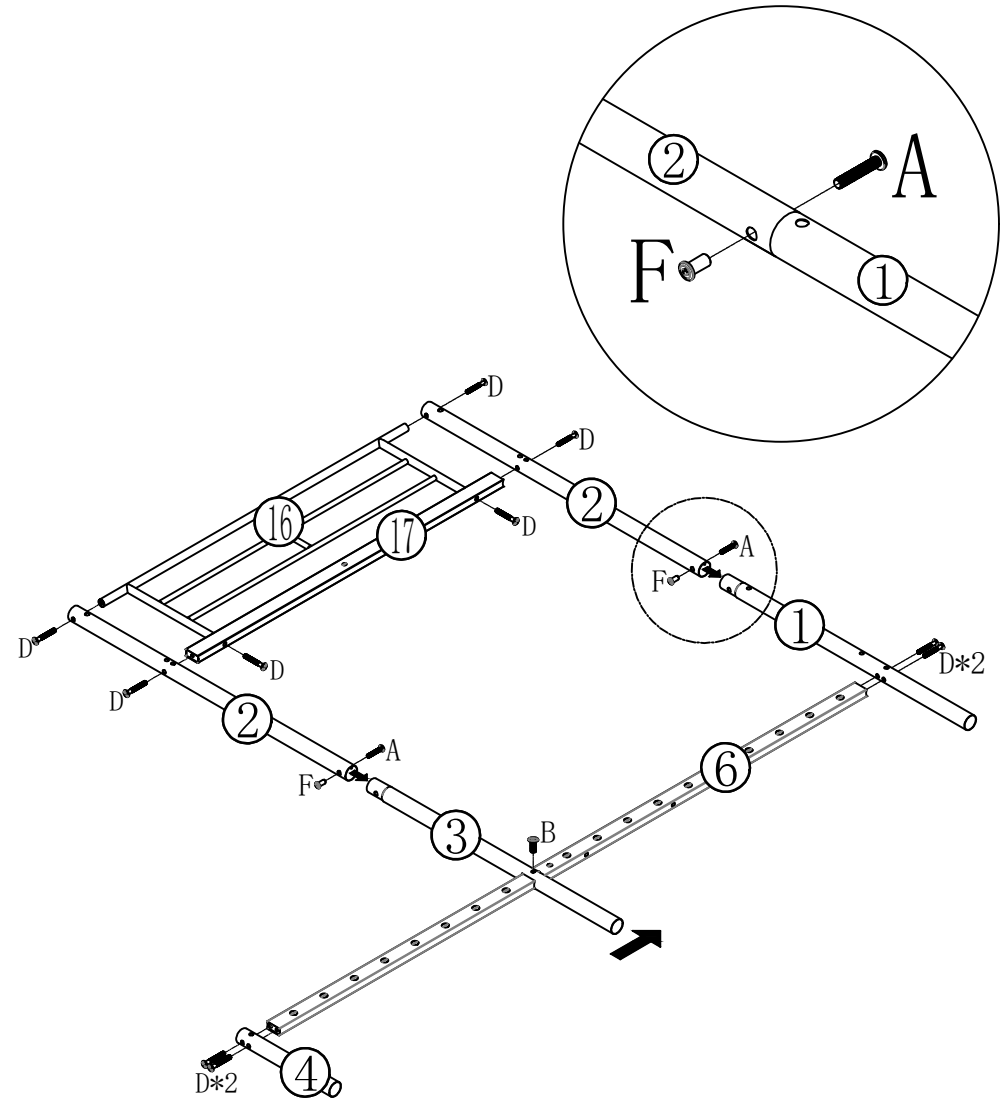


This hole is on the left end



This hole is on the right end

Step 2:



D
8*55-8PCS



L



A
8*30-2PCS



B
8*15-1PCS



D
8*55-10PCS

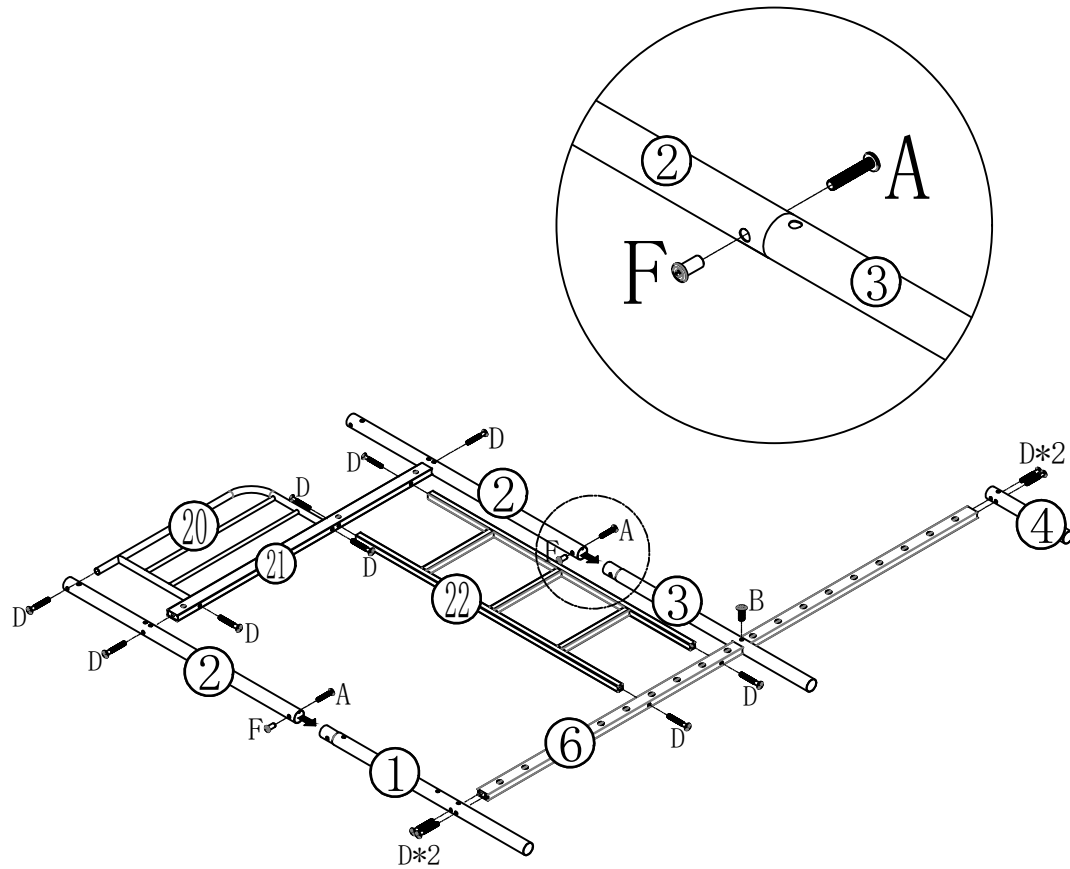


F
8*15-2PCS

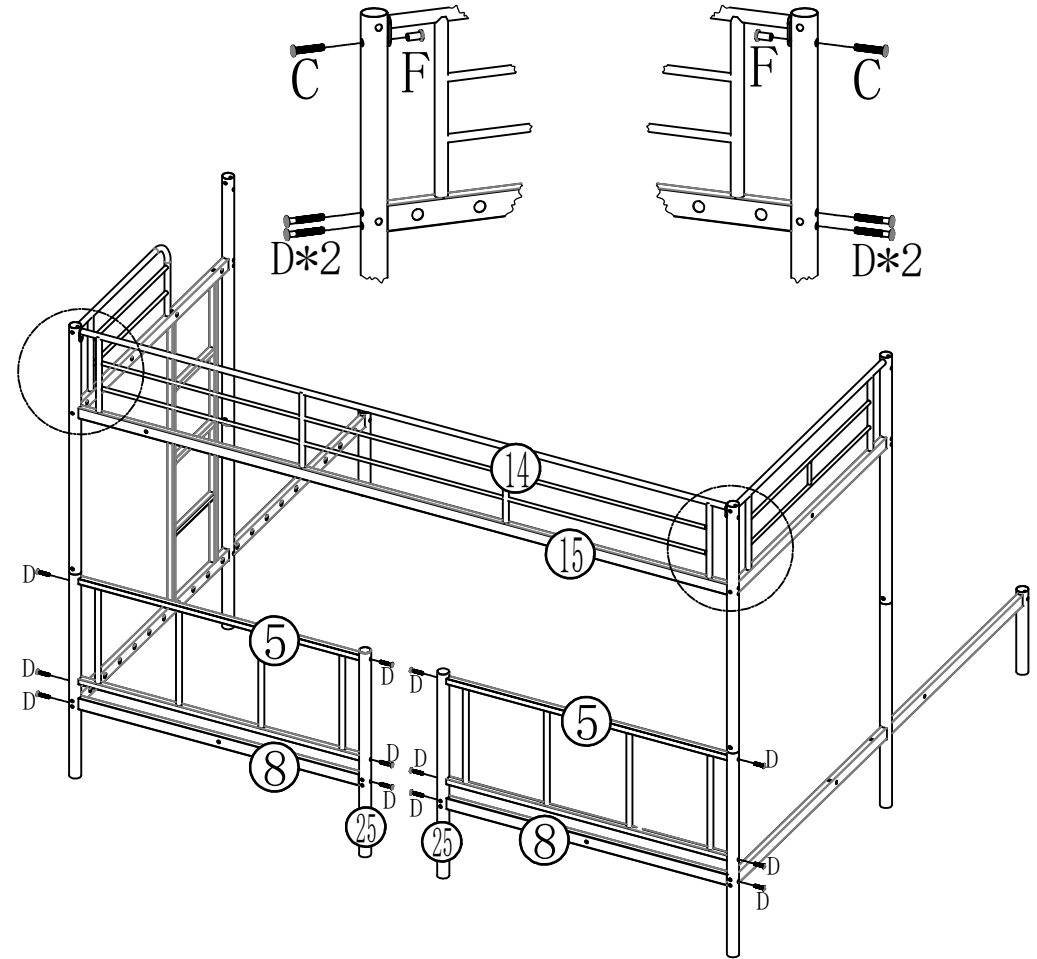


L

Step 3:



Step 4:



A
8*30-2PCS



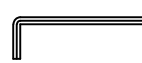
B
8*15-1PCS



D
8*55-13PCS



F
8*15-2PCS



L



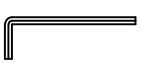
C
8*35-2PCS



D
8*55-16PCS

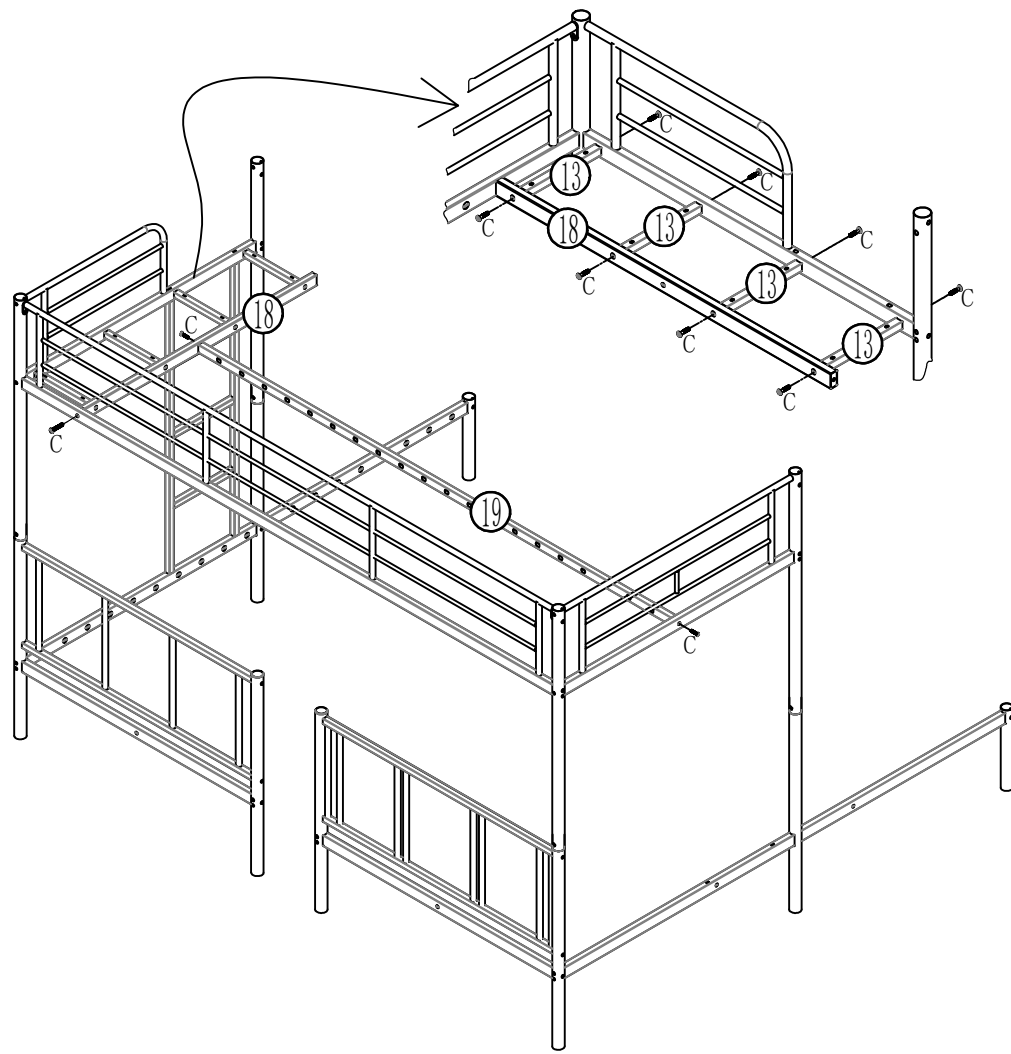


F
8*15-2PCS

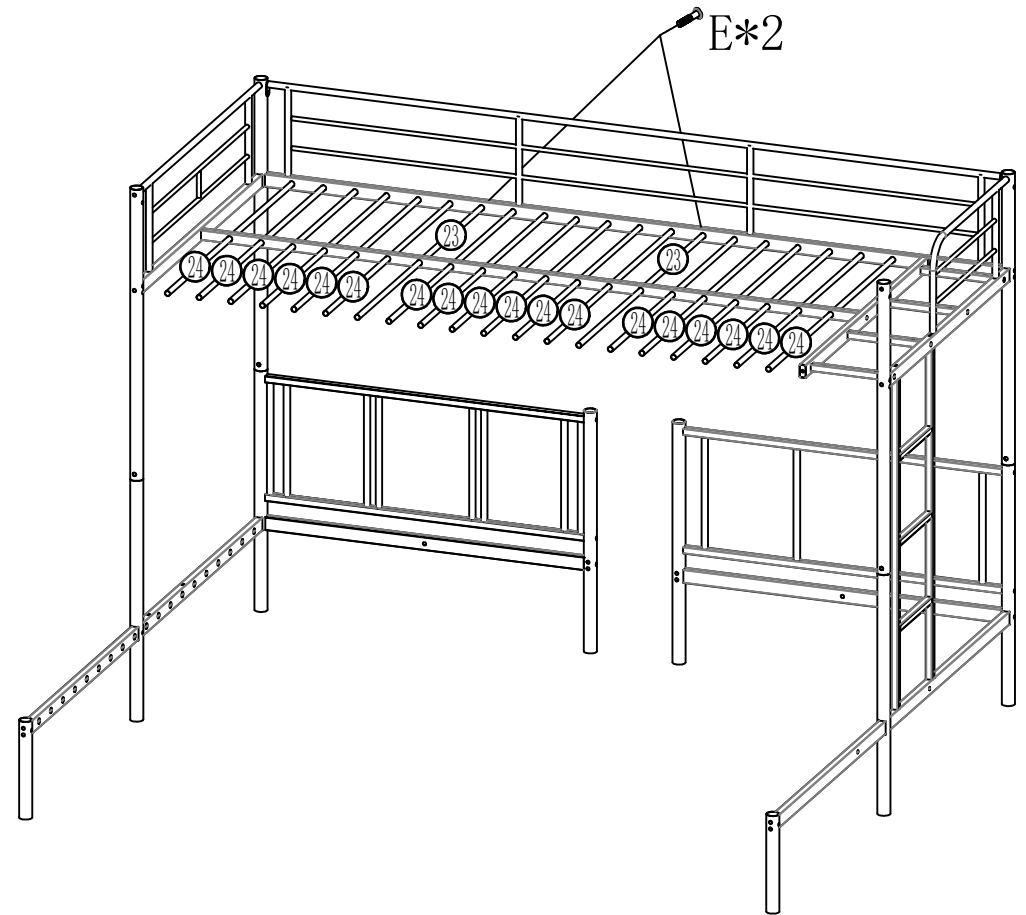


L

Step 5:



Step 6:



C
8*35-11PCS



L

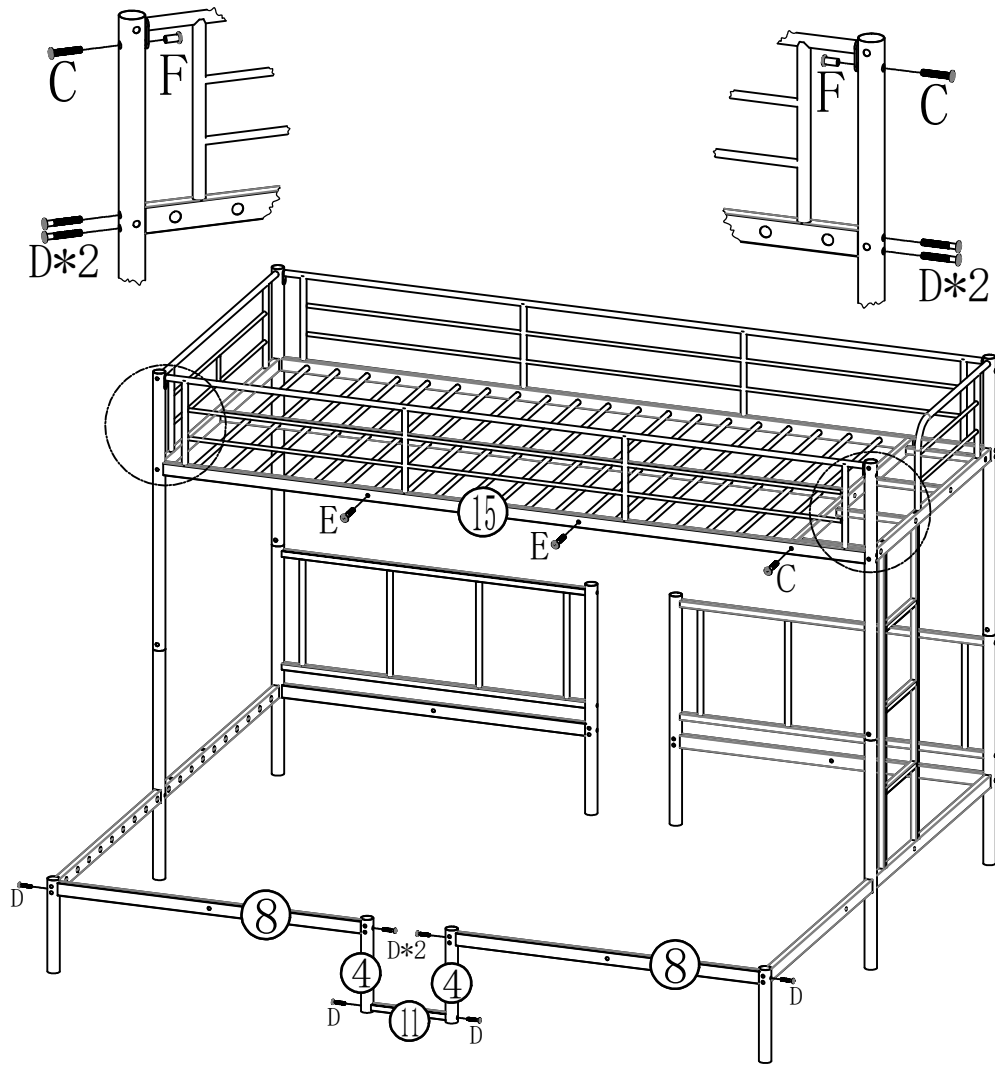


E
6*25-2PCS

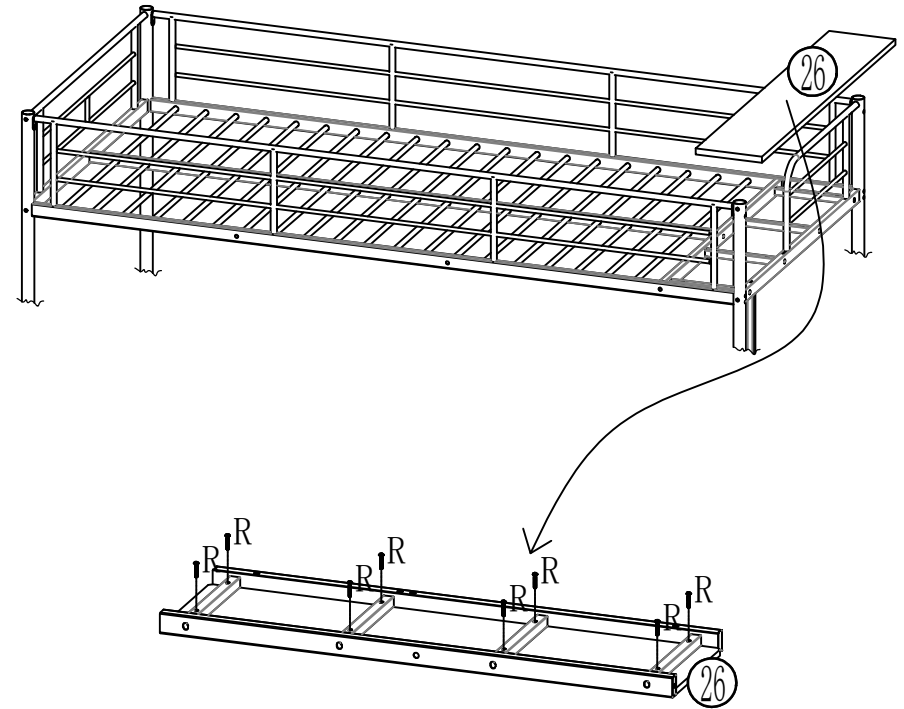


L

Step 7:



Step 8:



C
8*35-3PCS



D
8*55-10PCS



E
6*25-2PCS



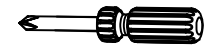
F
8*15-2PCS



L

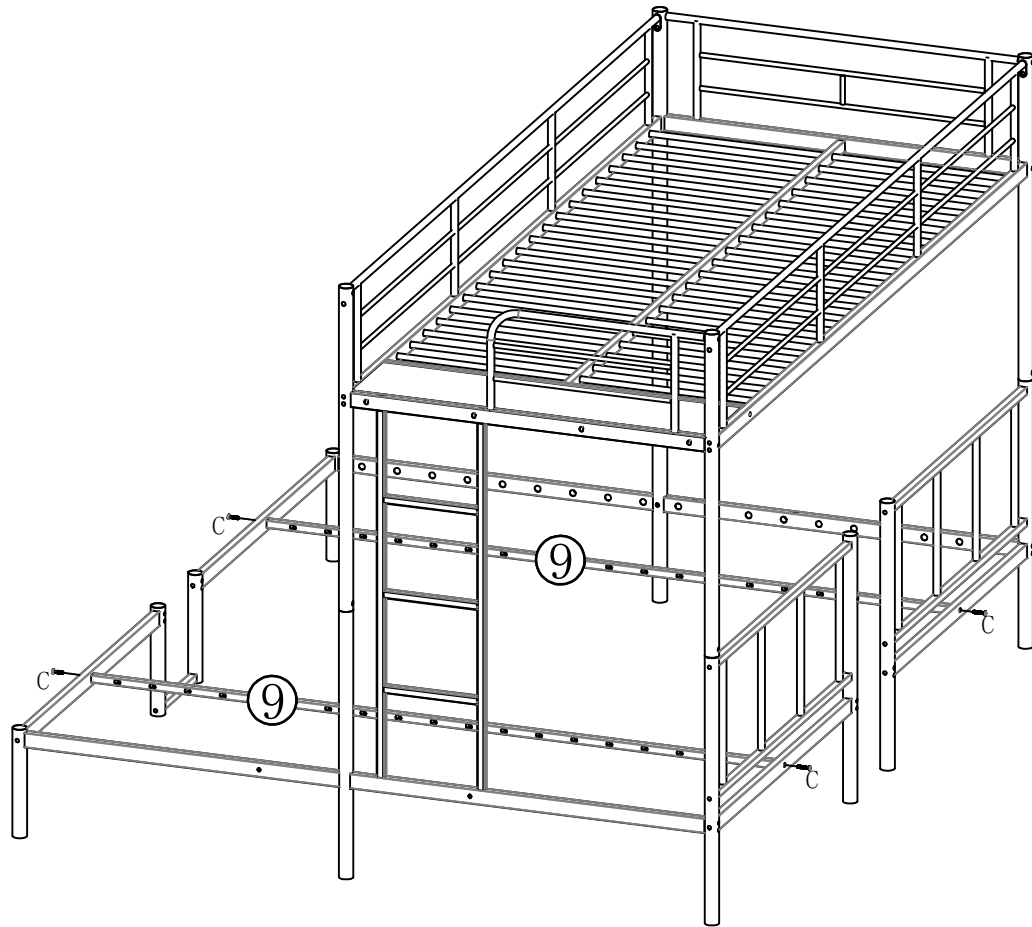


R
4*25-8PCS



M

Step 9:

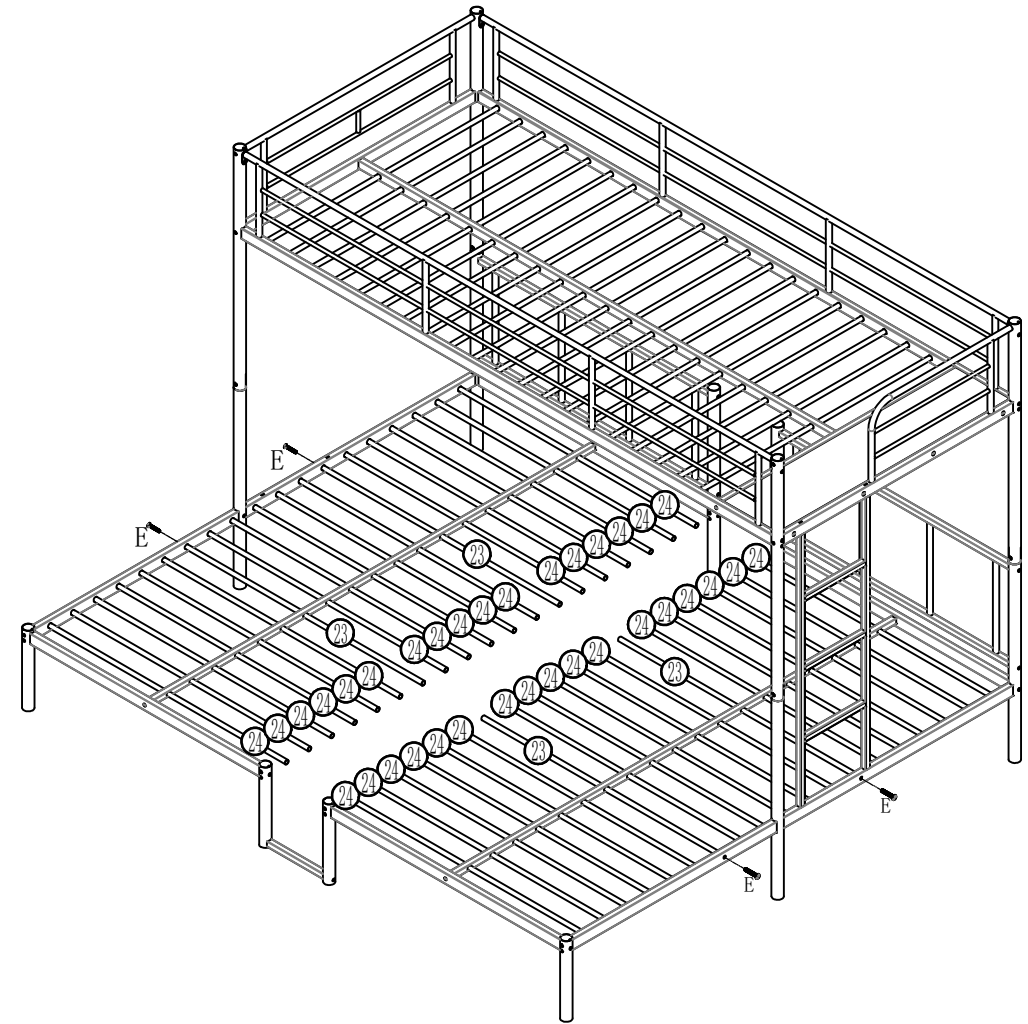


C
8*35-4PCS



L

Step 10:

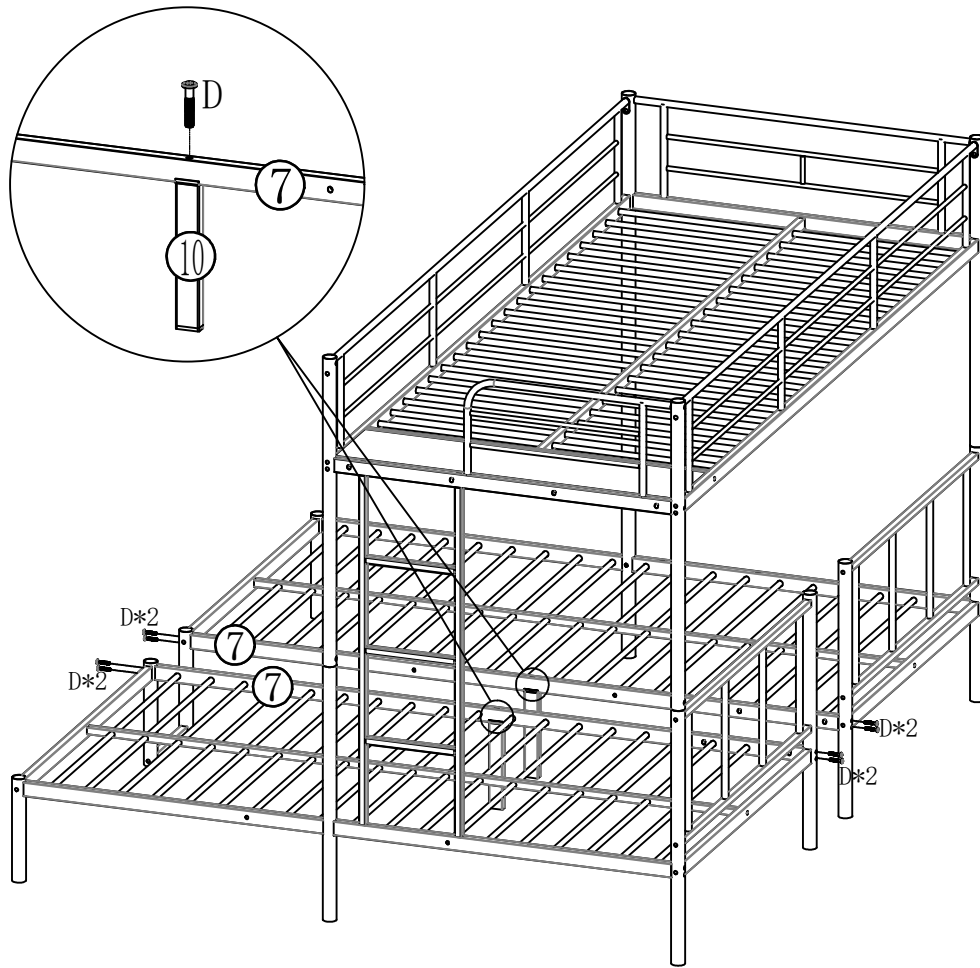


E
6*25-4PCS

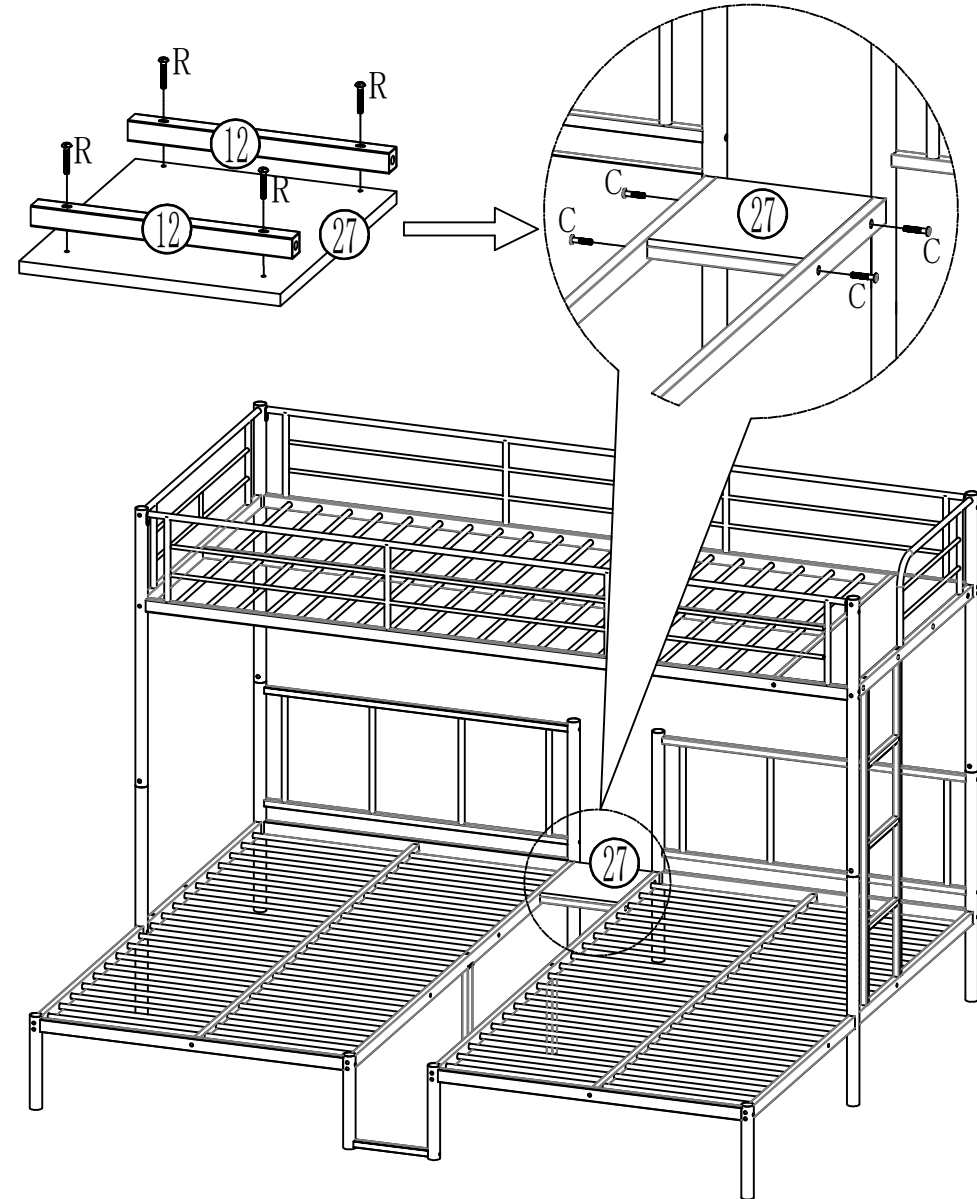


L

Step 11:



Step 12:



D
8*55-10PCS



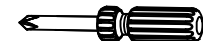
L



R
4*25-4PCS



C
8*35-4PCS

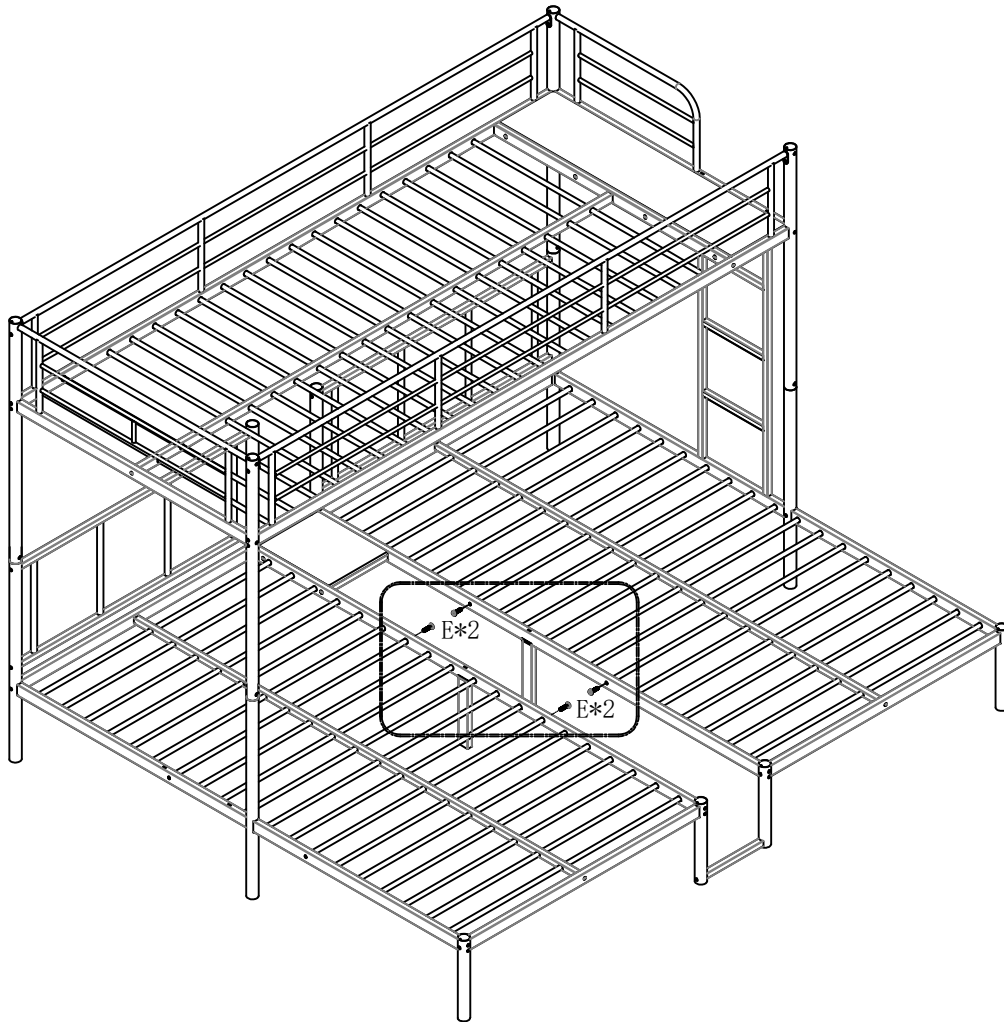


M



L

Step 13:



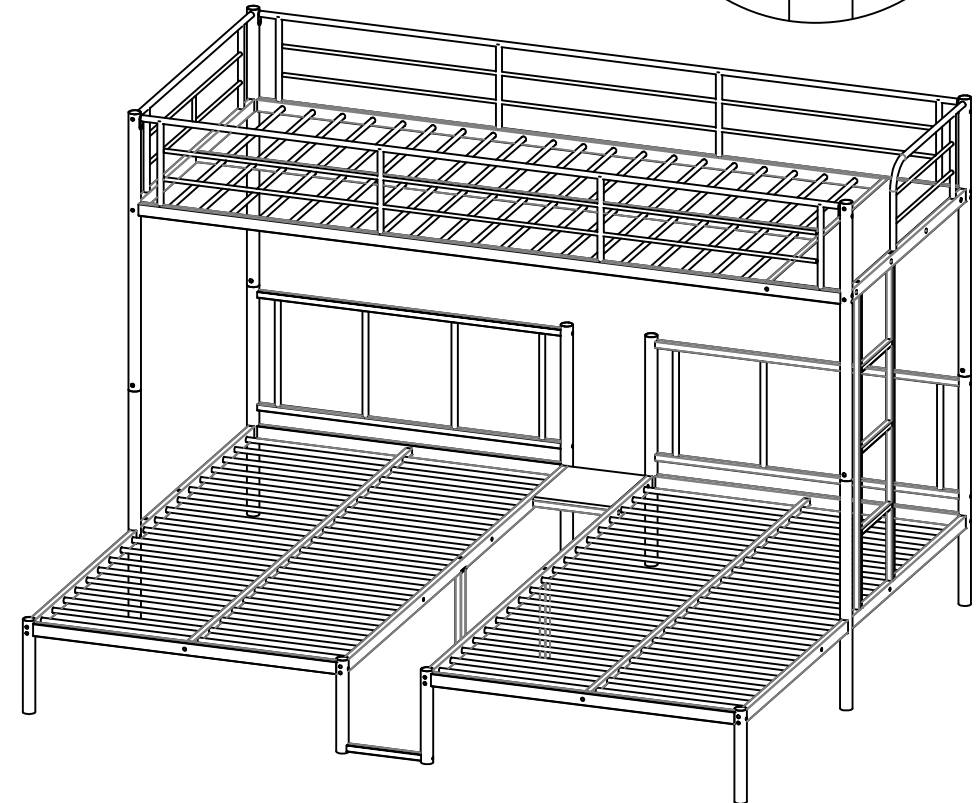
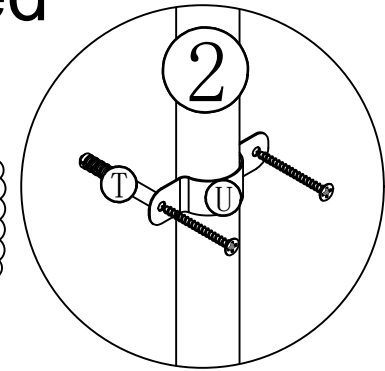
E
6*25-4PCS



L

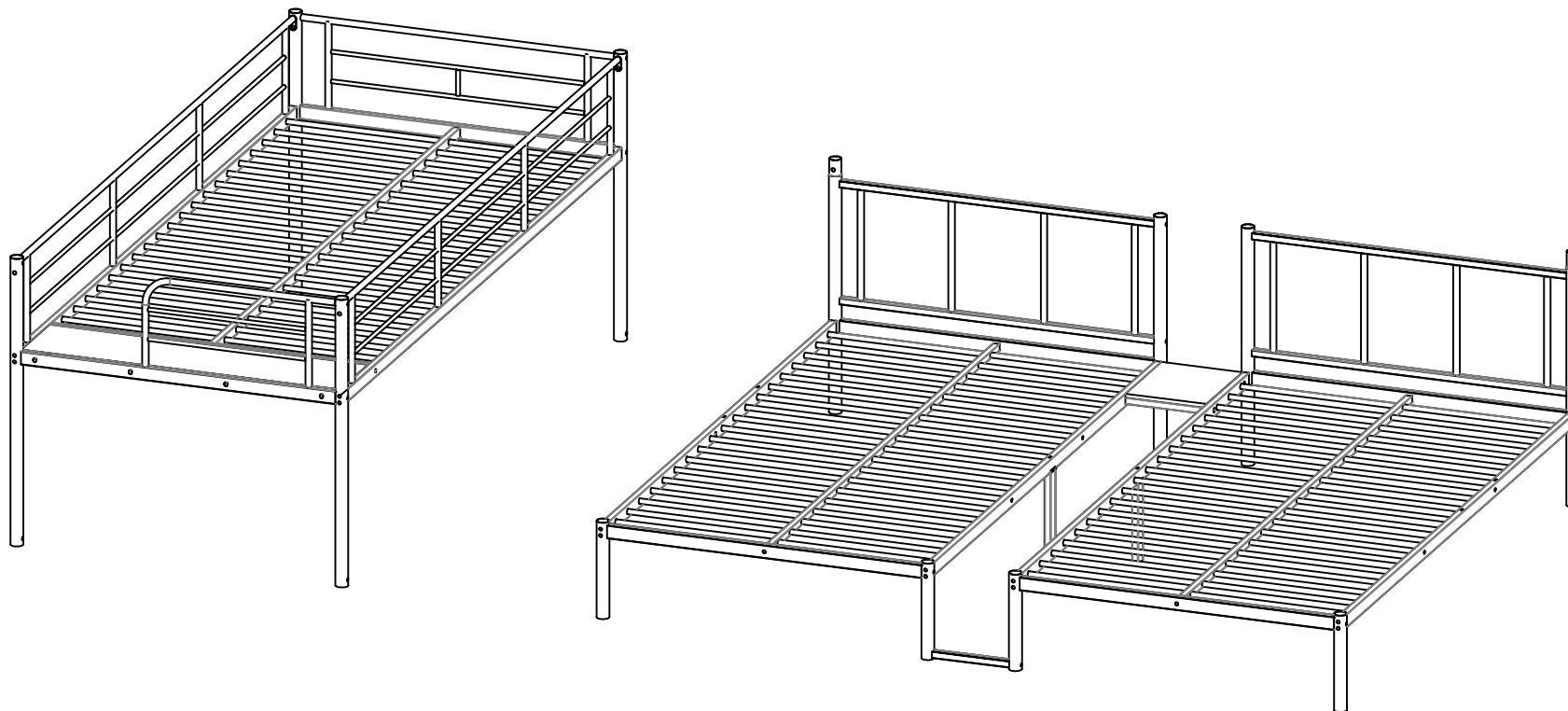
Completed

Tips: If you feel that the bed is a little wobbly then please use the parts "U" and "T" for reinforcement



Attention Please tighten all screws before use, thank you.

Completed



1. To divide this bed frame into three independent beds, remove the screws on the connecting columns.
2. Please keep the screws properly for reassembling the three separate bed frames into a single unit later.