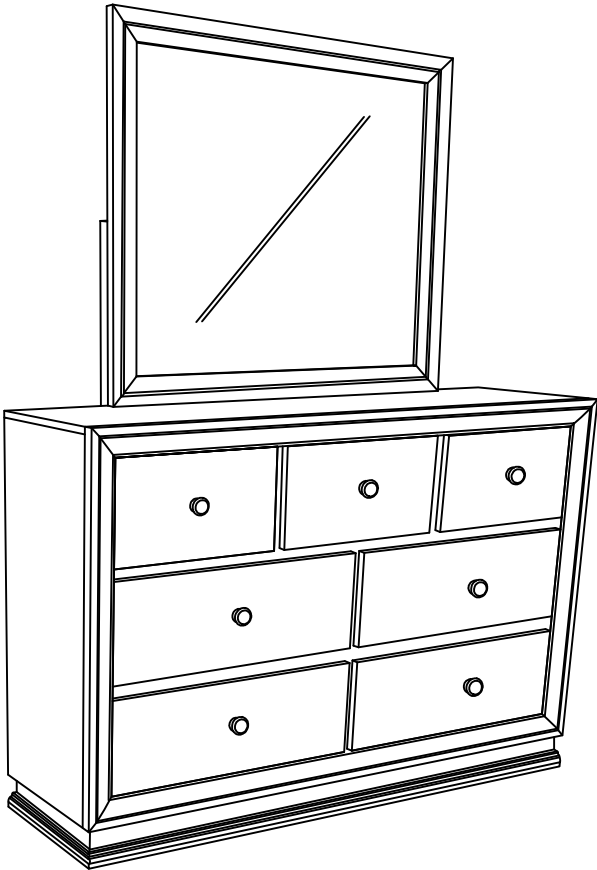


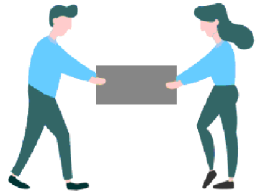
ASSEMBLY INSTRUCTIONS



TOOLS REQUIRED

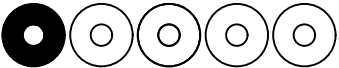


Phillips
Screwdriver



2 – Persons
Recommended

ASSEMBLY RATING



EASY ————— DIFFICULT

The Assembly Rating is a 5-point system showing the level of effort needed to assemble a specific product.



CHECK BEFORE STARTING



Are you missing anything?

Double-check all parts, hardware and accessories listed on Page 6 are accounted for.



Check out our Quick Tips!

We recommend reviewing the pre-assembly handouts. Even experts need a refresher now and then!



Should we send any replacements?

Are there any irregularities or flaws in the parts? We can send replacements!



Prep Time!

Please review the assembly instructions and all diagrams prior to assembling. Set up your workspace by laying the parts and hardware out separately, then begin!

PRE ASSEMBLY INTRODUCTION

We understand building ready-to-assemble furniture can be a challenging experience for some. To help avoid confusion, we have provided some helpful tips that may speed up the process.



Teamwork

ALWAYS have at least two people to help with transporting and assembling the product to avoid potential injury and/or damage.



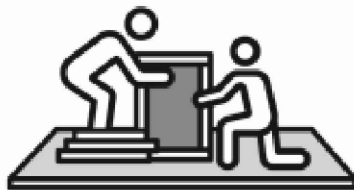
Suitable Location

Assembling near the area of the intended location is highly recommended.



Sufficient Space

Make sure you have enough space to move around during the assembly.



Avoid Scratches

Use cardboard, blankets or a carpeted area while assembling furniture to prevent scratches.



Flat Surface

Make sure the furniture rests on a flat and level surface with each leg evenly touching the floor.

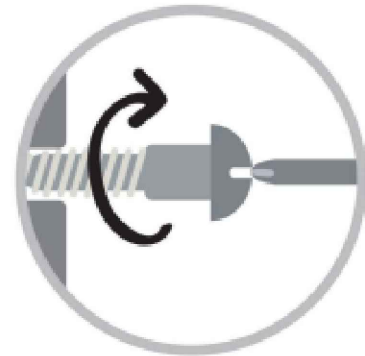
ASSEMBLY AND CARE ADVICE



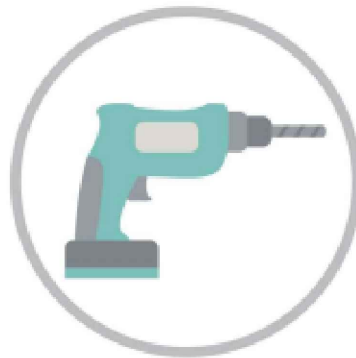
FAILURE TO FOLLOW THE GUIDELINES BELOW MAY RESULT IN INJURY AND/OR PROPERTY DAMAGE.



Position each part correctly and insert screws or bolts into their respective holes.



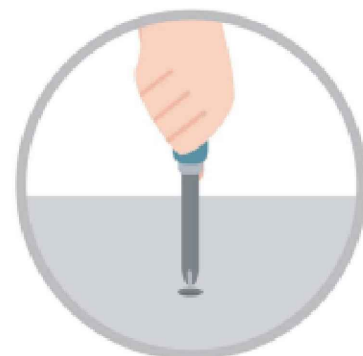
Turn clockwise to tighten and only tighten when step is completed or when instructed to do so.



Use the appropriate hand tools or power tools for assembly. Select steps, such as tightening screws and/or bolts, may require hand tools to avoid causing damage during assembly.



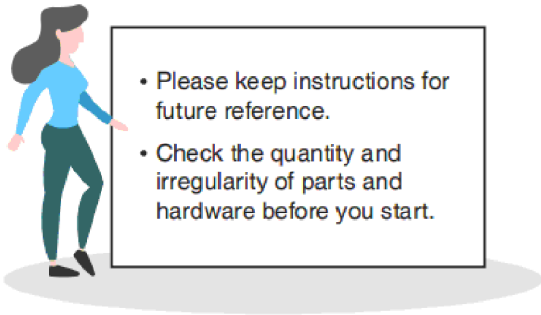
Save the instructions and store any supplied tools for later maintenance.



After two weeks, check and tighten any loose hardware and repeat again every six months thereafter.

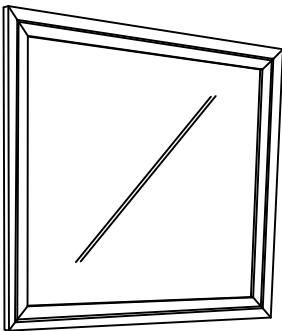
IT IS THE USER'S RESPONSIBILITY TO MAINTAIN THE FURNITURE. THE HARDWARE MAY LOOSEN OVER TIME AND MAY CAUSE THE FURNITURE TO BE WOBBLY AND UNABLE TO SUPPORT ITS INTENDED WEIGHT CAPACITY. THIS MAY LEAD TO COLLAPSE AND MAY CAUSE SERIOUS INJURY.

MIRROR



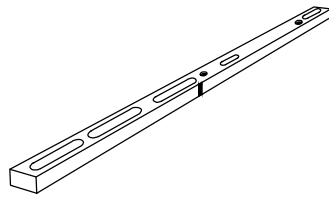
PARTS

① 1pc



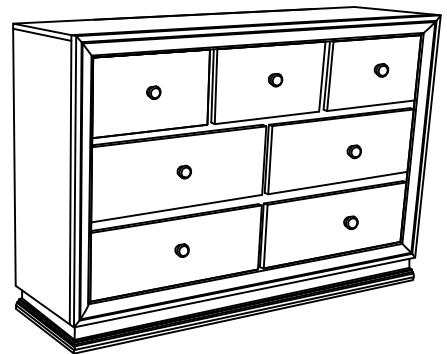
Mirror

② 2pcs



Mirror Support
890mm x 30mm x 18mm

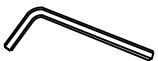
③ 1pc



Dresser

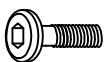
HARDWARE

Ⓐ 1pc



Allen Key M4

Ⓑ 8pcs



Bolt 1/4" x 1 3/8"

Ⓒ 8pcs



Lock washer

Ⓓ 8pcs



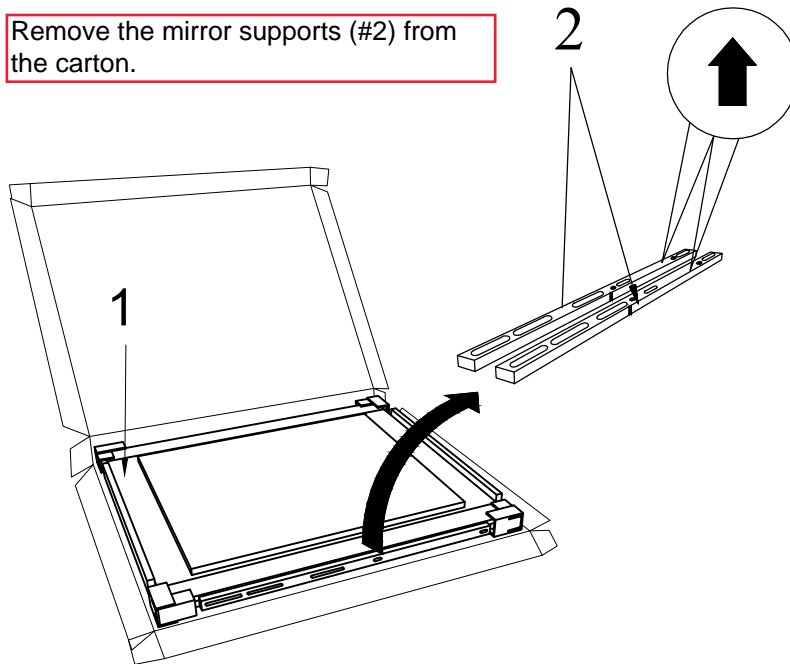
Flat washer

ASSEMBLY INSTRUCTIONS

1

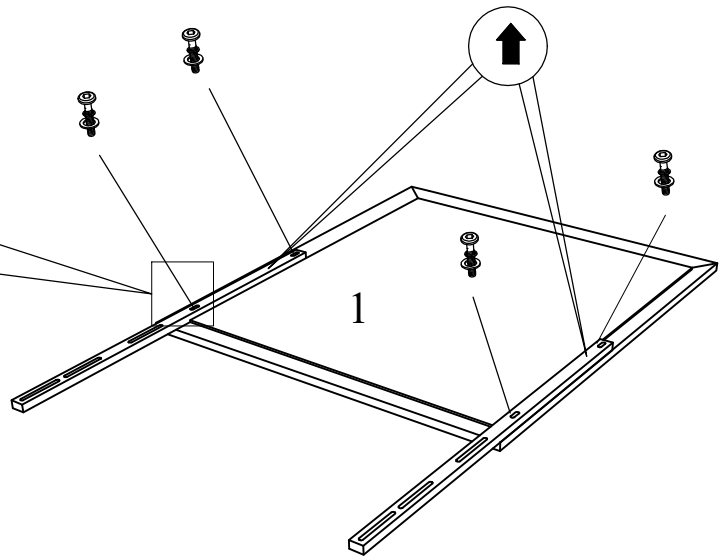
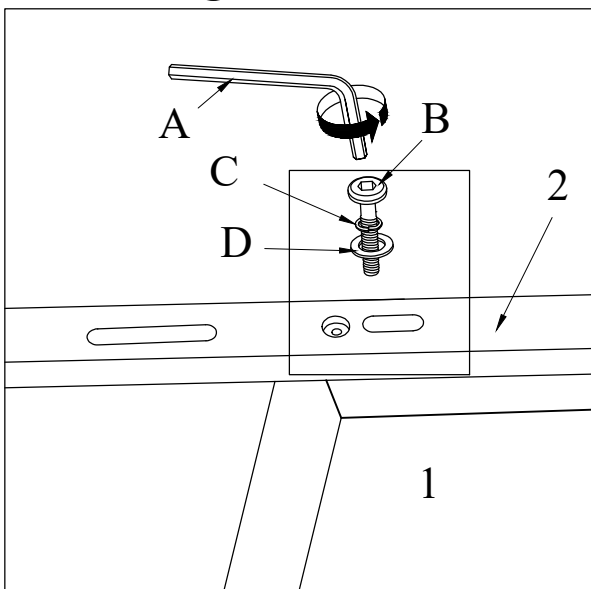
- Part ① x1pc
- Part ② x2pcs

Remove the mirror supports (#2) from the carton.



2

- Part ① x1pc
- Part ② x2pcs
- Hardware ⑥ x4pcs
- Hardware ⑦ x4pcs
- Hardware ⑧ x4pcs



****BACK VIEW**

Align the mirror supports (#2) to the back of the mirror (#1) and secure by using Bolt assembly of bolt (#B) with lock washer (#C) and flat washer (#D).

ASSEMBLY INSTRUCTIONS

3

Part ① x1pc

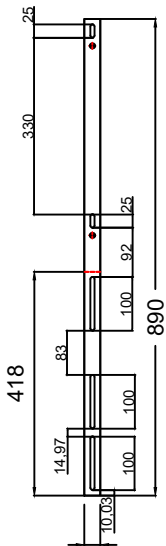
Part ③ x1pc

Hardware ⑥ x4pcs

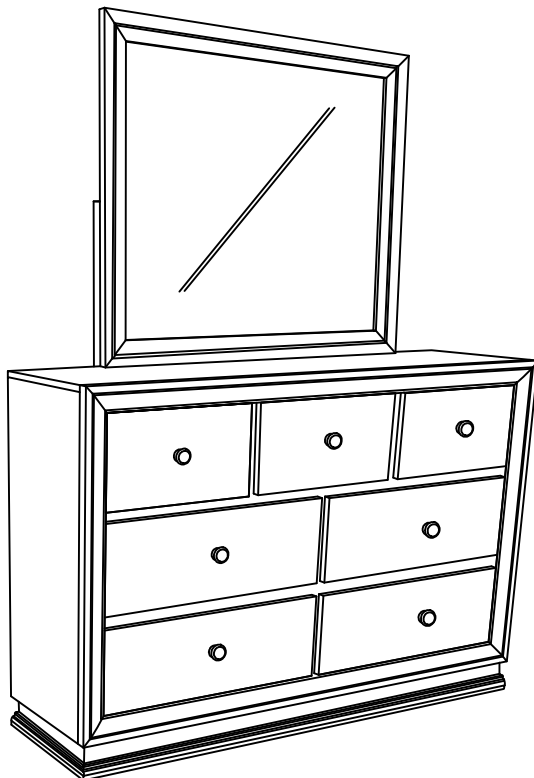
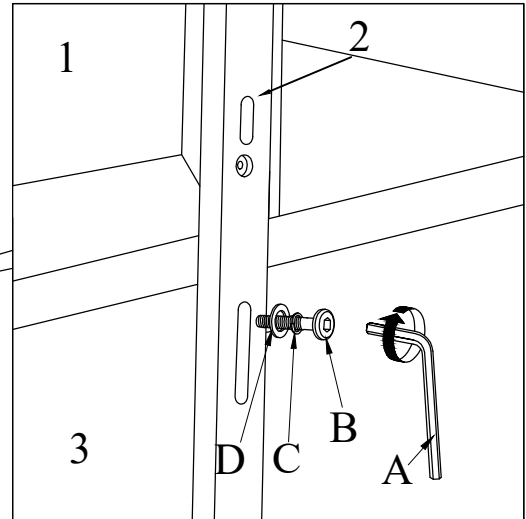
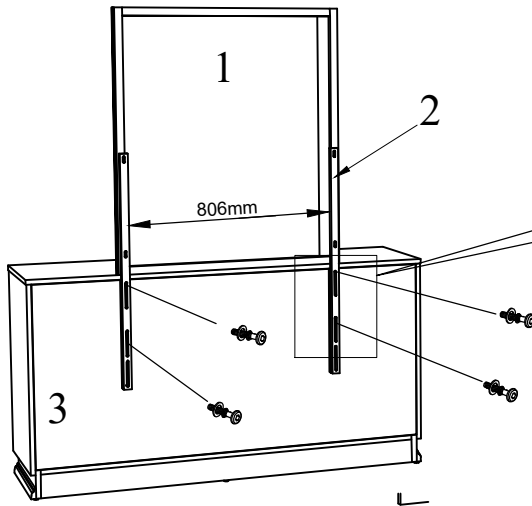
Hardware ⑦ x4pcs

Hardware ⑧ x4pcs

Align the bottom section of the mirror supports (#2) to the dresser (#3) and secure by using Bolt assembly of bolt (#B) with lock washer (#C) and flat washer (#D).



30



ASSEMBLY COMPLETED



Please ensure the furniture rests on an even and flat surface. If the product wobbles or feels loose, double-check all bolts and/or screws are properly tightened and secured.

✓ Keep this handy!

Please retain this instruction manual and any order-related information for future reference.

✓ Lift, don't drag!

To avoid damage to product please always LIFT the product when transporting or adjusting the placement.

This product is intended for RESIDENTIAL USE ONLY and not for commercial use.