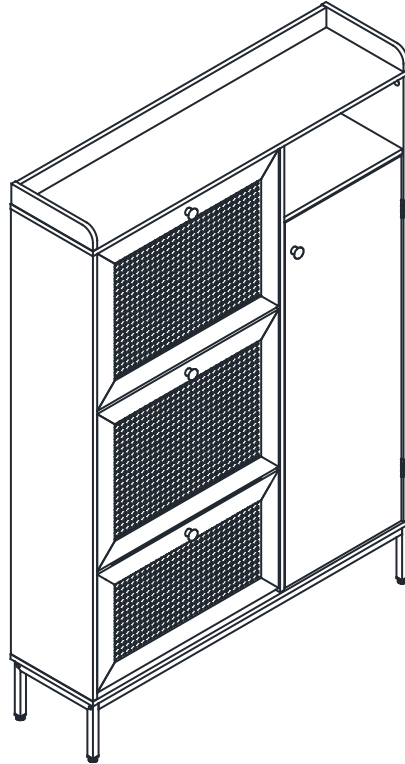


Assembly Instruction



Trouble shooting:

Missing / Wrong / Broken parts and installation issues



Send email with your question pic, order NO. and screenshot of order details to:

support@idealhouse.vip



Respond within 24 hours



Issue resolved

Tips!



1. Check all the components & screws are intact before assembling .
 2. If you notice any pieces are missing or damaged please do not assemble and contact us immediately .
 3. **Please send an email with you order number and issues, we will respond within 24 hours.**
- Customer Service Team: support@idealhouse.vip**

IMPORTANT SAFETY INFORMATION

Please carefully read the following instructions and caution warnings before assembling the product.

Following this guide will ensure that you install, use and maintain the product properly.

Please keep this installation and user manual/instructions for future reference in case you need to disassemble the product.

Never allow children to climb onto the product. Ensure that you have special safety measures when children are around on their own.

Be sure to check that all parts of the product are intact after you open the package.

Do not assemble if you notice serious damage such as cracks or bends.

During installation, please use work gloves for hand safety.

Please assemble the unit on carpeted floor or the flat cardboard box to avoid scratching the surface or your floor while assembling on the floor.

To assemble, please use the complimentary installation tools (Phillips screwdriver). Pay more attention to the direction of components at each steps.

It is recommended that two people work together to assemble the product.

RETURN POLICY

Please contact us directly within 30 days after receiving.

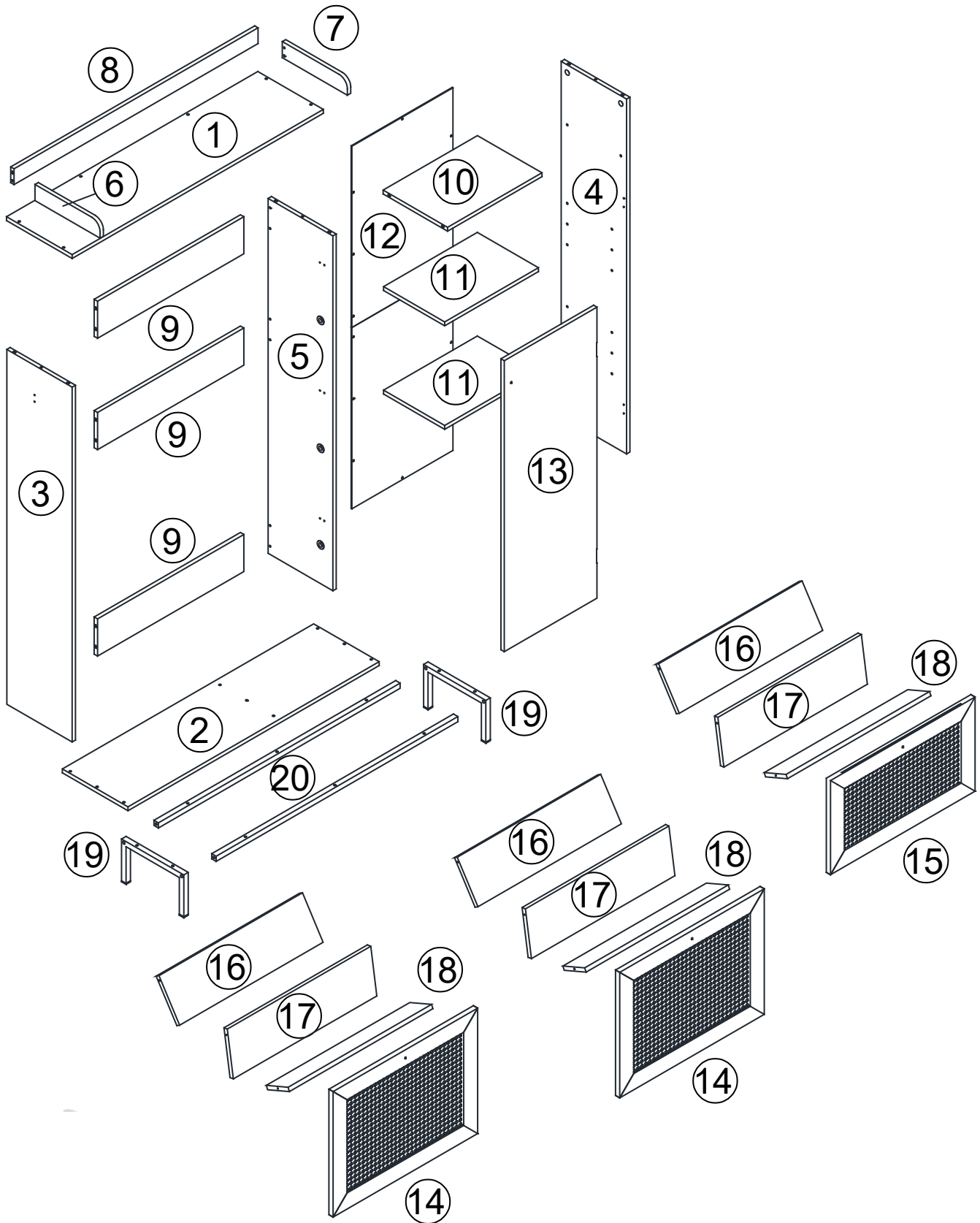
Ensure the product is in a good condition with the original box and all original certificates of purchase, manuals, and accessories attached.

HOW TO MAINTAIN YOUR PRODUCT

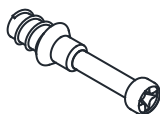



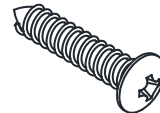

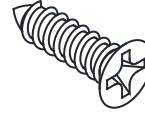
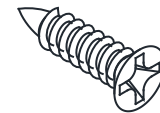

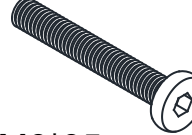



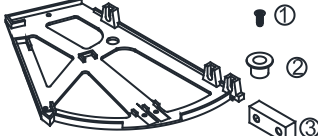
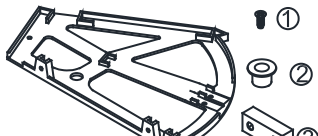

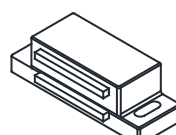




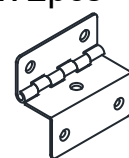

Check the screws of the product are not loose from regular use.

Do not use sharp instruments, rubbing alcohol, corrosive chemicals, or abrasive cleaners to clean the item.

Please check that you have all the parts listed below



Please check that you have all the parts listed below

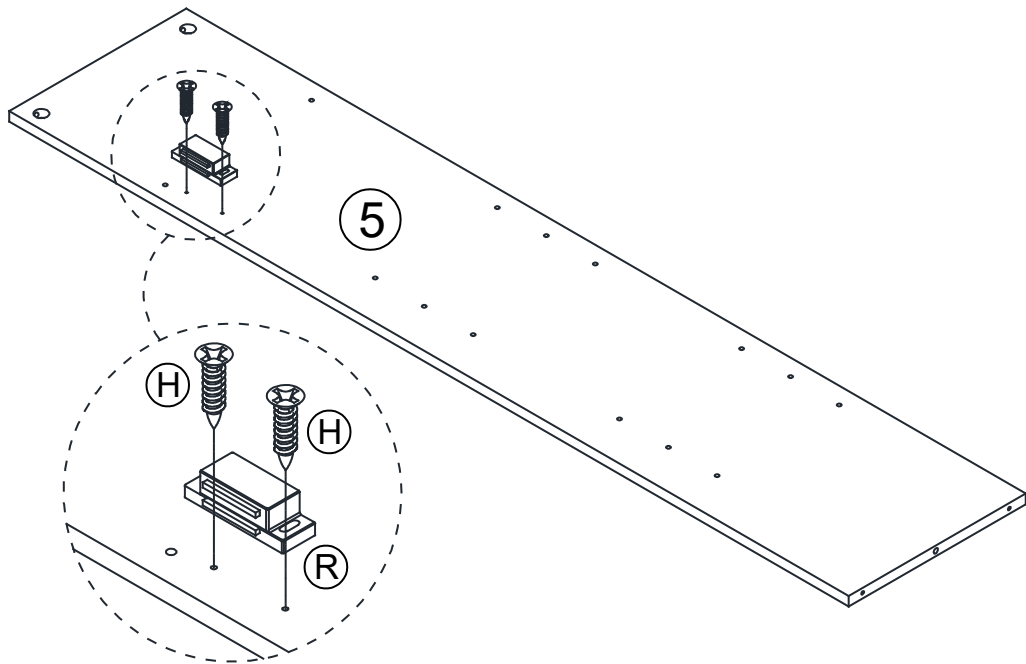
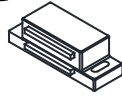
<p>Ⓐ x 24pcs</p>  <p>M6*32mm</p>	<p>Ⓑ x 24pcs</p>  <p>Ø15*9mm</p>	<p>Ⓒ x 24pcs</p>  <p>Ø25mm</p>	<p>Ⓓ x 8pcs</p>  <p>Ø6*30mm</p>
<p>Ⓔ x 12pcs</p>  <p>M5*30mm</p>	<p>Ⓕ x 14pcs</p>  <p>M4*25mm</p>	<p>Ⓖ x 30pcs</p>  <p>M4*15mm</p>	<p>Ⓗ x 20pcs</p>  <p>M3*16mm</p>
<p>Ⓘ x 12pcs</p>  <p>M3*10mm</p>	<p>Ⓙ x 4pcs</p>  <p>M6*35mm</p>	<p>Ⓚ x 14pcs</p>  <p>M4*12mm</p>	<p>Ⓛ x 8pcs</p>  <p>Ø7.5*12+Ø5*9mm</p>
<p>Ⓝ x 12pcs</p>  <p>Ø10*1.5mm</p>	<p>Ⓜ x 4pcs</p> 	<p>Ⓞ x 3pcs</p> 	<p>Ⓟ x 3pcs</p> 
<p>Ⓠ x 2pcs</p>  <p>43*39mm</p>	<p>Ⓡ x 1pcs</p> 	<p>Ⓢ x 1pcs</p> 	<p>Ⓣ x 4pcs</p>  <p>Ø17*8mm</p>
<p>Ⓤ x 4pcs</p>  <p>M4*10mm</p>	<p>Ⓦ x 1pcs</p>  <p>M4*55mm</p>	<p>Ⓧ x 2pcs</p>  <p>L=41mm</p>	<p>96 x 1pcs</p> 

1

(H) x 2pcs

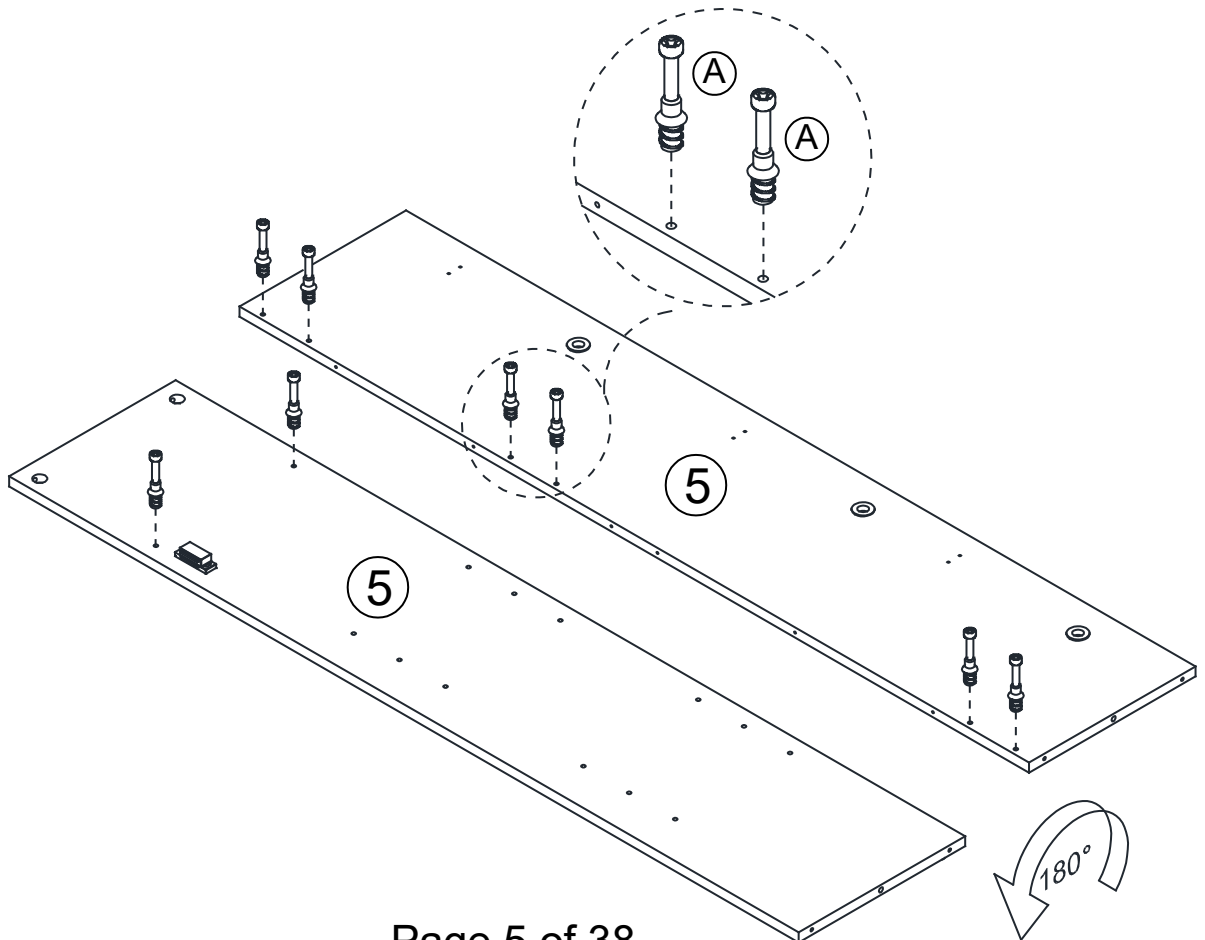
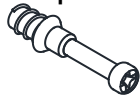


(R) x 1pcs



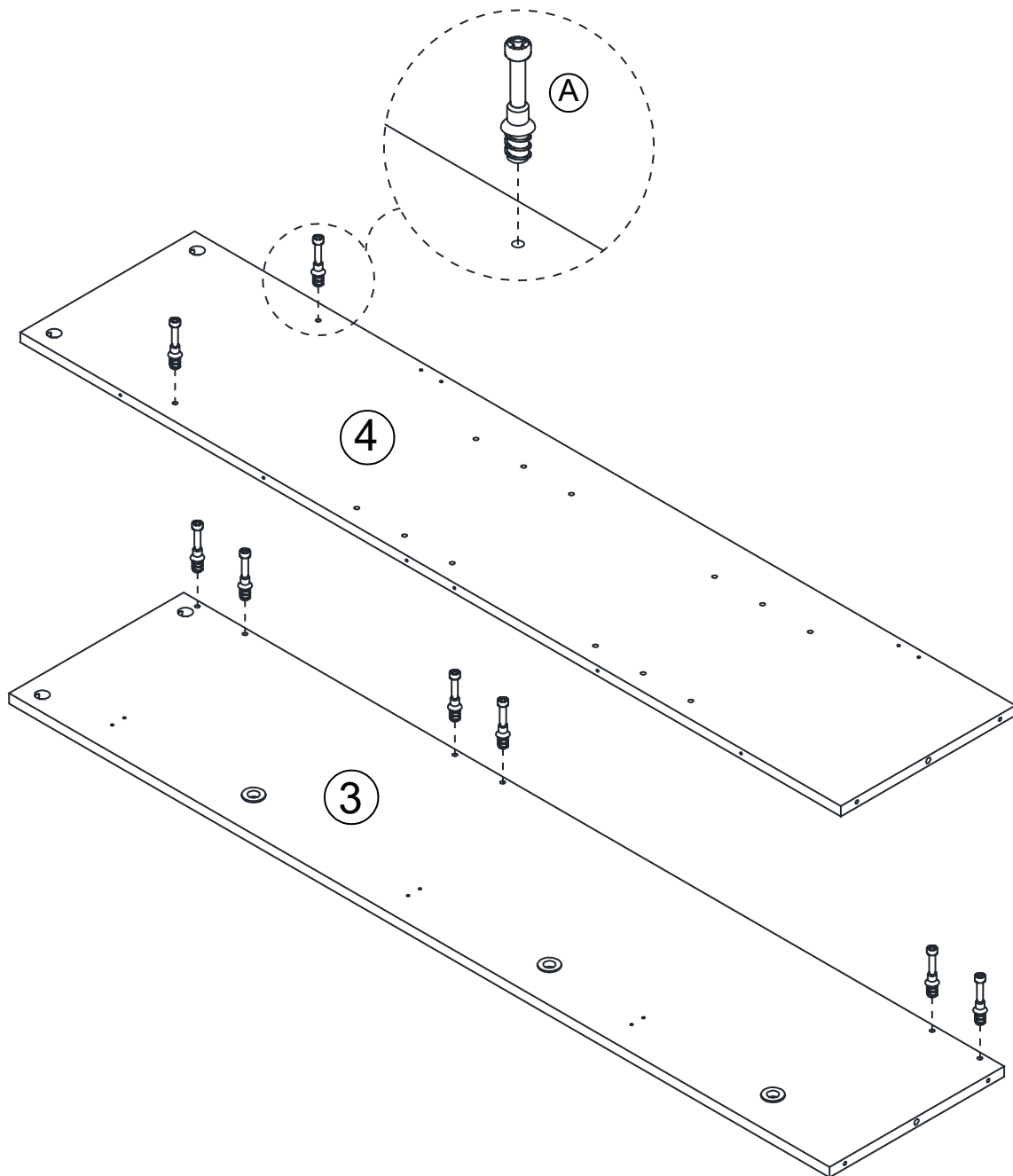
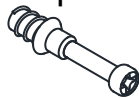
2

(A) x 8pcs



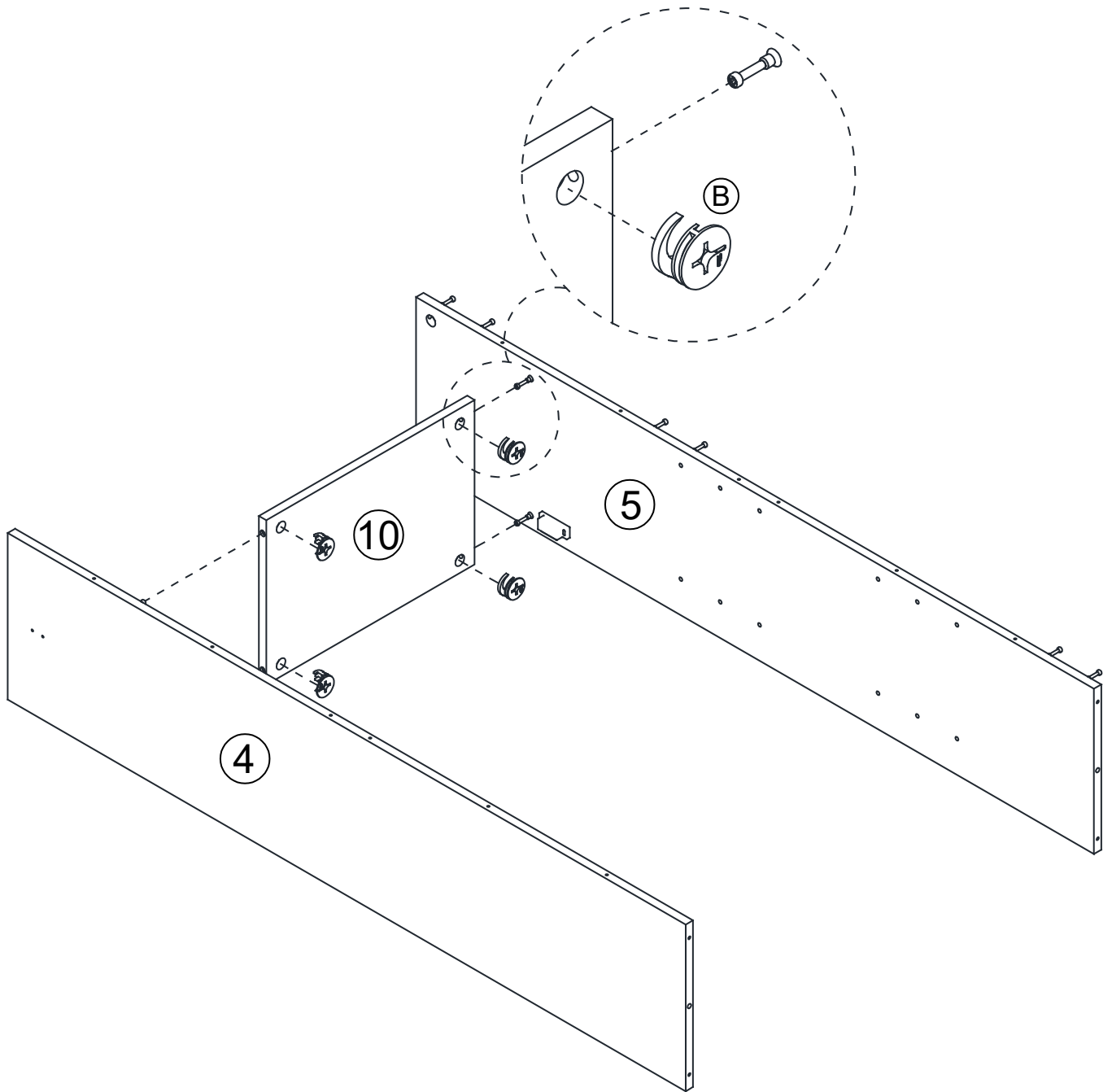
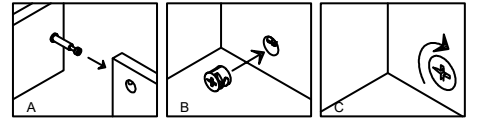
3

(A) x 8pcs



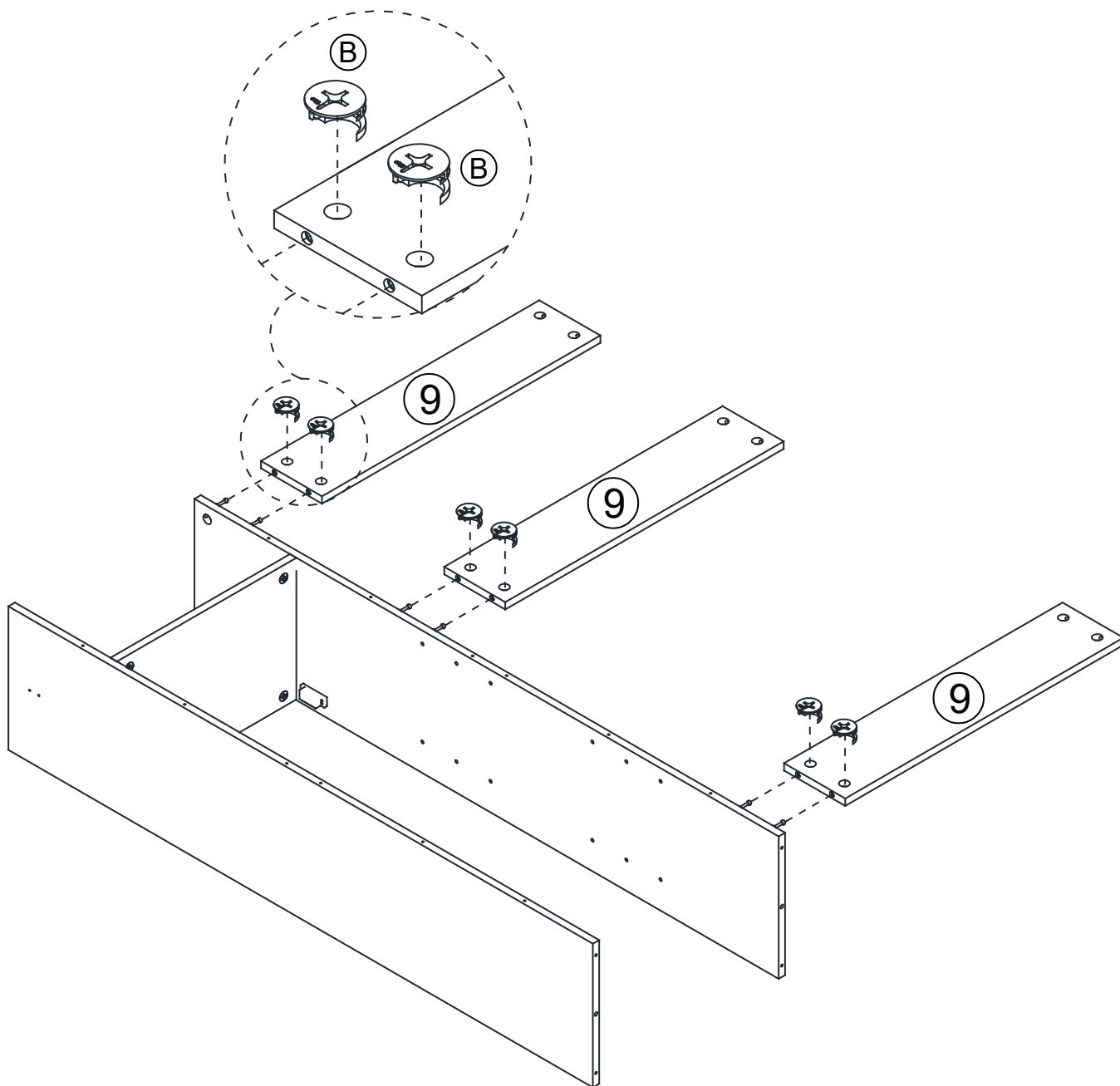
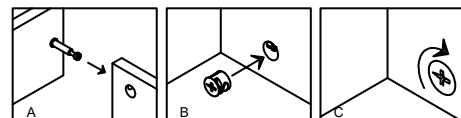
4

(B) x 4 pcs



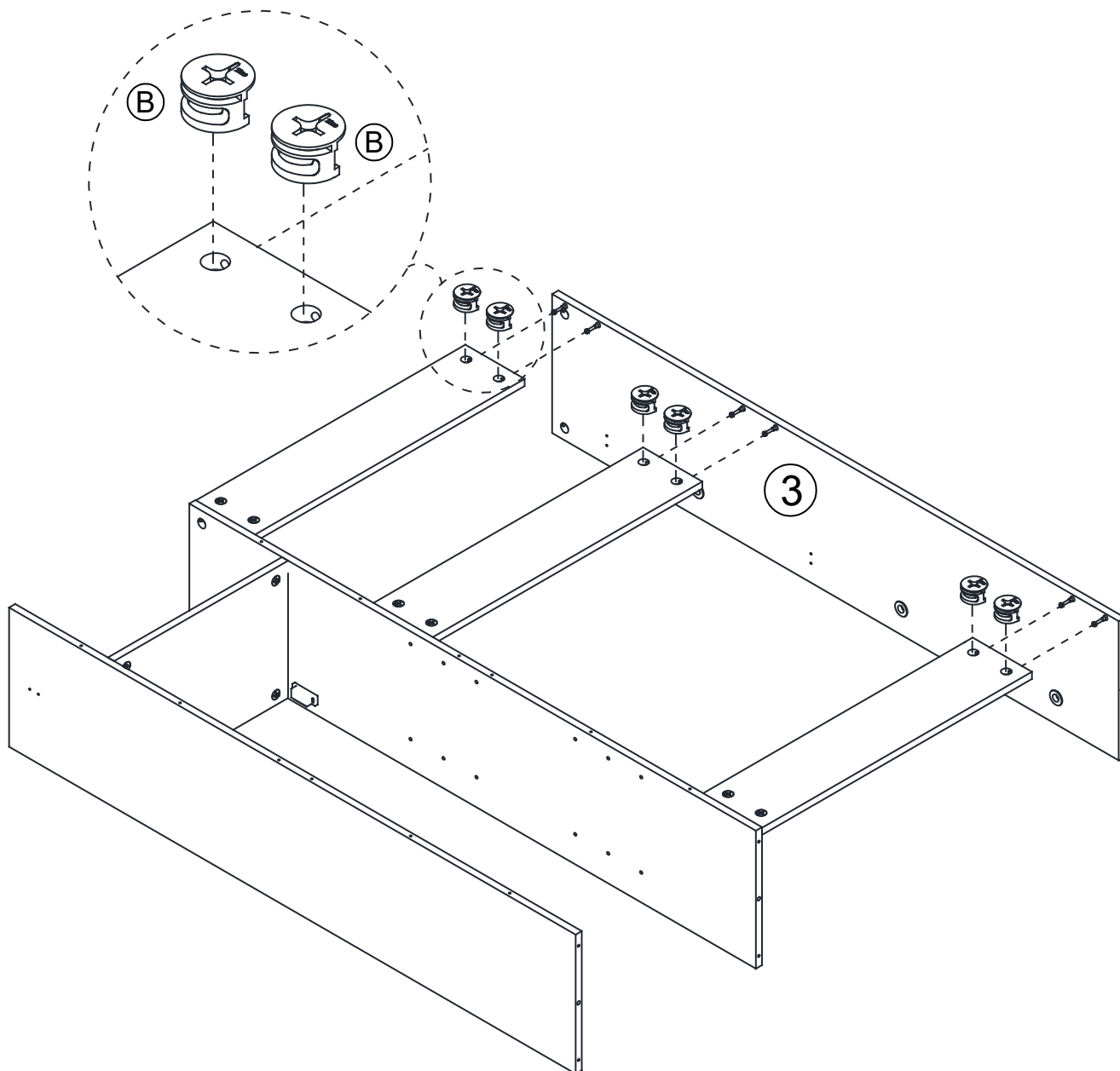
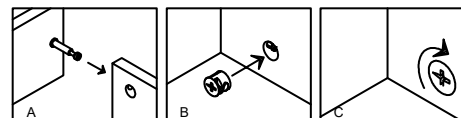
5

(B) x 6pcs



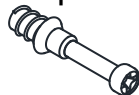
6

(B) x 6pcs

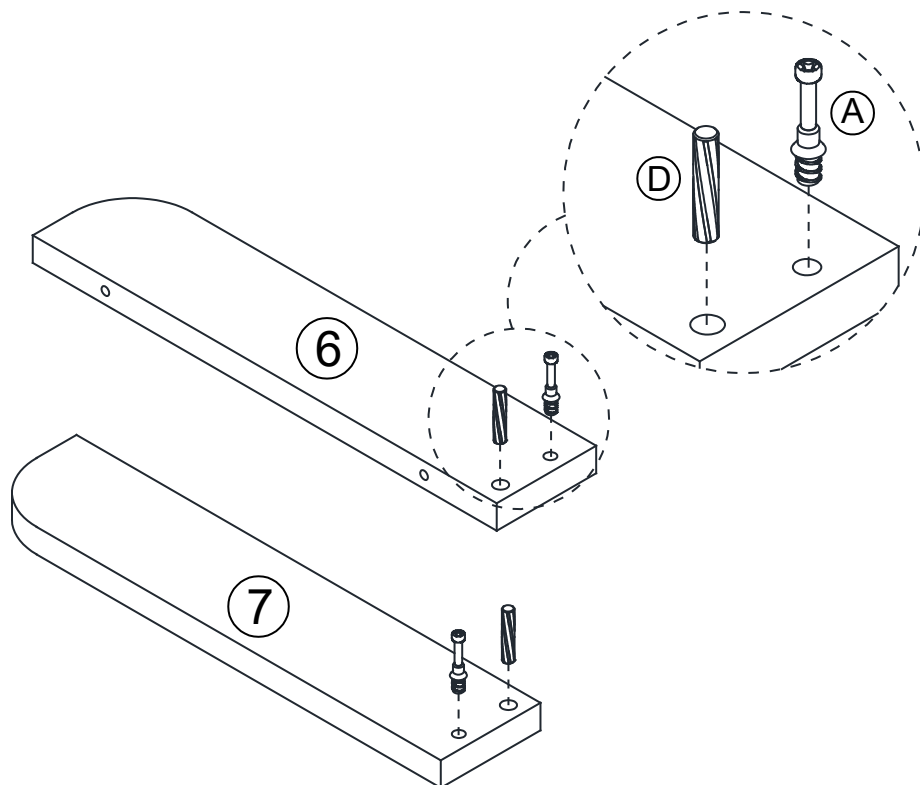


7

(A) x 2pcs

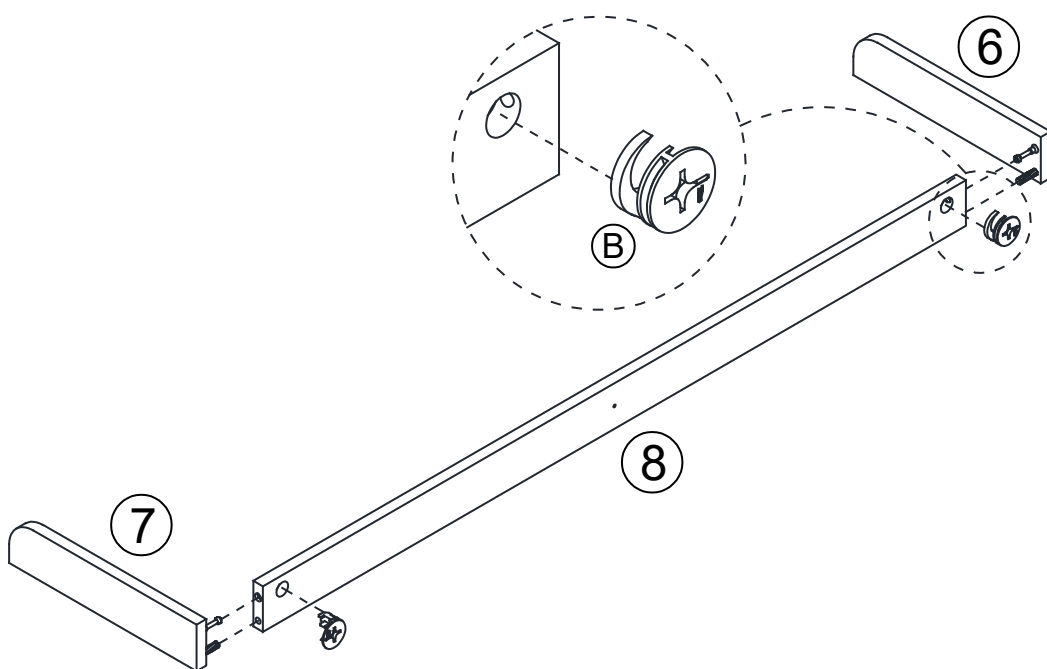
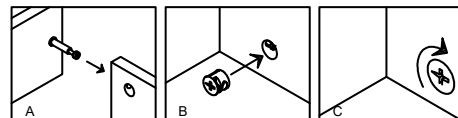


(D) x 2pcs



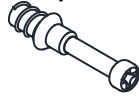
8

(B) x 2pcs

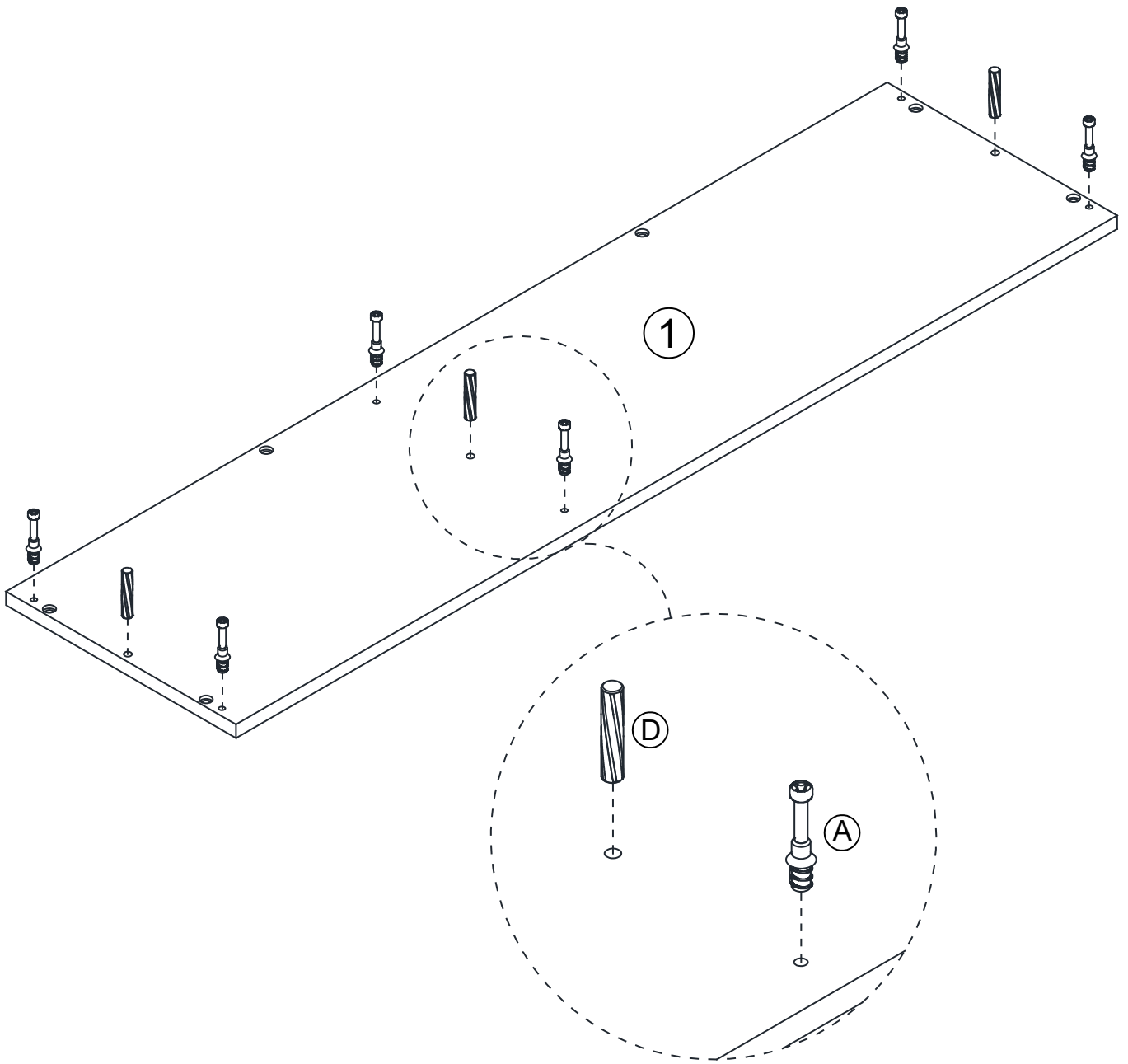


9

(A) x 6pcs

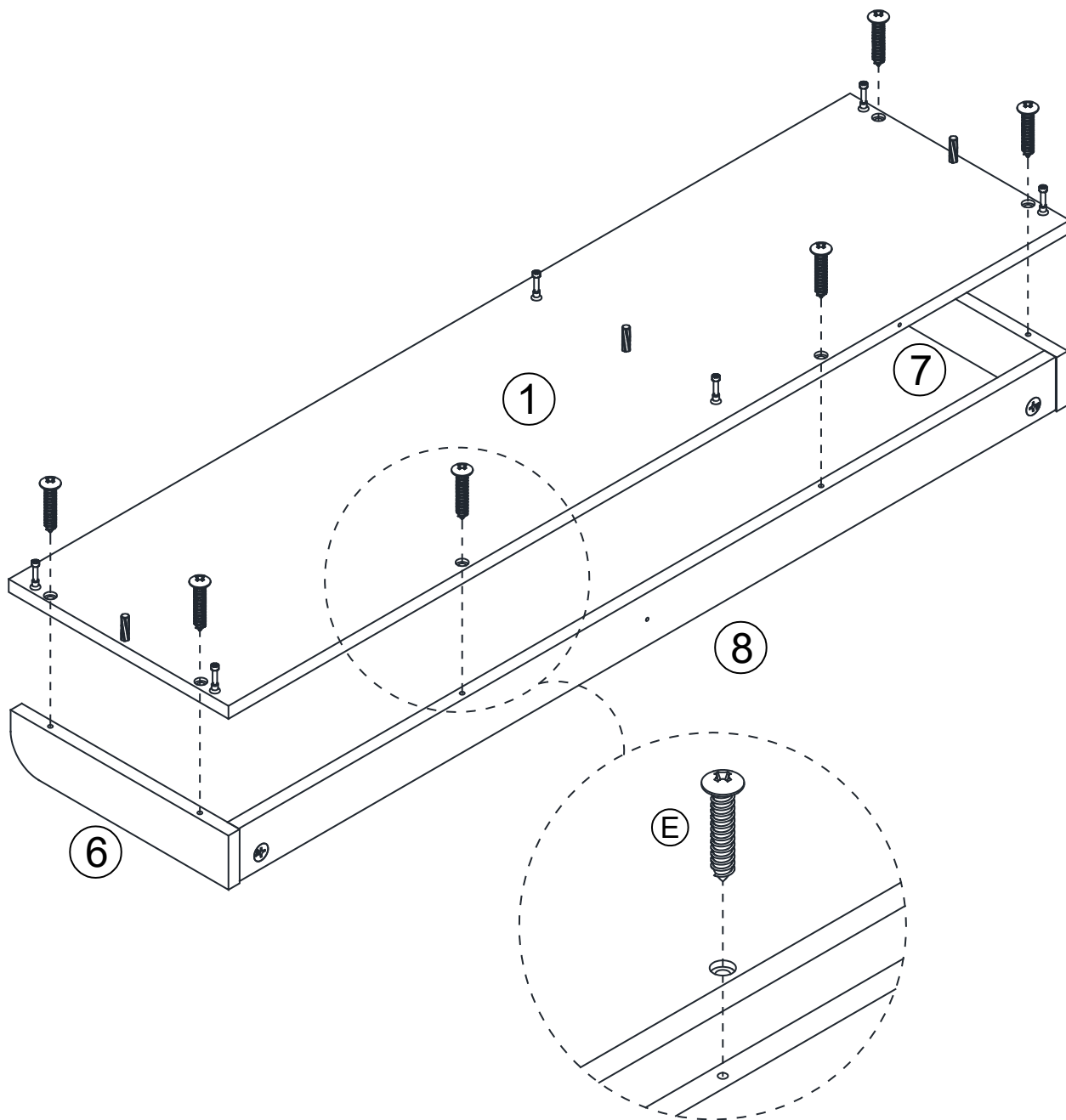


(D) x 3pcs



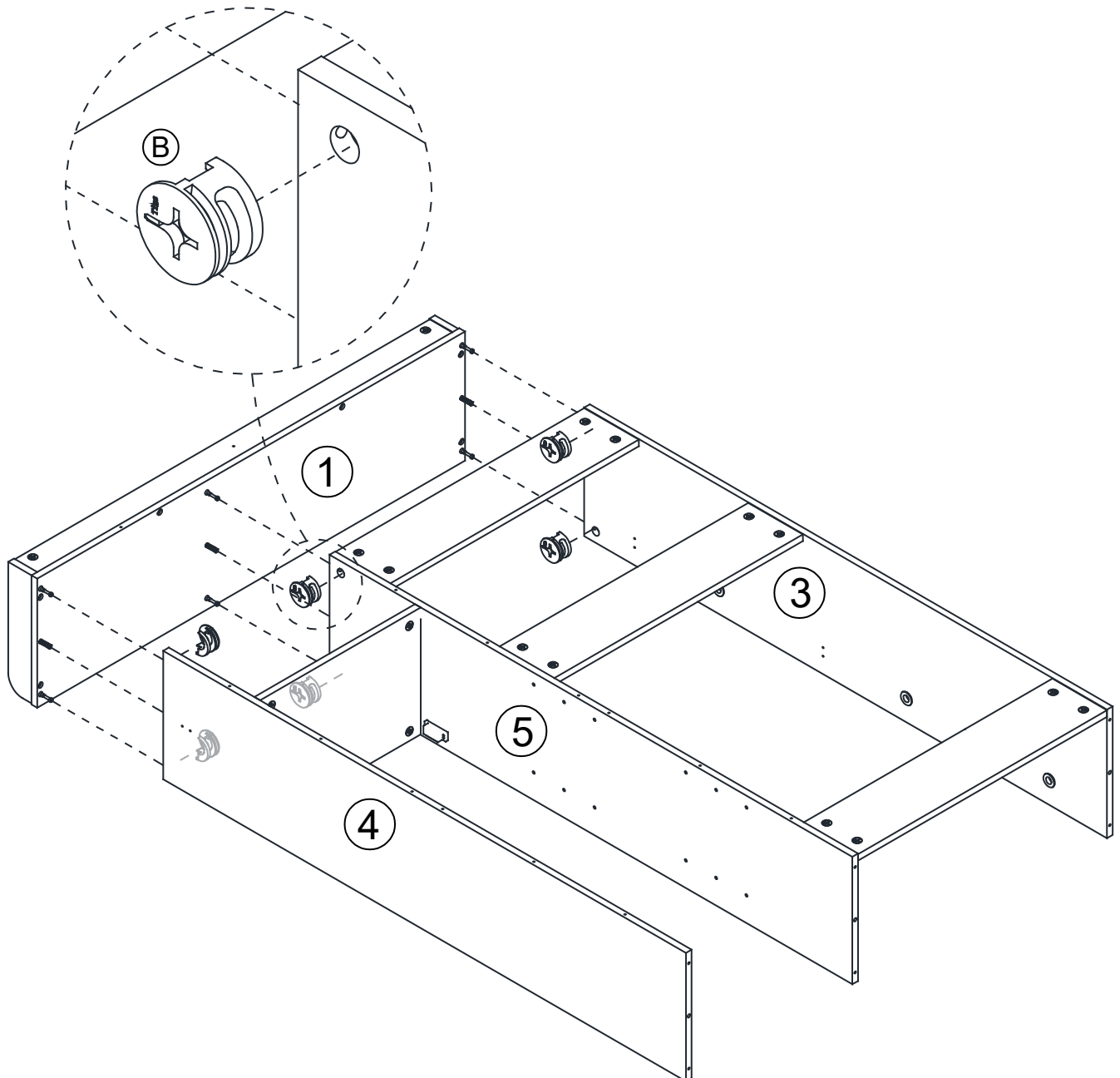
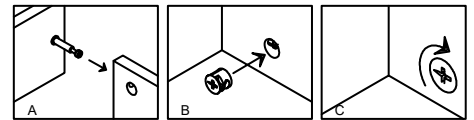
10

Ⓔ x 6pcs



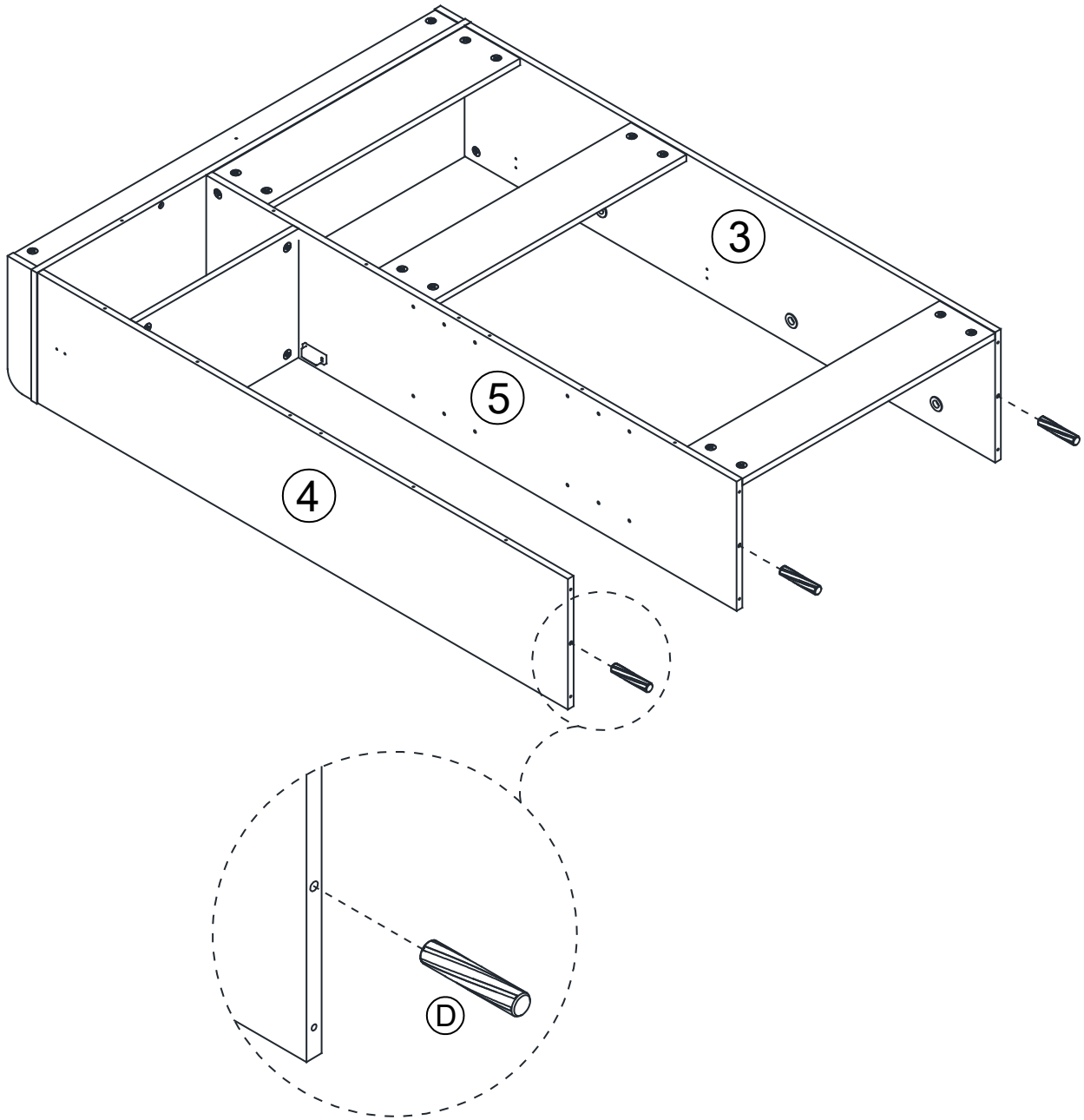
11

(B) x 6pcs



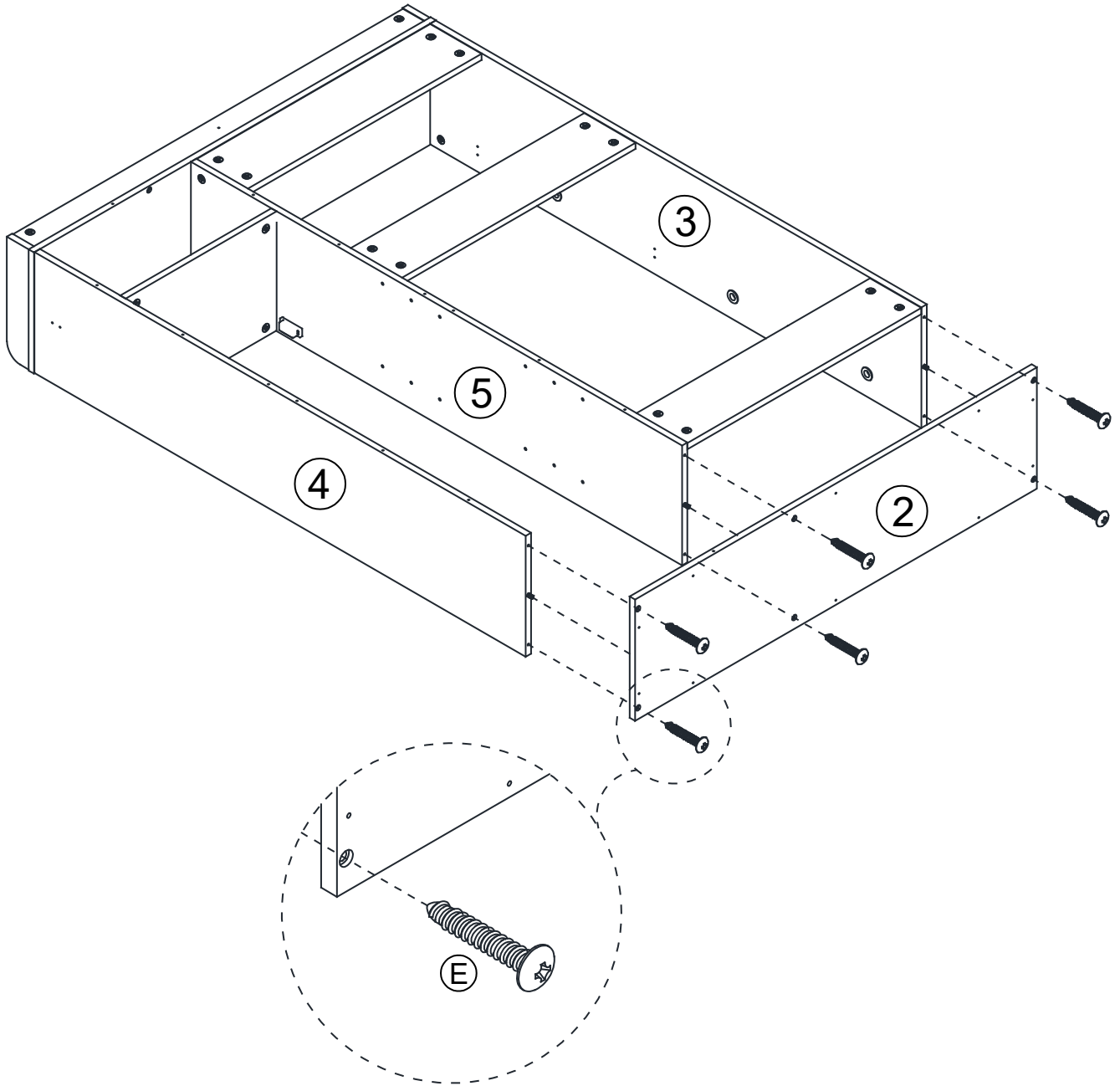
12

ⓓ x 3pcs



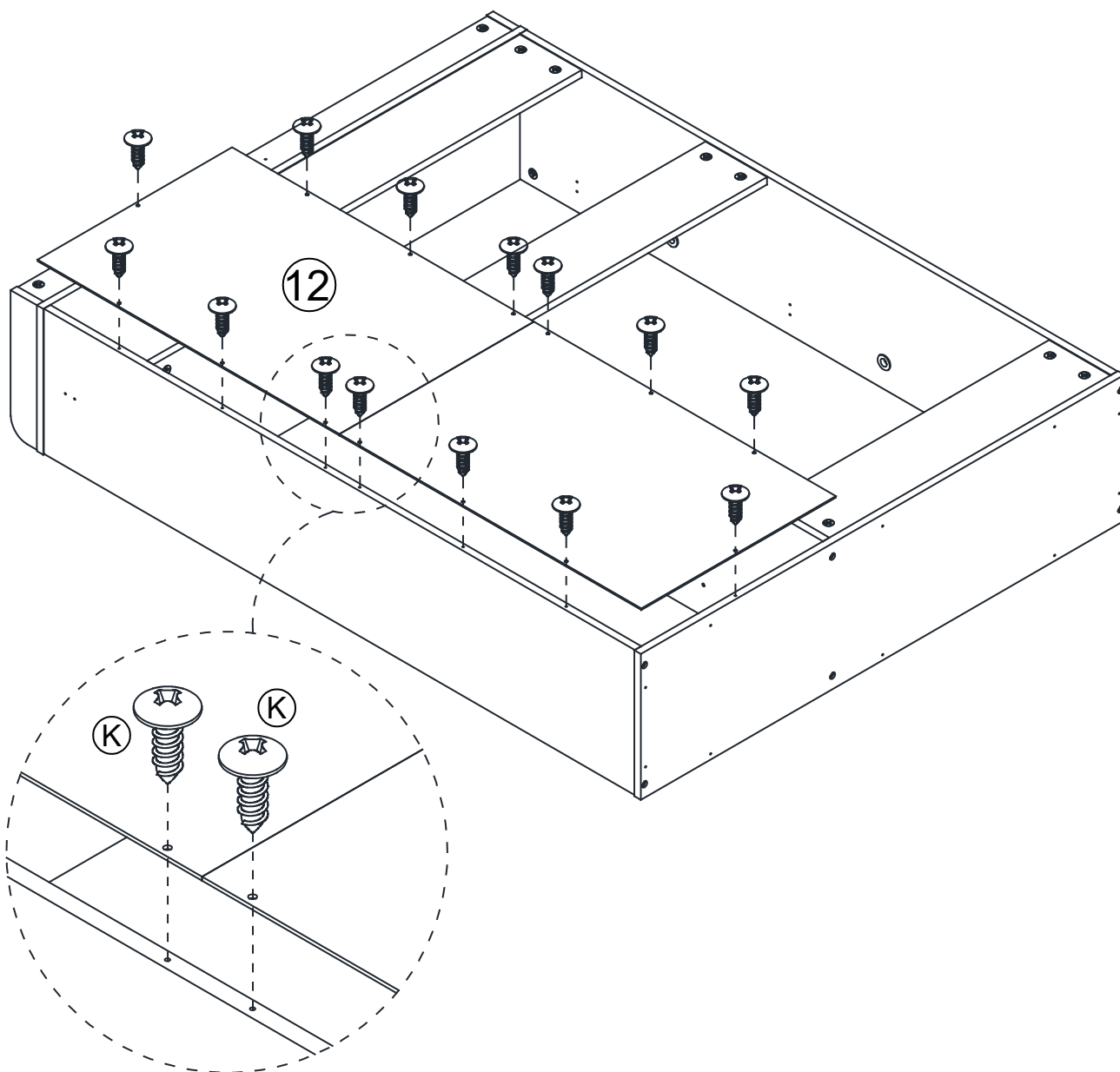
13

ⓔ x 6pcs



14

(K) x 14pcs

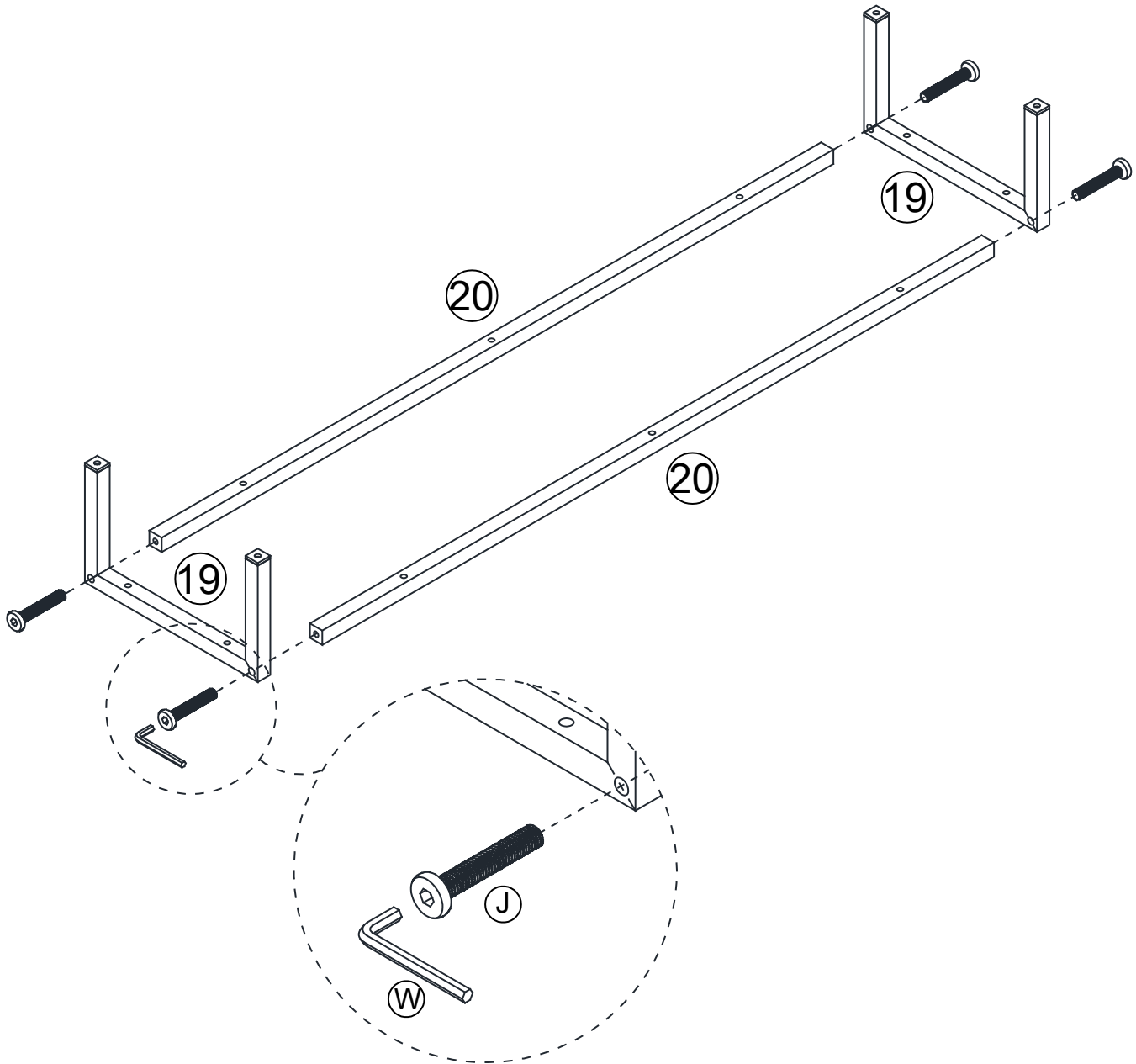


15

ⓐ x 4pcs

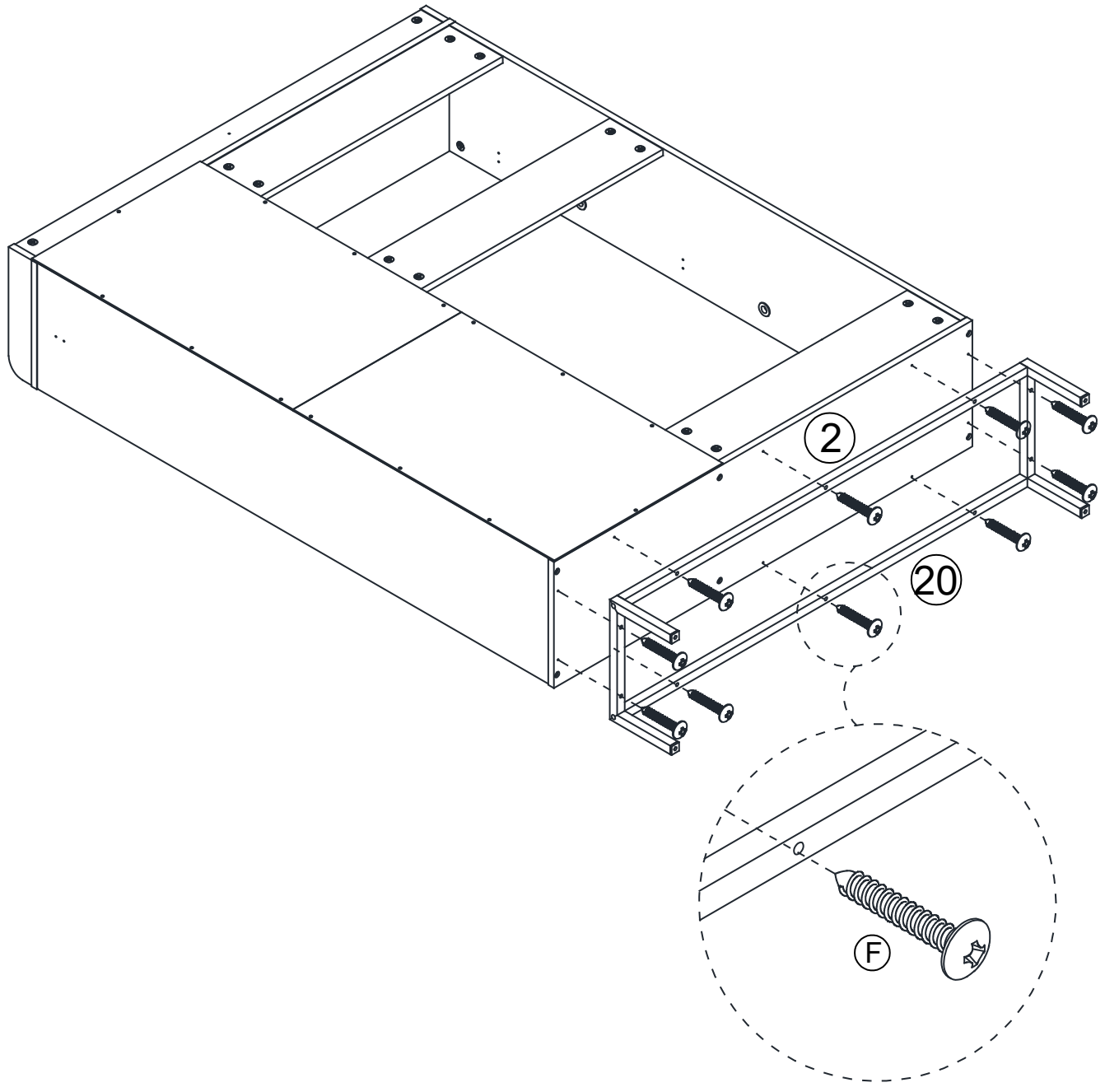


Ⓦ x 1pcs



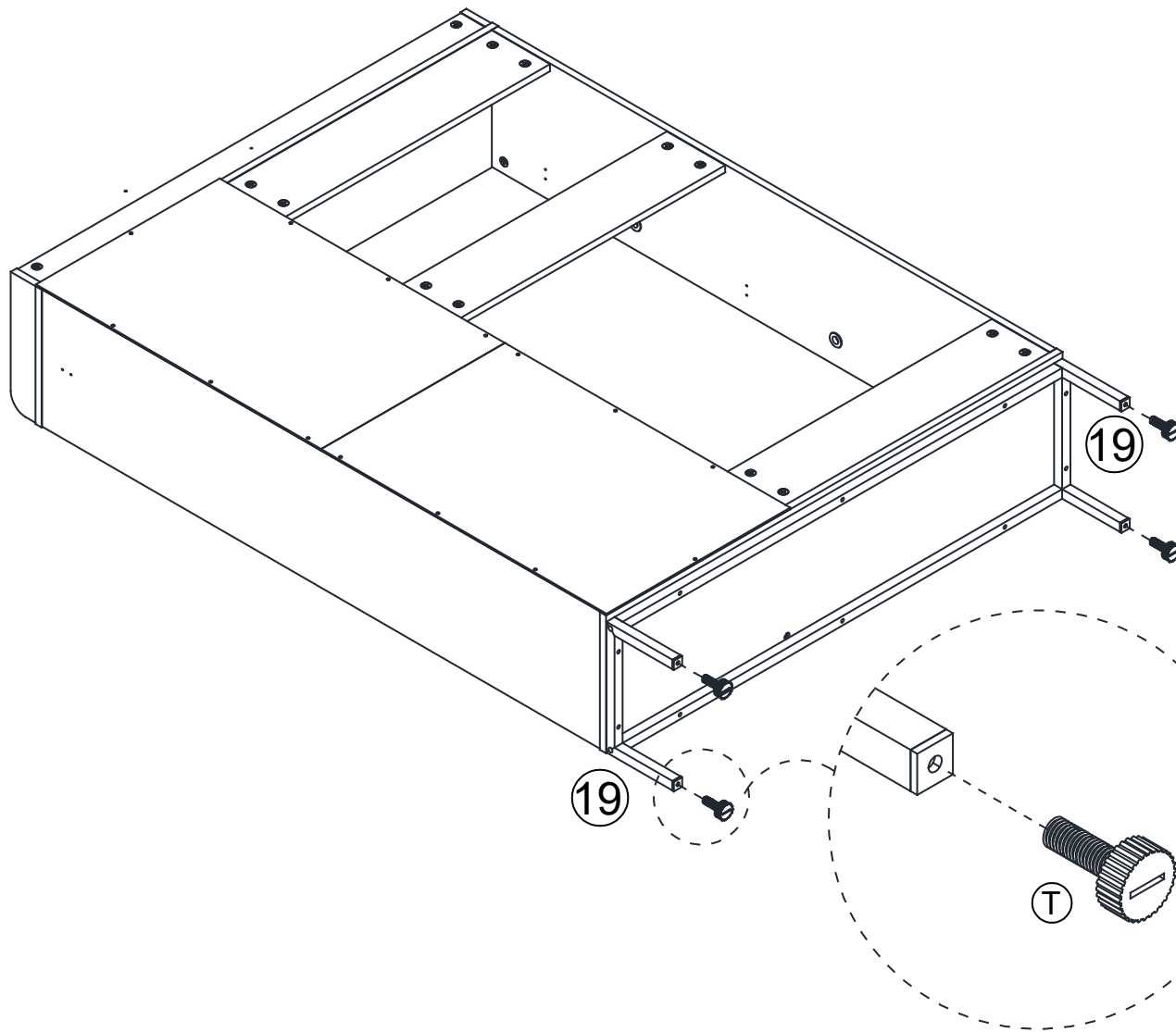
16

ⓕ x 10pcs



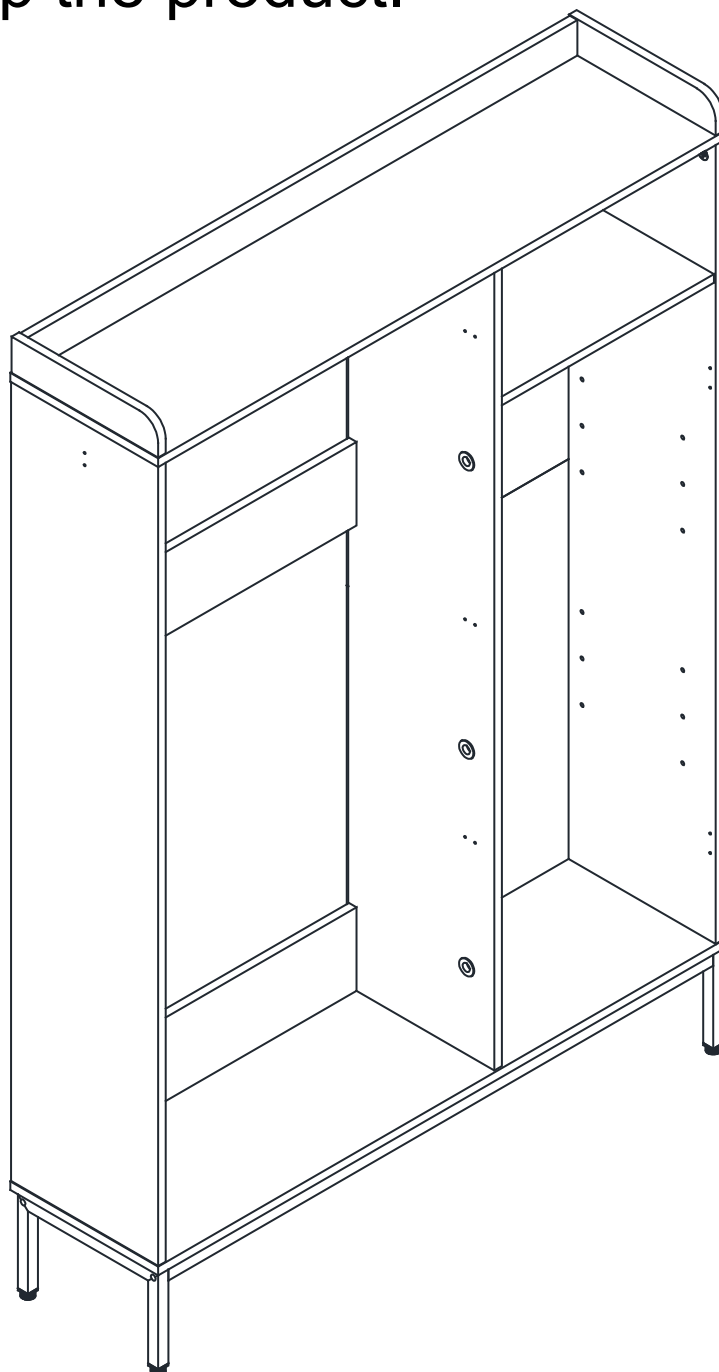
17

Ⓣ x 4pcs



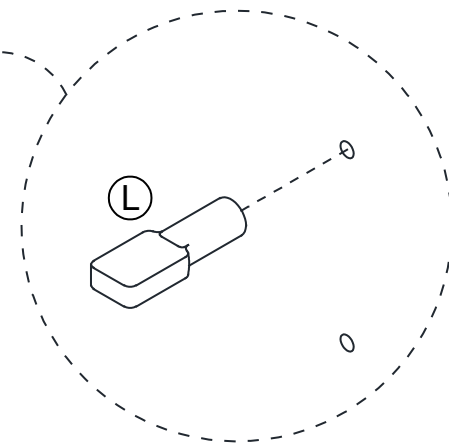
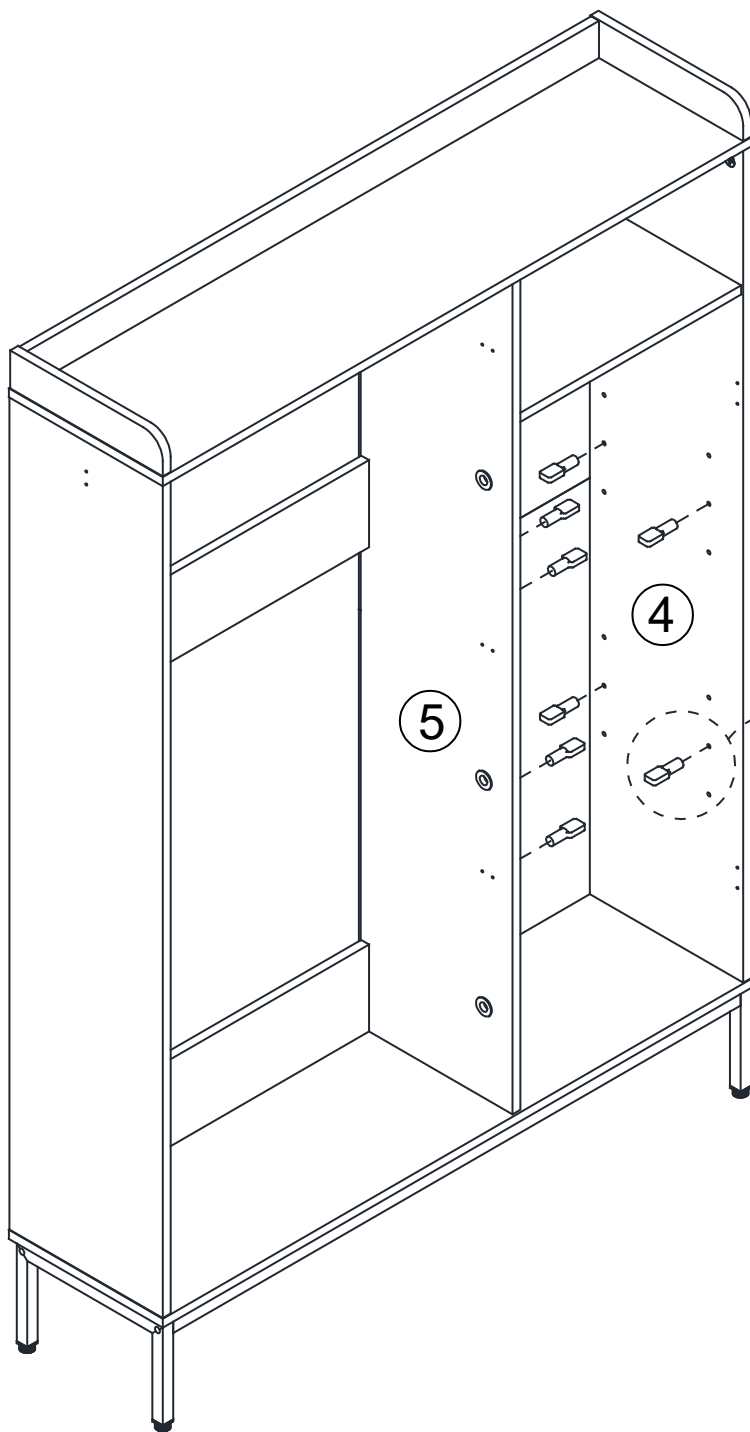
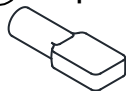
18

Please be careful to stand up the product.

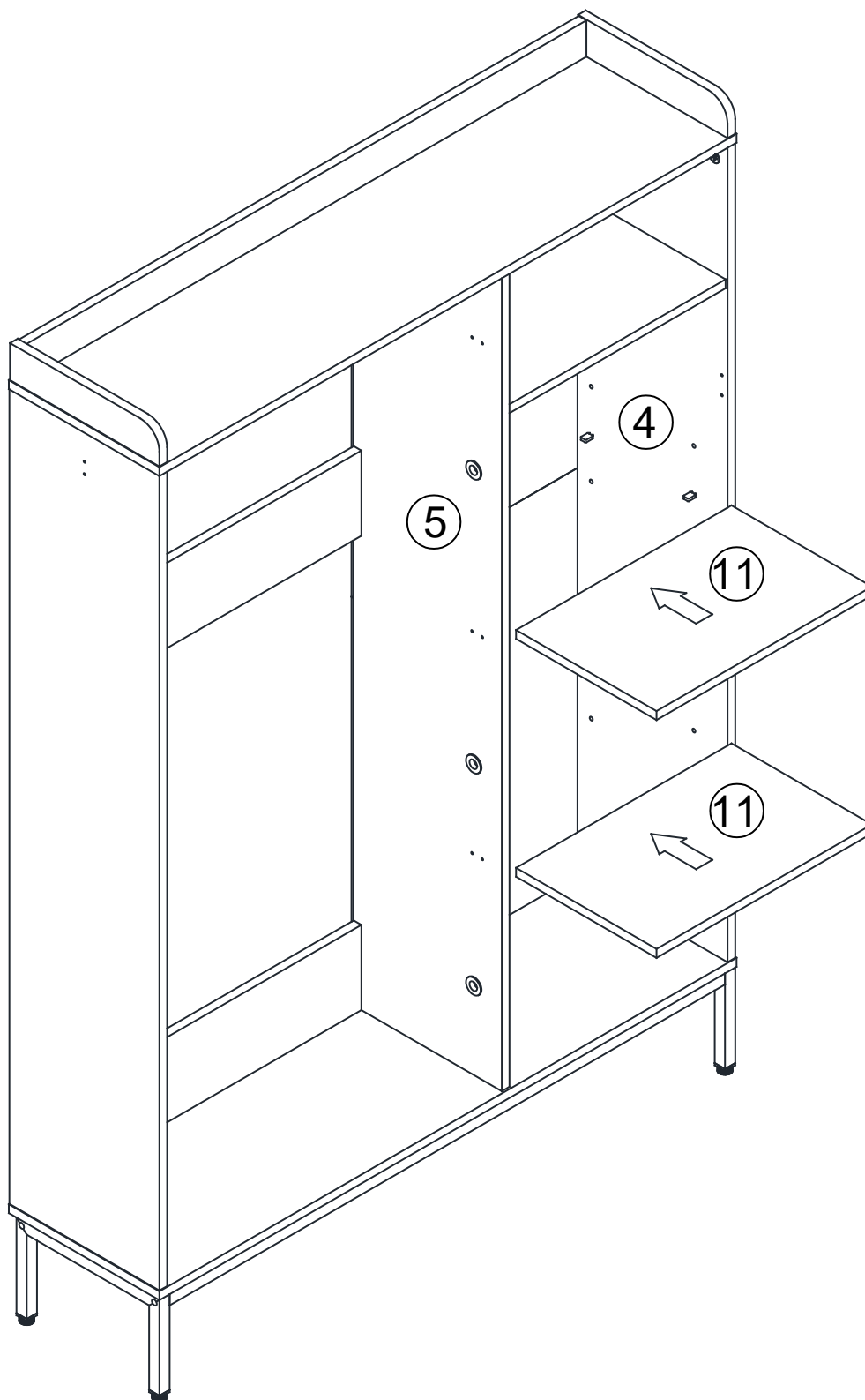


19

(L) x 8pcs



20



21

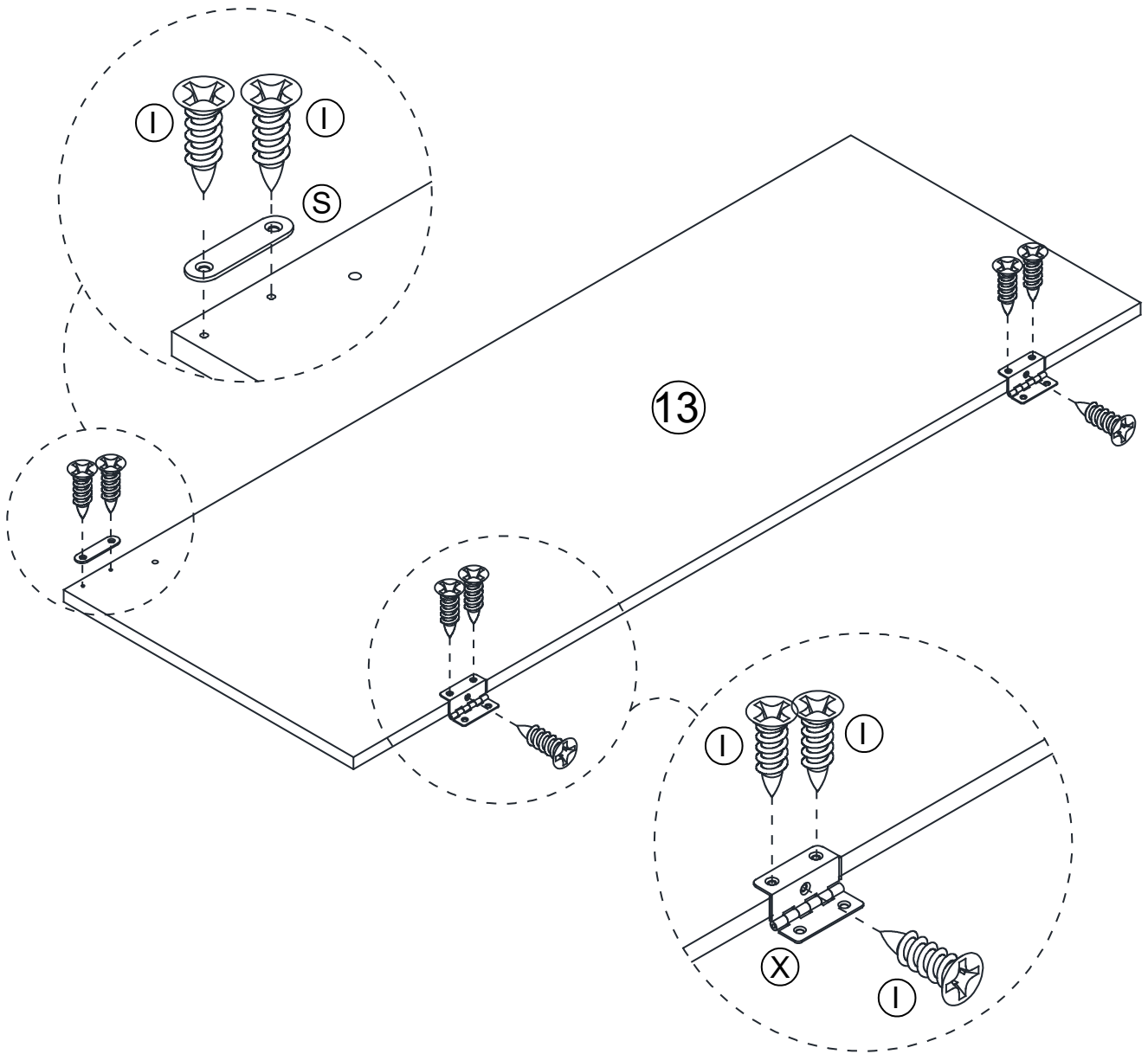
Ⓛ x 8pcs



Ⓢ x 1pcs

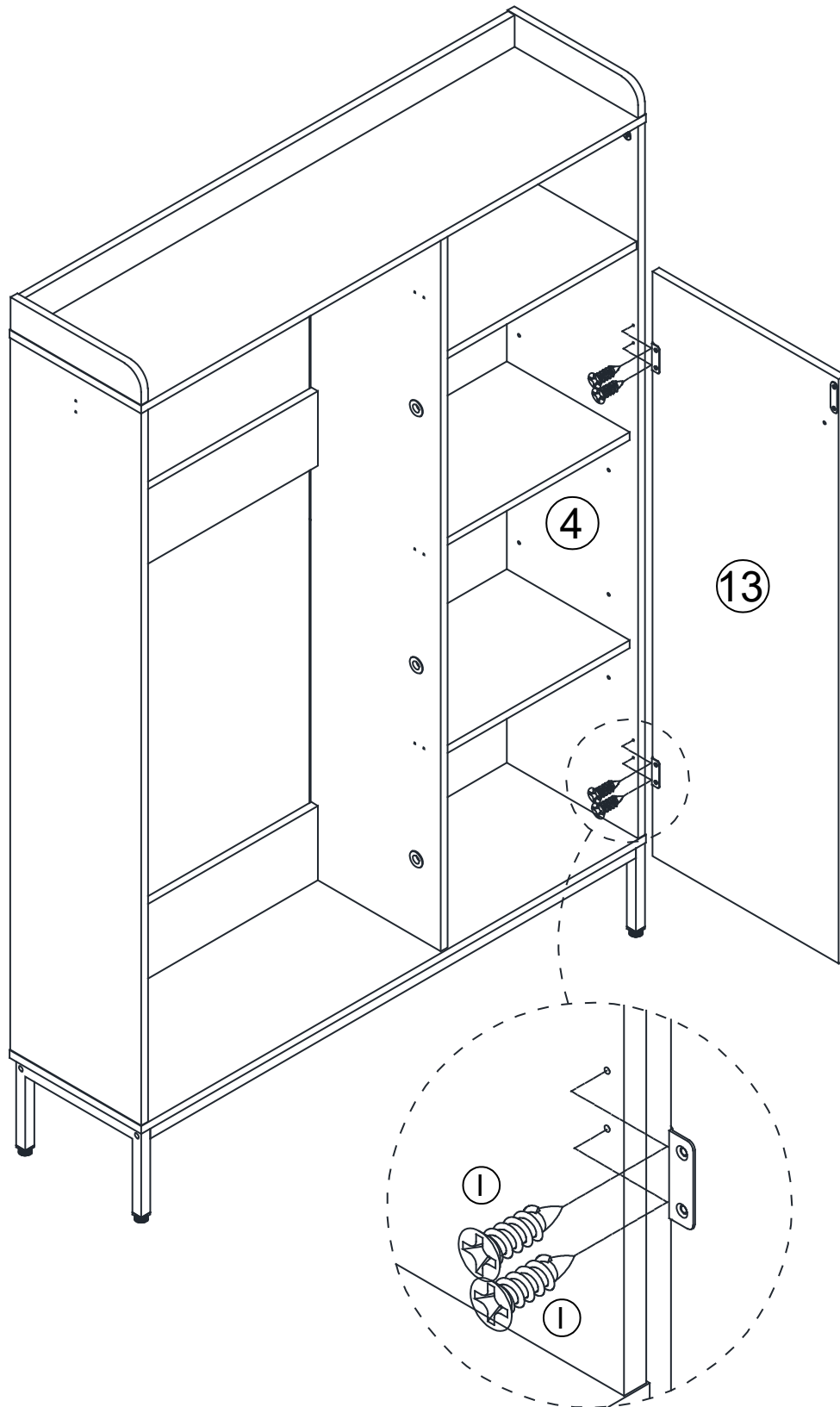
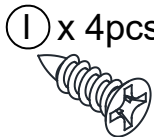


ⓧ x 2pcs



22

① x 4pcs

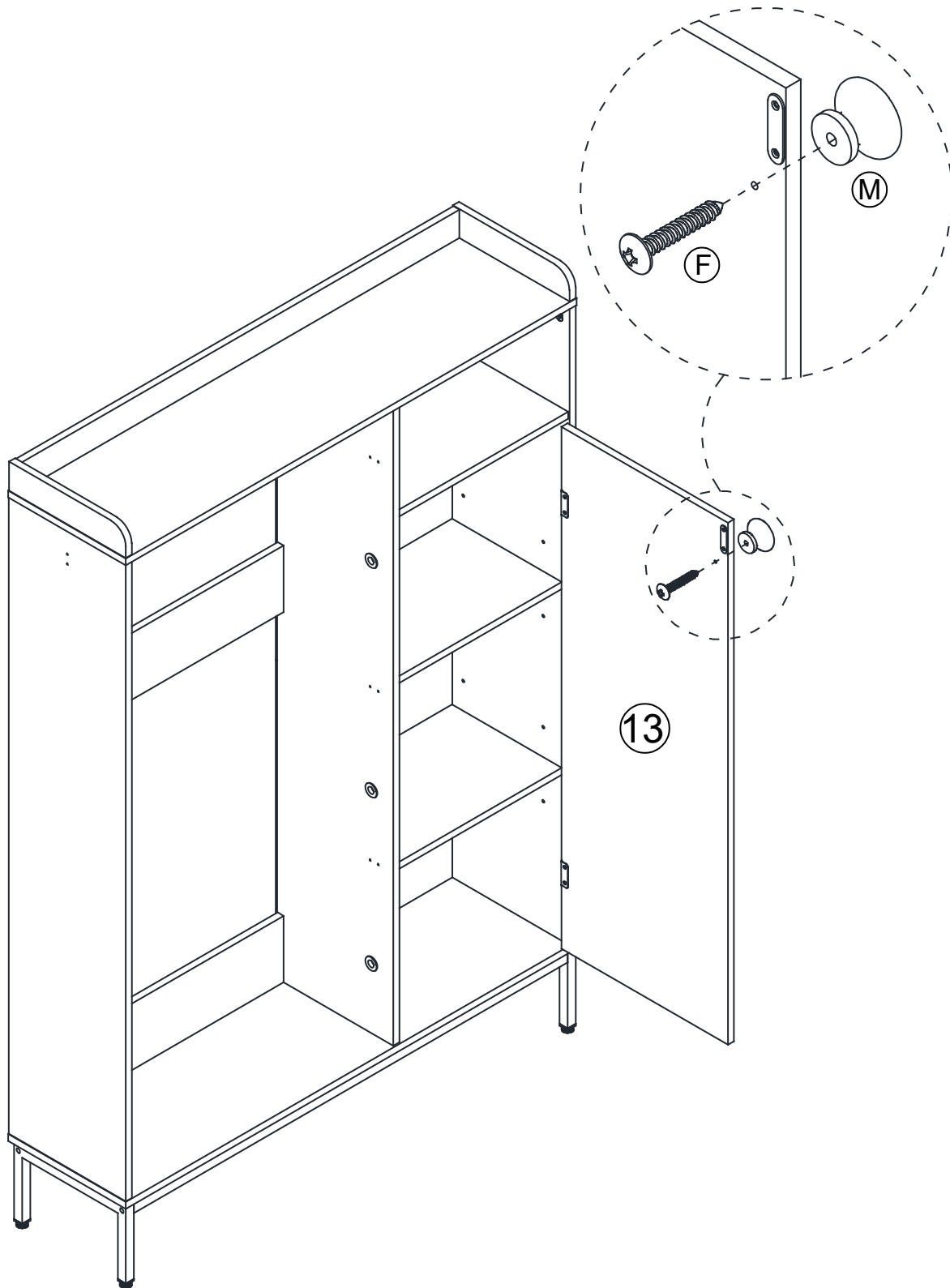


23

ⓕ x 1pcs



Ⓜ x 1pcs

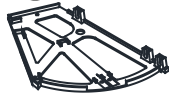


24

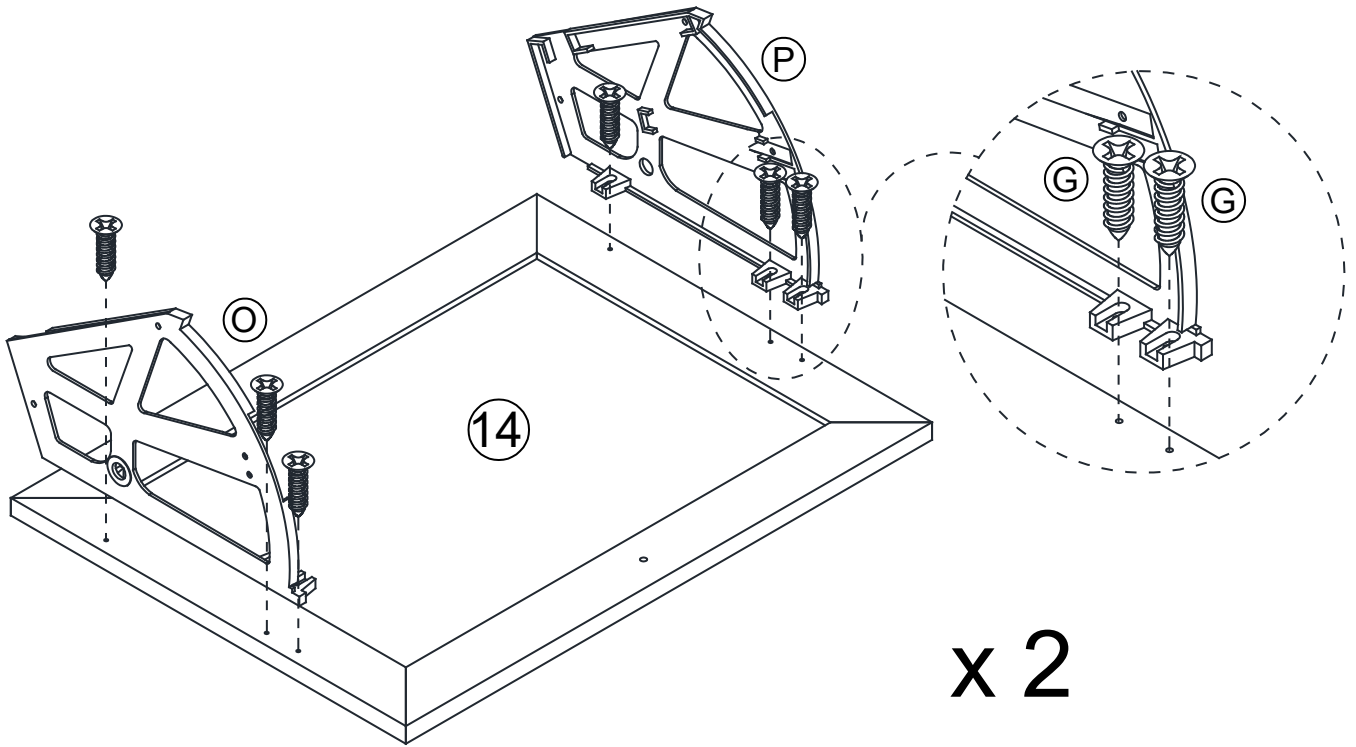
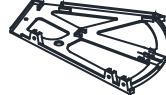
G x 12pcs



O x 2pcs



P x 2pcs



25

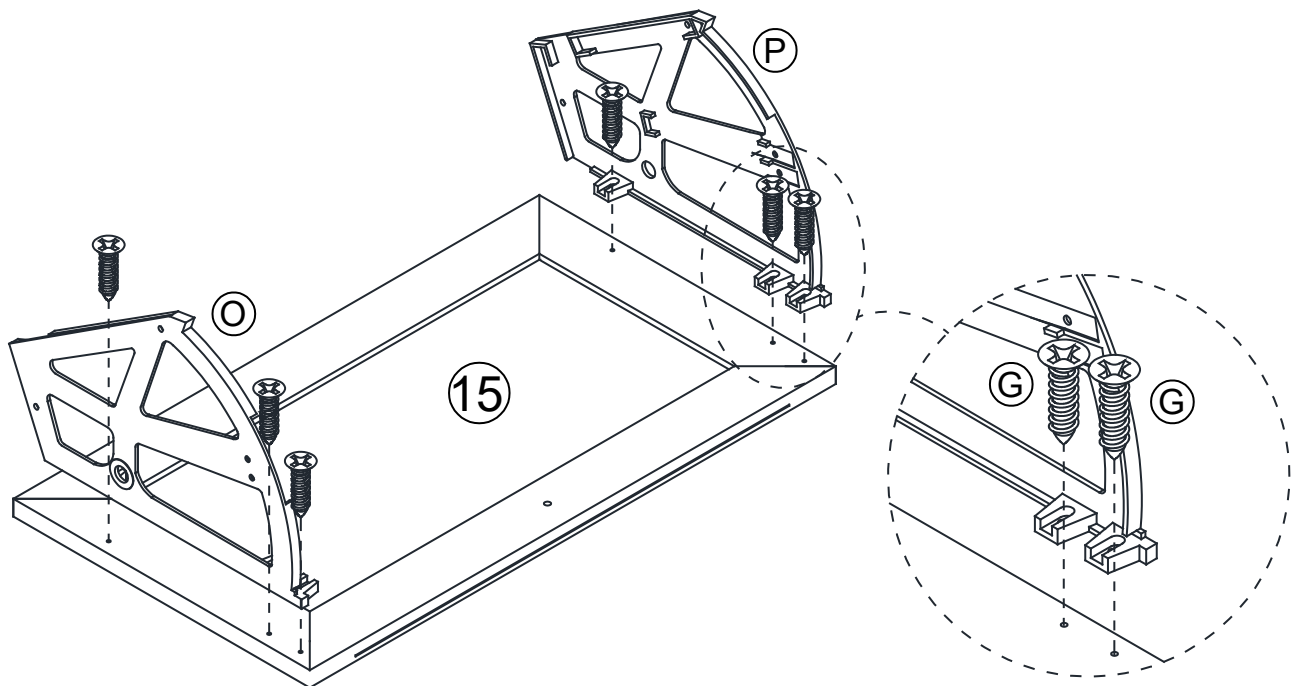
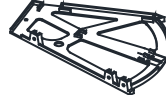
G x 6pcs



O x 1pcs

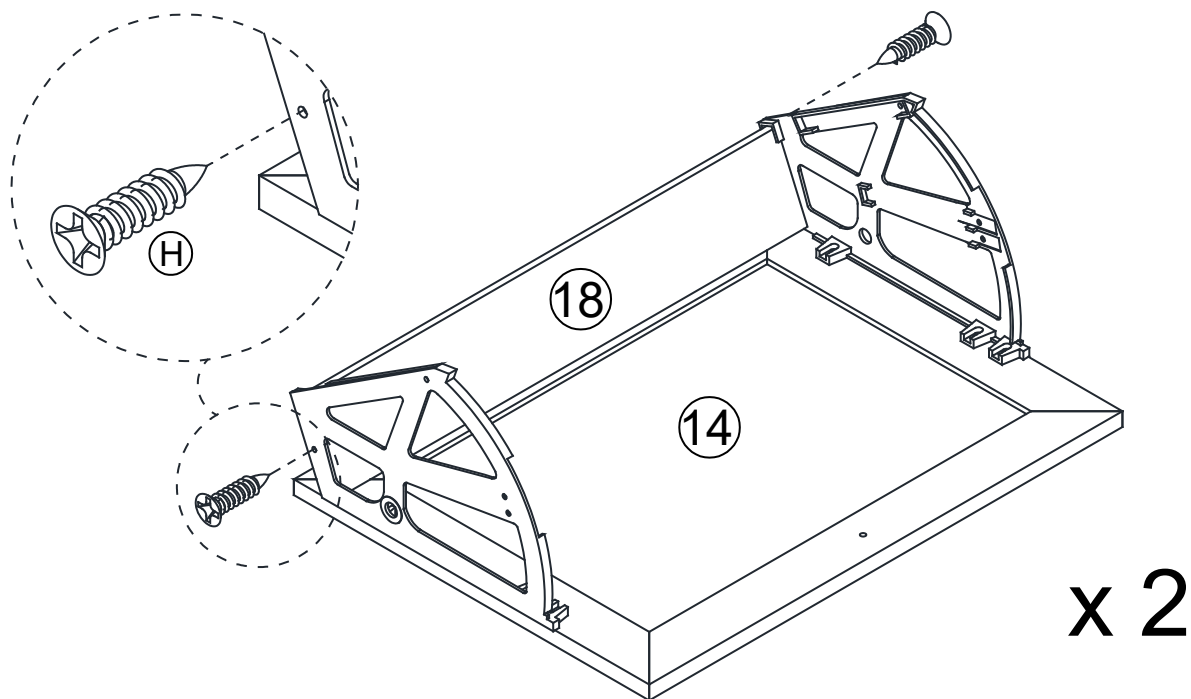


P x 1pcs



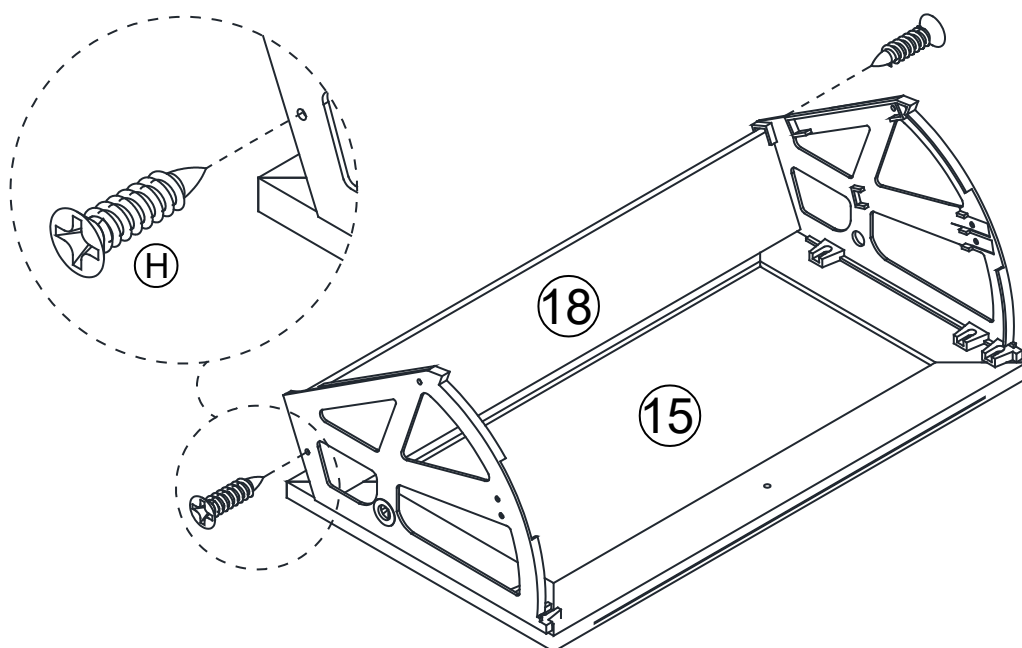
26

(H) x 4pcs



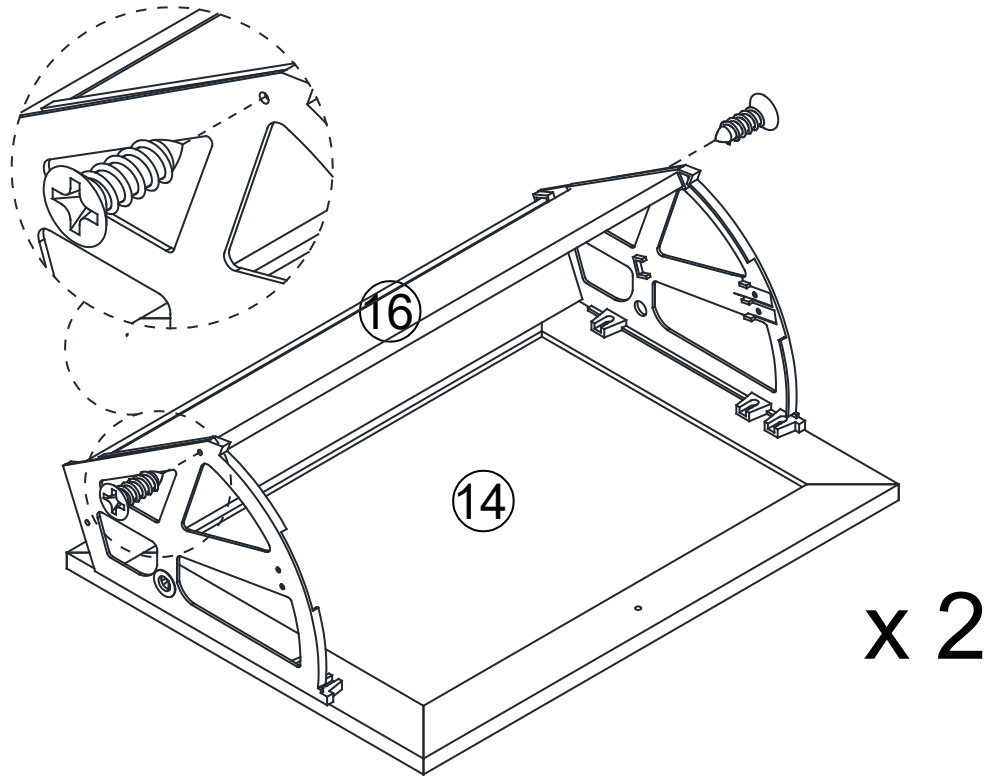
27

(H) x 2pcs



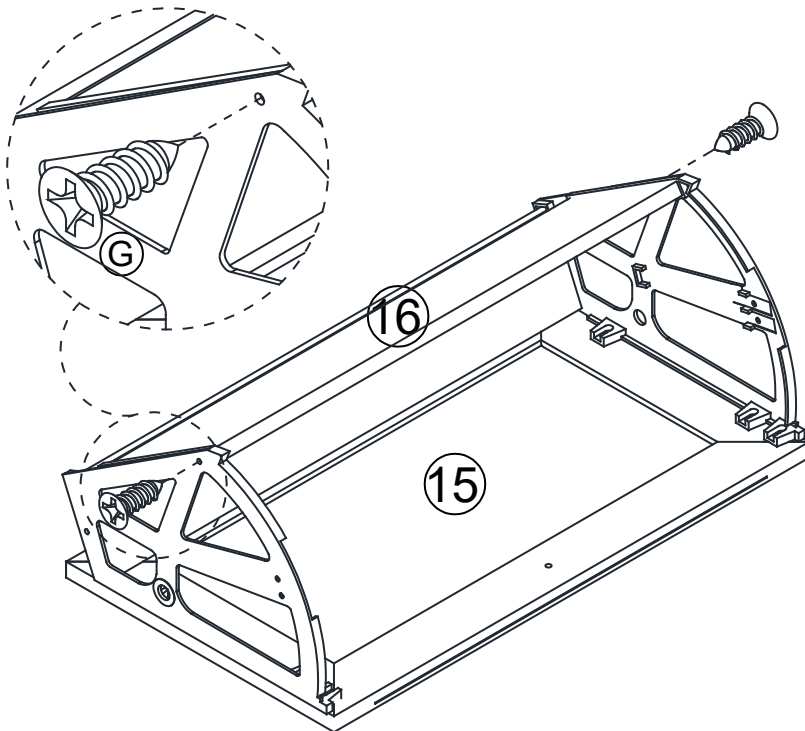
28

ⓐ x 4pcs



29

ⓐ x 2pcs

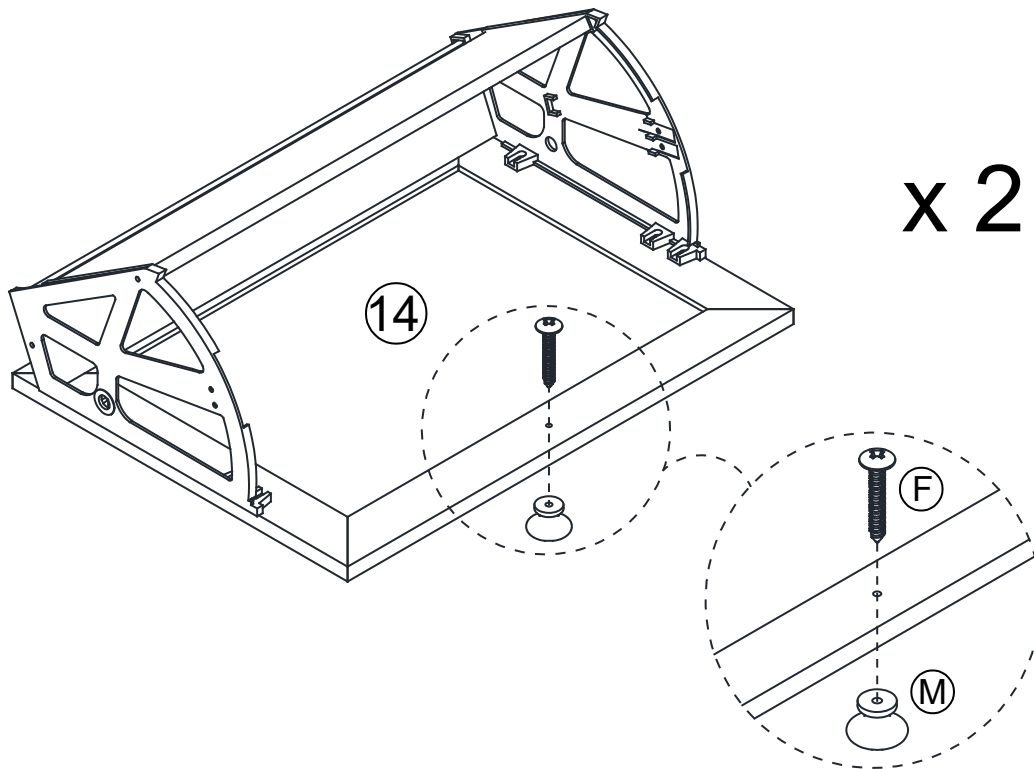


30

(F) x 2pcs



(M) x 2pcs

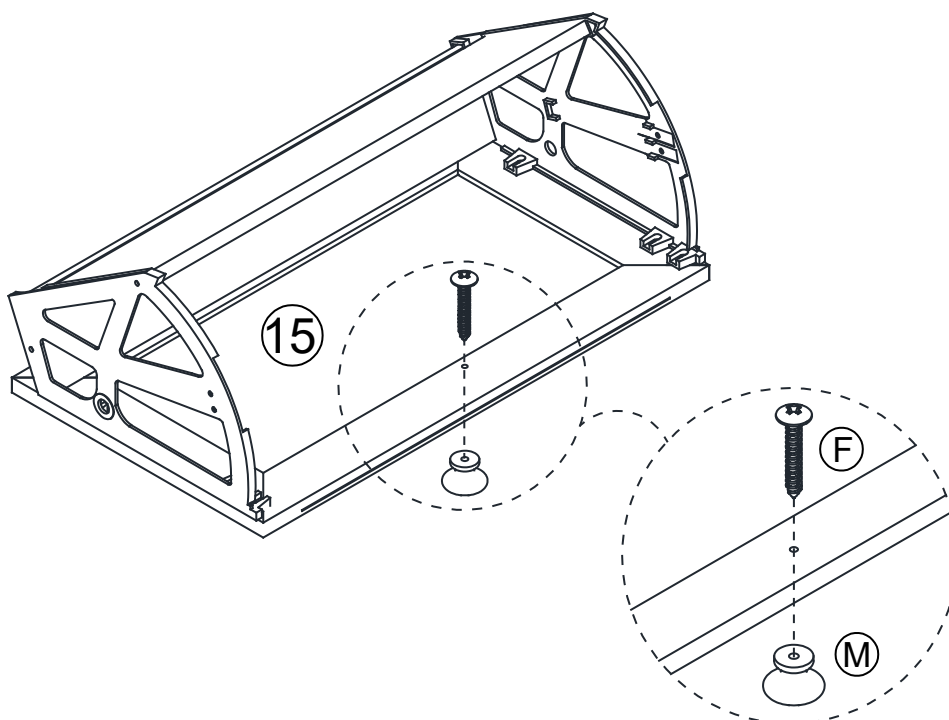


31

(F) x 1pcs



(M) x 1pcs



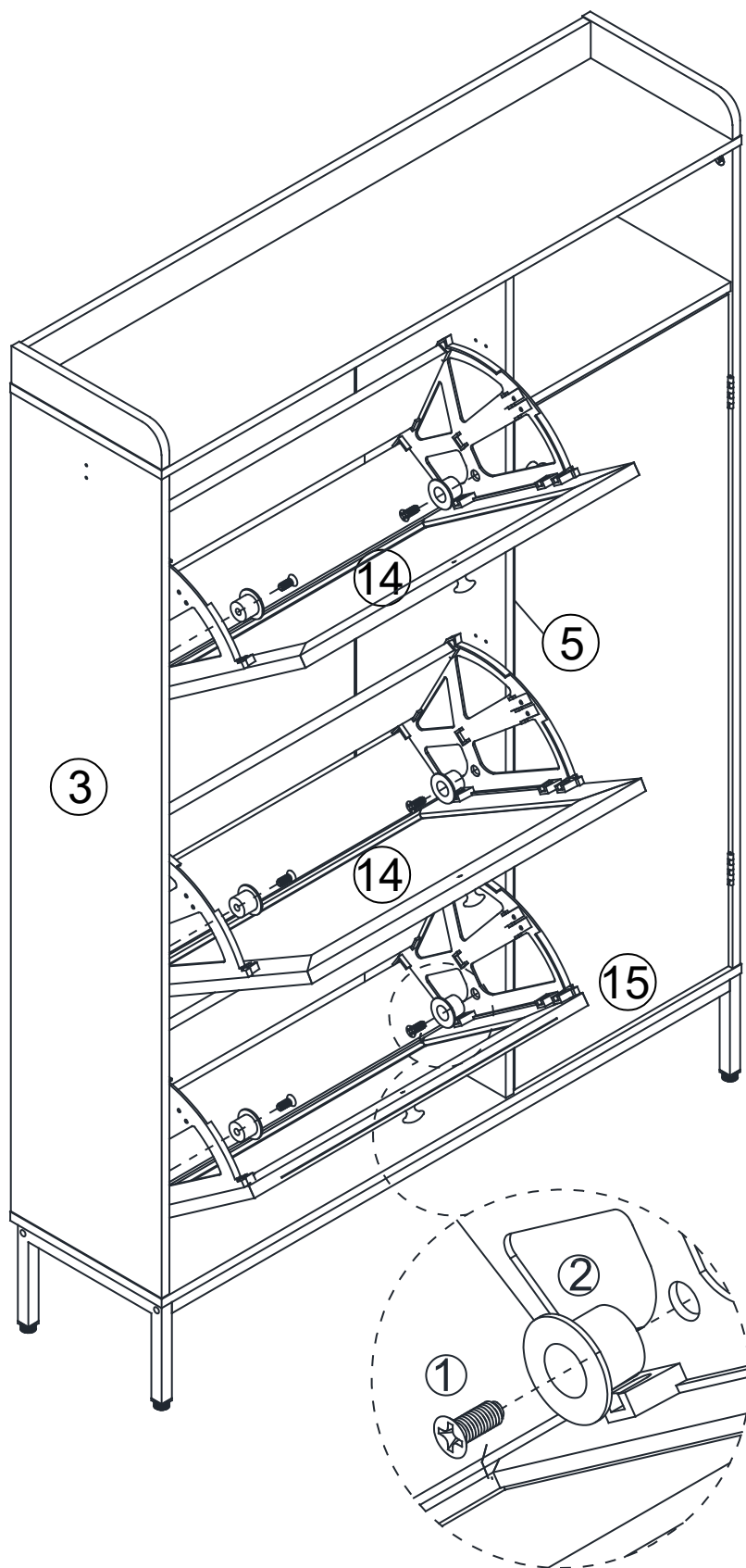
32

⊙ x 6pcs

①

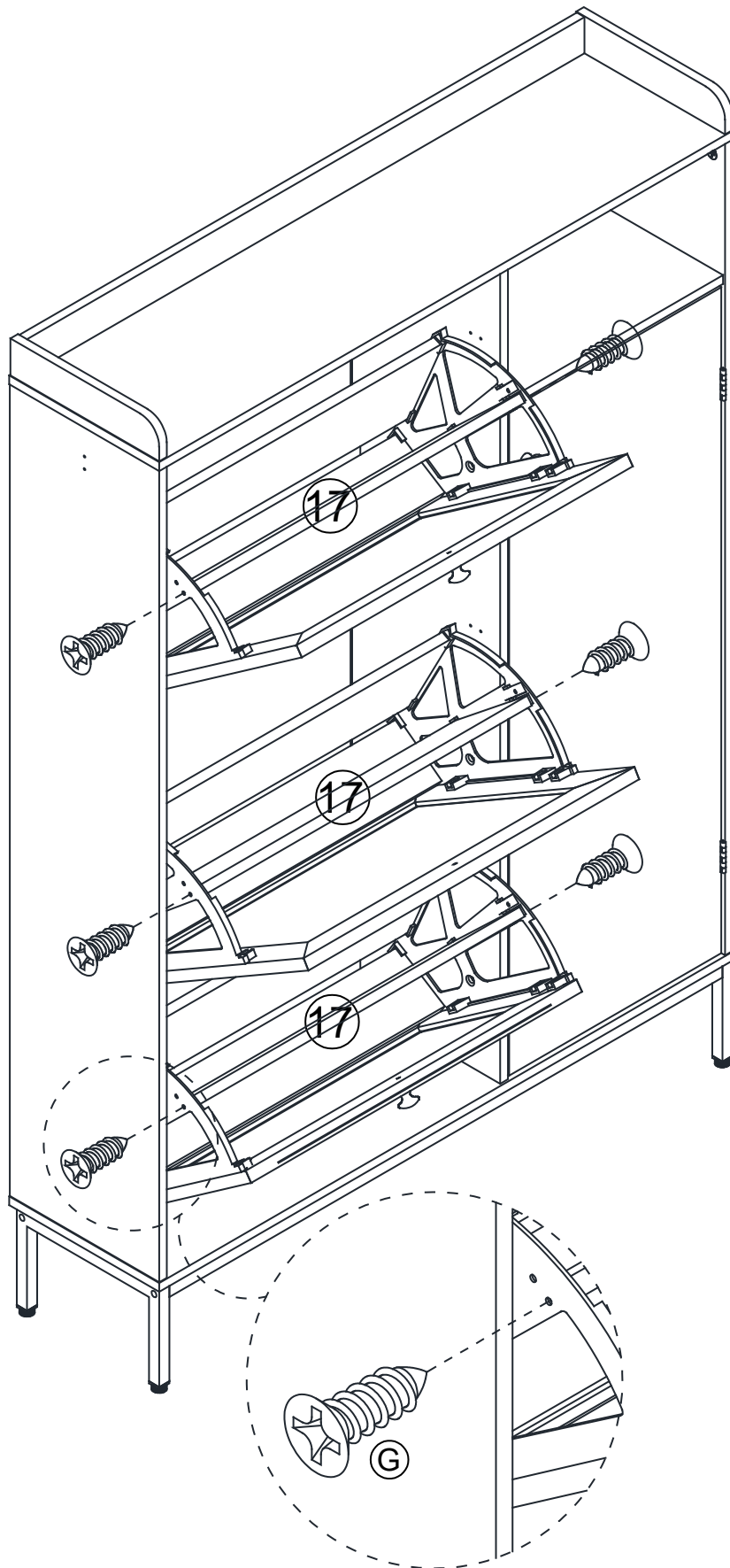


②



33

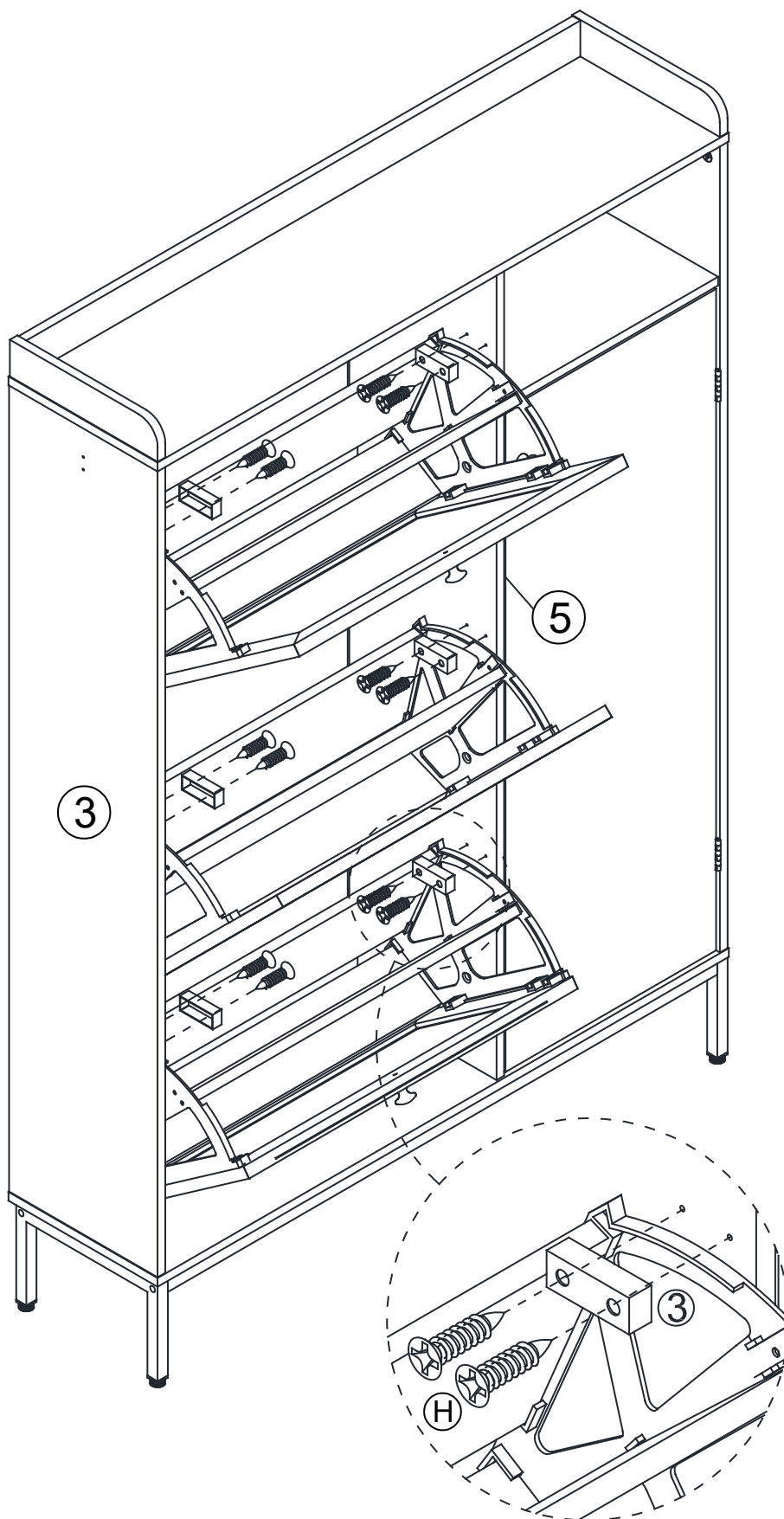
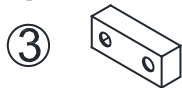
ⓐ x 6pcs



34

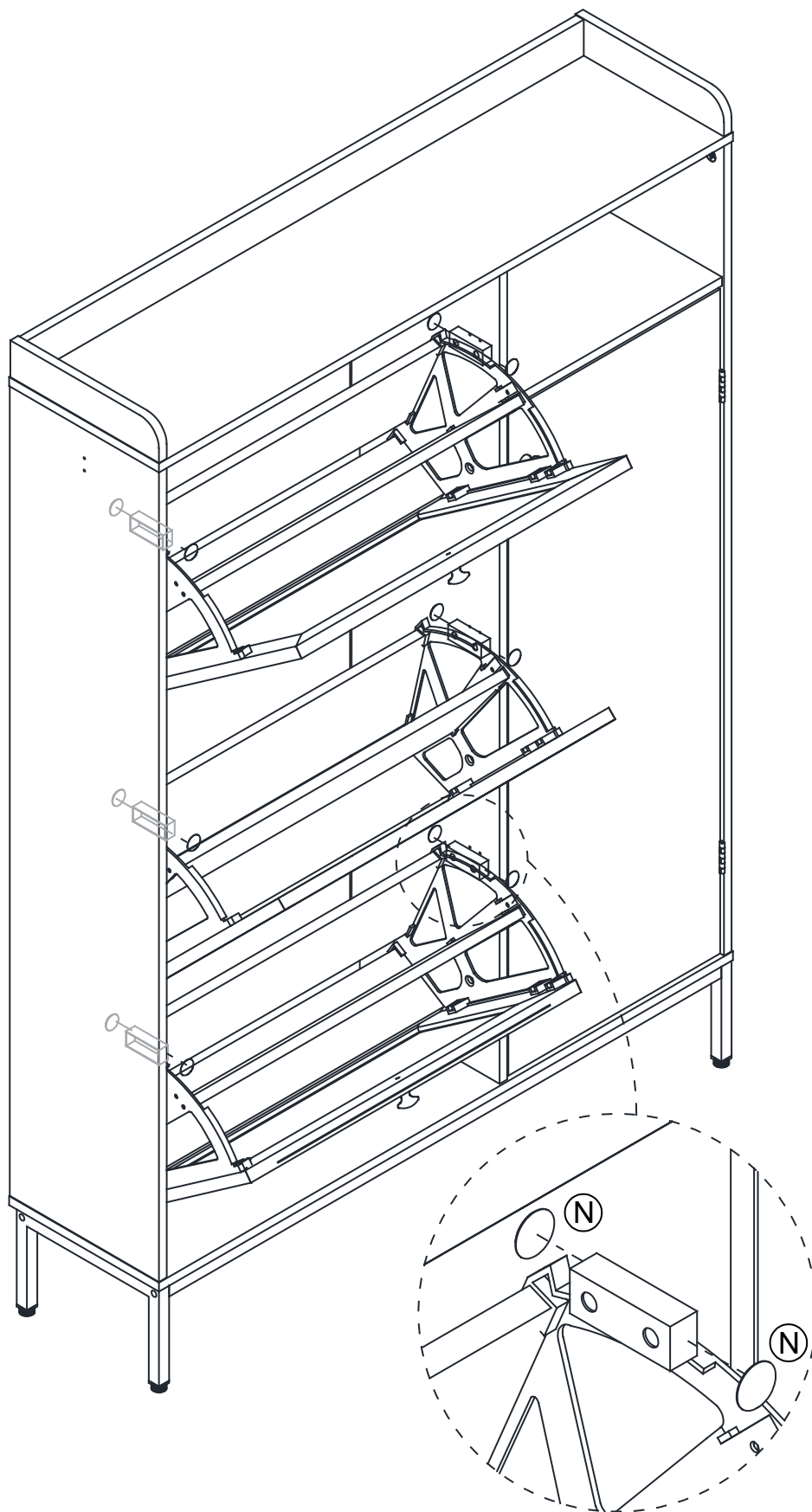
⊙ x 6pcs

Ⓜ x 12pcs



35

Ⓝ x 12pcs

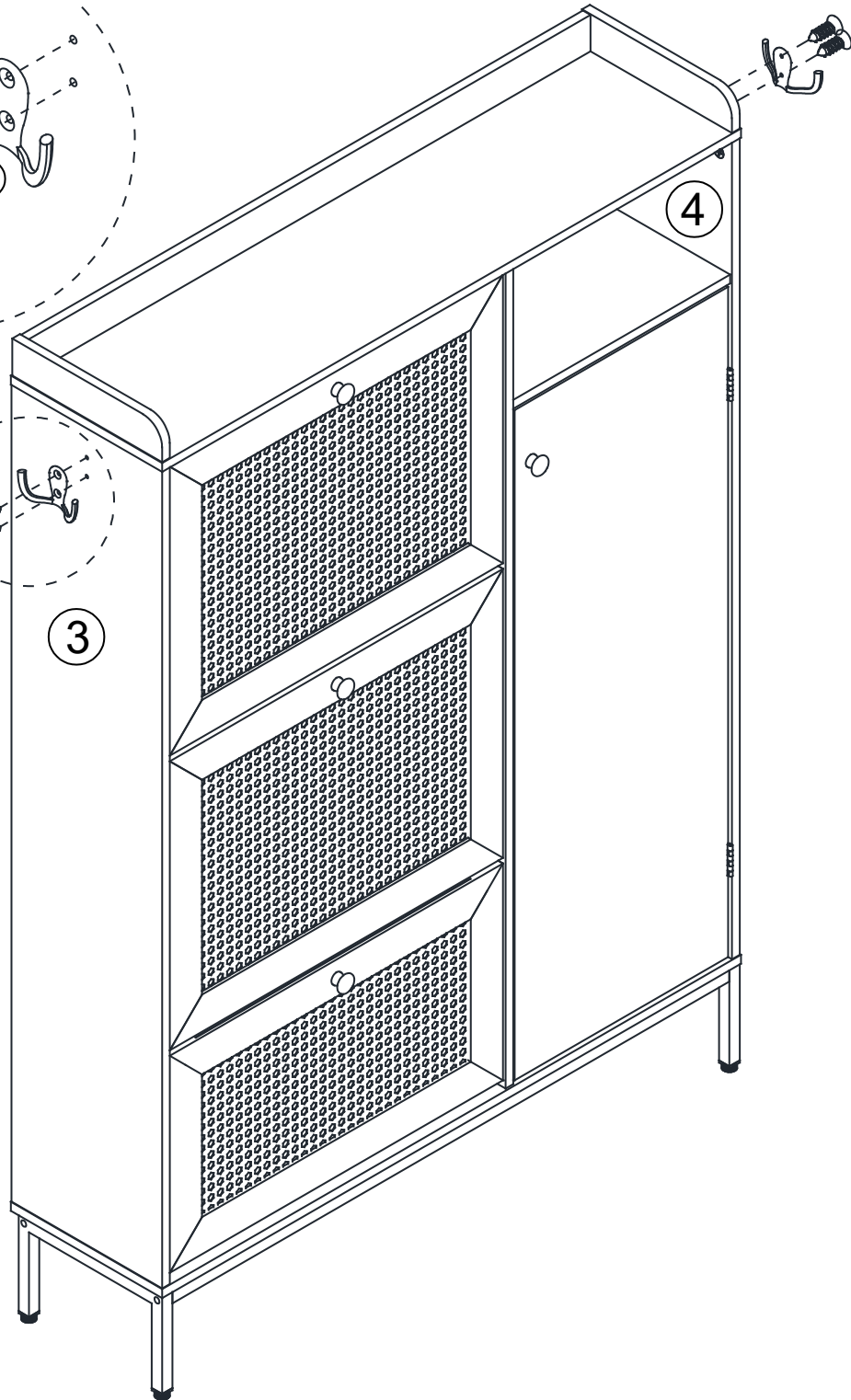
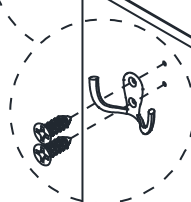
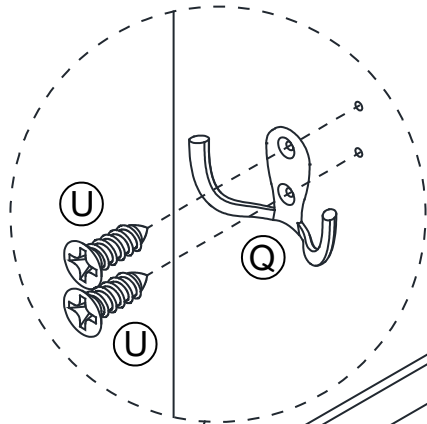


36

Q x 2pcs



U x 4pcs

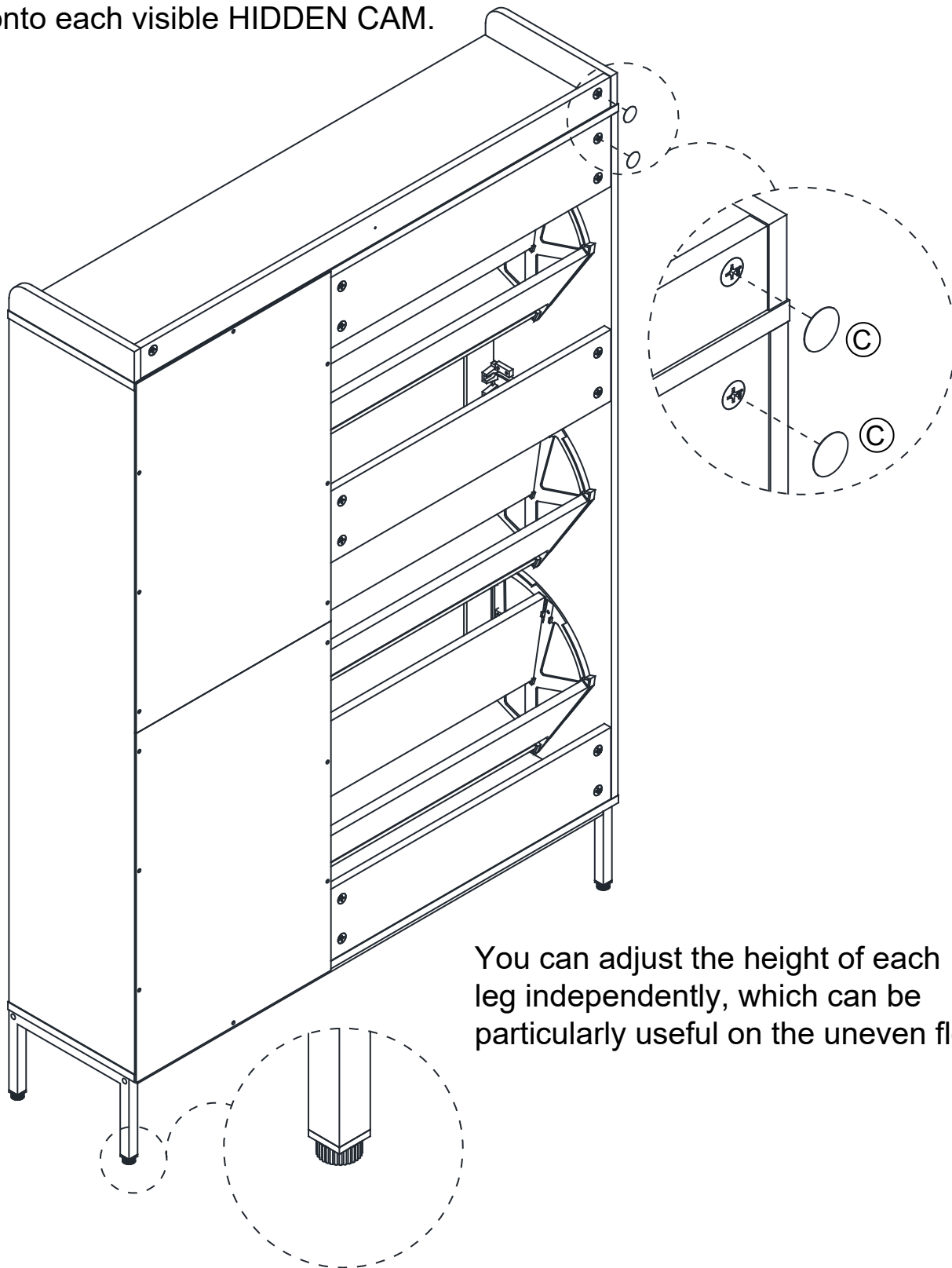


37

ⓐ x 24pcs



Peel a CAM COVER from the CAM COVER CARD and stick one onto each visible HIDDEN CAM.



You can adjust the height of each leg independently, which can be particularly useful on the uneven floor.

38

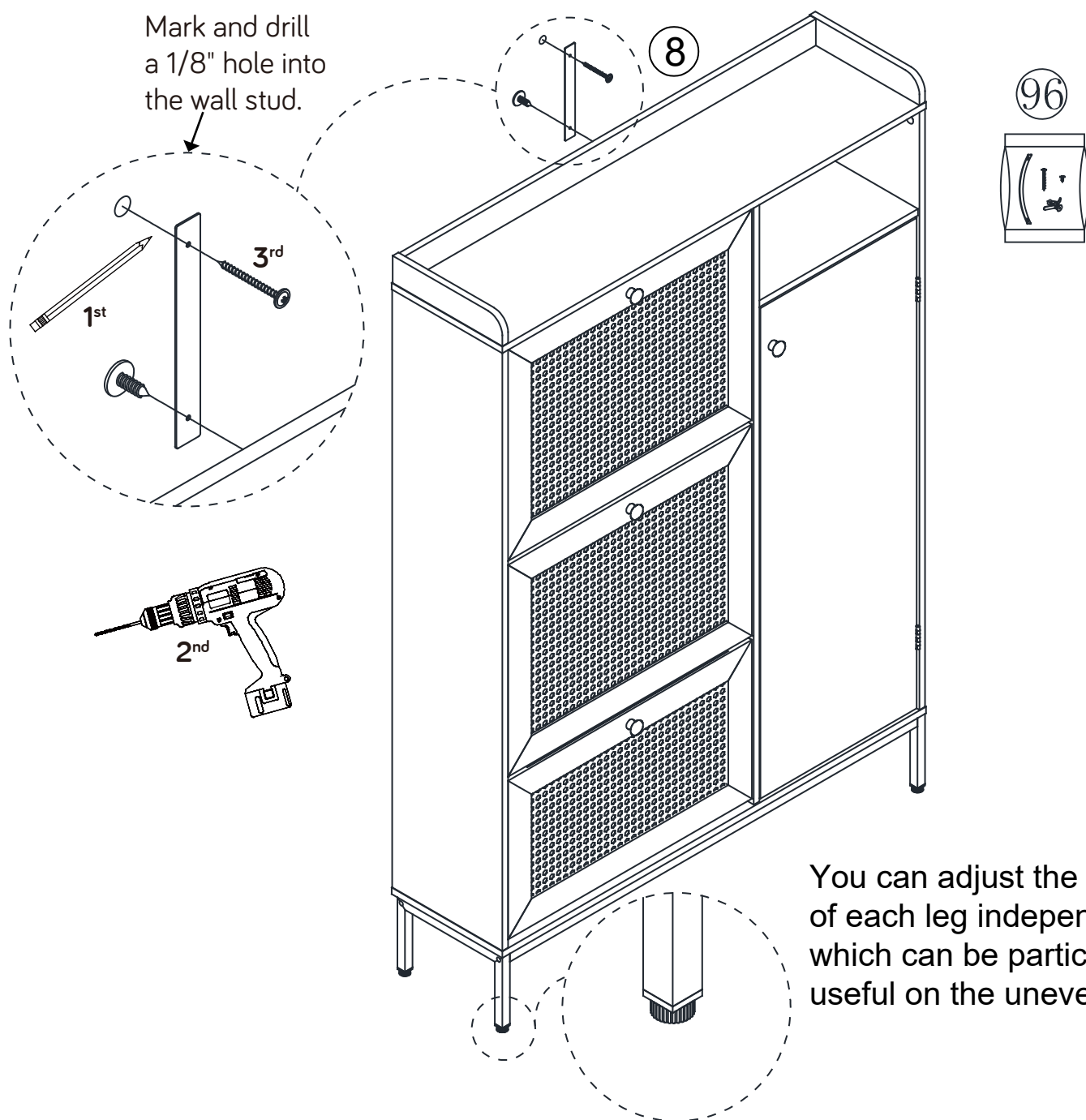
Open the FURNITURE TIPPING RESTRAINT KIT (96) and fasten the SAFETY STRAP to the TOP (A). Use the SHORT SCREW through the hole in the strap and into the top surface of the TOP (1). Place your unit in its final location.

NOTE: The following instructions show your unit being fastened to a wall stud. If you are not fastening your unit wall stud, go to the next step now.

1st- Locate the center of a stud in your wall near your unit and mark it with a pencil.

2nd- Drill a 1/8" hole on the mark and into the stud in your wall.

3rd- Fasten the unit to the wall. Use the LONG SCREW through the other end of the SAFETY STRAP and into the 1/8" hole.



39

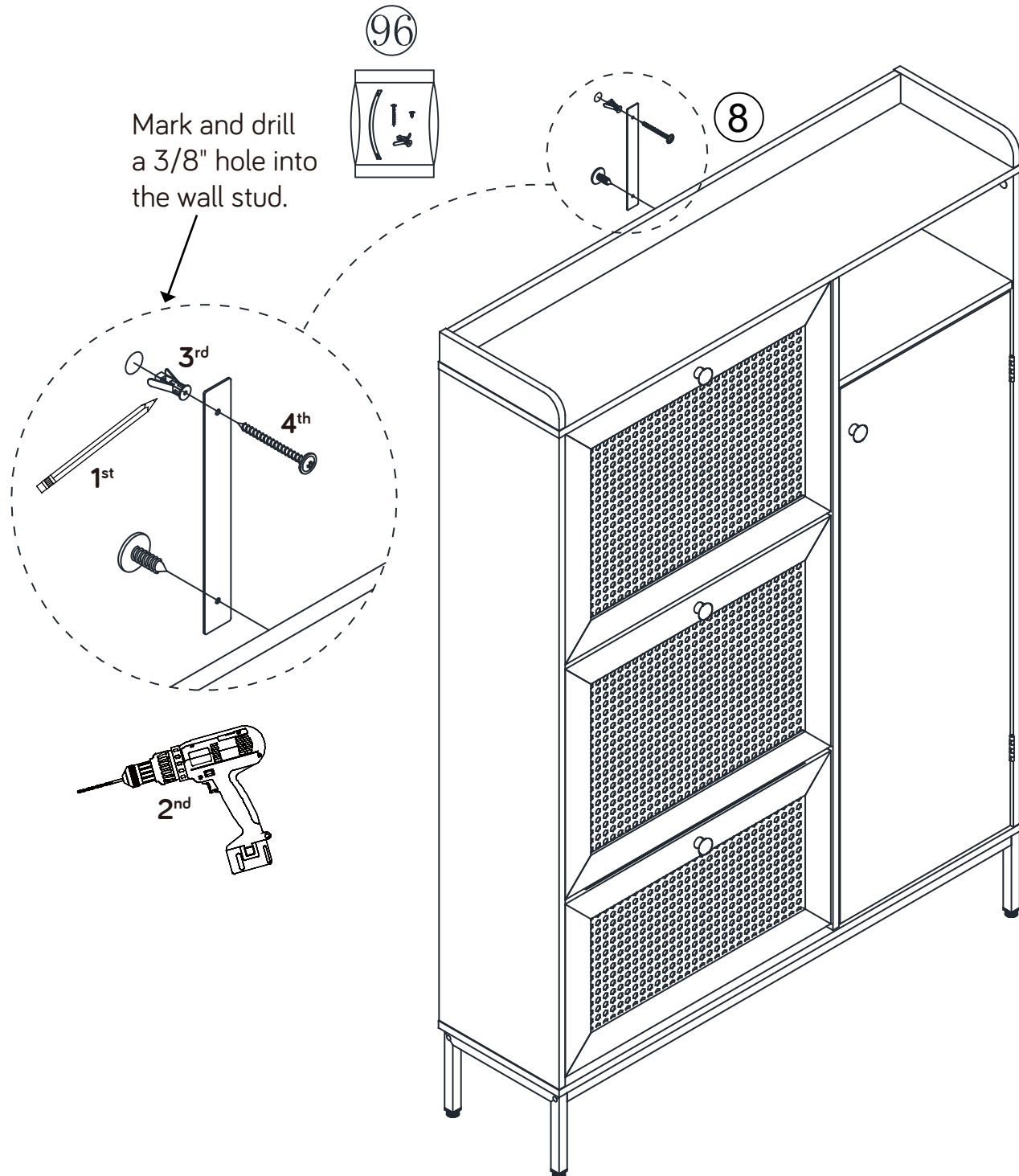
1st- With your pencil, strike a mark through the center of the hole in the SAFETY STRAP.

2nd- Drill a 3/8" hole on the mark.

3rd- While you squeeze the wings together, gently tap the WALL ANCHOR from the FURNITURE TIPPING RESTRAINT KIT (96) into the hole until it is even with the surface of the wall.

4th- Turn the LONG SCREW through the hole in the SAFETY STRAP and into the WALL ANCHOR.

NOTE: You will need to turn the LONG SCREW multiple turns to completely tighten and secure your unit.



IMPORTANT SAFETY INFORMATION

Please carefully read the instructions and caution warnings below before assembling the product. Following this guide will ensure that you install, use and maintain the product properly.

Please keep this installation and user manual/instructions for future reference in case you need to assemble the product.

Do not assemble if you notice serious damage such as cracks or bends.

During installation, please use work gloves for hand safety.

Please assemble the unit on carpeted floor or the flat cardboard box to avoid scratching the surface or your floor while assembling on the floor.

To assemble, please use the complimentary installation tools (Allen Wrench). Pay more attention to the direction of components at each steps.

It is recommended that two people work together to assemble the product.

Please do not tighten the screws up too much, just to 80% before you finish to make the installation go on successfully.

How to find us?

Customer Service

Email: support@idealhouse.vip