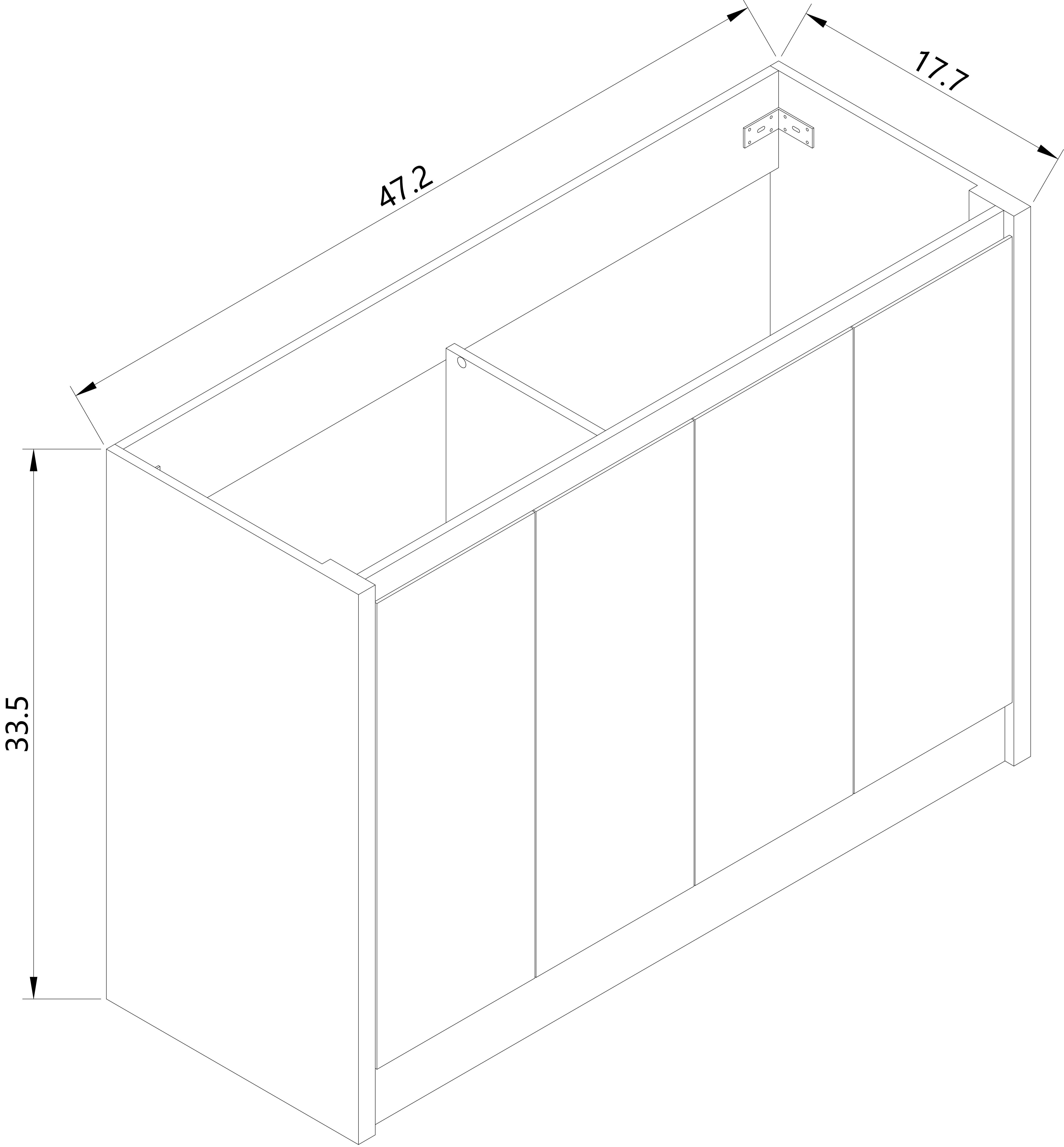


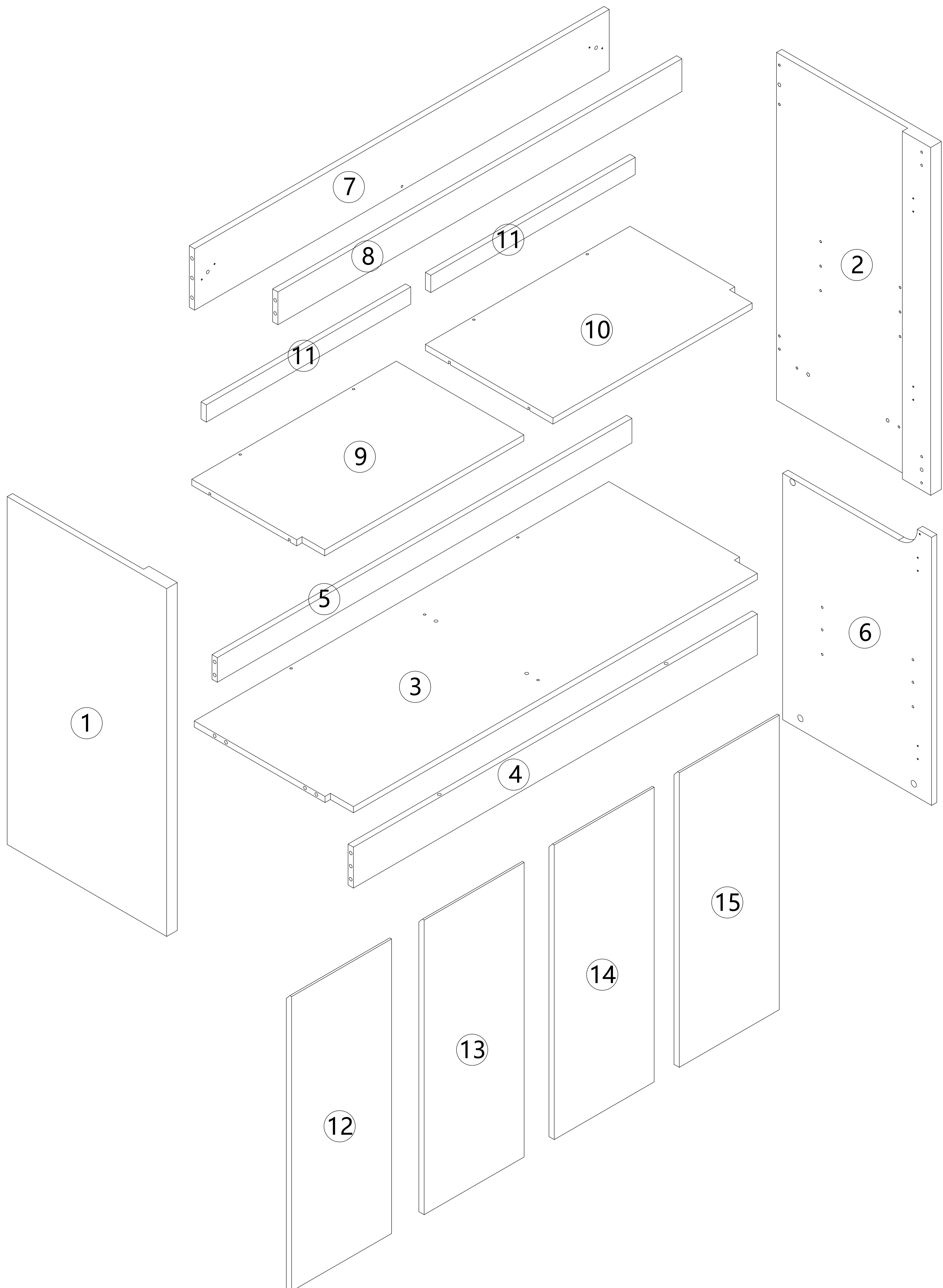
INSTALLATION INSTRUCTIONS

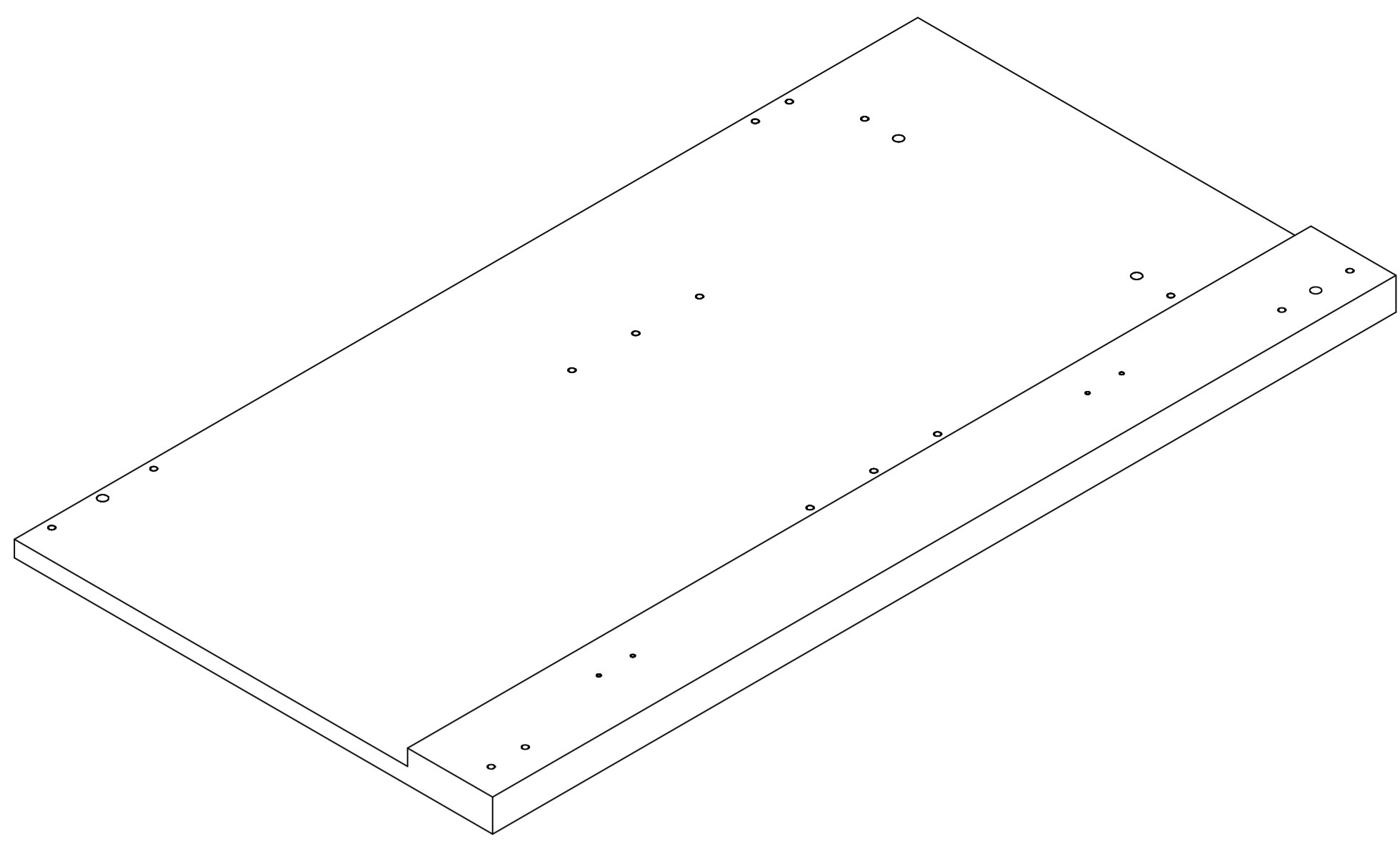
*The vessel and faucet set is not included

Unit:inch

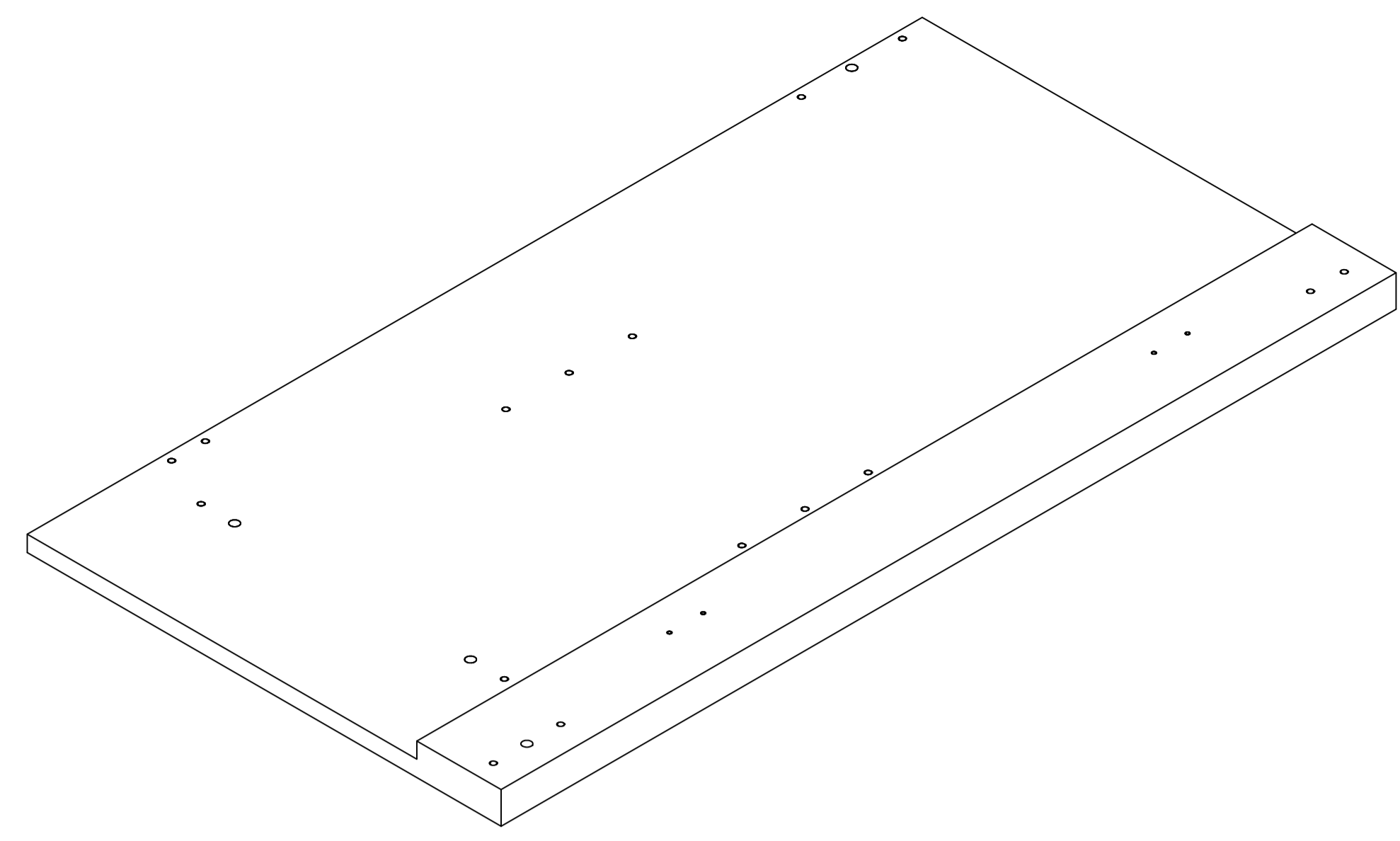


EXPLOSION FIGURE

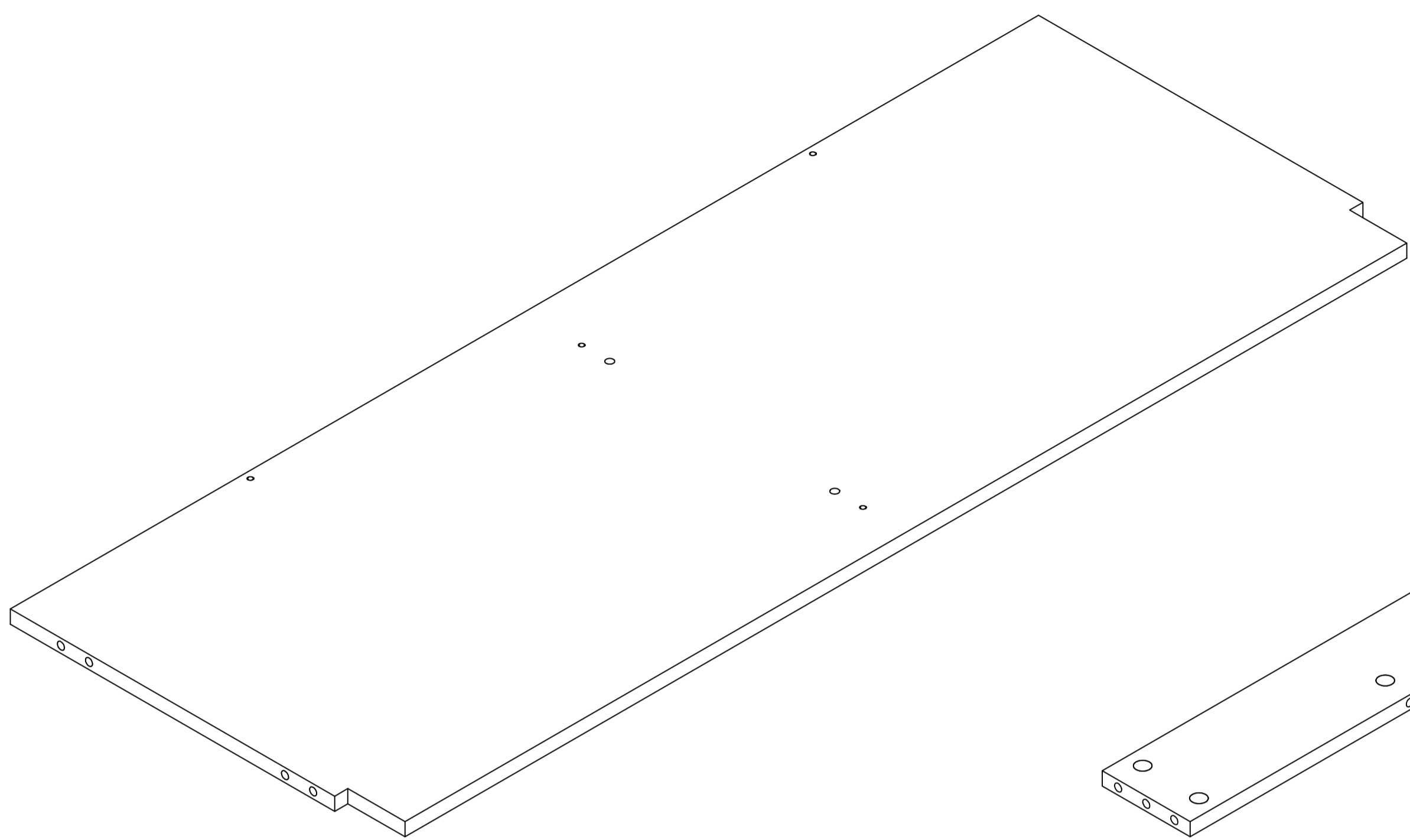




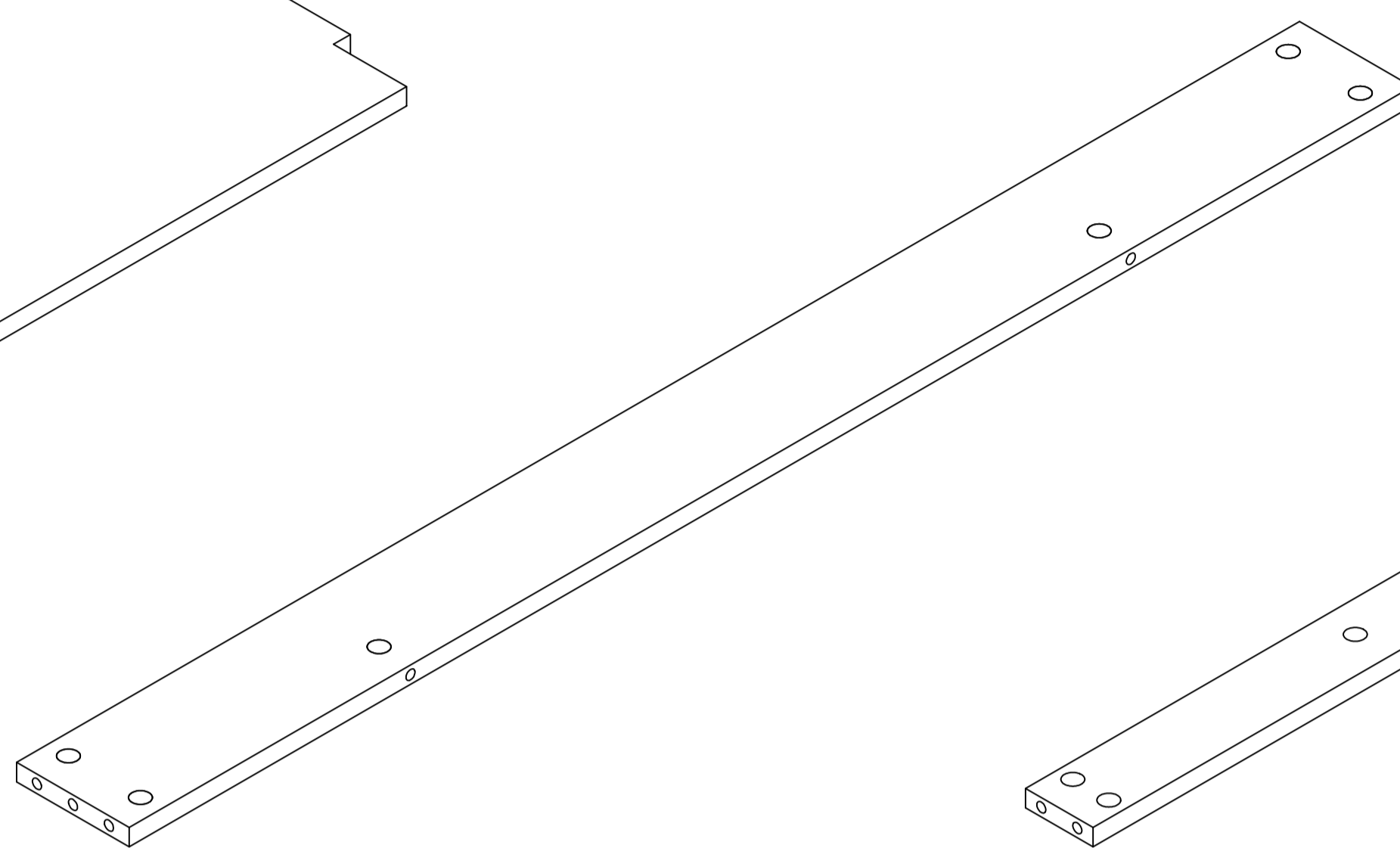
1



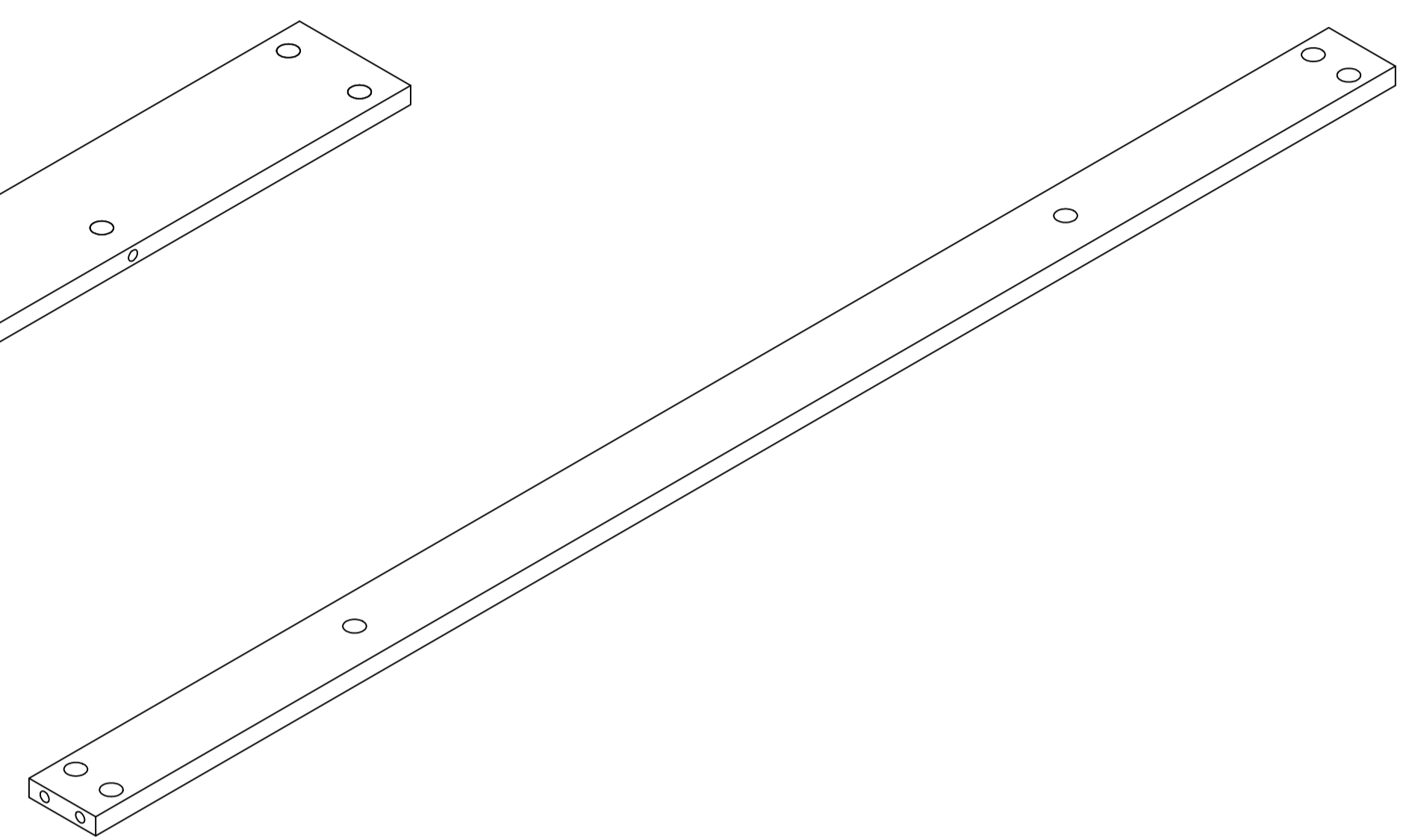
2



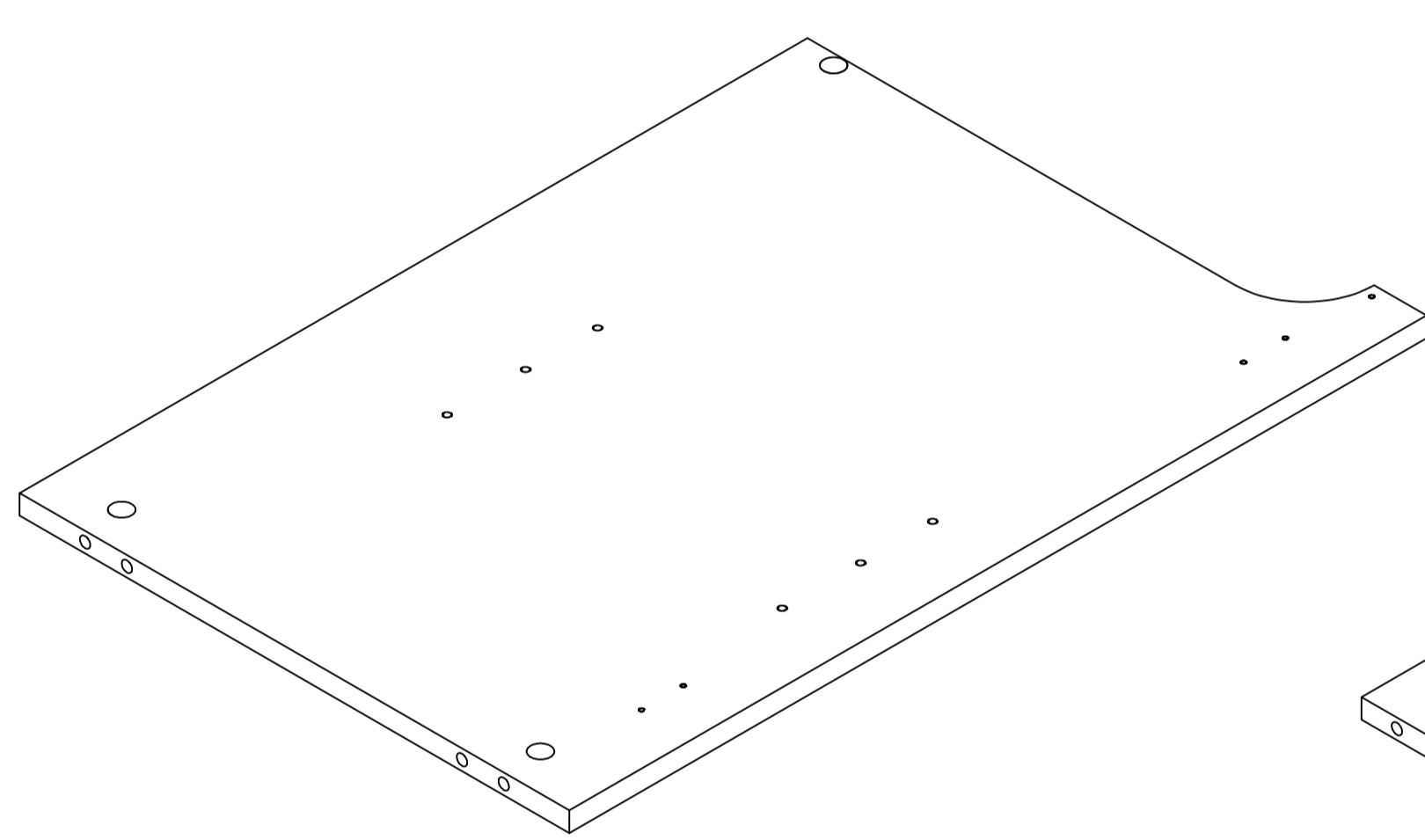
3



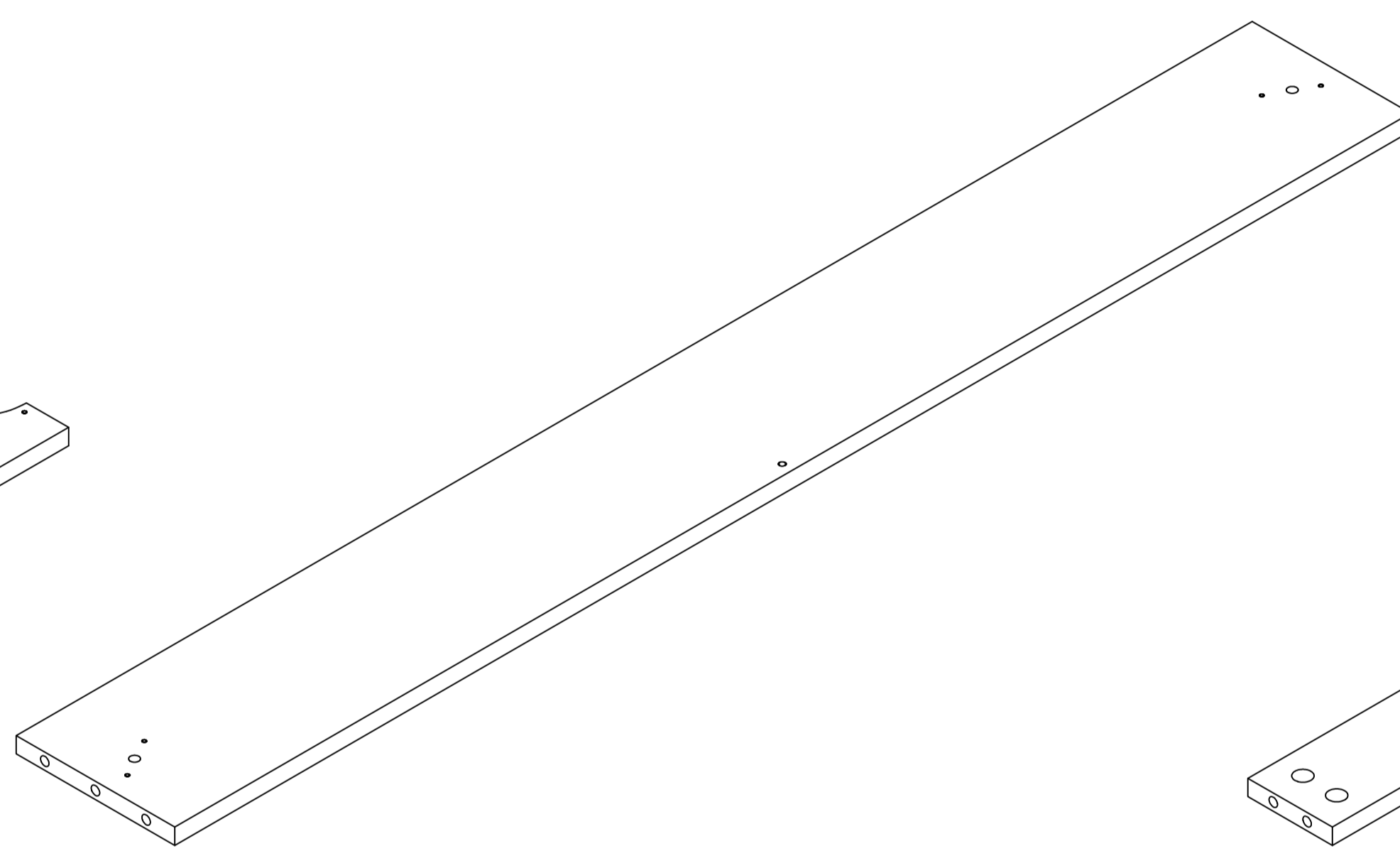
4



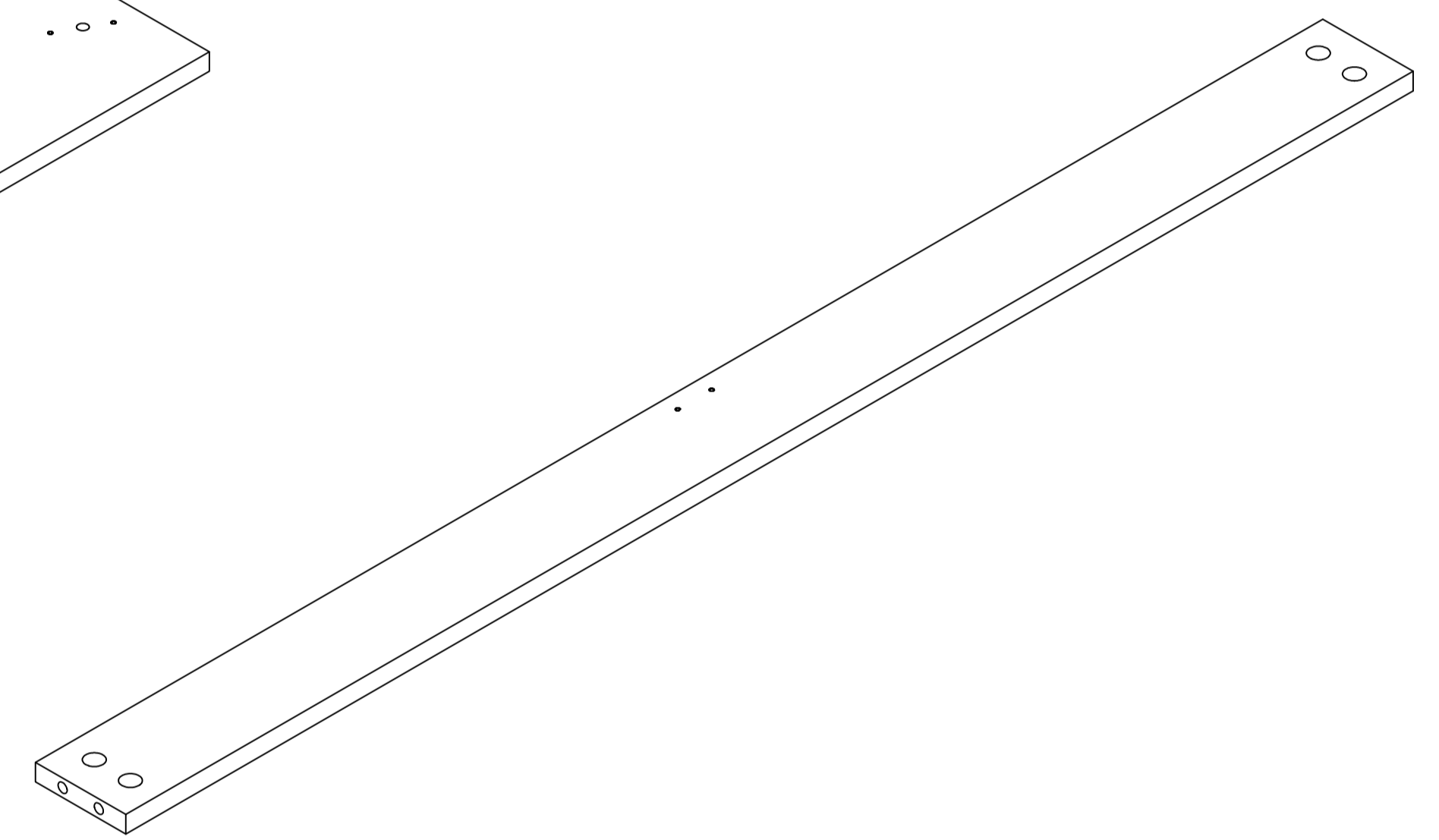
5



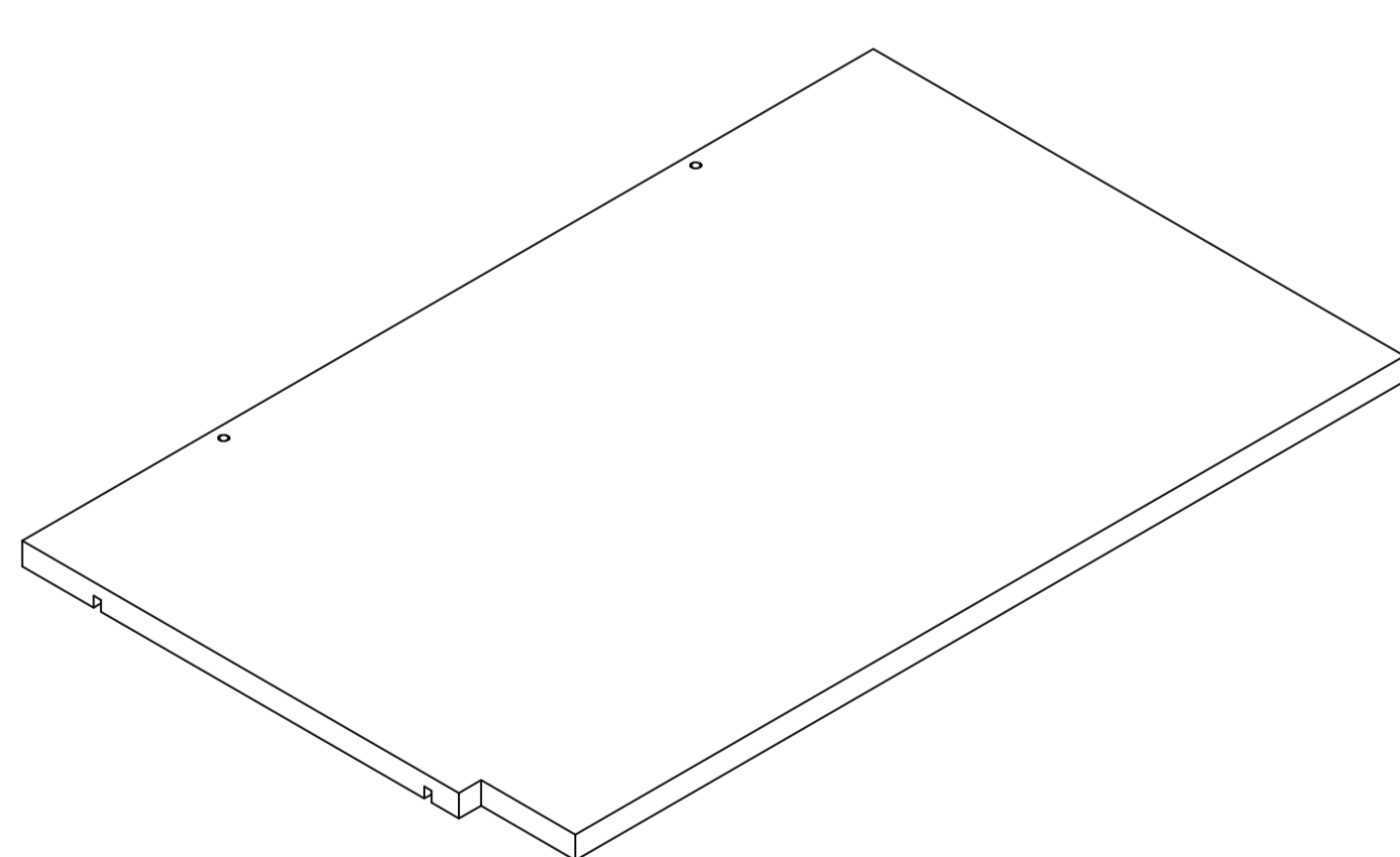
6



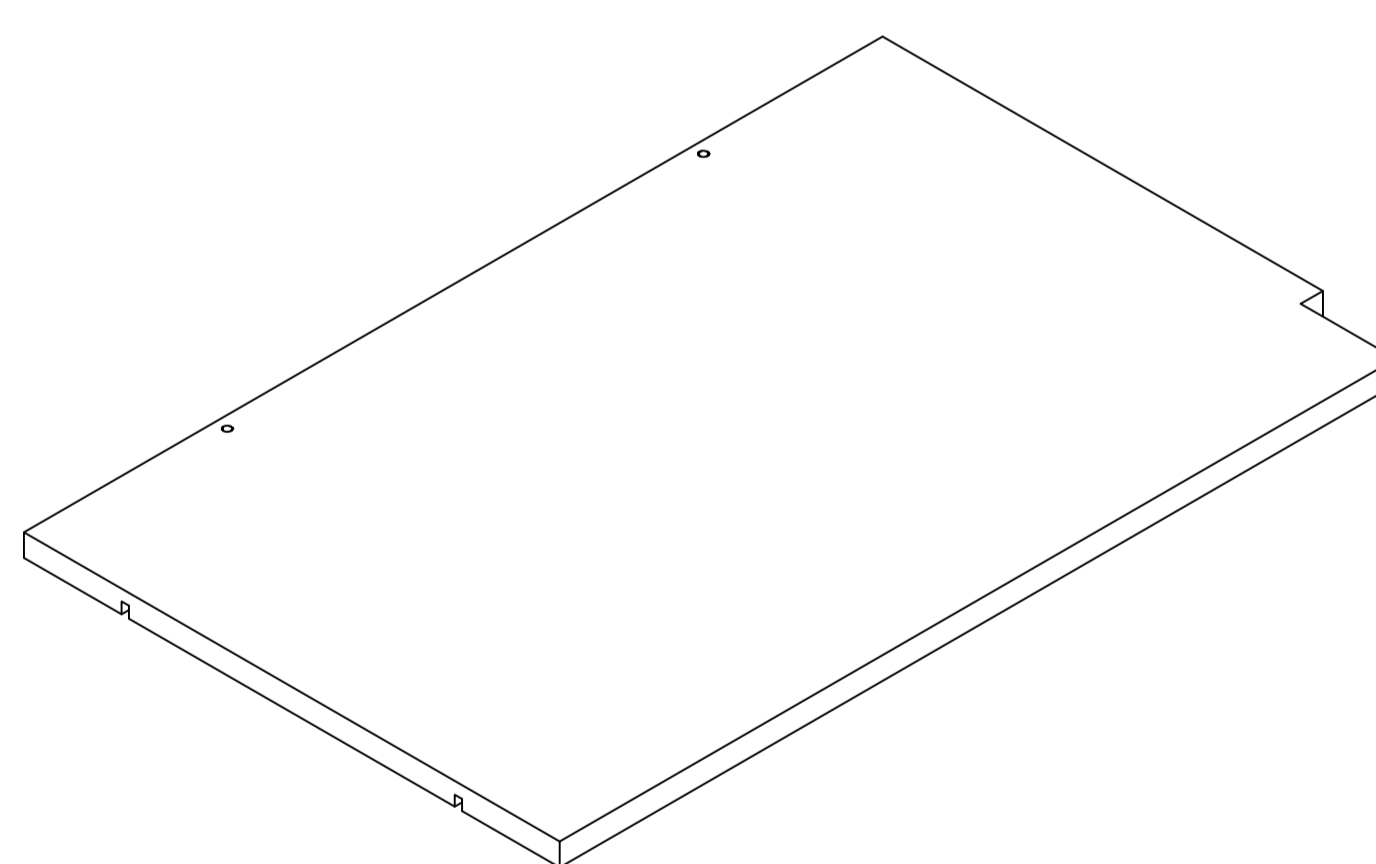
7



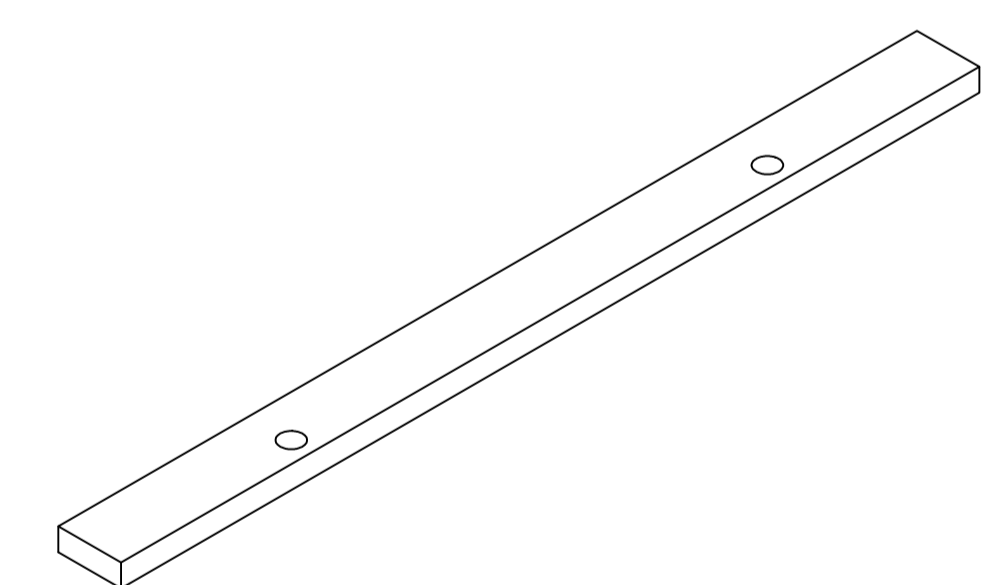
8



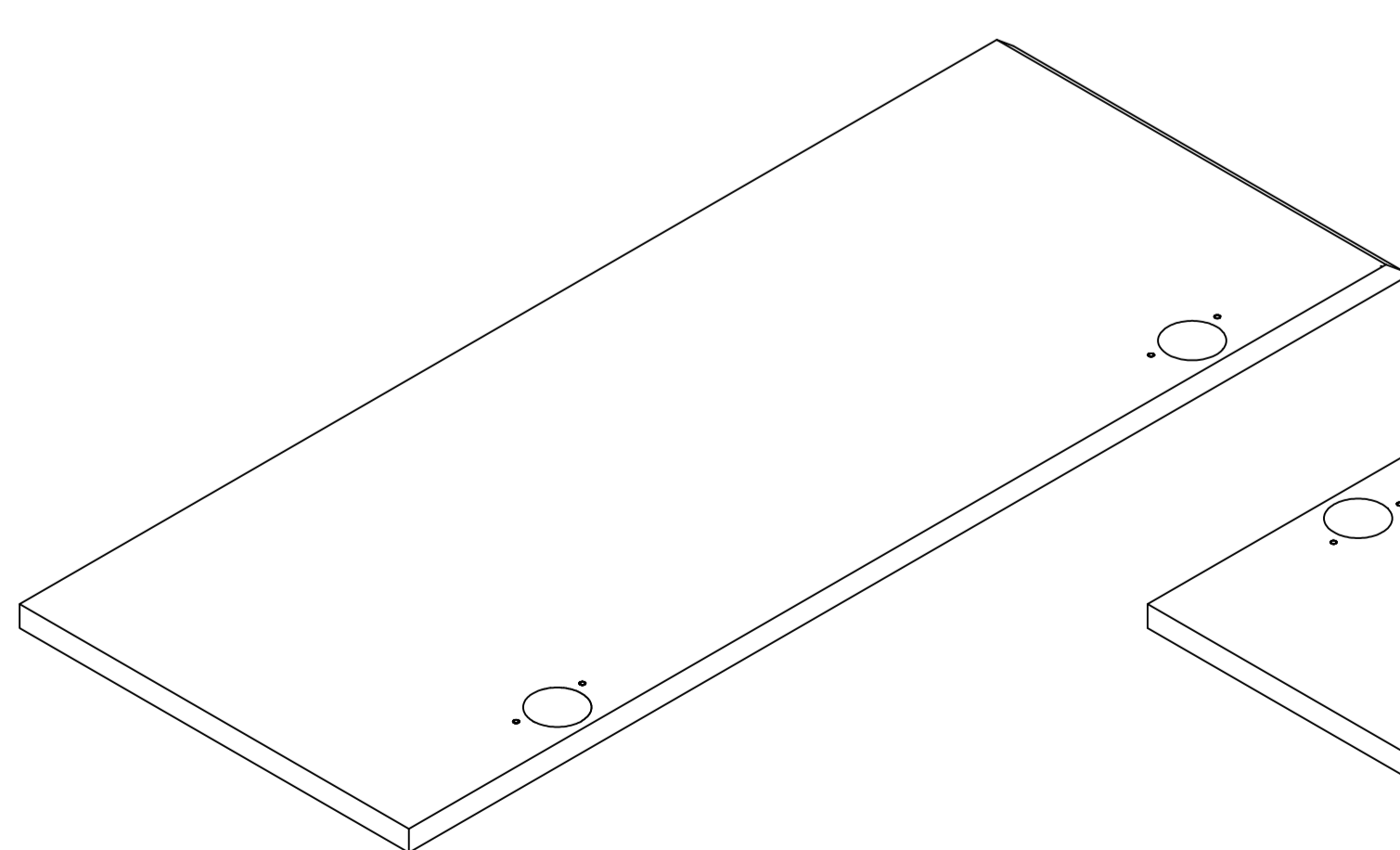
9



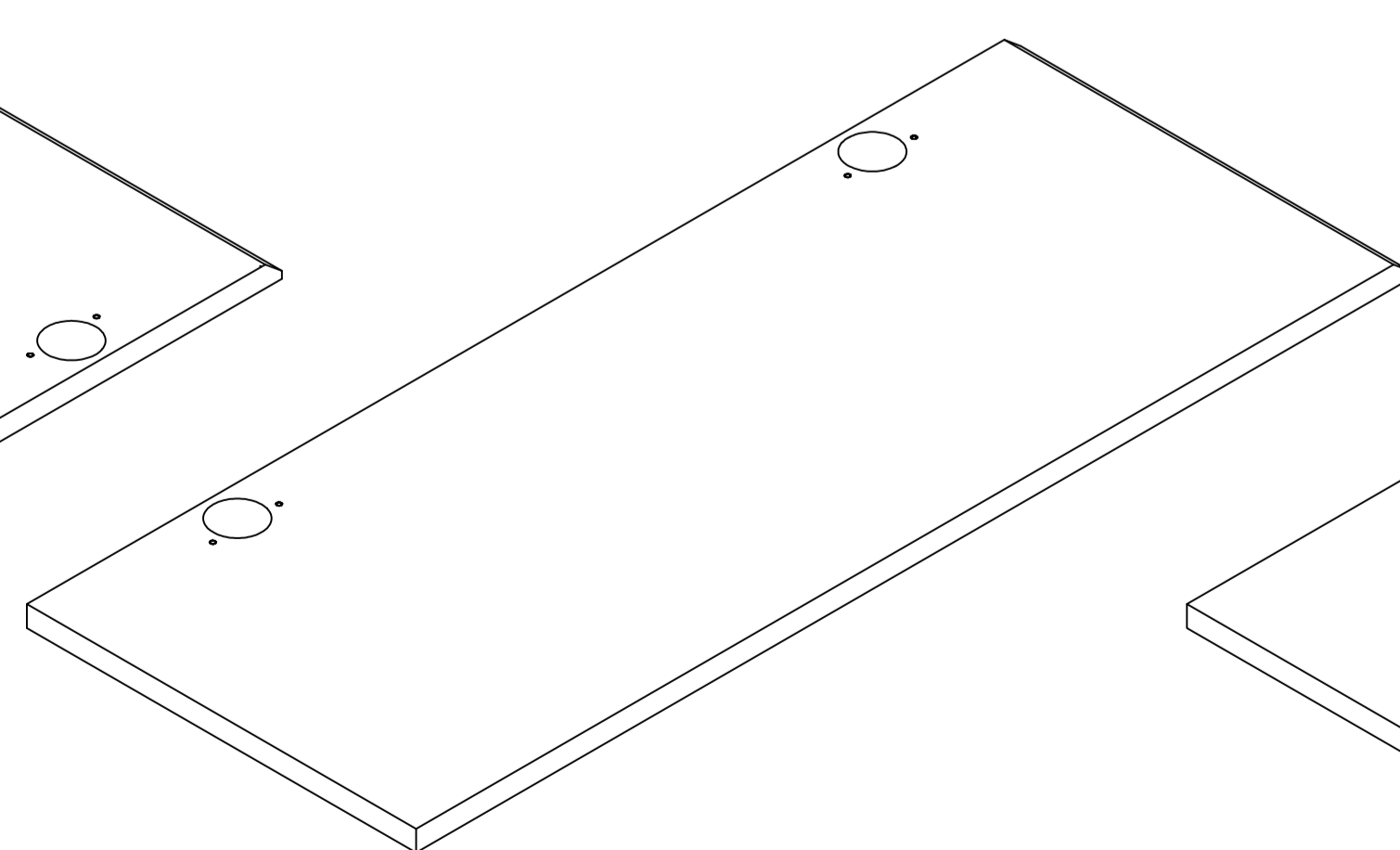
10



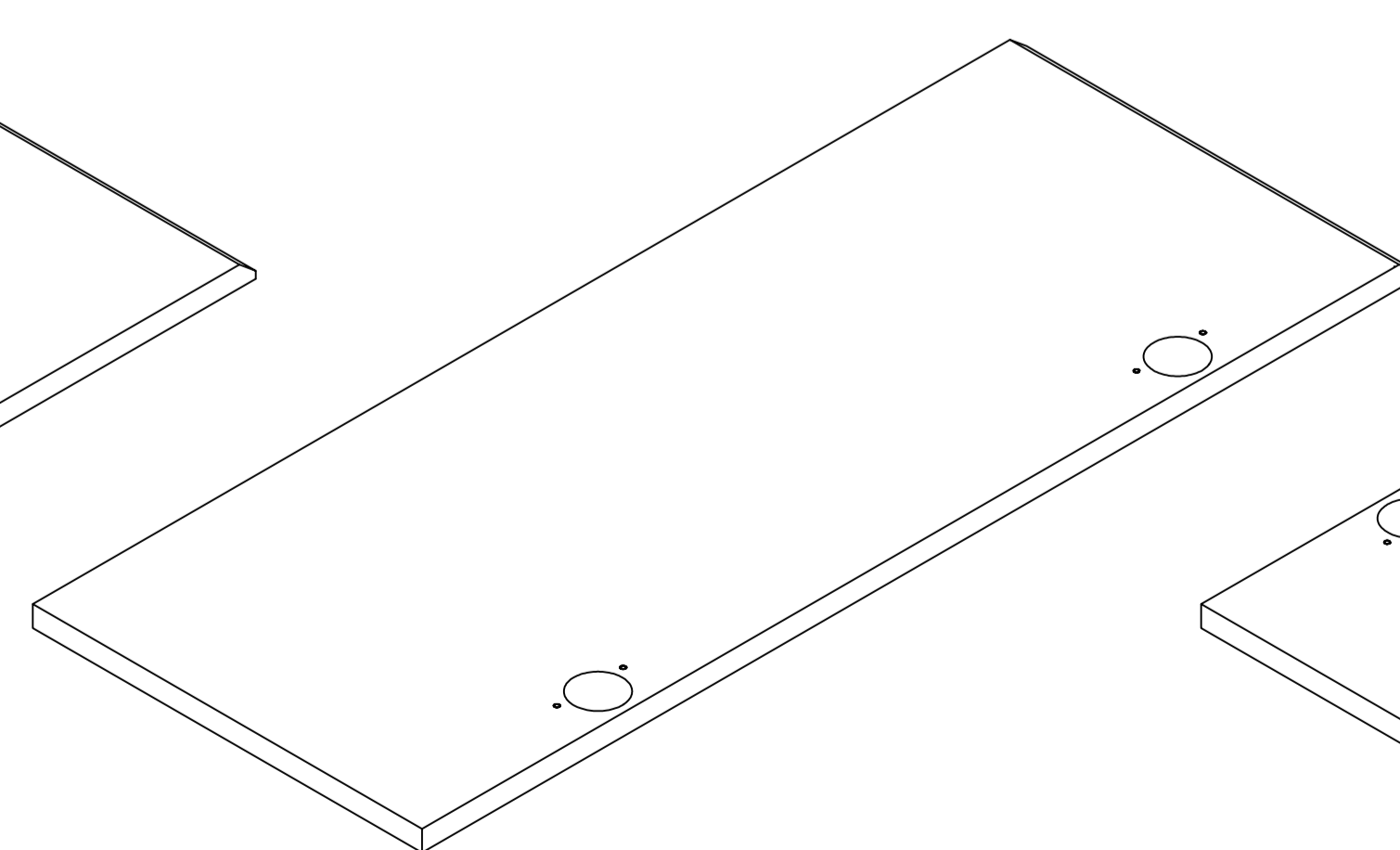
11 x 2



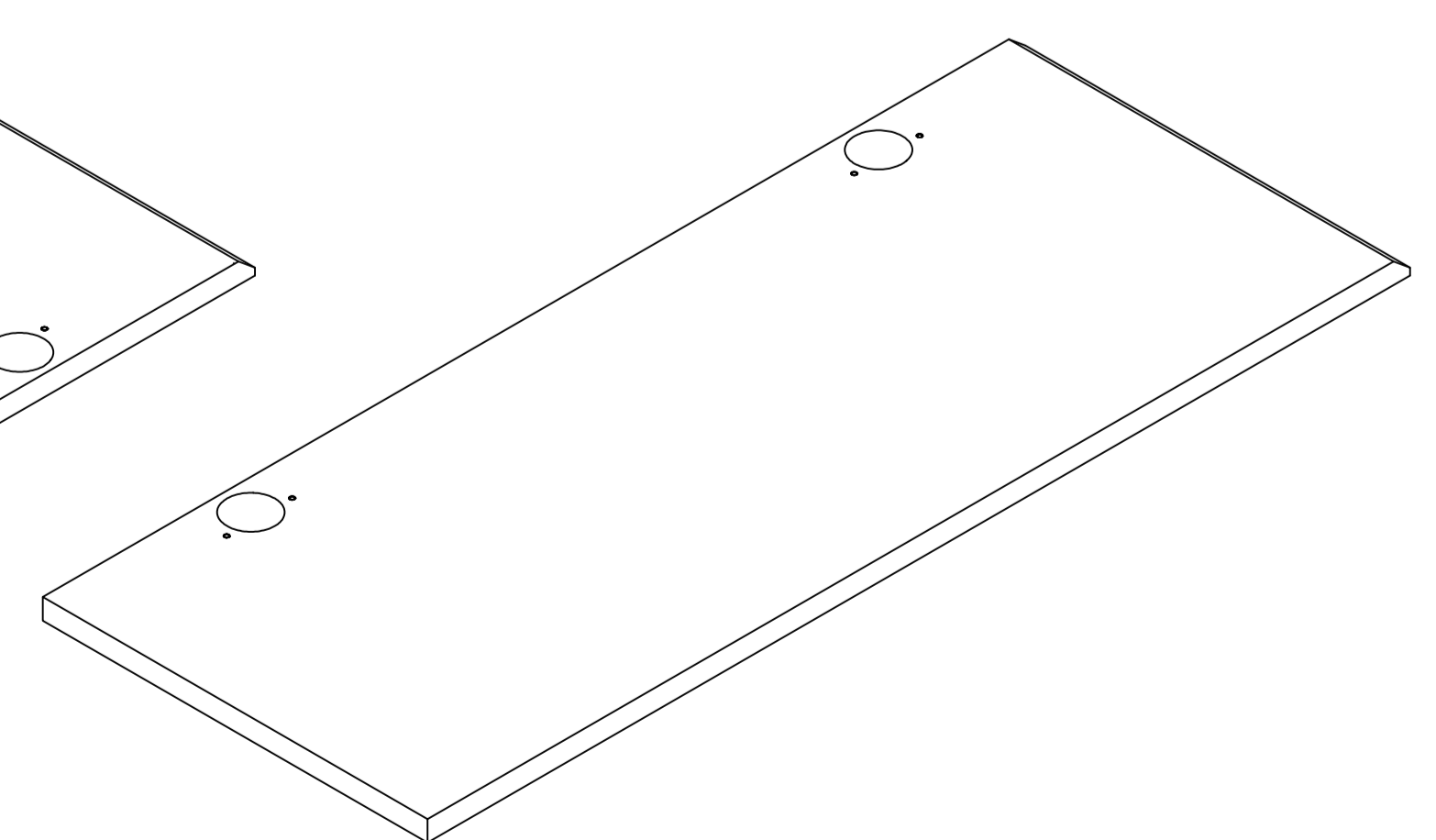
12



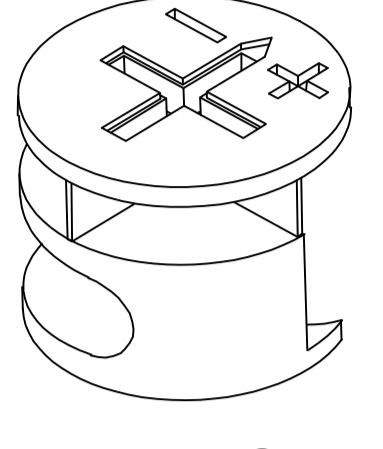
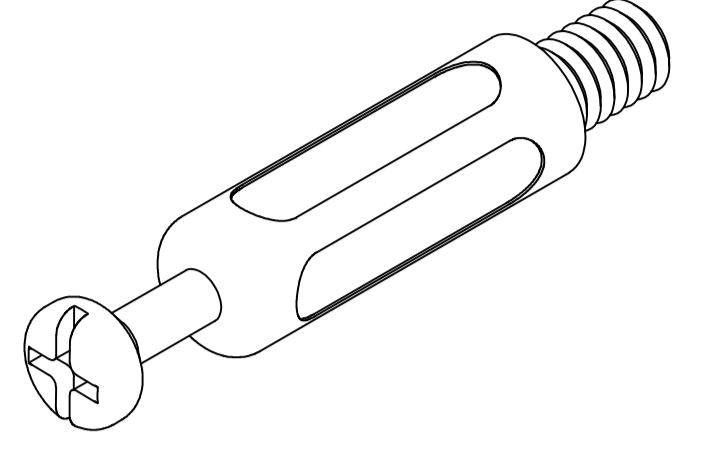
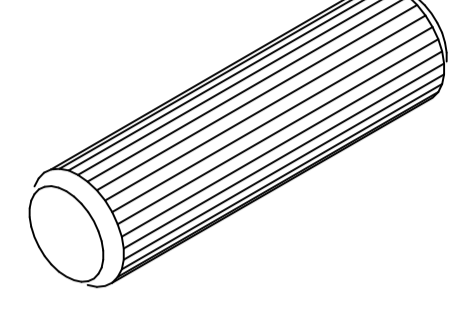
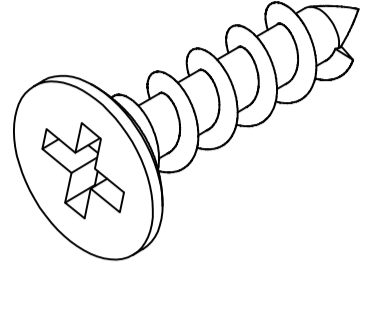
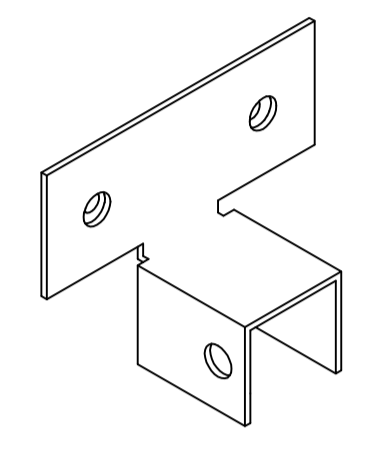
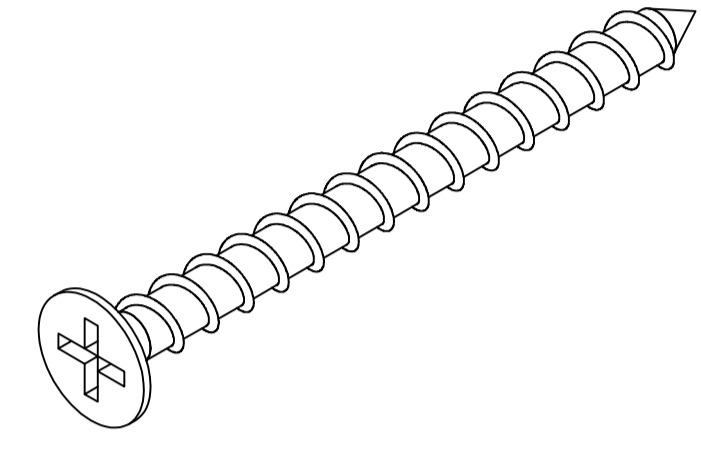
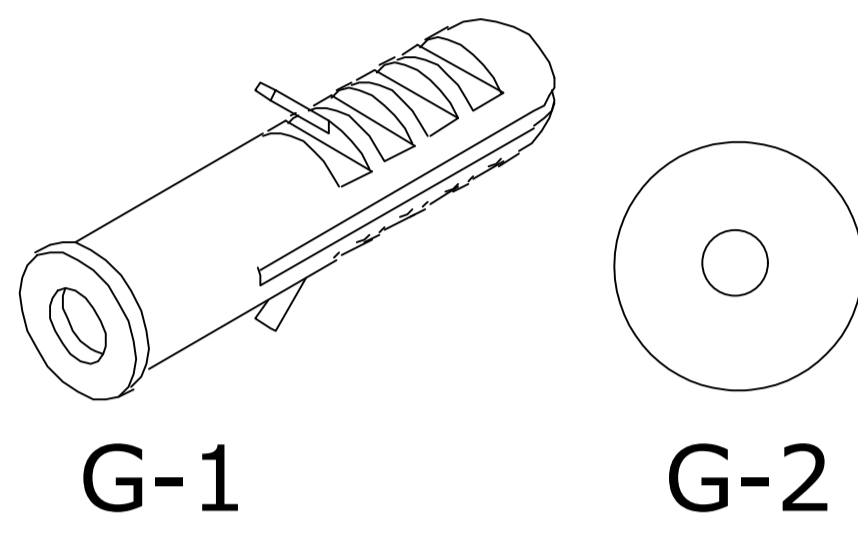
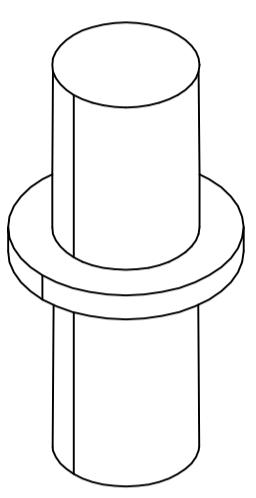
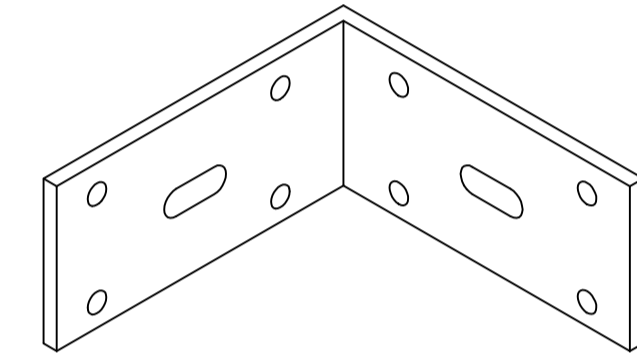
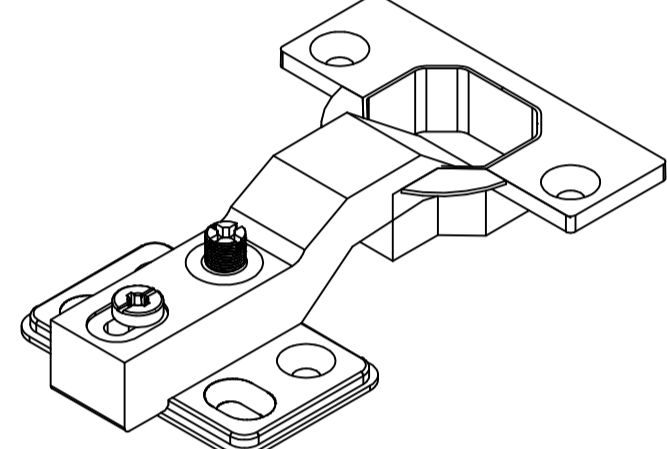
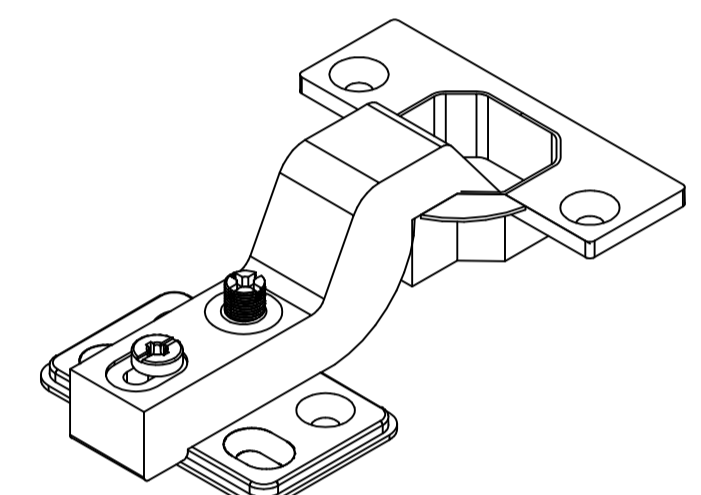
13



14

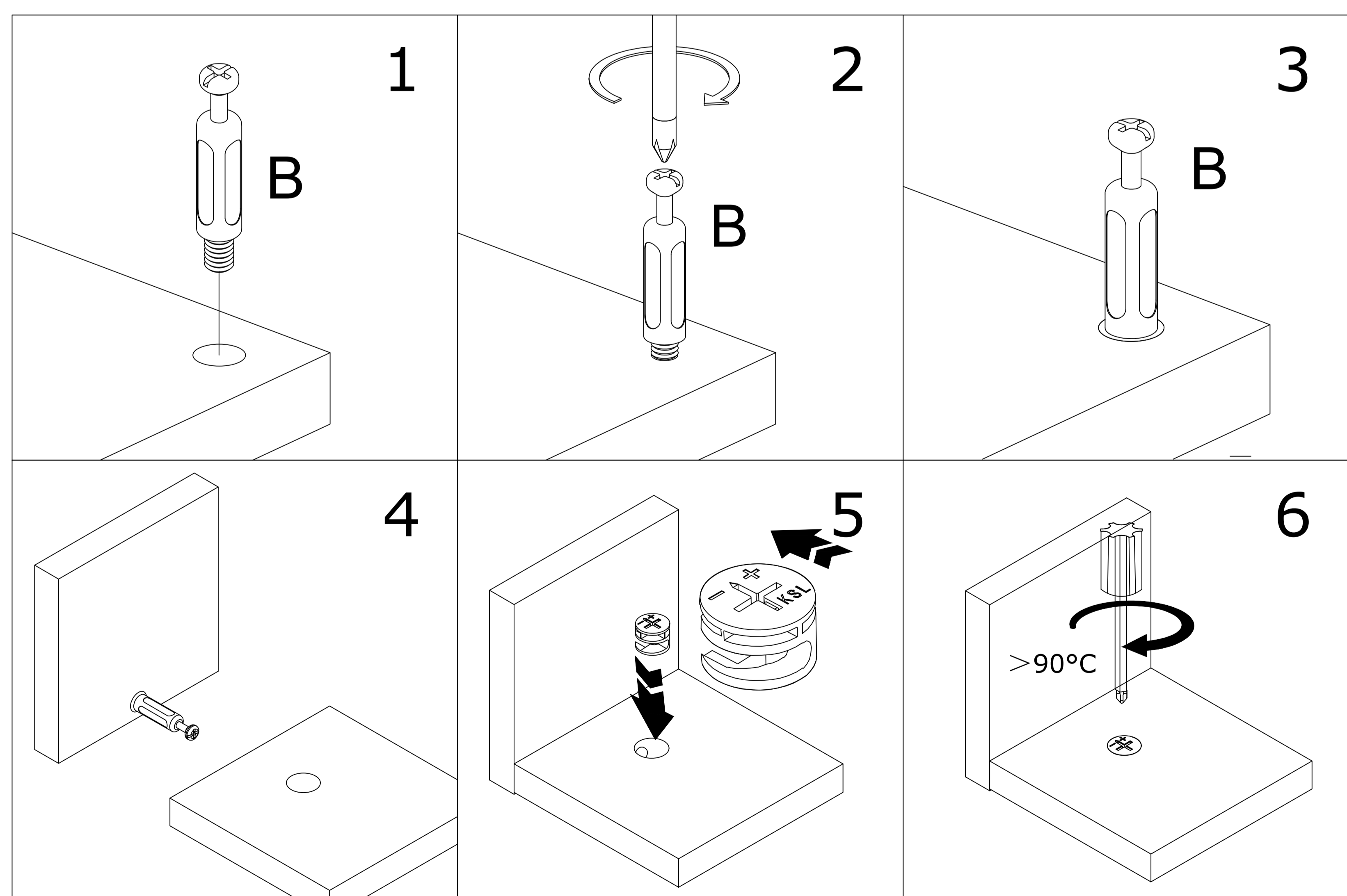
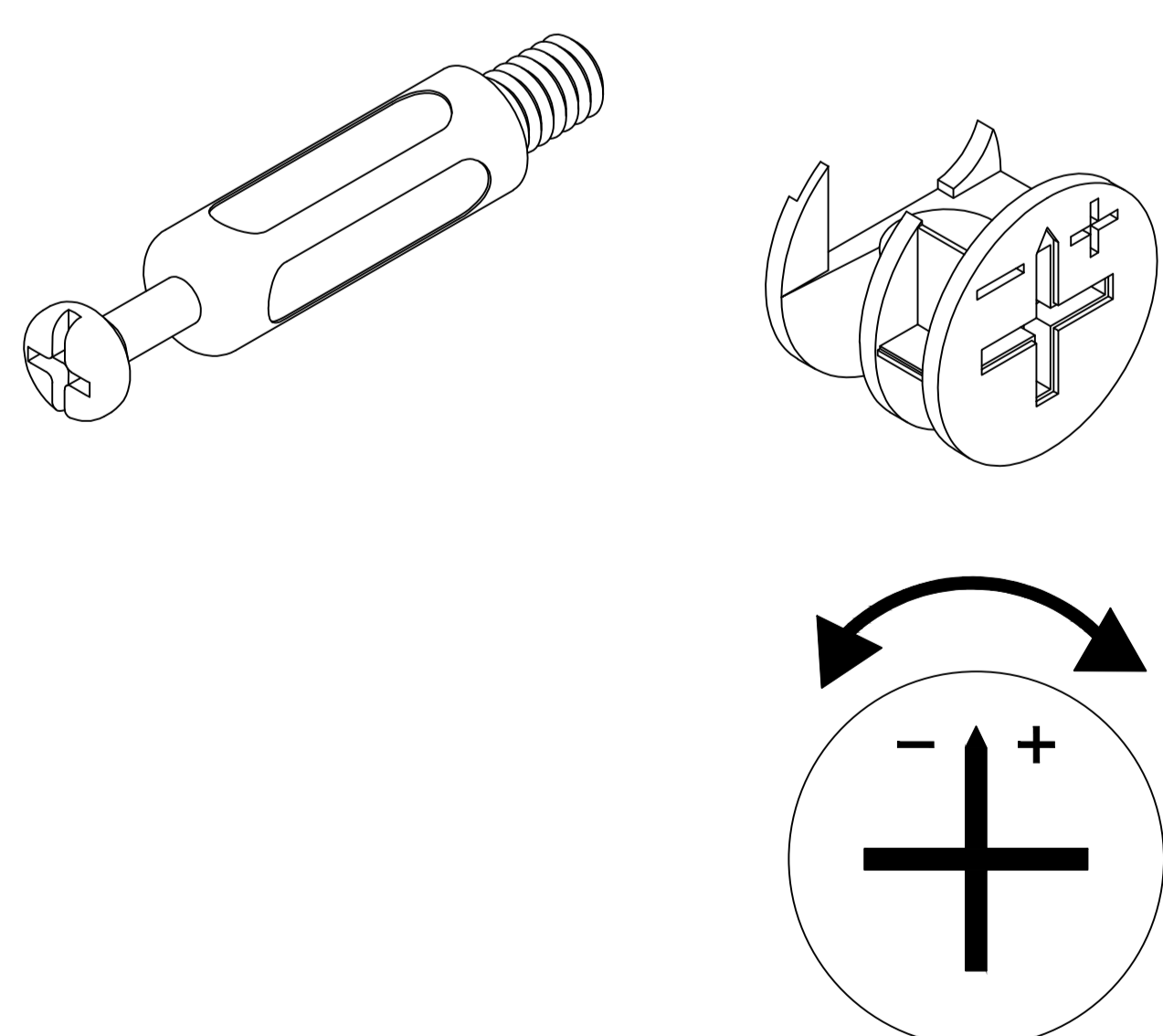


15

<p>A x 31</p>  <p>Ø 15 x 12 mm</p>	<p>B x 31</p>  <p>Ø 6 x 35 mm</p>	<p>C x 8</p>  <p>Ø 8 x 30 mm</p>	<p>D x 68</p>  <p>Ø 4 x 14 mm</p>
<p>E x 1</p> 	<p>F x 2</p>  <p>Ø 4 x 45 mm</p>	<p>G x 2</p>  <p>G-1 G-2</p>	<p>H x 8</p> 
<p>J x 2</p> 	<p>K x 4</p> 	<p>L x 4</p> 	

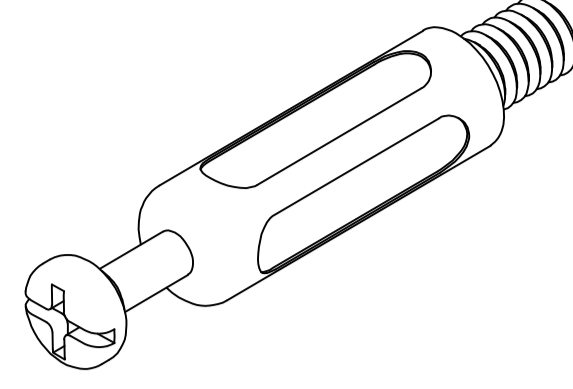
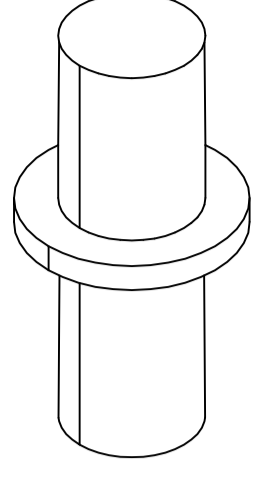
Cam Lock Fastening System

This Cam Lock Fastening System will be used throughout the assembly process

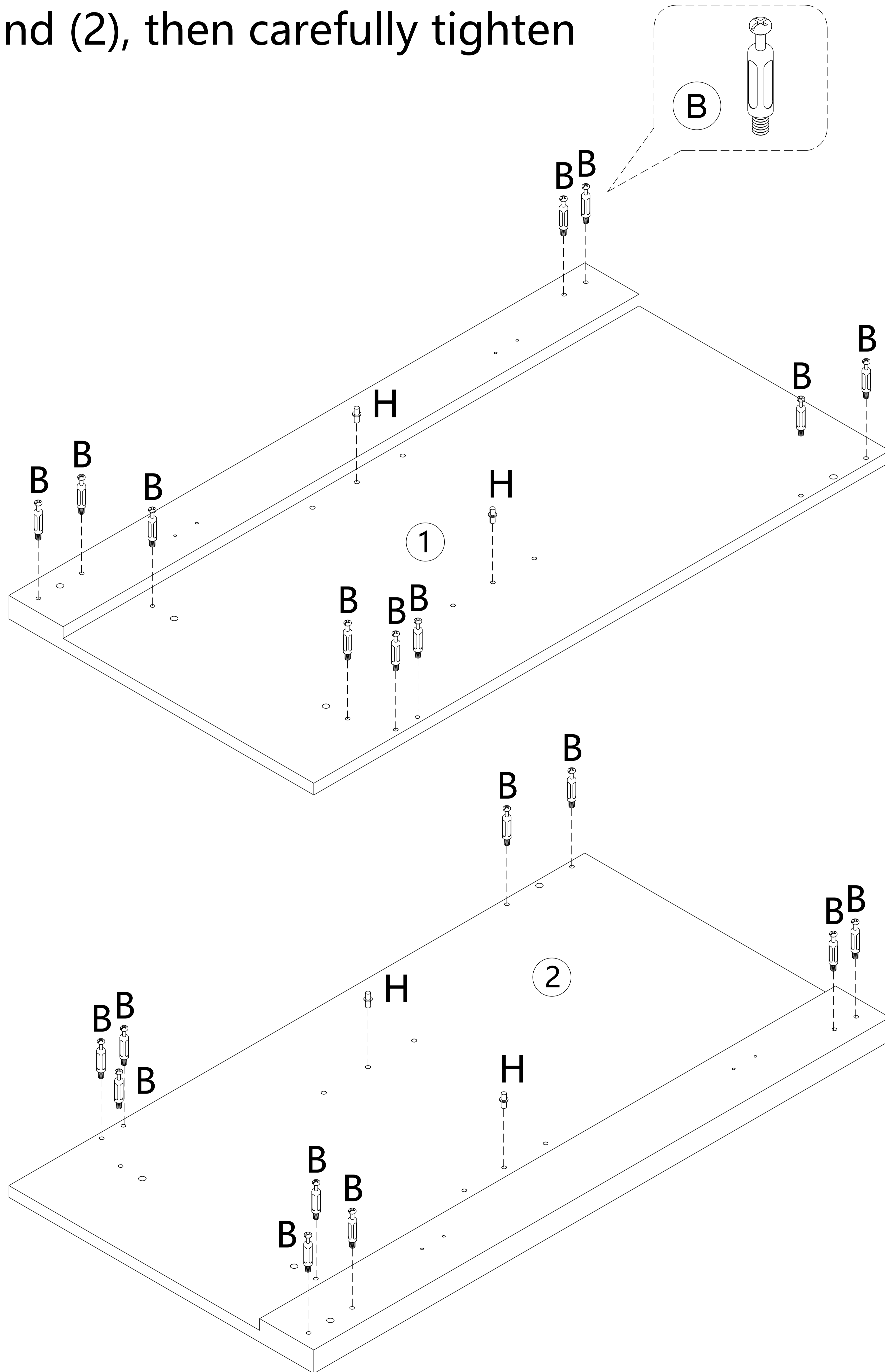


Point the opening towards the edge of the board.

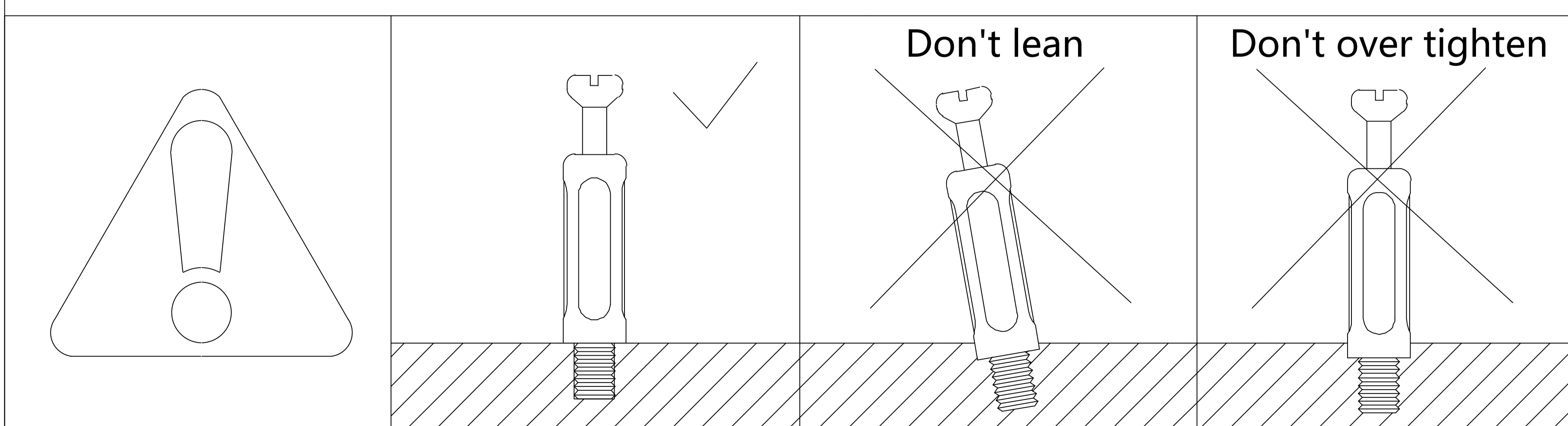
1

<p>B x 20</p>  <p>∅ 6 x 35 mm</p>	<p>H x 4</p> 	
--	--	--

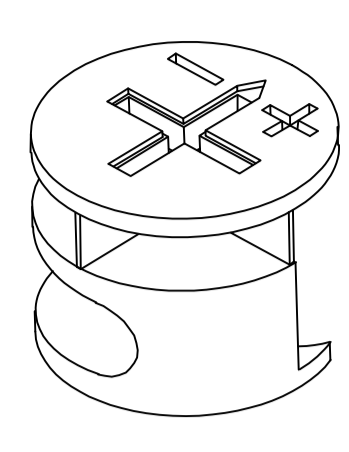
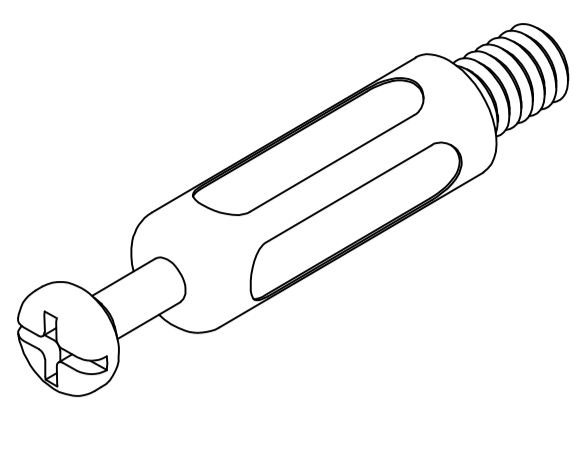
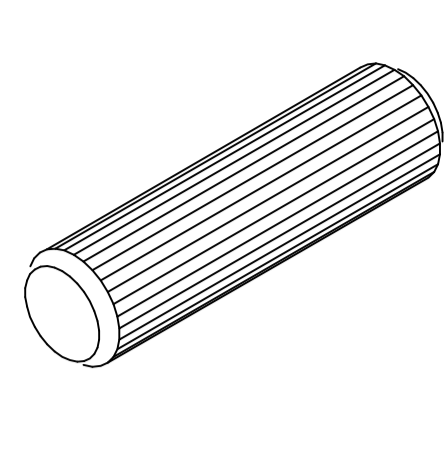
- Refer to the illustration.
Screw the screws (B) and (H) into the panel (1) and (2), then carefully tighten them



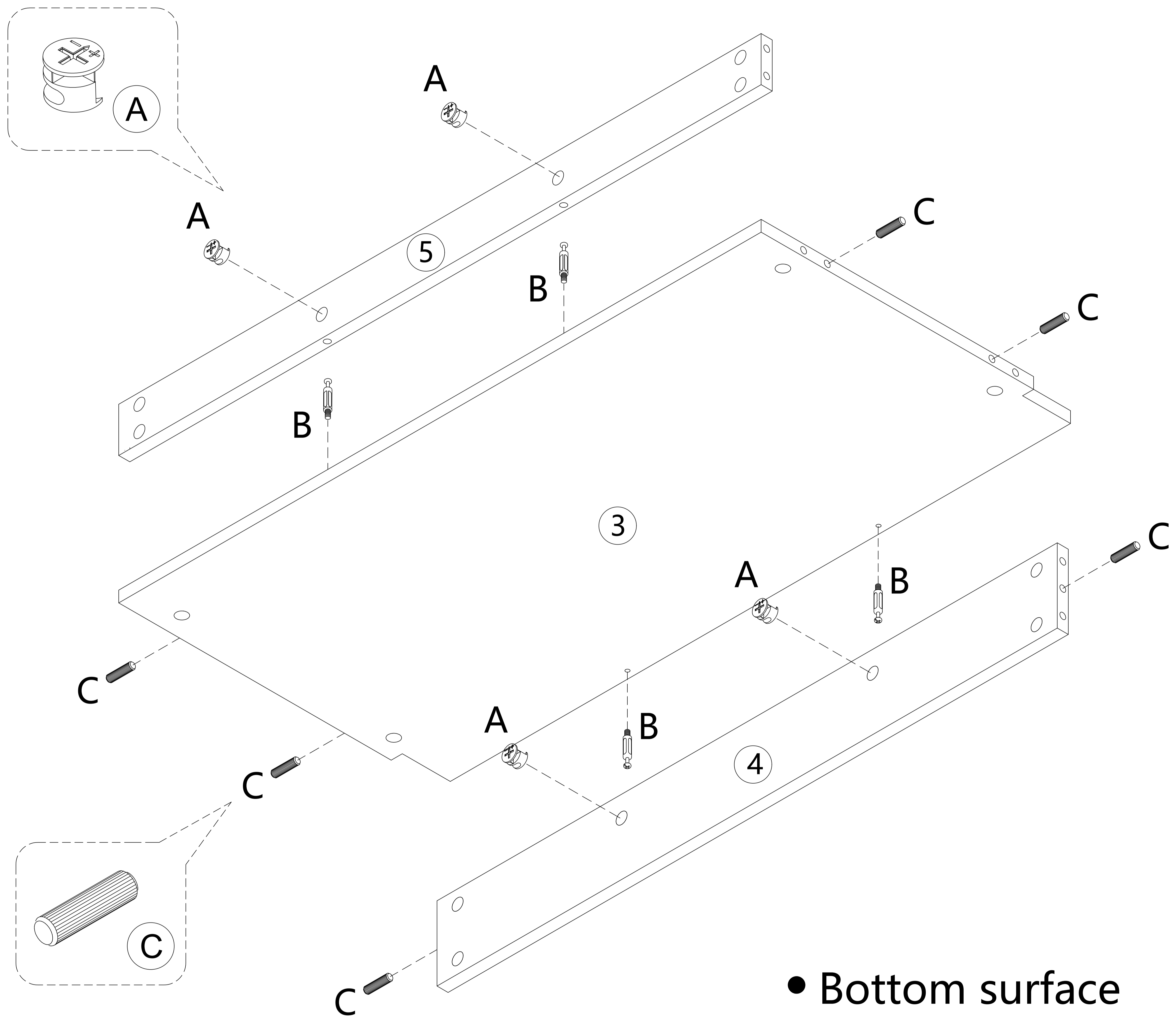
Reference case images



2

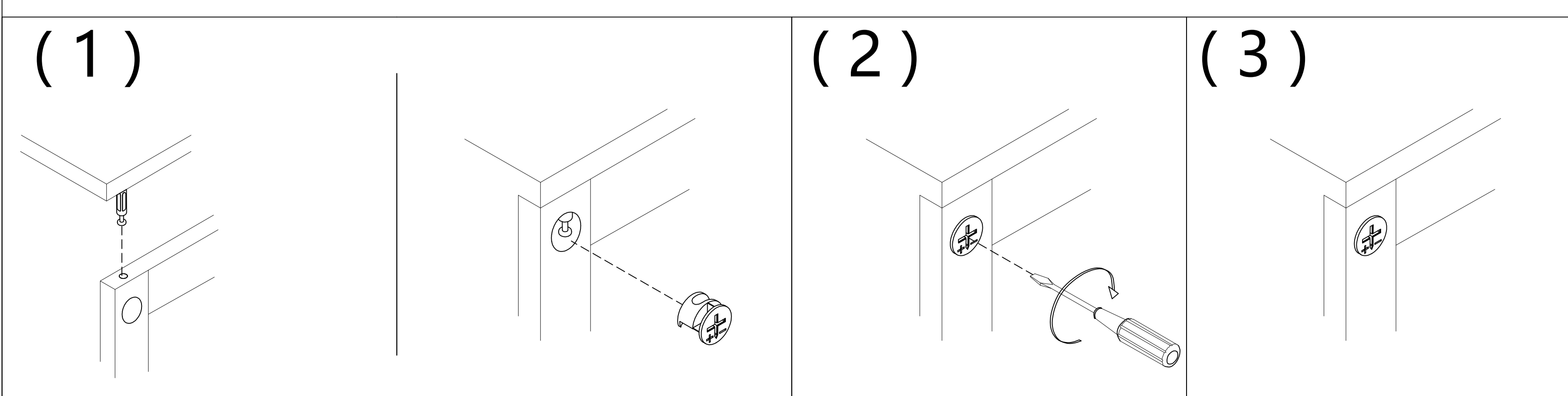
<p>A x 4</p>  <p>Ø 15 x 12 mm</p>	<p>B x 4</p>  <p>Ø 6 x 35 mm</p>	<p>C x 6</p>  <p>Ø 8 x 30 mm</p>	
--	---	---	--

- Refer to the illustration.
Screw the screw (B) into panel (3), connect panels (4) and (5), and tighten the locking buckle (A). Insert the wooden pole (C) into the panel (3) (4)

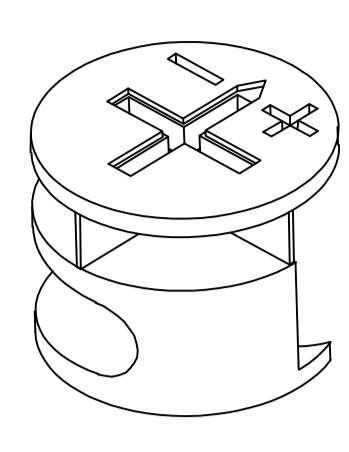
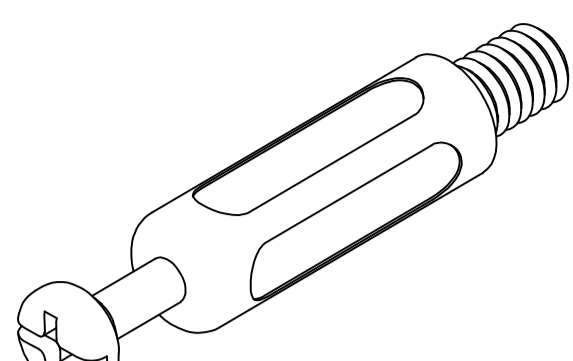
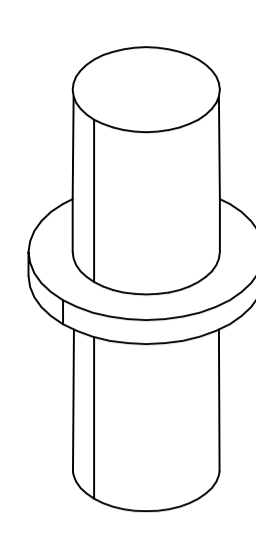


• Bottom surface

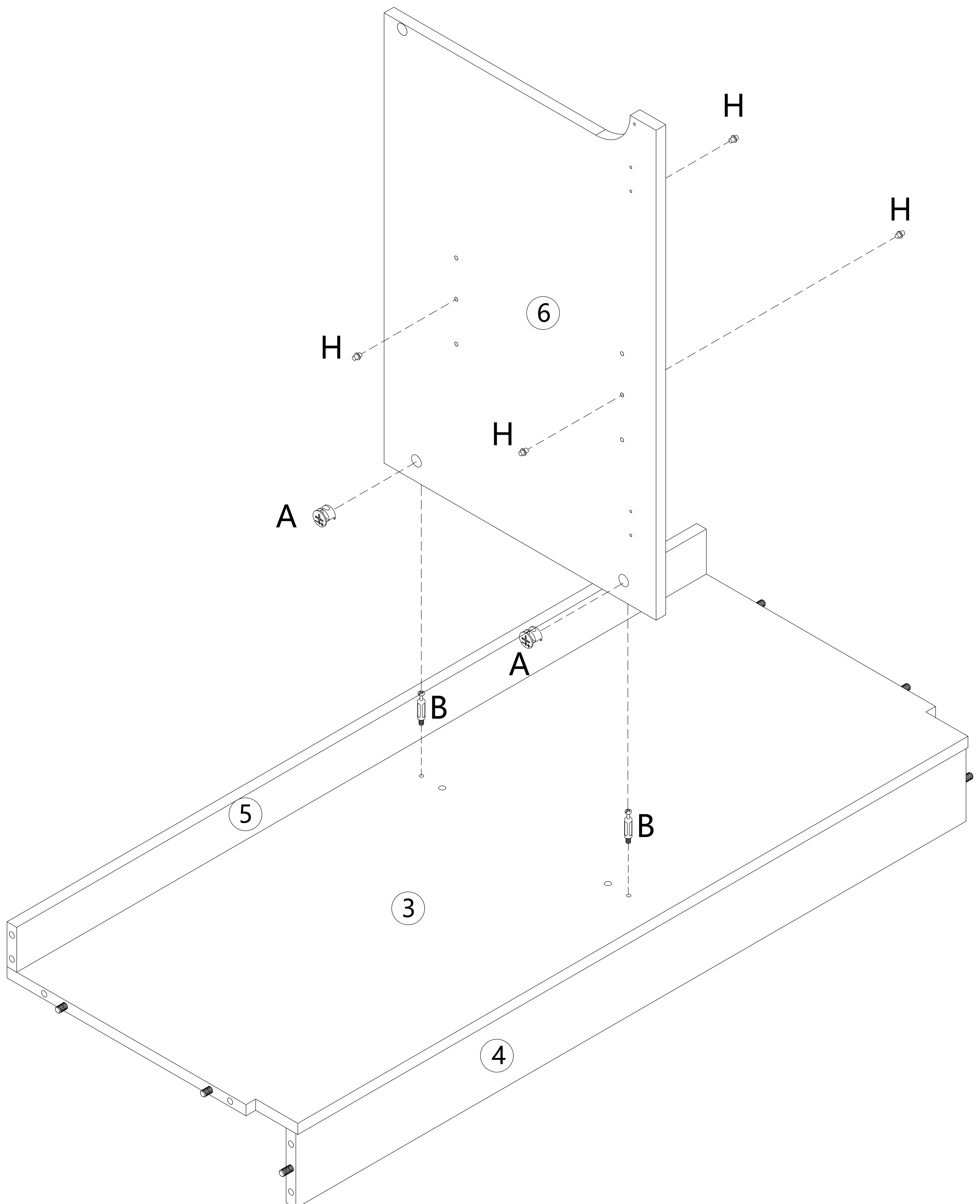
Reference case images



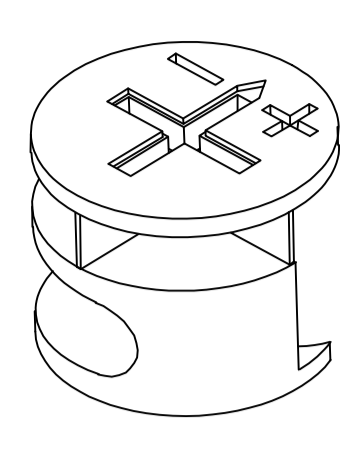
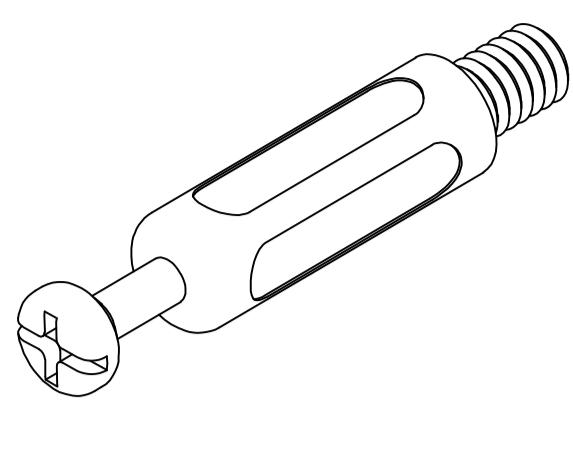
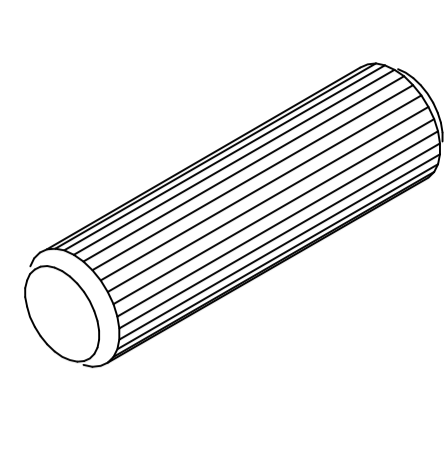
3

<p>A x 2</p>  <p>Ø 15 x 12 mm</p>	<p>B x 2</p>  <p>Ø 6 x 35 mm</p>	<p>H x 4</p> 	
--	---	--	--

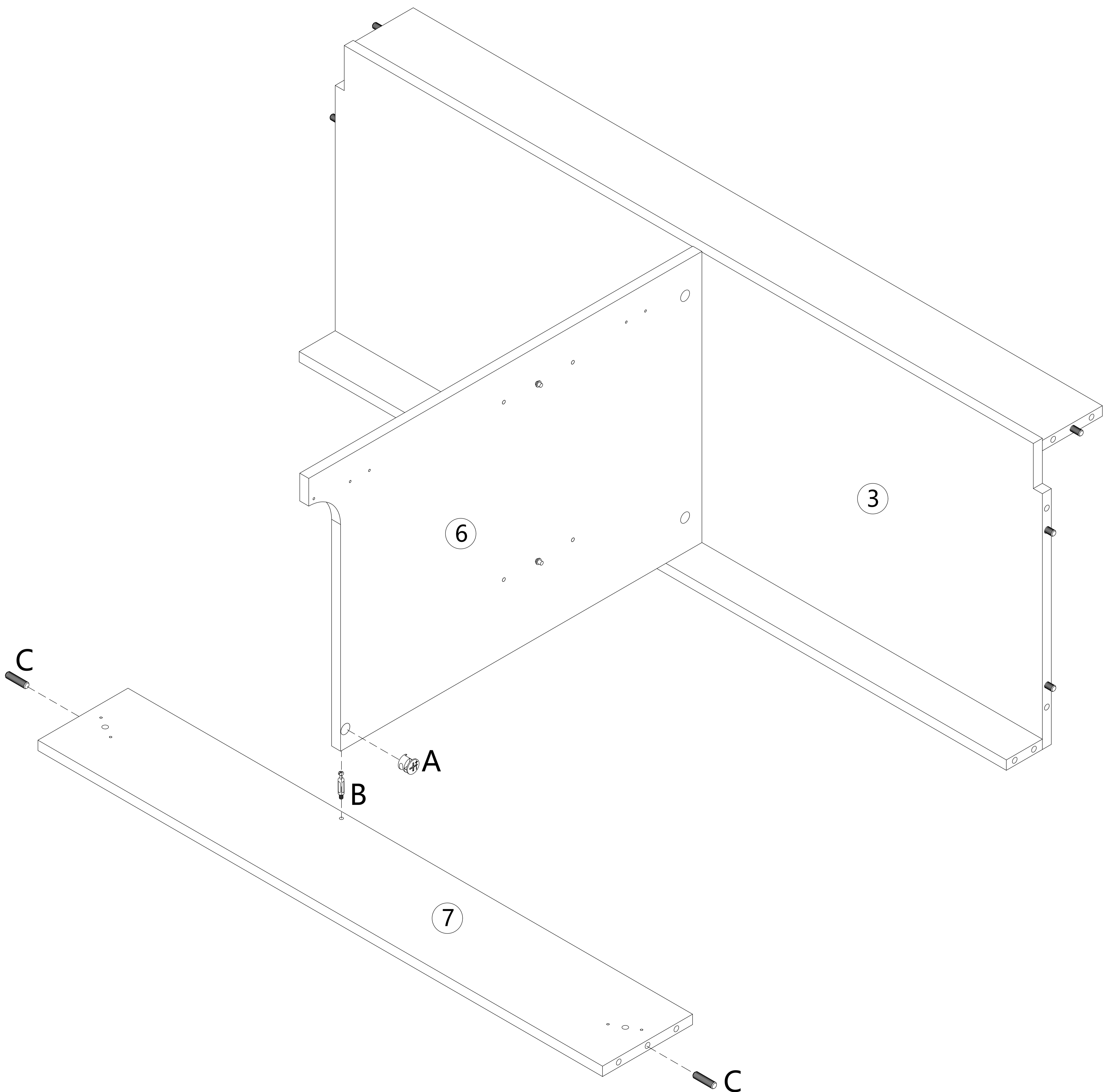
- Refer to the illustration.
Screw the screw (B) into the panel (3), connect the panel (6), and tighten the locking buckle (A). (H) Insert panel (6)



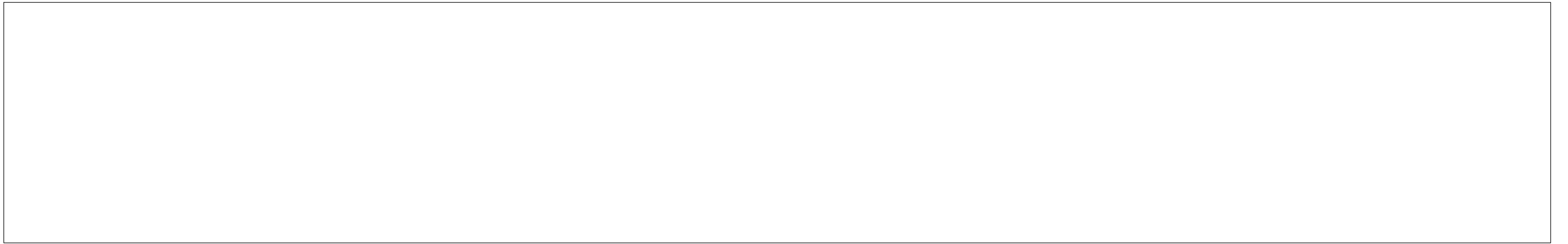
4

<p>A x 1</p>  <p>Ø 15 x 12 mm</p>	<p>B x 1</p>  <p>Ø 6 x 35 mm</p>	<p>C x 2</p>  <p>Ø 8 x 30 mm</p>	
--	---	---	--

- Refer to the illustration.
Insert the wooden pole into panel (7), screw the screw (B) into panel (7), connect panel (6), and tighten the locking buckle (A).

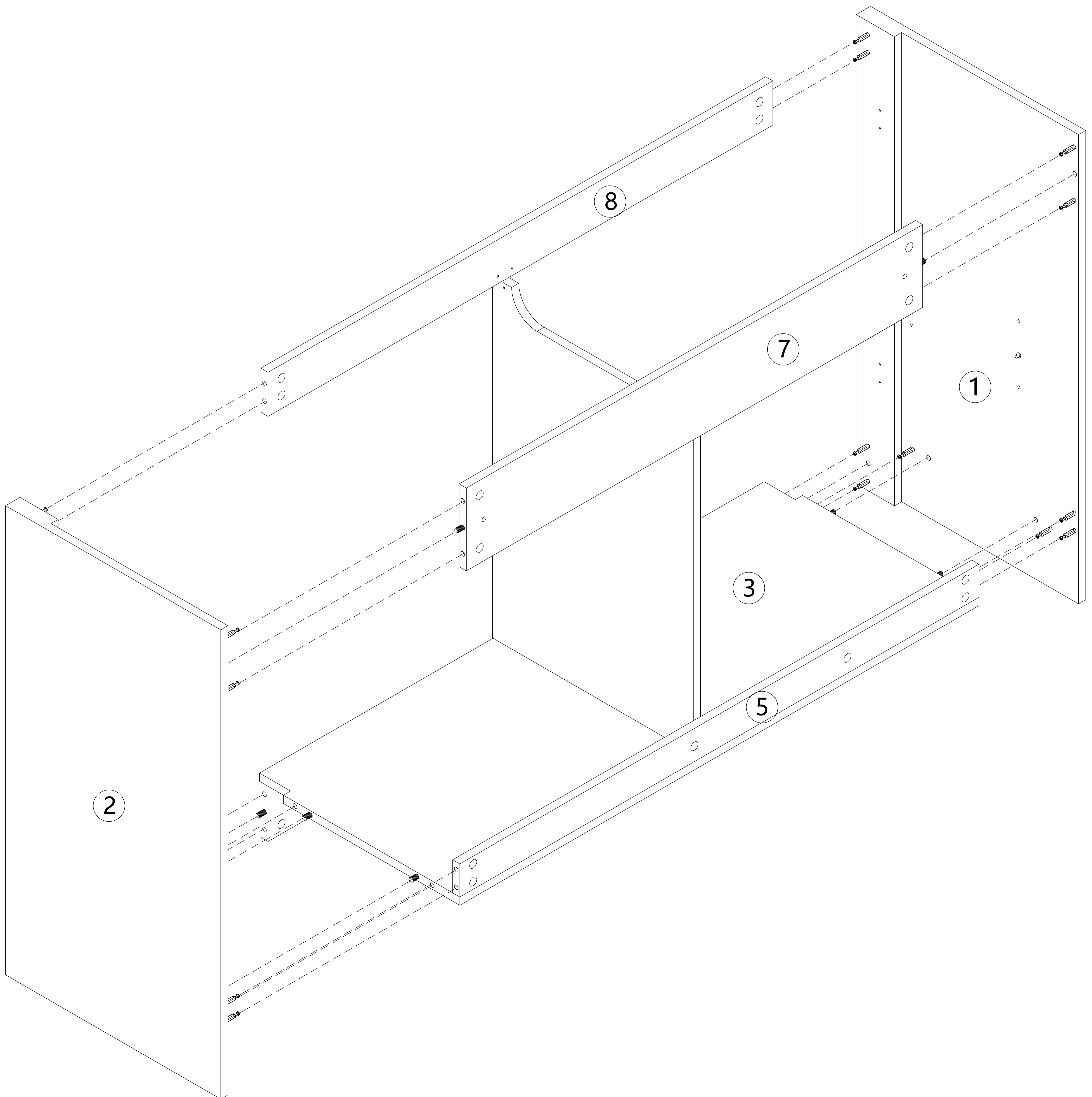


5



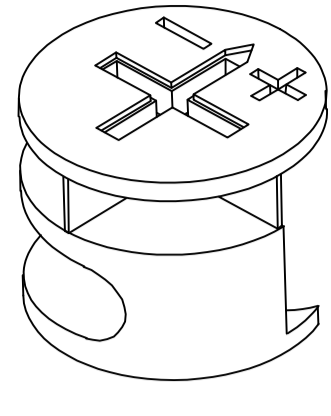
- Refer to the illustration.

Connect panels (1) (2) and panels (3) (5) (7) (8)



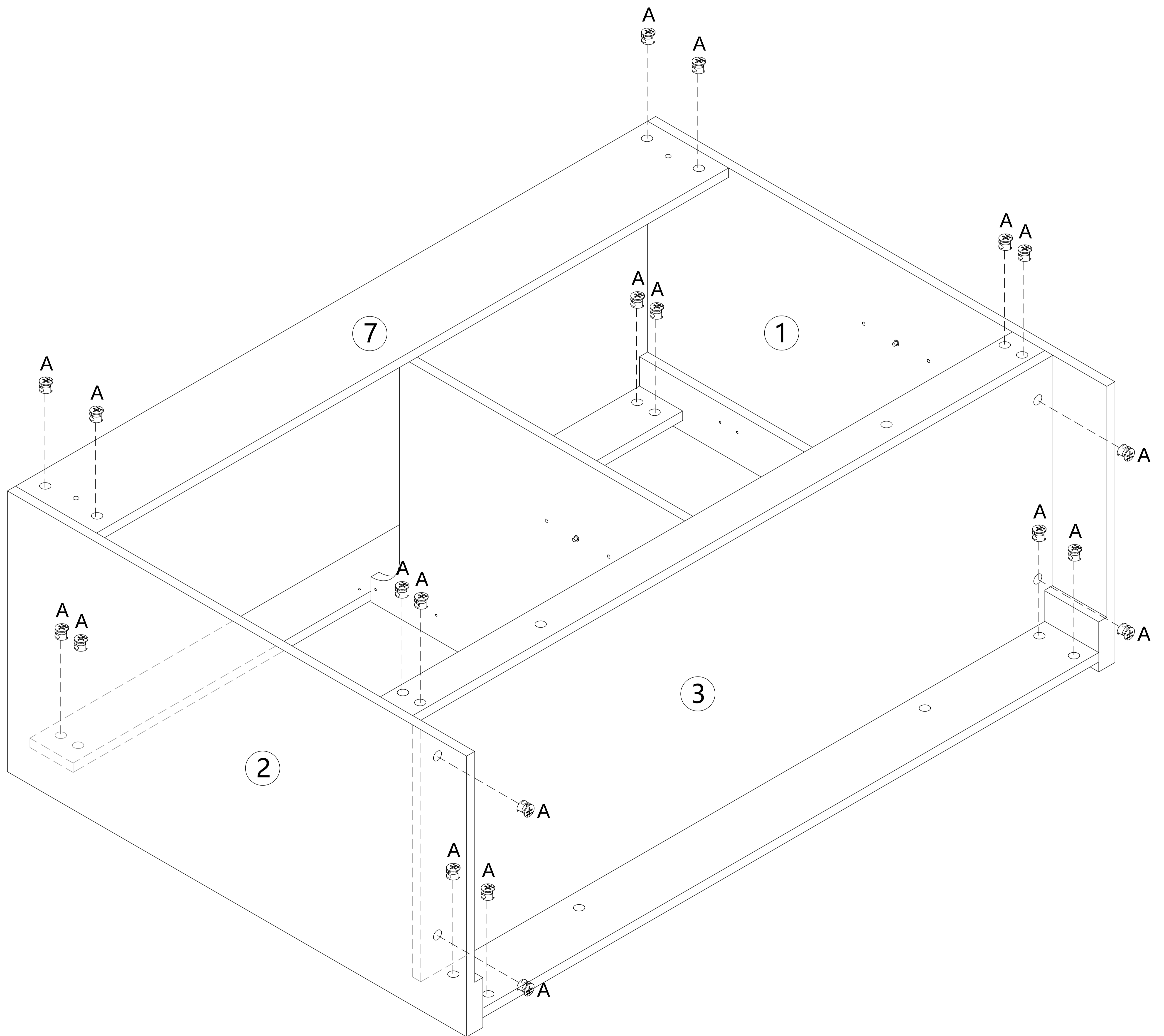
6

A x 20

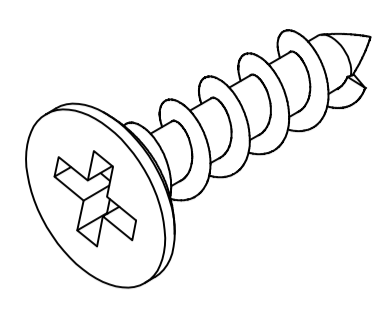
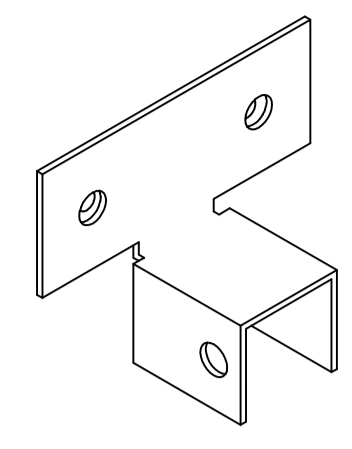


Ø 15 x 12 mm

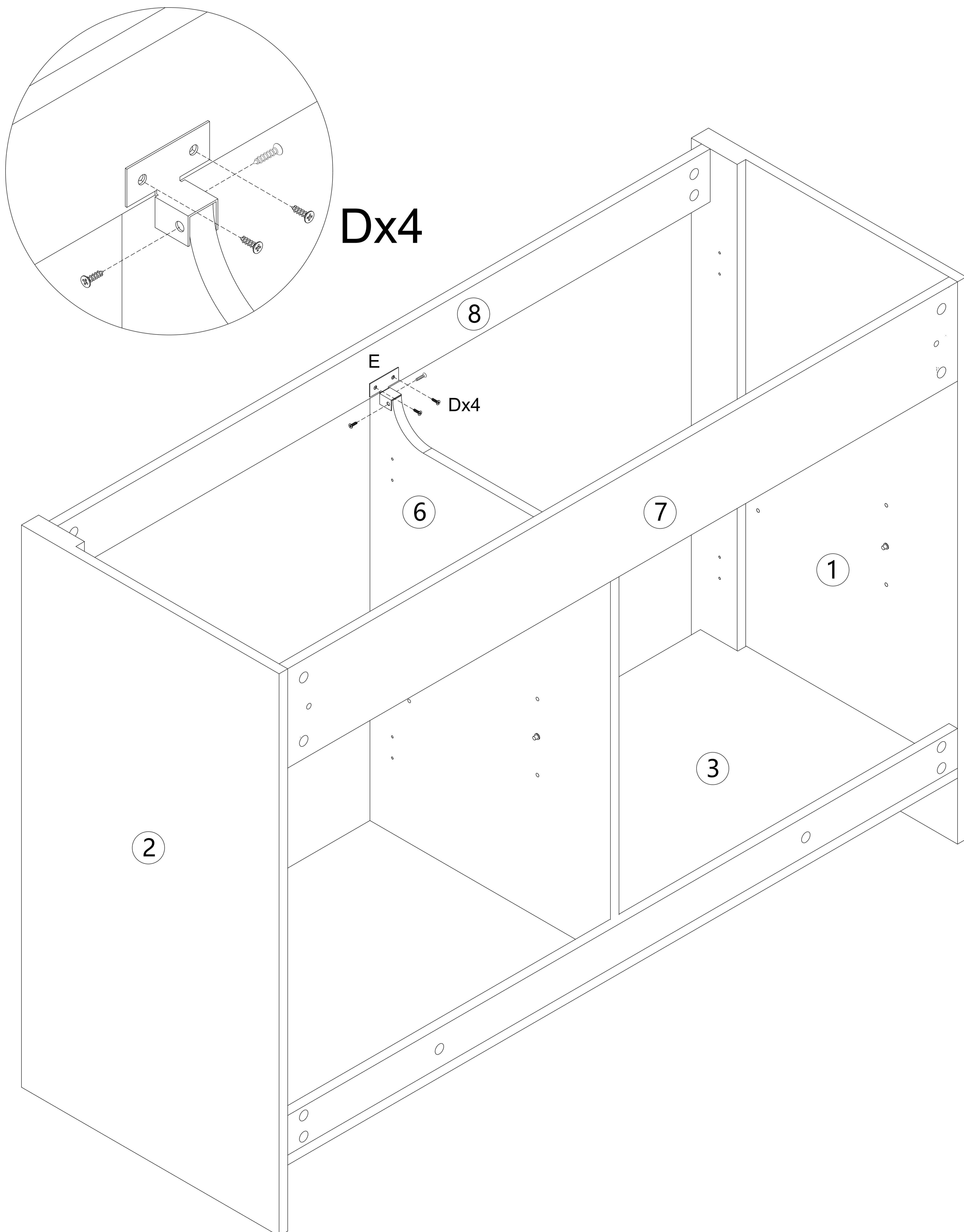
- Refer to the illustration.
Tighten the locking buckle (A)



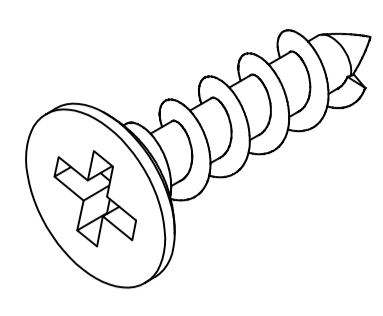
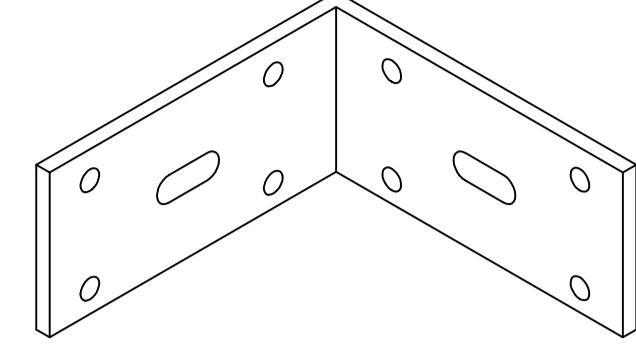
7

<p>D x 4</p>  <p>Ø 4 x 14 mm</p>	<p>E x 1</p> 	
---	--	--

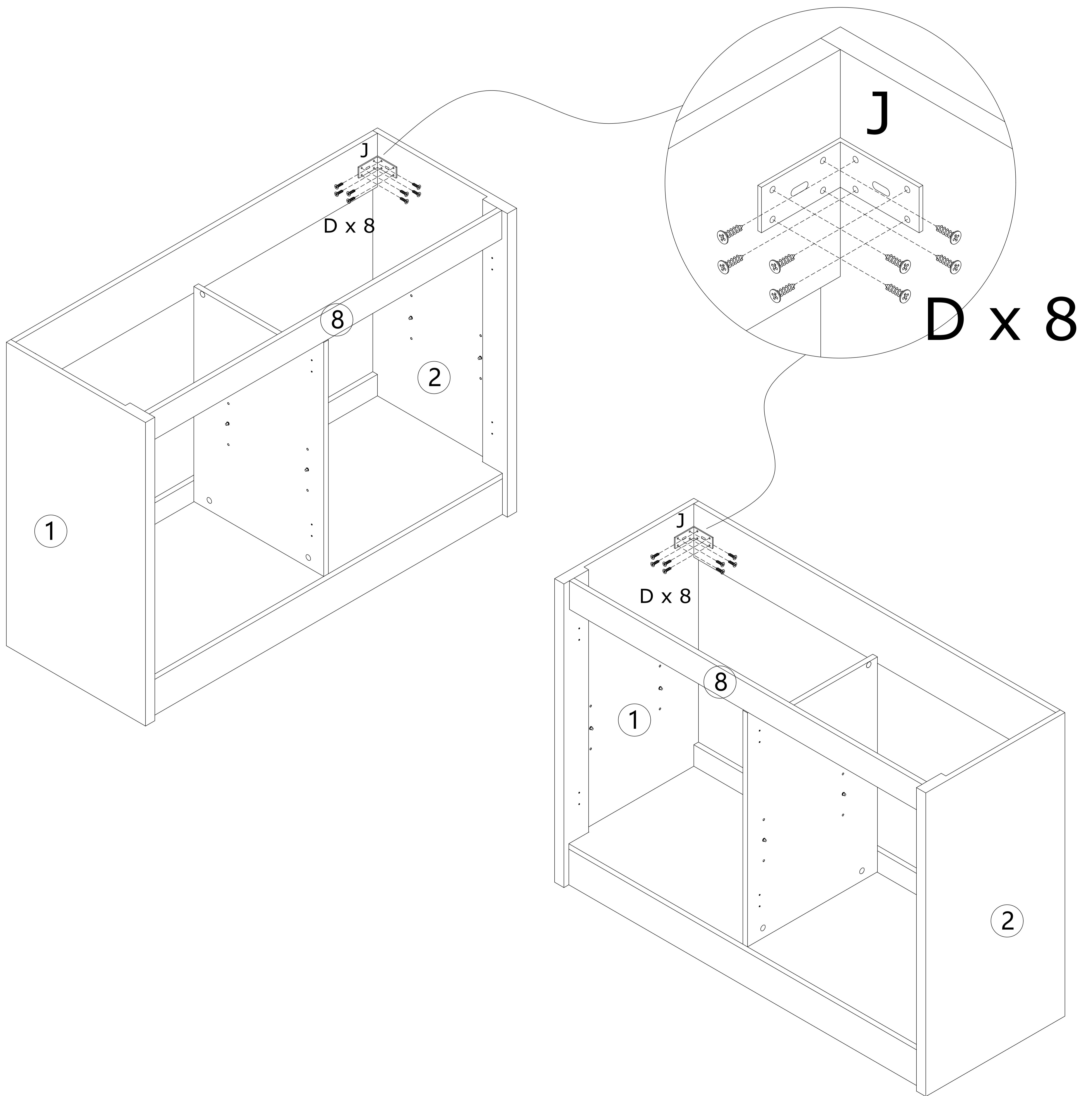
- Refer to the illustration.
Insert (E) into panel (6), connect panel (8), and secure with screw (D)



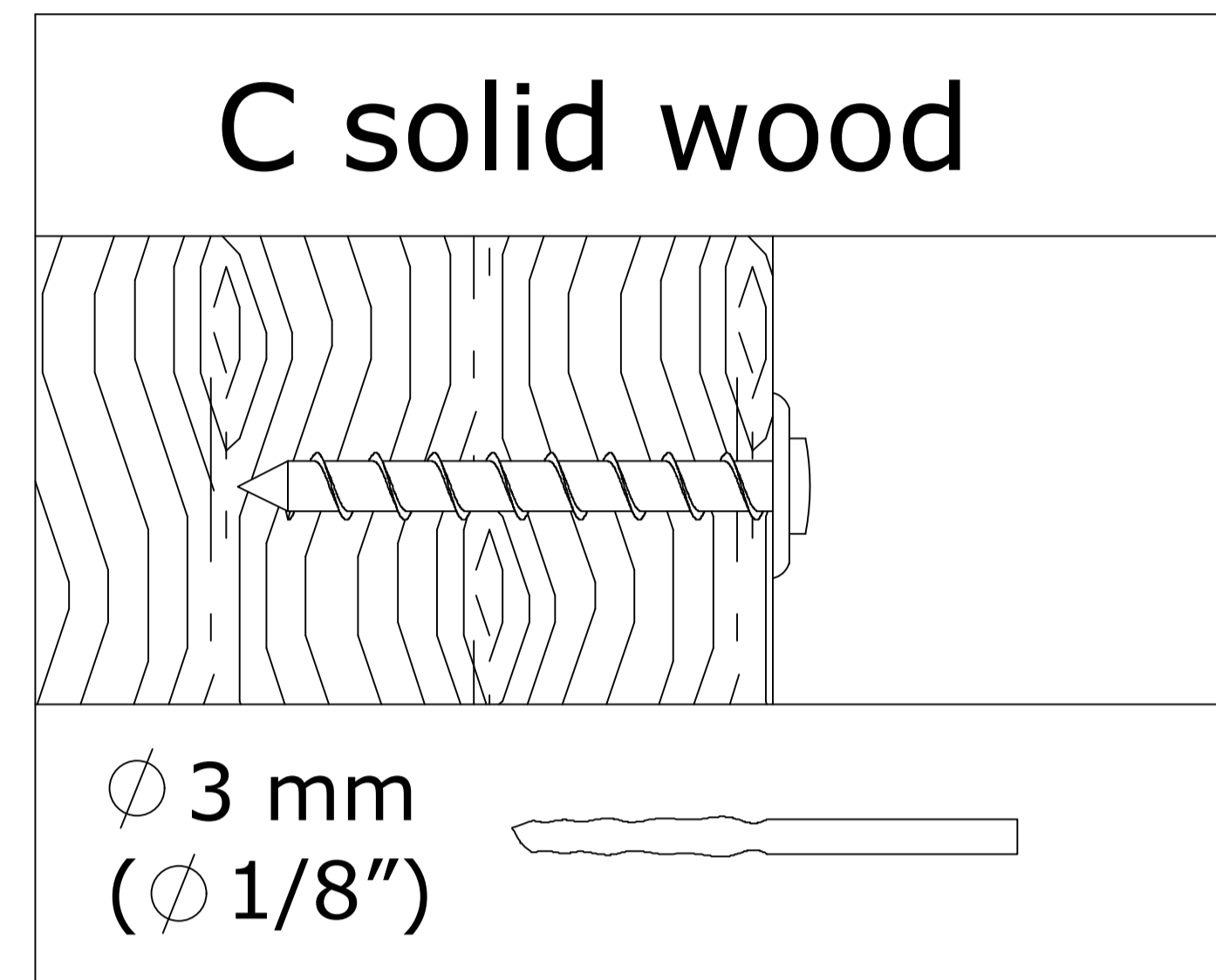
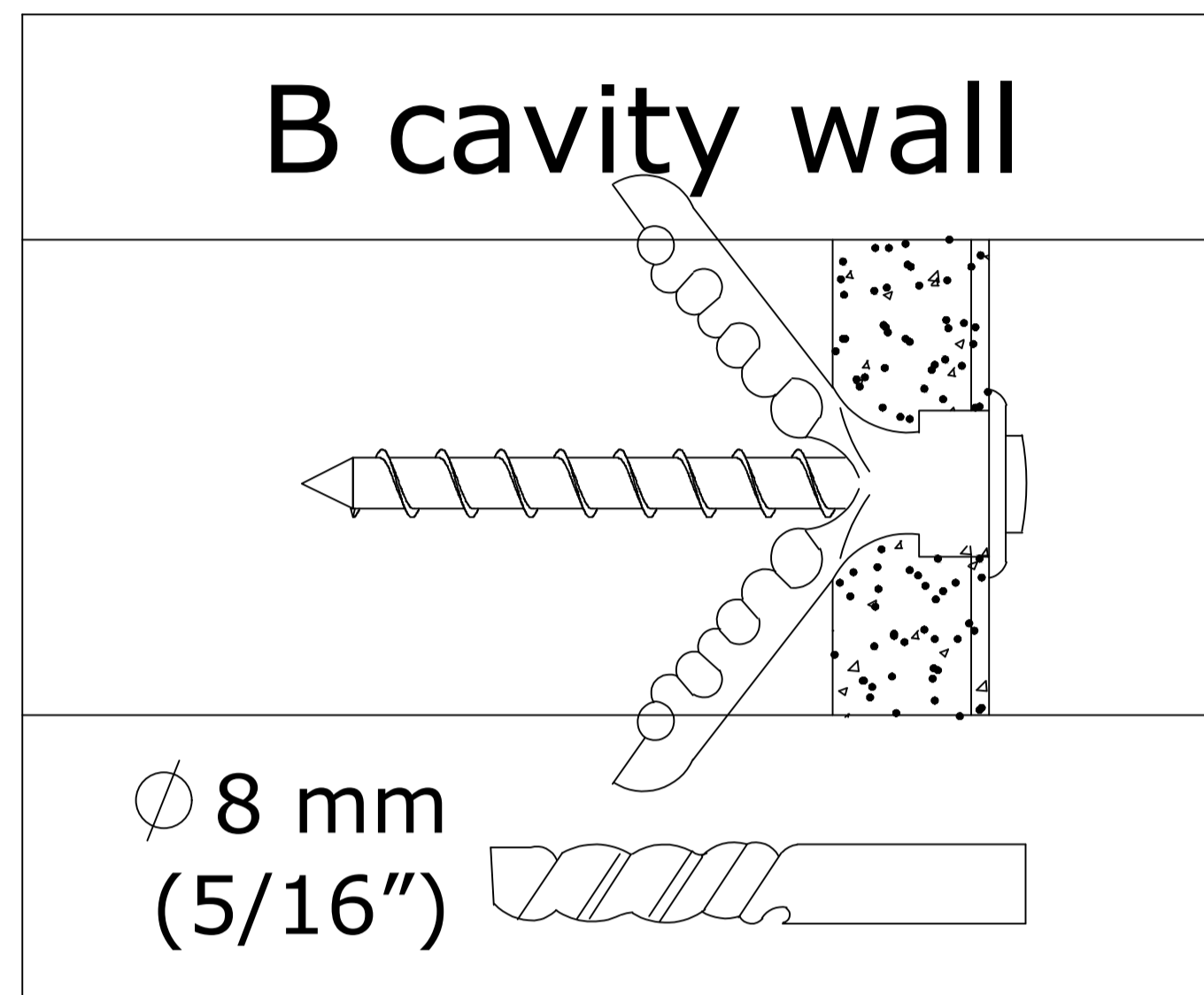
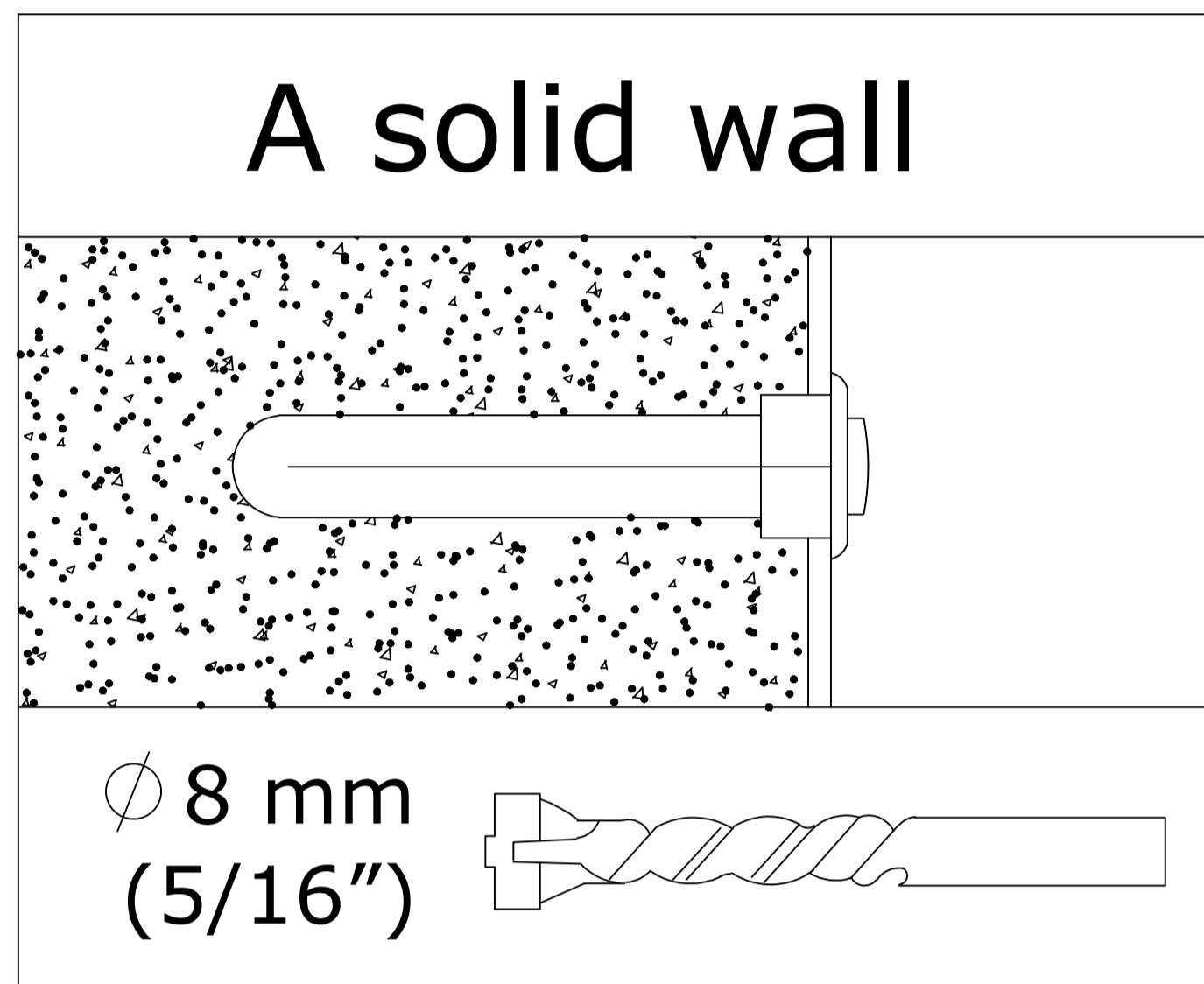
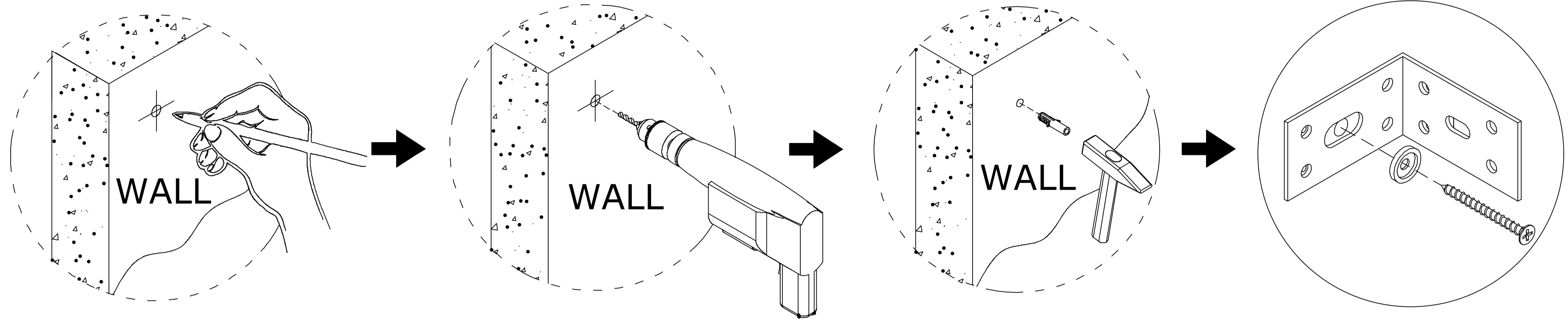
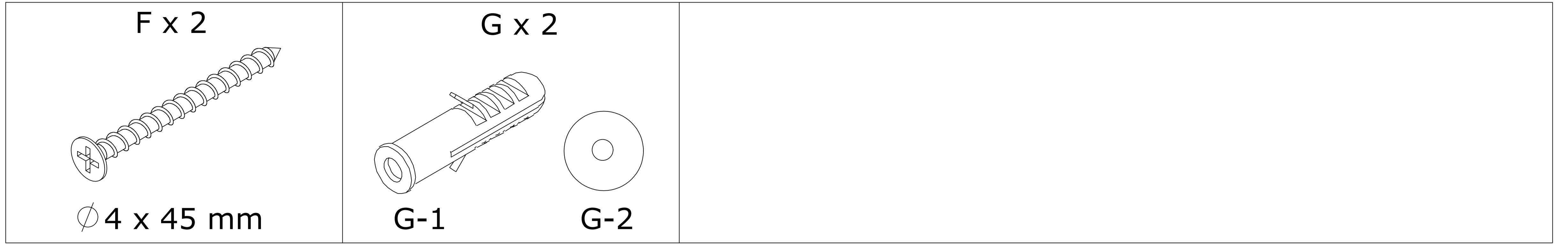
8

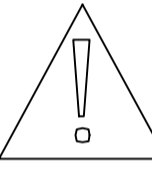
<p>D x 16</p>  <p>Ø 4 x 14 mm</p>	<p>J x 2</p> 	
--	--	--

- Refer to the illustration.
Fix the angle iron (J) with screws (D)

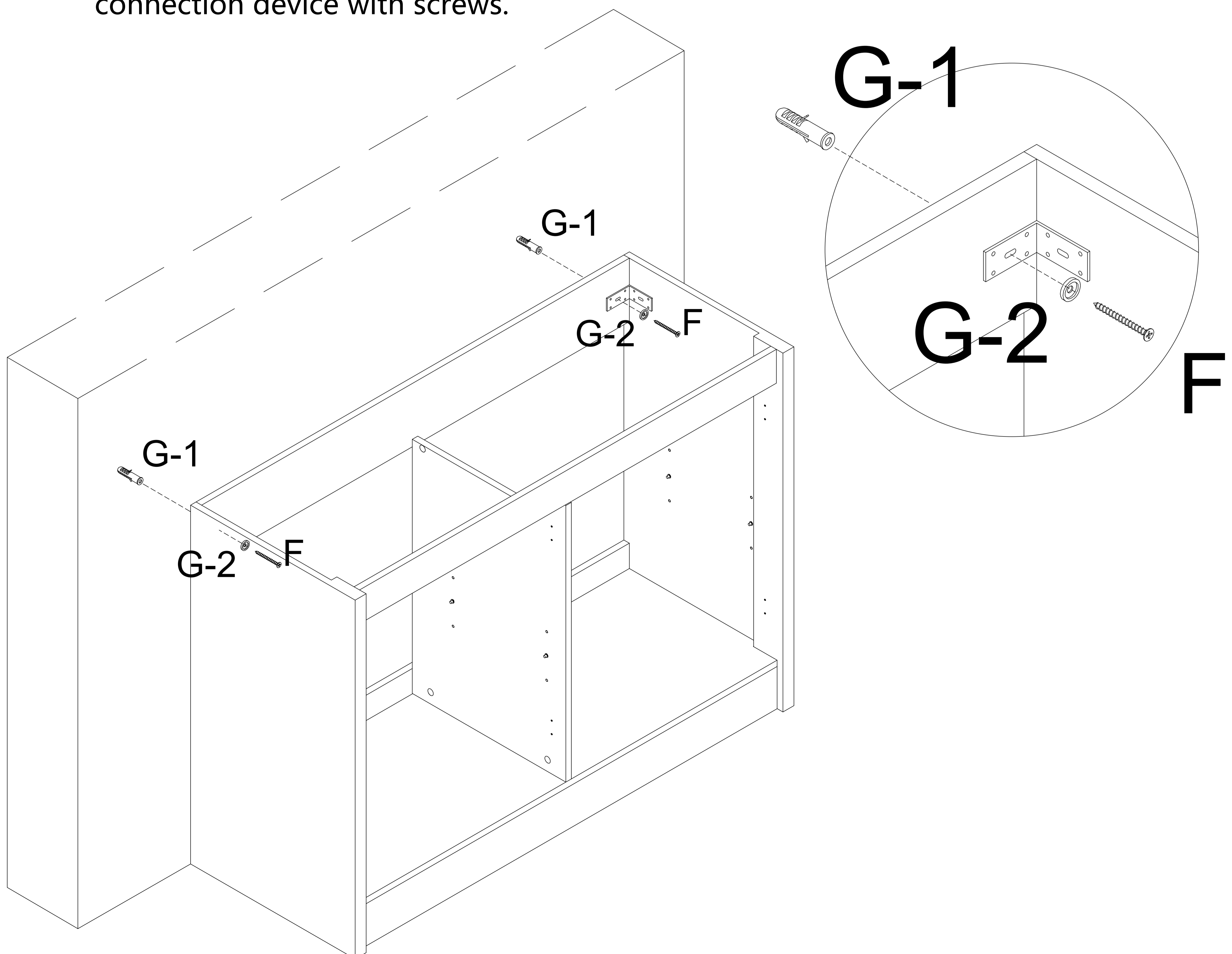


9

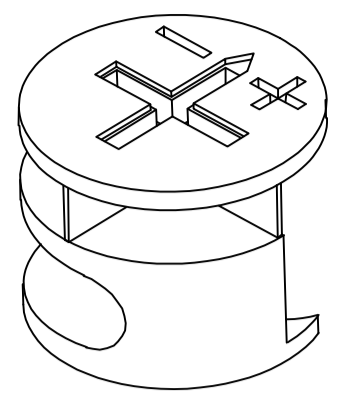
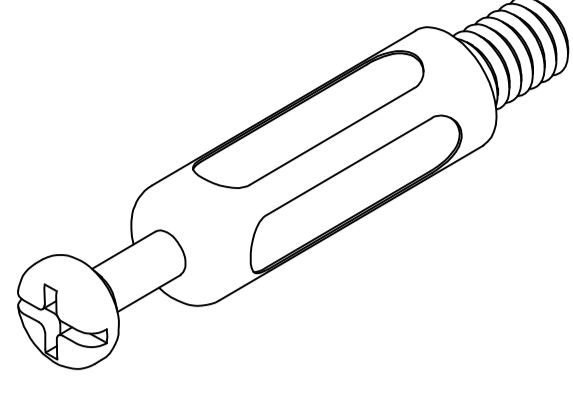


 **Warning:** If you overturn the furniture, it may cause serious or fatal crushing injuries. We have a wall connection device attached, please use it to hold the furniture following these instructions.

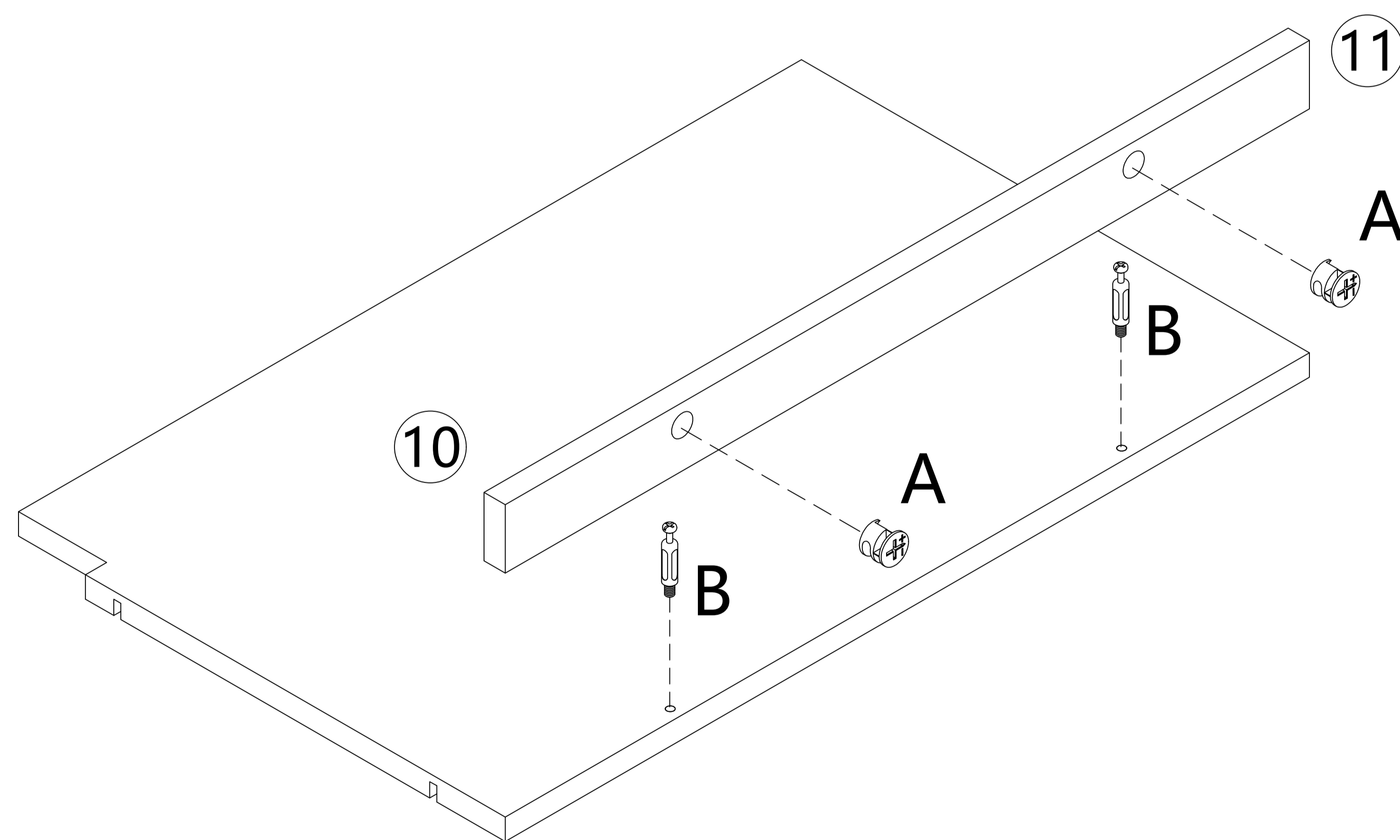
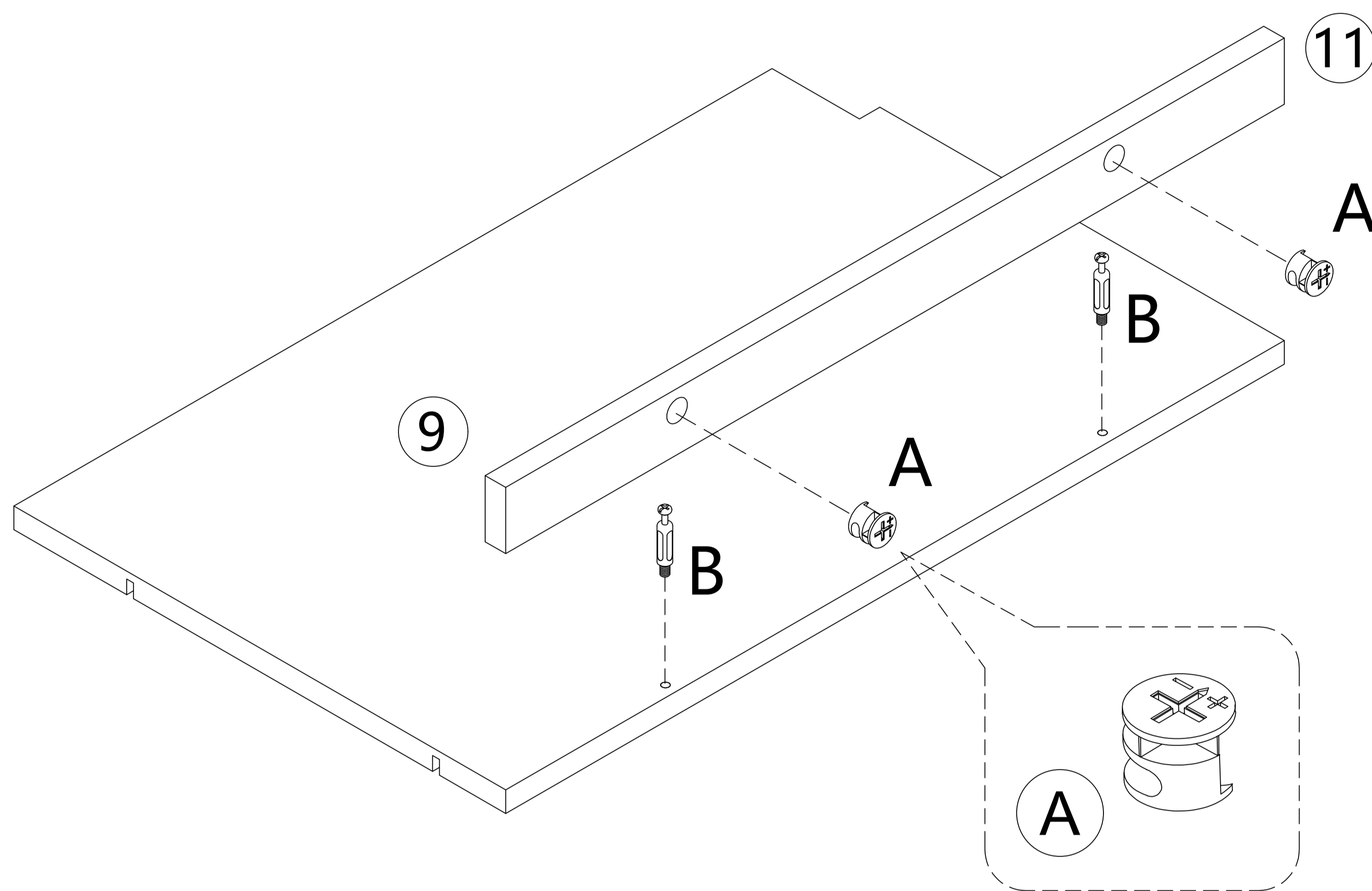
1. Mark the corresponding hole positions where you want to place the furniture;
2. Use a impact drill to drill holes and pay attention to avoid wires and water pipes;
3. Knock the expansion pipes in to the wall holes;
4. Place the furniture in the corresponding position and tighten the wall connection device with screws.



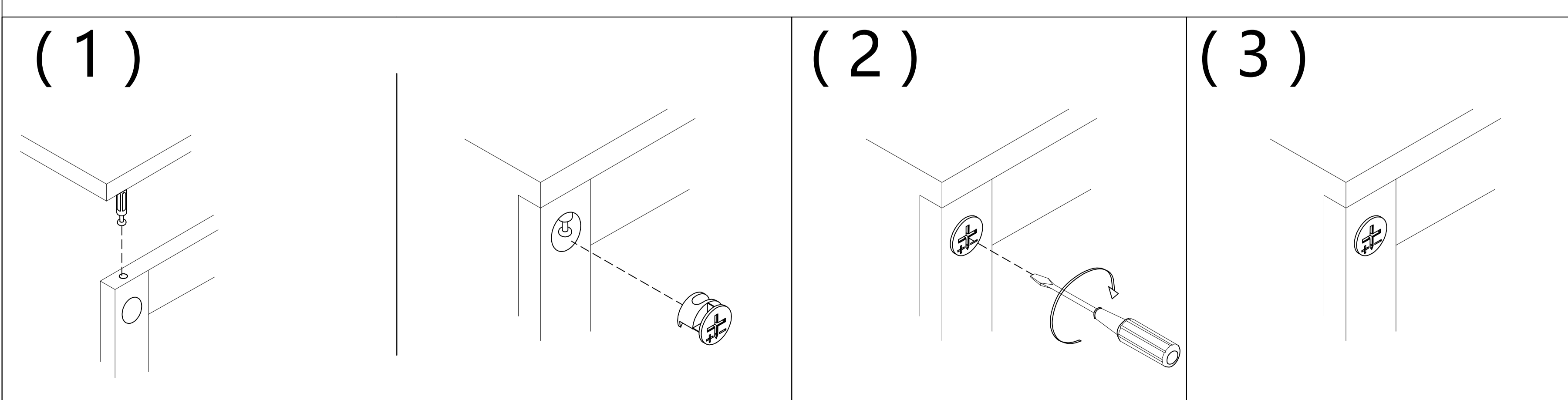
10

<p>A x 4</p>  <p>Ø 15 x 12 mm</p>	<p>B x 4</p>  <p>Ø 6 x 35 mm</p>	
--	---	--

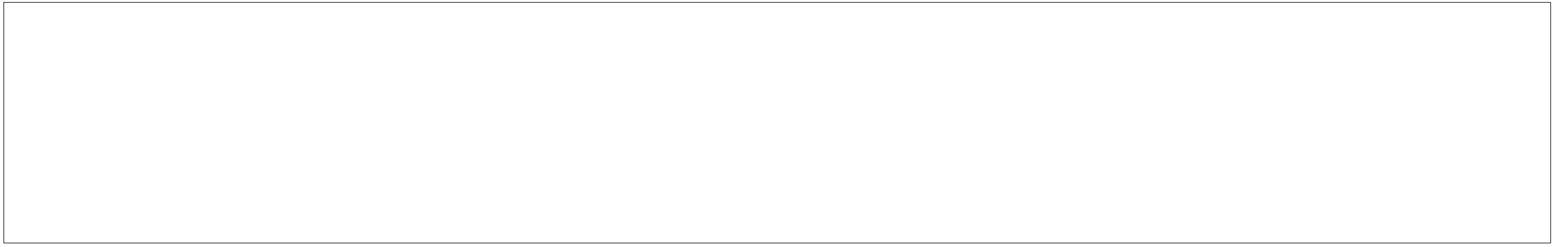
- Refer to the illustration.
Screw the screw (B) into the panel (9)(10), connect the panel (11), and tighten the locking buckle (A)



Reference case images

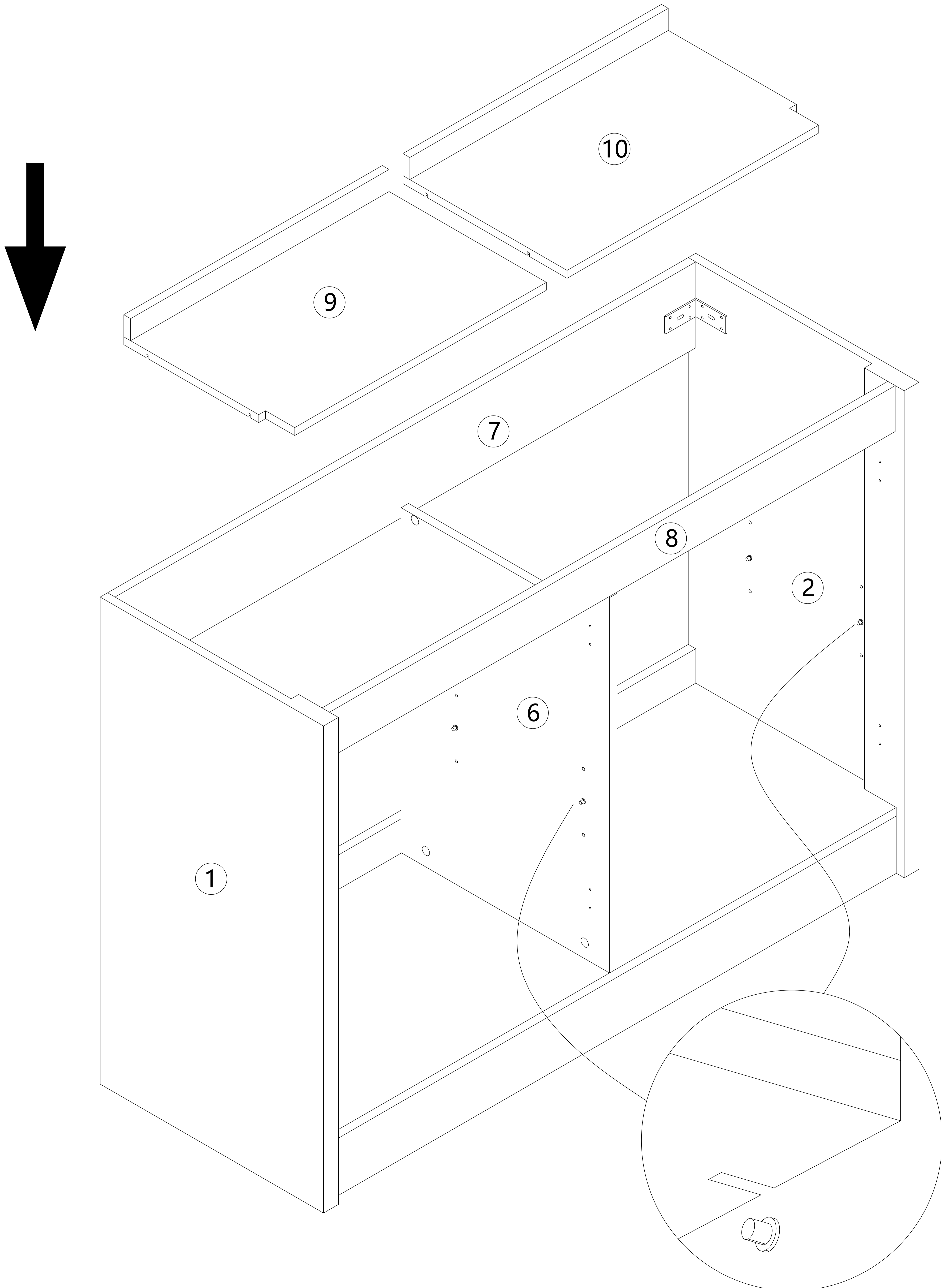


11

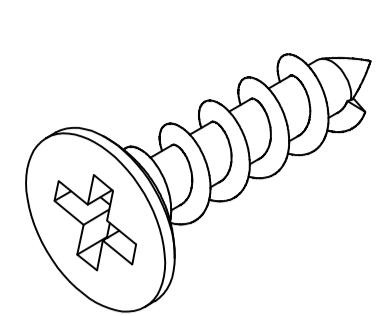
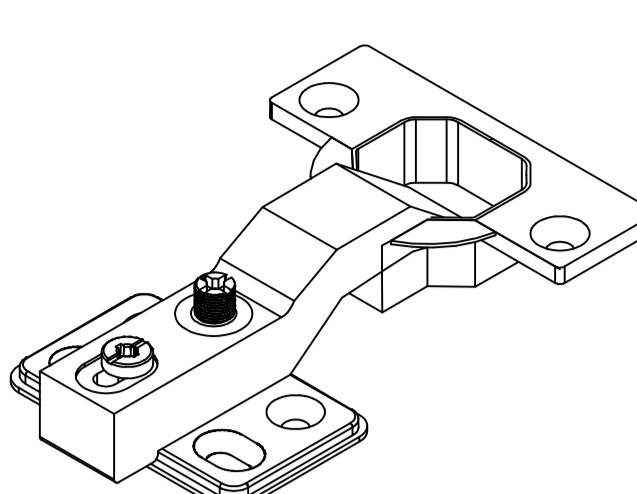
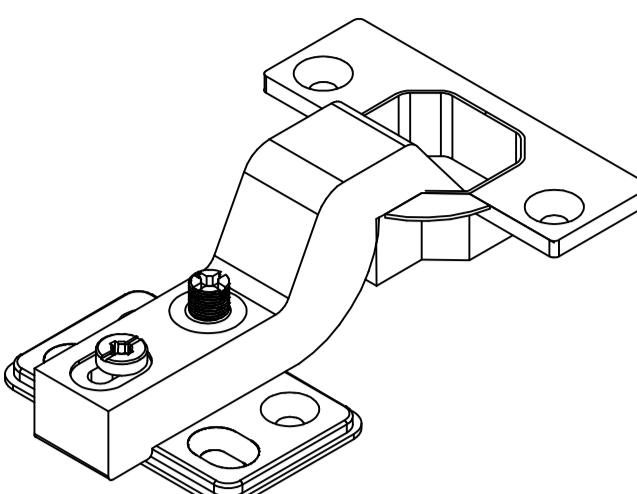


- Refer to the illustration.

Place the panel (9) (10) into the embedded cabinet to adjust its height

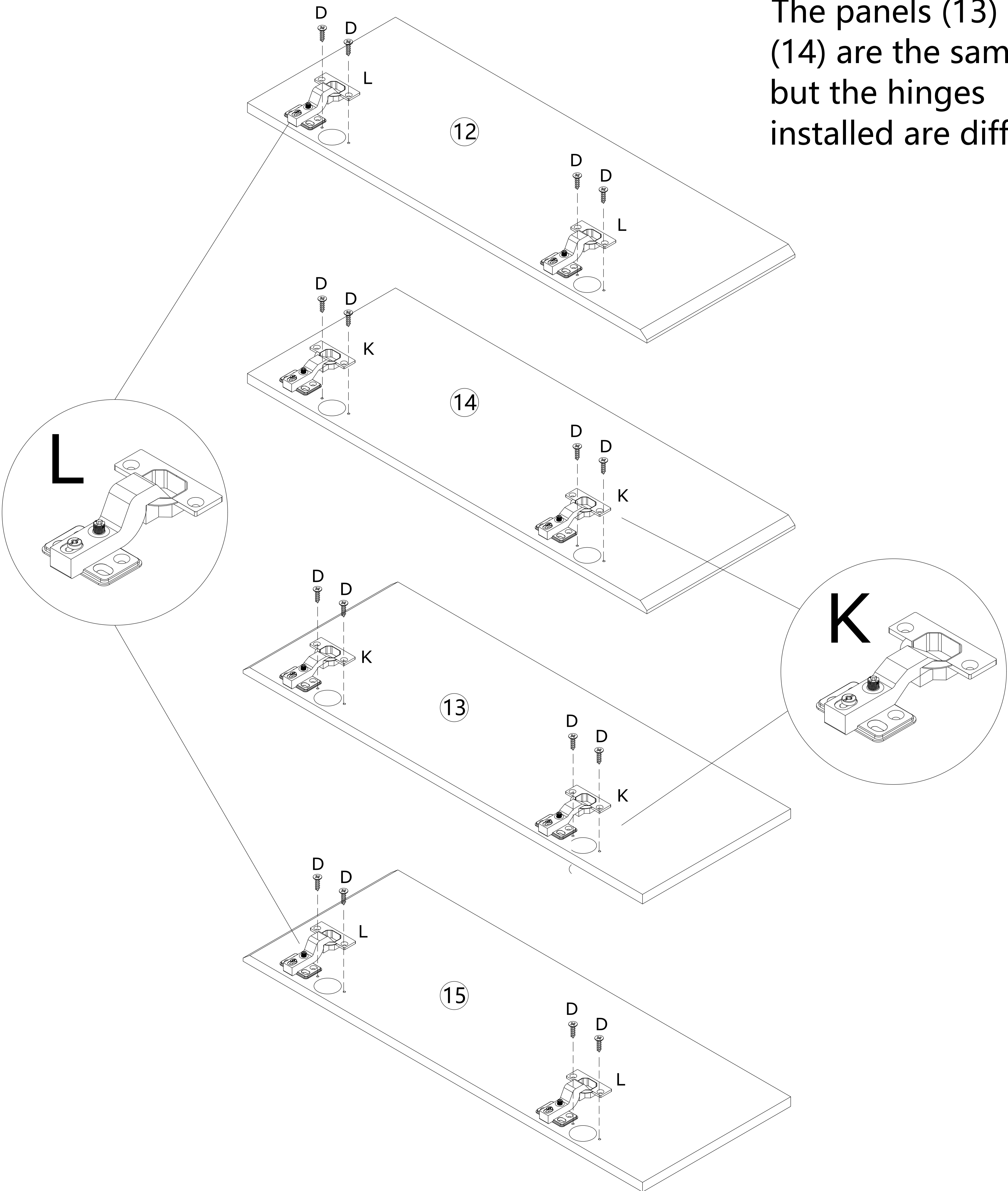


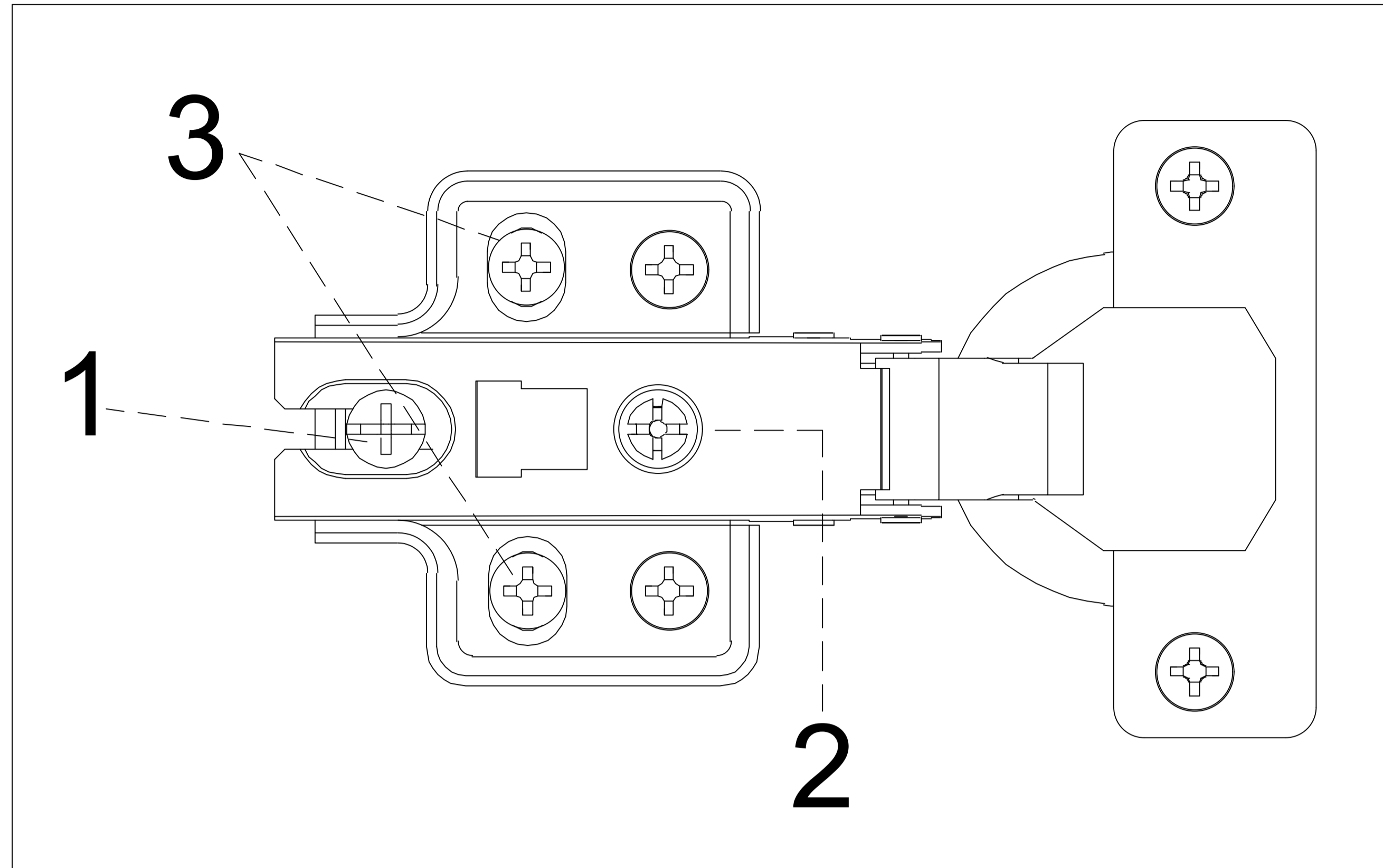
12

<p>D x 16</p>  <p>Ø 4 x 14 mm</p>	<p>K x 4</p> 	<p>L x 4</p> 	
--	--	--	--

- Refer to the illustration.
Fix the hinge (K) (L) to the panel (12) (13) (14) (15) with screws (D)

The panels (13) and (14) are the same, but the hinges installed are different



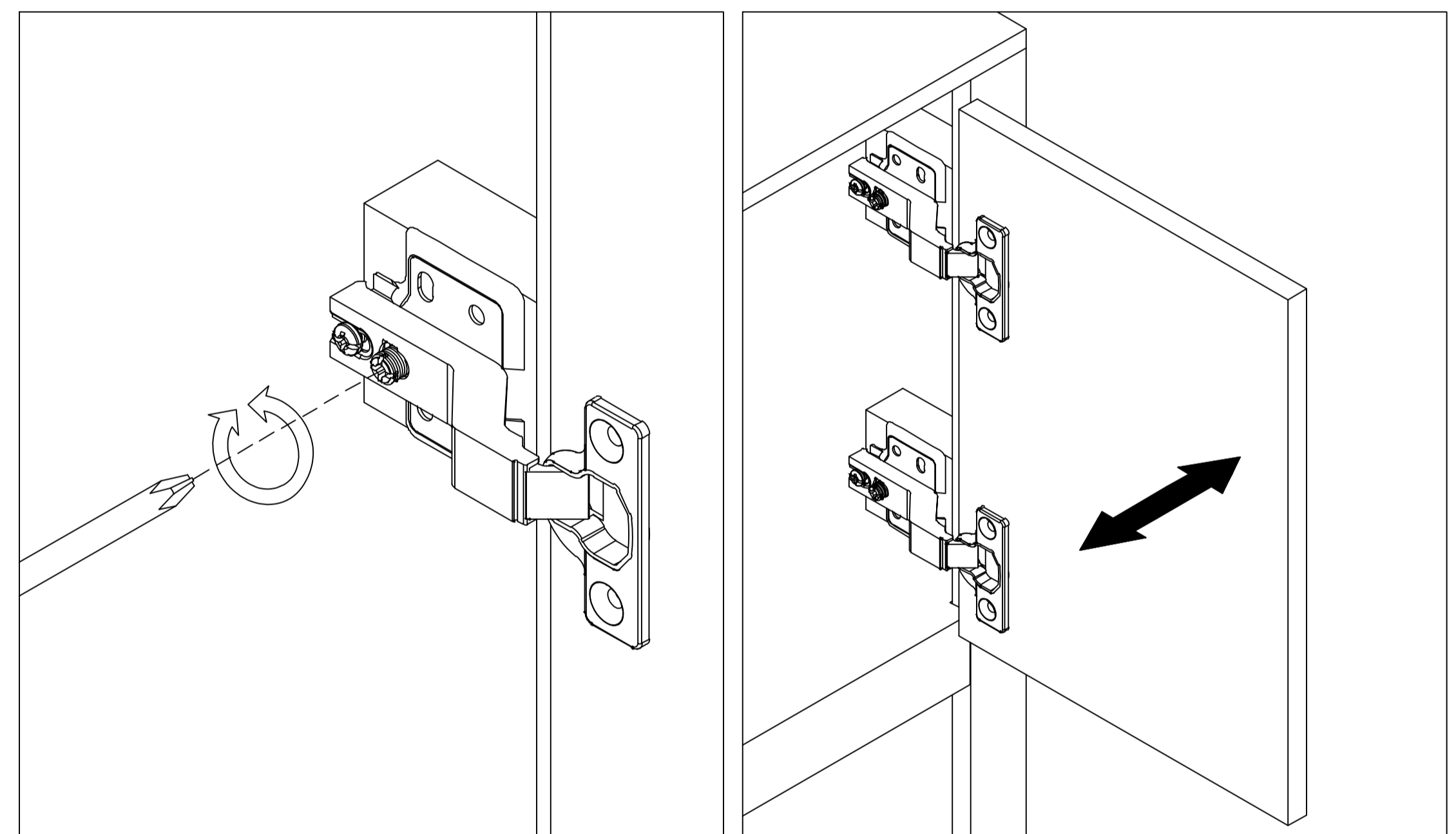


Hinge Adjustment Guide

Three-way adjustable hinge for perfectly aligned doors

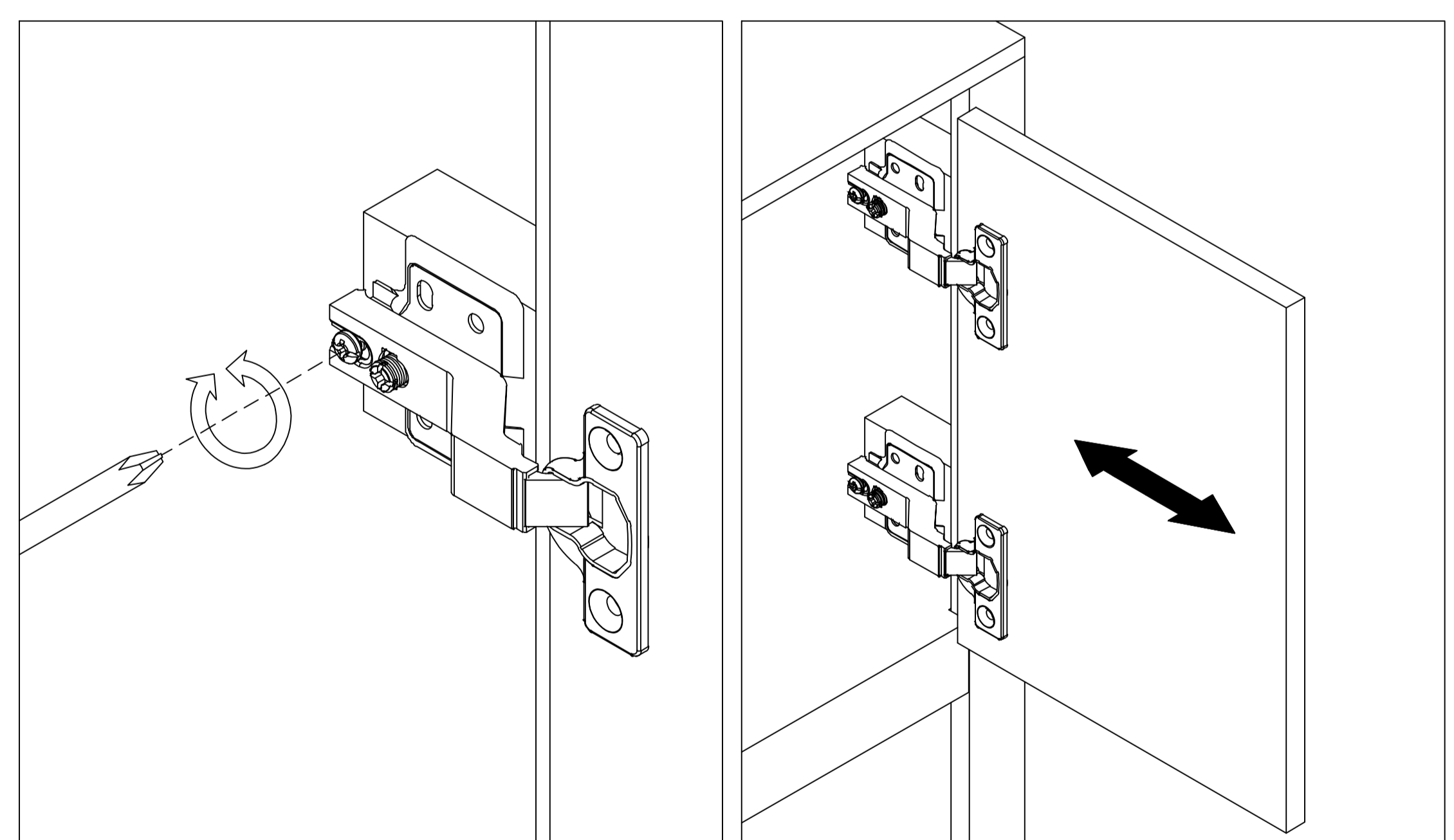
Sideways/Gap Adjustment

Turning the screw "2" on the hinges of each door allows you to adjust the door to the left or right by a few millimeters.



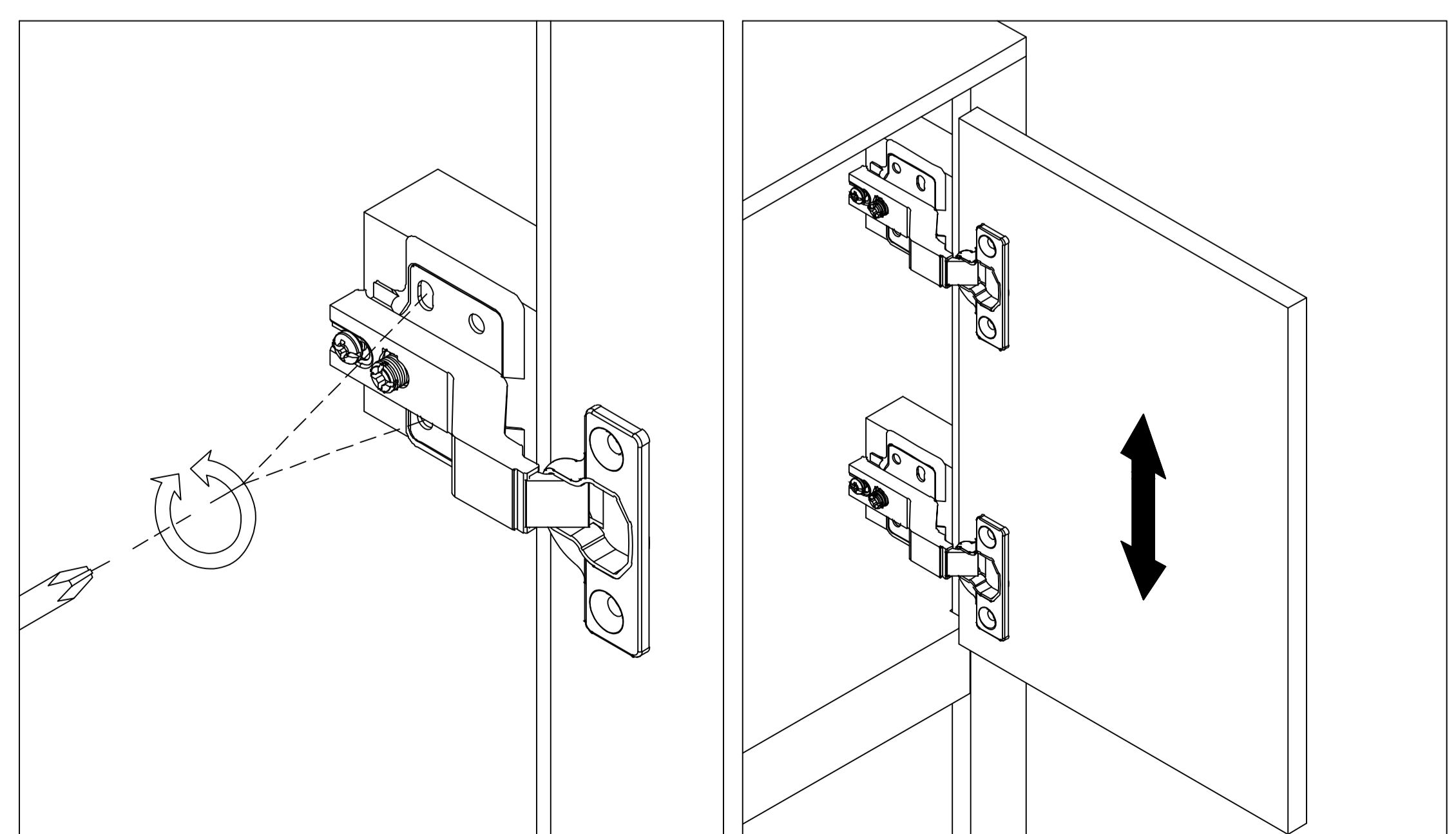
Forward/Backward Alignment

Loosen screw "1" to adjust the door forward or backward. After adjustment, Tighten screw "1".



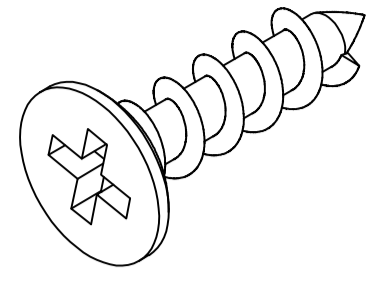
Vertical Height Adjustment

Loosen screw "3" to adjust the door up or down. After adjustment, hold the door panel and tighten screw "3".



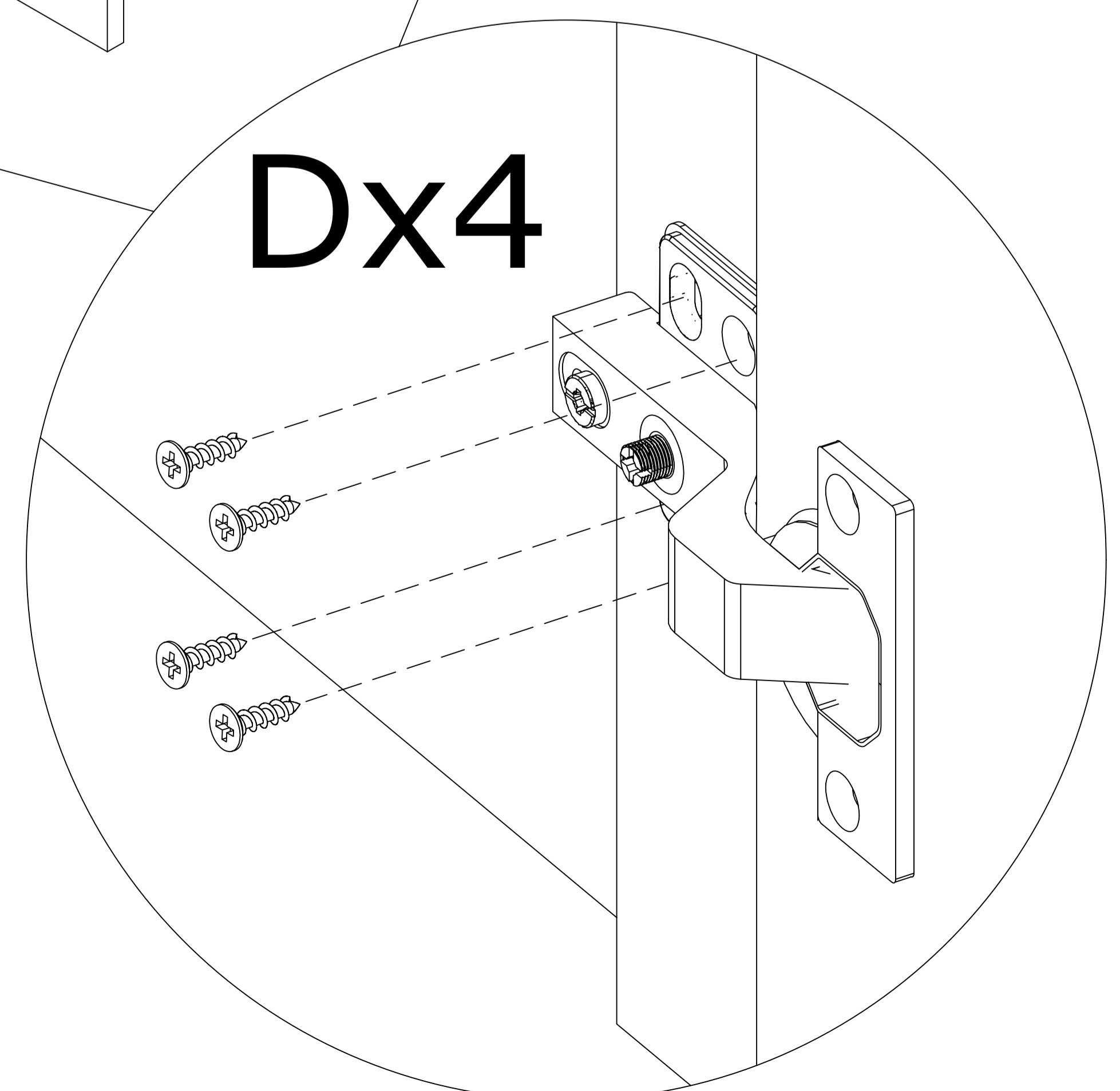
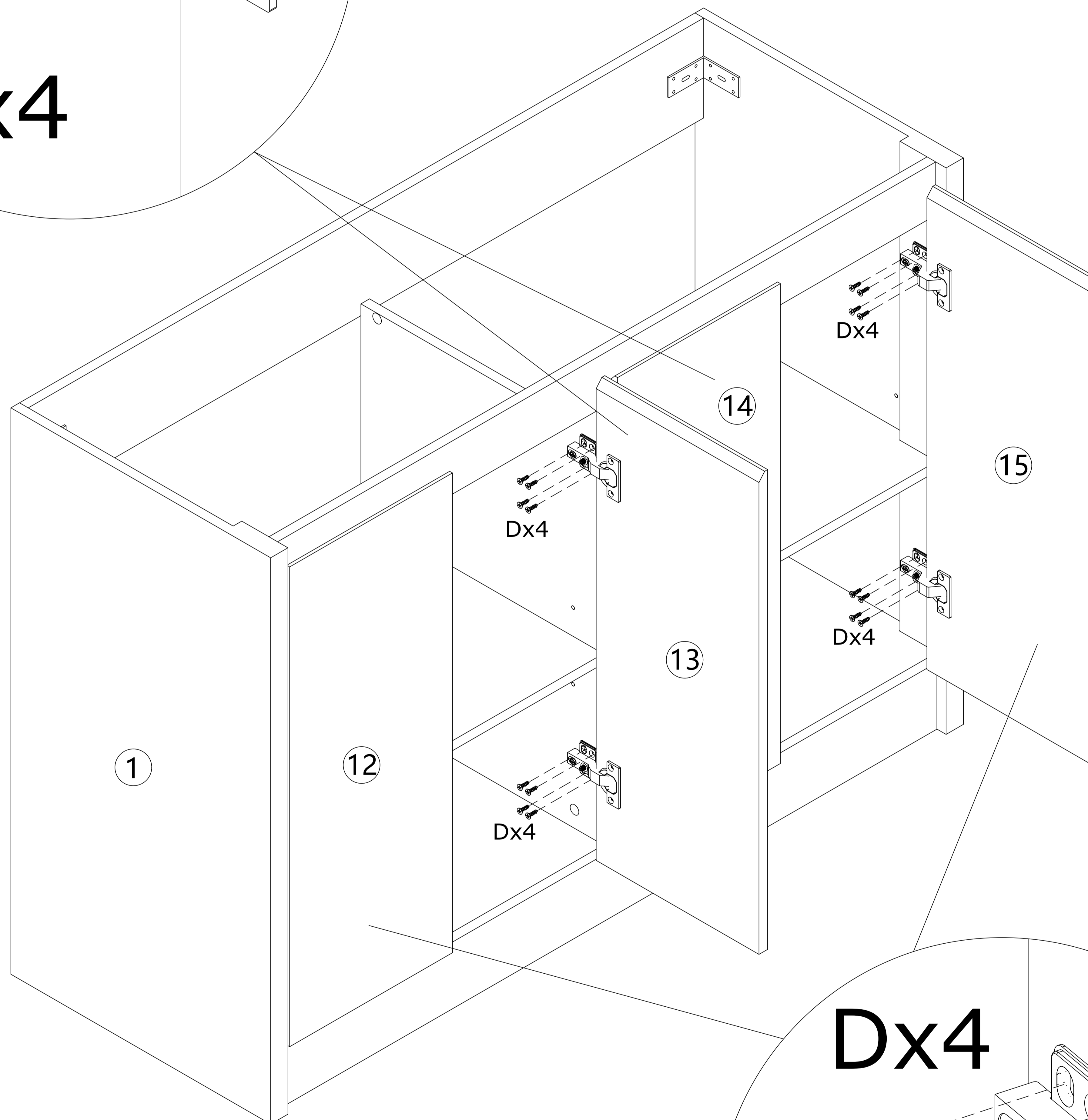
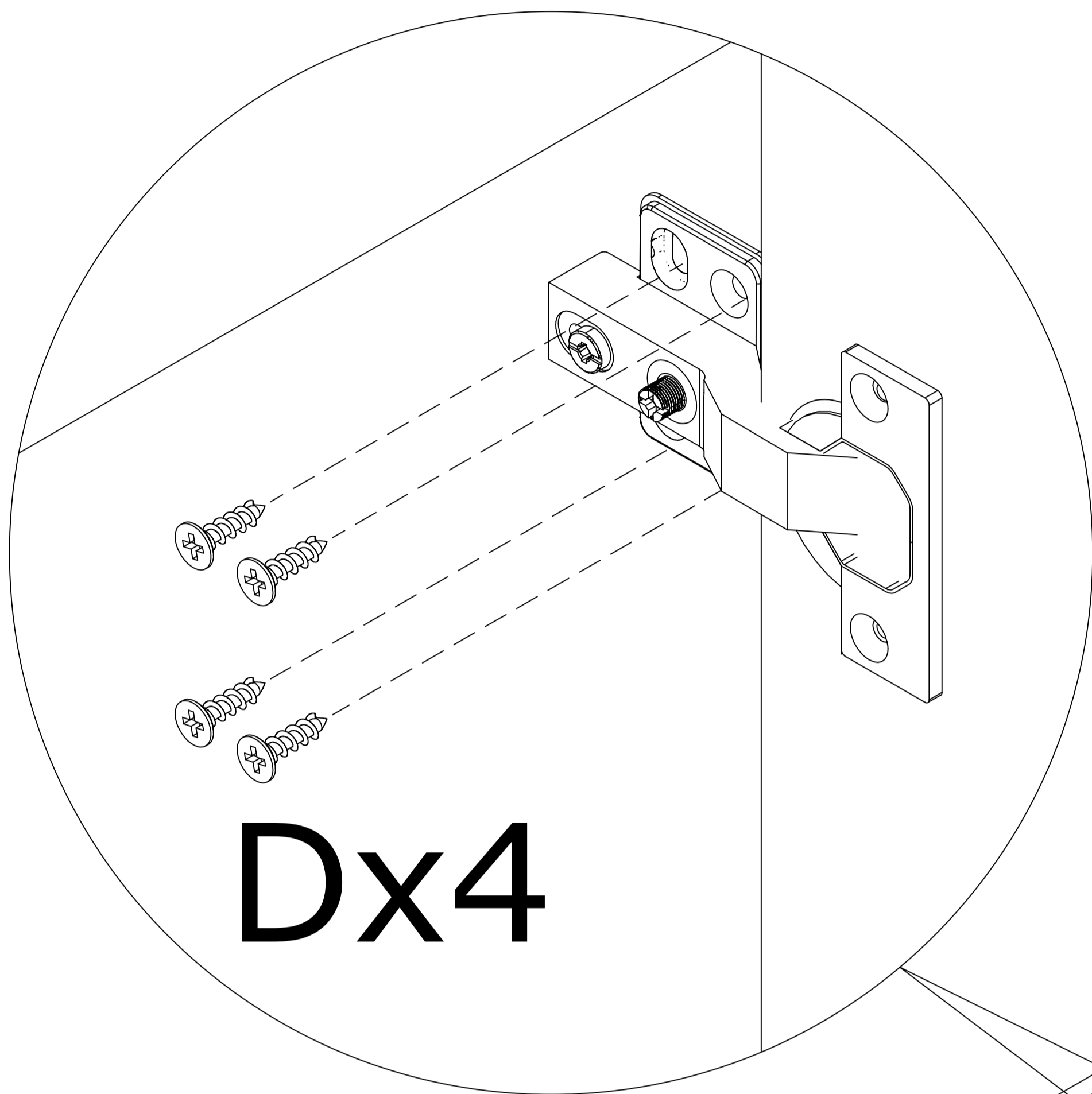
14

D x 32



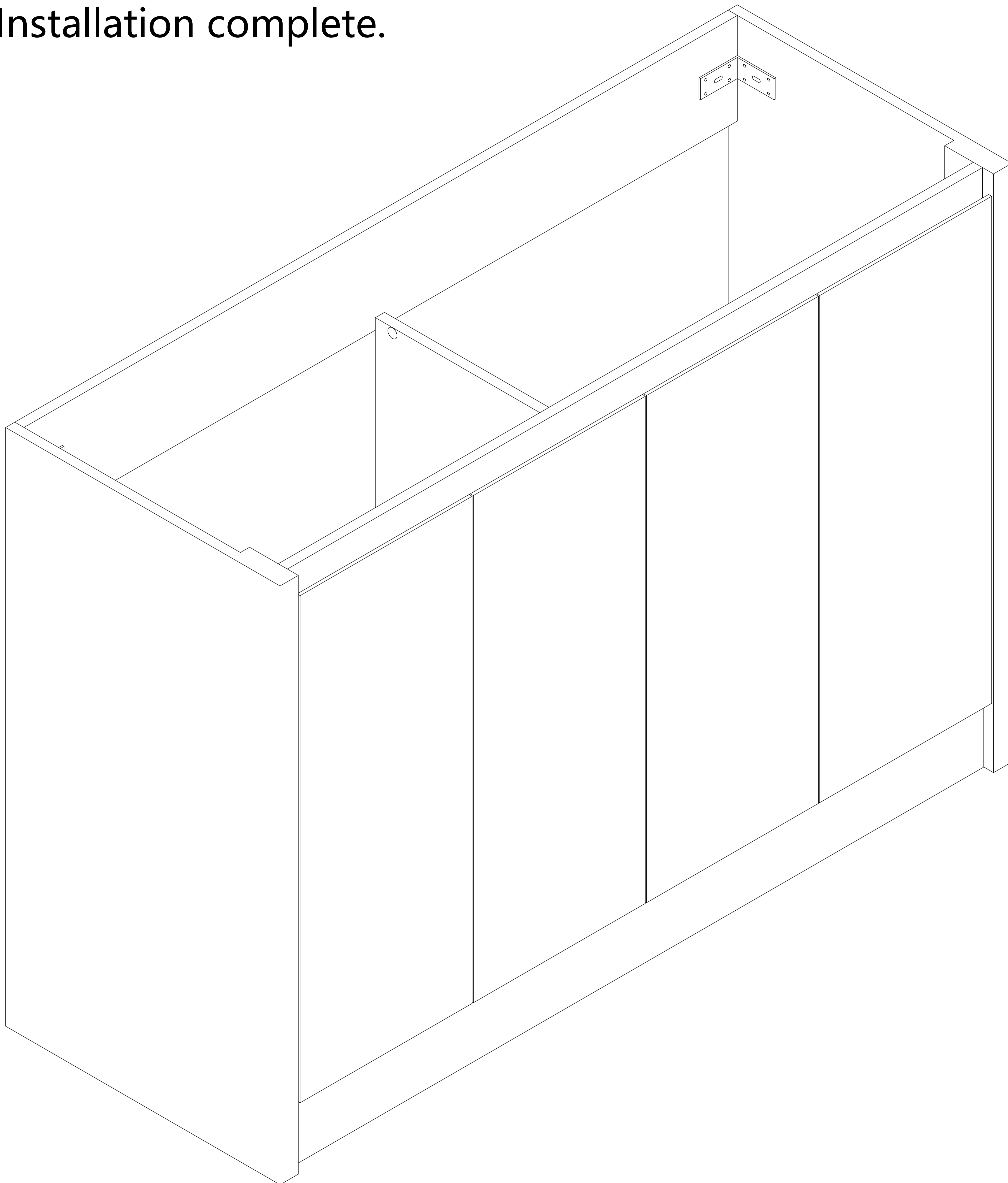
Ø 4 x 14 mm

- Refer to the illustration.
Fix the panel (12) (13)(14) (15) to the installed cabinet with screws (D)



15

-Installation complete.



- To help prevent mildew, apply sealant to the space between the wall and the edge of the cabinet.

CARE AND CLEANING

1. Many cleansers contain abrasive and chemical substance which is not suitable for cleaning stainless steel, enamel, plating or plastic products. You may use mild cleansers or soaps to clean the surfaces. Wipe any splashes of cleaner solutions from the surface with a clean soft cloth.
2. Maintain ventilation in the bathroom and separate the dry area from the damp one if conditions permit. Try to open the door and windows of the bathroom to maintain enough ventilation.
3. This cabinet is built to withstand normal bathroom humidity. For best results, keep this vanity dry and take necessary steps to minimize bathroom humidity by opening windows and doors and using the exhaust fan (if available).
4. To maintain the cabinet door, clean and wipe the door regularly with a soft cloth. Wipe condensation with a dry soft cloth. Keep away from resin and high temperatures.
5. Please do not sit, lean or step on the basin cabinet.

FEEDBACK ★★★★★

Thank you very much for purchasing from us

We have always been trying to provide the best service and reliable products for every customer.

We sincerely hope you will be satisfied with our products and leave us FIVE STARS and POSITIVE feedback/review in our page.

However, accident may happen sometimes, please contact us to resolve any issue before leaving a negative feedback.

Many thanks and welcome to our shop again!