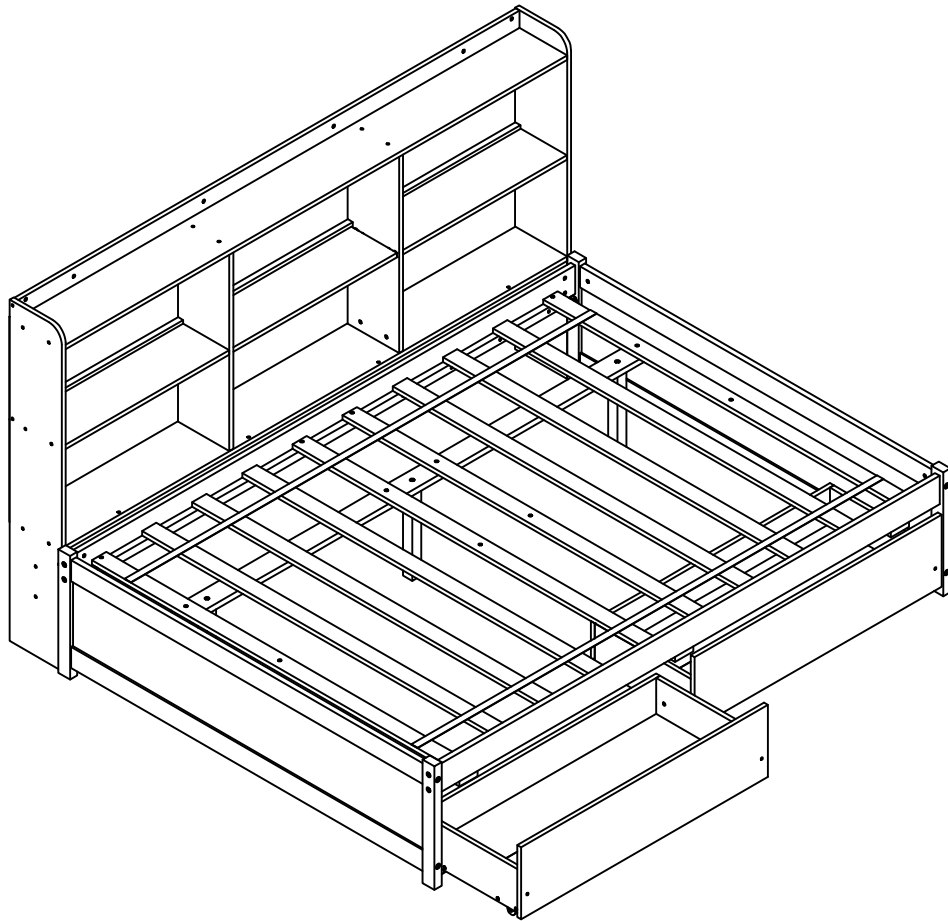
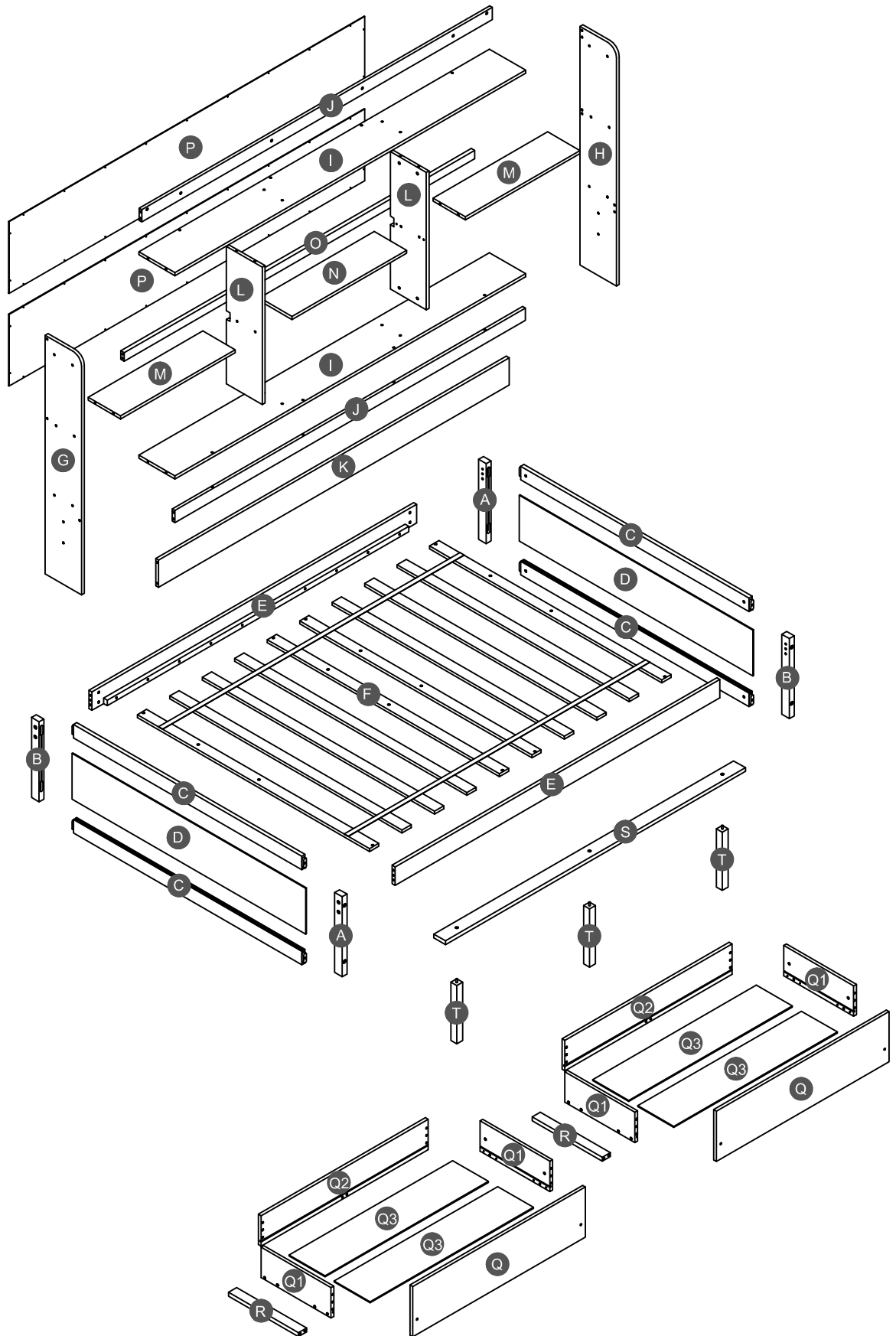


ASSEMBLY INSTRUCTIONS

FULL BED WITH SIDE BOOKCASE, 2 DRAWERS

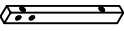

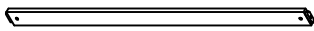


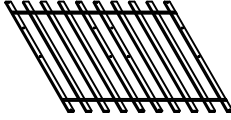
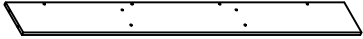

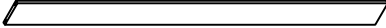


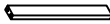

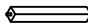


Detail View

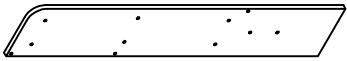
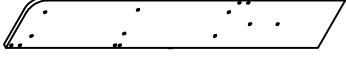
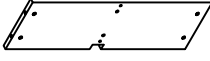
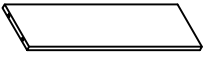
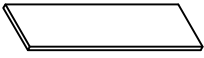
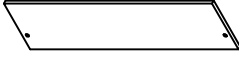





Part List

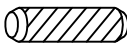
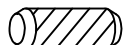
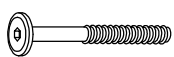
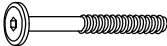


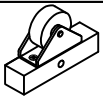

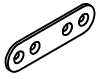

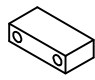




(1-2)

A  Leg (Left Front/Right Back) - 2pcs	B  Leg (Left Back/Right Front) - 2pcs	C  Horizontal bar HB & FB - 4pcs
D  Side panel HB & FB - 2pcs	E  Side rail - 2pcs	F  Slats - 1set = 10pcs
I  Shelf panel - 2pcs	J  Horizontal bar (Back) - 2pcs	K  Lower horizontal bar - 1pc
O  Divider horizontal bar (Back) - 1pc	P  Back panel - 2pcs	R  Support drawer - 2pcs
S  Lower support slat - 1pc	T  Leg support - 3pcs	

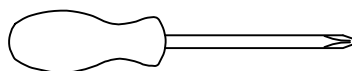
Hardware List (2-2)

G  Side panel (Left) - 1pc	H  Side panel (Right) - 1pc	L  Divider panel - 2pcs
M  Shelf panel (Left/Right) - 2pcs	N  Adjustable shelf - 1pc	Q  Front drawer panel - 2pcs
Q1  Left / right drawer panel - 4pcs	Q2  Back drawer panel - 2pcs	Q3  Drawer bottom - 4pcs

Hardware List (2-2)

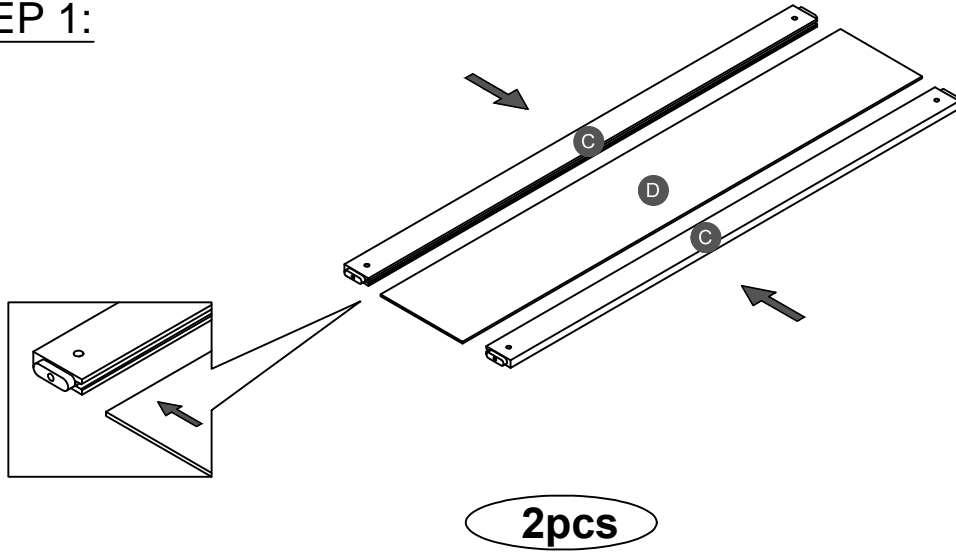
1  Ø8*30mm Wood dowel (34pcs)	2  Ø10*20mm Wood dowel (8pcs)	3  (Ø15)1/4"*80mm Hex-Head bolts (16pcs)
4  (Ø12)1/4"*60mm Hex-Head bolts (50pcs)	5  1/4"*15 (9.5mm) Horizontal-Hole bolts(66pcs)	6  Ø4*30mm Wood screws (34pcs)
7  100*54*20 mm Wheels (8pcs)	8  (1/4")4.5*58mm Allen key (1pc)	9  75*20*2 mm Metal bracket (4pcs)
10  Ø3.5*15mm Wood screws (62pcs)	11  70*35*19 mm Drawer stopper (3pcs)	12  29*16*14mm Shelf pin (4pcs)
13  Ø4*38mm Wood screws (2pcs)	14  Ø9*32mm Plastic anchor (2pcs)	15  58*16*16*(1.5mm) Metal bracket (2pcs)

ASSEMBLY TOOLS REQUIRED (NOT INCLUDED)





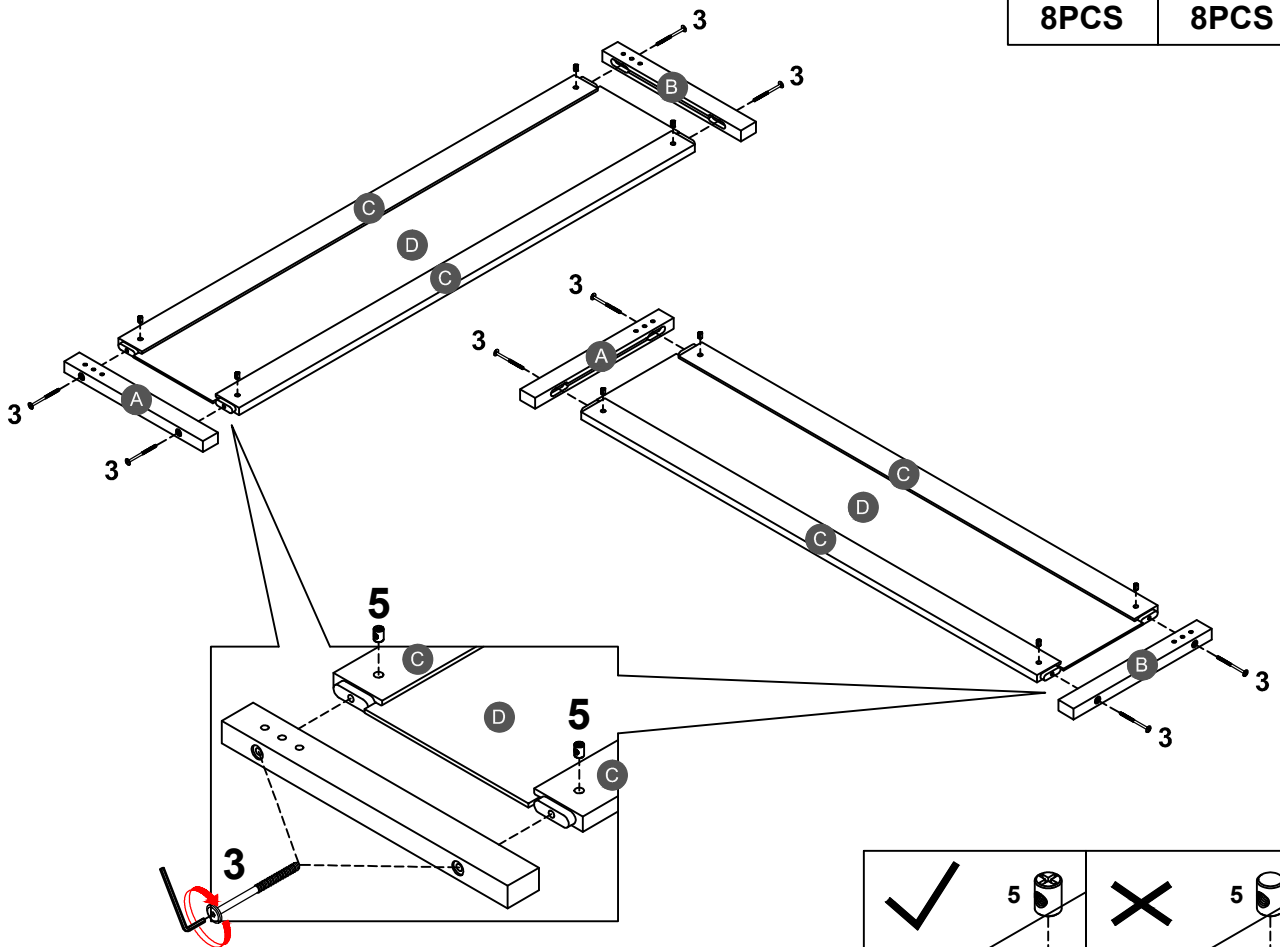
PLEASE BE CAREFUL DO NOT DAMAGE THE HOLE POSITION WHEN YOU USE POWER TOOLS !

STEP 1:




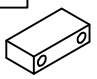
STEP 2:

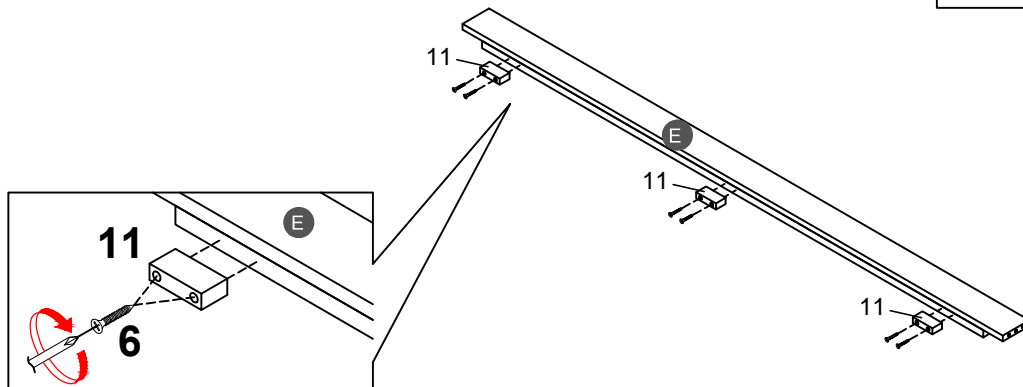
3	5
	
8PCS	8PCS



Note: Part 5 will face up with the "x" mark on it, otherwise it cannot be tightened




STEP 3:

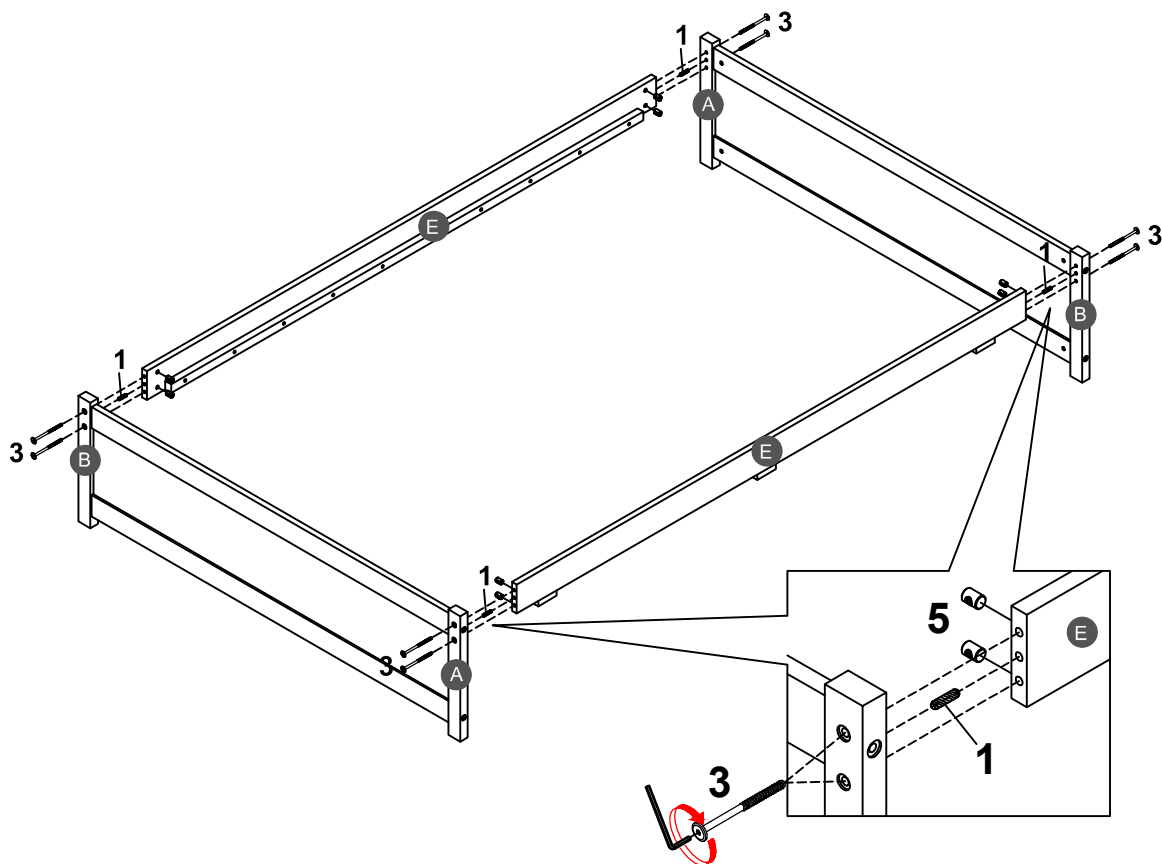
6 	11 
6PCS	3PCS



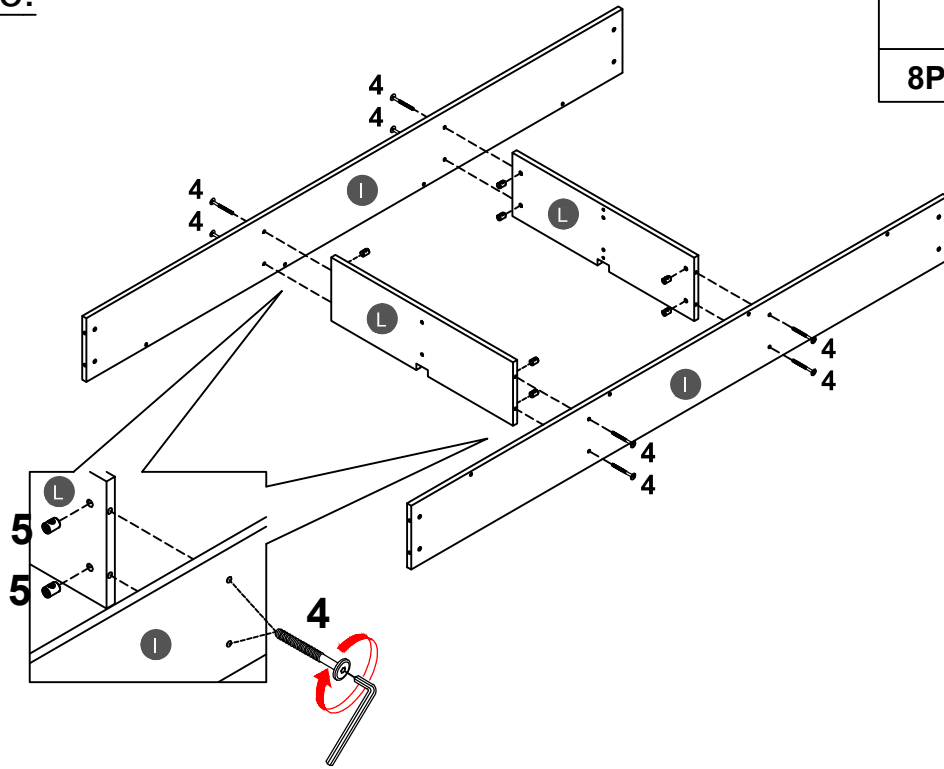
Drawer stopper (11) with lower side rail front (E) by using screw (6).



STEP 4:

1 	3 	5 
4PCS	8PCS	8PCS

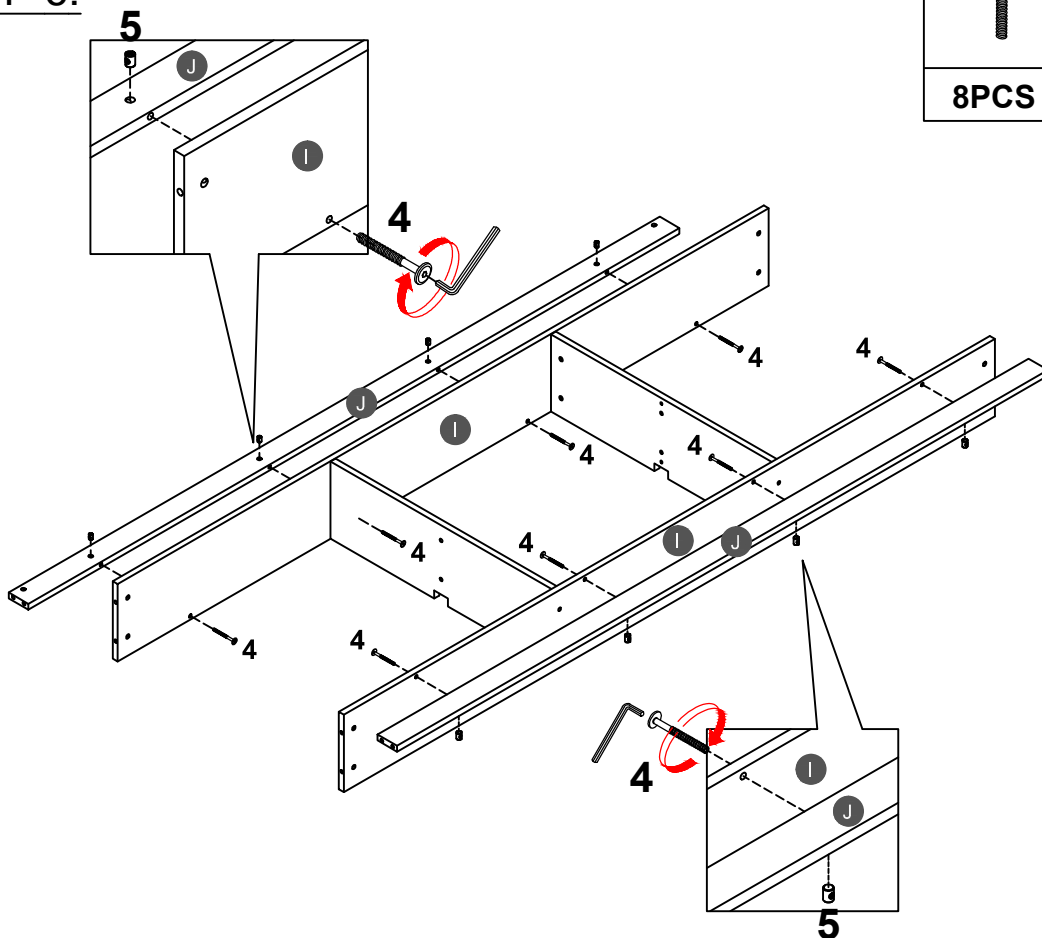




STEP 5:



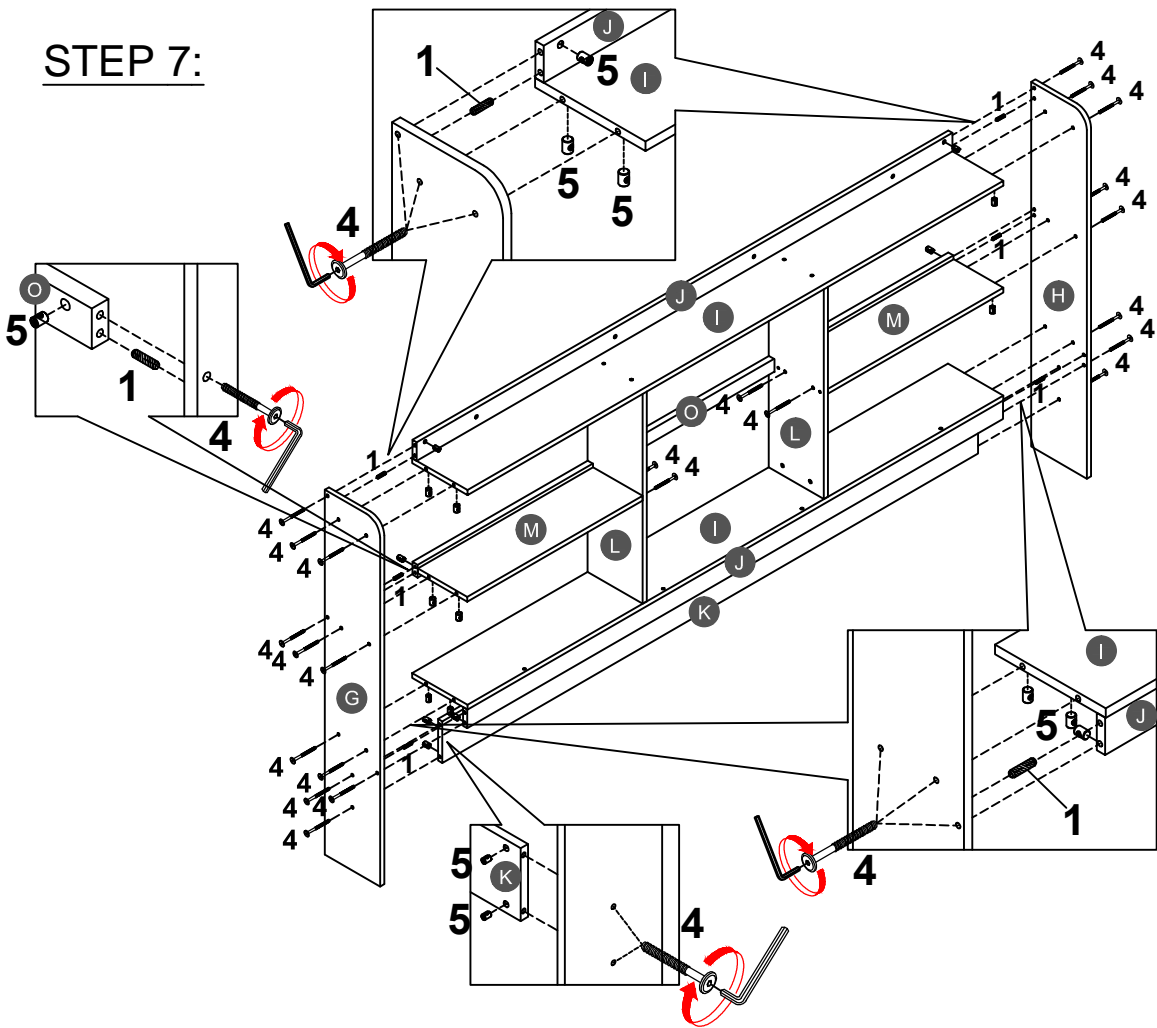
4		5	
8PCS		8PCS	

STEP 6:



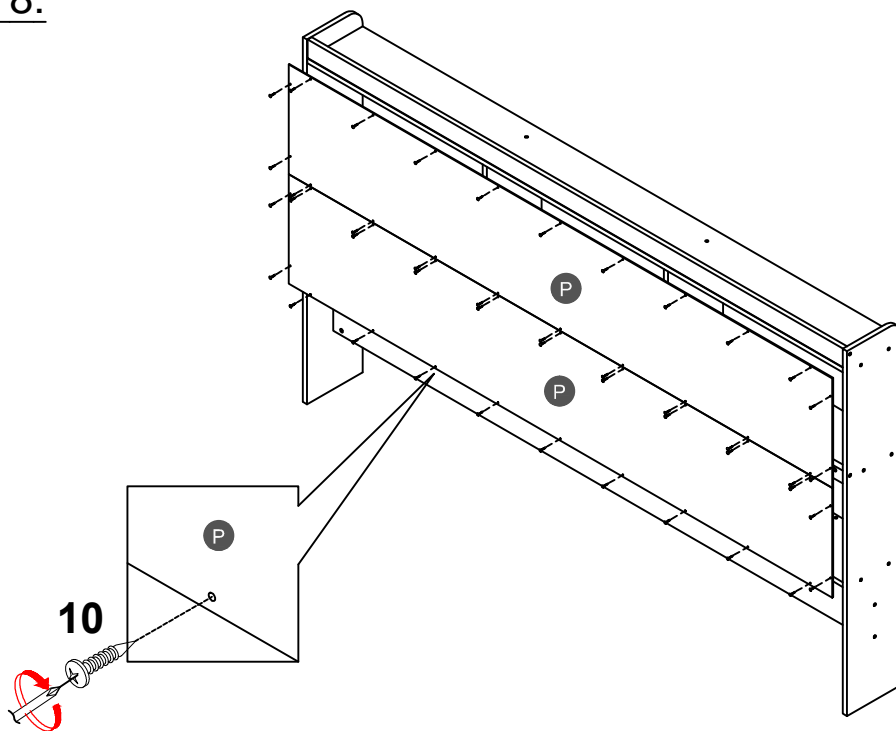
4		5	
8PCS		8PCS	

STEP 7:




1	
6PCS	
4	
26PCS	
5	
26PCS	

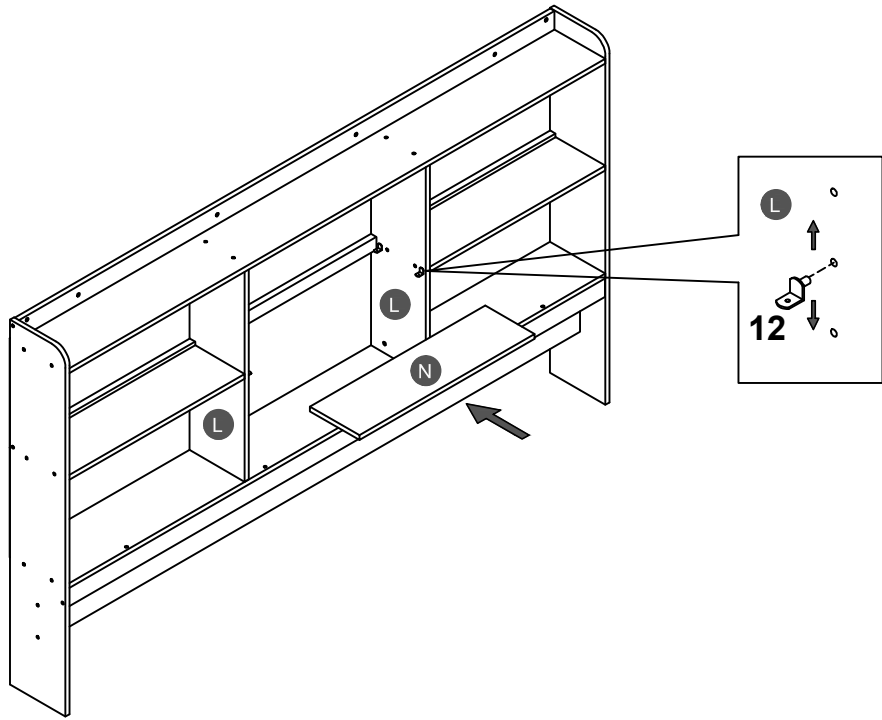
STEP 8:



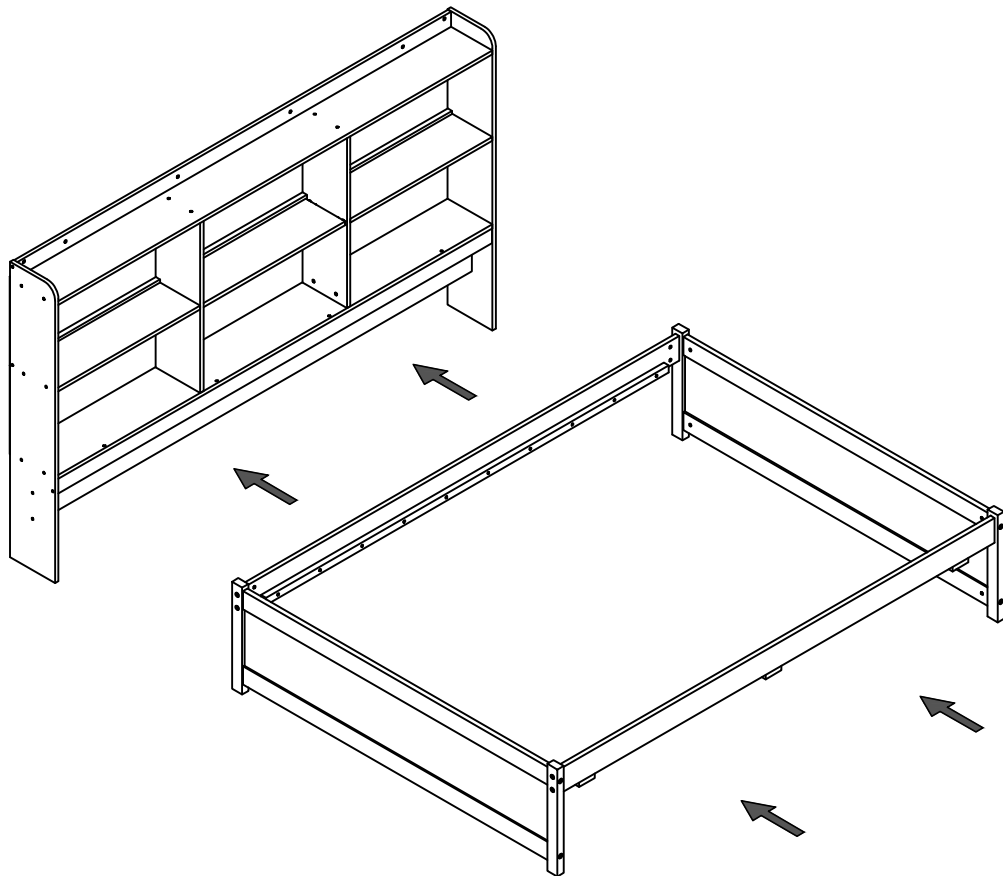
10	
44PCS	

STEP 9:

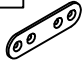

12

4PCS

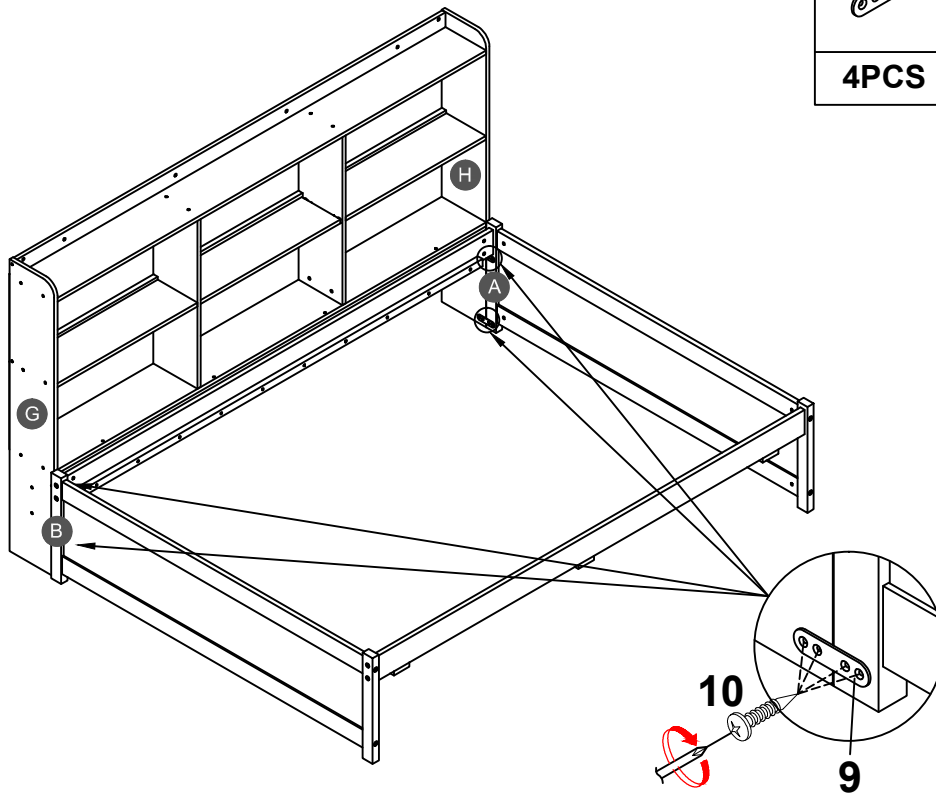


STEP 10:

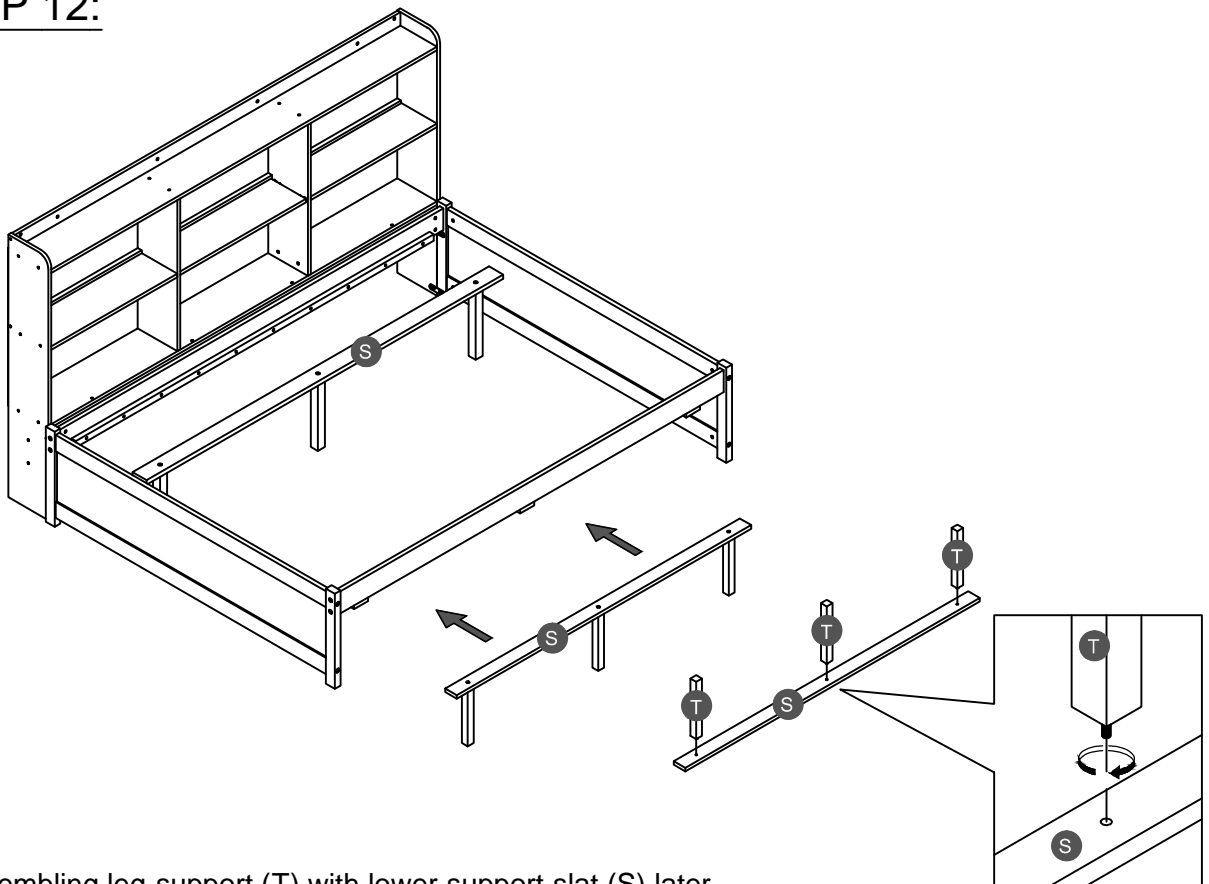


STEP 11:

9		10	
4PCS		16PCS	



STEP 12:



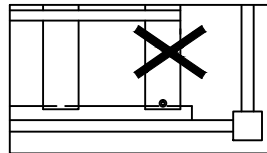
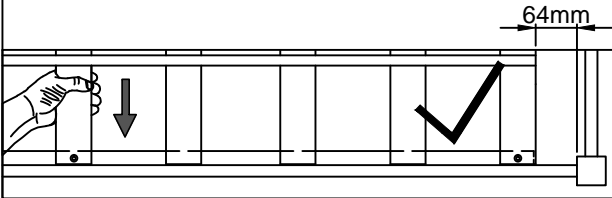
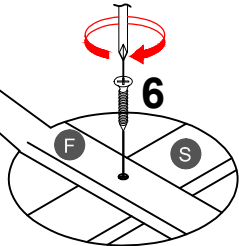
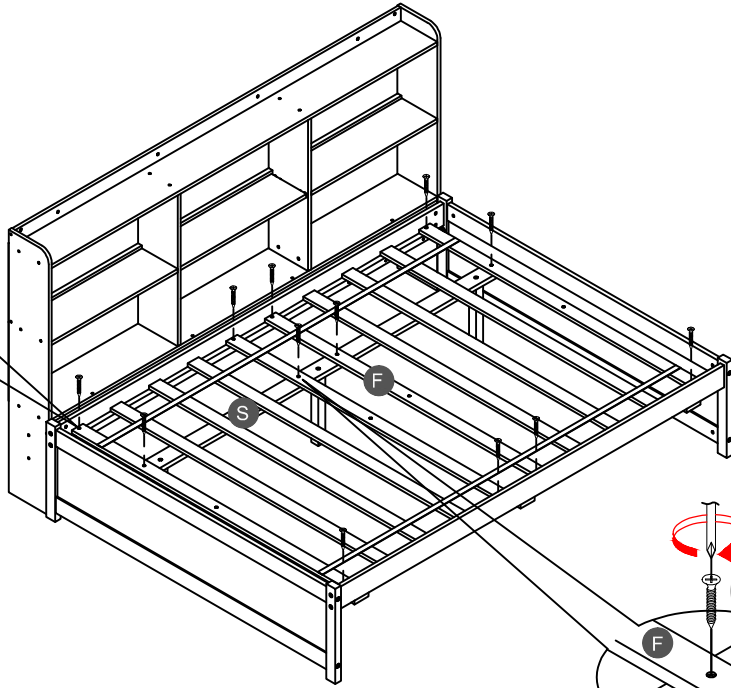
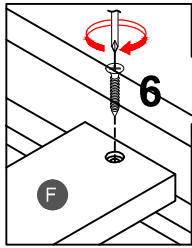
Assembling leg support (T) with lower support slat (S) later rotate, Move support slat inside Full bunkbed.

STEP 13:

6

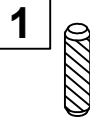


12PCS

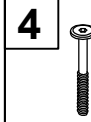


Note: Do not lock the screws of the bed slats to the outermost edge of the bed slats, you need to leave a certain space at the edges, otherwise it will cause the board to break. Do not lock the bed slats on the edge of the wood, please hold firmly before screwing , hold it in place with one hand, then lock the screw.

STEP 14:



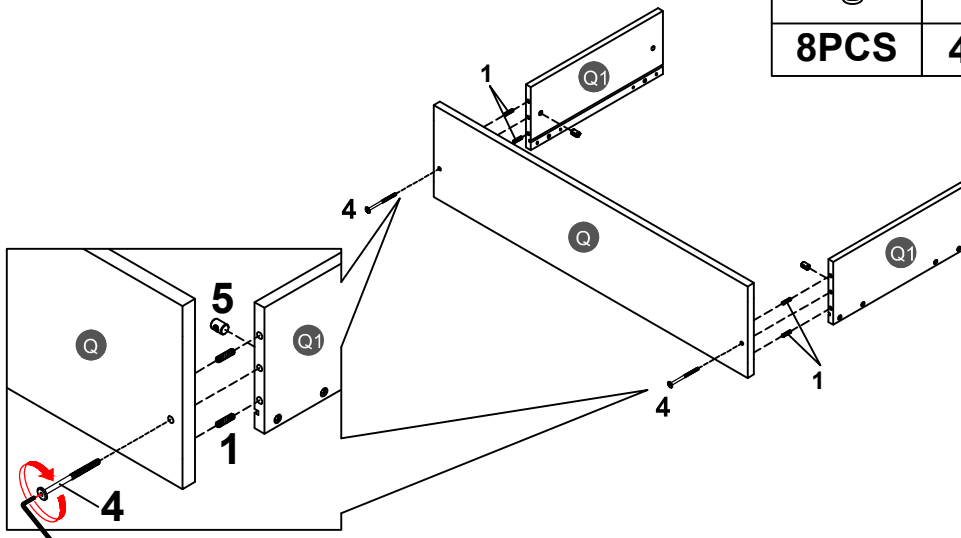
8PCS



4PCS






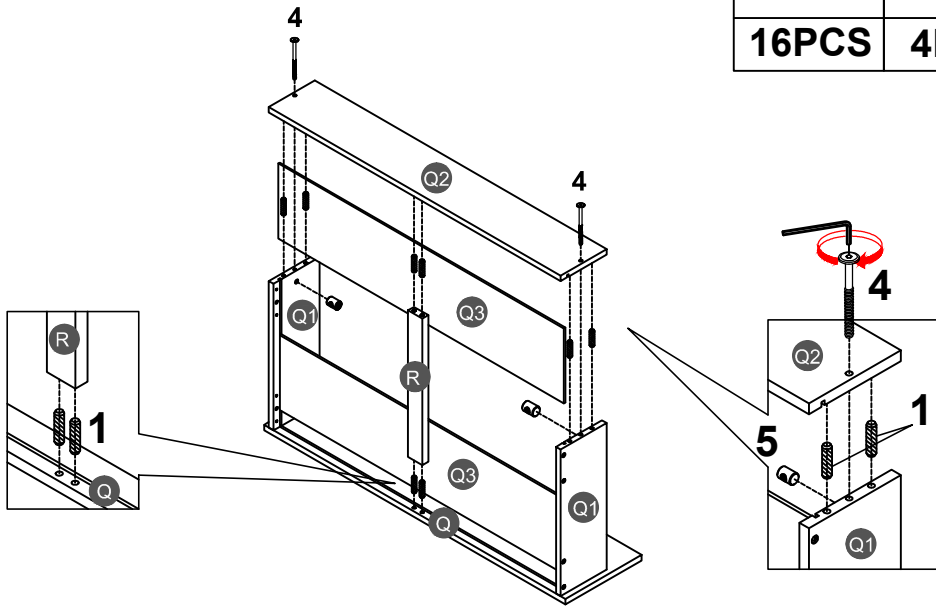
4PCS



2pcs



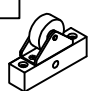
STEP 15:

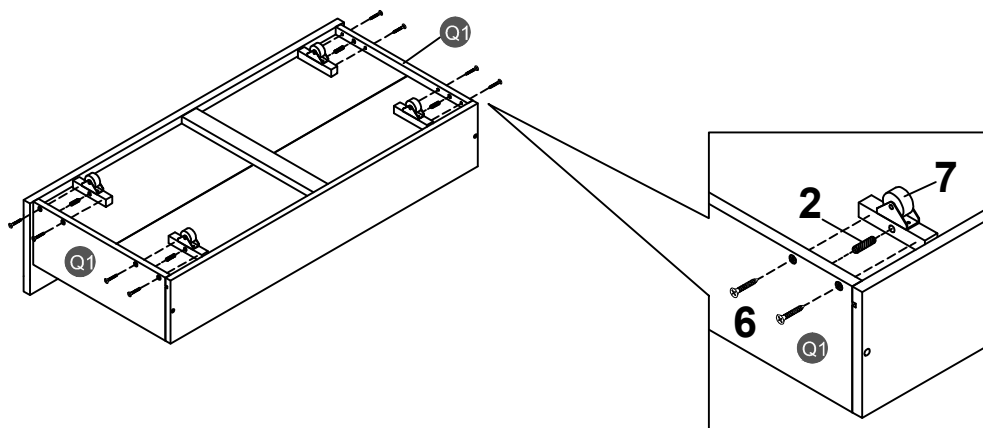
1		4		5	
16PCS		4PCS		4PCS	



2pcs

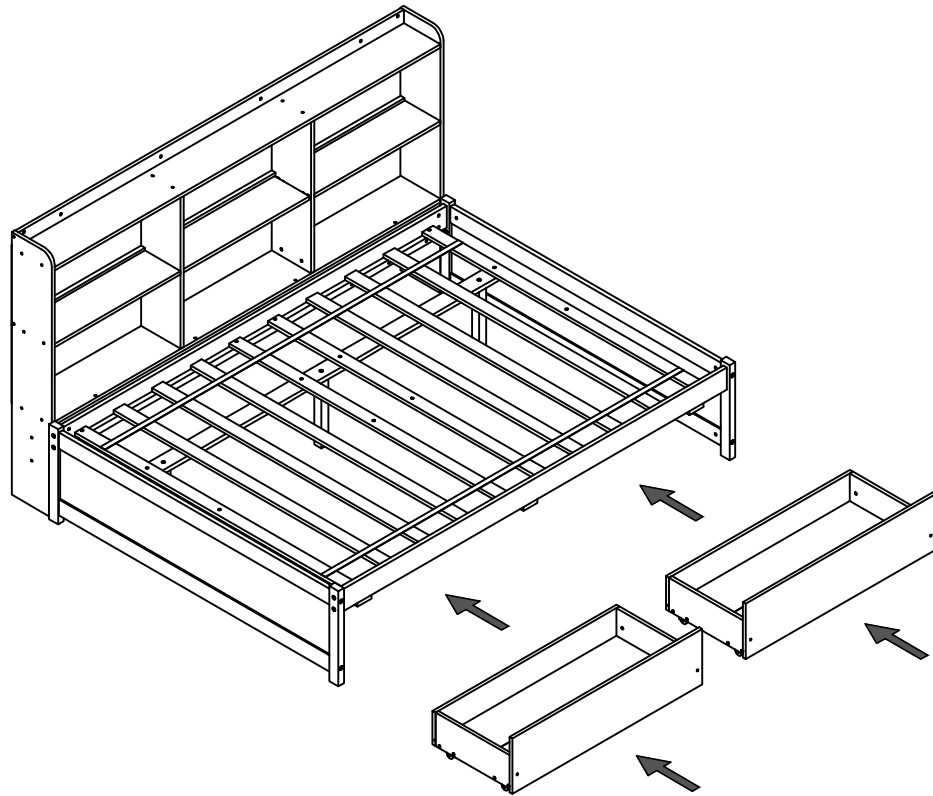
STEP 16:

2		6		7	
8PCS		16PCS		8PCS	

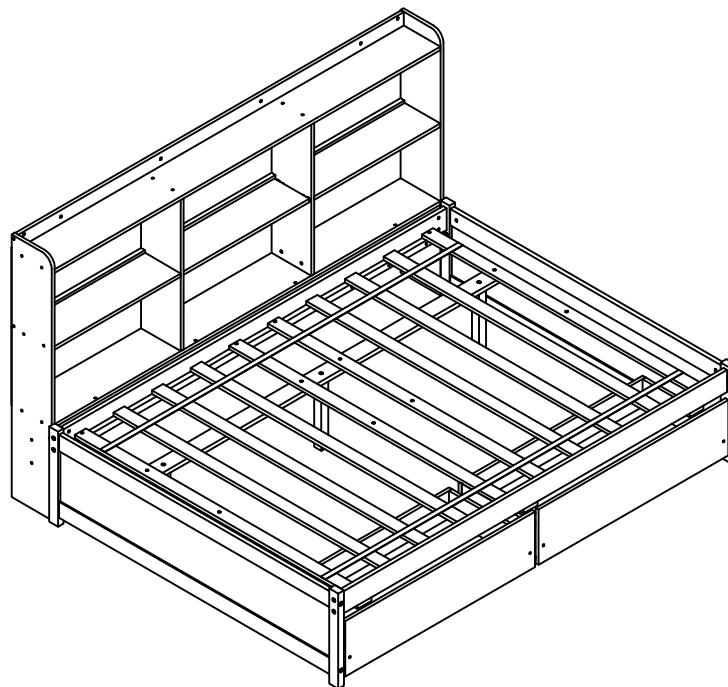


2pcs

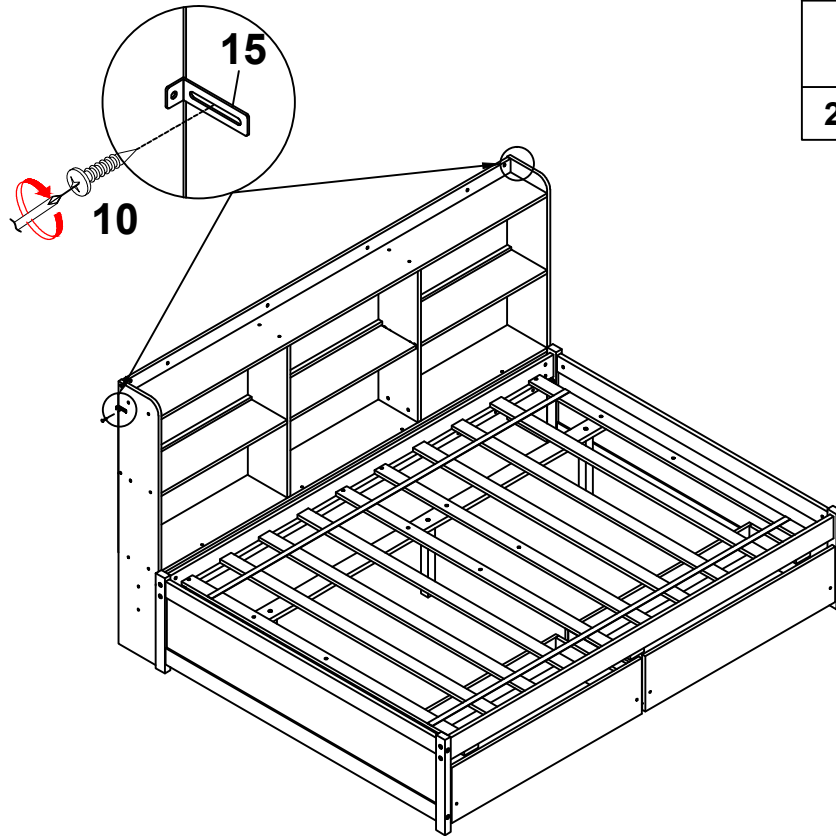
STEP 17:





Push Drawer under the bottom of Bunk Bed.



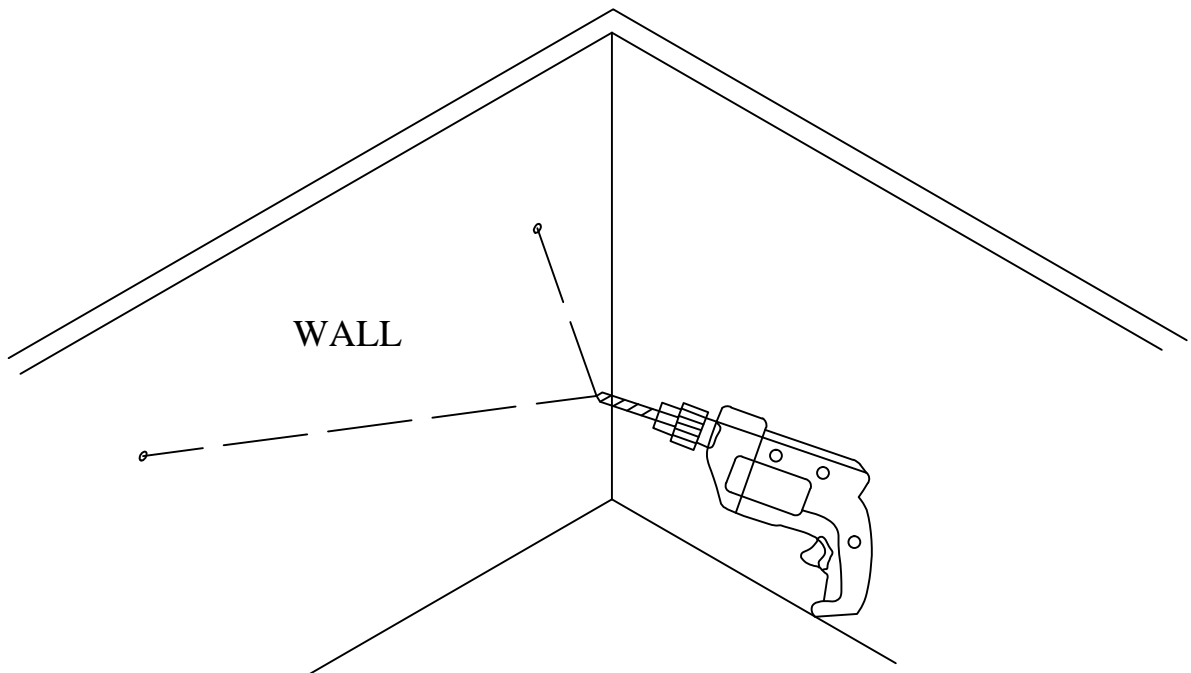
STEP A:



10		15	
2PCS		2PCS	

Installing the Anti-Tip Bracket.

STEP B:



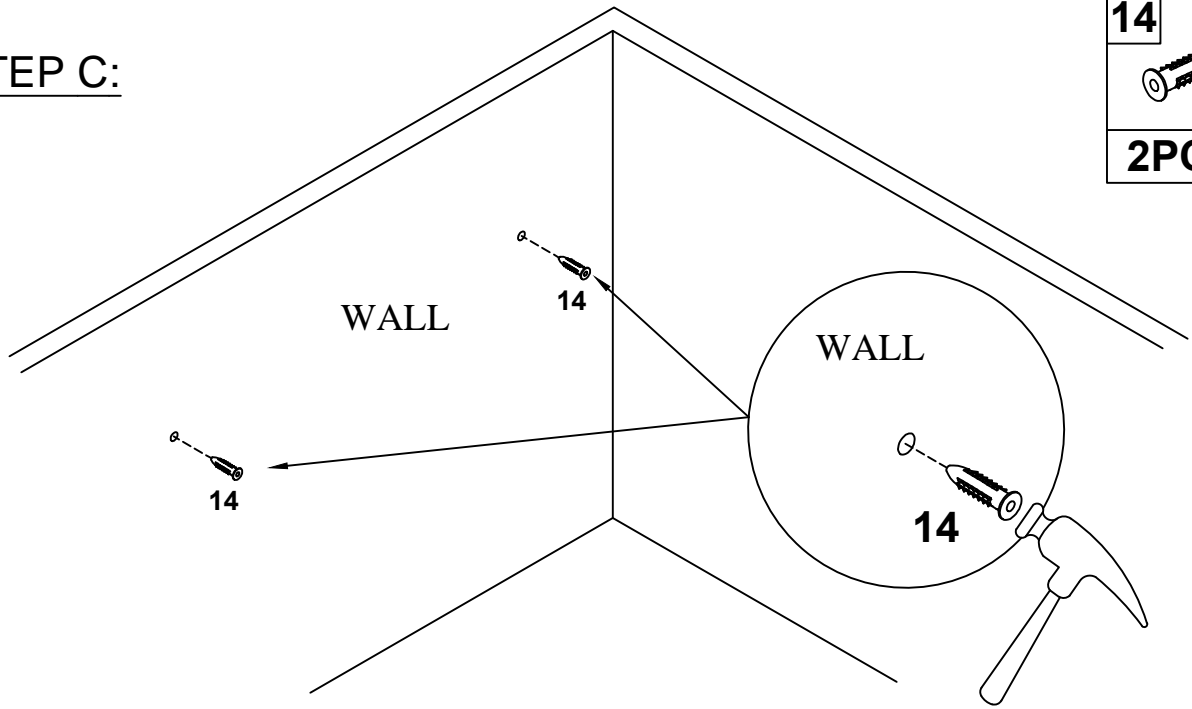
Drill holes in the wall.

STEP C:

14



2PCS



Tap plastic anchor in with a hammer or mallet.

STEP D:

13



2PCS

