

VEVOR[®]

TOUGH TOOLS, HALF PRICE

Technical Support and E-Warranty Certificate www.vevor.com/support

TV STAND WITH MOUNT

USER MANUAL

MODEL NO.: C240411S-01

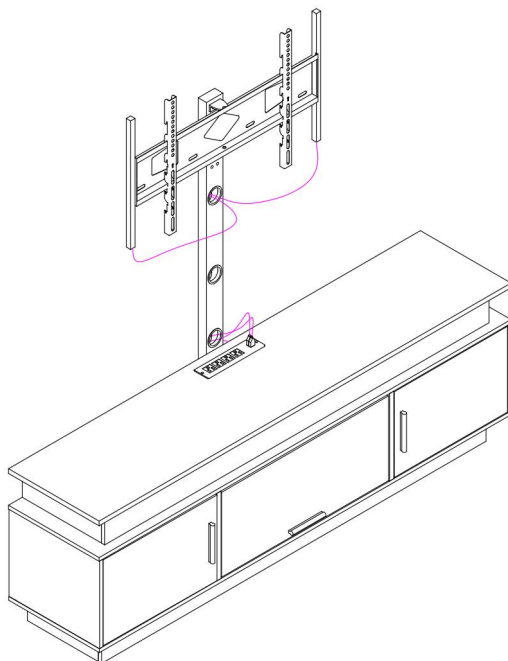
We continue to be committed to provide you tools with competitive price. "Save Half", "Half Price" or any other similar expressions used by us only represents an estimate of savings you might benefit from buying certain tools with us compared to the major top brands and does not necessarily mean to cover all categories of tools offered by us. You are kindly reminded to verify carefully when you are placing an order with us if you are actually Saving Half in comparison with the top major brands.

VEVOR®

TOUGH TOOLS, HALF PRICE

TV STAND WITH MOUNT

MODEL NO.: C240411S-01



NEED HELP? CONTACT US!

Have product questions? Need technical support? Please feel free to contact us:

Technical Support and E-Warranty Certificate
www.vevor.com/support

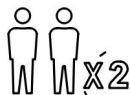
This is the original instruction, please read all manual instructions carefully before operating. VEVOR reserves a clear interpretation of our user manual. The appearance of the product shall be subject to the product you received. Please forgive us that we won't inform you again if there are any technology or software updates on our product.

WARNING:

Please read this manual carefully before using the product. Failure to do so may result in serious injury.



Please read and observe carefully all the assembly instructions before beginning assembly.



Unit should be assembled by two or more people.



DO NOT CLIMB

Please do not let your child climb on the product. If you have kids or animals who like to climb, we highly recommend using the wall anchors and brackets/straps that come with the package.

ASSEMBLY PRECAUTIONS

1. Assemble only according to these instructions. Improper assembly can create hazards.
2. Wear ANSI-approved safety goggles and heavy-duty work gloves during assembly.
3. Keep the assembly area clean and well-lit.
4. Keep bystanders out of the area during assembly.
5. Do not assemble when tired or when under the influence of alcohol, drugs or medication.
6. The product capabilities apply to properly and completely assembled products only.

7. Assemble on a flat, level, hard and smooth surface capable of safely supporting the TV STAND WITH MOUNT.

8. For additional information regarding the parts listed in the following pages, please refer to the Assembly Diagram of this manual. Unwrap and separate all parts in a clean work area.

SAVE THESE INSTRUCTIONS

USE PRECAUTIONS

TO PREVENT SERIOUS INJURY AND DEATH FROM TIPPING:

1. This product is not a toy Do not allow children to play with or near this item.
2. Do not exceed weight capacities, before moving.
3. Use only on a flat, hard and smooth surface capable of safely supporting a fully loaded TV STAND WITH MOUNT.
4. Use as intended only.
5. Inspect before every use; do not use if parts are loose or damaged.

TECHNICAL SPECIFICATIONS

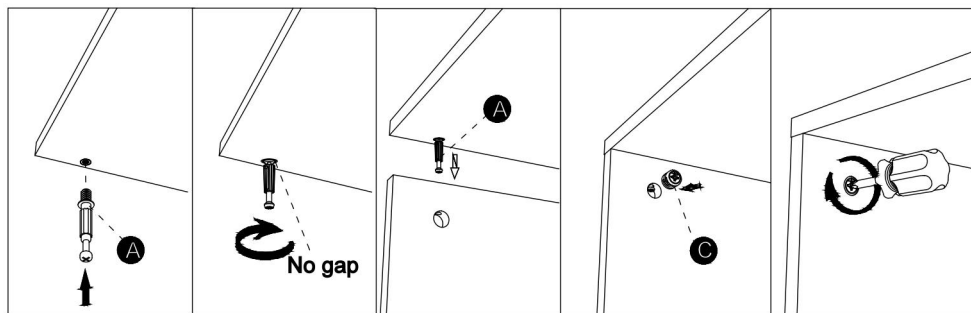
Model	C240411S-01
Rating(s)	12A 125Vac 60Hz 1500W
Product Dimensions (LxWxH)(mm)	1300*330*470
Net Weight(kg)	About 28

*Products such as specifications, appearance, and design are subject to modification without prior notice.

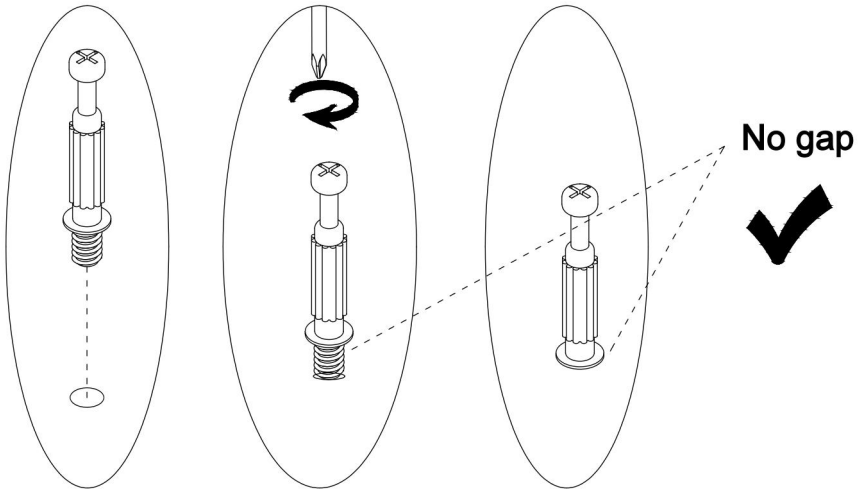
PACKAGE CONTENTS

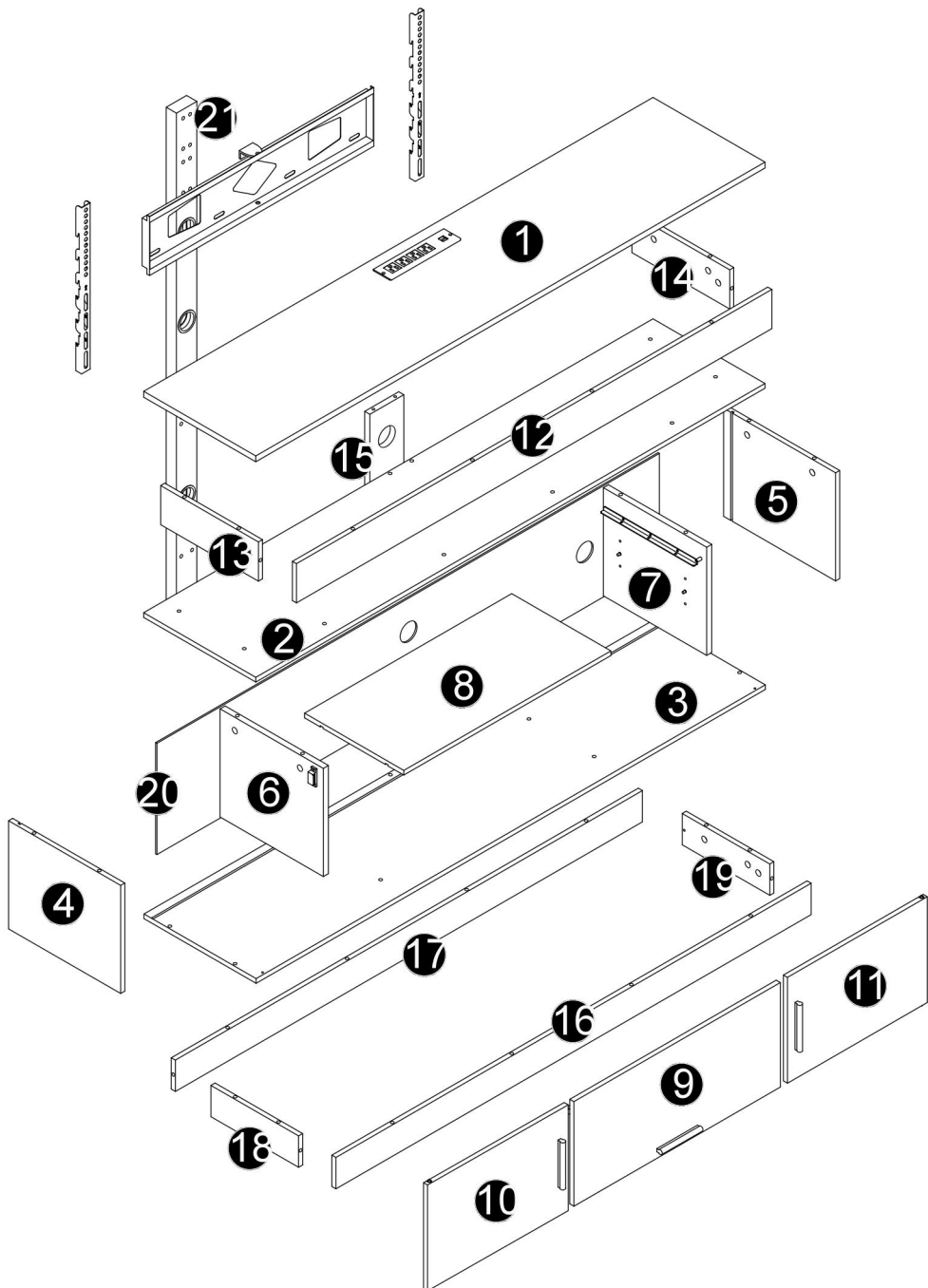
Installation of Cams and Pins

Screw the pin into the hole. To set the cams correctly, ensure that the arrow on the cam is pointing to the hole of the pin and lock it. Lock the cam by turning the cam head with a screwdriver until it is tightened. Please do not use an electric screwdriver to assemble the unit.

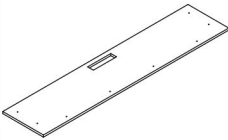
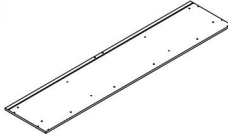
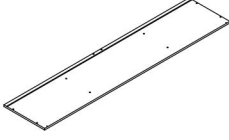
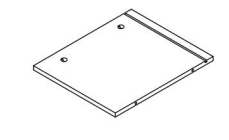
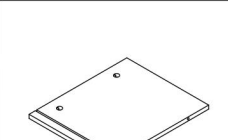
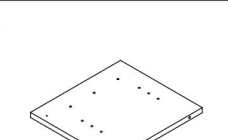
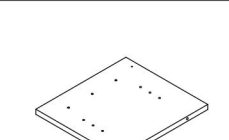
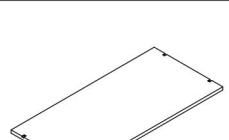
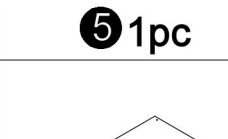
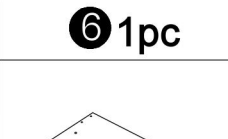
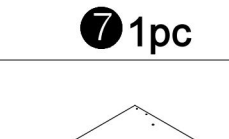
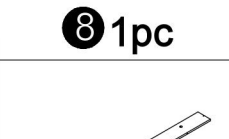
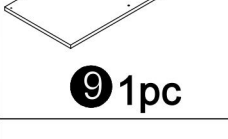
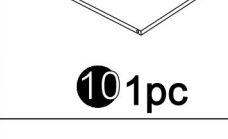
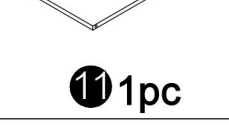
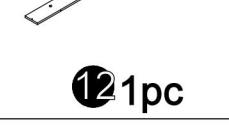
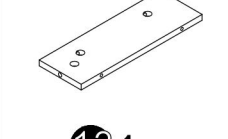
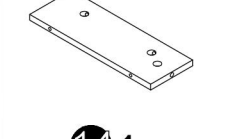
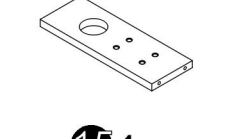
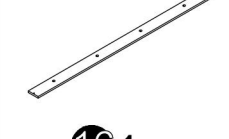


Read each step carefully before starting. It is very important that each step of instruction is performed in the correct order. If these steps are not followed in sequence, assembly difficulties will occur.


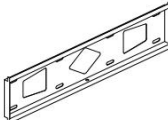






































Parts & Hardware List

 1 1pc	 2 1pc	 3 1pc	 4 1pc
 5 1pc	 6 1pc	 7 1pc	 8 1pc
 9 1pc	 10 1pc	 11 1pc	 12 1pc
 13 1pc	 14 1pc	 15 1pc	 16 1pc
 17 1pc	 18 1pc	 19 1pc	 20 1pc

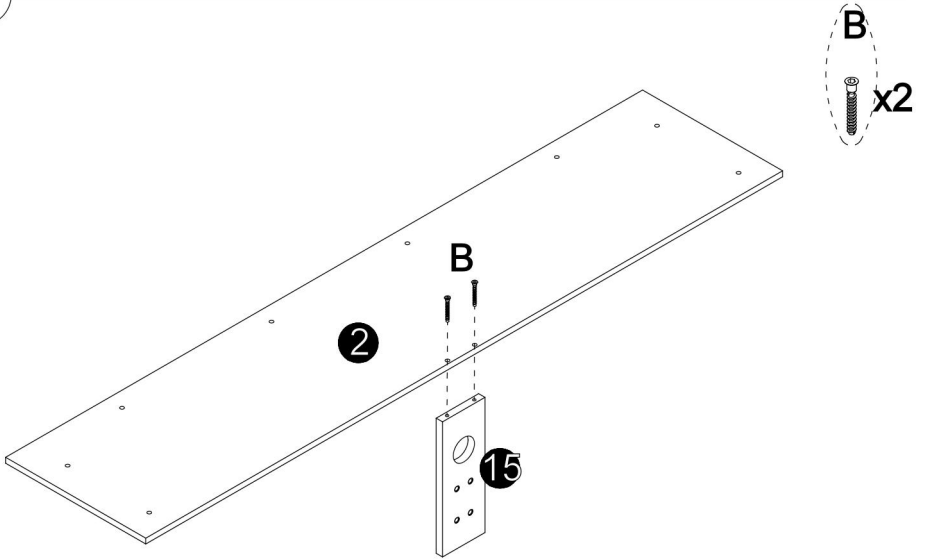
Parts & Hardware List

 <p>21 1pc</p>	 <p>22 1pc</p>	 <p>23 2pcs</p>
---	--	--

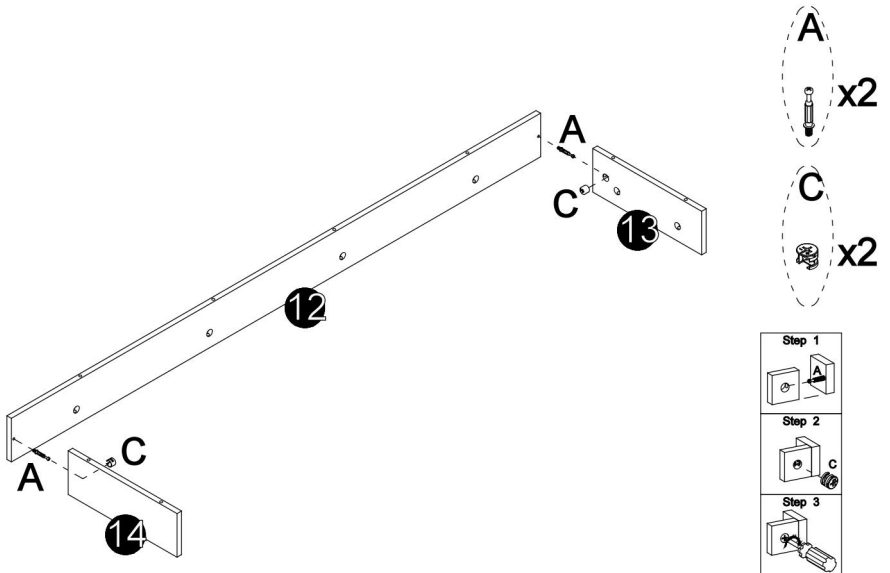
 <p>A 34pcs</p>	 <p>B 20pcs</p>	 <p>C 34pcs</p>	 <p>D 2pcs</p>	 <p>E 2pcs</p>	 <p>F 10pcs</p>
 <p>G 6pcs</p>	 <p>H 4pcs</p>	 <p>I 3pcs</p>	 <p>J 4pcs</p>	 <p>K 2pcs</p>	 <p>L 2pcs</p>
 <p>M 1set</p>	 <p>N 18pcs</p>	 <p>O 1set</p>	 <p>P 4pcs</p>	 <p>Q 6pcs</p>	 <p>R 2pcs</p>
 <p>S 2pcs</p>	 <p>T 2pcs</p>	 <p>U 2pcs</p>	 <p>V 4pcs</p>	 <p>W 4pcs</p>	 <p>X 4pcs</p>
 <p>Y 2pcs</p>	 <p>Z 1pc</p>	 <p>AA 1pc</p>	 <p>AB 4pcs</p>	 <p>AC 4pcs</p>	 <p>AD 4pcs</p>
			 <p>Washer TV6 X4</p>	 <p>SP1 TV7 X8</p>	 <p>SP2 TV8 X8</p>

ASSEMBLY STEPS

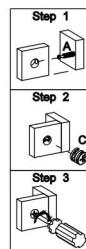
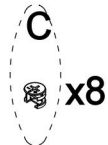
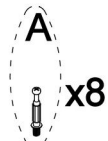
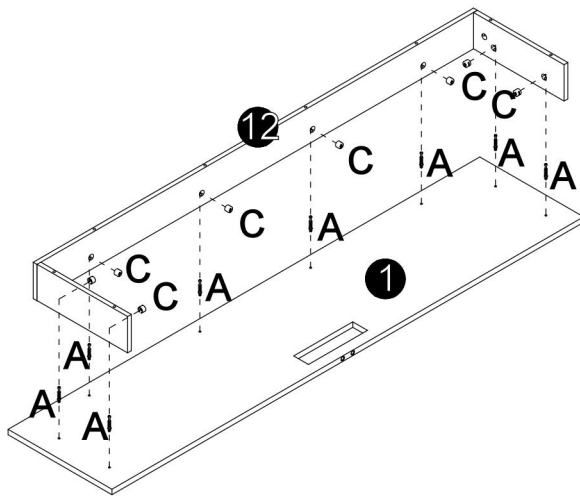
1



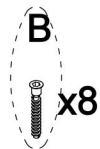
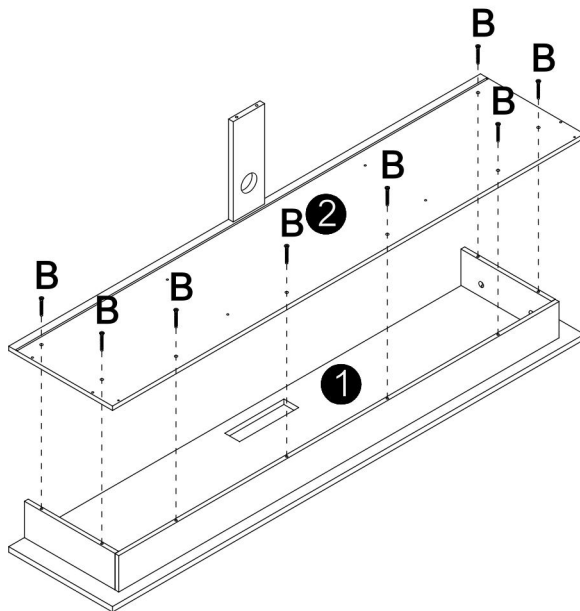
2



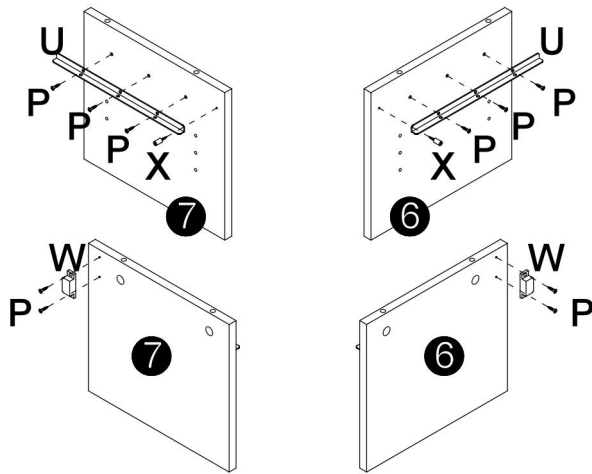
3



4

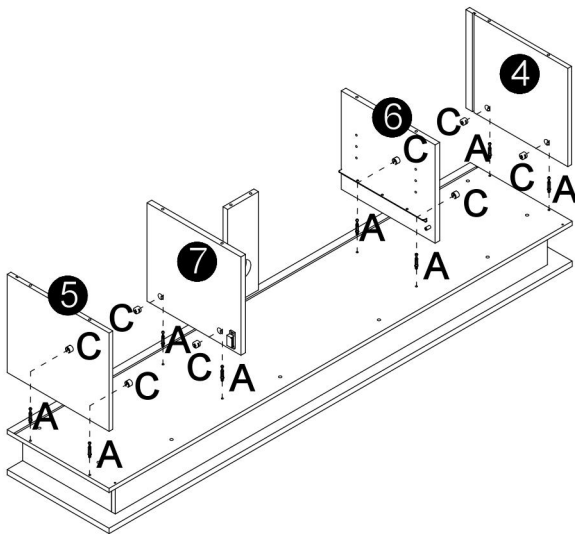


5

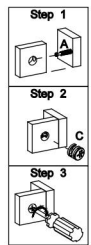


- P x10
- X x2
- W x2
- U x2

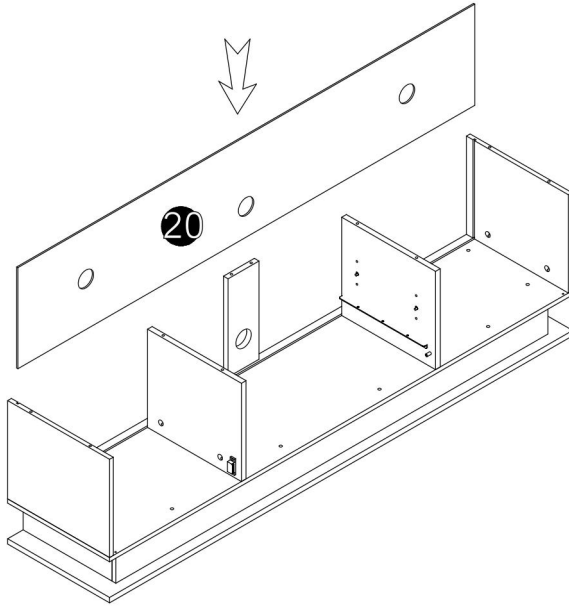
6



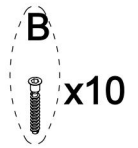
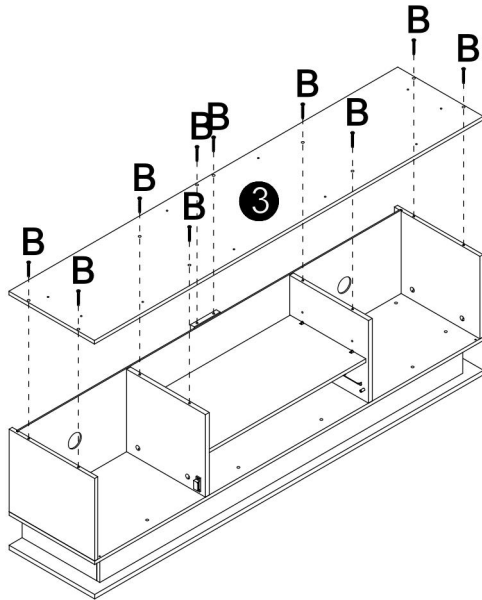
- A x8
- C x8



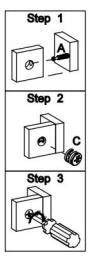
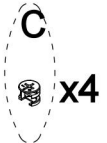
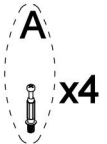
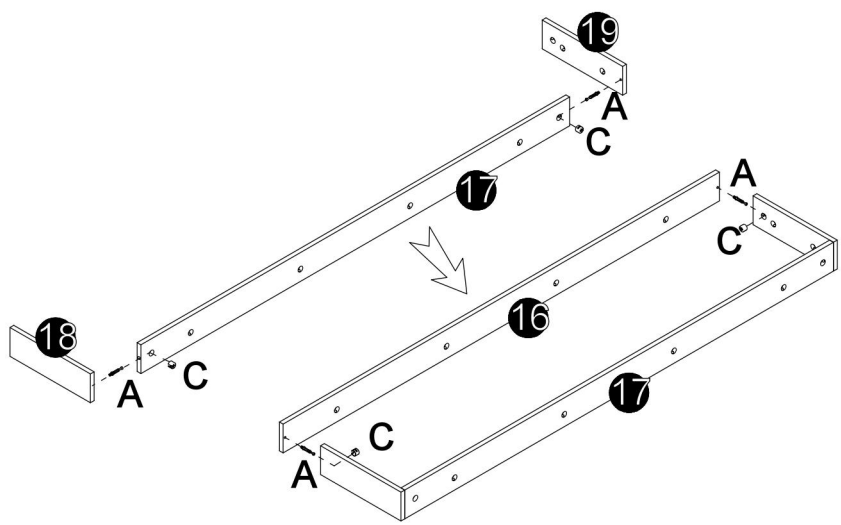
7



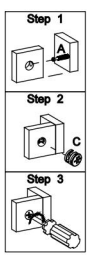
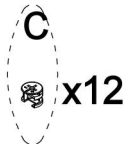
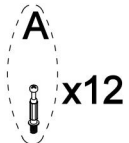
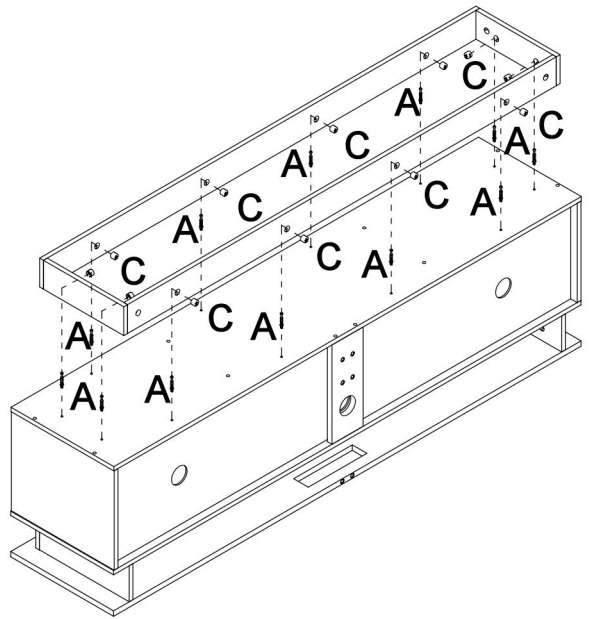
8



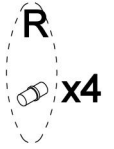
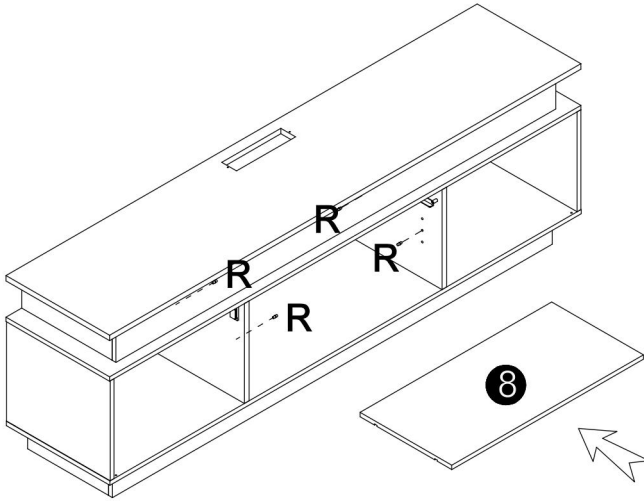
9



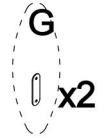
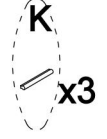
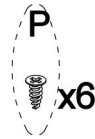
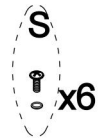
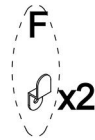
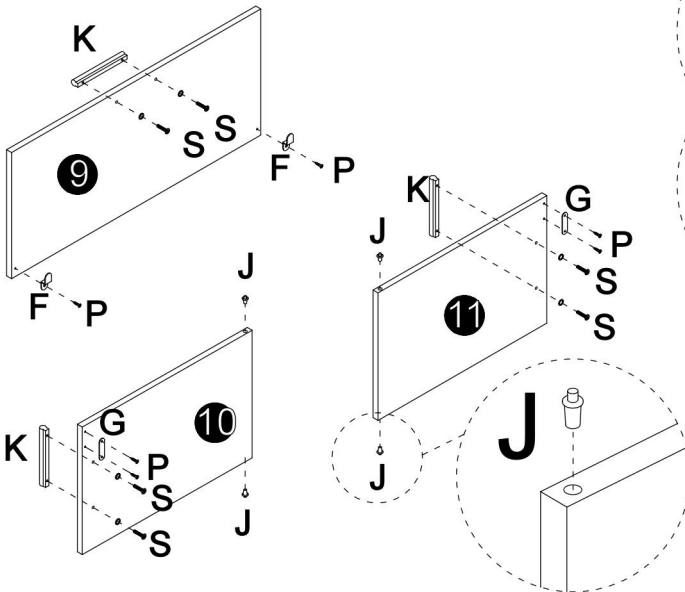
10



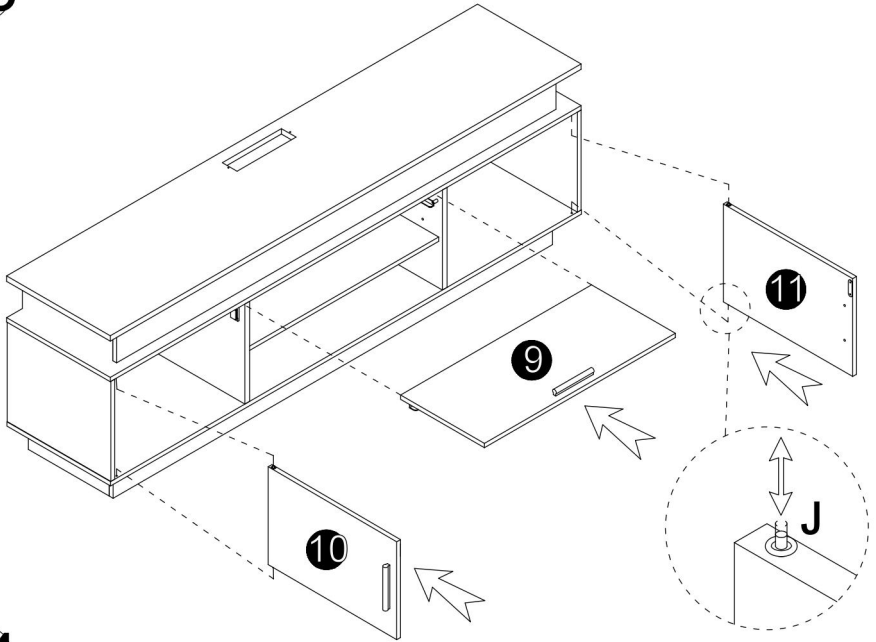
11



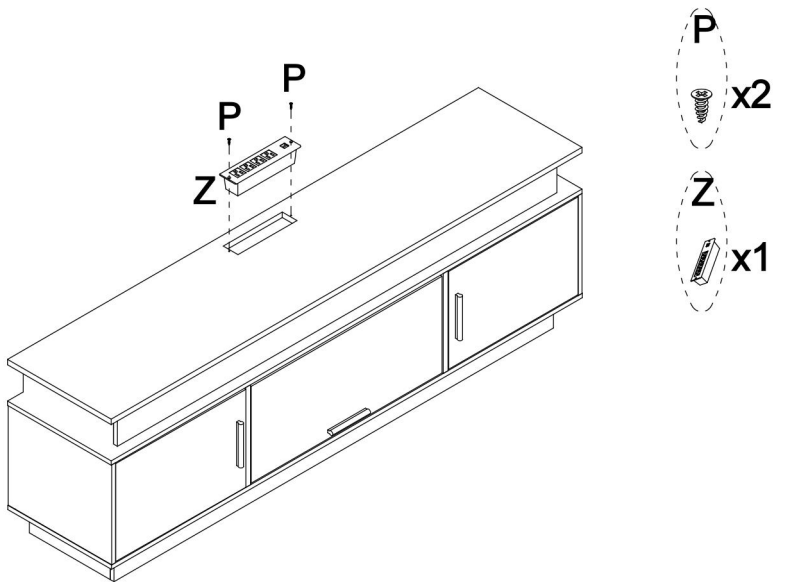
12



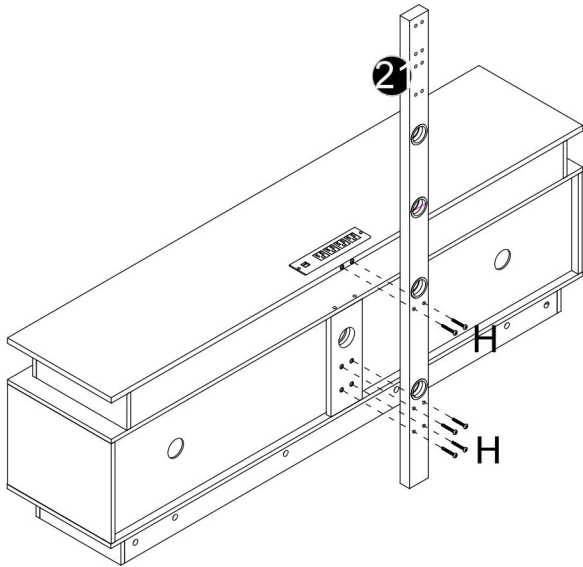
13



14

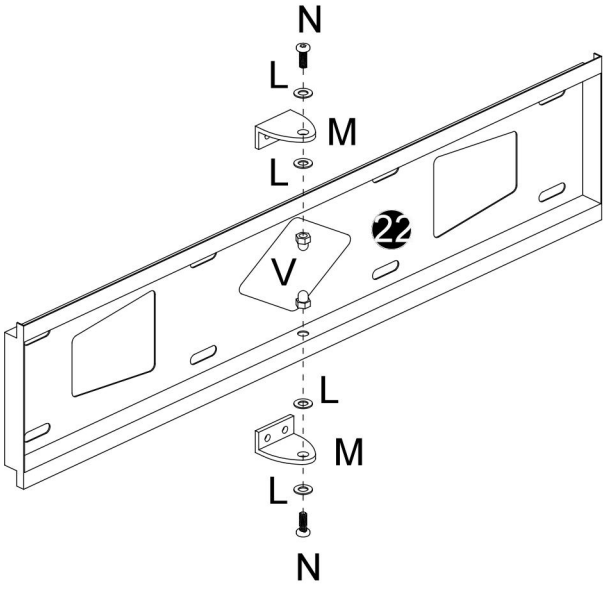


15



H
x6

16



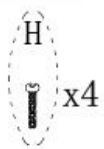
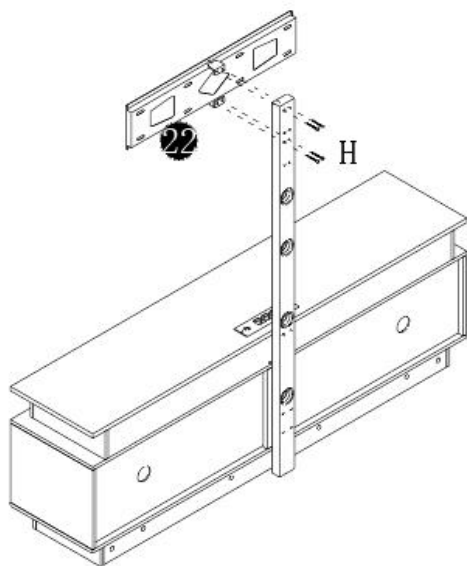
V
x2

N
x2

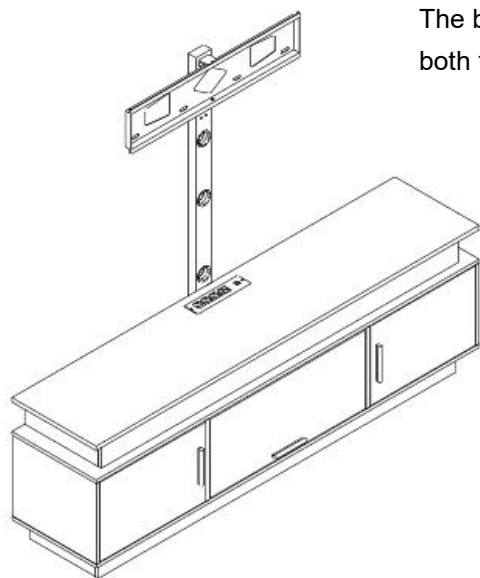
M
x2

L
x4

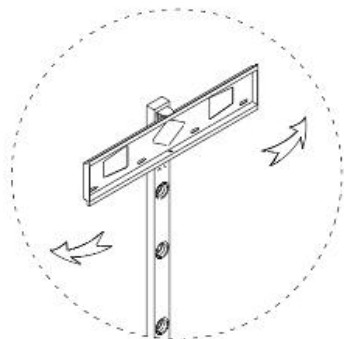
17



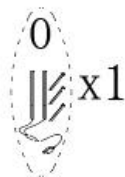
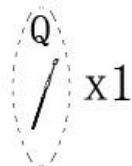
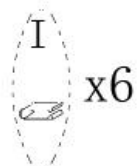
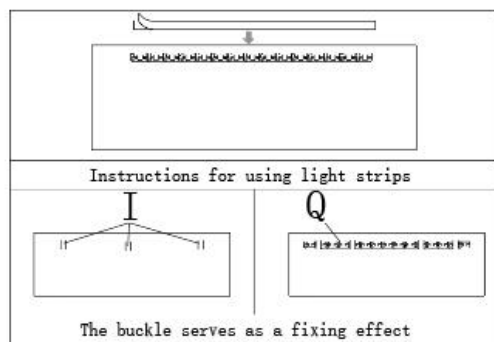
18



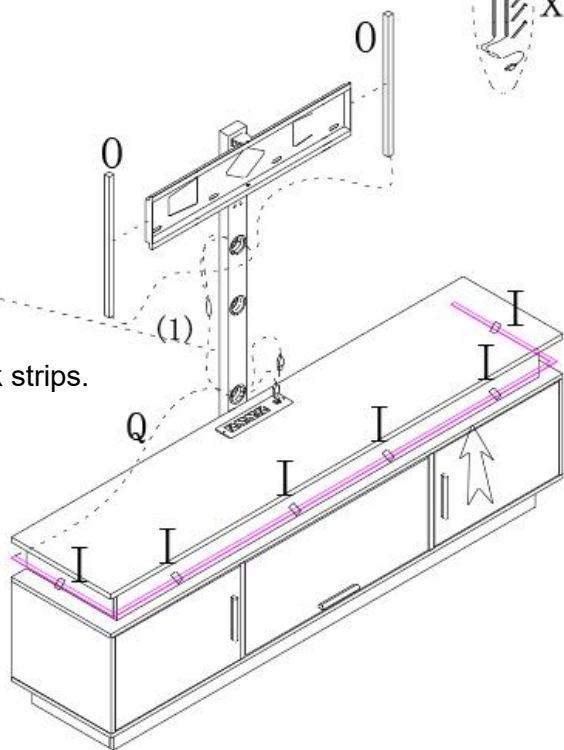
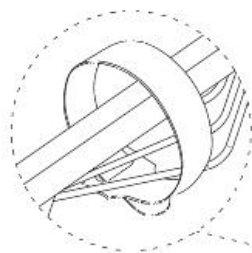
The bracket can rotate 40 degrees to both the left and right sides.



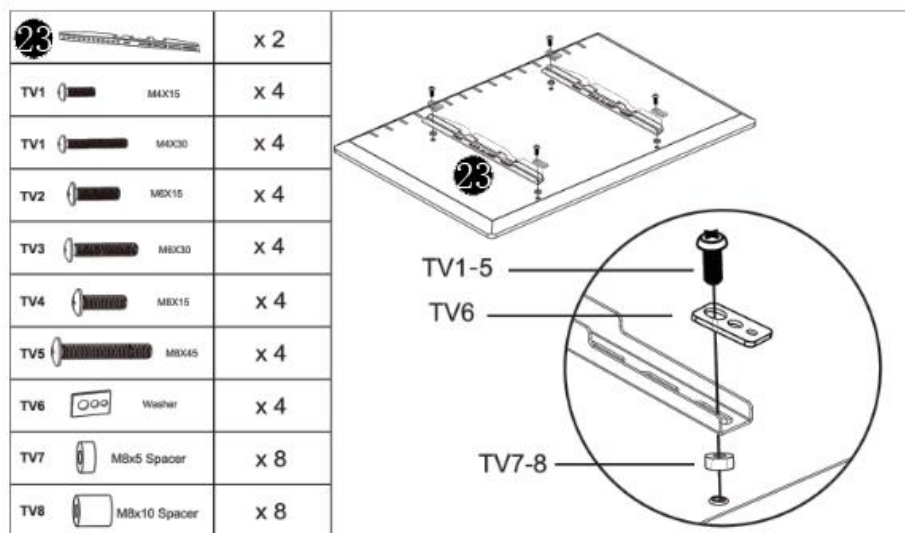
19



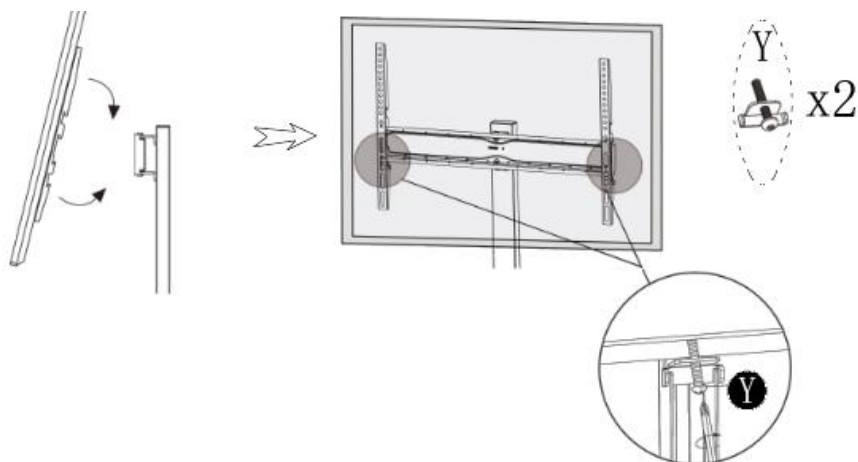
The light strip is installed under the countertop.



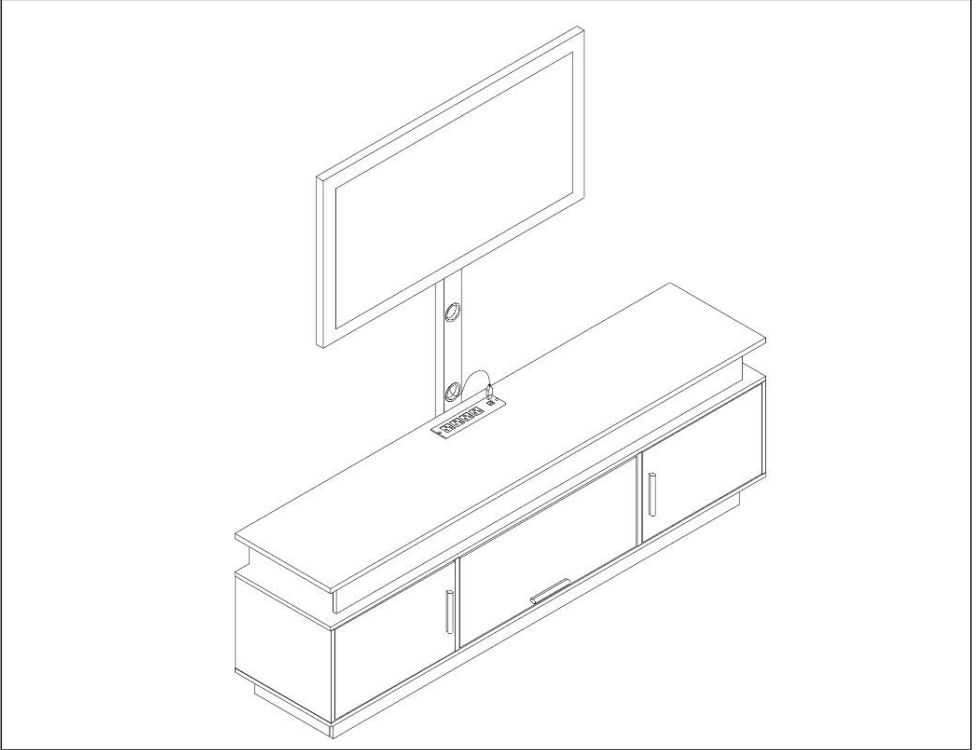
(1) Tie the wire with black strips.



First, make sure the diameter of the bolt (TV15) fits your TV. Then, please see the diagram above. You will need to thread the bolt into the TV using the correct washer (TV6) and spacer (TV7-8) if necessary. Please make sure the monitor brackets are vertically centered and level with each other.



COMPLETION



FCC Information:

CAUTION: Changes or modifications not expressly approved by the party responsible for compliance could void the user's authority to operate the equipment!

This device complies with Part 15 of the FCC Rules. Operation is subject to the following two conditions:

- 1) This product may cause harmful interference.
- 2) This product must accept any interference received, including interference that may cause undesired operation.

WARNING: Changes or modifications to this product not expressly approved by the party responsible for compliance could void the user's authority to operate the product.

Note: This product has been tested and found to comply with the limits for

a Class B digital device pursuant to Part 15 of the FCC Rules, These limits are designed to provide reasonable protection against harmful interference in a residential installation.

This product generates, uses and can radiate radio frequency energy, and if not installed and used in accordance with the instructions, may cause harmful interference to radio communications. However, there is no guarantee that interference will not occur in a particular installation. If this product does cause harmful interference to radio or television reception, which can be determined by turning the product off and on, the user is encouraged to try to correct the interference by one or more of the following measures.

- Reorient or relocate the receiving antenna.
- Increase the distance between the product and receiver.
- Connect the product to an outlet on a circuit different from that to which the receiver is connected.
- Consult the dealer or an experienced radio/TV technician for assistance.

Manufacturer: Shanghaimuxinmuyeyouxiangongsi

Address: Shuangchenglu 803nong11hao1602A-1609shi, baoshanqu, shanghai 200000 CN.

Imported to AUS: SIHAO PTY LTD. 1 ROKEVA STREETEASTWOOD NSW 2122 Australia

Imported to USA: Sanven Technology Ltd. Suite 250, 9166 Anaheim Place, Rancho Cucamonga, CA 91730

EC	REP
-----------	------------

E-CrossStu GmbH
Mainzer Landstr.69, 60329 Frankfurt am Main.

UK	REP
-----------	------------

YH CONSULTING LIMITED.
C/O YH Consulting Limited Office 147, Centurion House, London Road, Staines-upon-Thames, Surrey, TW18 4AX

VEVOR[®]

TOUGH TOOLS, HALF PRICE

Technical Support and E-Warranty Certificate

www.vevor.com/support