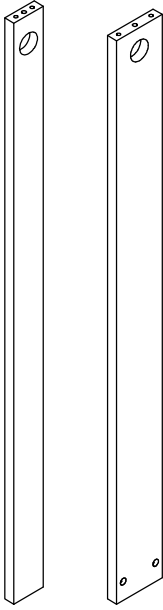
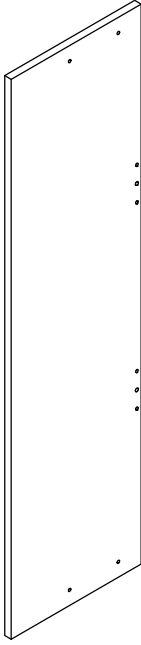


Ax2



Bx4

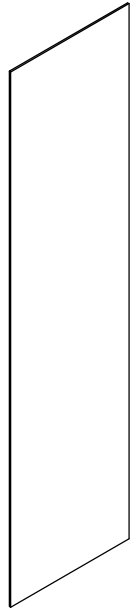
Cx4



Dx4



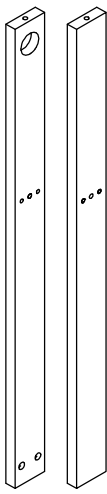
Ex4



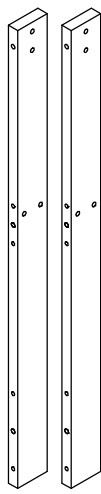
Fx8



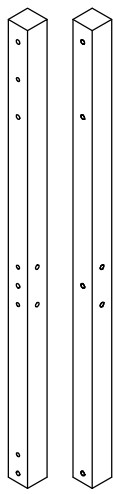
Gx26



Hx2



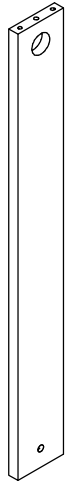
lx1



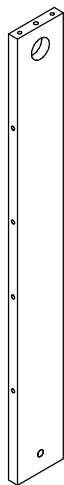
Jx2



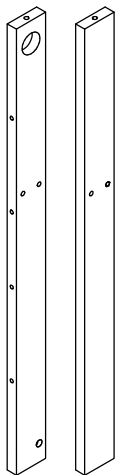
Kx2



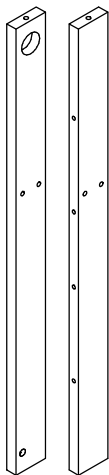
Lx2



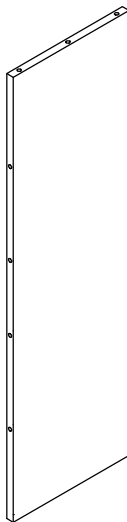
Mx2



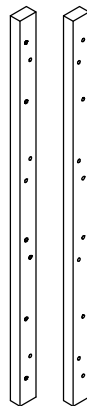
Nx2



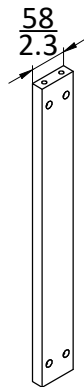
Ox2



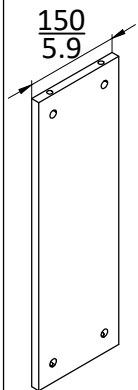
Px2



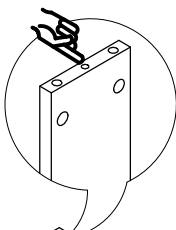
Qx6



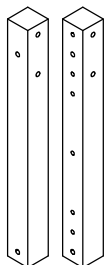
Rx2



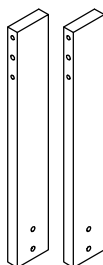
Sx8



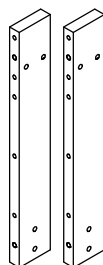
Tx8



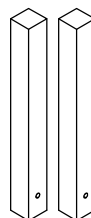
Ux2



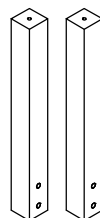
Vx2



Wx1



Xx1



Yx2



Zx40



AAx64



ABx1



M7x $\frac{60}{2.4}$



ADx20



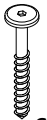
M3.5x $\frac{28}{1.1}$



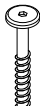
AFx20



AGx20



M6x $\frac{60}{2.4}$



M6x $\frac{85}{3.3}$



M3.5x $\frac{12}{0.5}$



M3.5x $\frac{30}{1.2}$



M4.5x $\frac{30}{1.2}$



AMx24



ANx88



AOx36



M6x $\frac{120}{4.7}$

APx2



M6x $\frac{135}{5.3}$

AQx8



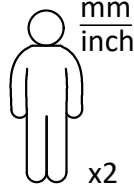
ARx16

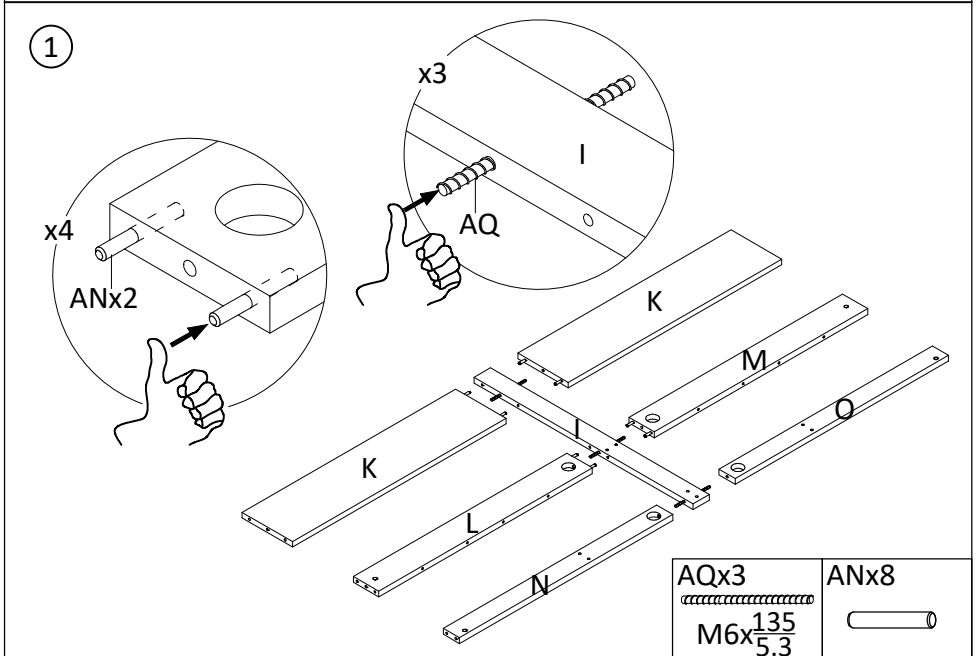
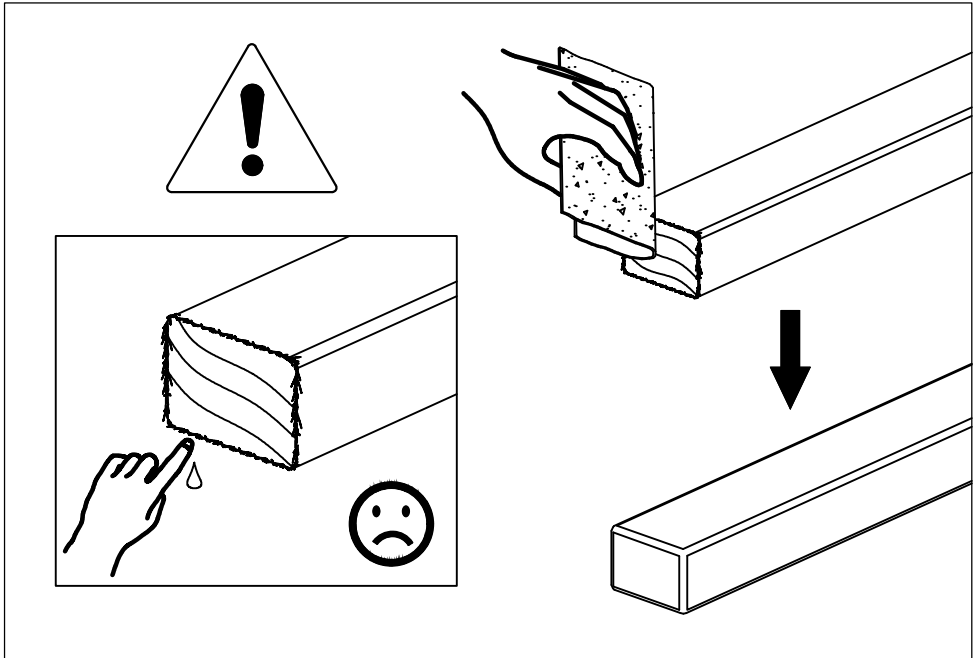


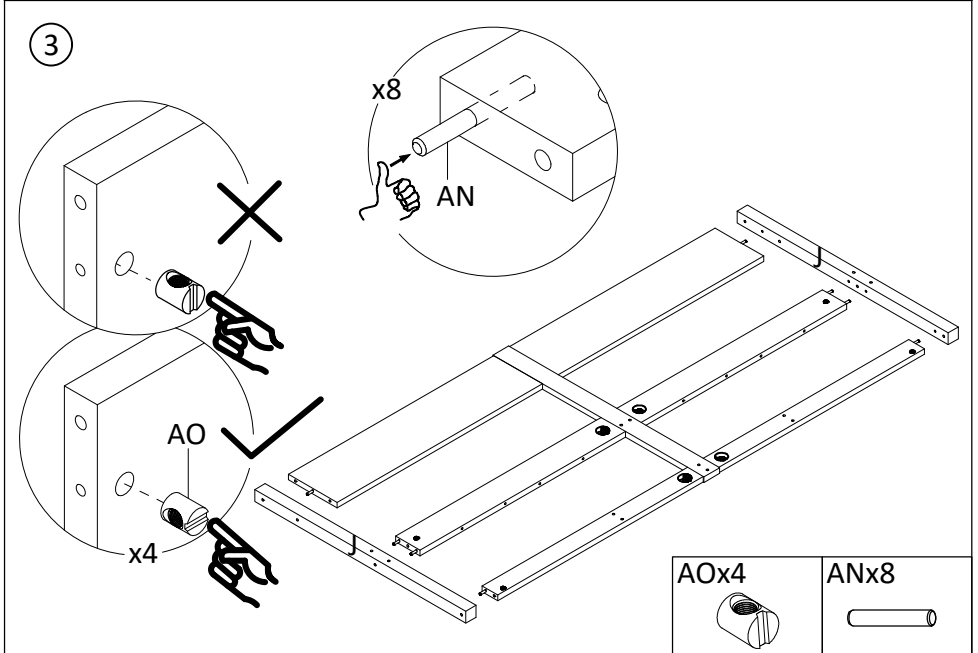
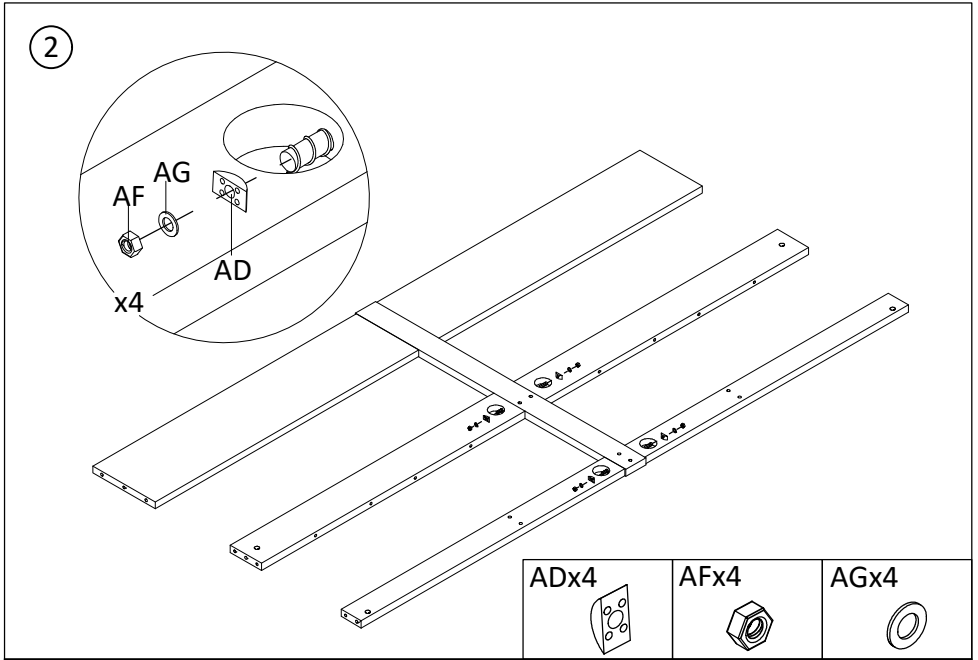
ASx64

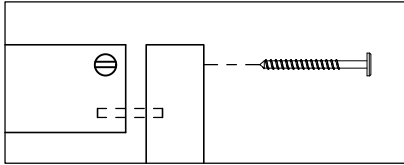


ATx24

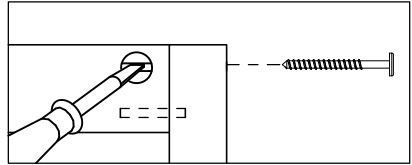






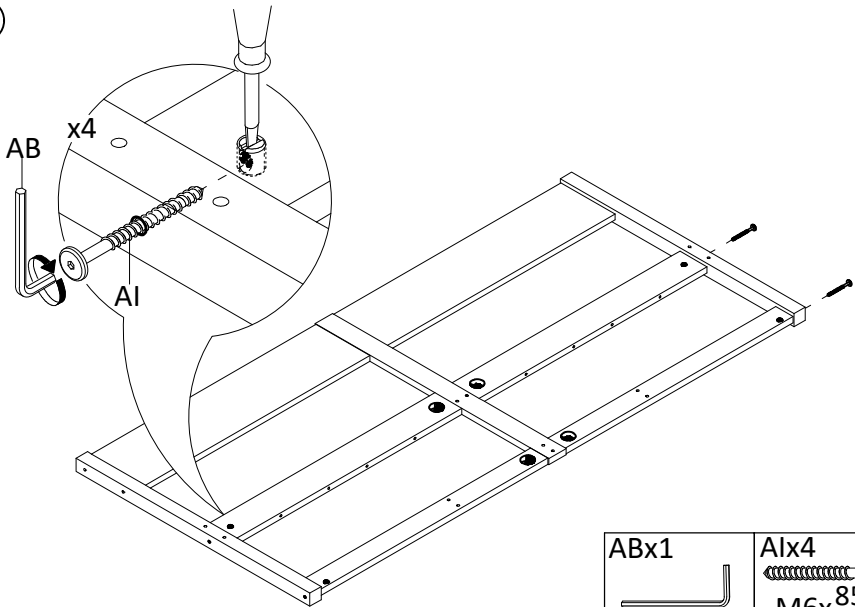


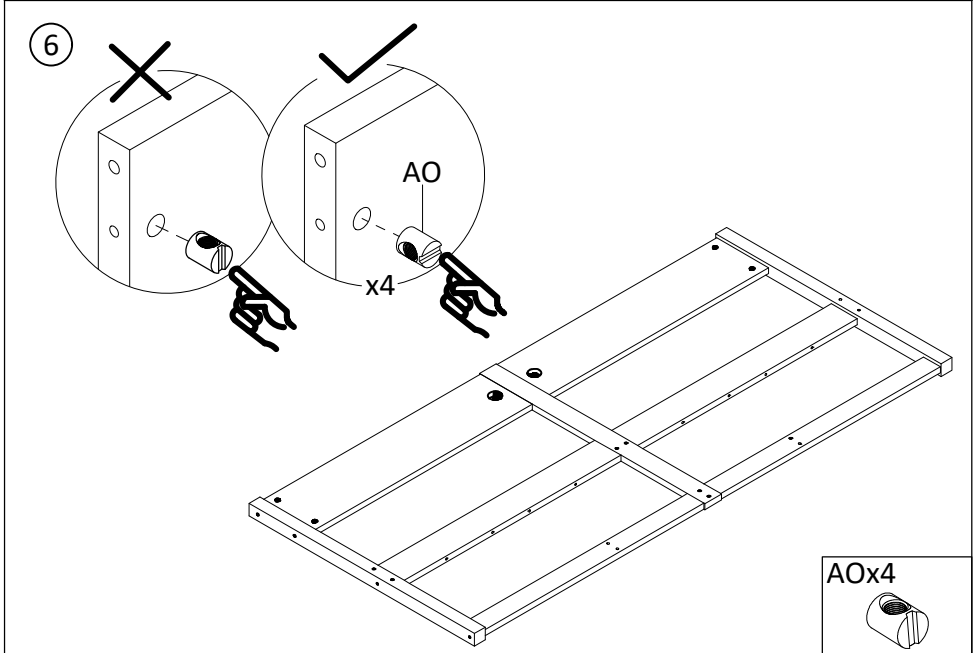
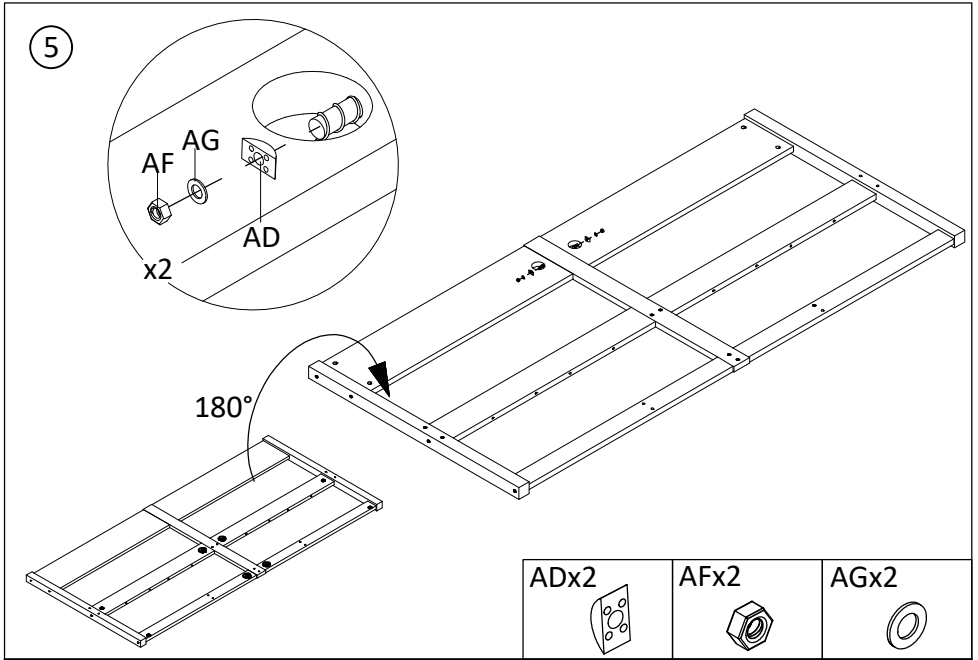
✗

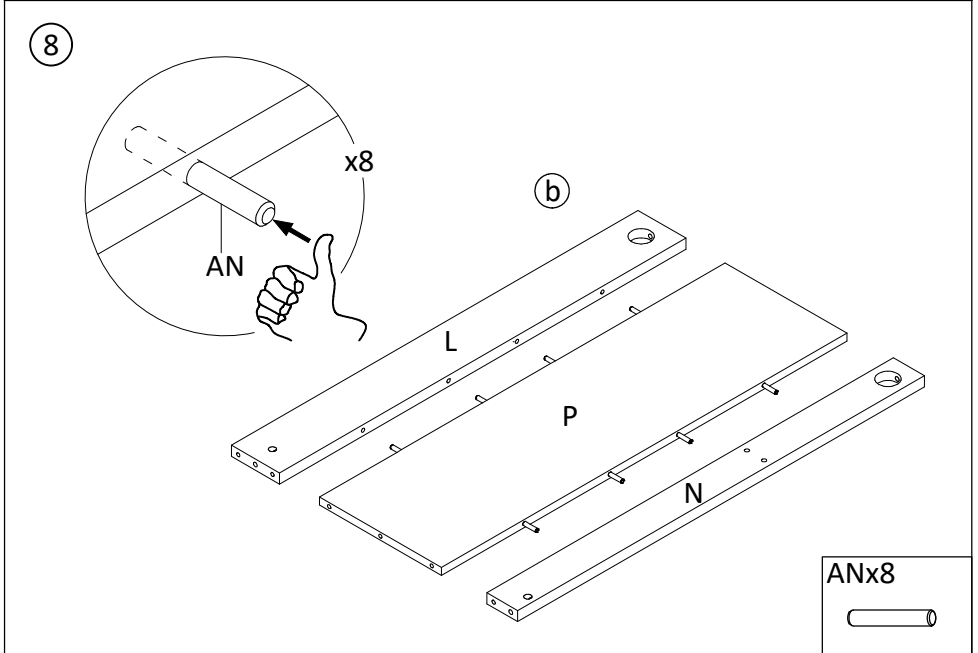
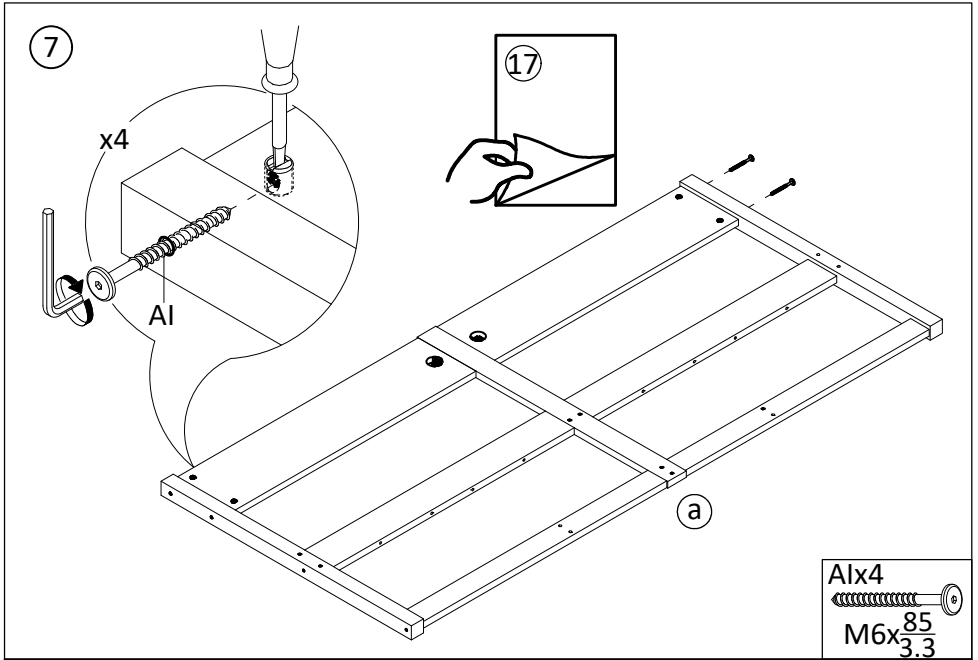


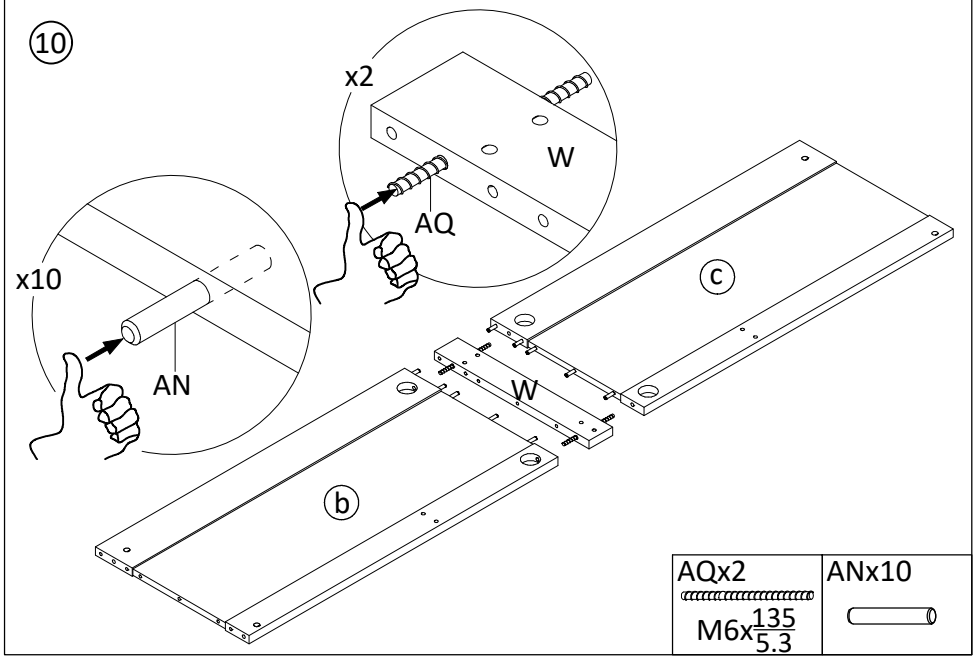
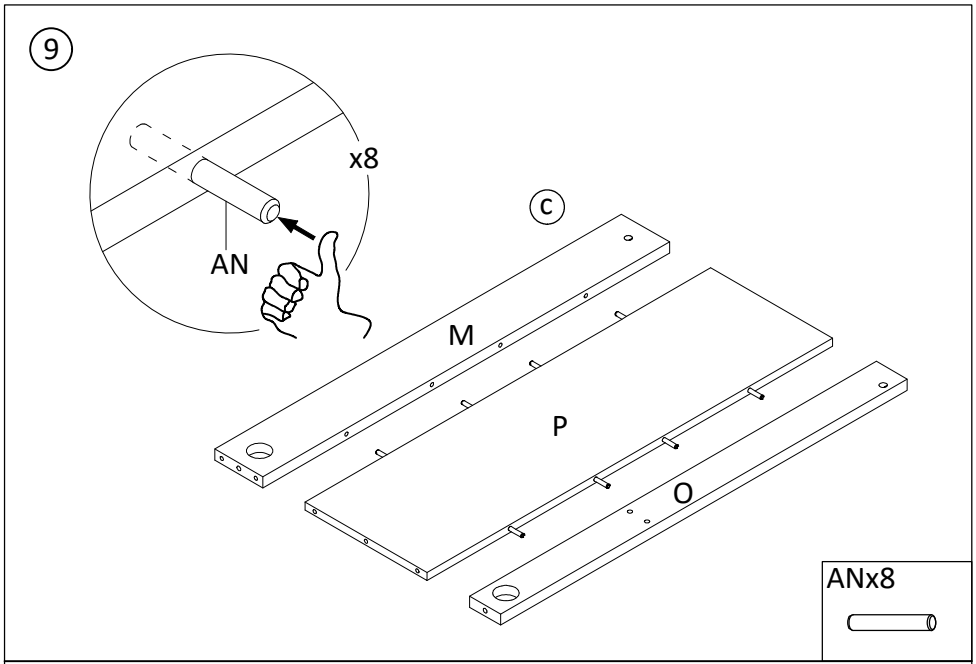
✓

④

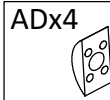
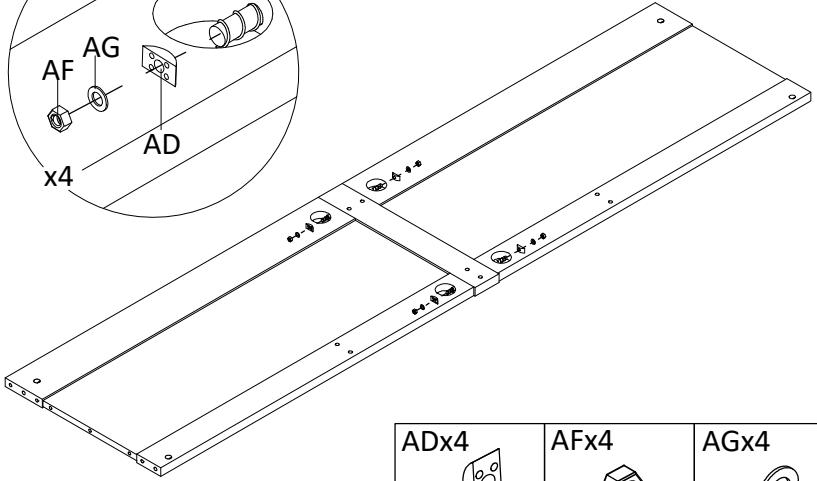
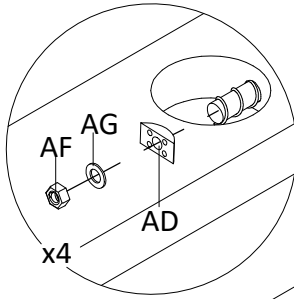




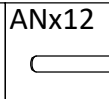
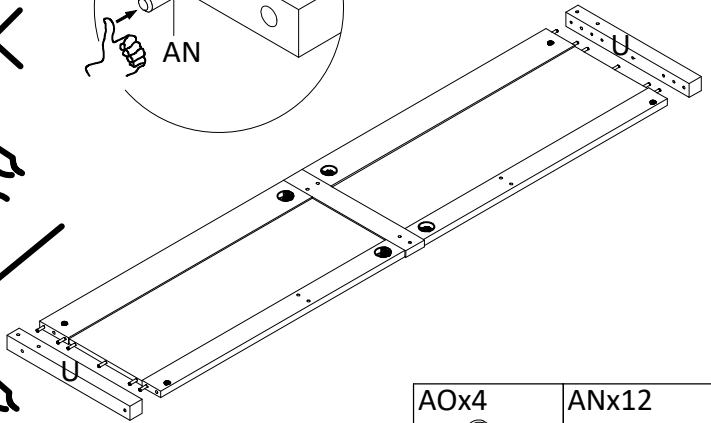
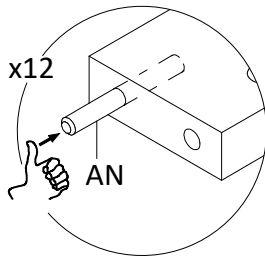
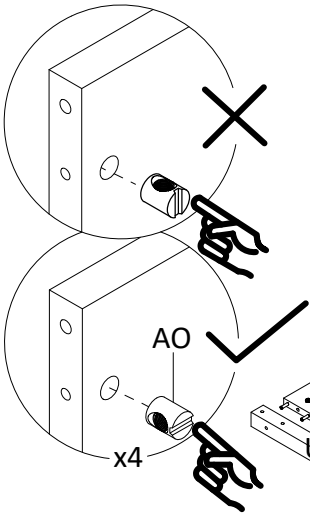


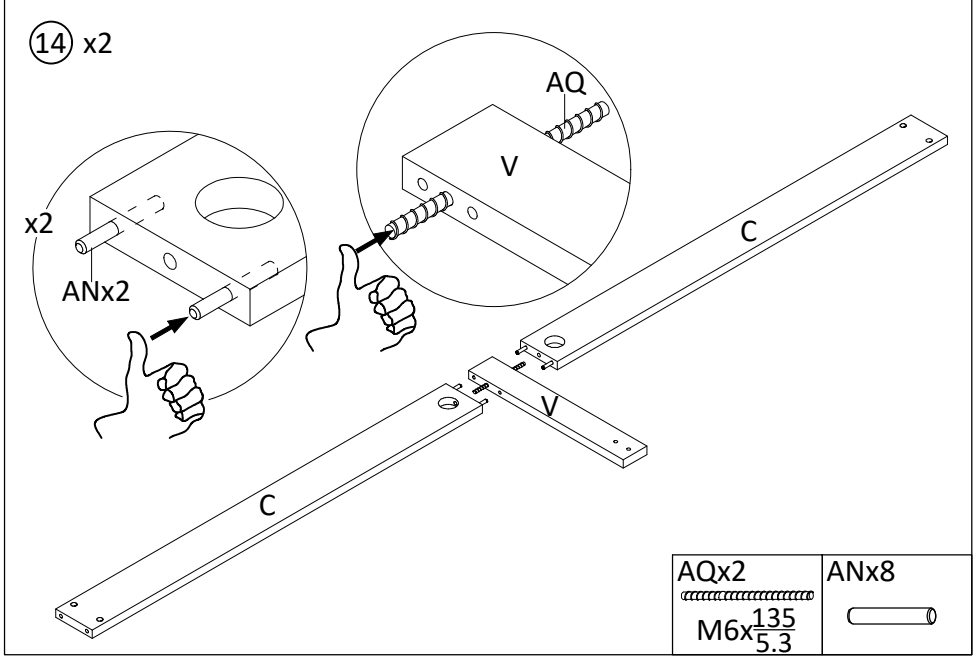
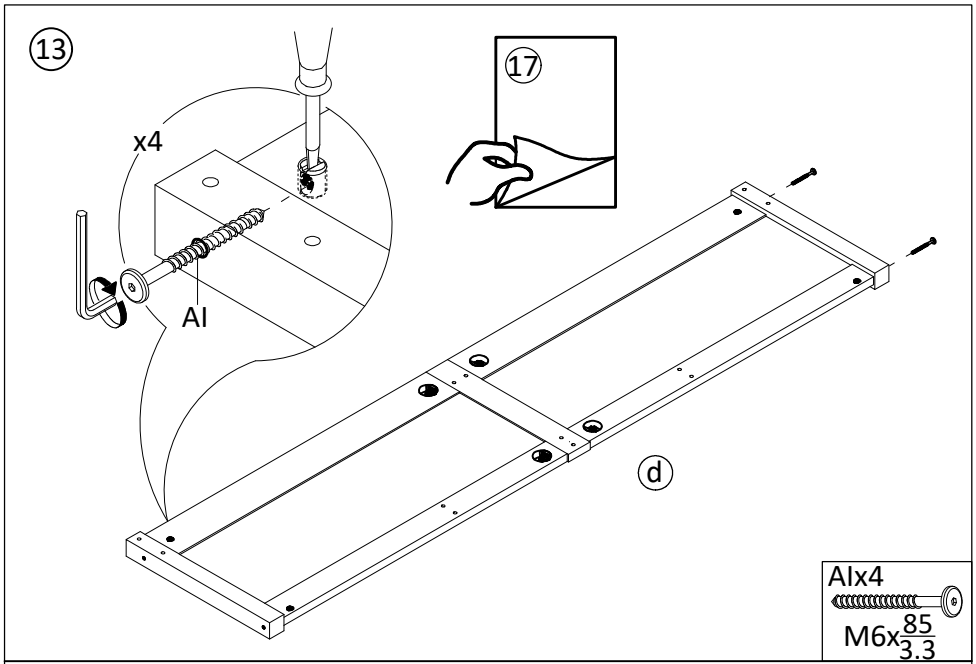


11

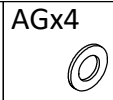
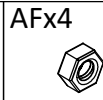
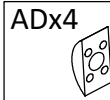
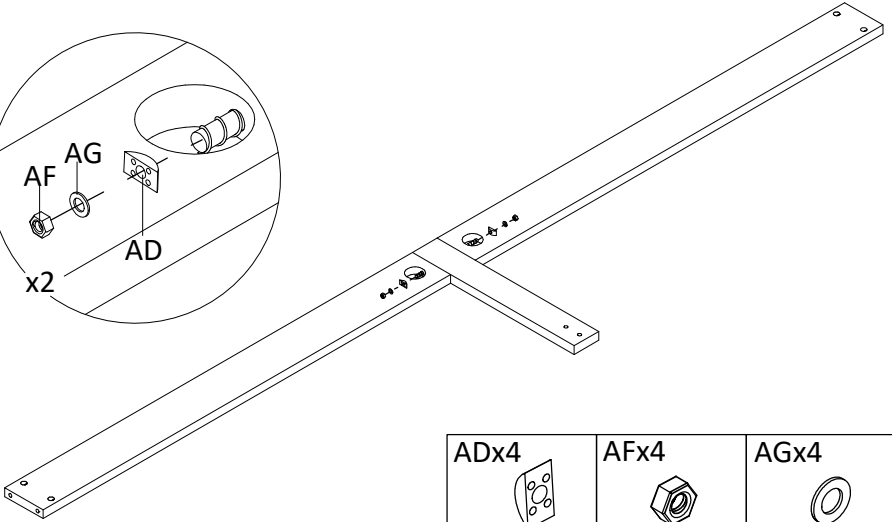
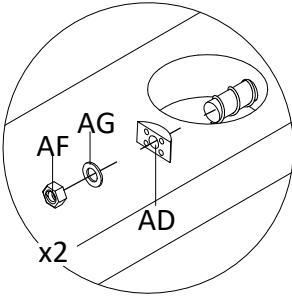


12

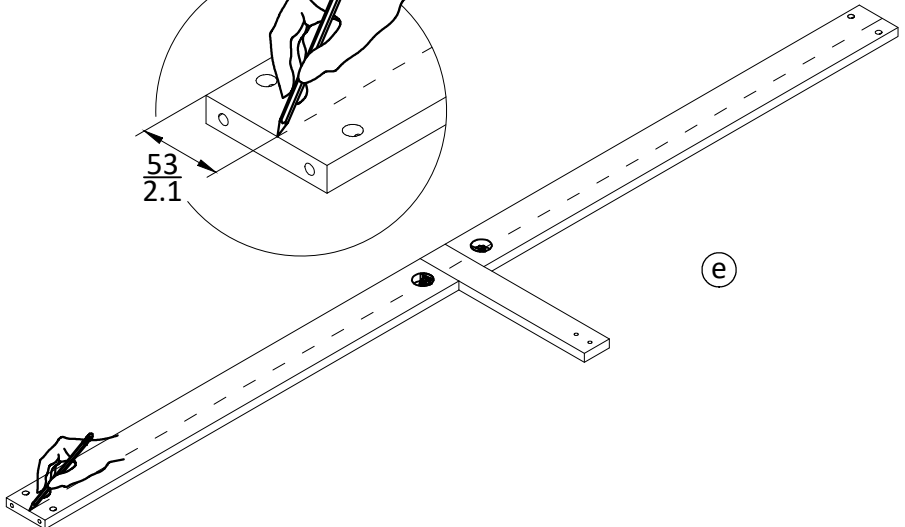
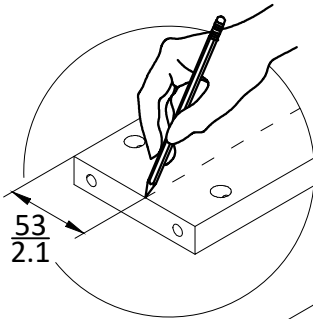




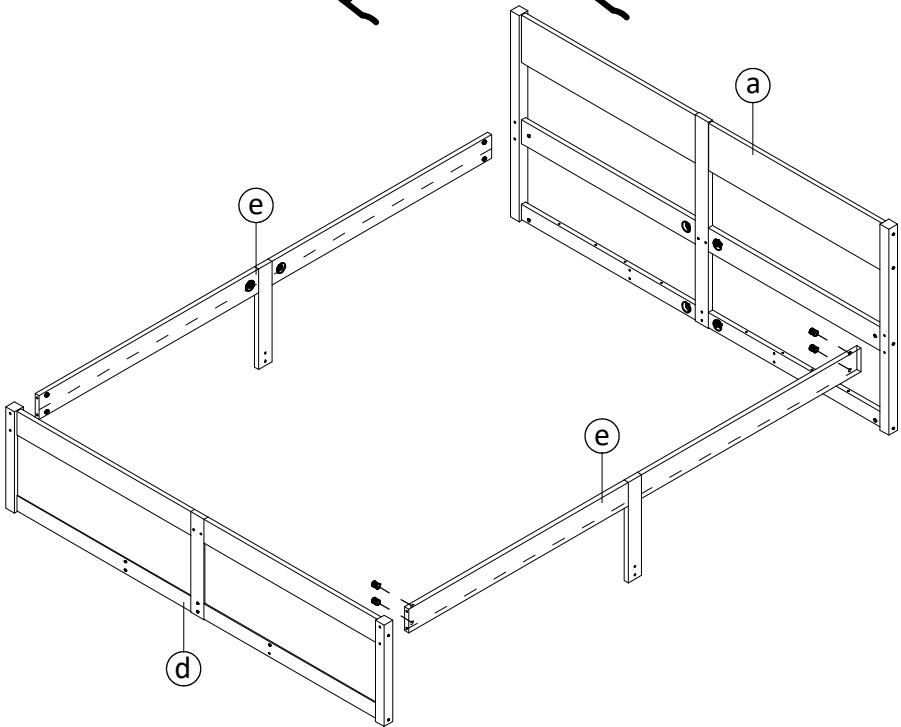
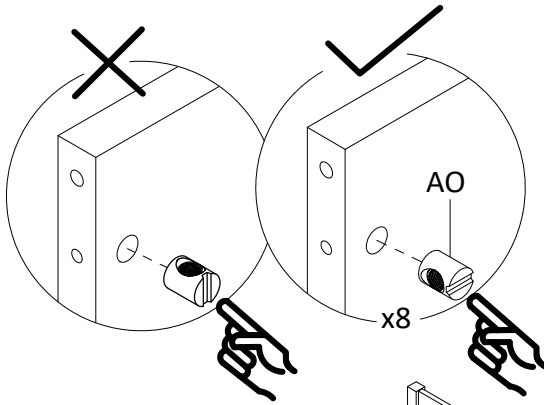
15 x2



16 x2



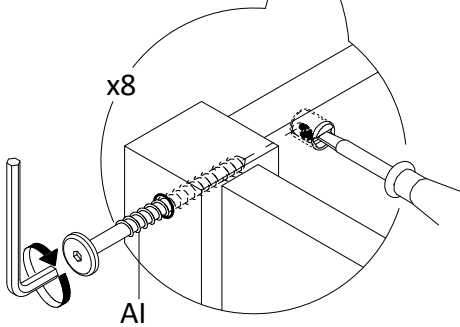
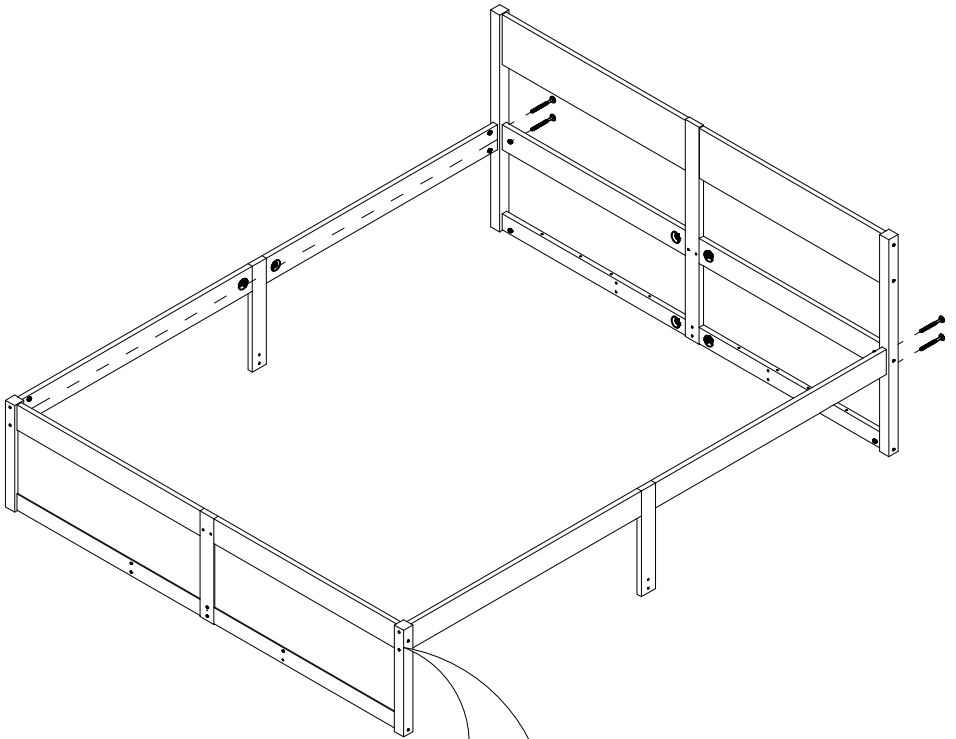
17

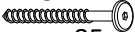


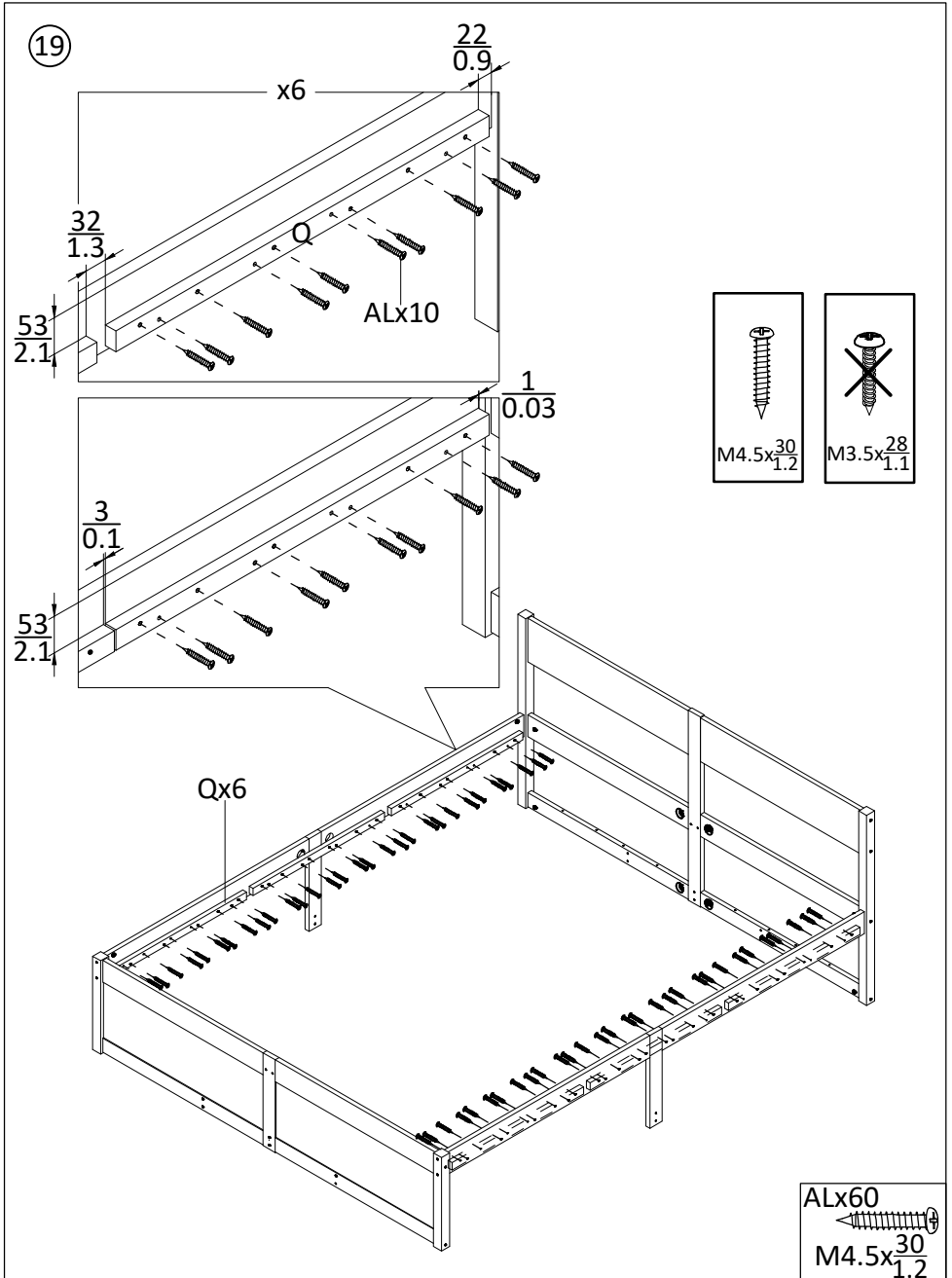
AOx8



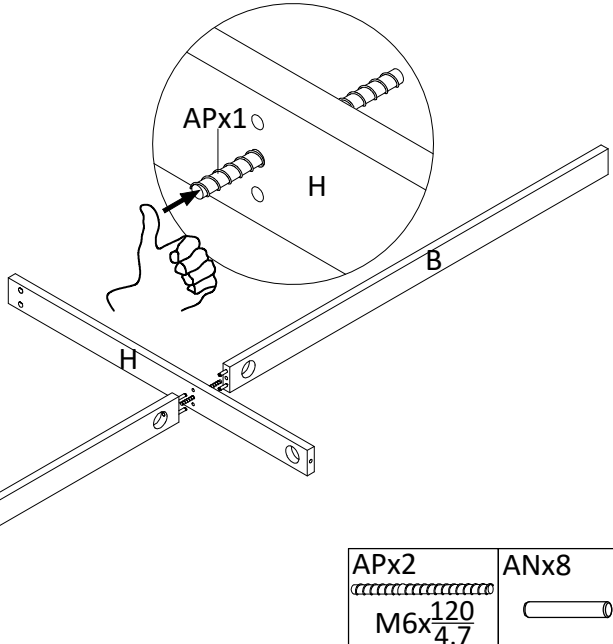
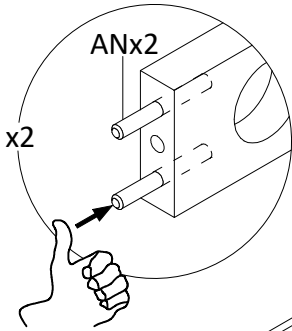
18



AIx8  
  
M6x $\frac{85}{3.3}$



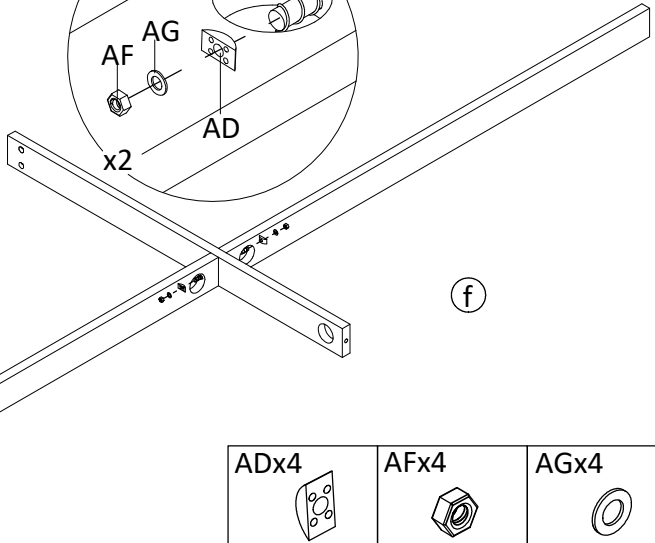
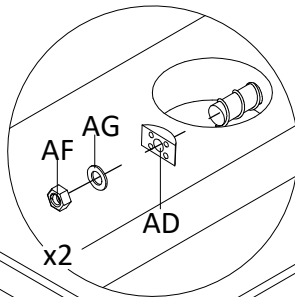
20 x2



APx2  
M6x $\frac{120}{4.7}$

ANx8

21 x2



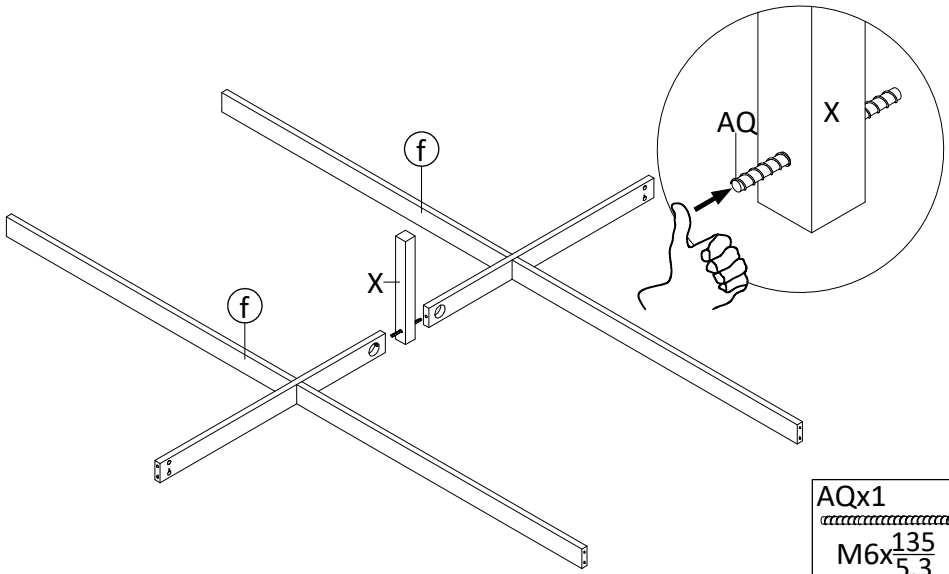
f

ADx4

AFx4

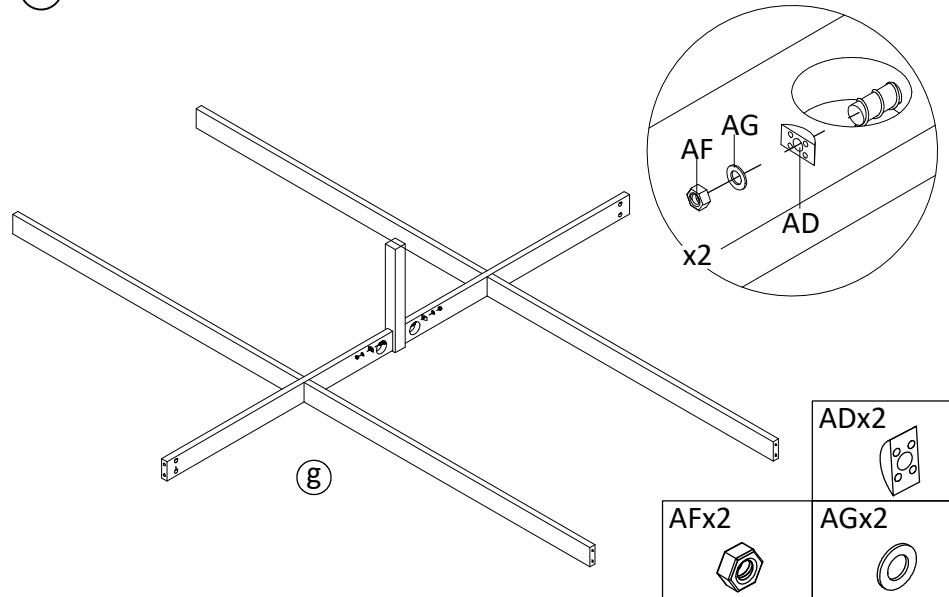
AGx4

22



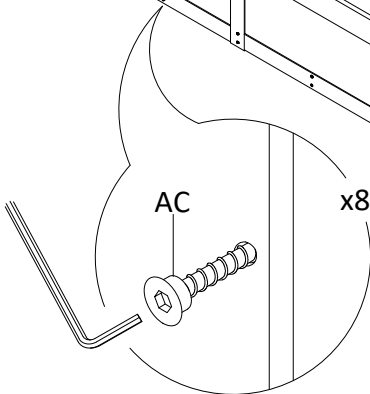
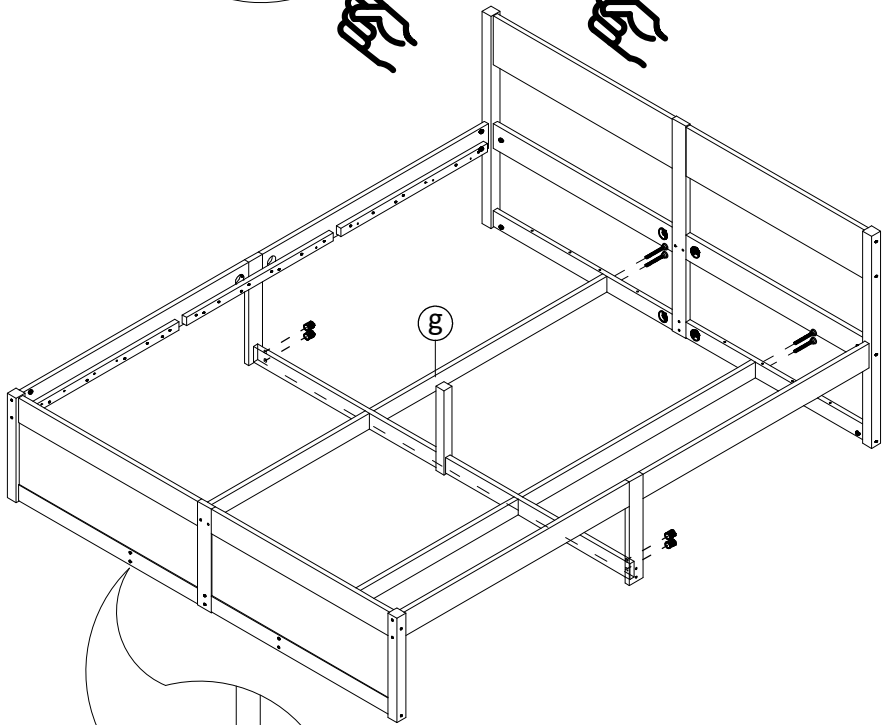
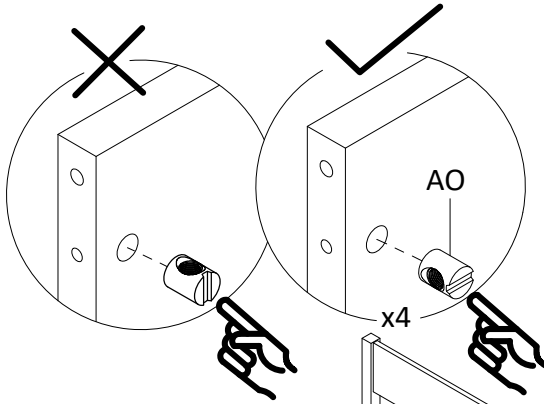
AQx1  
M6x $\frac{135}{5.3}$

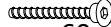
23



ADx2  
AFx2  
AGx2

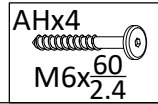
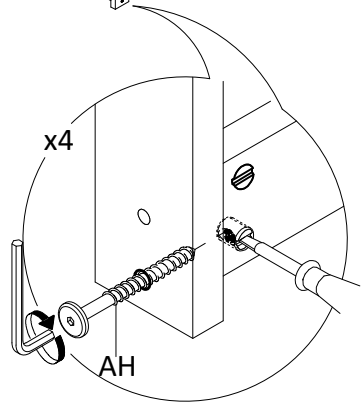
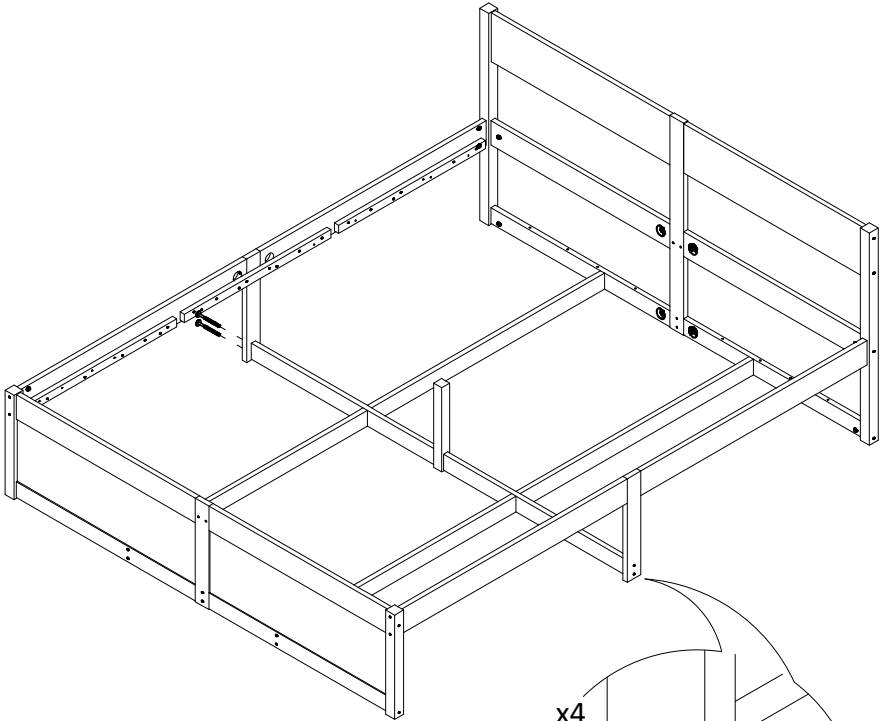
24



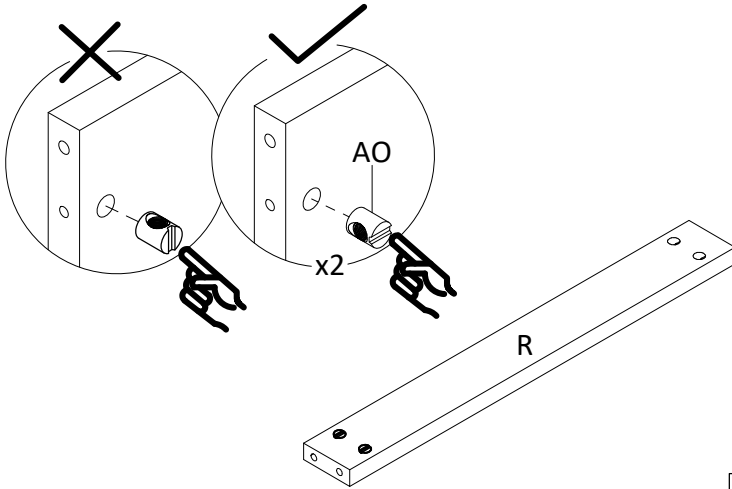
ACx8  
  
M7x60  
2.4

AOx4  


25



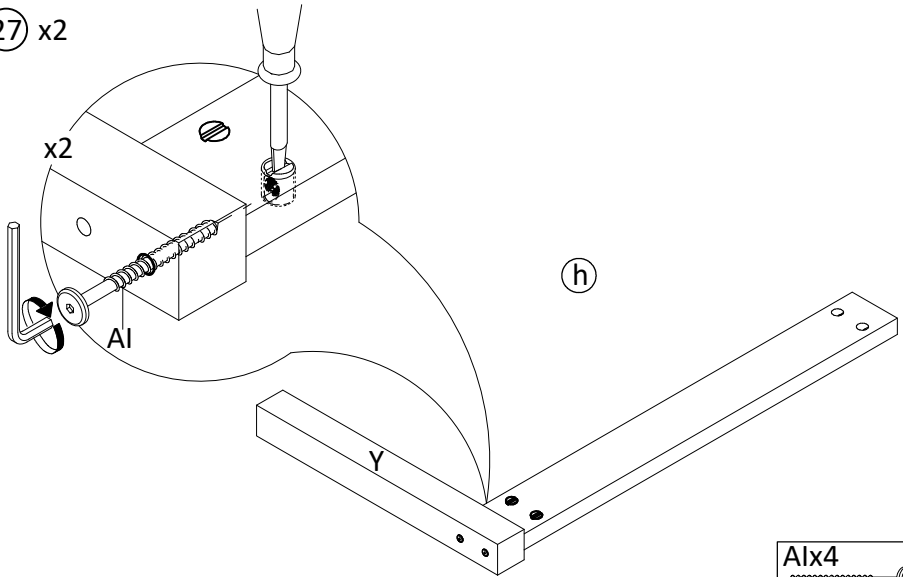
26 x2



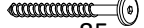
AOx4



27 x2

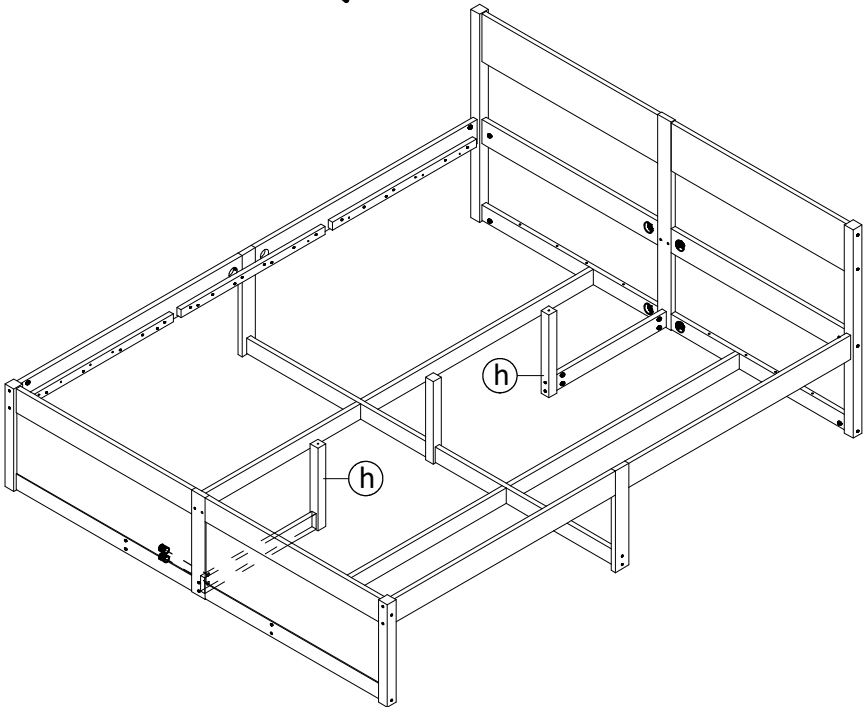
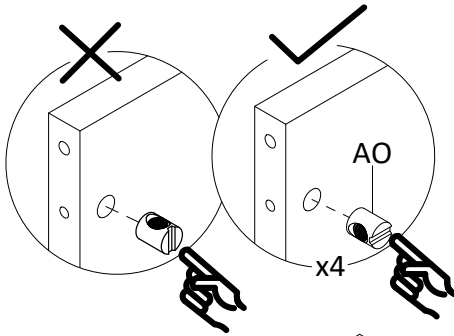


AIx4



M6x $\frac{85}{3.3}$

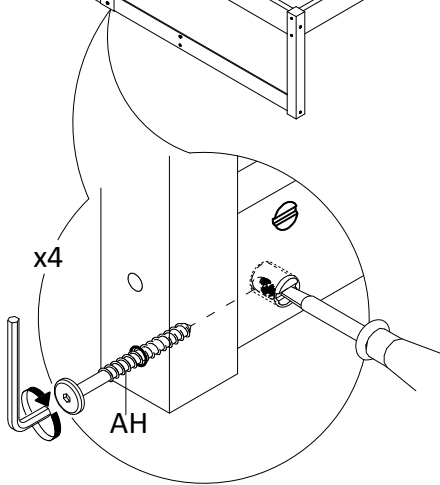
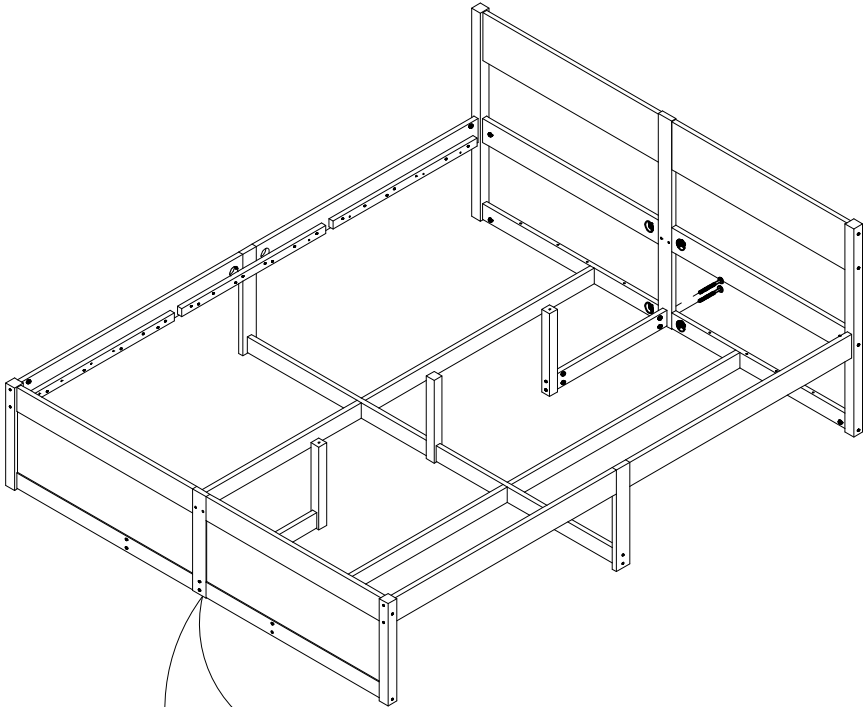
28

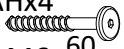


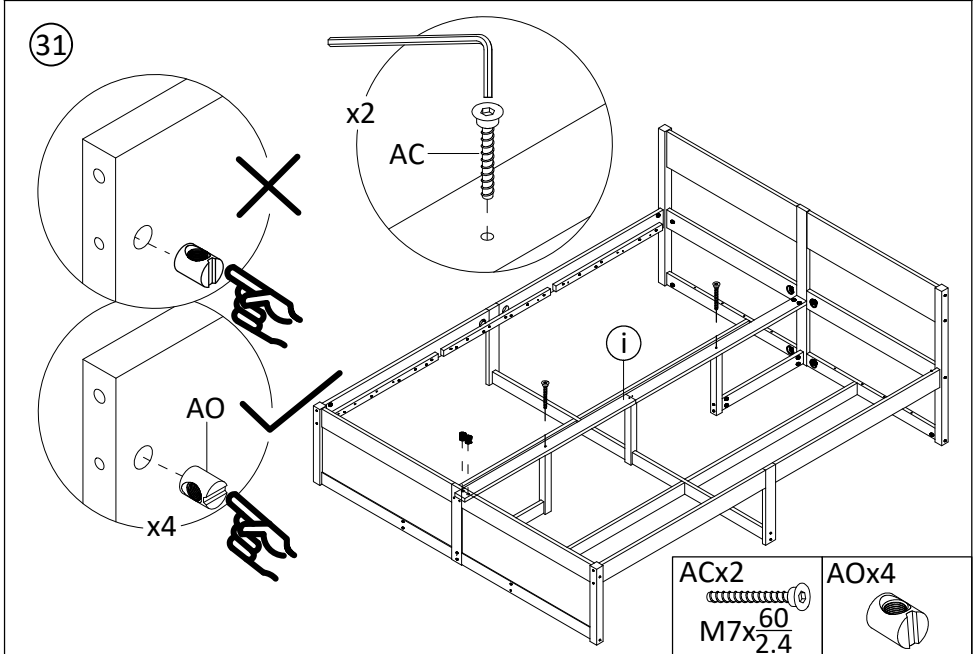
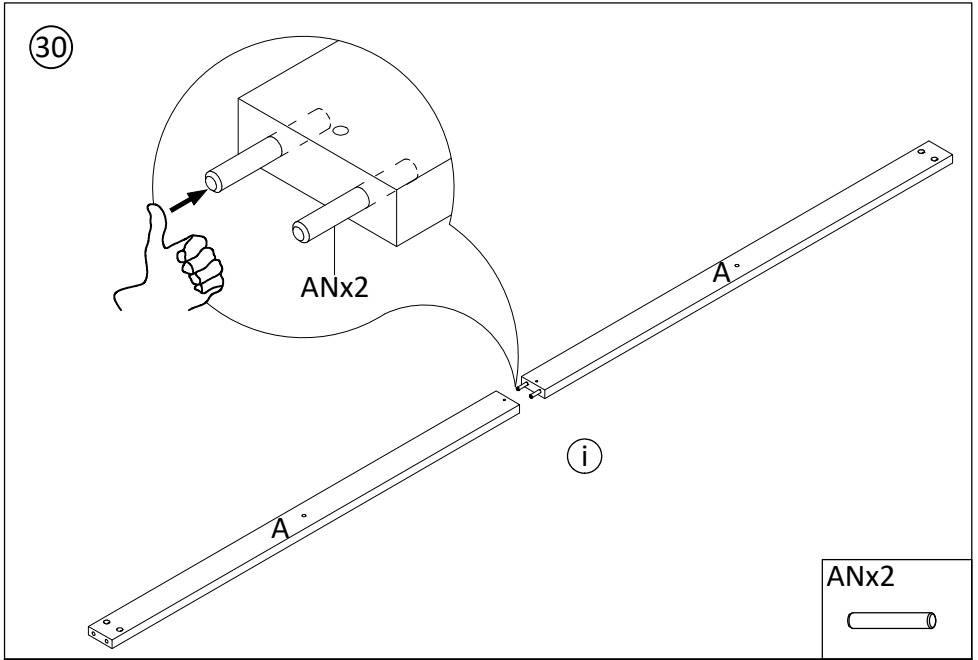
AOx4



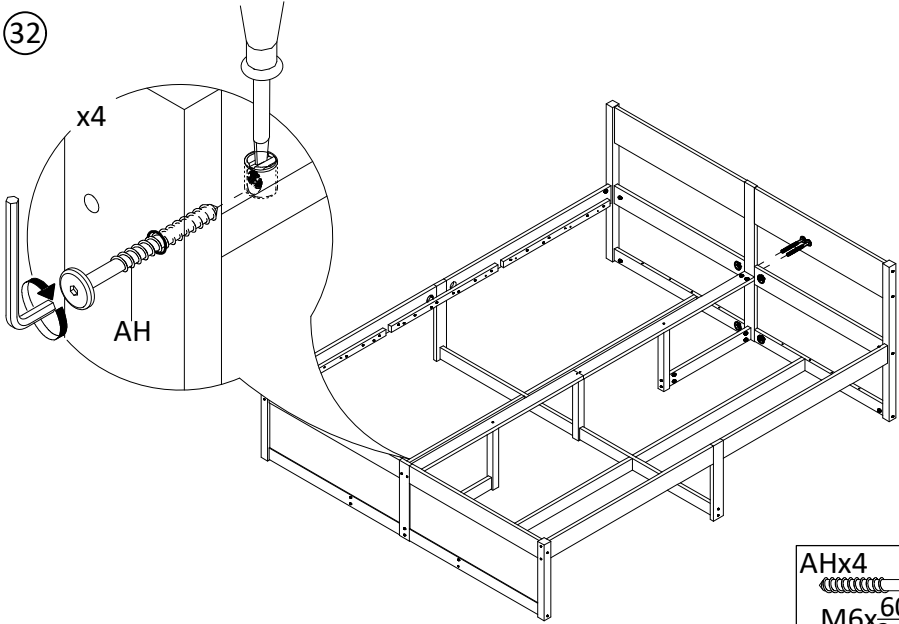
29



AHx4  
  
M6x<sup>60</sup>/<sub>2.4</sub>



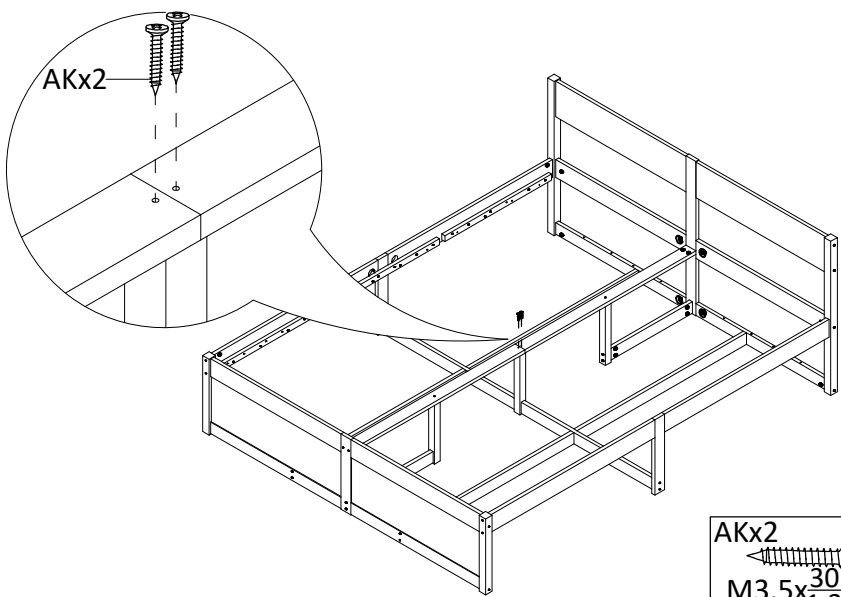
32



x4  
AH

AHx4  
M6x $\frac{60}{2.4}$

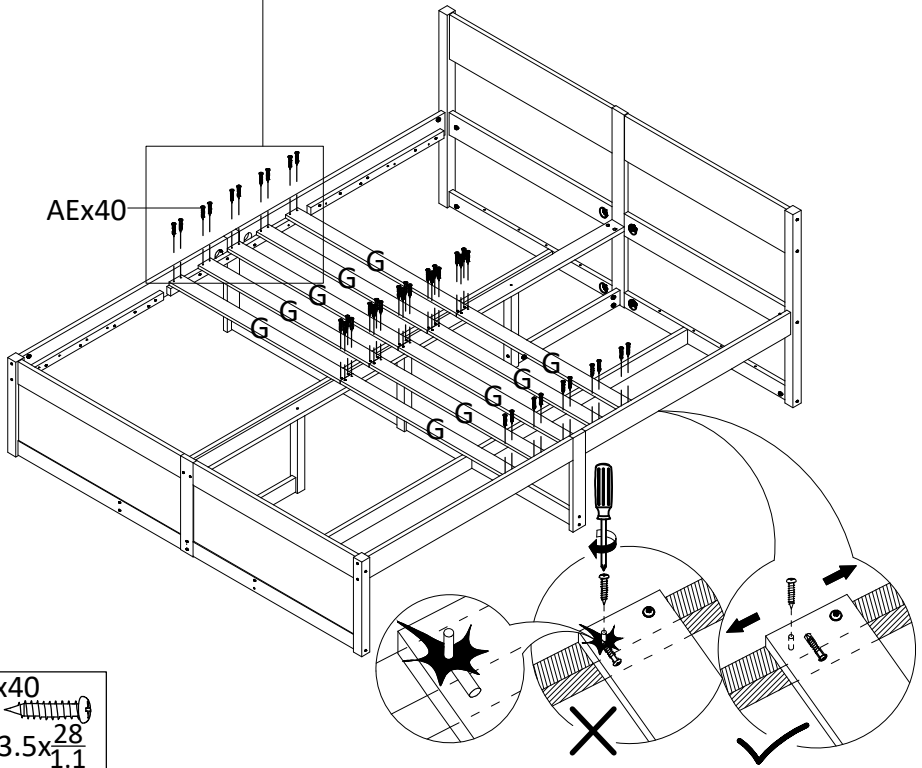
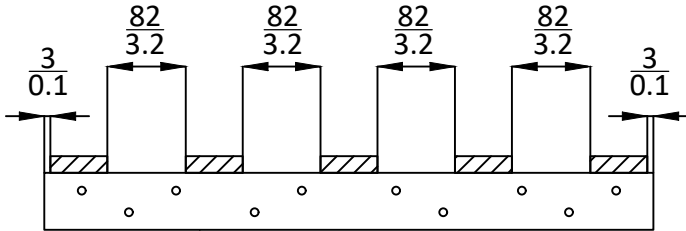
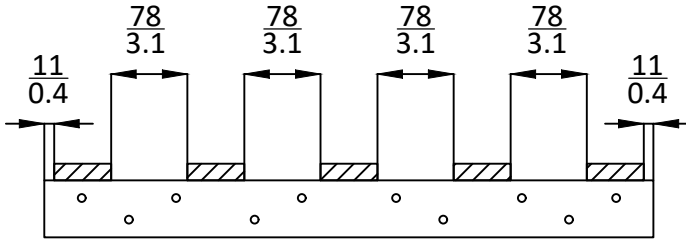
33



AKx2

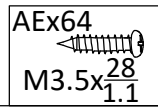
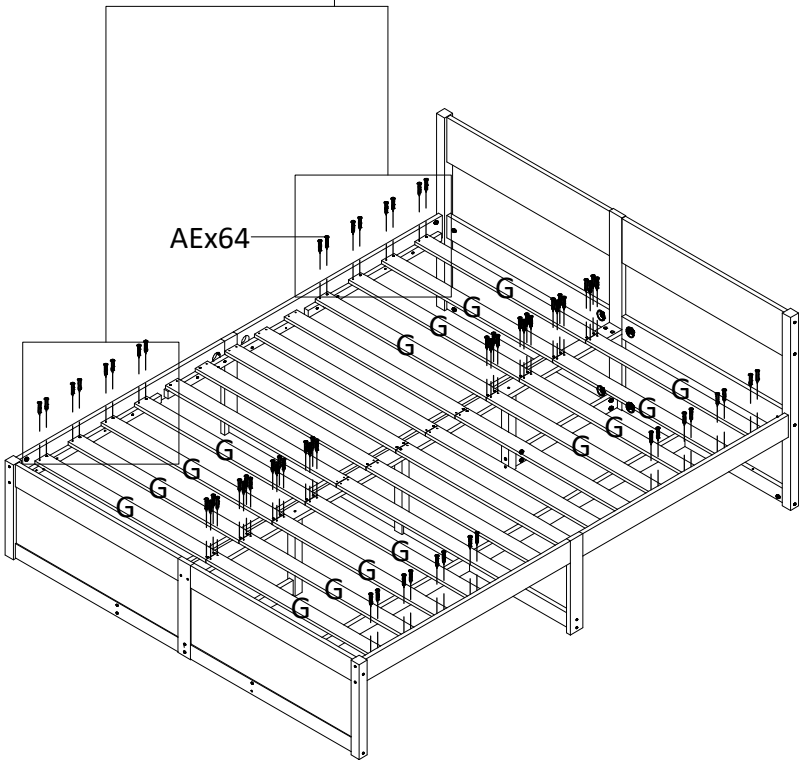
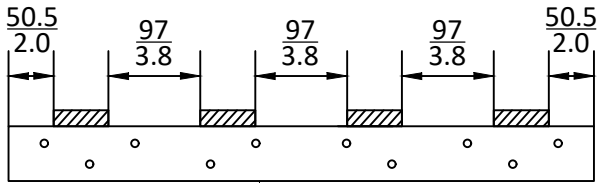
AKx2  
M3.5x $\frac{30}{1.2}$

34

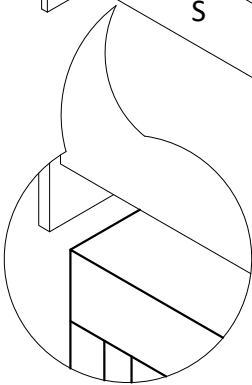
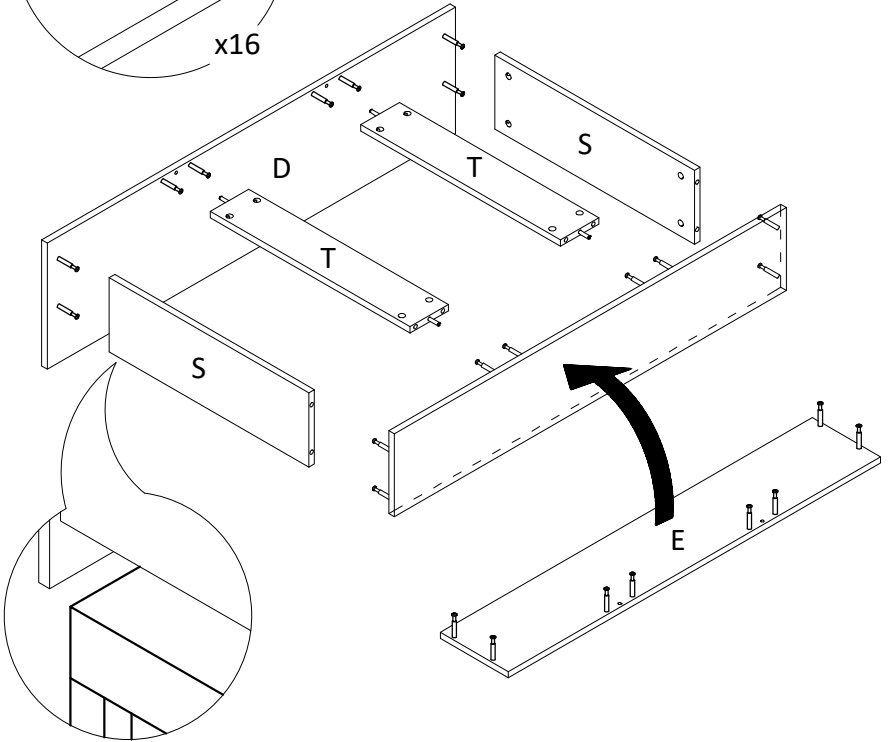
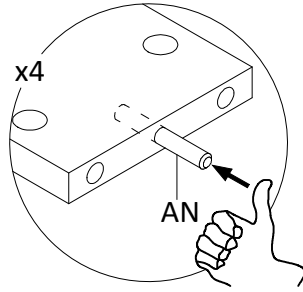
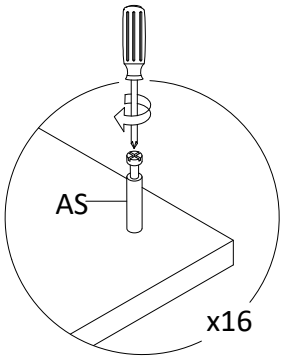


AEx40  
M3.5x $\frac{28}{1.1}$

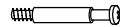
35



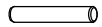
36 x4



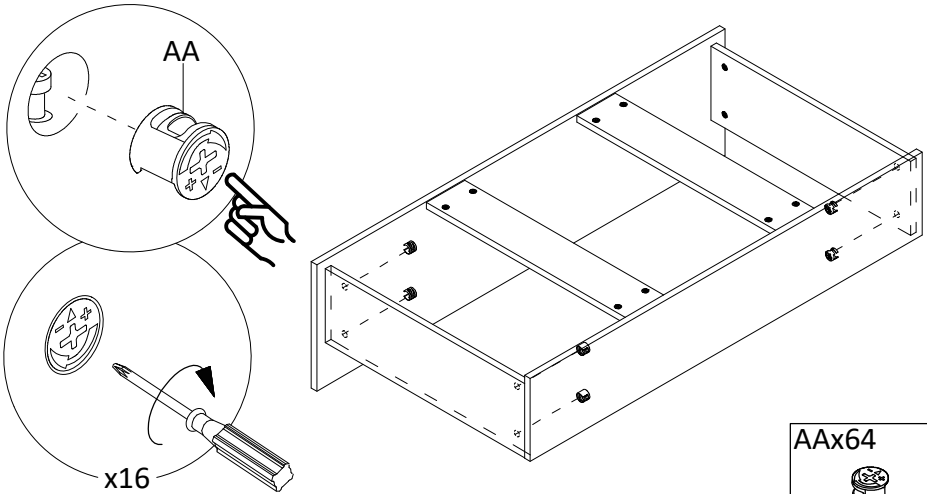
ASx64



ANx16



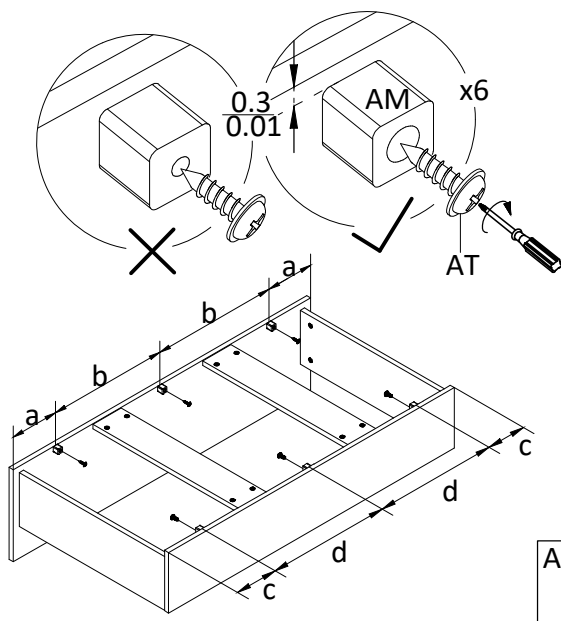
37 x4



AAx64



38 x4



a	$\frac{205.5}{8.1}$	$\frac{197.5}{7.8}$
b	$\frac{272}{10.7}$	$\frac{255}{10.0}$
c	$\frac{186.5}{7.3}$	$\frac{178.5}{7.0}$
d	$\frac{272}{10.7}$	$\frac{255}{10.0}$

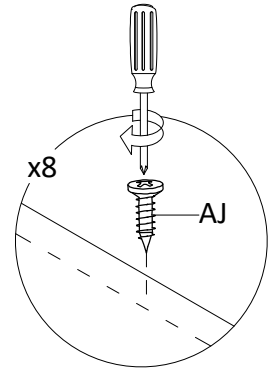
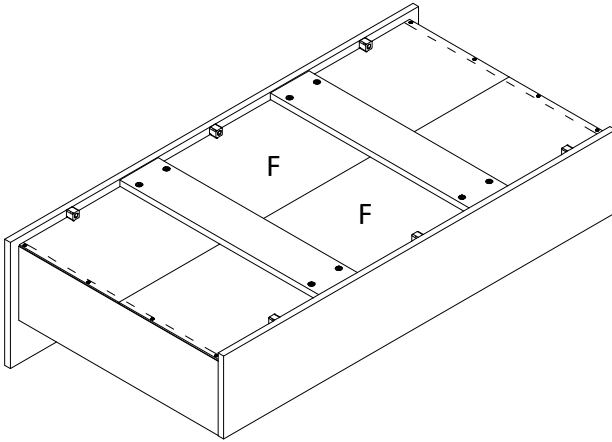
AMx24



ATx24

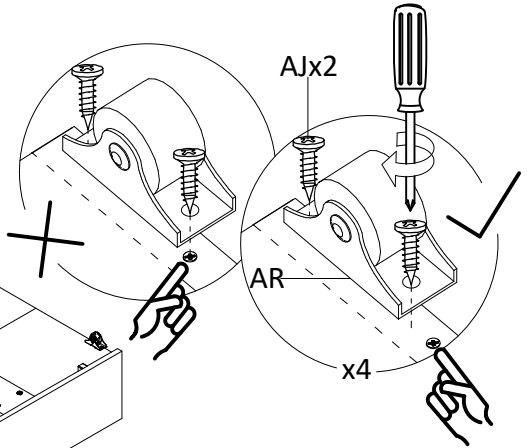
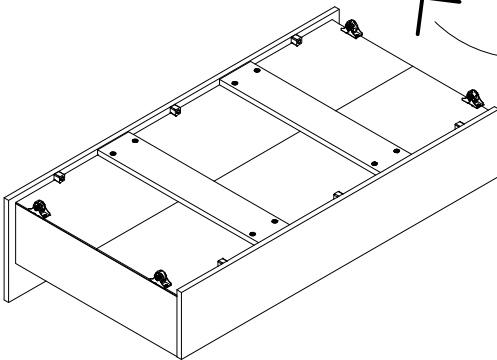


39 x4



AJx32  
M3.5x $\frac{12}{0.5}$

40 x4



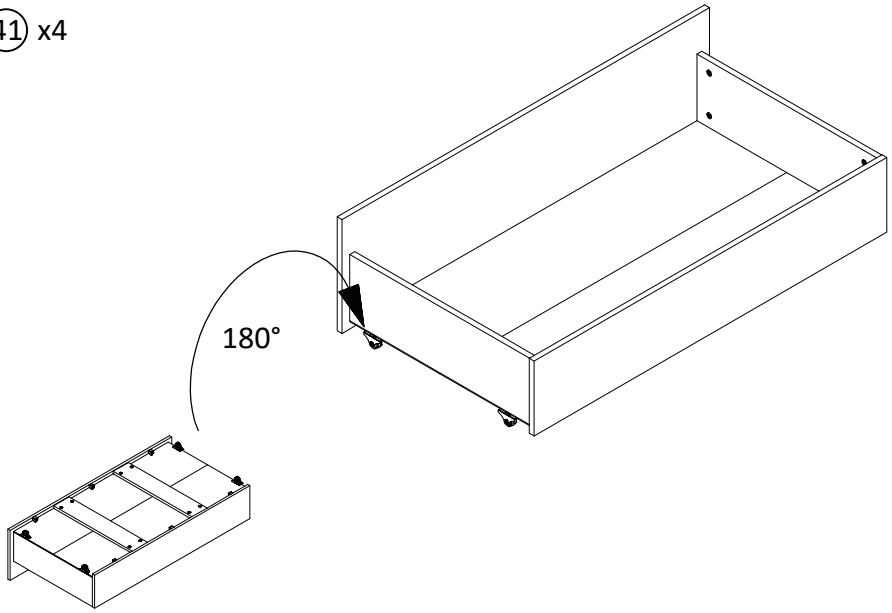
ARx16



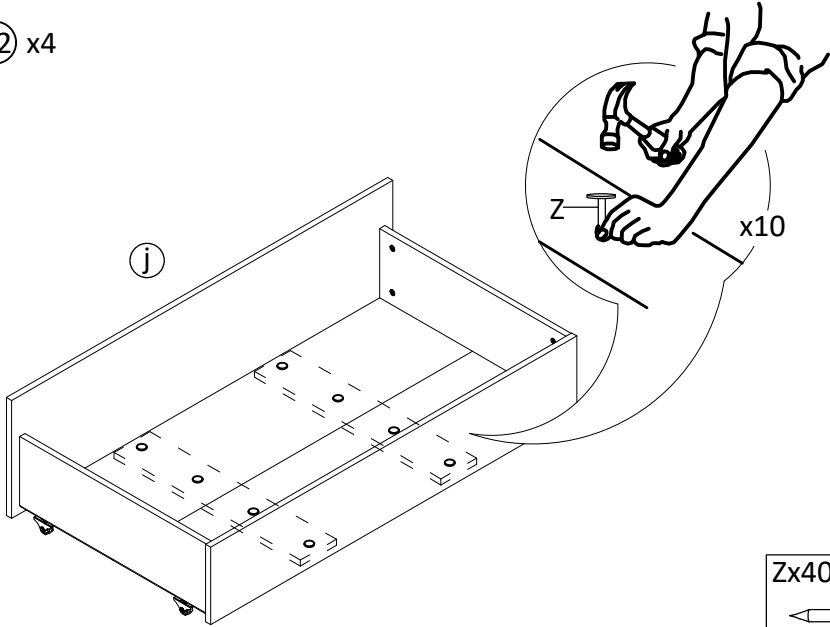
AJx32

M3.5x $\frac{12}{0.5}$

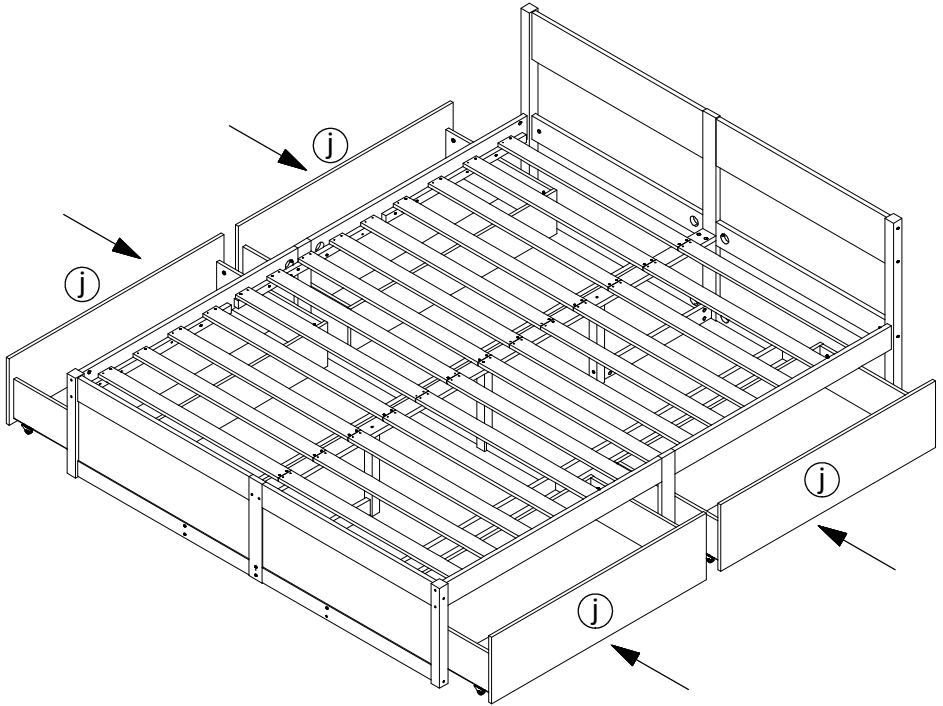
41 x4



42 x4



43



44

