


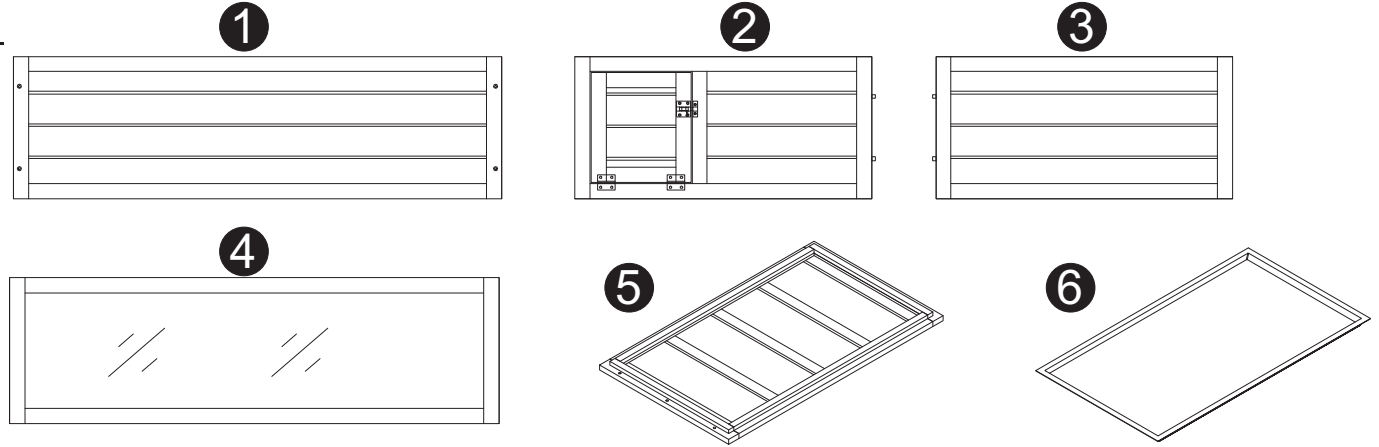


ASSEMBLY INSTRUCTION

DDP-2291

- (A)**  3.5x40=14+1x
(B)  3.0x16=8+1x
(C)  =2x

PARTS



ASSEMBLY

