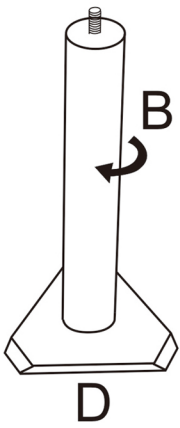
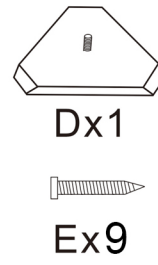
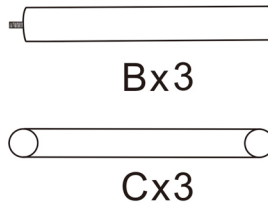


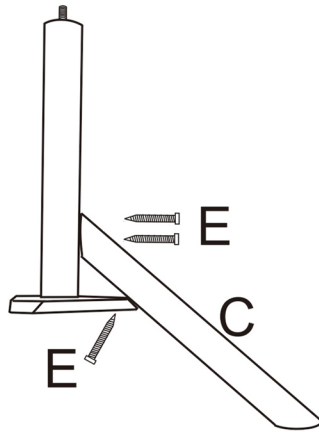
Please read these instructions and warranty information carefully before use and keep them properly for future reference.

OPERATING INSTRUCTIONS

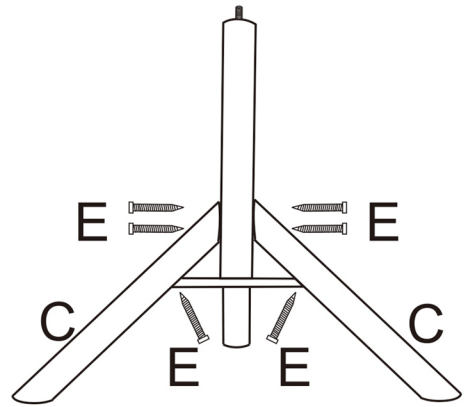
Assembly Instructions



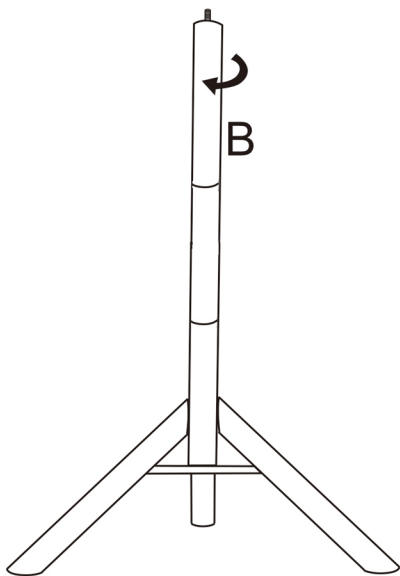
Step1



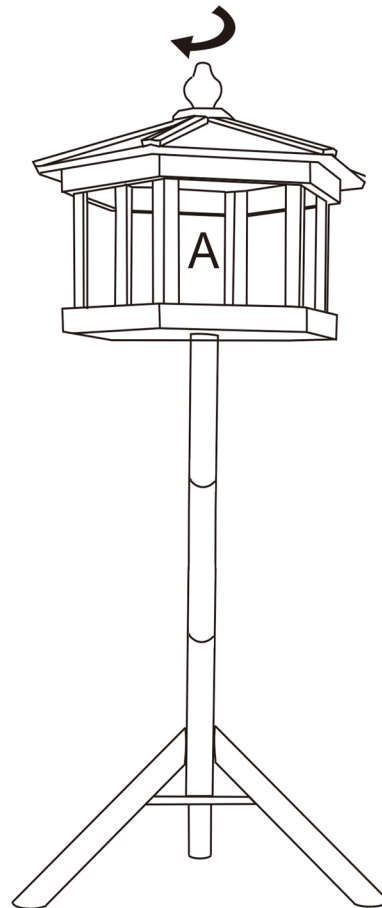
Step2



Step3



Step4



Step5