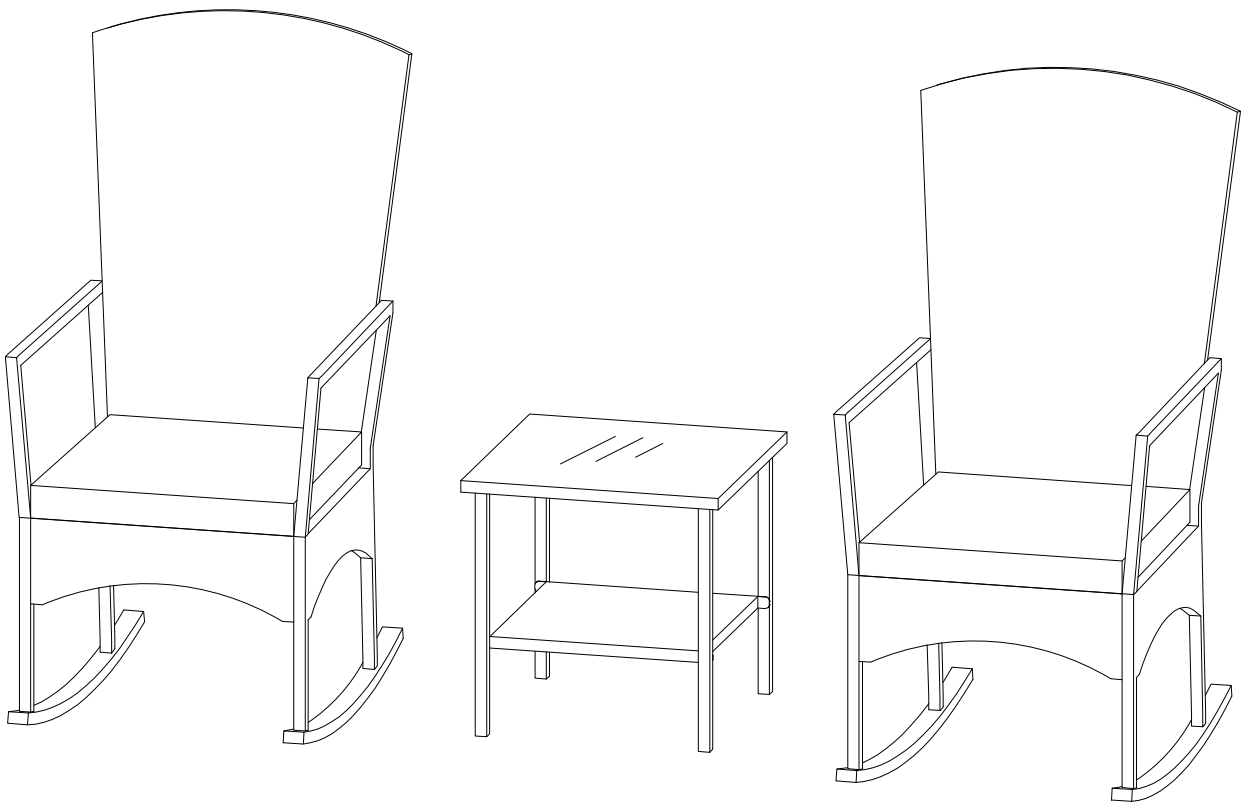
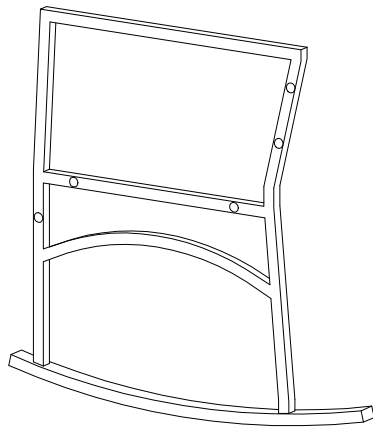


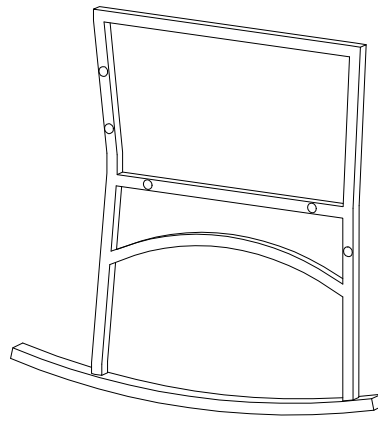
2 Rocking Chairs & Tea Table



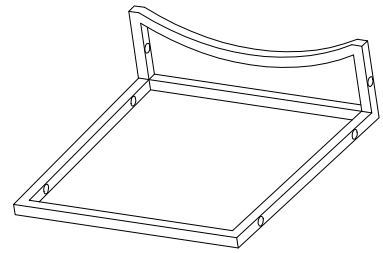
- a. Opening, please check the parts. In case of broken glass, please avoid scratching your fingers! Any defect or missing, contact us in time.
- b. Advisable to assemble on the mat to avoid wear and tear. Avoid all sharp objects touching the product surface. Do not allow the children to play around.
- c. Do not tighten all screws entirely until assemble is completed. Power tools are available, don't over-tighten for strip threads. Any problems assembling, contact us in time!
- d. If the cushion crease, don't worry! Use for some time will recover!



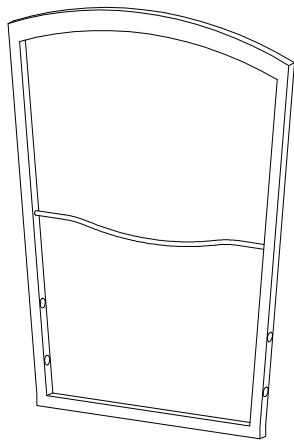
A: right armrest
2 pcs



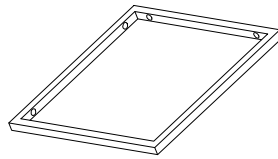
B: left armrest
2 pcs



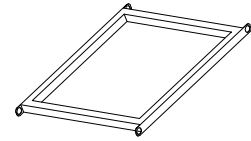
C: seat board
2 pcs



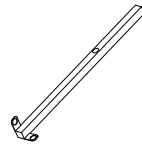
D: backrest
2 pcs



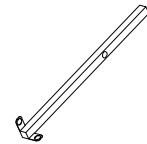
E: table top
1 pcs



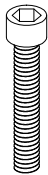
F: table shelf
1 pcs



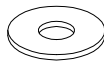
G: table leg1
2 pcs



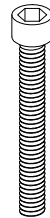
H: table leg2
2 pcs



R: screw M6*30mm
4 pcs



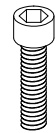
S: shim $\varnothing 16 \times 6.4 \times 1$
32 pcs



U: screw M6*40mm
16 pcs



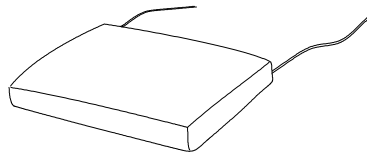
V: screw M6*15mm
4 pcs



W: screw M6*20mm
8 pcs



Inner hexagon spanner
2 pcs



seat cushion
2 pcs

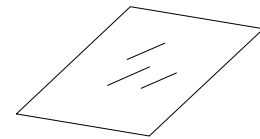


table glass
1 pcs

Step 1

for chair

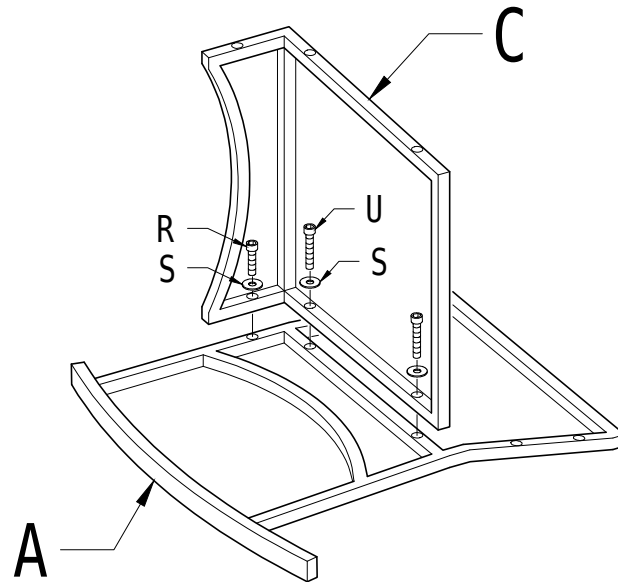
A x 2, C x 2



R: screw M6*30mm
2 pcs

S: shim
ø16*6.4*1 6 pcs

U: screw M6*40mm
4 pcs

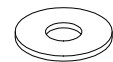


2x

Step 2

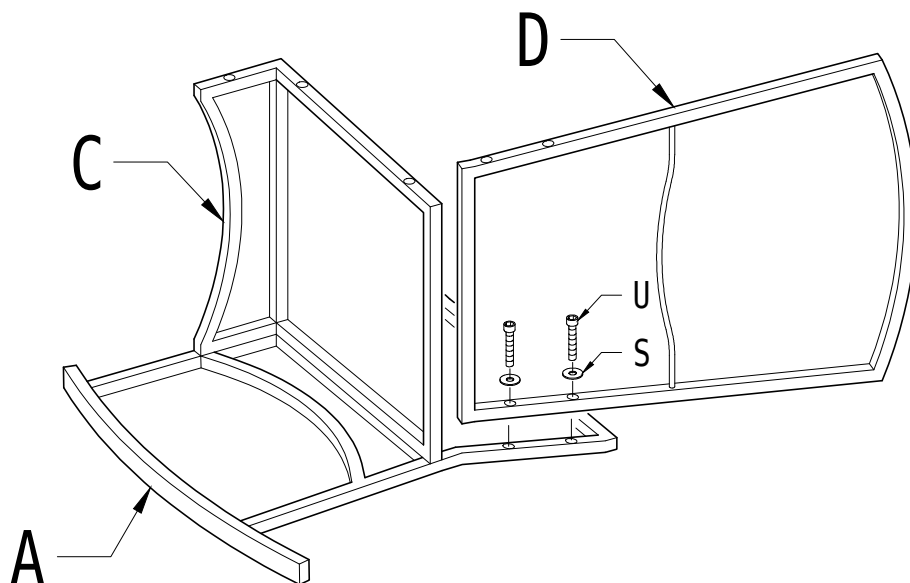
for chair

D x 2



S: shim
ø16*6.4*1 4 pcs

U: screw M6*40mm
4 pcs

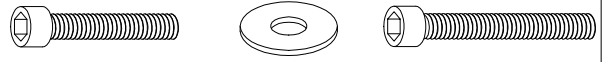


2x

Step 3

for chair

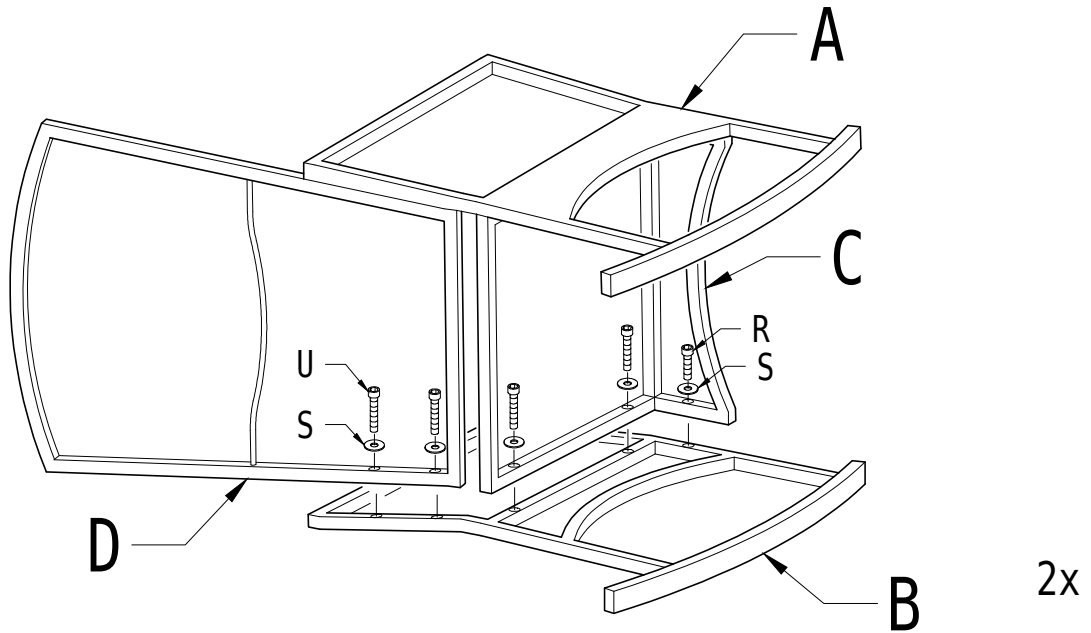
B x 2



R: screw M6*30mm
2 pcs

S: shim
ø16*6.4*1 10 pcs

U: screw M6*40mm
8 pcs



Step 1

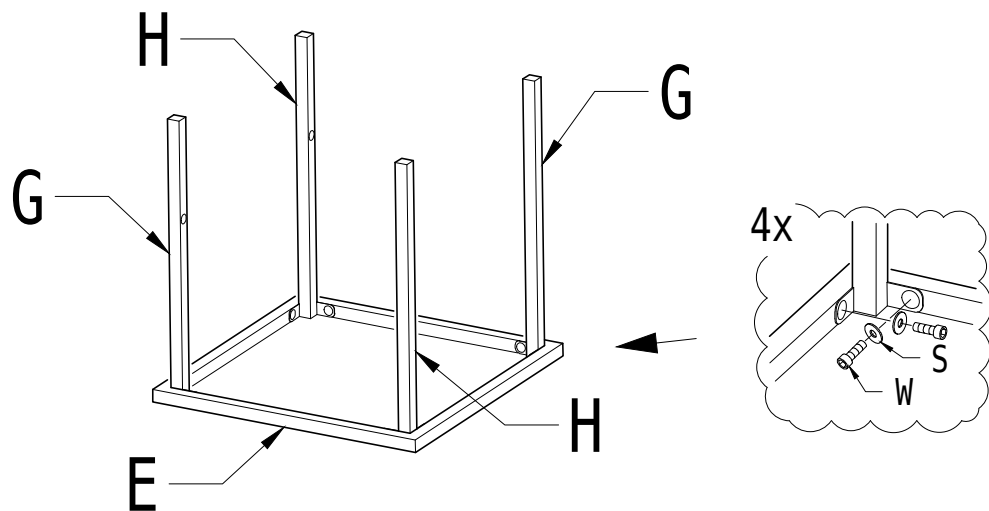
for table

E x 1, G x 2, H x 2



S: shim
ø16*6.4*1 8 pcs

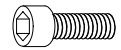
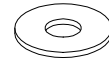
W: screw M6*20mm
8 pcs



Step 2

for table

F x 1



S: shim
ø16*6.4*1 4 pcs

V: screw M6*15mm
4 pcs

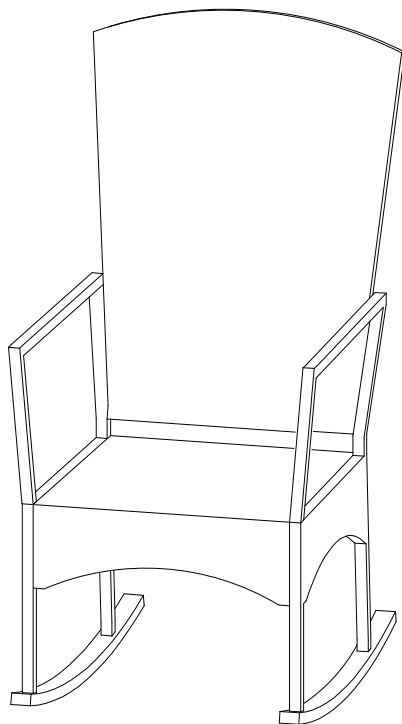
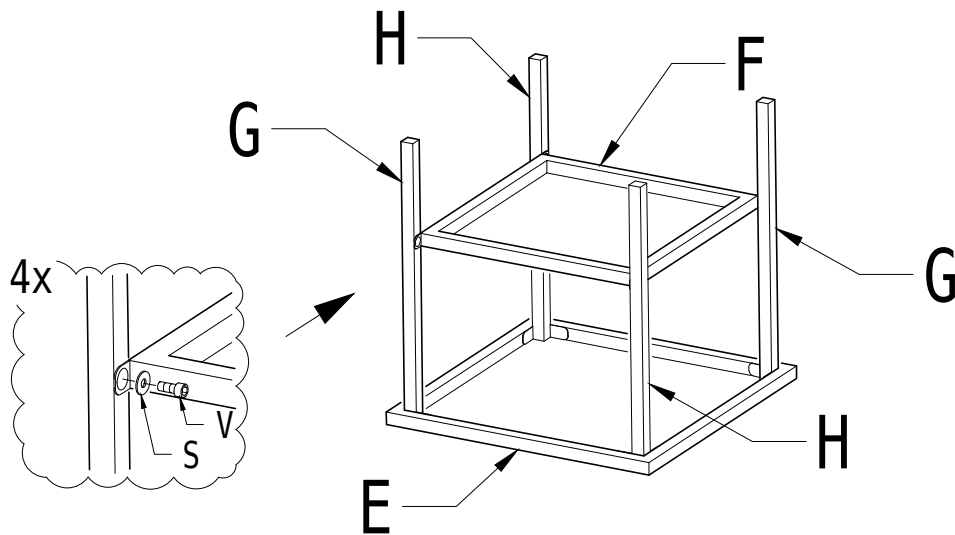


table glass

