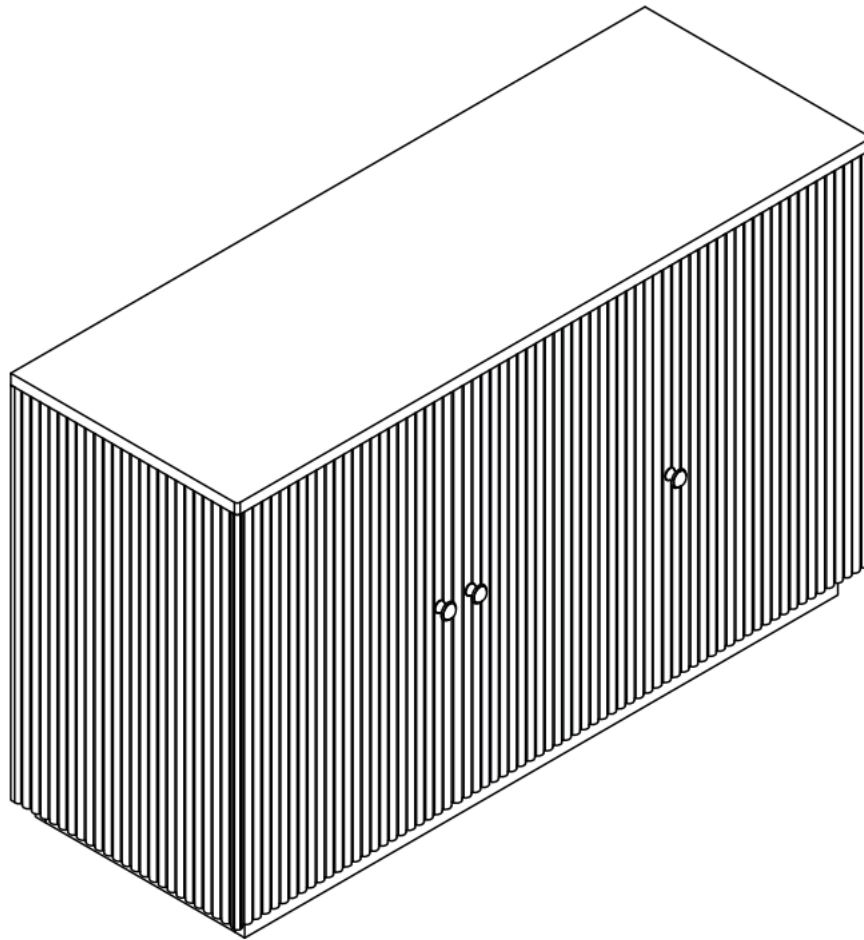


Owner Manual



Per Seat Weight Limitation

100 LBS

Thank You For Choosing Our Furniture

NOTE:






This brochure contains
IMPORTANT safety info.
Please read and keep it
for future reference.

MAINTENANCE AND WARNINGS



Before You Start

Please follow the steps below:

-  Check the packaging for any damage, deformation, or water stains. If there is significant damage, please contact us promptly.
-  Open the packaging and confirm that the panels, hardware, screws, etc are complete.
-  Please read the installation instructions carefully to understand the installation steps and precautions to ensure proper installation.
-  Clean the installation area in advance and ensure the ground is level and there is enough space to avoid damaging the furniture or making installation difficult.
-  Lay a protective mat on the ground to prevent scratching the floor during installation.

After-Sales Service

- If you encounter any issues or need technical support during use, please contact our after-sales team. We offer long-term maintenance and warranty services.



Precautions

- ⚠ This product for indoor use only. Do not expose it to outdoor elements or high-humidity environments.
- ⚠ Keep the product away from high heat or open flames to prevent fire hazards.
- ⚠ Do not allow children to climb on the product to prevent personal injury caused by tipping



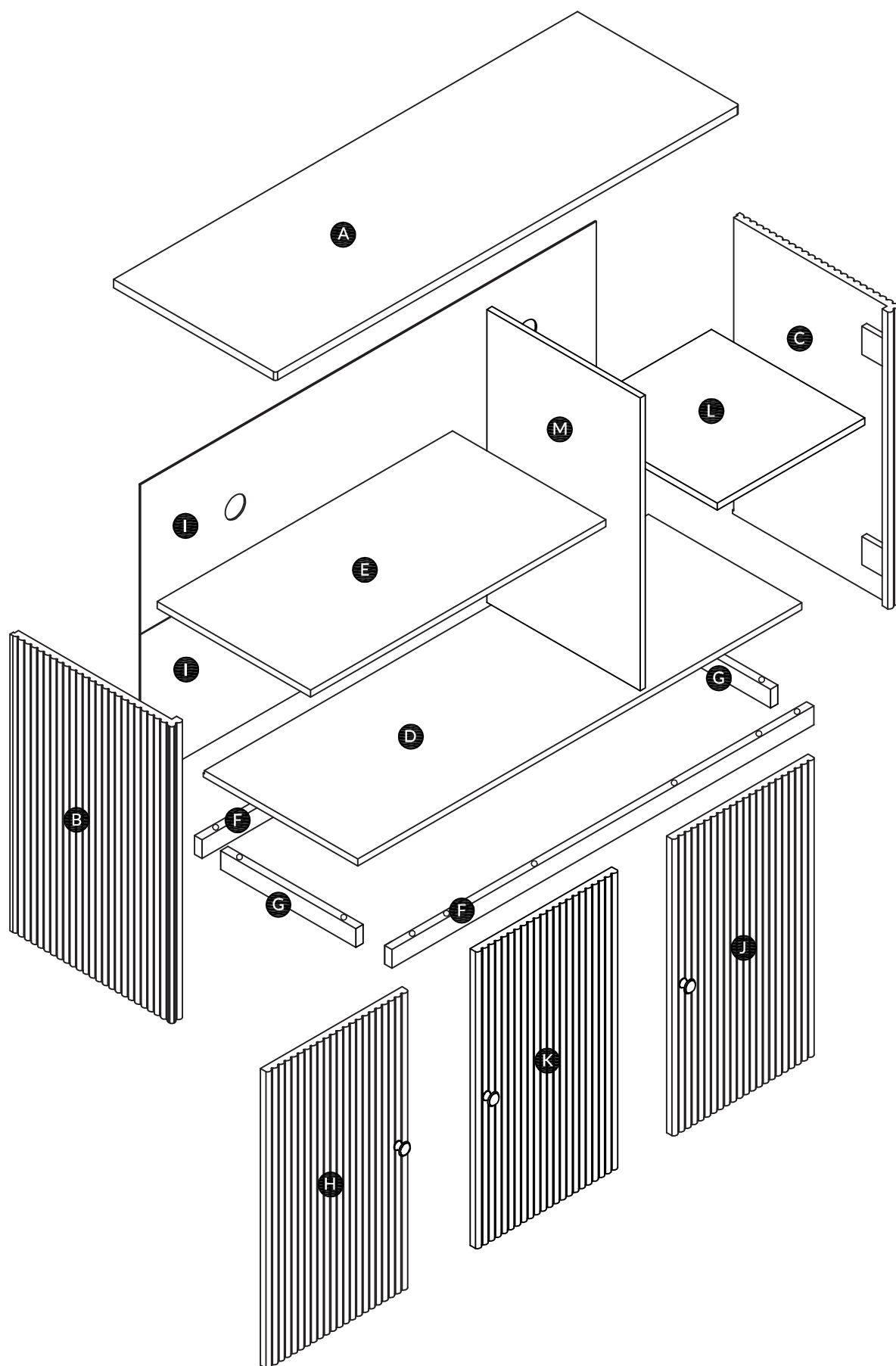
Safety Warnings

- ⚠ If you notice any loose or damaged parts, stop using the product immediately and contact customer service.
- ⚠ Do not attempt to disassemble or replace any components yourself, as this may affect the stability and safety of the product.

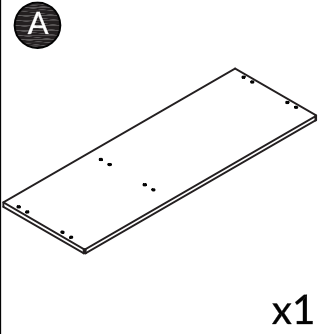
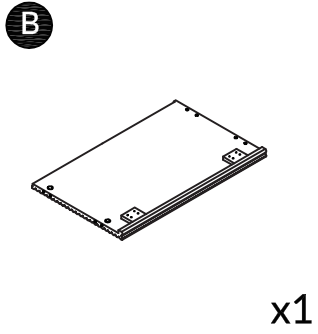
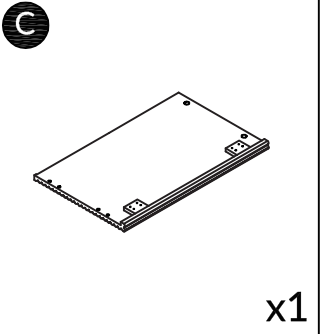
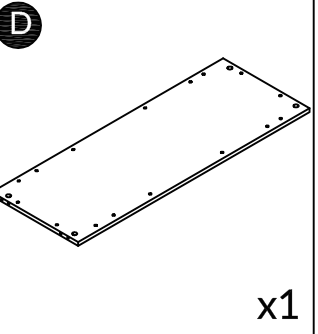
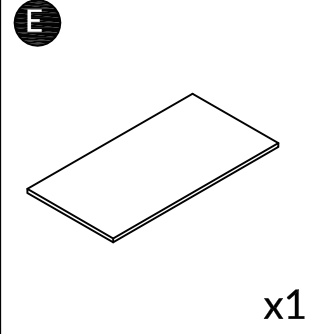
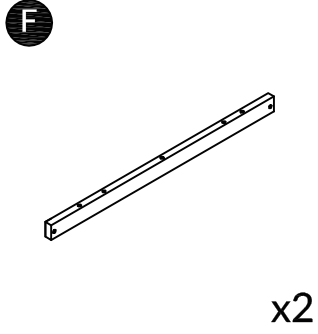
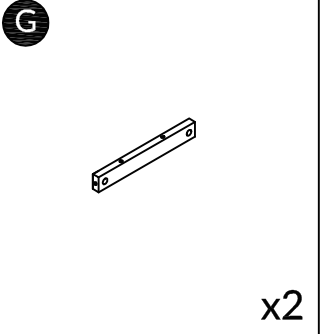
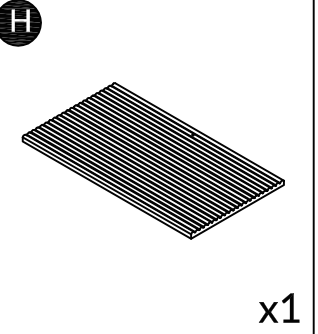
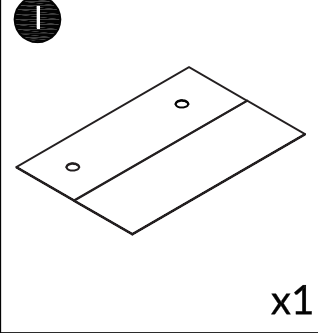
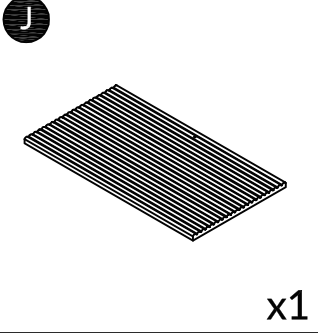
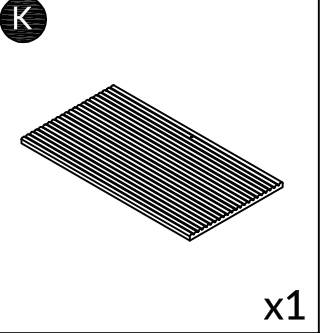
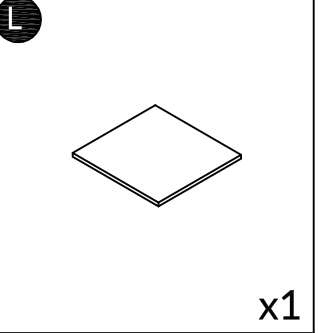
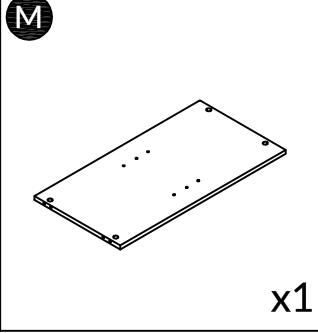
Daily Maintenance

- Do not use cleaning agents containing acids, alkalis, or corrosive substances, as they may damage the surface. It is recommended to use neutral cleaning agents or specialized furniture cleaners
- Avoid exposing furniture to humid environments for extended periods to prevent swelling or deformation of the boards. Use a dehumidifier or desiccant during humid weather.
- Avoid direct contact of furniture with water. If water is accidentally spilled, wipe it dry immediately.
- Avoid placing excessively heavy objects on the furniture: ensure the weight is within a reasonable load-bearing range.
- Avoid using sharp or rough items on the furniture surface to prevent scratches. Handle items gently when moving them

Explosive view

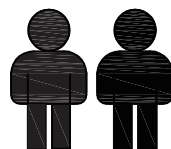


Parts list

 <p>A</p> <p>x1</p>	 <p>B</p> <p>x1</p>	 <p>C</p> <p>x1</p>	 <p>D</p> <p>x1</p>
 <p>E</p> <p>x1</p>	 <p>F</p> <p>x2</p>	 <p>G</p> <p>x2</p>	 <p>H</p> <p>x1</p>
 <p>I</p> <p>x1</p>	 <p>J</p> <p>x1</p>	 <p>K</p> <p>x1</p>	 <p>L</p> <p>x1</p>
 <p>M</p> <p>x1</p>			

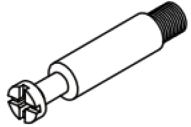

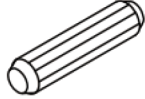




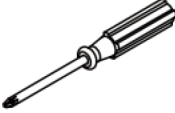

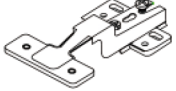


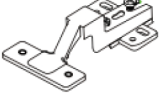



Installation:
30minutes.



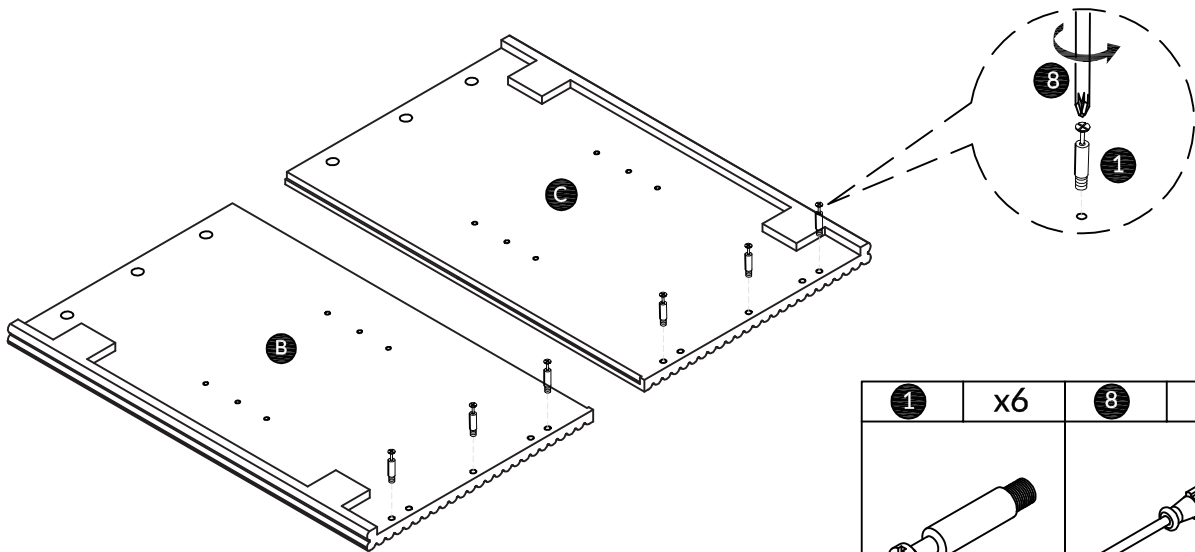
Two Person

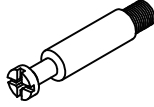
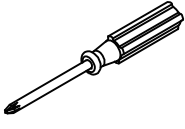
Hardware List

<p>1 x20+1</p>  <p>D6x35mm</p>	<p>2 x20+1</p>  <p>D15x11mm</p>	<p>3 x16+1</p>  <p>D8x30mm</p>	<p>4 x12+1</p>  <p>M6x40mm</p>	<p>5 x8</p> 
<p>6 x36+2</p>  <p>D3.5x14mm</p>	<p>7 x24+2</p>  <p>D3x14mm</p>	<p>8 x1</p> 	<p>9 x3</p>  <p>M4x20mm</p>	<p>10 x2</p> 
<p>11 x2</p> 	<p>12 x1</p>  <p>M4</p>	<p>13 x4</p> 	<p>14 x6</p> 	

Step 1

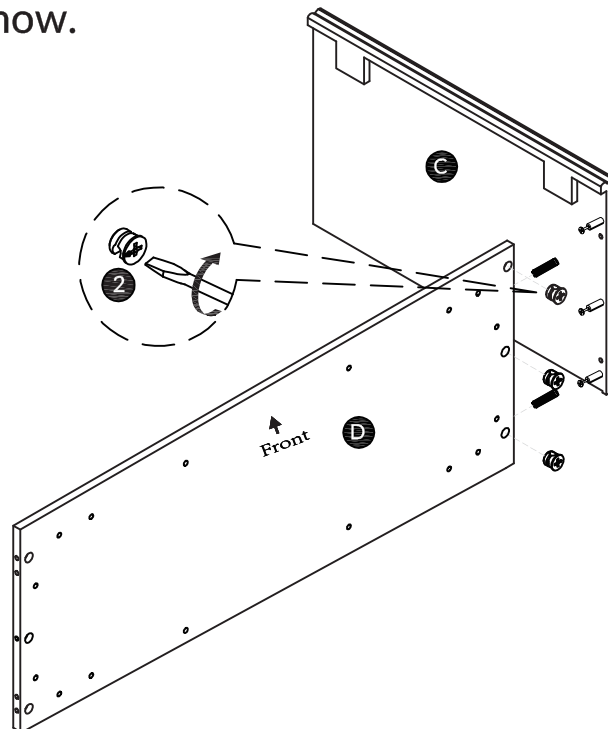
Assemble 1 on to the panel(B/C) as picture show.


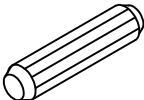
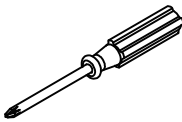


1	x6	8	x1
			
D6x35mm			

Step 2

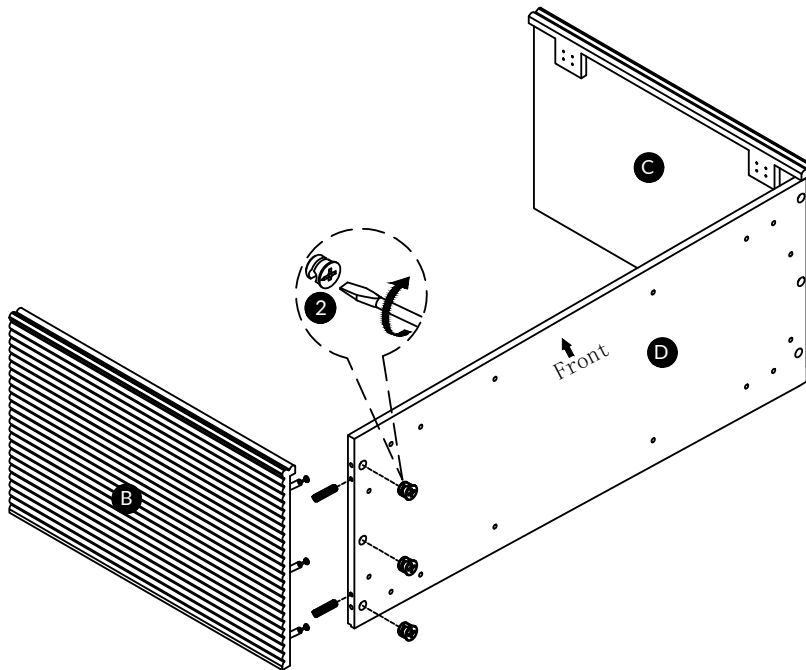
Insert panel C into the corresponding hole of bottom panel D, make sure all holes aligned and use combiner 2 and 3 to tighten it as picture show.



2	x3		
			
D15x11mm			
3	x2	8	x1
			
D8x30mm			

Step 3

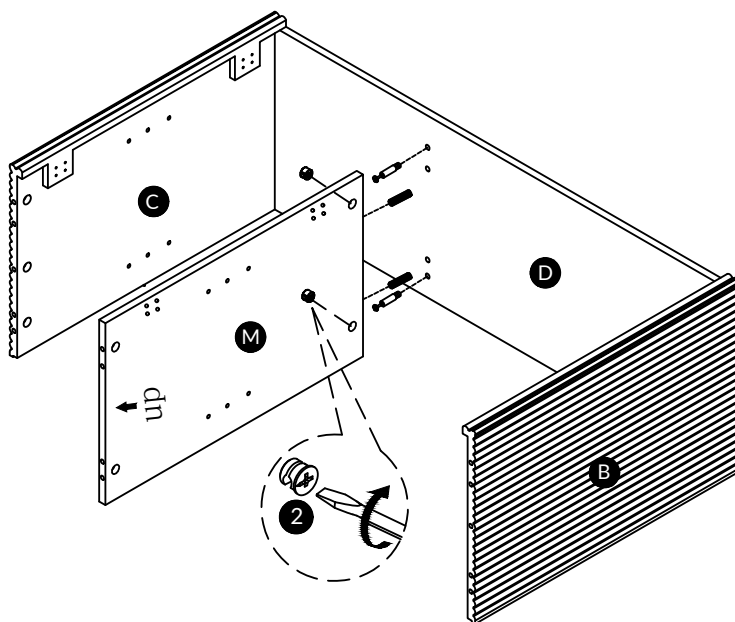
Insert panel B into the corresponding hole of bottom panel D, make sure all holes aligned and use combiner 2 and 3 to tighten it as picture show.



2	x3		
D15x11mm			
3	x2	8	x1
D8x30mm			

Step 4

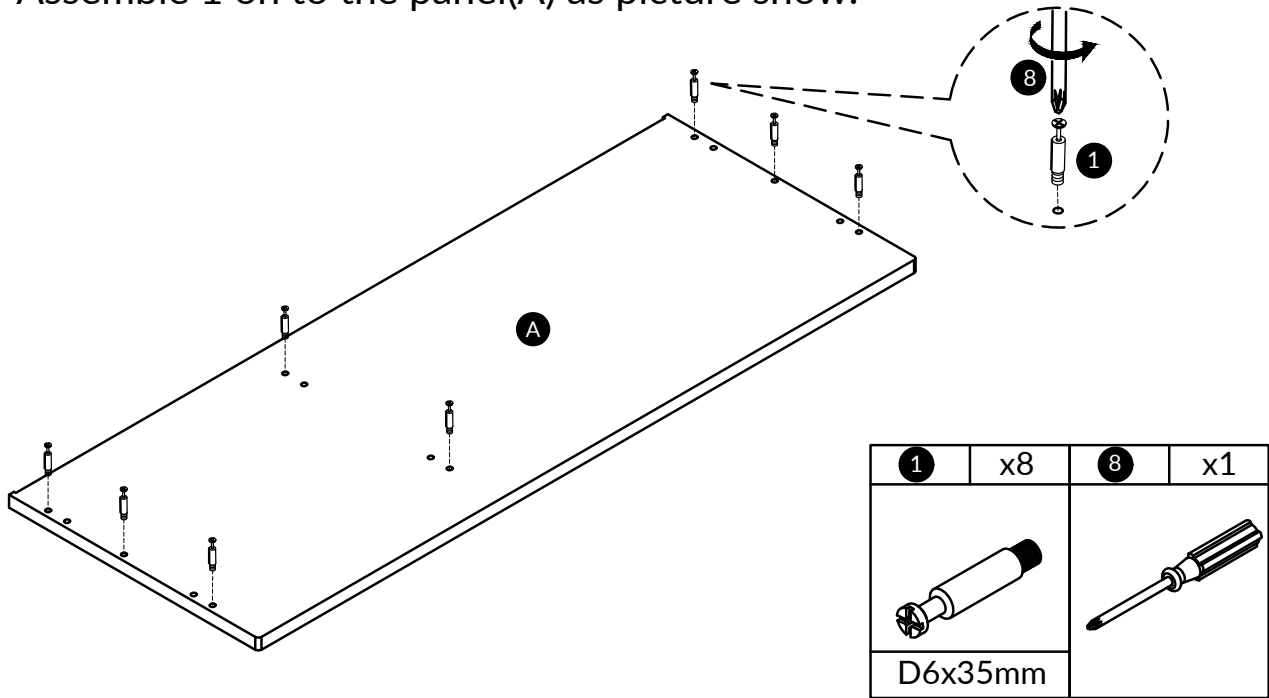
Insert panel M into the corresponding hole of bottom panel D, make sure all holes aligned and use combiner (1/2) and 3 to tighten it as picture show.



1	x2	2	x2
D6x35mm		D15x11mm	
3	x2	8	x1
D8x30mm			

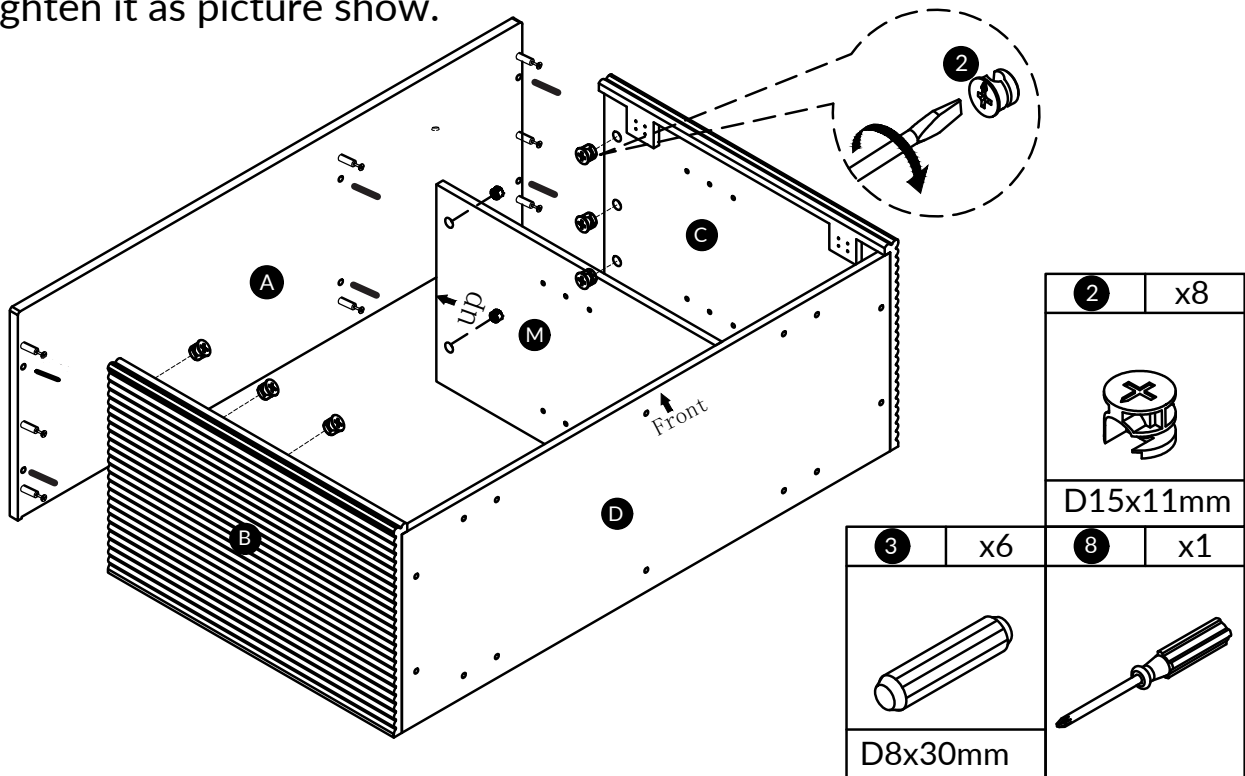
Step 5

Assemble 1 on to the panel(A) as picture show.



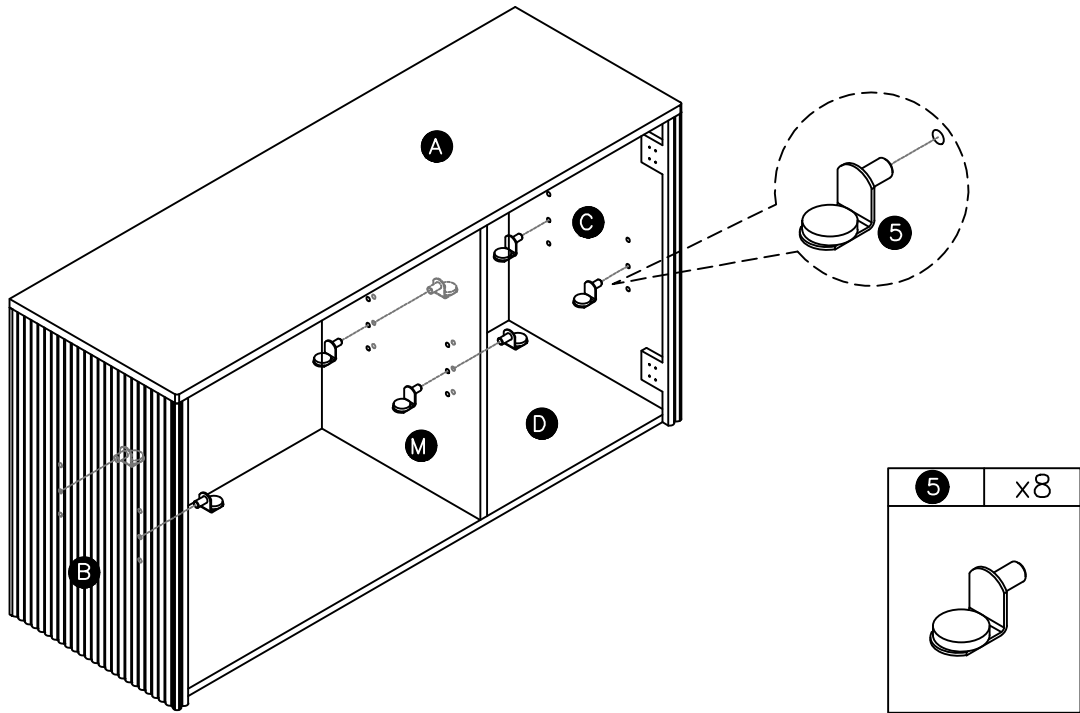
Step 6

Attach panel(A) into the corresponding hole of side panel (B/C/M), make sure all holes aligned and use combiner 2 and 3 to tighten it as picture show.



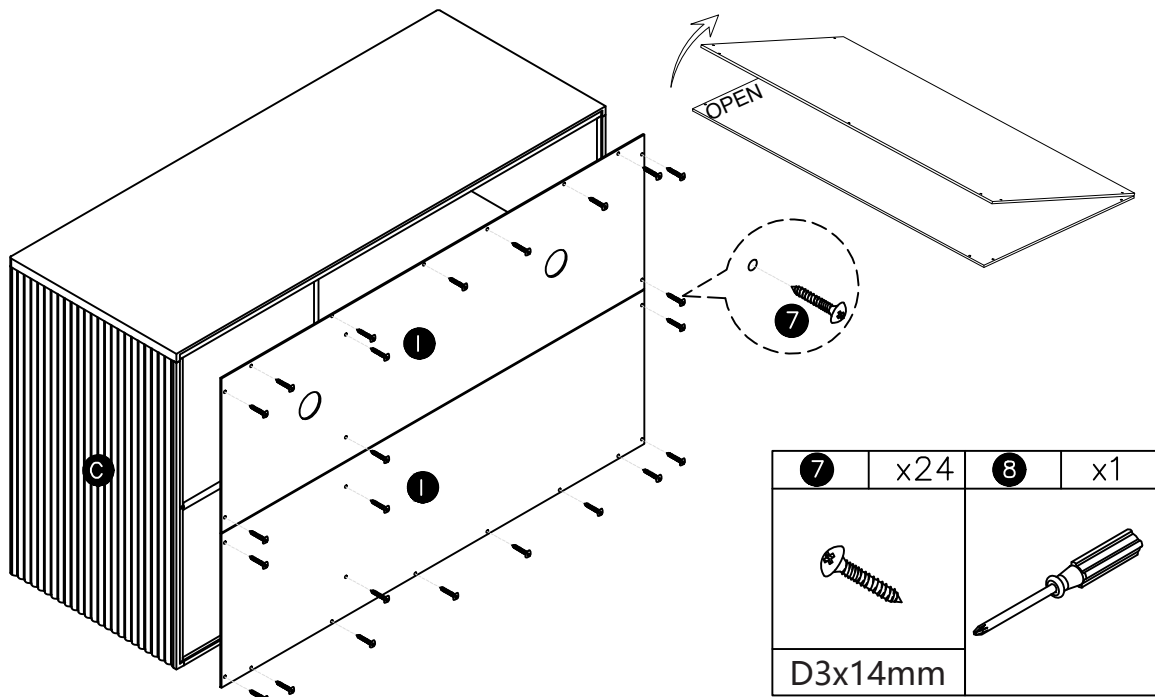
Step 7

Assemble 5 in to the panel(B/C/M) ,as picture show.



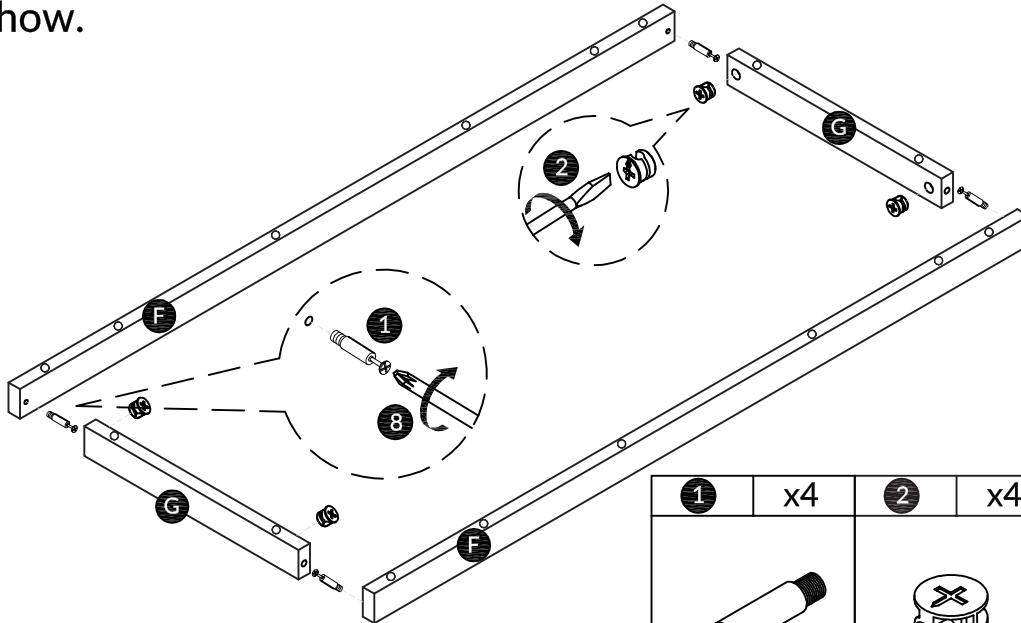
Step 8

Open the back panel(I),make sure all holes aligned and use screw 7 to attach them ` tighten screw with screwdriver 8.



Step 9

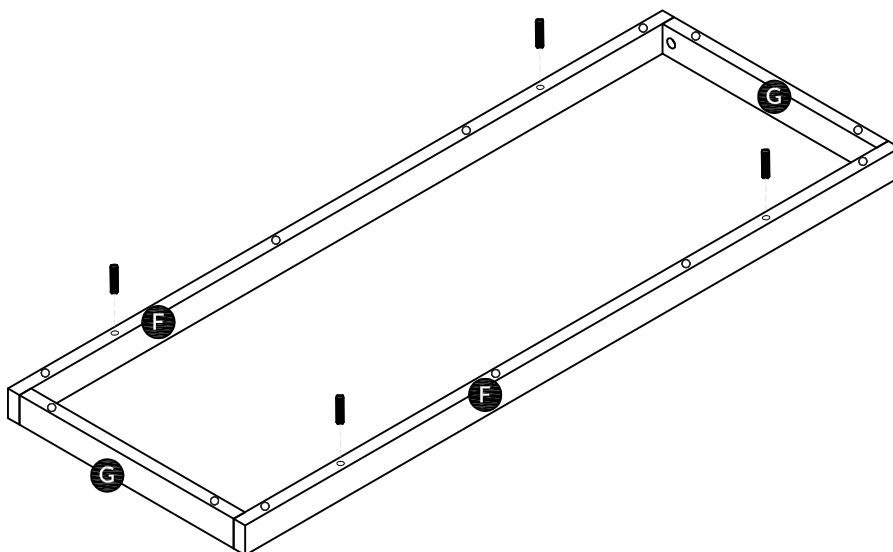
Insert panel F into the corresponding hole of panel G, make sure all holes aligned and use combiner (1/2) and 8 to tighten it as picture show.



1	x4	2	x4	8	x1
D6x35mm		D15x11mm			

Step 10

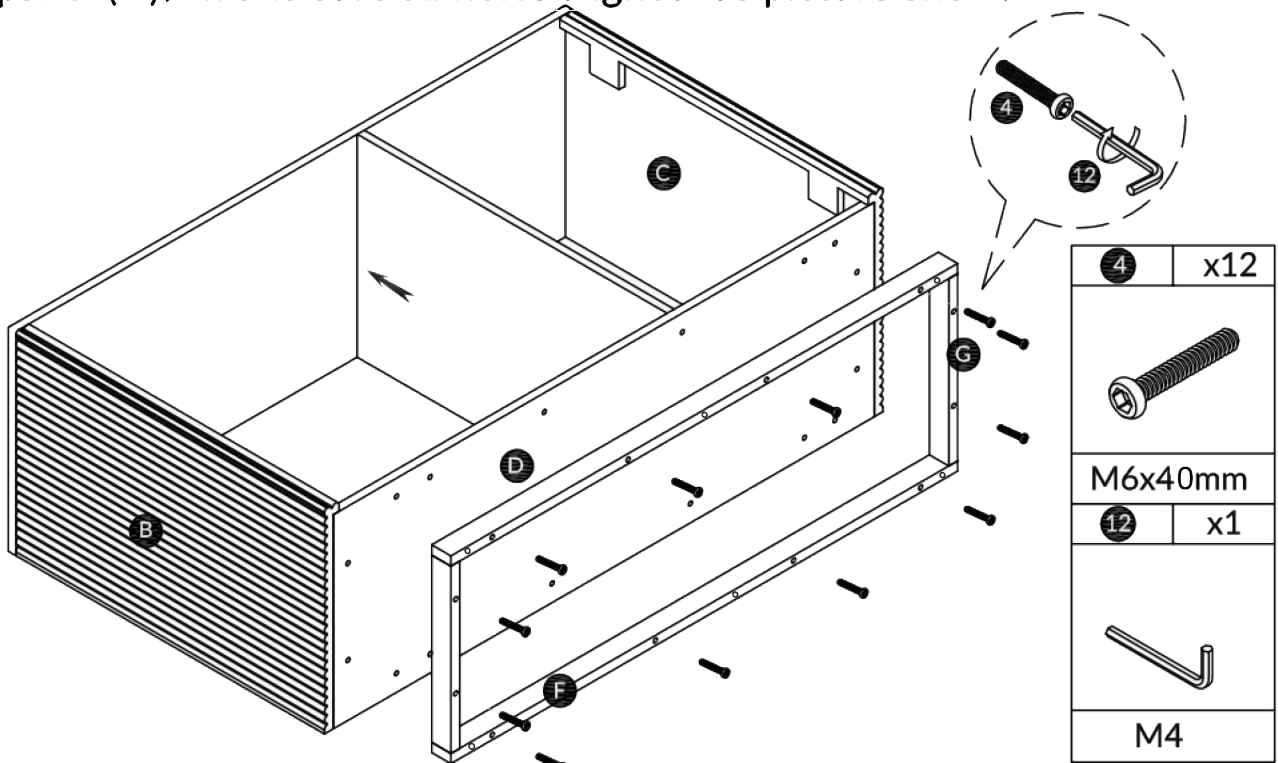
Assemble 3 in to the panel F, as picture show.



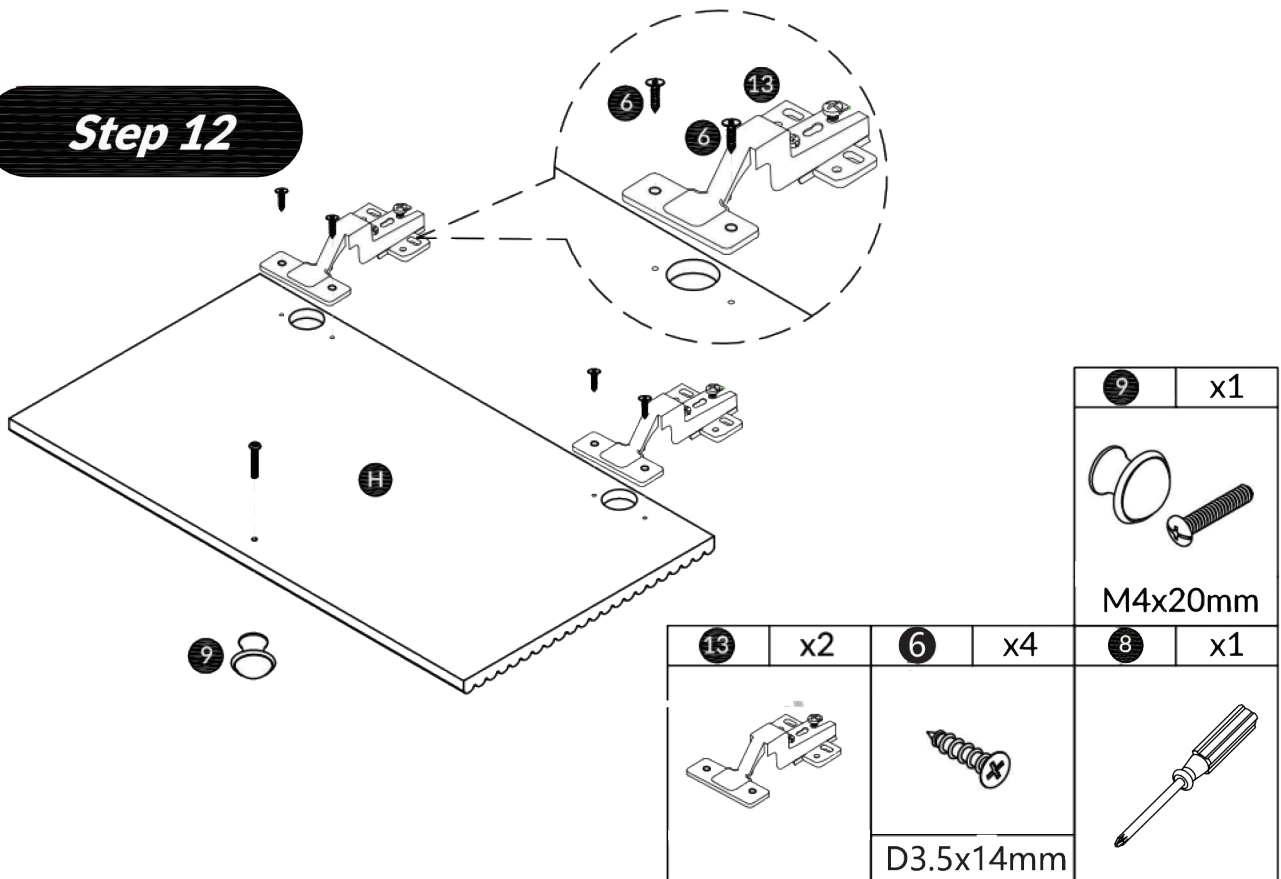
3	x4
D8x30mm	

Step 11

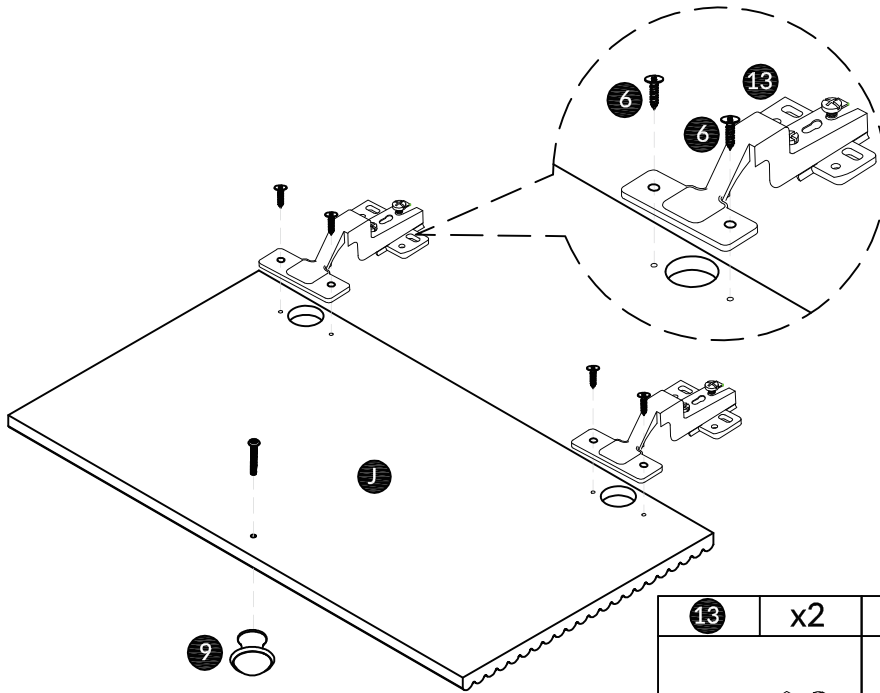
Use Allen key 12 and screw 4 into the corresponding hole of bottom panel (D), make sure all holes aligned as picture show.



Step 12



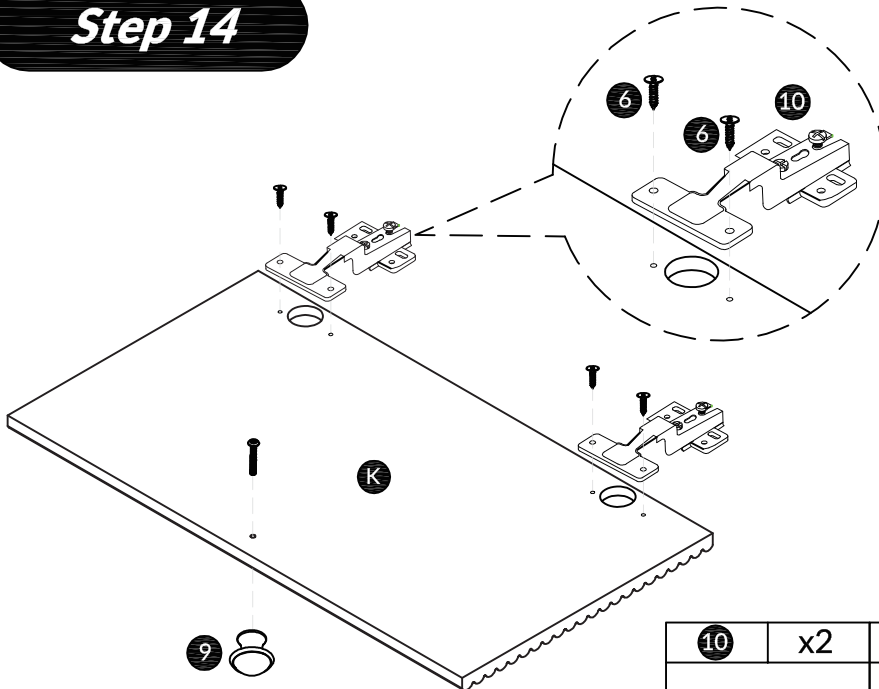
Step 13



9	x1
M4x20mm	

13	x2	6	x4	8	x1
		D3.5x14mm			

Step 14

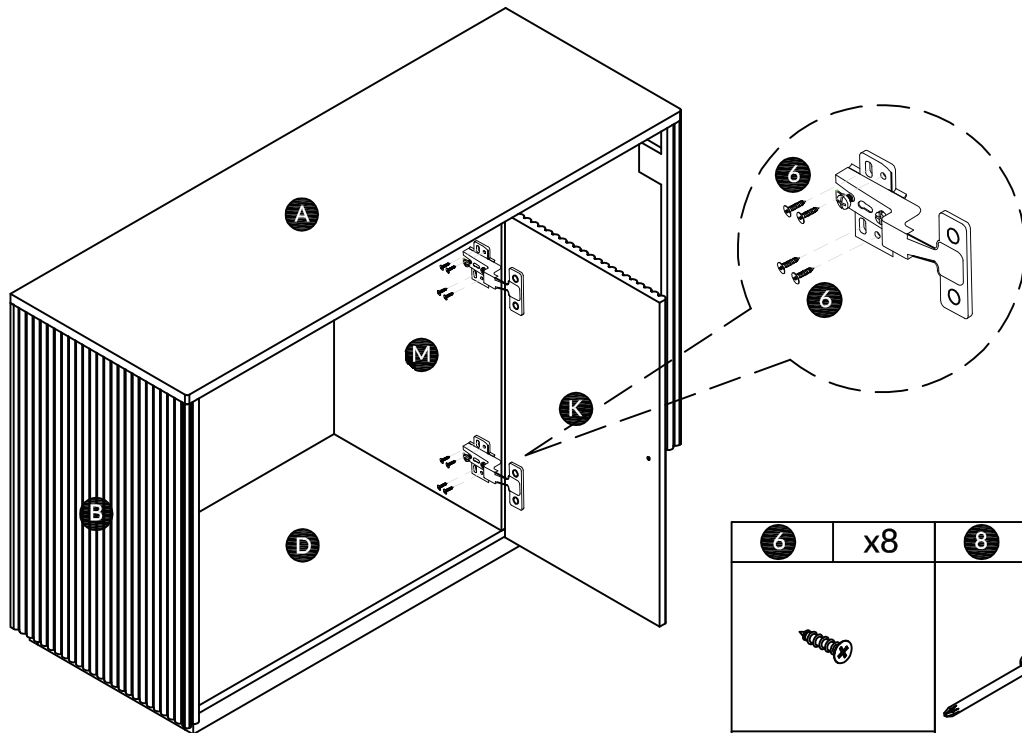



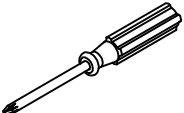
9	x1
M4x20mm	

10	x2	6	x4	8	x1
		D3.5x14mm			

Step 15

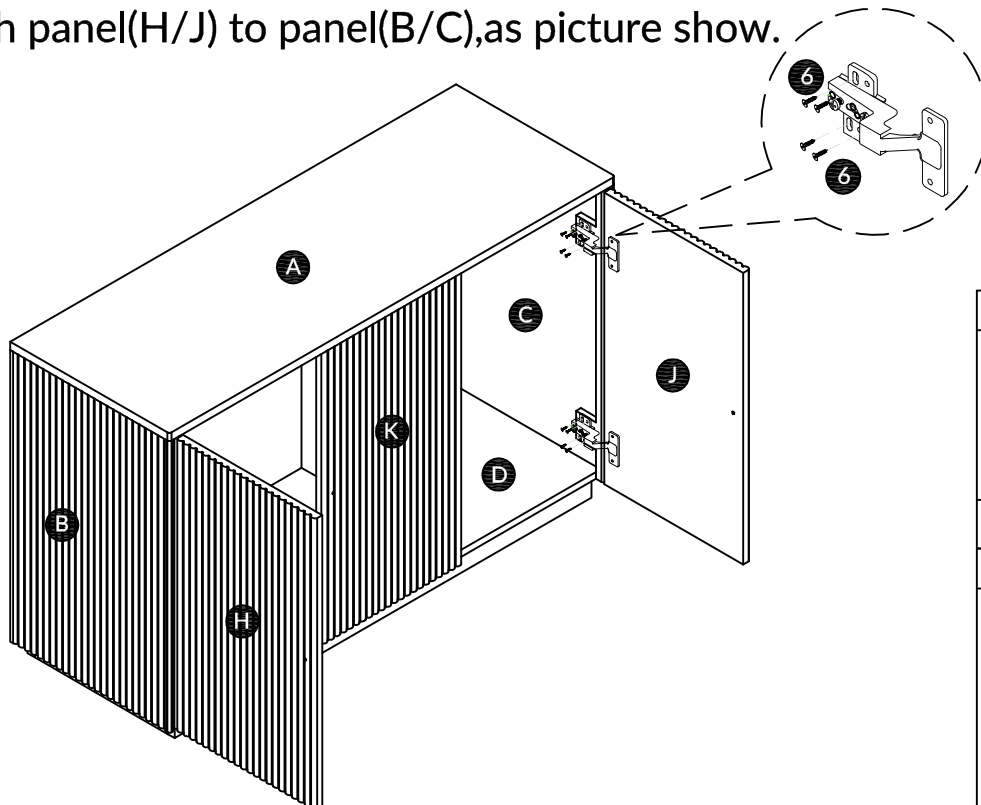
Attach panel K to panel M, as picture show.


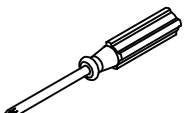


6	x8	8	x1
			
D3.5x14mm			

Step 16

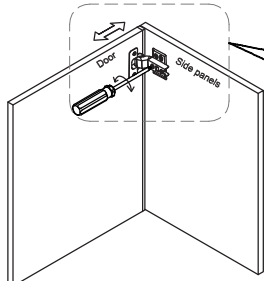
Attach panel(H/J) to panel(B/C),as picture show.



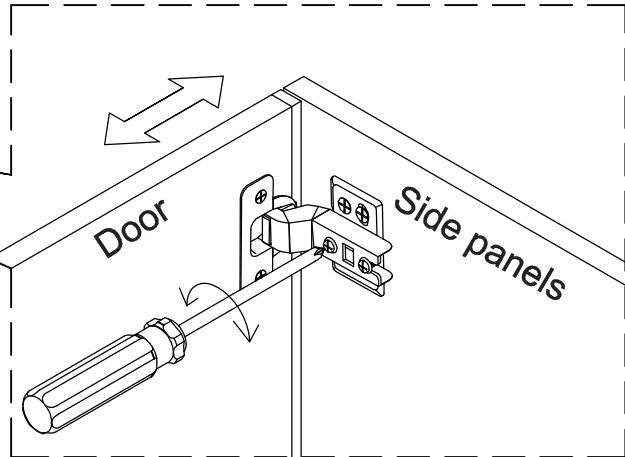
6	x16
	
D3.5x14mm	
8	x1
	

Door Hinge Adjustment Instructions

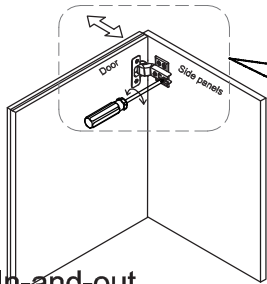
Concealed hinges are three-way adjustable:



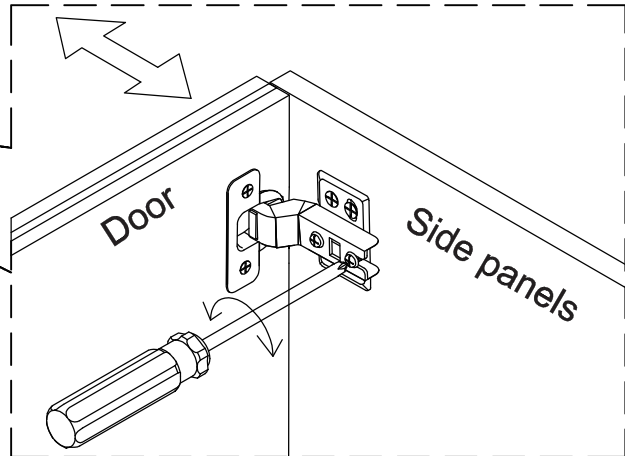
Horizontal
by screw adjustment!



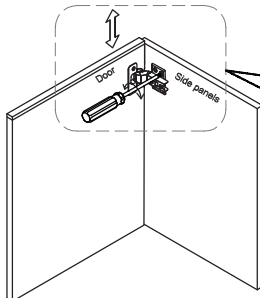
Concealed hinges are three-way adjustable:



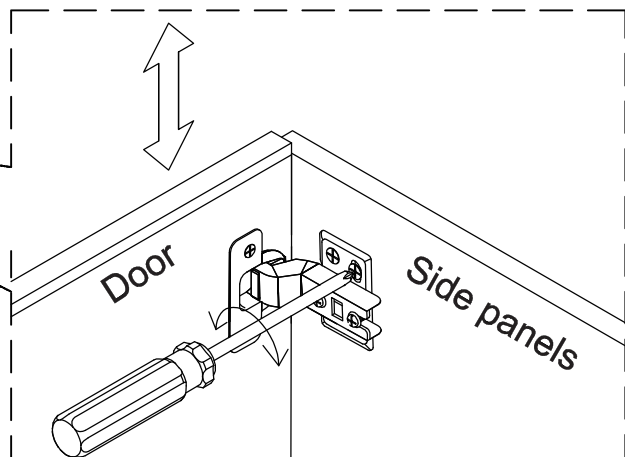
In-and-out
by loosening the hinge arm
mounting screw or via cam
adjustment!



Concealed hinges are three-way adjustable:

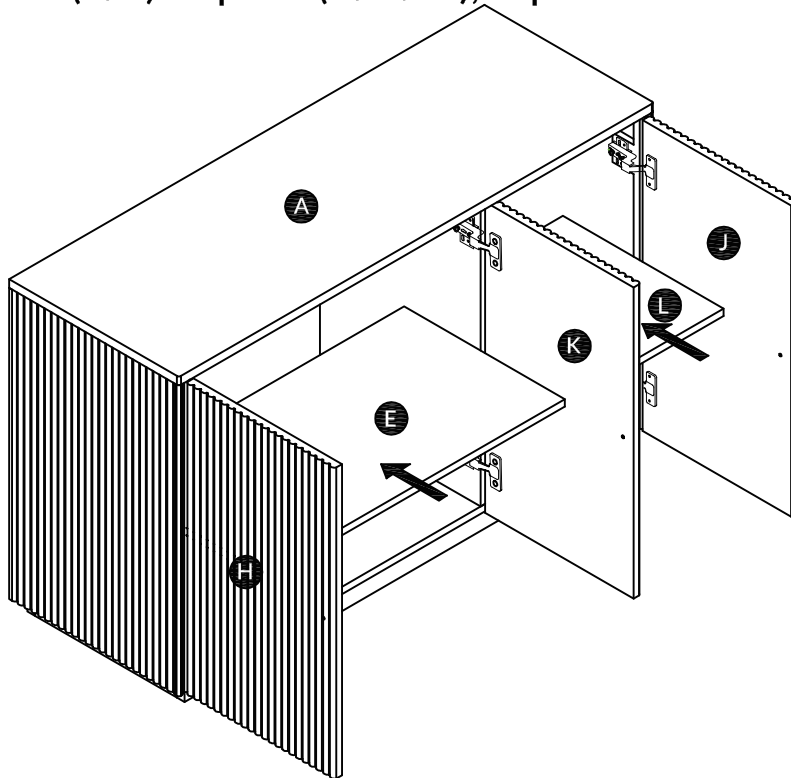


Vertical via slots in
the mounting plate
or via cam adjustment!

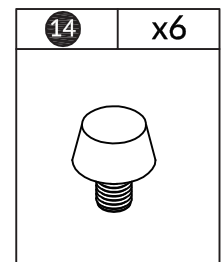
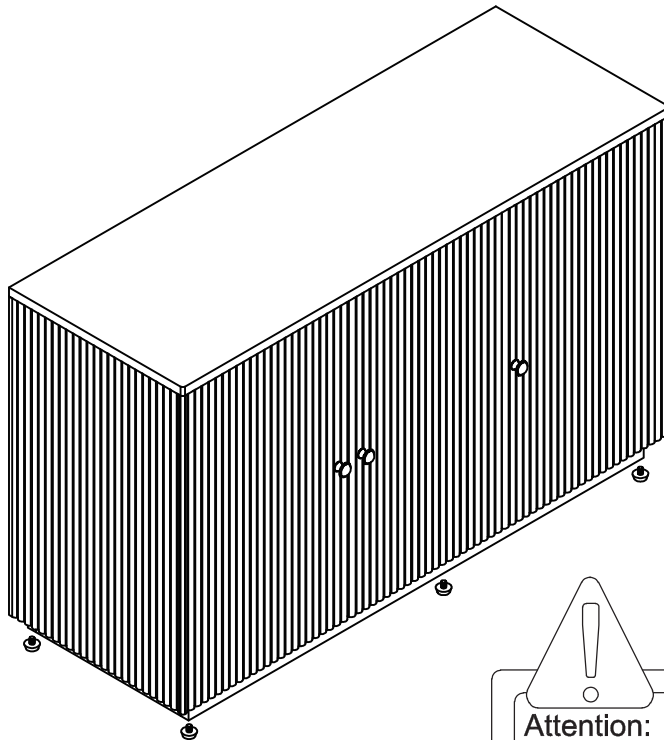
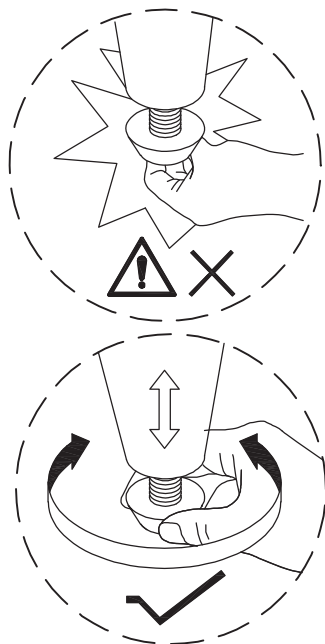


Step 17

Attach panel(E/L) to panel(B/C/M),as picture show.



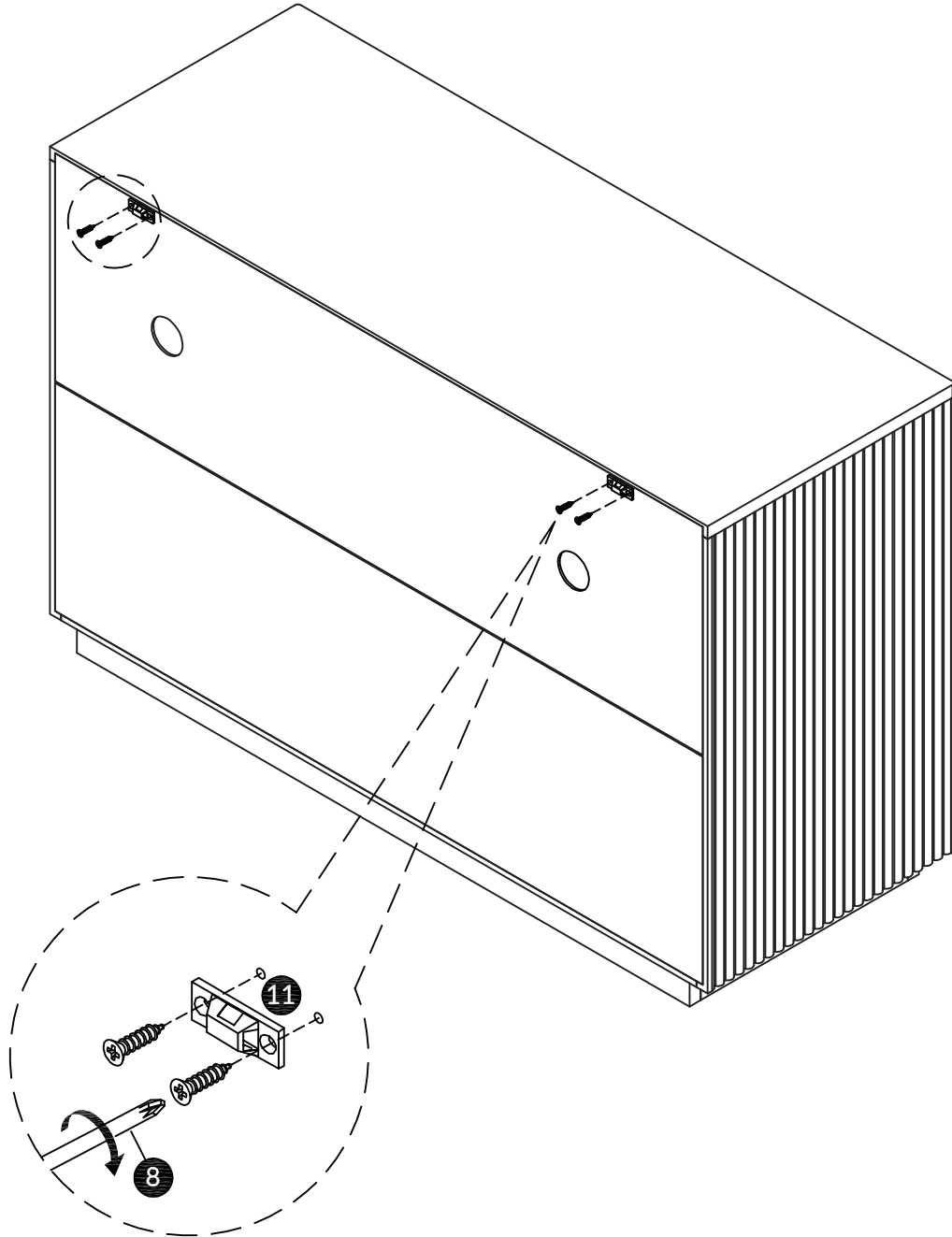
Step 18

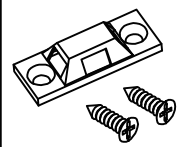
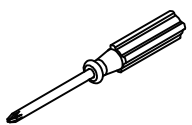


Attention:
Before the next step, adjust the feet of the locker to keep it level.


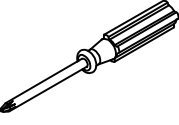
Step 19

Use screw to attach part 11 to back (A) , tight screw with screwdriver 8.



11	x2	8	x1
			
D3x16mm			

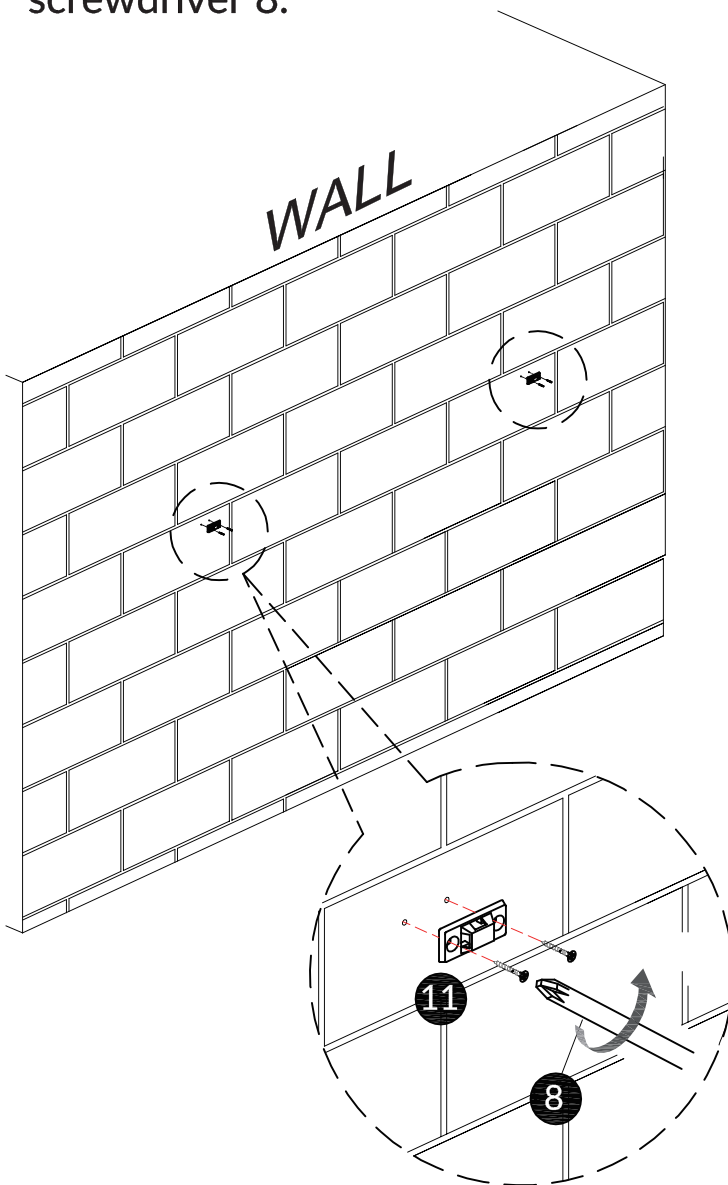
Step 20

11	x2	8	x1
			
D3.5x35mm			

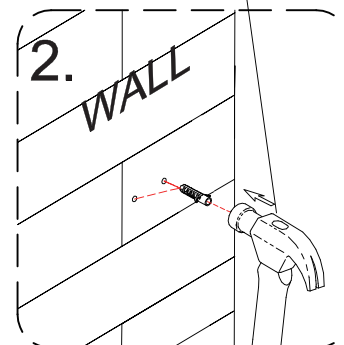
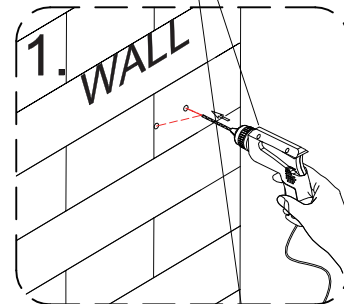
1. Install the anti-collapse device.

2. Mark the position on the wall, that corresponds to the location of part 11 on the of panel (A); Drill and insert the expandable screw by hammer.

3. Assemble the part 11 to the wall. Align the hole in the part 11 with the expandable screw, use screw to attach it and tighten by screwdriver 8.

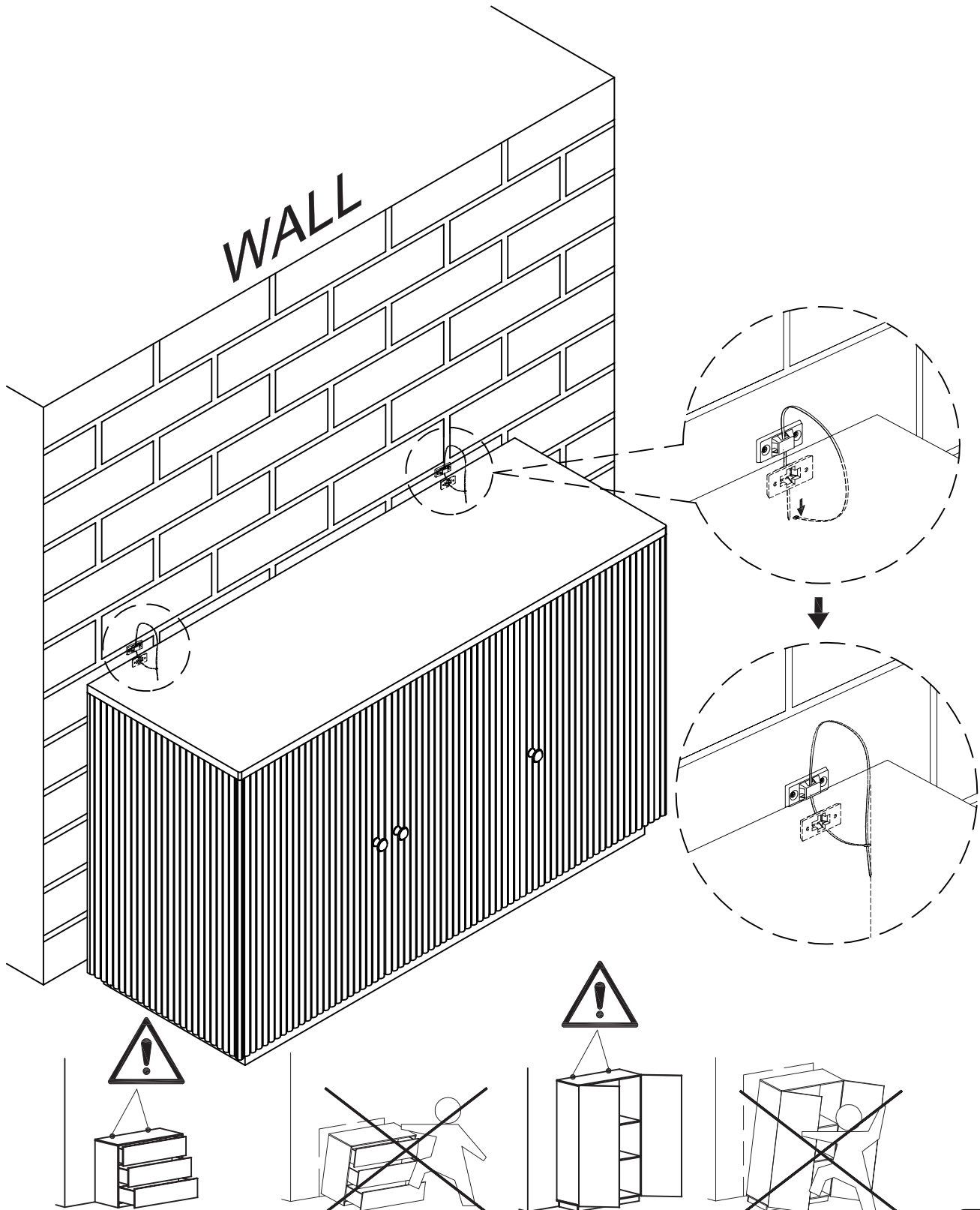


NOT PROVIDED



Step 21

Let the plastic belt 2 pass through the both part 11 and pull tightly.



WARRANTY

- We strive to offer quality products, and we also try our best to satisfy every customer who orders from us with products or services as needed.
- Replacement parts by purchasing them from our company if they are available.
- For return, please check the return policy with the retailer or market place you bought from