

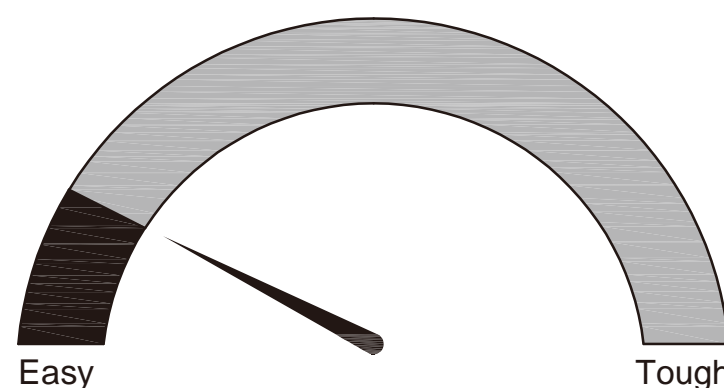


THIS INSTRUCTION BOOKLET CONTAINS IMPORTANT SAFETY INFORMATION. PLEASE READ AND KEEP FOR FUTURE REFERENCE.



## **WARNING**

- Unit can tip over causing severe injury or death.
- Anchor unit to stud in wall (if instructed to).
- Do Not allow children to climb on unit.
- Put heavy items on lower shelves or drawers.



Assembly Difficulty Meter

# Helpful Hints

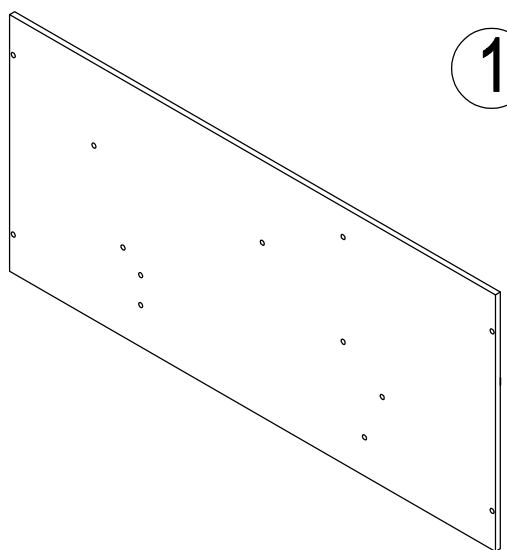
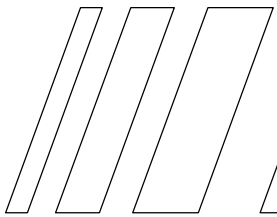
PEOPLE NEEDED FOR ASSEMBLY: 1 - 2  
ESTIMATED ASSEMBLY TIME: 1 HOUR

- Open your item in the area you plan to keep it to avoid excessive heavy lifting.
- Identify, sort and count the parts before attempting assembly.
- Compression dowels are lightly tapped in with a hammer.
- Slides are labeled with a R (right) and L (left) for proper placement.
- Make sure to always face the point on the top of the Cam Lock towards the outer edge.
- Use all the nails provided for the back panel and spread them out equally.
- Back panel must be used to make sure your unit is sturdy.
- Do NOT use harsh chemicals or abrasive cleaners on this item.
- Never push, pull, or drag your furniture.

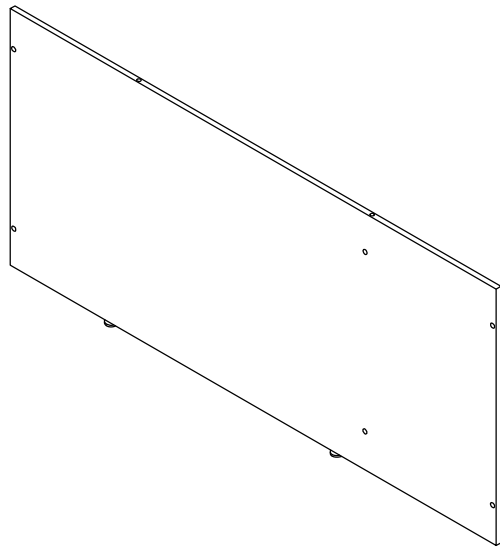


## Before You Start

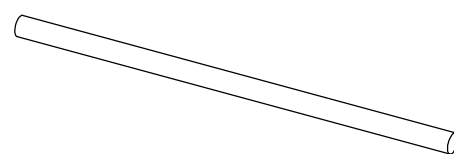
- Read through each step carefully and follow the proper order
- Separate and count all your parts and hardware
- Give yourself enough room for the assembly process
- Have the following tools: Hammer
- Caution: If using a power drill or power screwdriver for screwing, please be aware to slow down and stop when screw is tight. Failure to do so may result in stripping the screw.



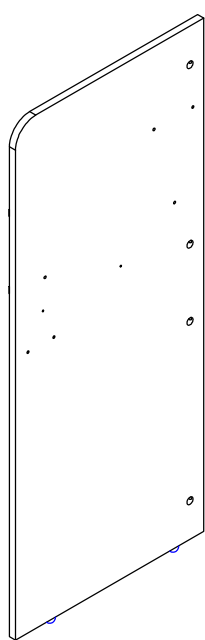
1



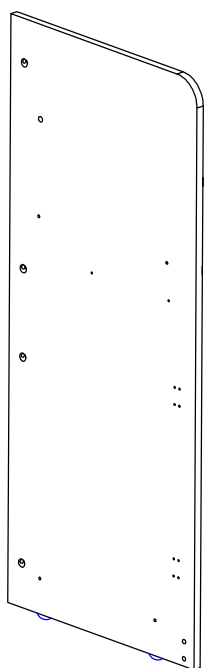
2



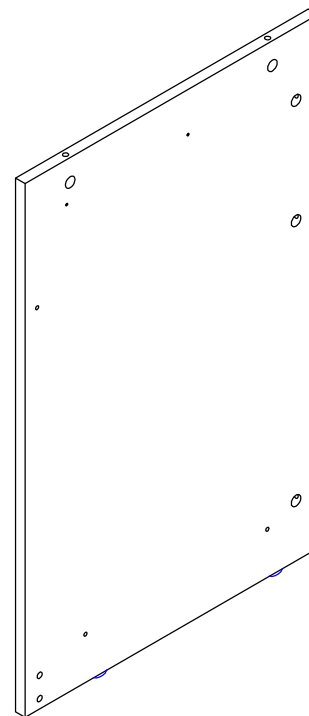
3



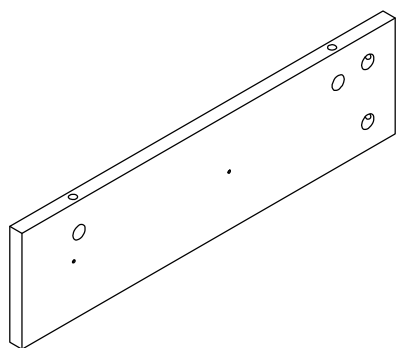
4



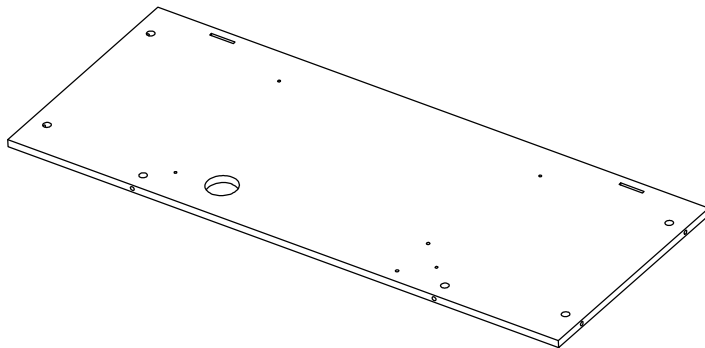
5



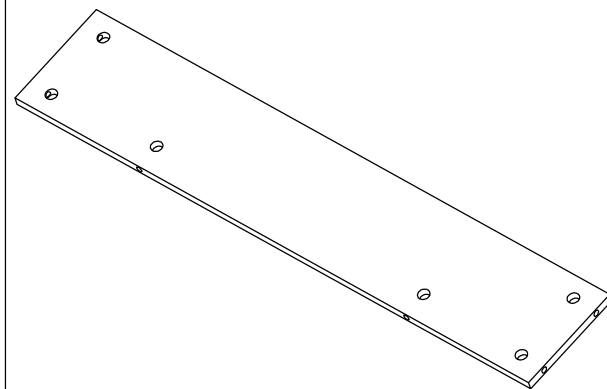
6



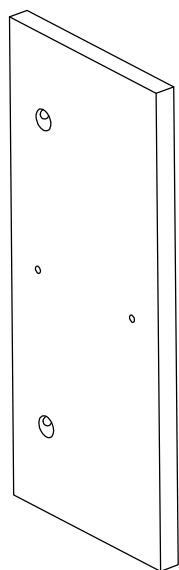
7



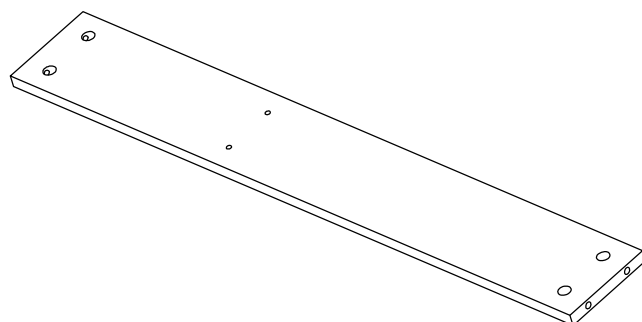
8



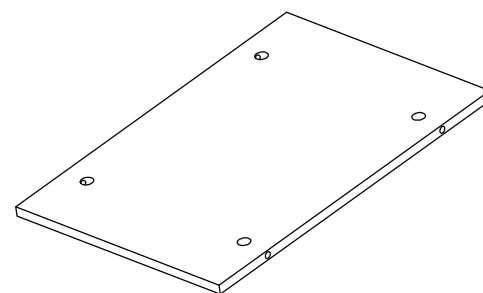
9



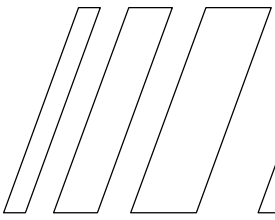
10



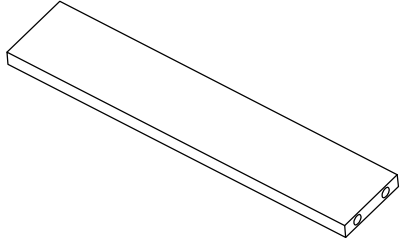
11



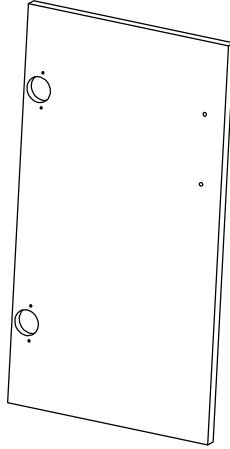
12



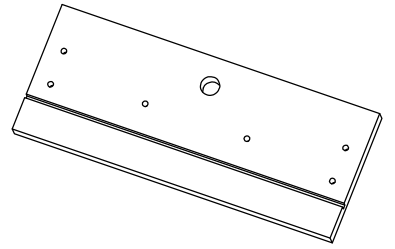
13



14

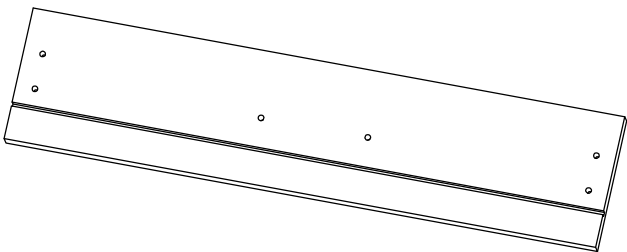


15

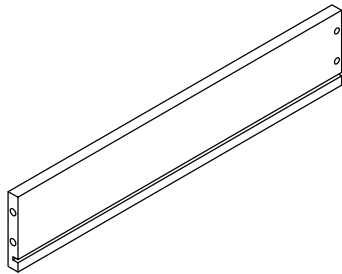


2PCS

16

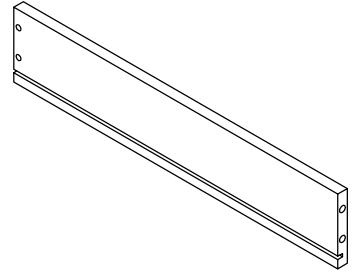


17



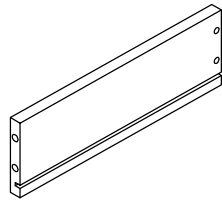
2PCS

18

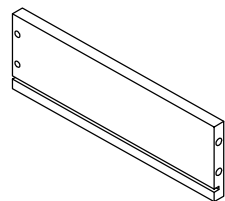


2PCS

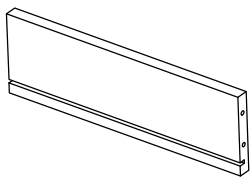
19



20

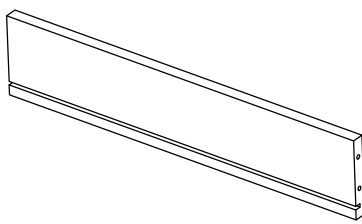


21

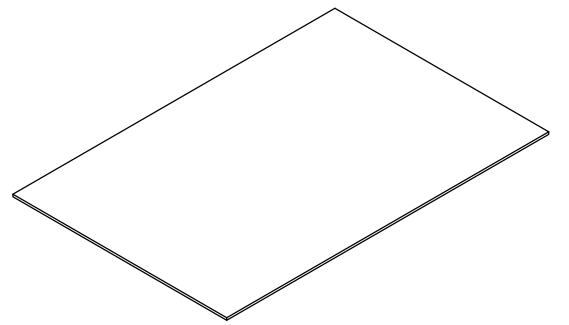


2PCS

22

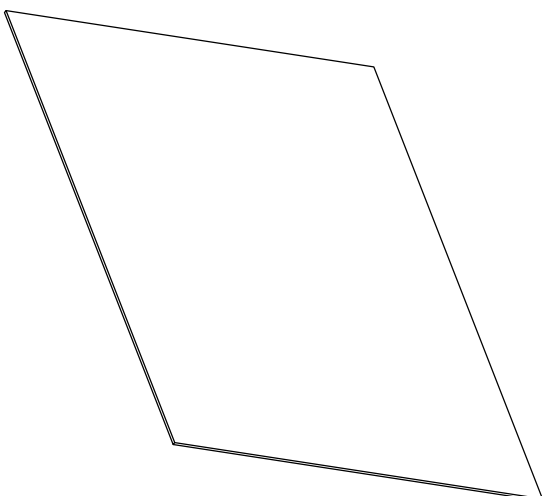


23

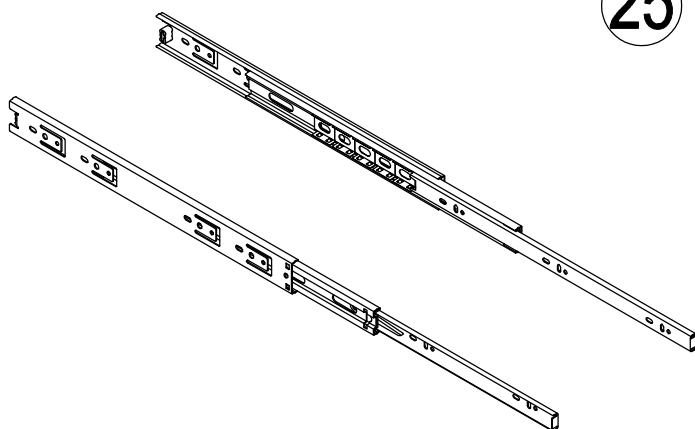


2PCS

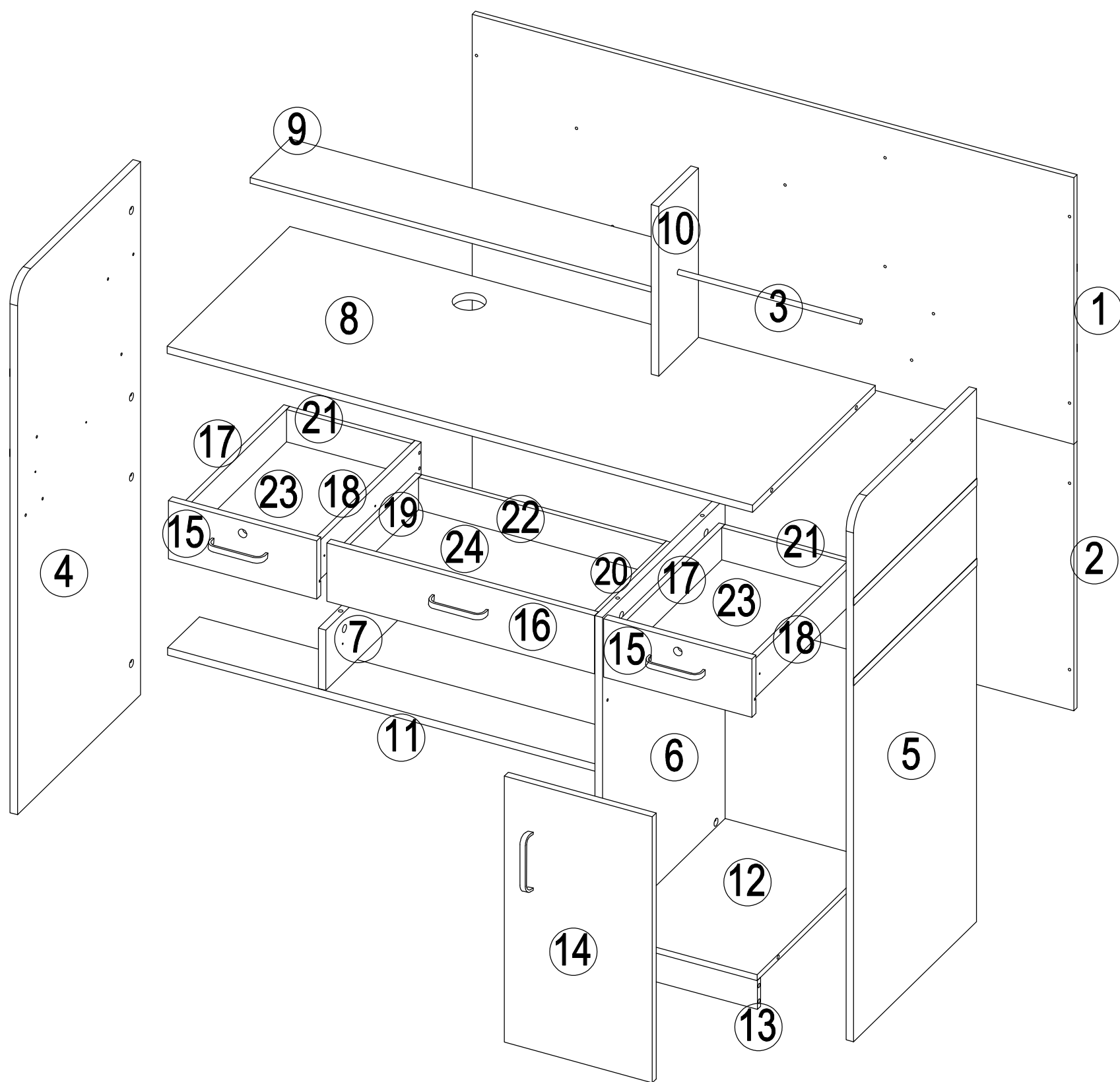
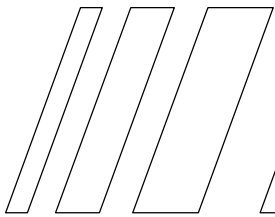
24

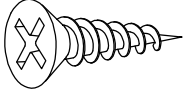
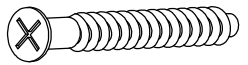

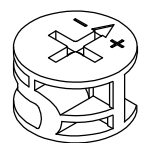

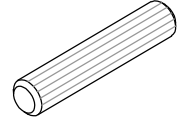
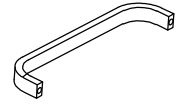
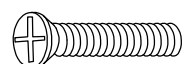
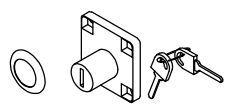

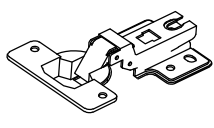
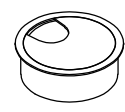
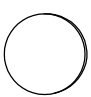
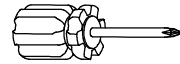


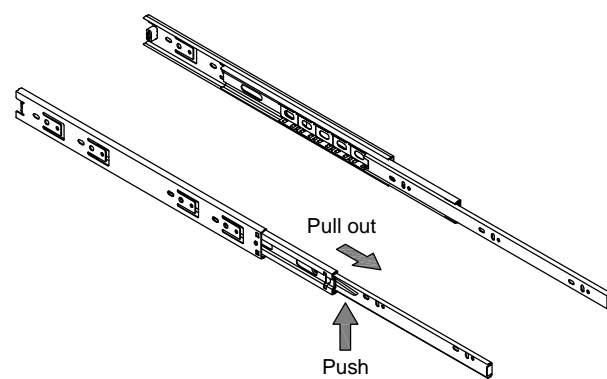
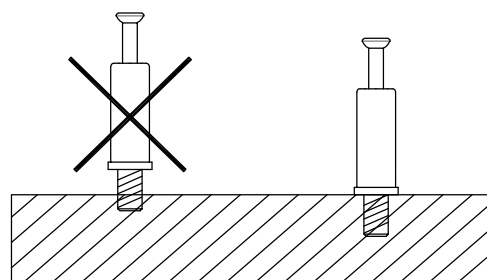
25



12" 3509W 3 SET

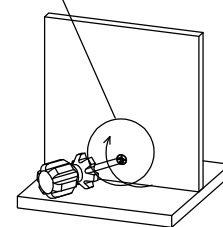
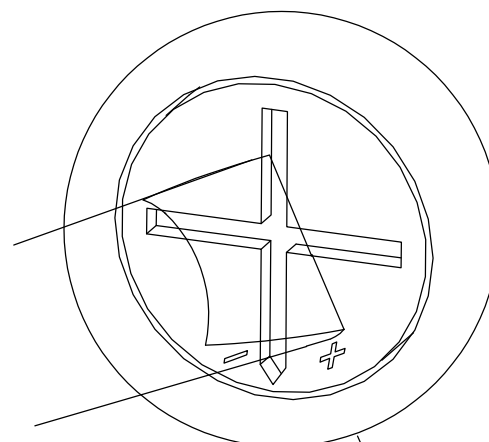
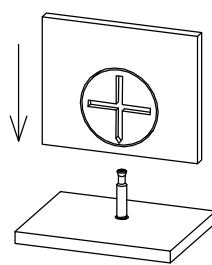
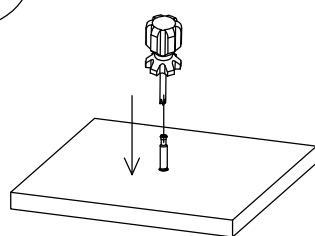
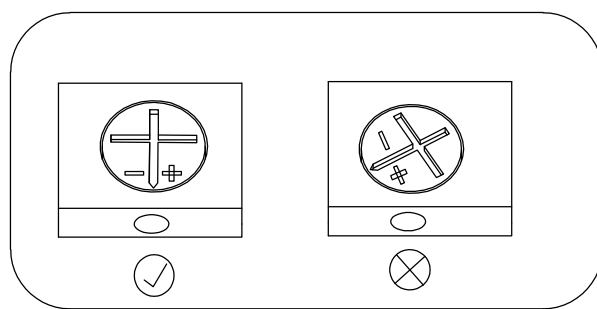
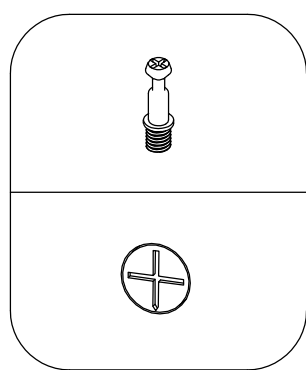


|  |  |  |   |  |   |
|--|--|--|---|--|---|
| <p>A M3.5x12</p>  <p>X 36+2</p> | <p>B M5x40</p>  <p>X 16+1</p> | <p>C M5x25</p>  <p>X 51+2</p> | <p>D Ø15x10</p>  <p>X 51+2</p> | <p>E M5</p>  <p>X 1+1</p> | <p>F Ø6x40</p>  <p>X 6+1</p> |
| <p>G M4x96</p>  <p>X 4</p>     | <p>H M4x18</p>  <p>X 8+1</p> | <p>I</p>  <p>X 2</p>         | <p>J M3x18</p>  <p>X 8+1</p>  | <p>K DW</p>  <p>X 2</p>  | <p>L Ø60</p>  <p>X 1</p>    |
| <p>M</p>  <p>X 20</p>         |  |  <p>X 1</p>                 |   |  |   |

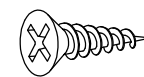


Disconnect the keyboard rail with the BLACK PLASTIC PART. It needs to be pulled down to disconnect the runners.

**M5X25mm**



A M3.5x12



X 4

1

7

D

D

25

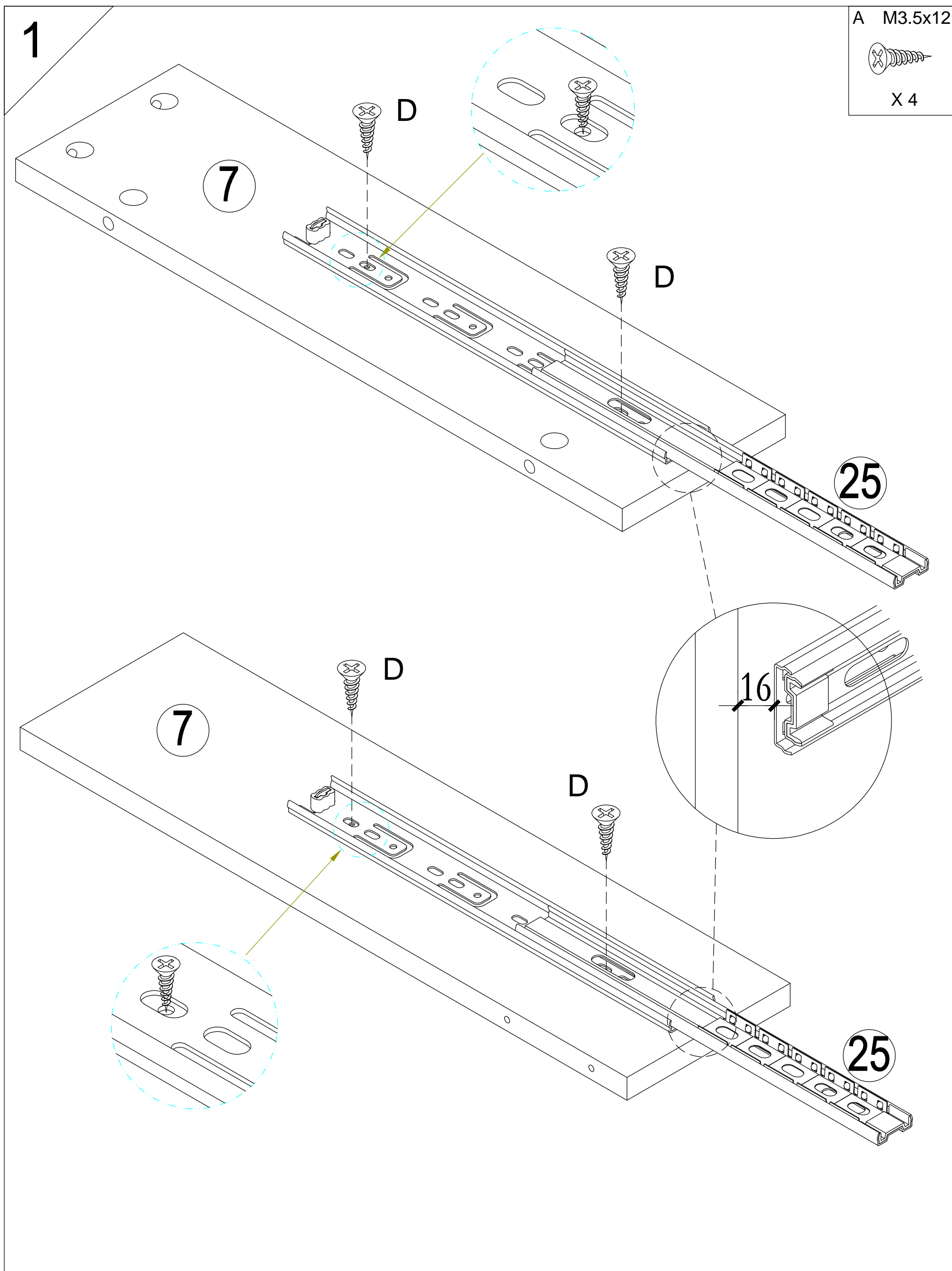
7

D

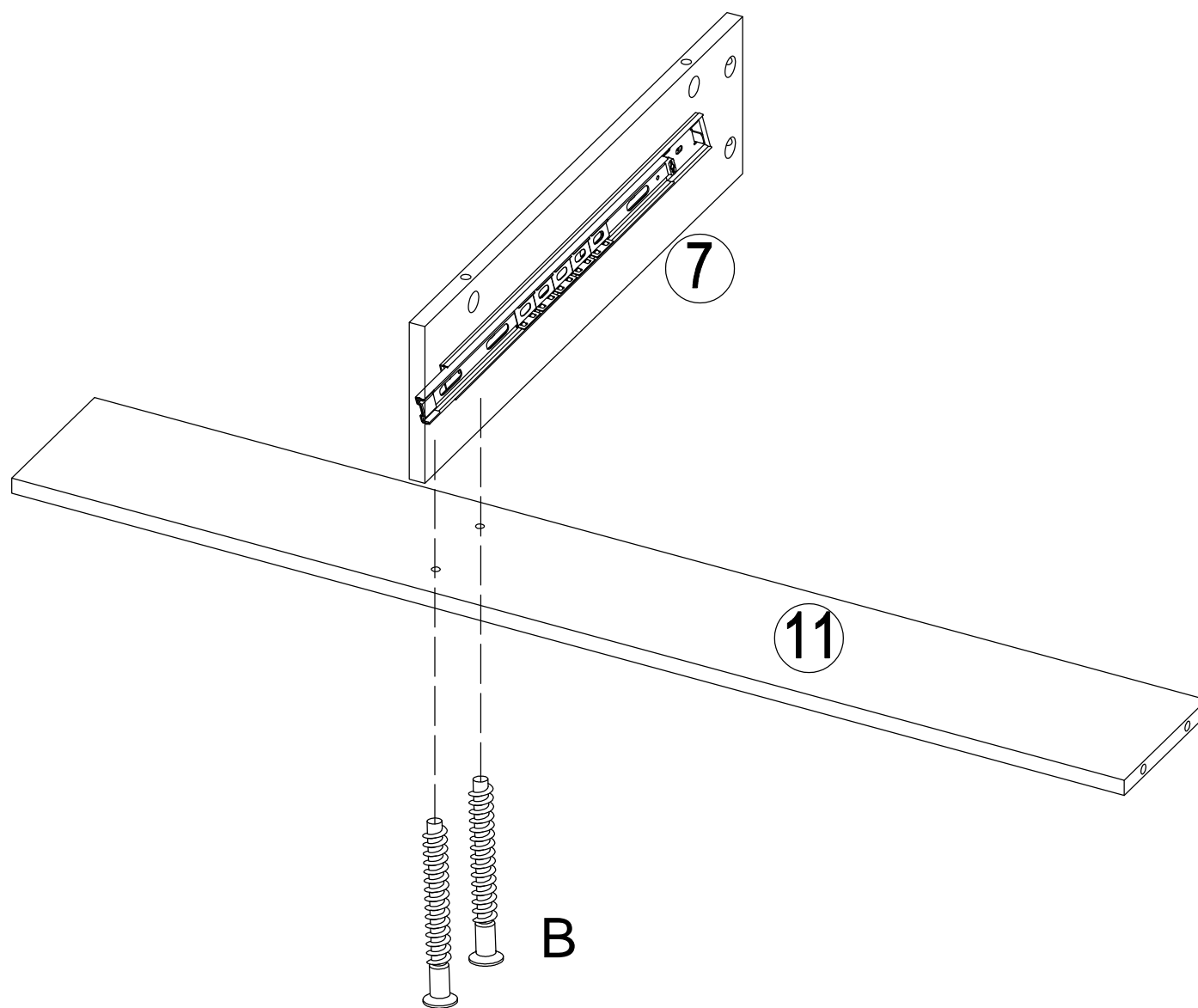
D

16

25



2

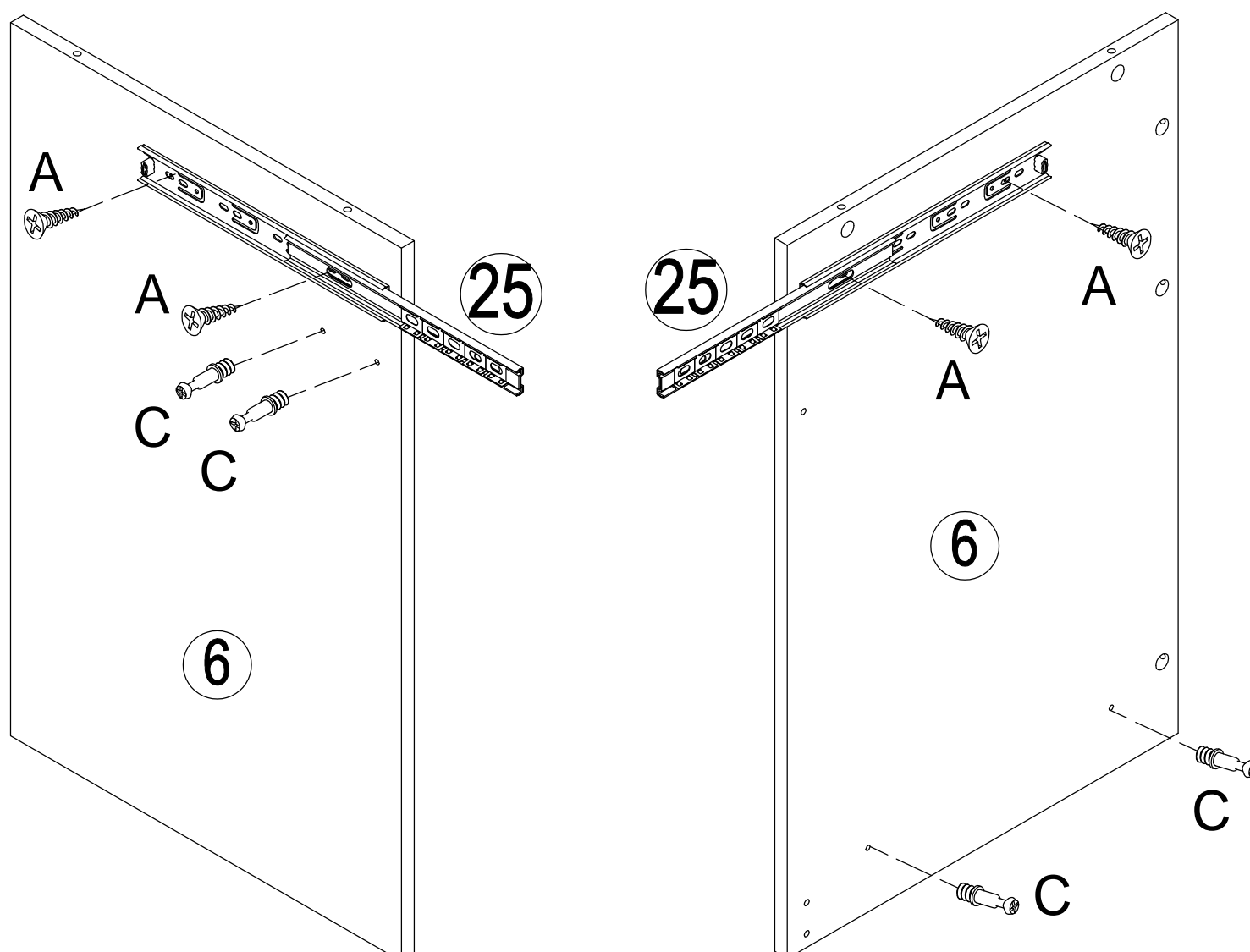


B M5x40

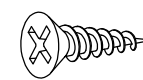


X 2

3



A M3.5x12



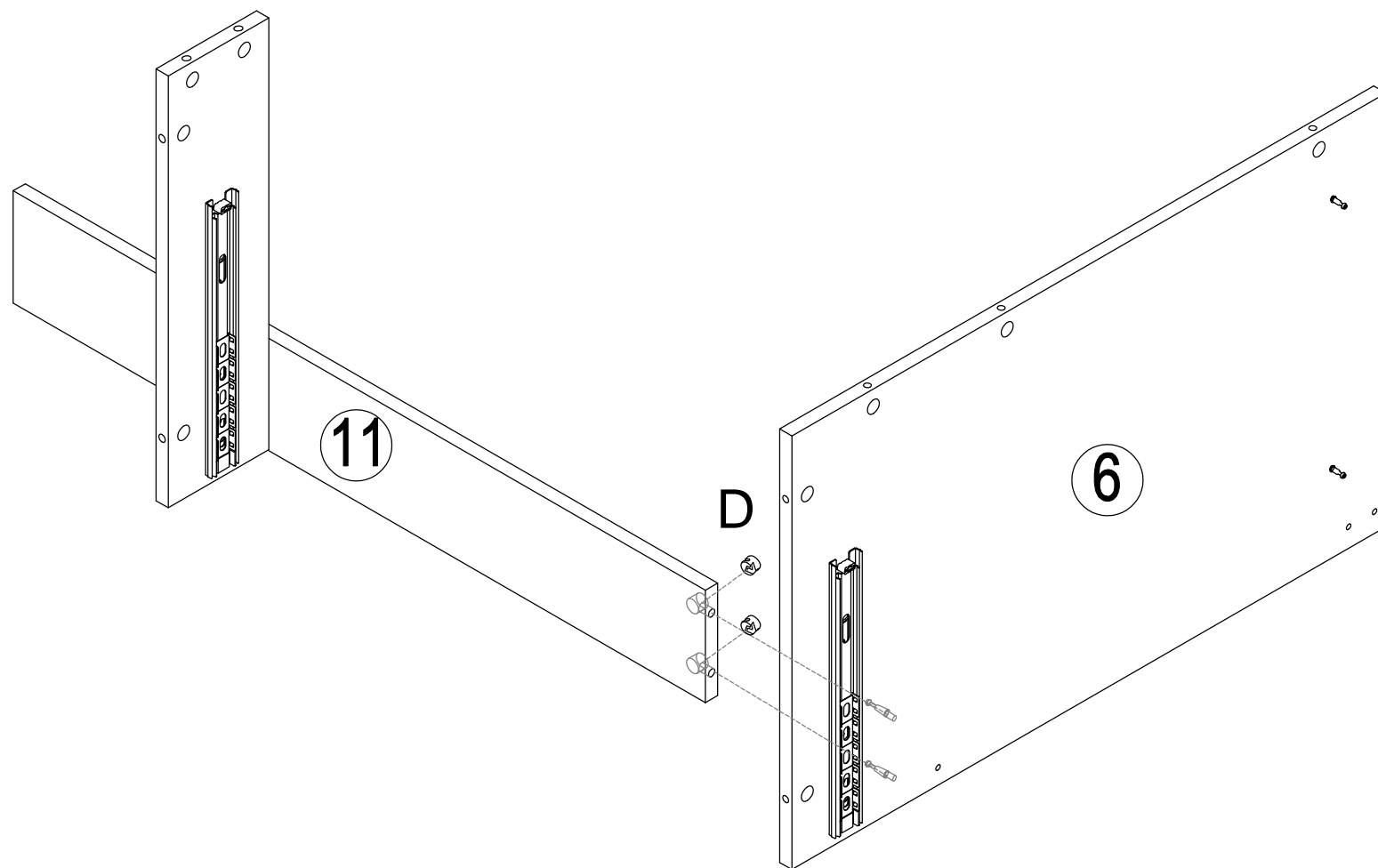
X 4

C M5x25

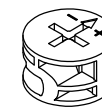


X 4

4

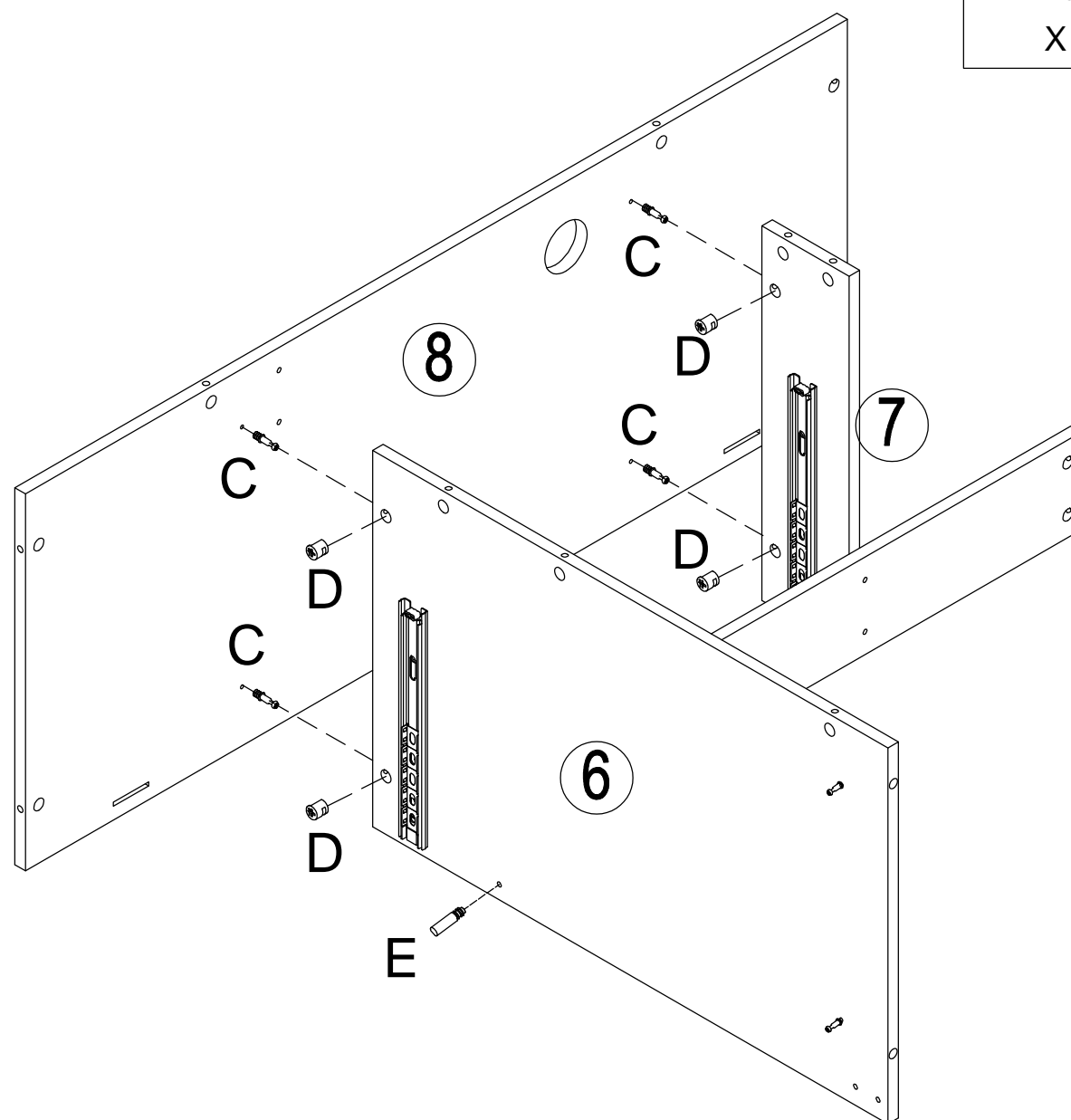


D Ø15x10



X 2

5



C M5x25



X 4

D Ø15x10



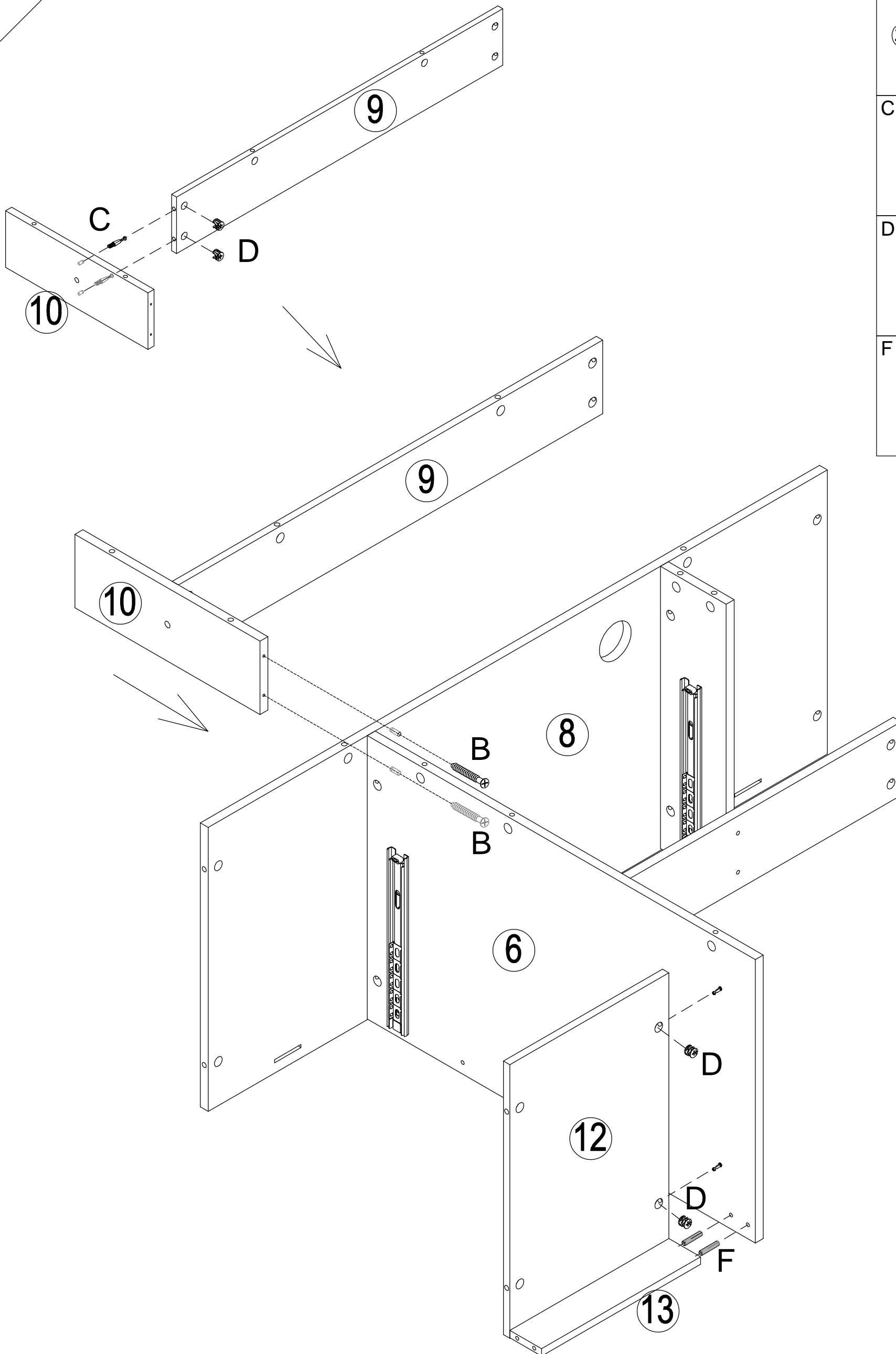
X 4

E M5

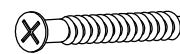


X 1

6



B M5x40



X 2

C M5x25



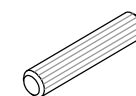
X 2

D Ø15x10



X 4

F Ø6x40



X 2

7

A M3.5x12

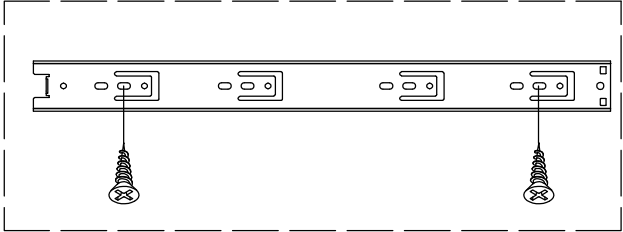
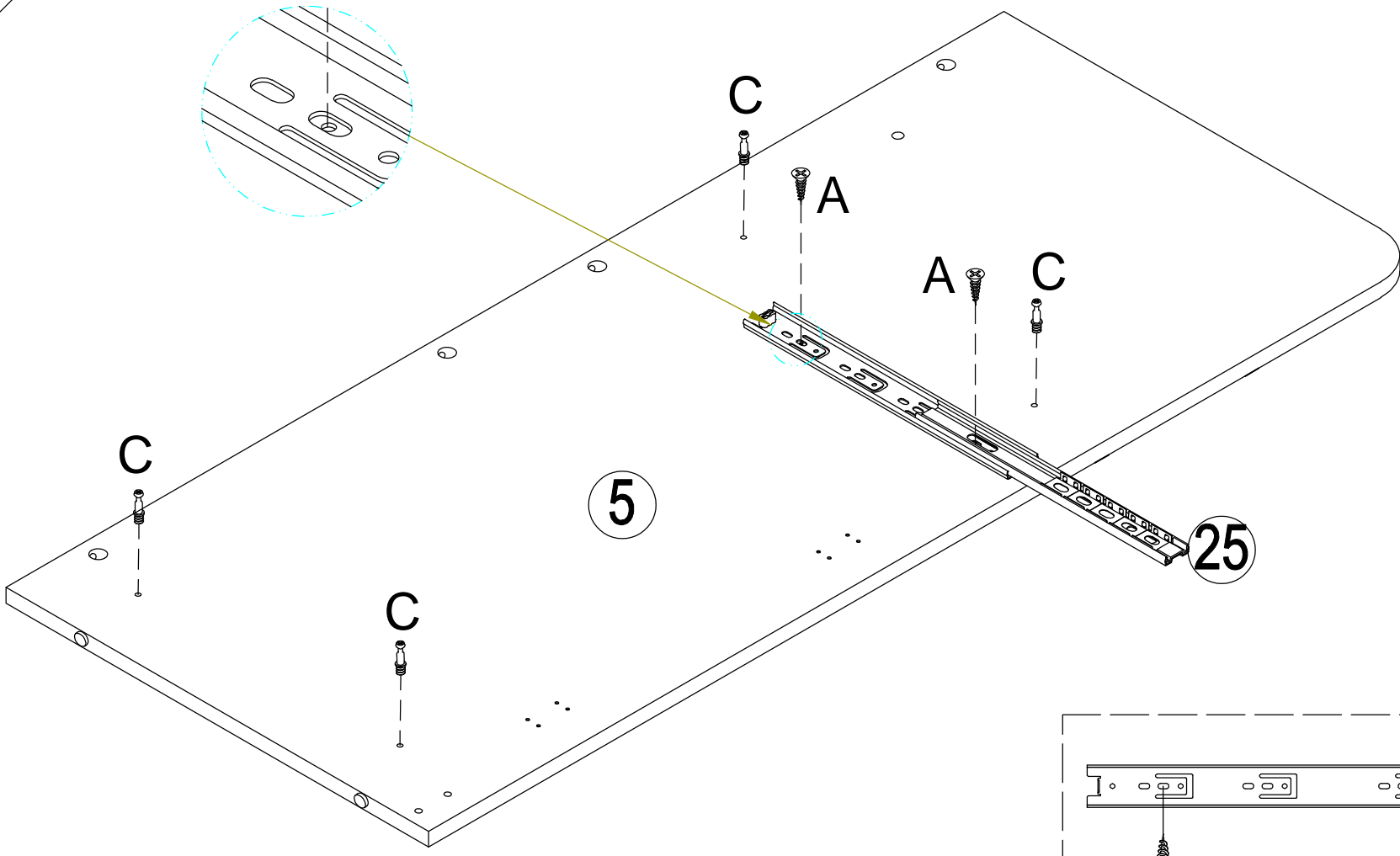


X 2

C M5x25



X 4



8

A M3.5x12

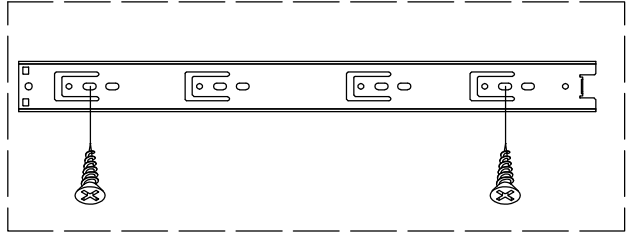
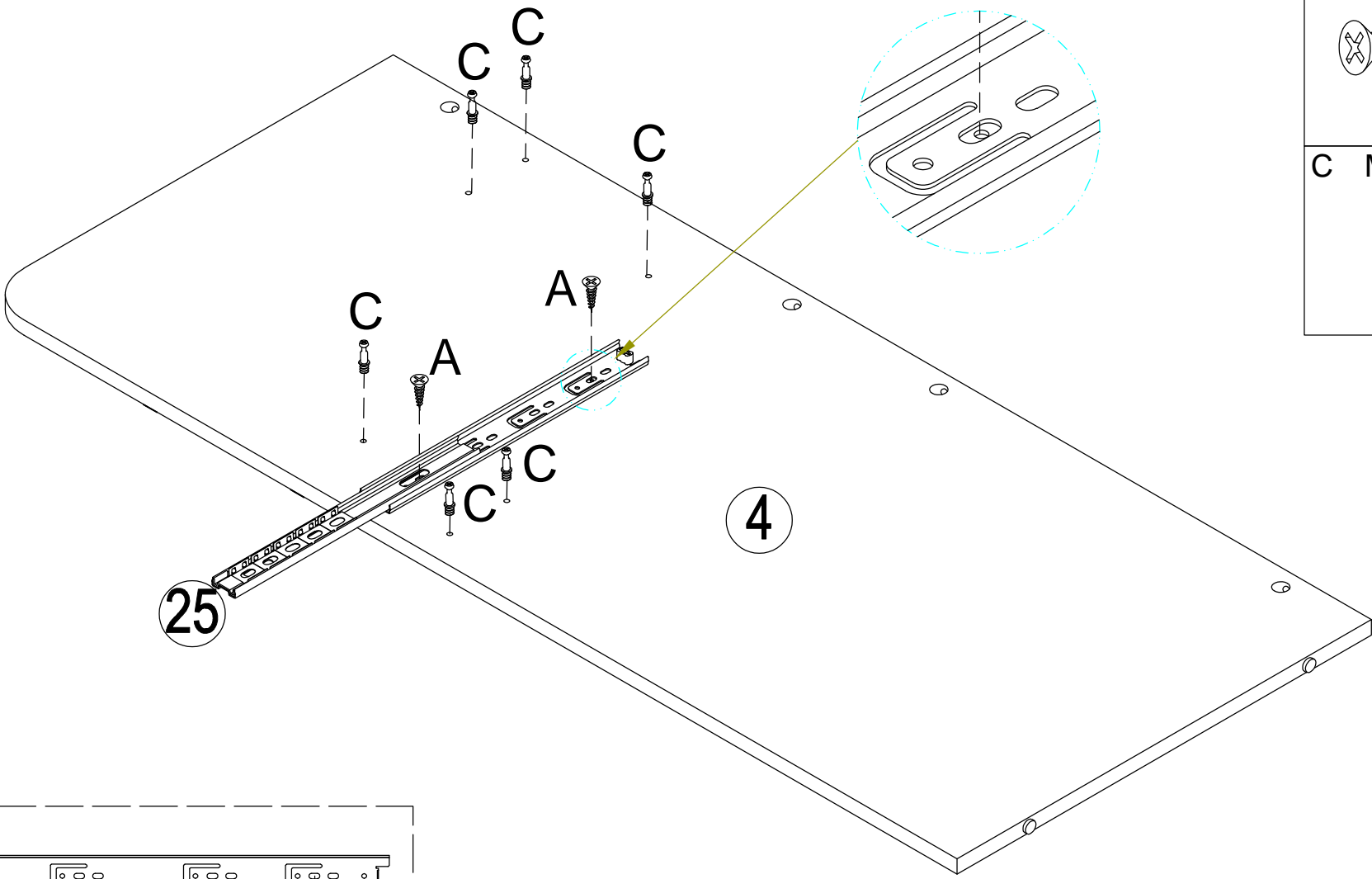


X 2

C M5x25



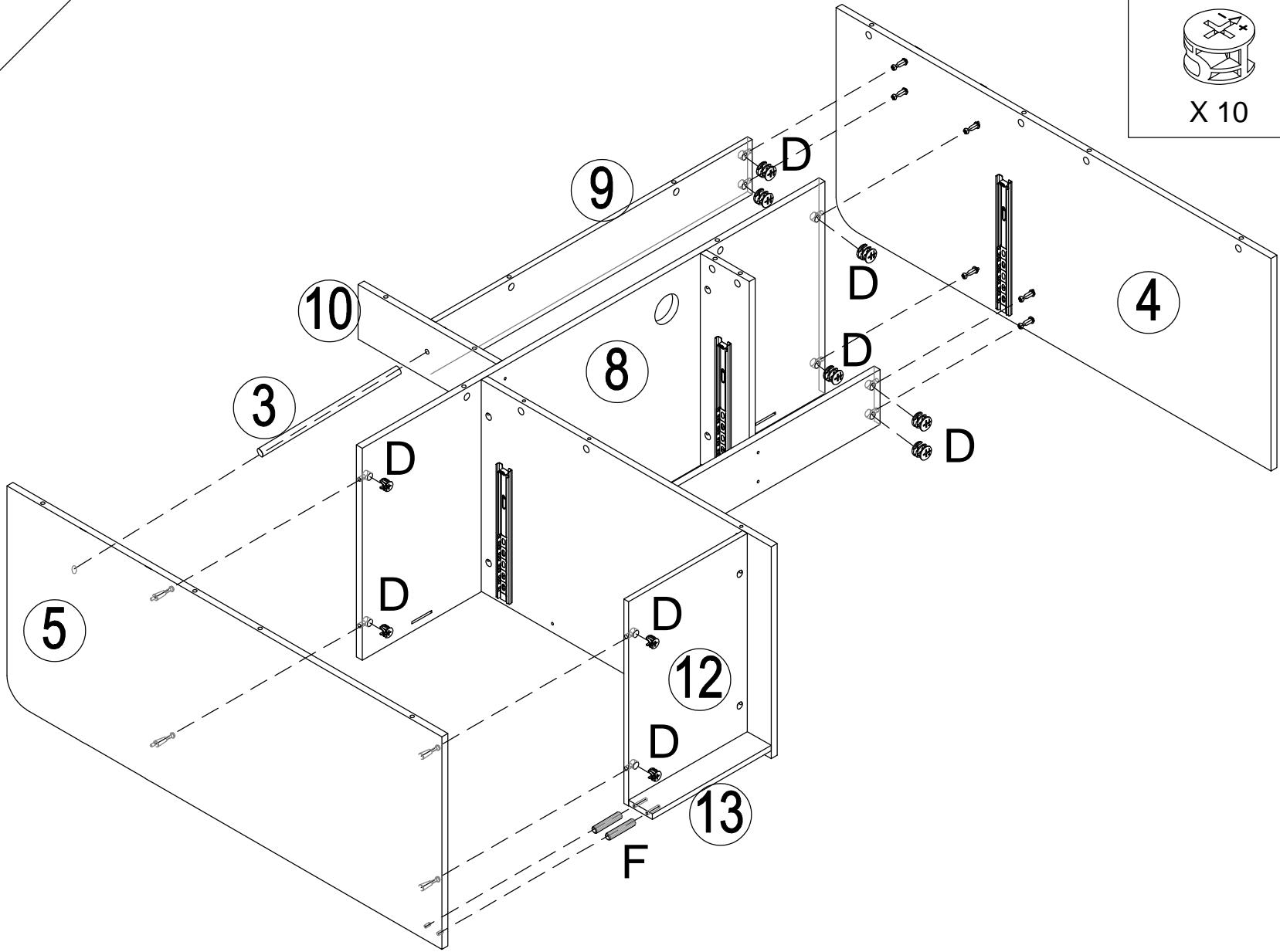
X 6



9

D Ø15x10  
X 10

F Ø6x40  
X 2

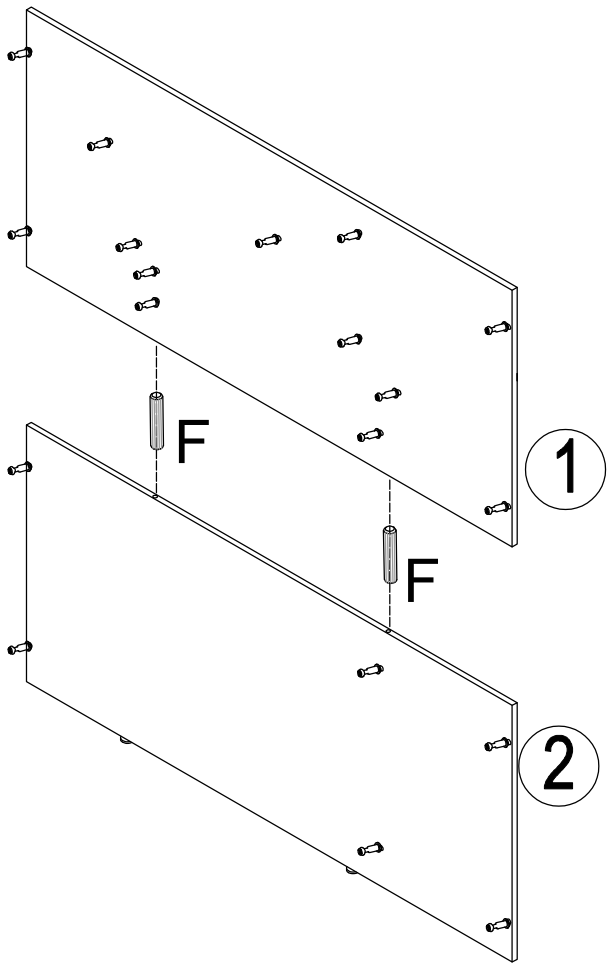
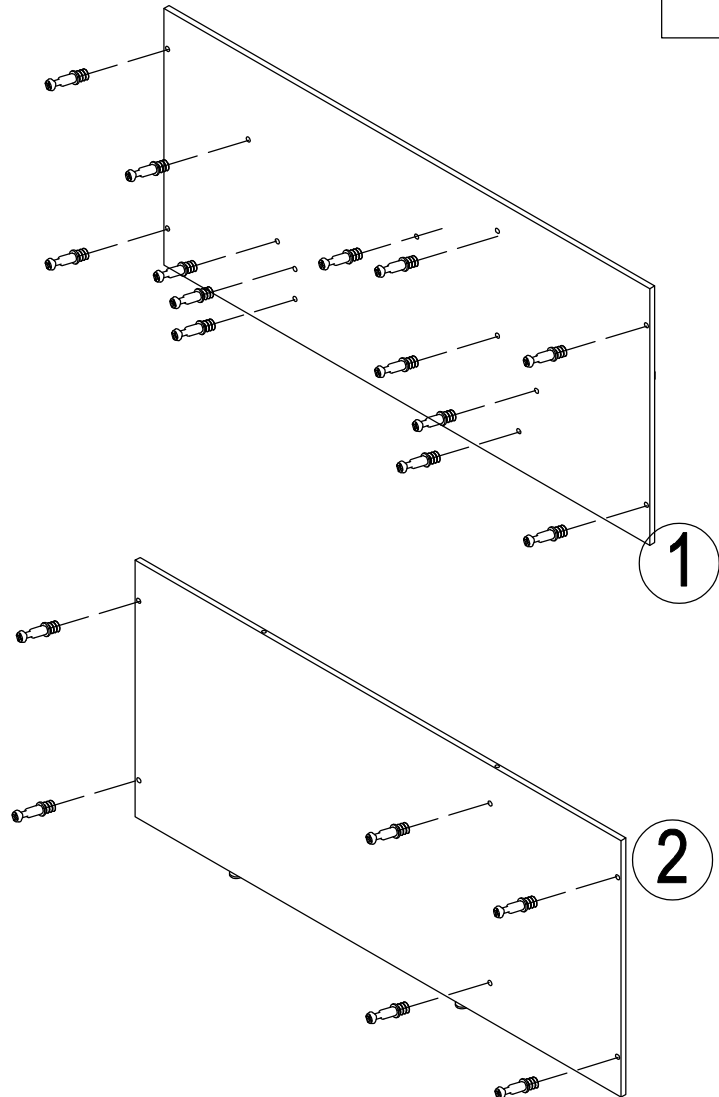


10

C M5x25  
X 19

11

F Ø6x40  
X 2

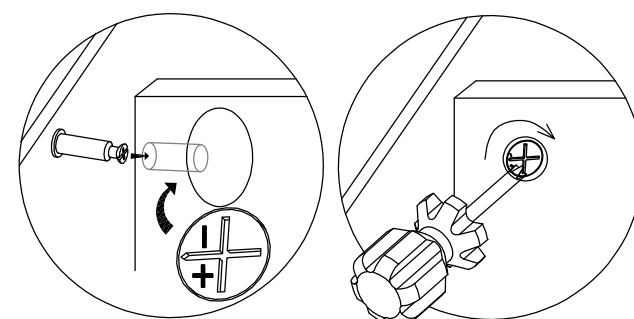
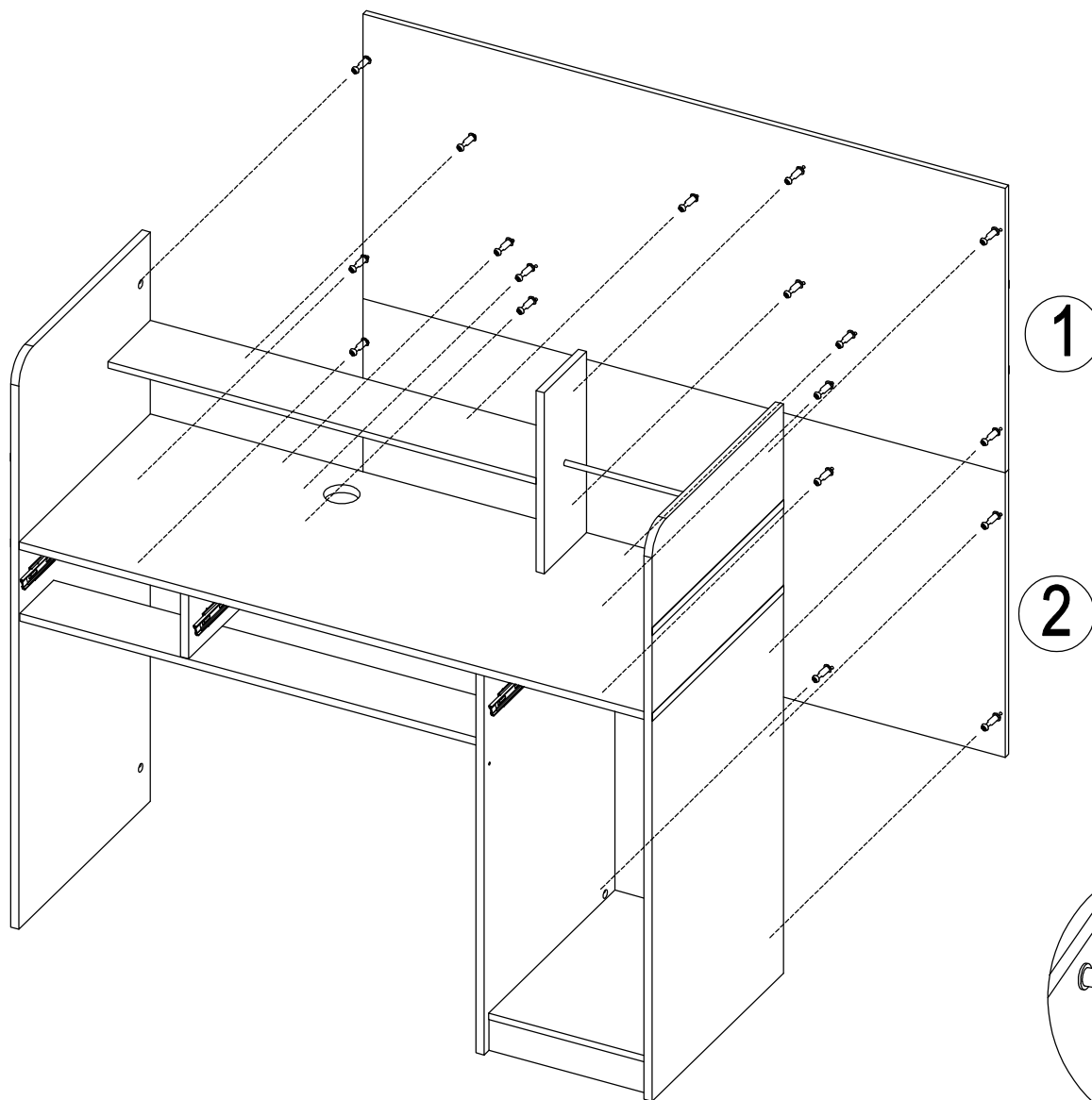


12

D Ø15x10



X 19



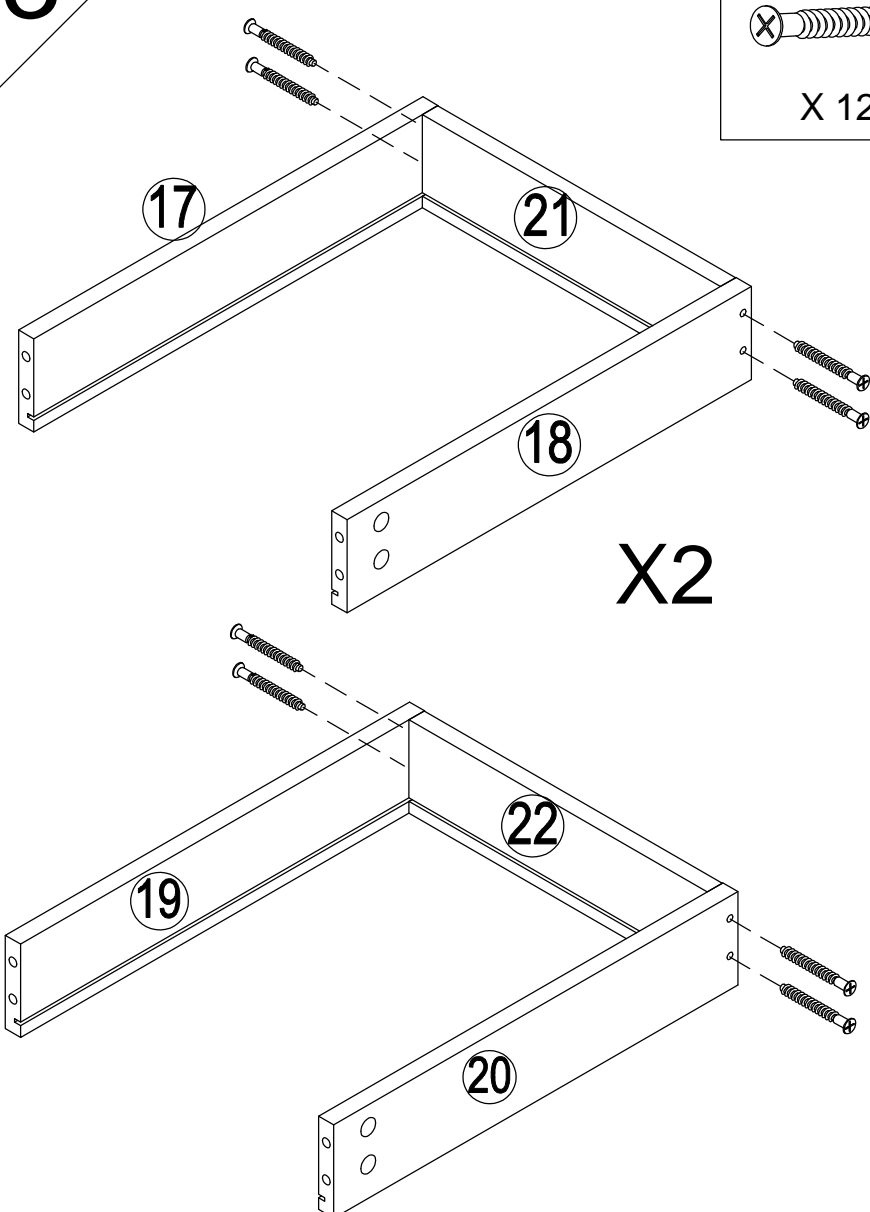
13

B M5x40

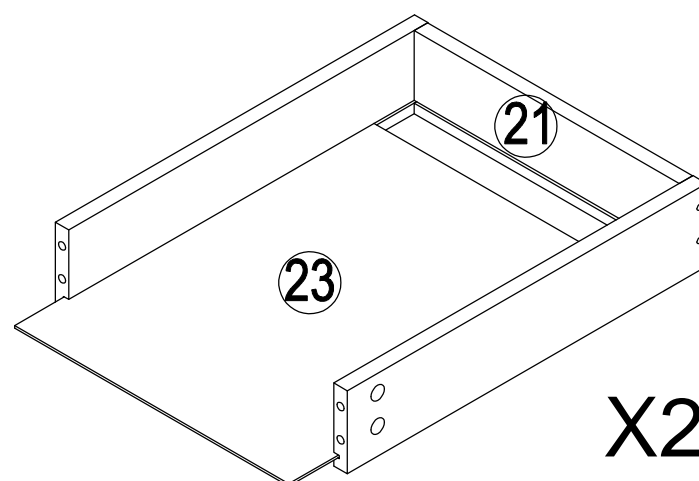


X 12

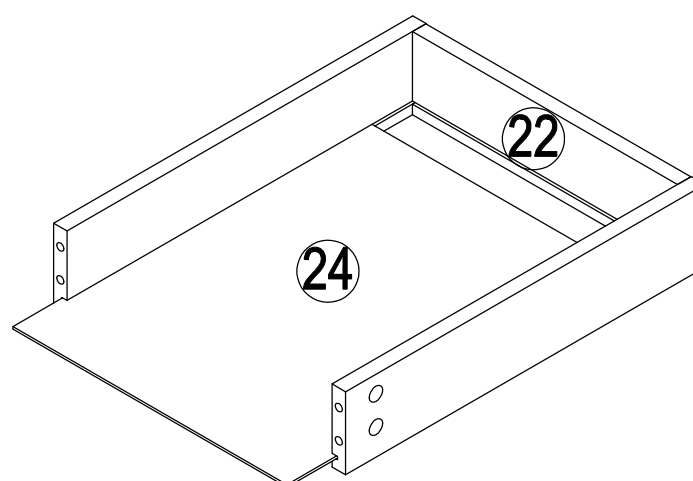
14





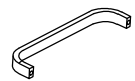

X2

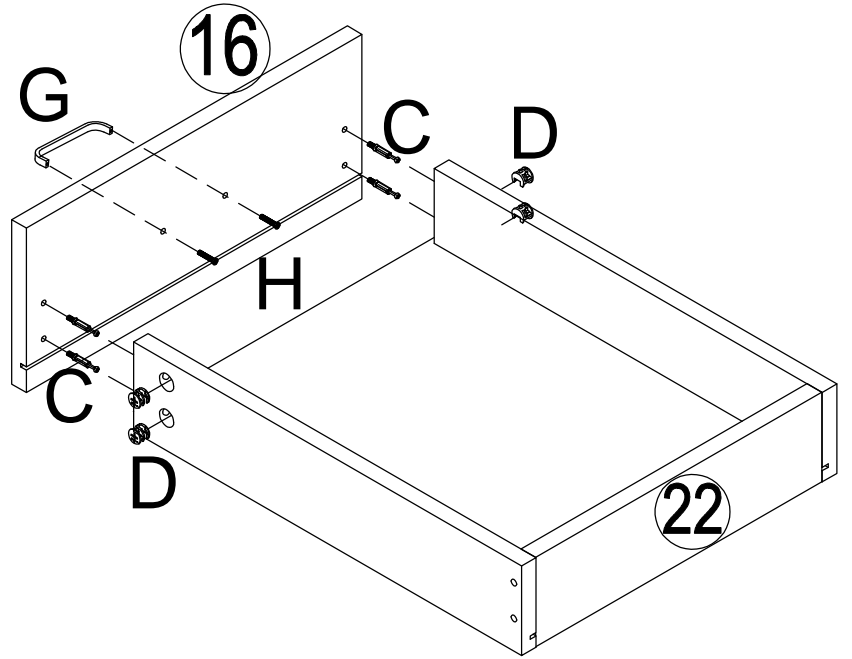
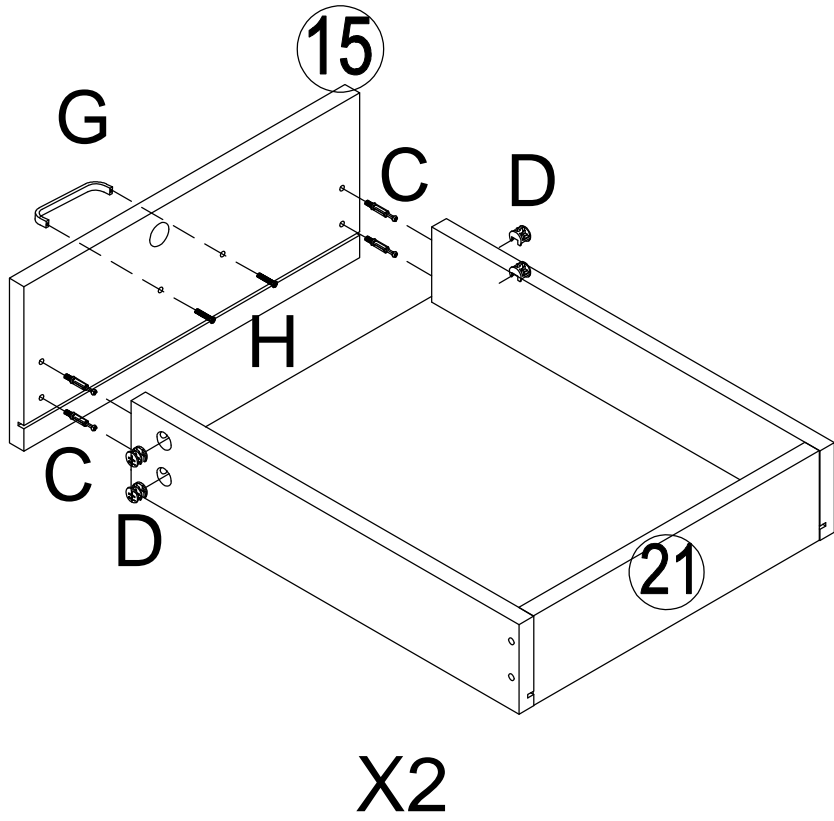


X2




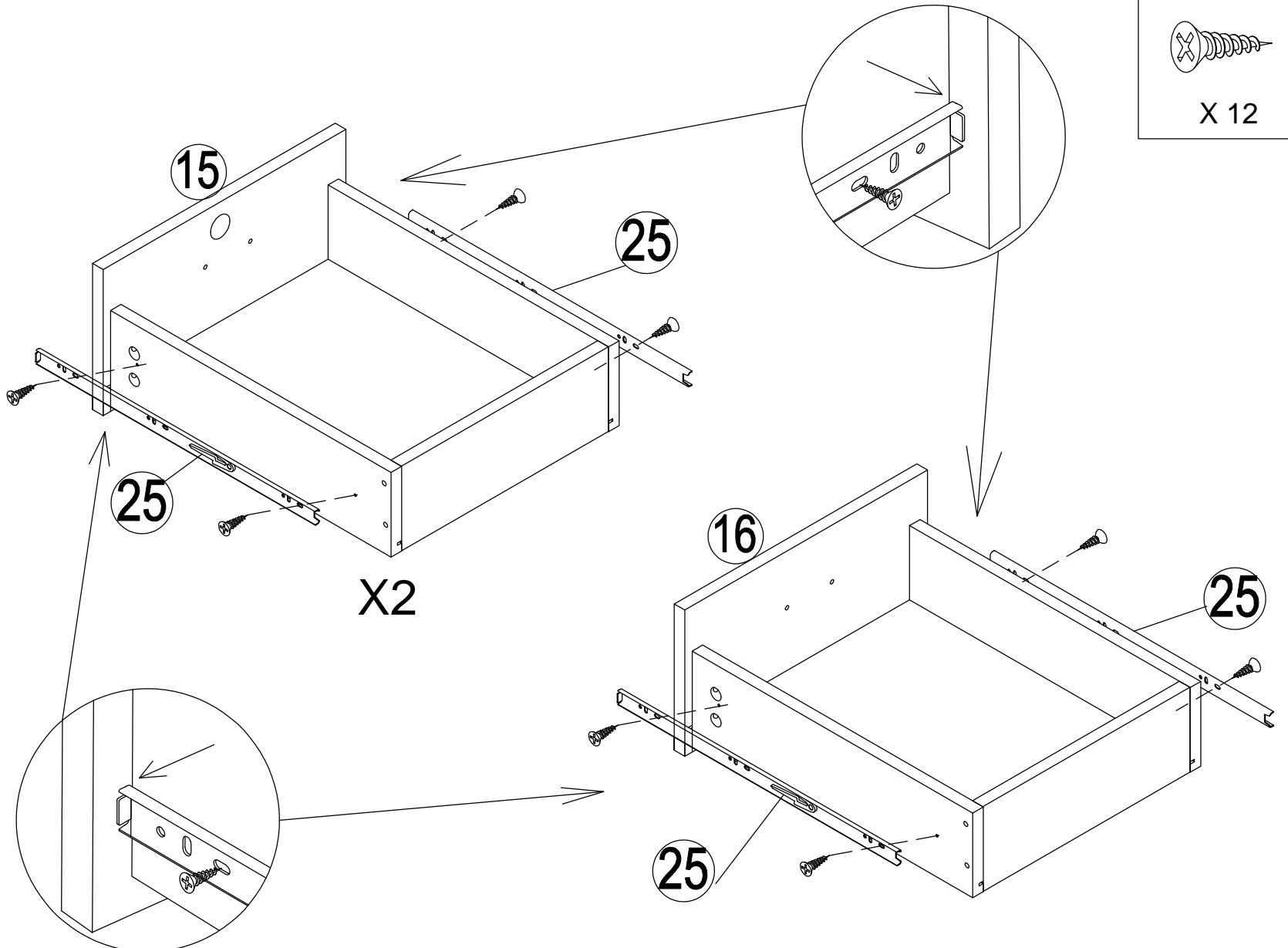
15

|  |   |   |   |
|--|---|---|---|
| C M5x25<br><br>X 12 | D Ø15x10<br><br>X 12 | G M4x96<br><br>X 3 | H M4x18<br><br>X 6 |
|--|---|---|---|

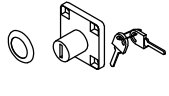
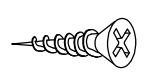


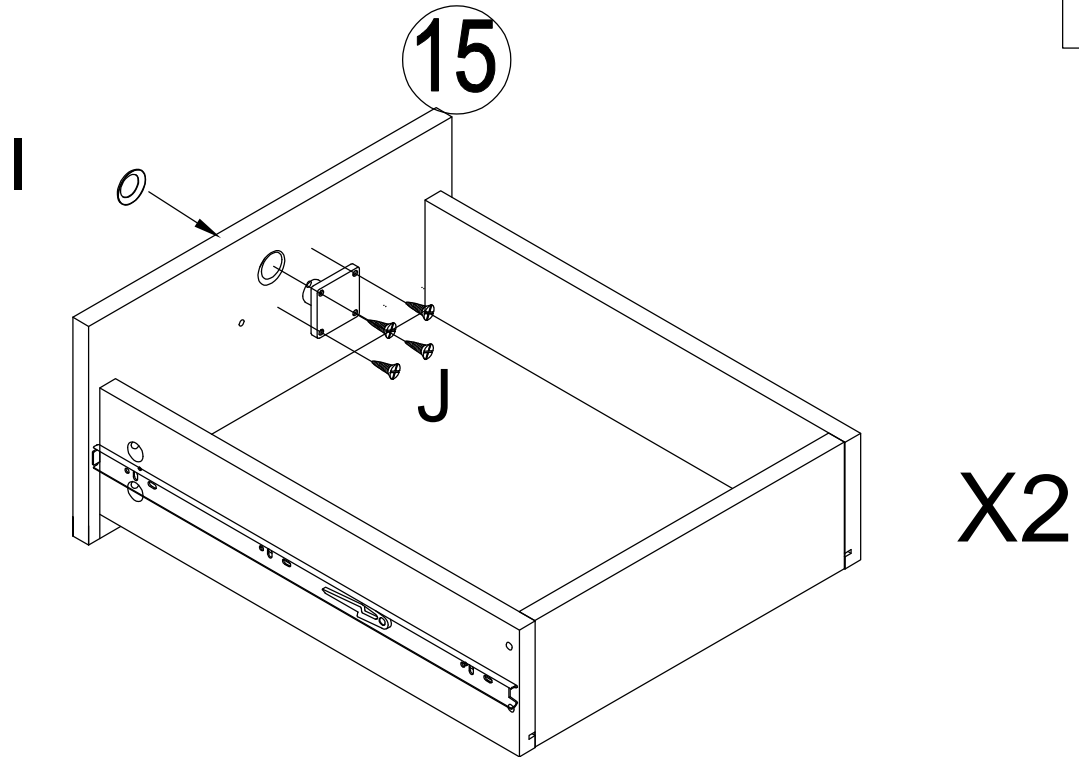
16

|  |
|--|
| A M3.5x12<br><br>X 12 |
|--|

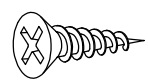
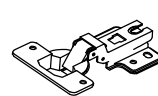
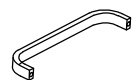
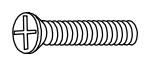


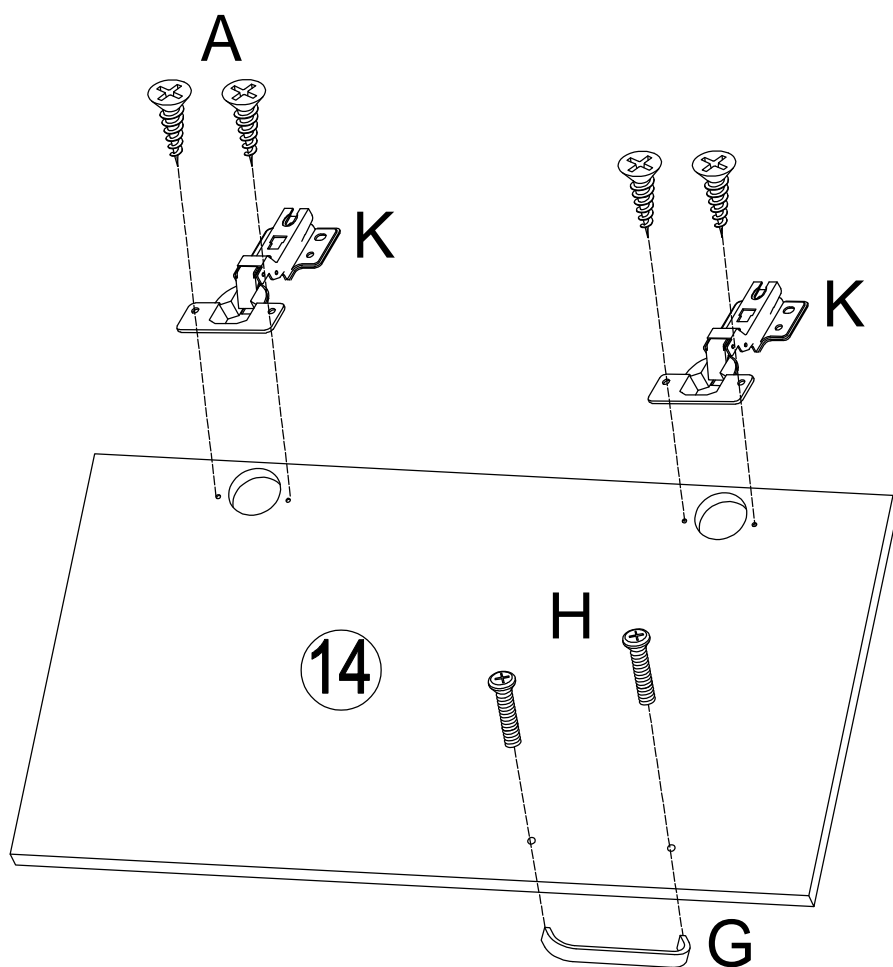
17

|   |   |
|---|---|
| <p>I</p>  <p>X 2</p> | <p>J M3x18</p>  <p>X 8</p> |
|---|---|

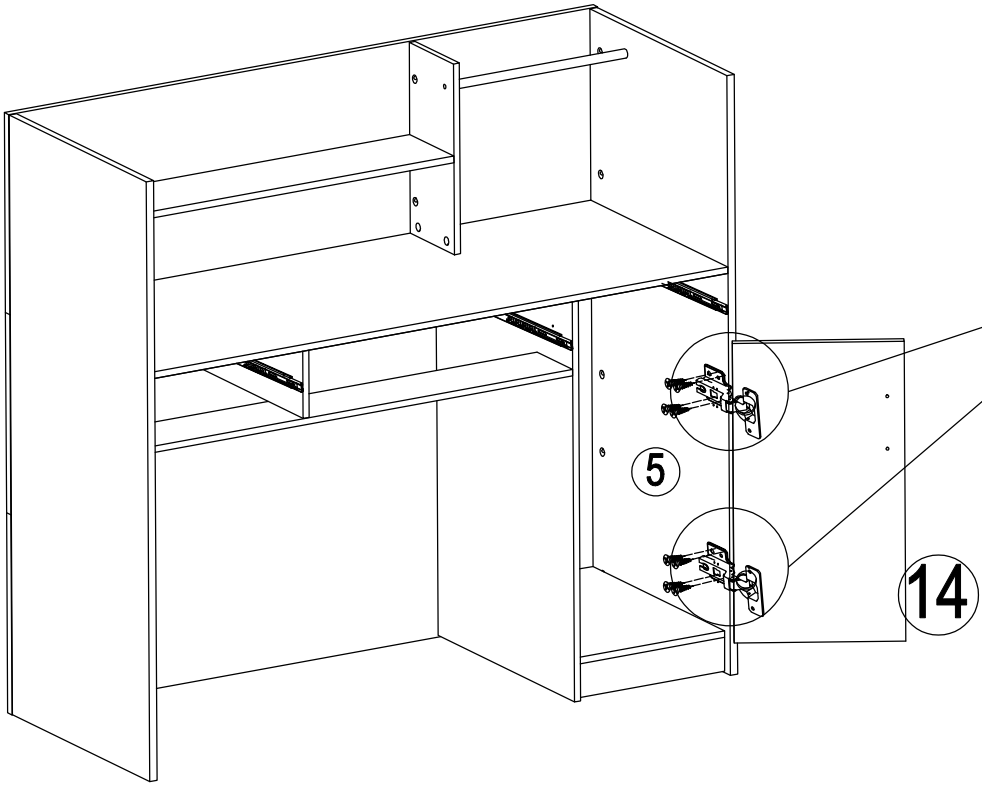


18

|   |  |   |   |
|---|--|---|---|
| <p>A M3.5x12</p>  <p>X 4</p> | <p>K DW</p>  <p>X 2</p> | <p>G M4x96</p>  <p>X 1</p> | <p>H M4x18</p>  <p>X 2</p> |
|---|--|---|---|



19

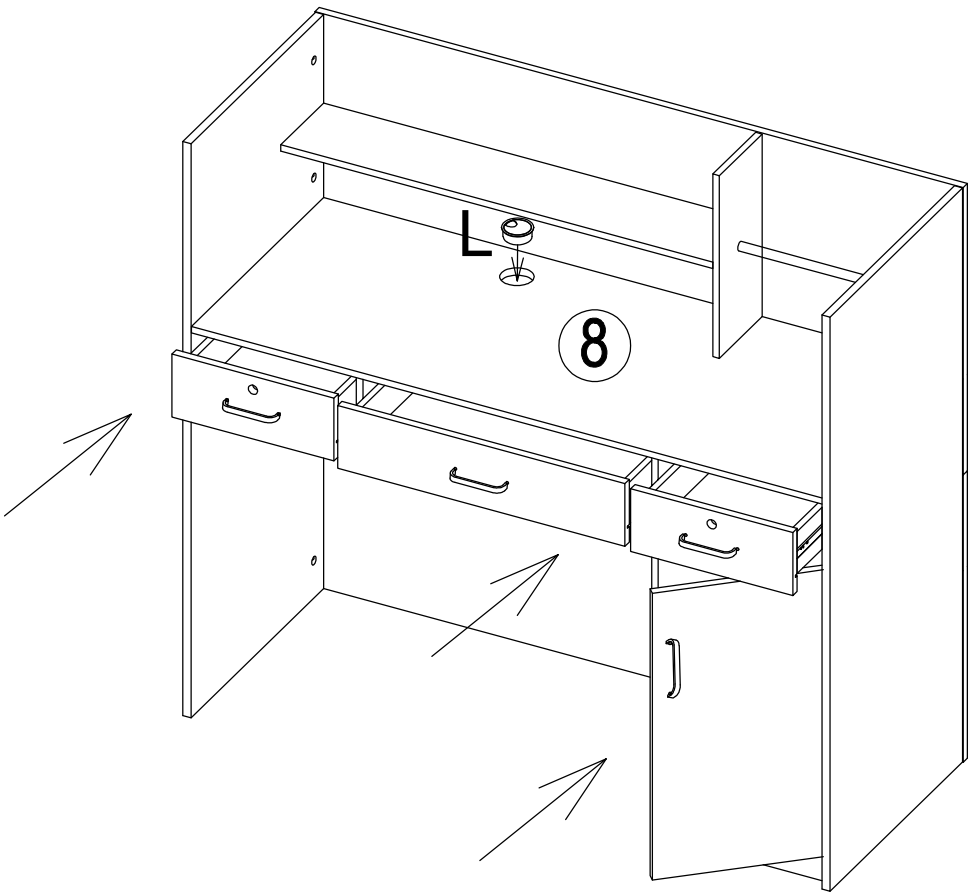


A M3.5x12

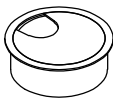


X 8

20



L Ø60



X 1

M



X 20

