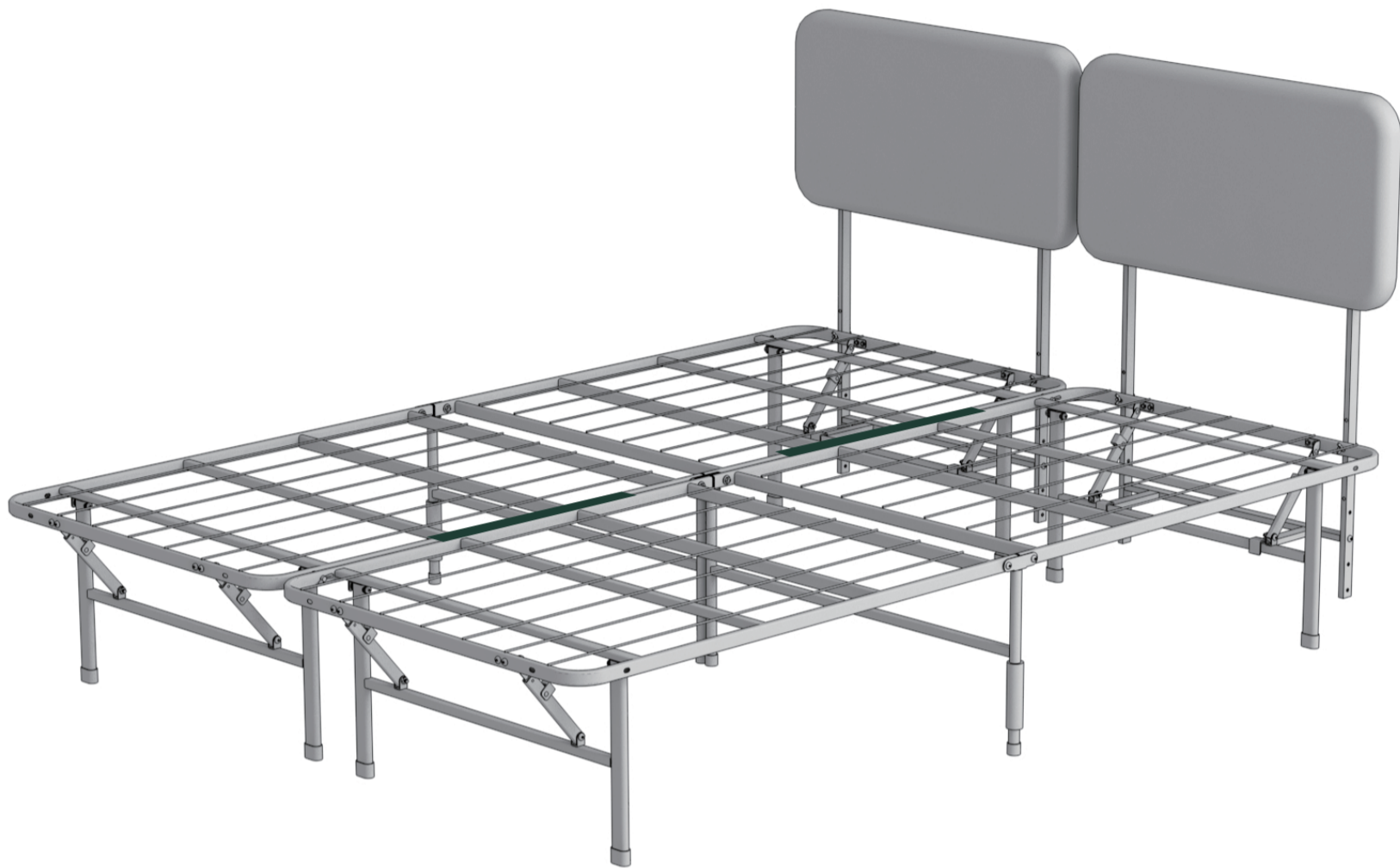
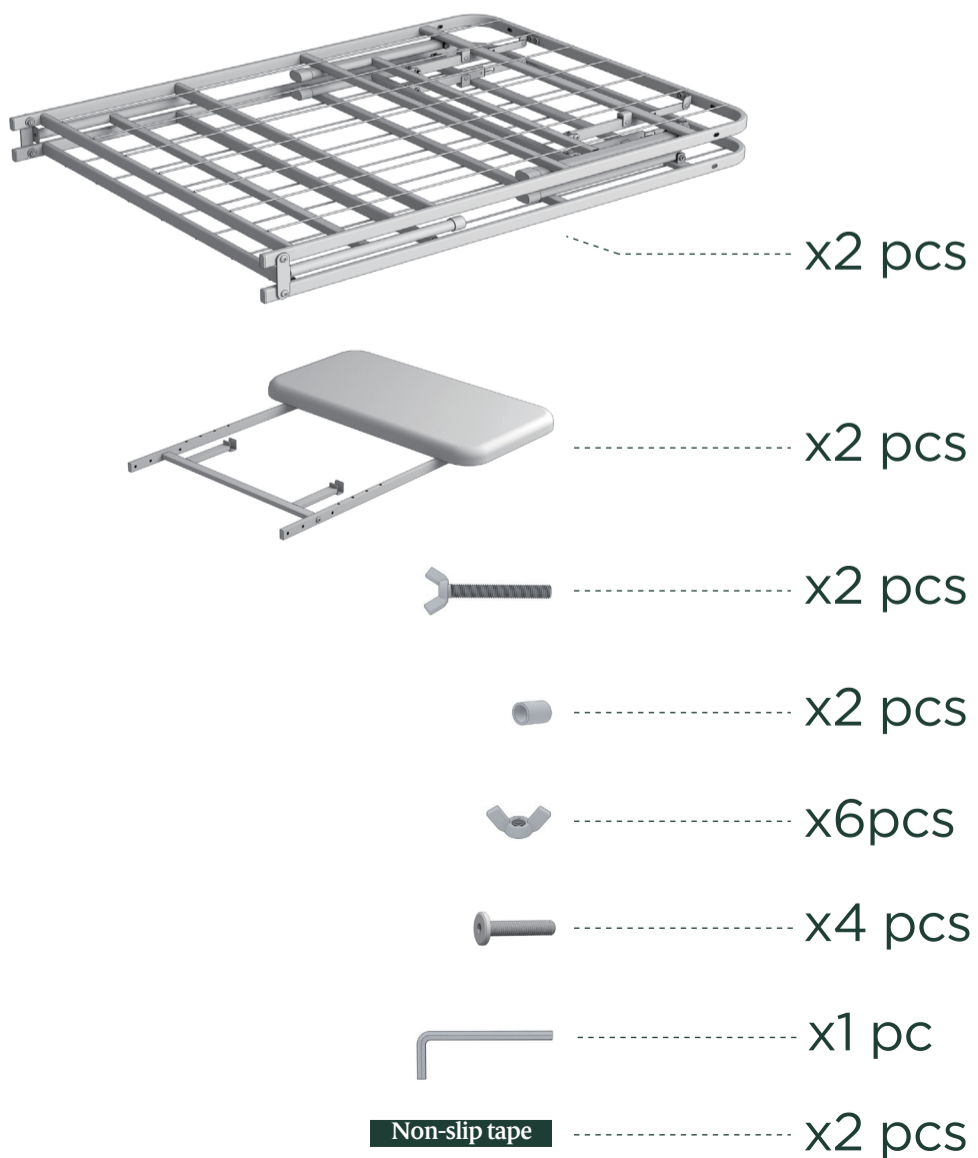


Easy as 1-2-3 Assembly Instruction

Numbers must Match for Secure Assembly



Components



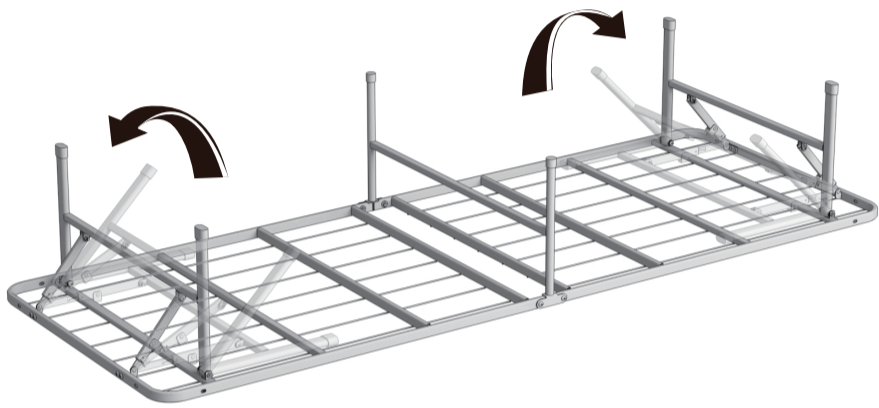
1



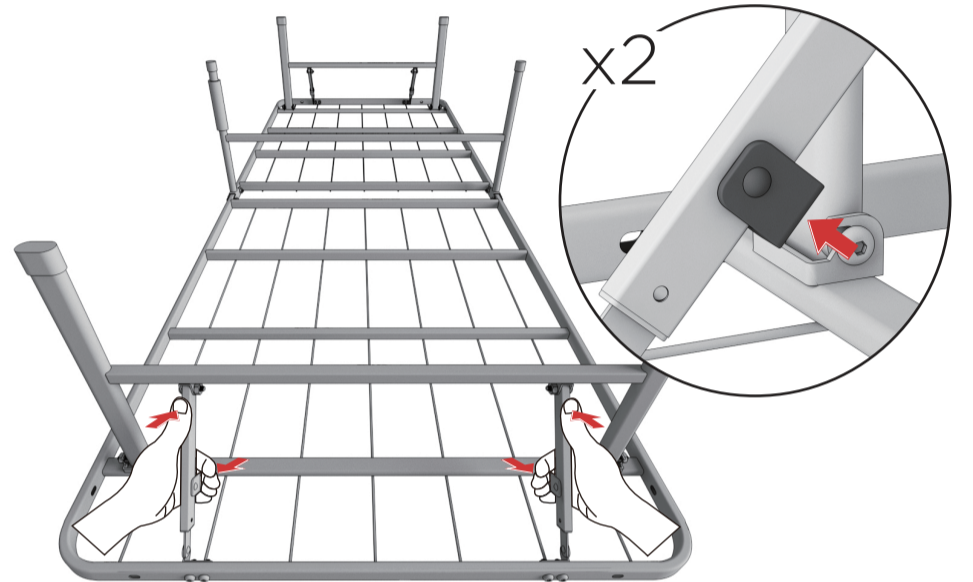
x2

2

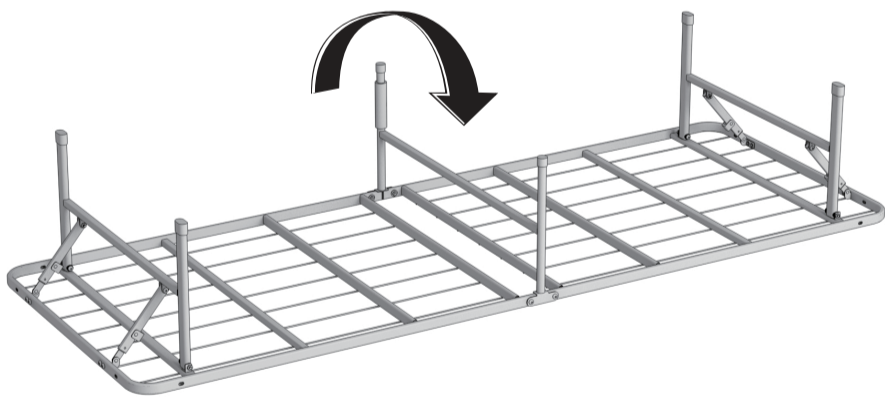
Open: Unfold the leg until you hear a click



Close: Press down on the clip until you hear a click, then fold the legs down.

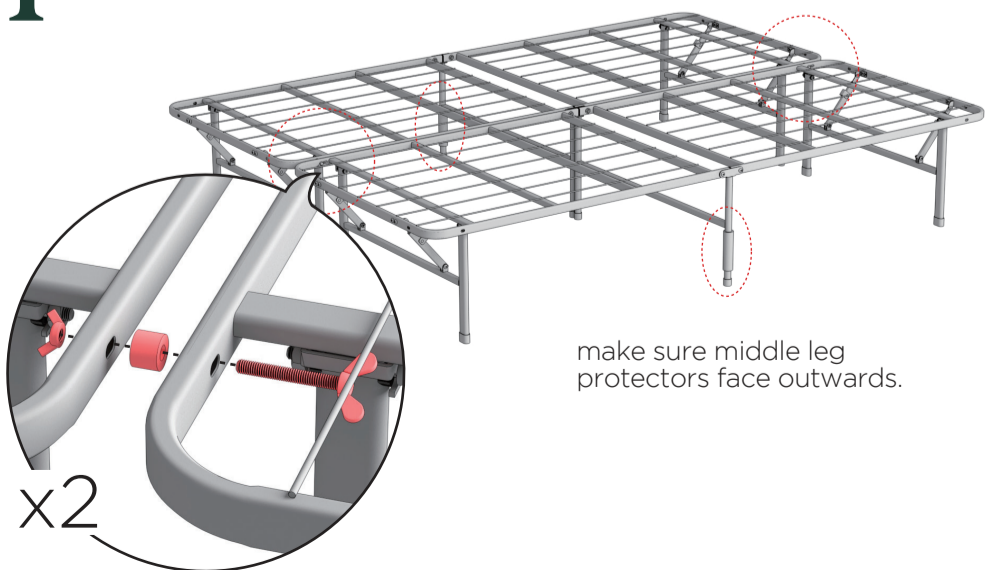


3

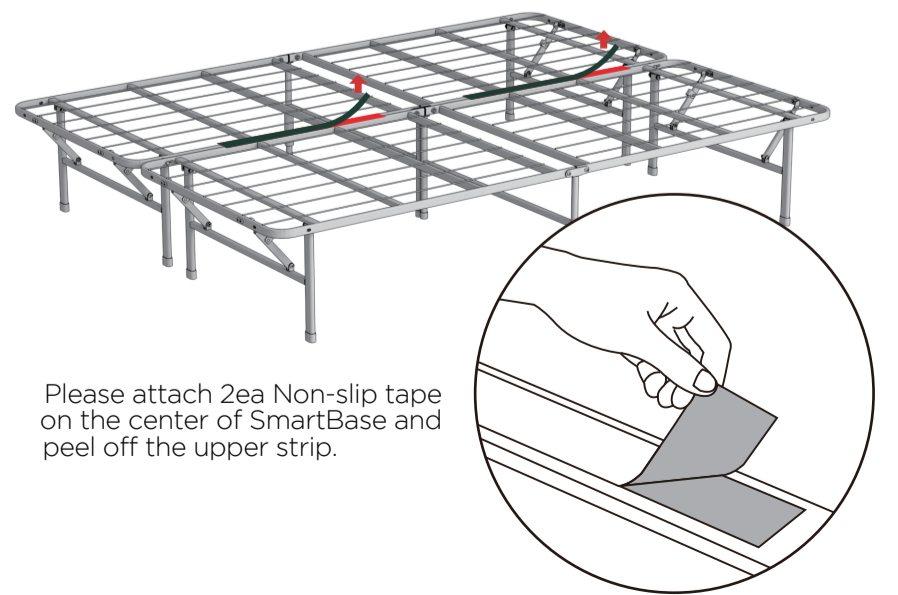


x2

4

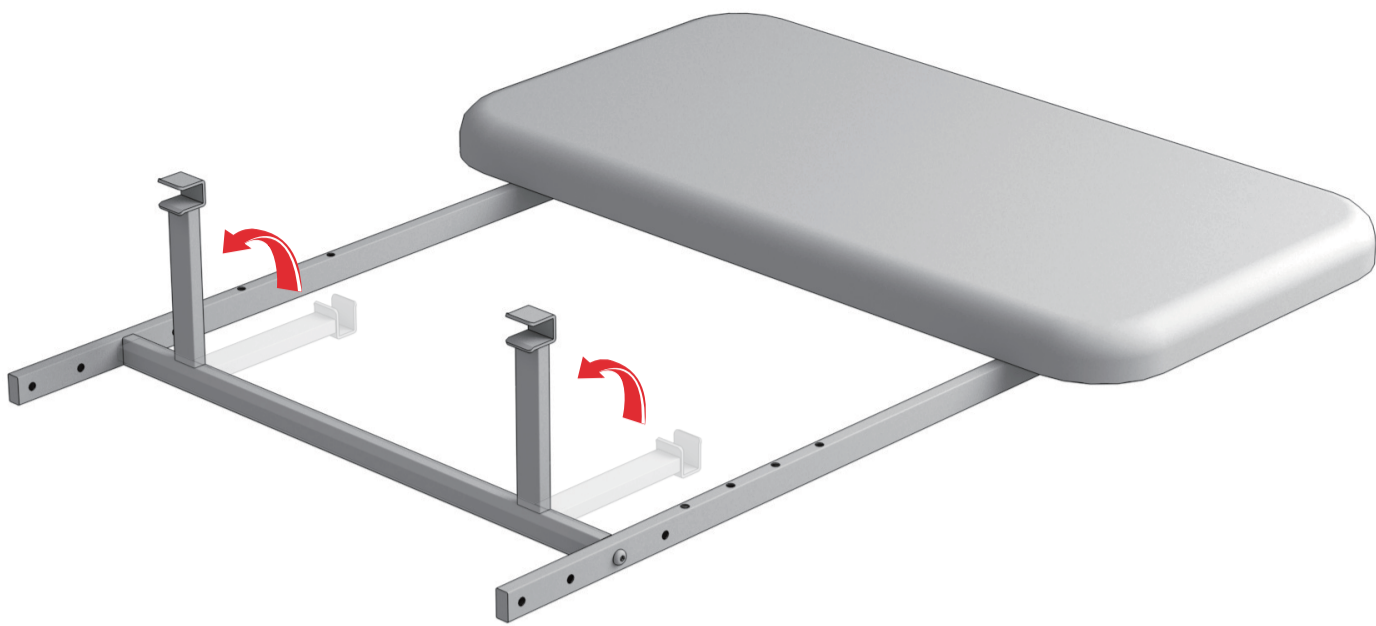


make sure middle leg protectors face outwards.



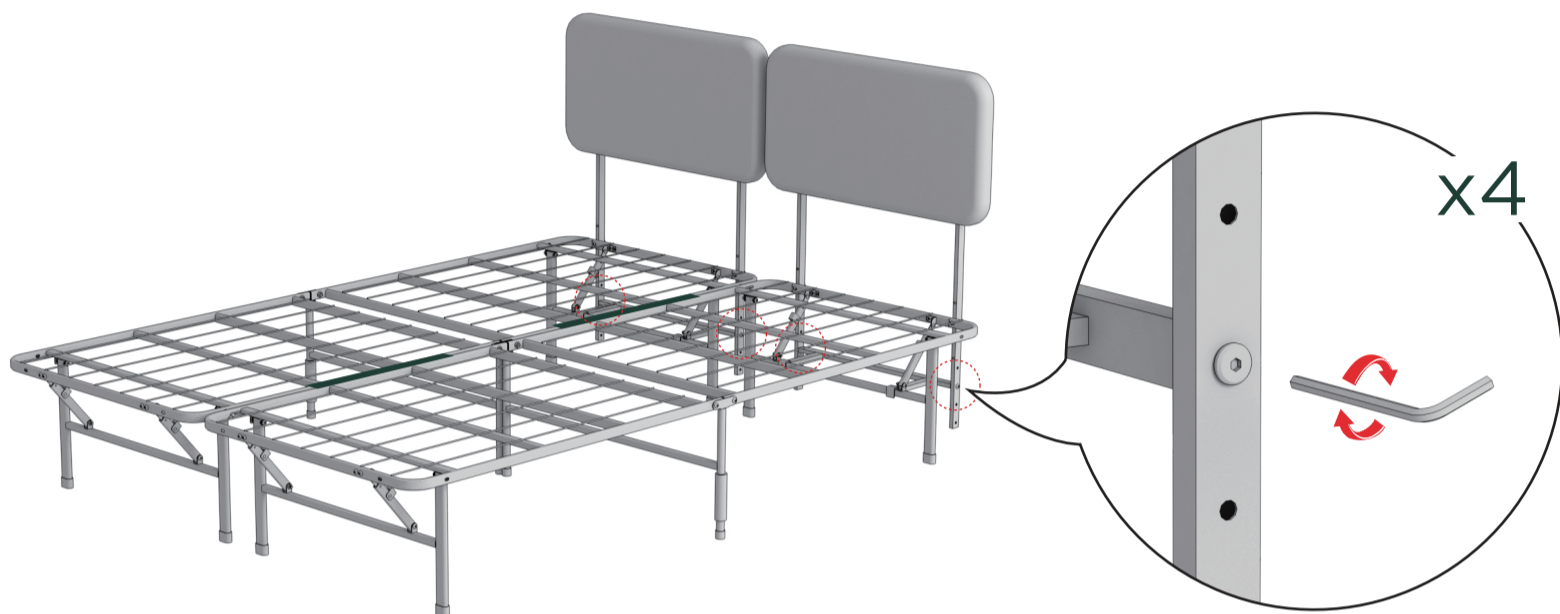
Please attach 2ea Non-slip tape on the center of SmartBase and peel off the upper strip.

7



x2

8



9

