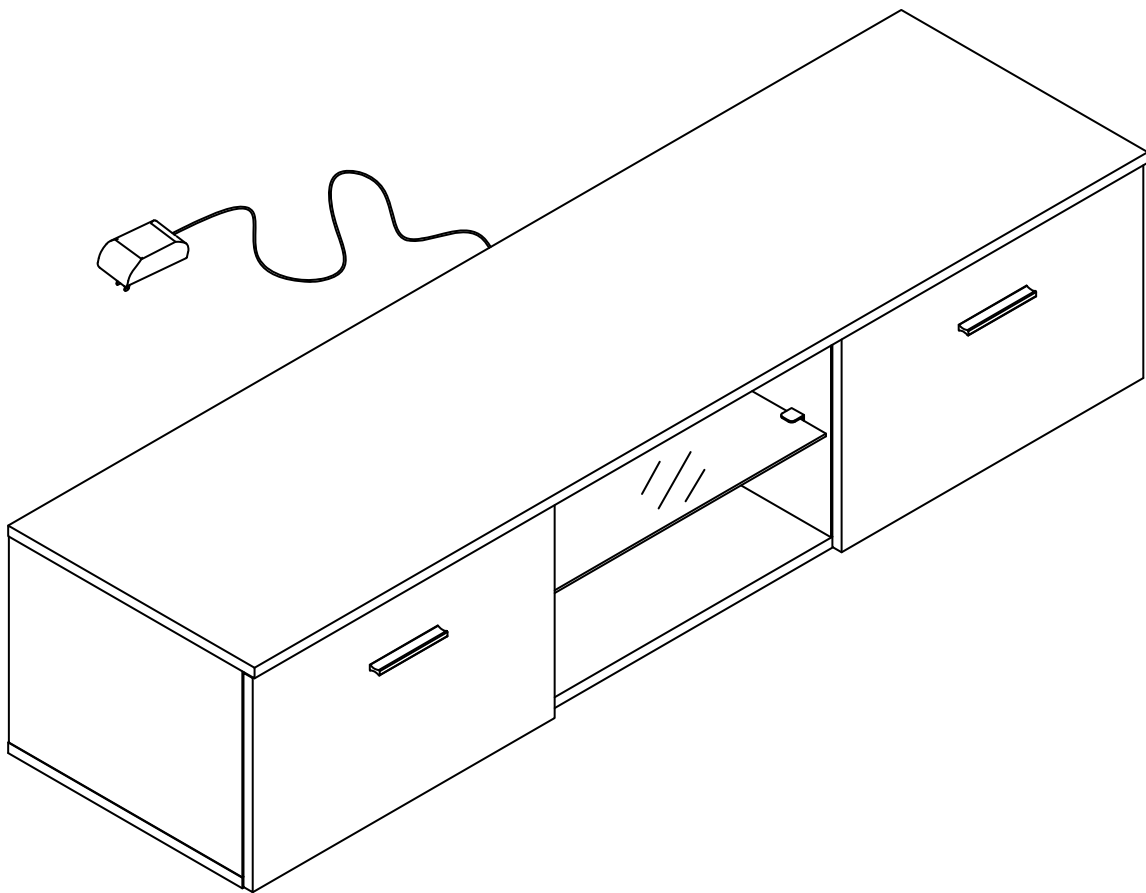


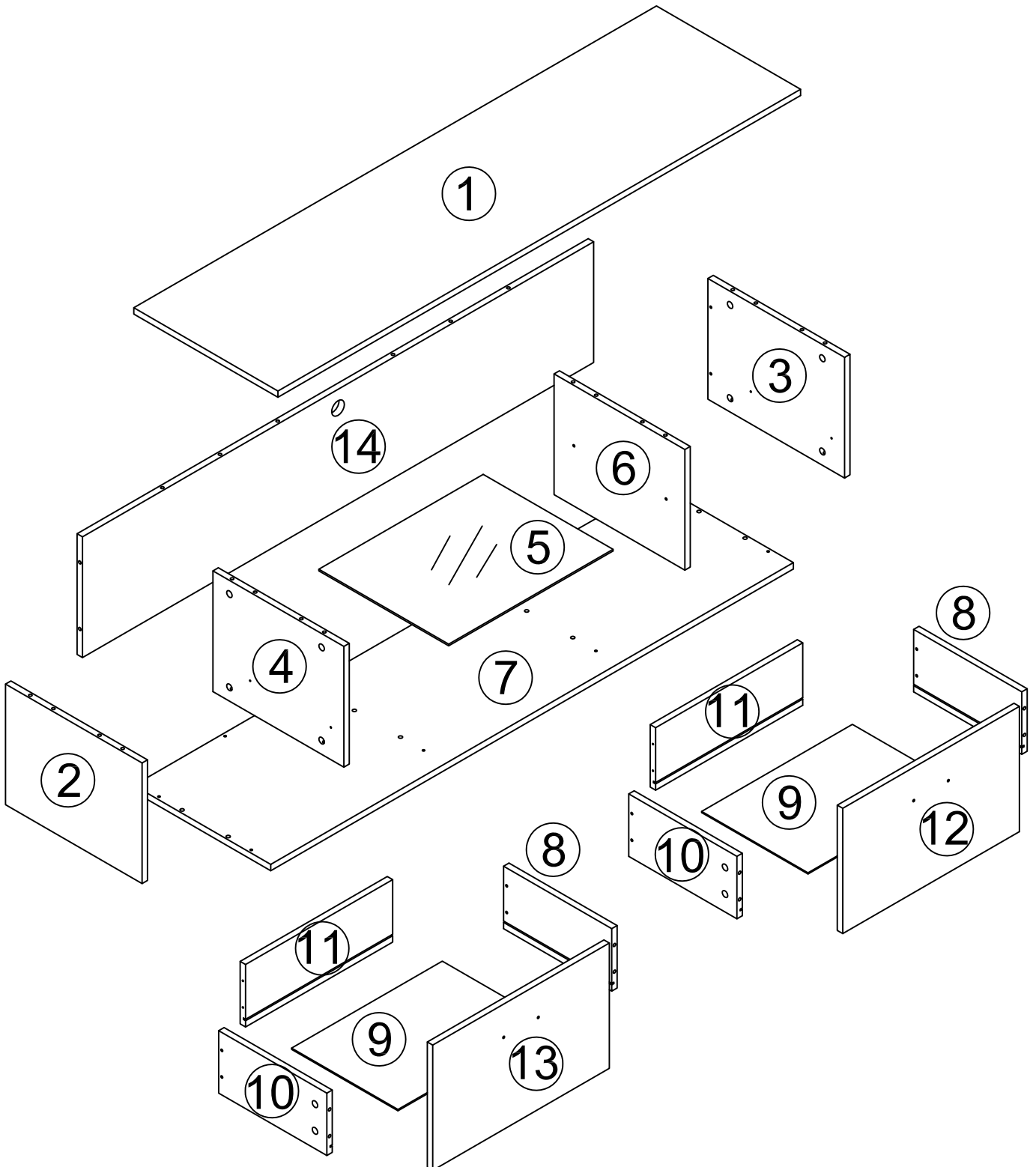
1

# ASSEMBLY INSTRUCTIONS

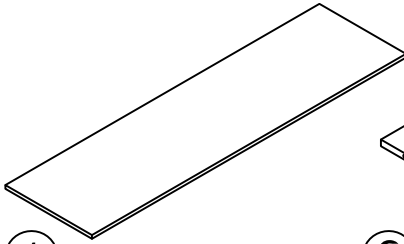
---



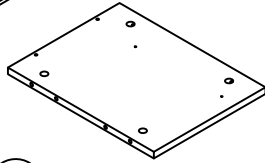
# BOARD IDENTIFICATION



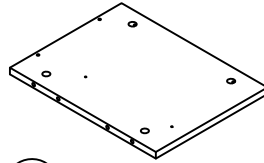
# BOARD IDENTIFICATION



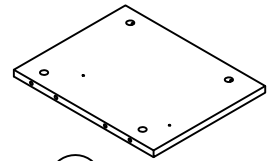
① MAIN PANE



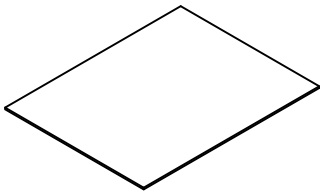
② LEFT SIDE PANEL



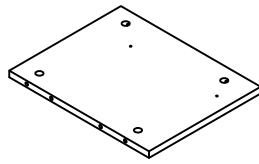
③ RIGHT SIDE PANEL



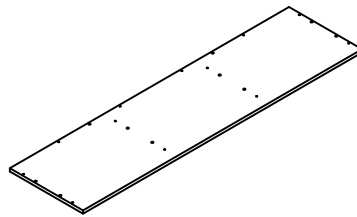
④ MIDDLE LEFT PANEL



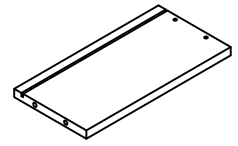
⑤ TEMPERED GLASS



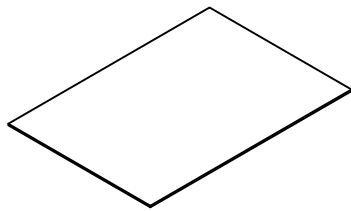
⑥ MIDDLE RIGHT PANEL



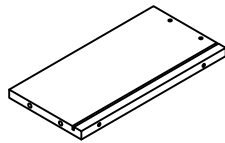
⑦ BOTTOM



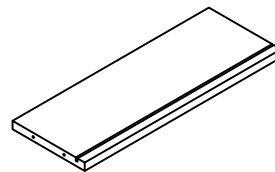
⑧ DRAWER RIGHT  
QTY:2



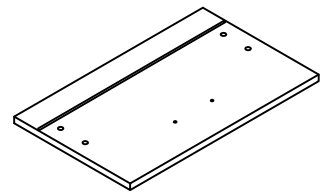
⑨ DRAWER BOTTOM  
QTY:2



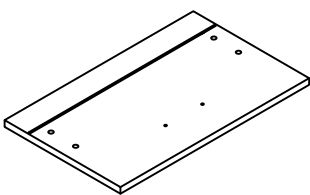
⑩ DRAWER RIGHT  
QTY:2



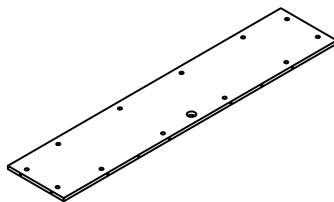
⑪ DRAWER BACK  
QTY:2



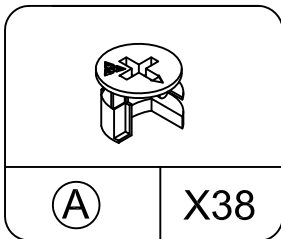
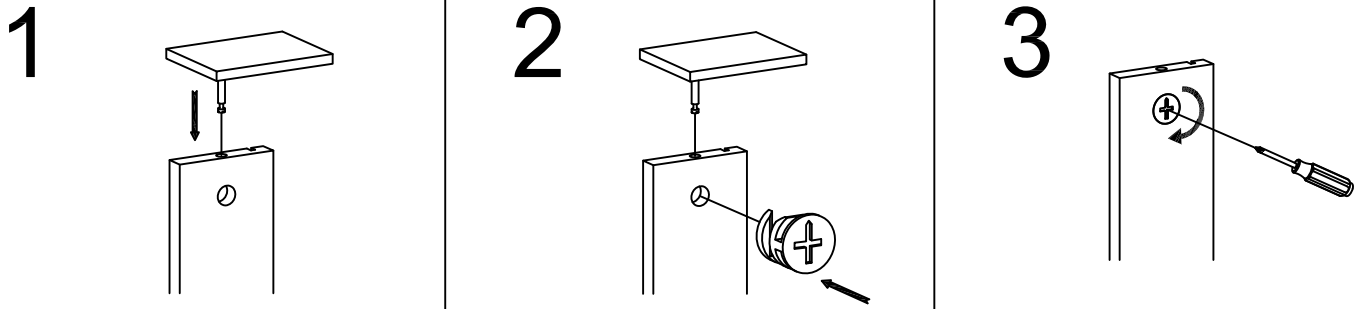
⑫ RIGHT DRAWER FRONT



⑬ LEFT DRAWER FRONT

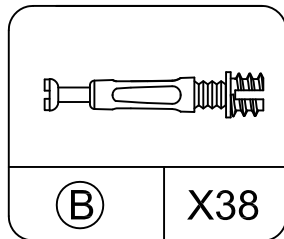


⑭ BACK PANEL



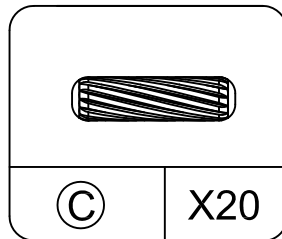
(A) X38

CAM LOCK  
F15\*11



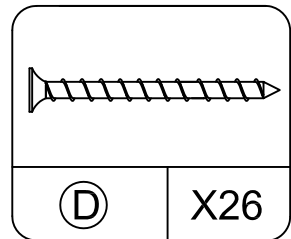
(B) X38

CAM BOLT  
F7\*31



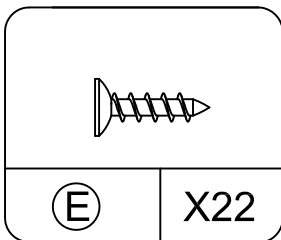
(C) X20

WOOD DOWEL  
F8\*30



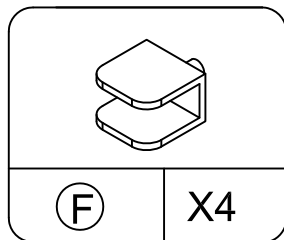
(D) X26

SCREW  
F4\*35



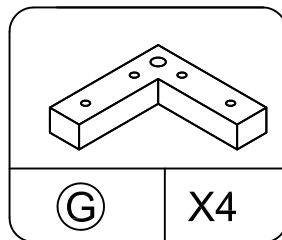
(E) X22

SCREW  
F3.5\*14



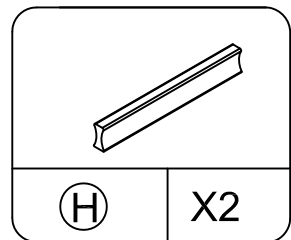
(F) X4

GLASS CLIP  
F5\*25



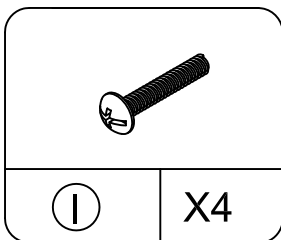
(G) X4

FOOT



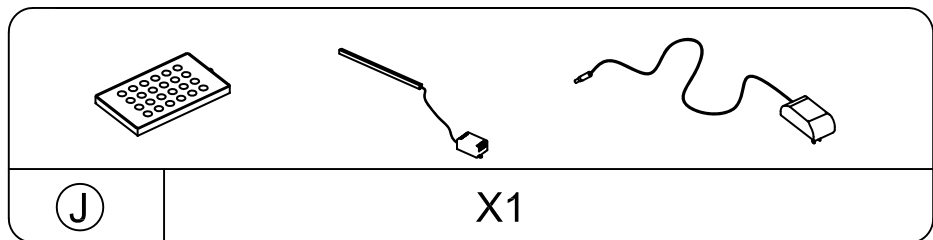
(H) X2

HANDLE



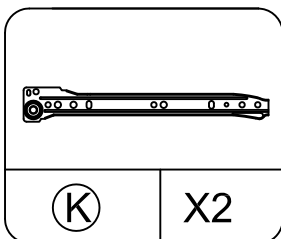
(I) X4

BOLT  
F4\*18



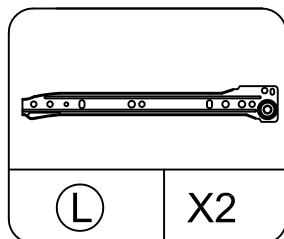
(J) X1

LIGHT STRIP



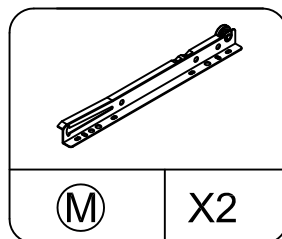
(K) X2

LEFT OUTER TRACK  
F20\*300



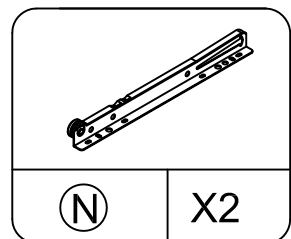
(L) X2

RIGHT OUTER TRACK  
F20\*300



(M) X2

LEFT INNER TRACK  
F20\*300

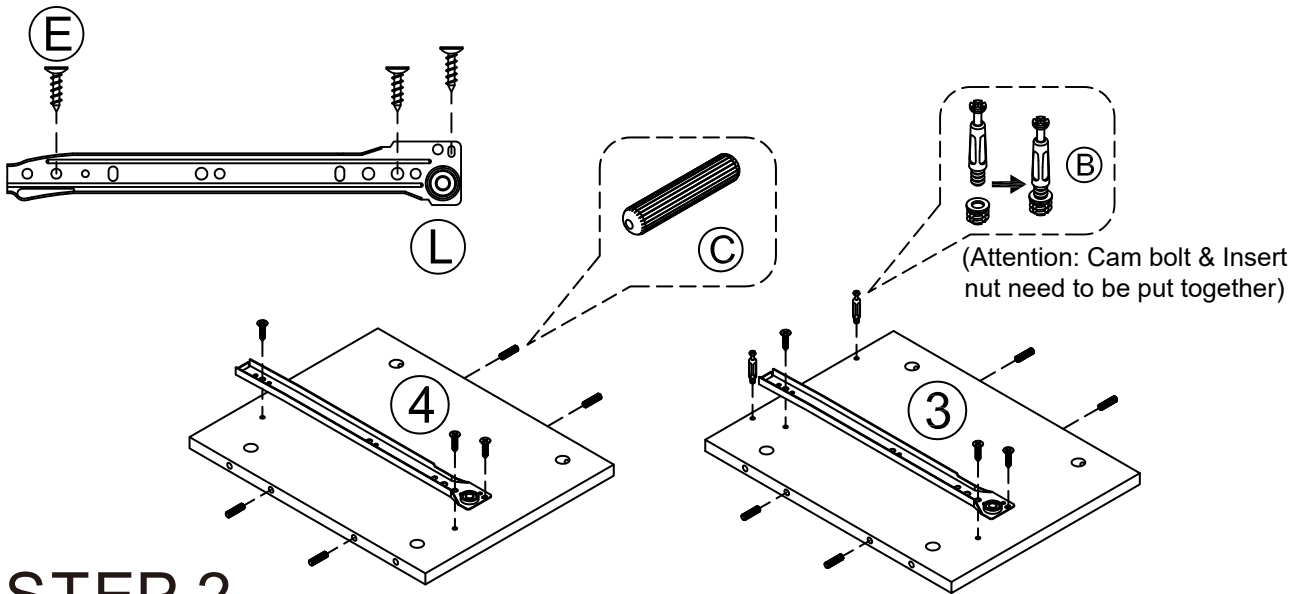
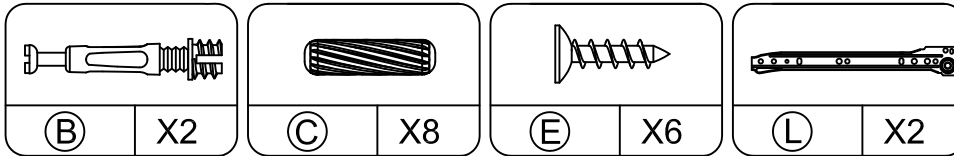


(N) X2

RIGHT INNER TRACK  
F20\*300

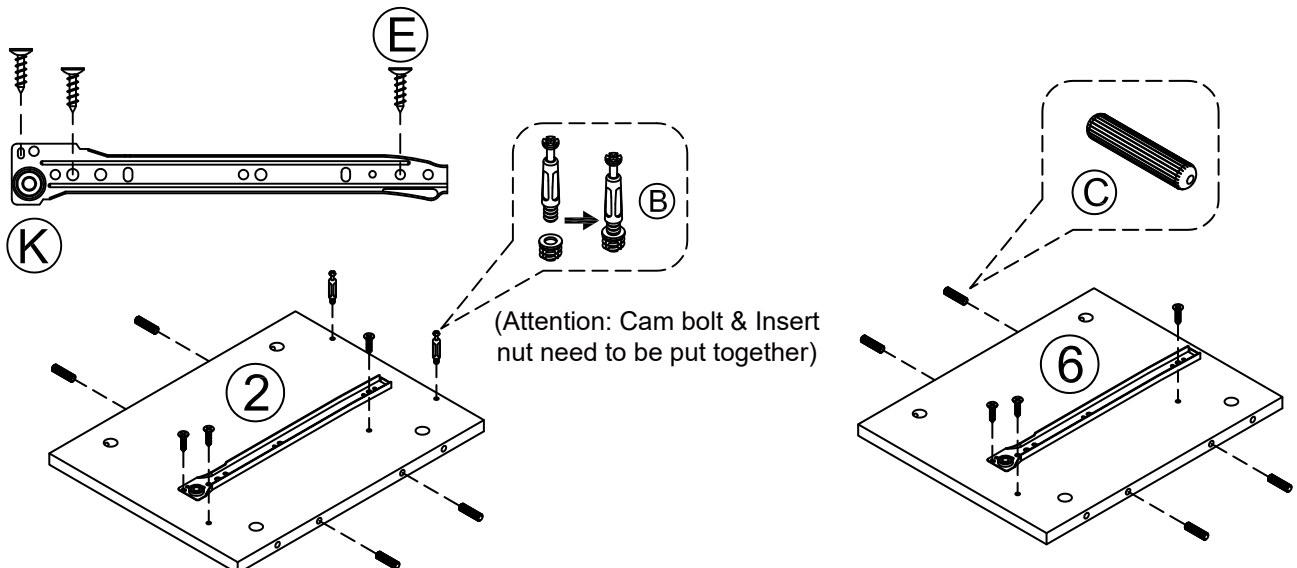
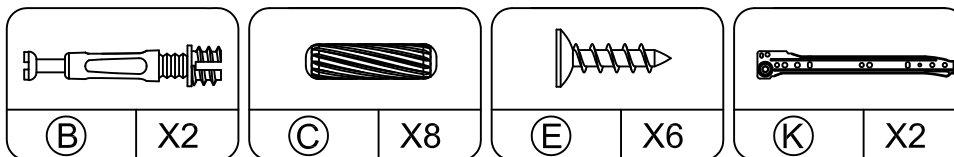
## STEP 1

- Screw cam bolts (B) into panel (3) as below shown.
- Insert wood dowels (C) into panel (3) & (4) as shown in the picture.
- Install drawer track (L) to panel (3) & (4) with screws (E).



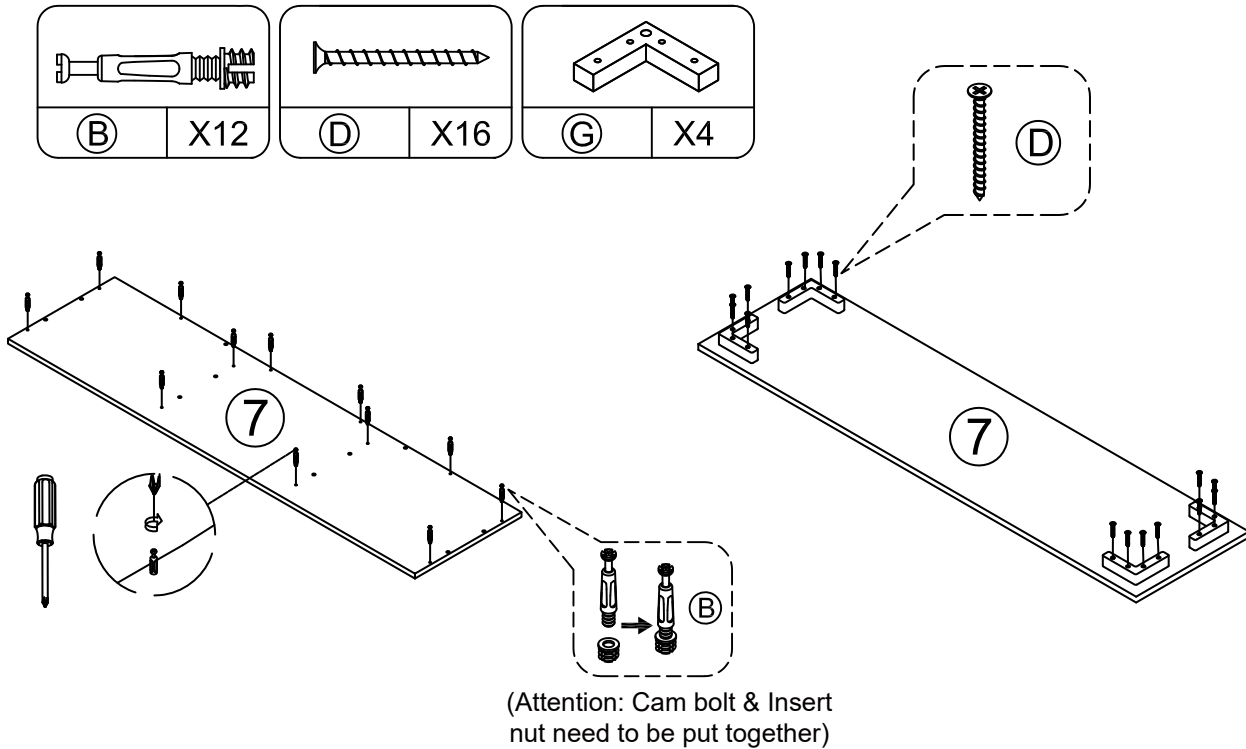
## STEP 2

- Screw cam bolts (B) into panel (2) as below shown.
- Insert wood dowels (C) into panel (2) & (6) as shown in the picture.
- Install drawer track (K) to panel (2) & (6) with screws (E).



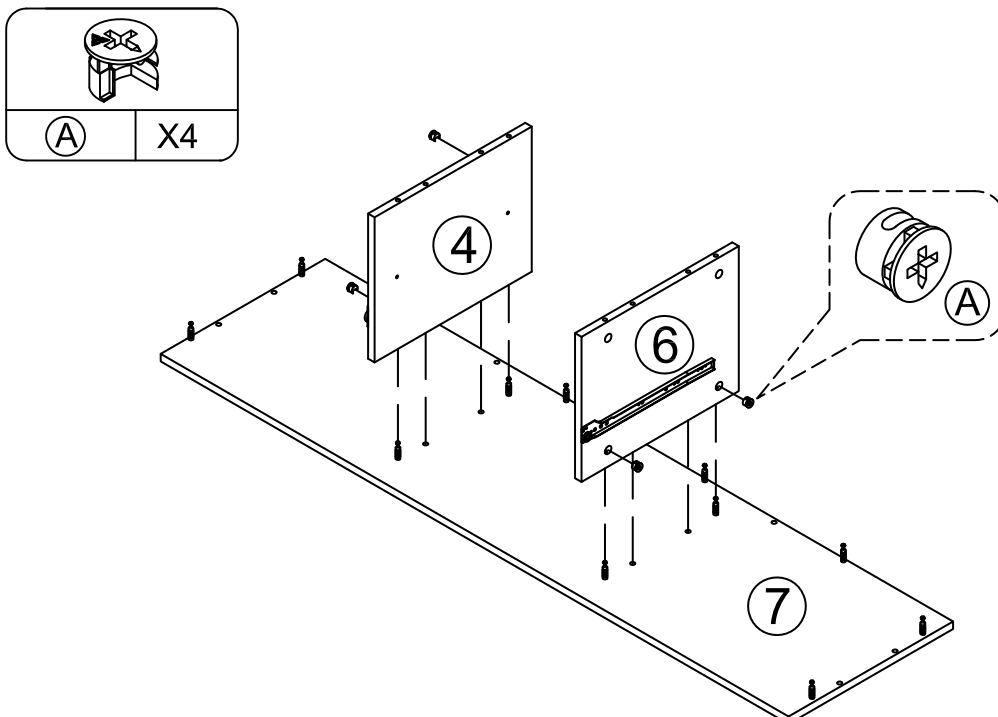
## STEP 3

- Screw cam bolts (B) into panel (7) as below shown.
- Attach foot (G) to the panel (7) with screws (D).



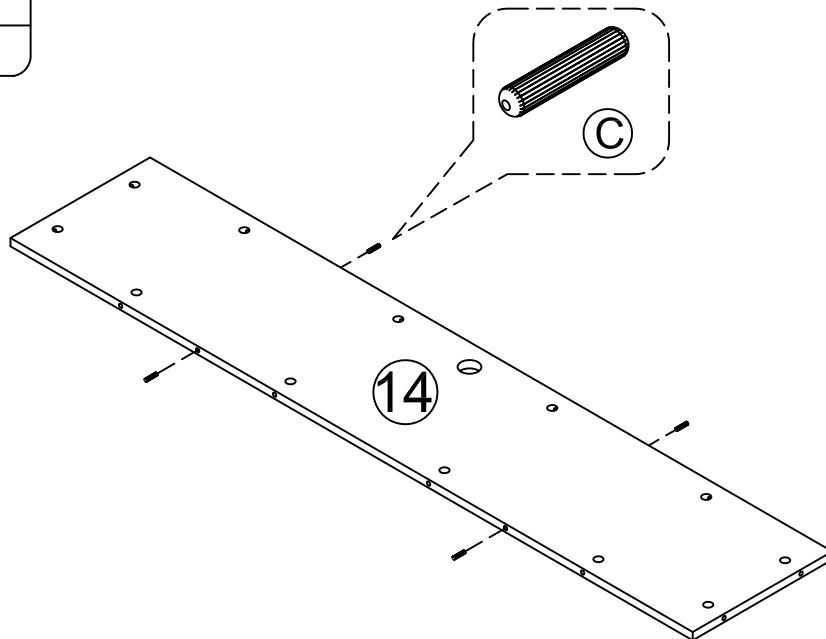
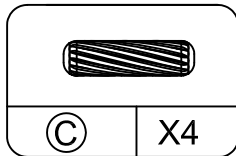
## STEP 4

- Attach panel (4) & (6) to (7) with cam locks (A).



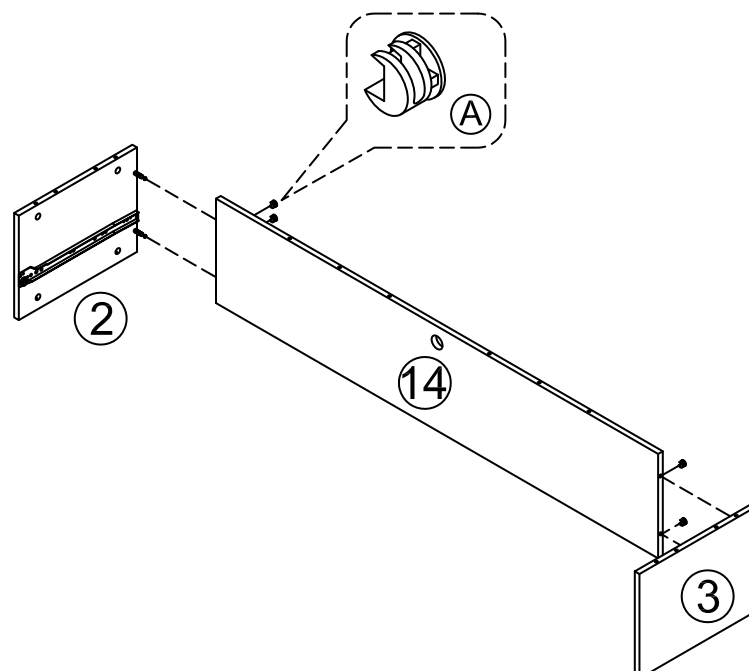
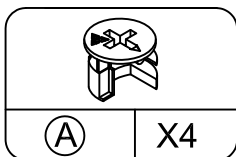
## STEP 5

- Insert wood dowels (C) into panel (14) as shown in the picture.



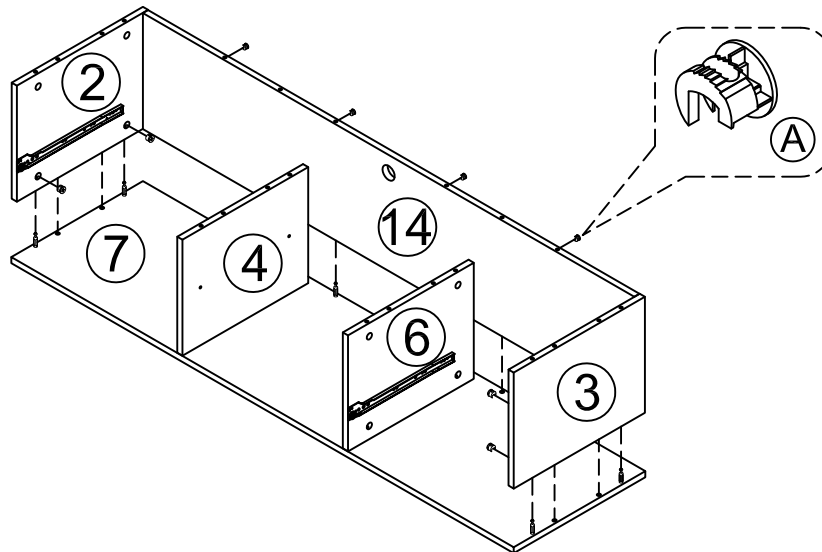
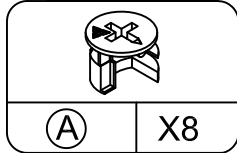
## STEP 6

- Attach panel (2) & (3) to (14) with cam locks (A).



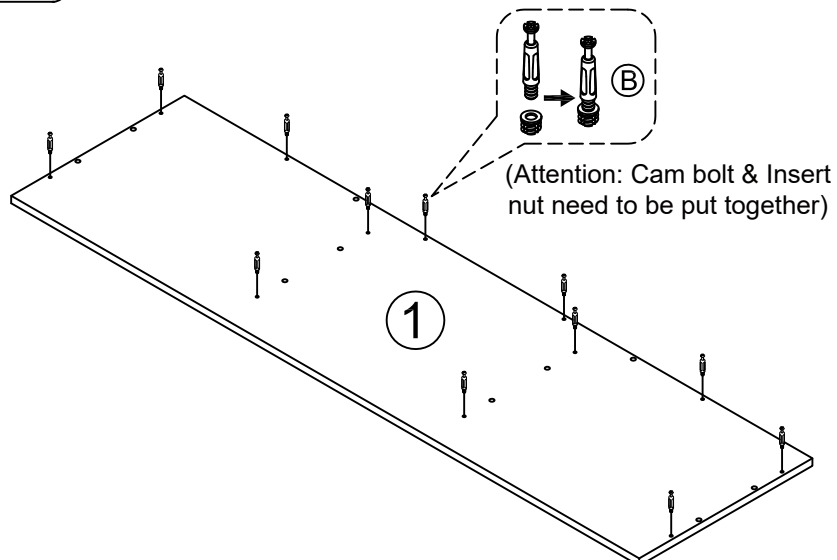
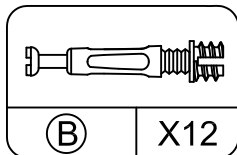
## STEP 7

- Attach panel (2) & (3) & (14) to (7) with cam locks (A).



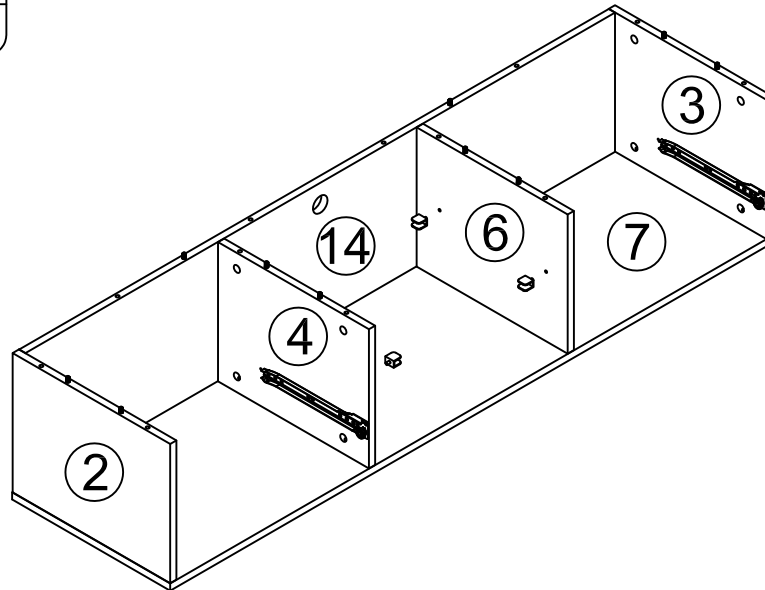
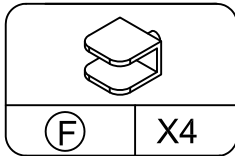
## STEP 8

- Screw cam bolts (B) into panel (1) as below shown.



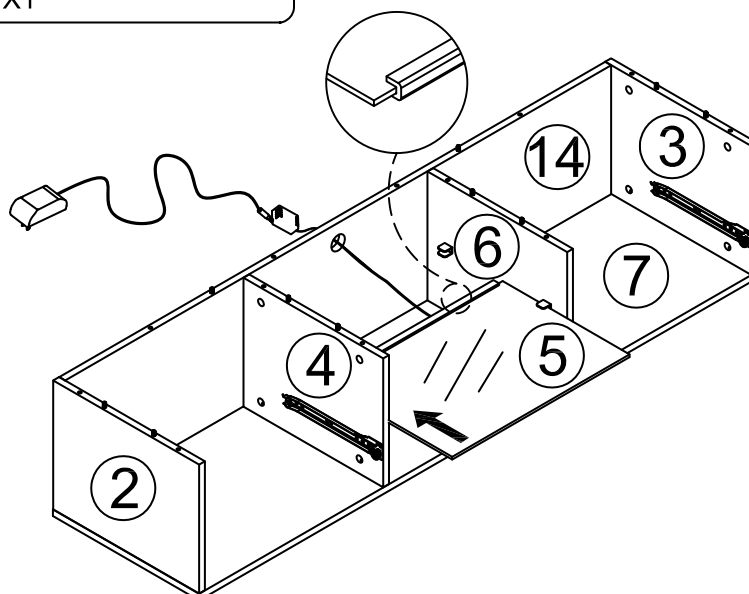
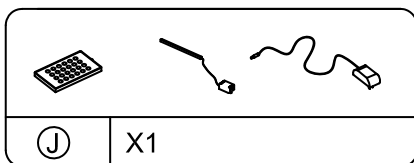
## STEP 9

-Screw glass clip (F) into panel (4) & (6) as below shown.



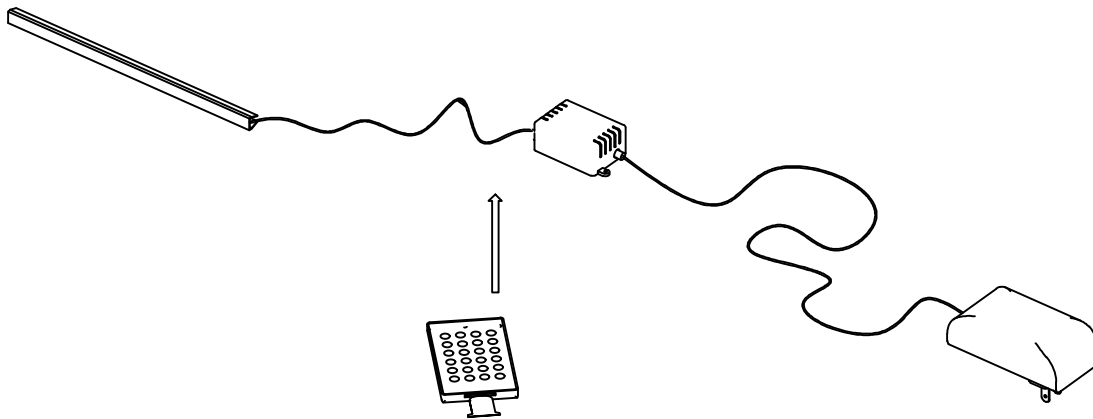
## STEP 10

-Insert the glass(5) into the glass clip (F) as shown below.



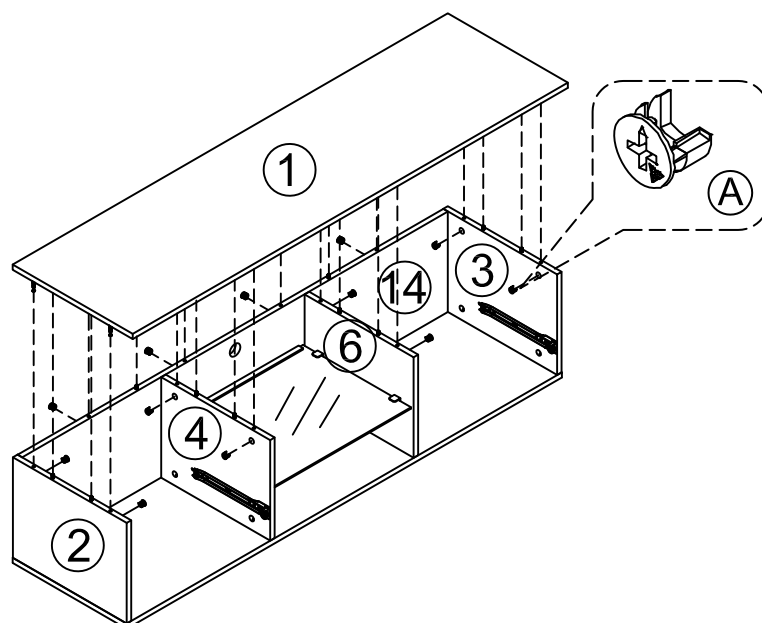
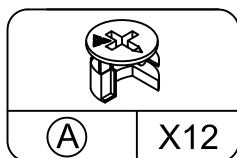
## STEP 11

- Connected pin of LED and power adapter to the RGB control box as below.
- Remove the battery protection pad from remote controller; Align remote controller to the RGB Control box to adjust the color mode; Specifications of battery: cr2025 3v
- LED lamp with effective remote control distance of 5 meters



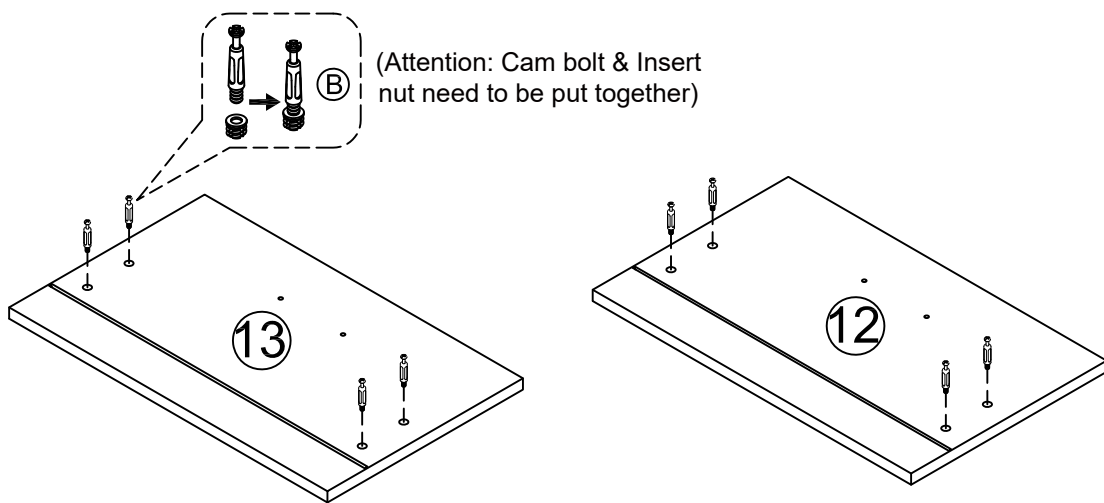
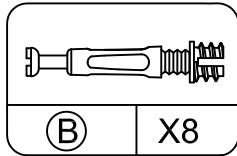
## STEP 12

- Attach panel (1) to (2) & (3) & (4) & (6) & (14) with cam locks (A).



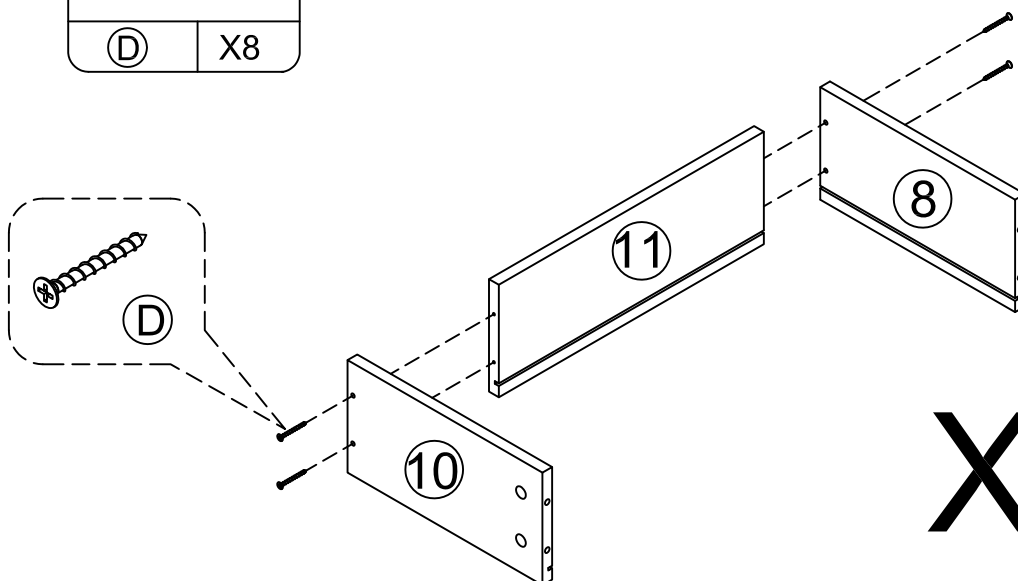
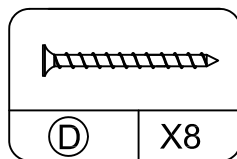
## STEP 13

- Screw cam bolts (B) into panel (12) & (13) as below shown.



## STEP 14

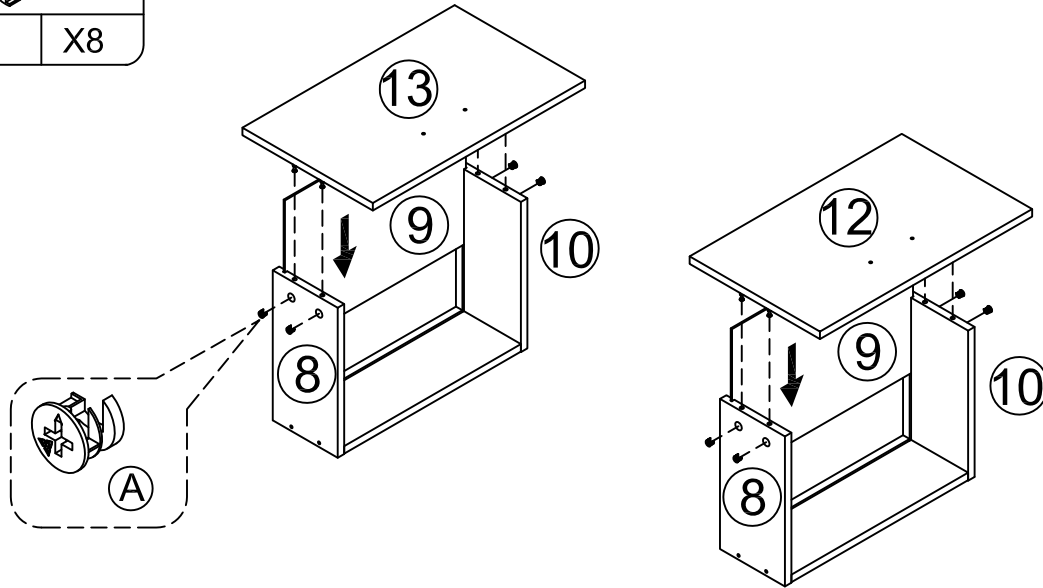
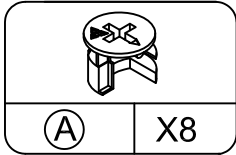
- Attach panel (11) to (8) & (10) with screw (D) as shown in the picture.



**X2**

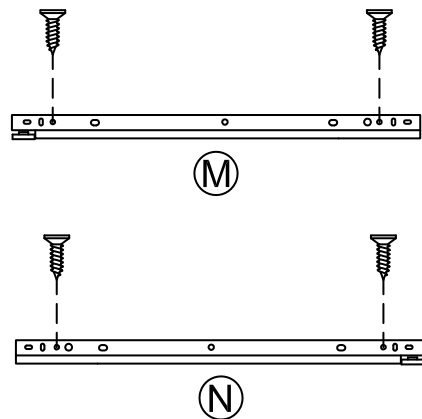
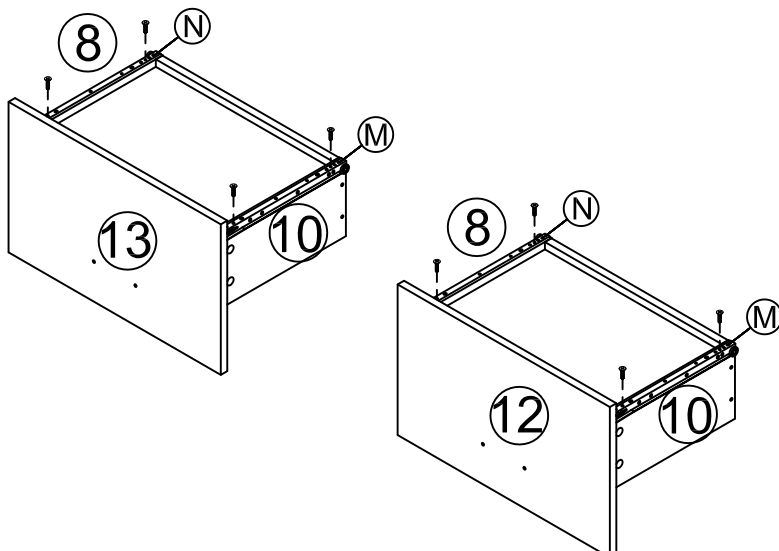
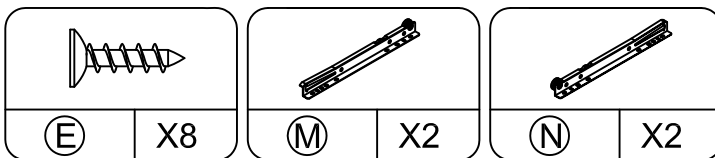
## STEP 15

- Attach panel (12) & (13) to (8) & (10) with cam locks (A).



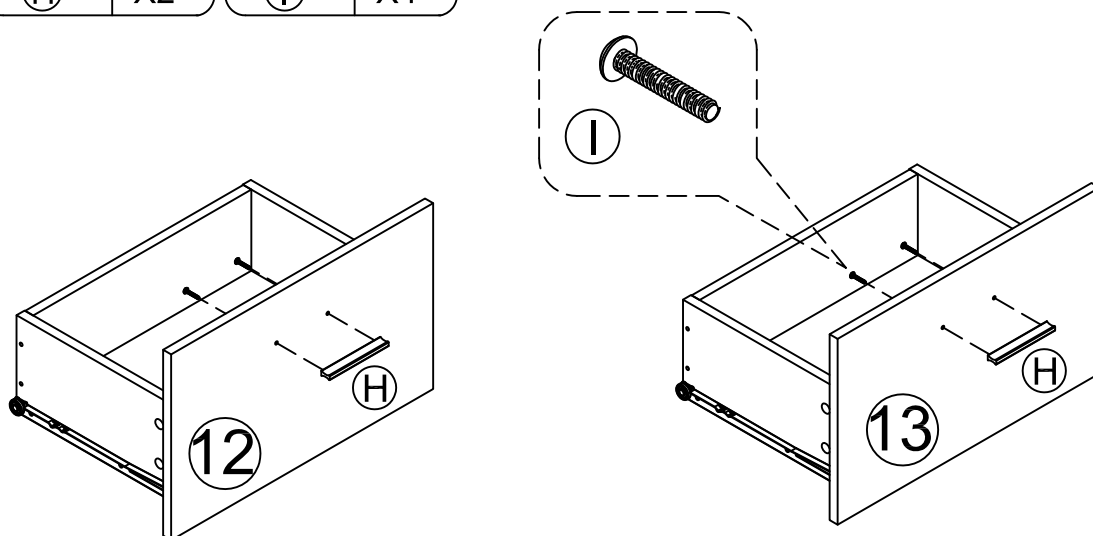
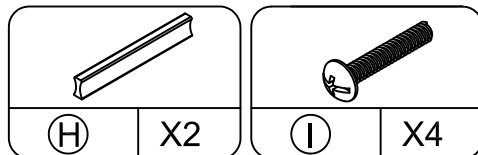
## STEP 16

- Install drawer track (M) & (N) to panel (10) & (8) with screws (E).



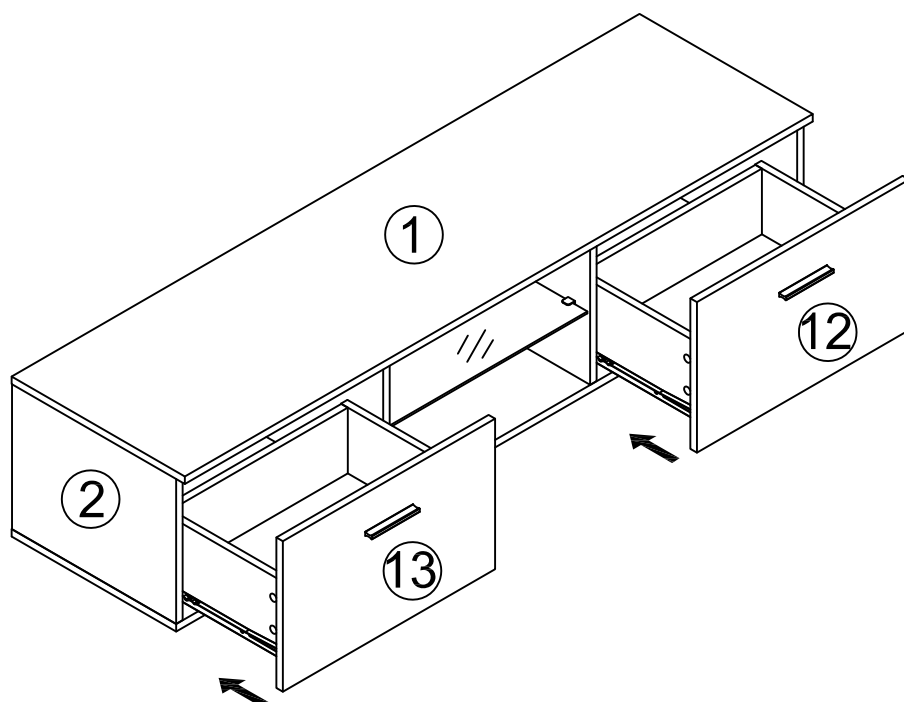
## STEP 17

- Install handle (H) to panel (12) & (13) with bolts (I).



## STEP 18

- Insert the drawers.



## STEP 19

- Installation complete.

---

