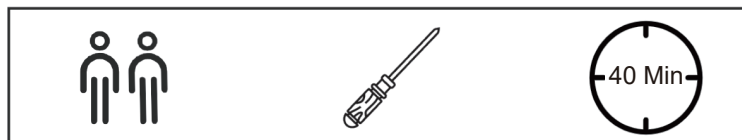
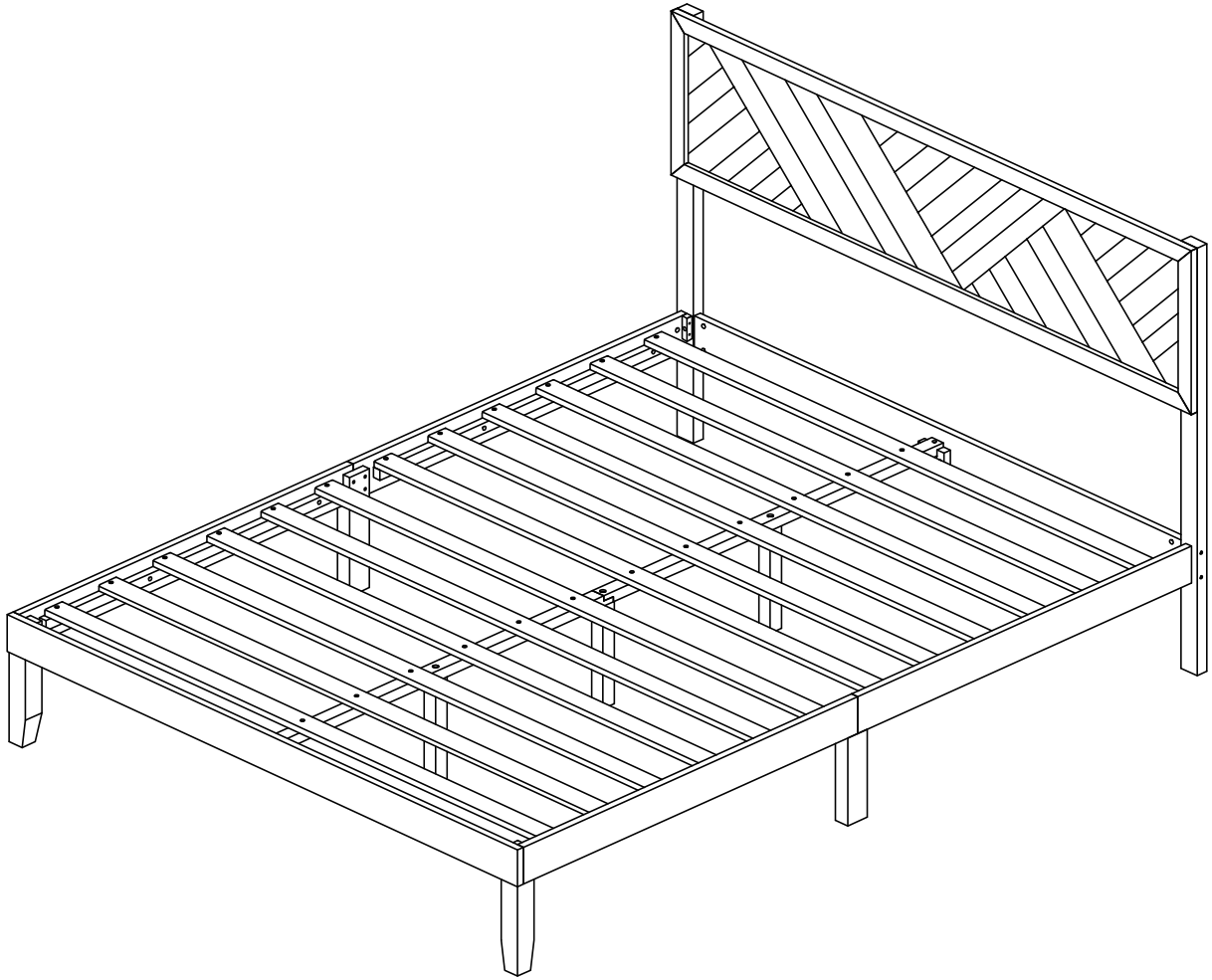


ASSEMBLY INSTRUCTIONS

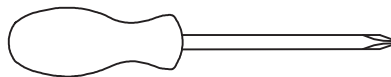




Before You Start

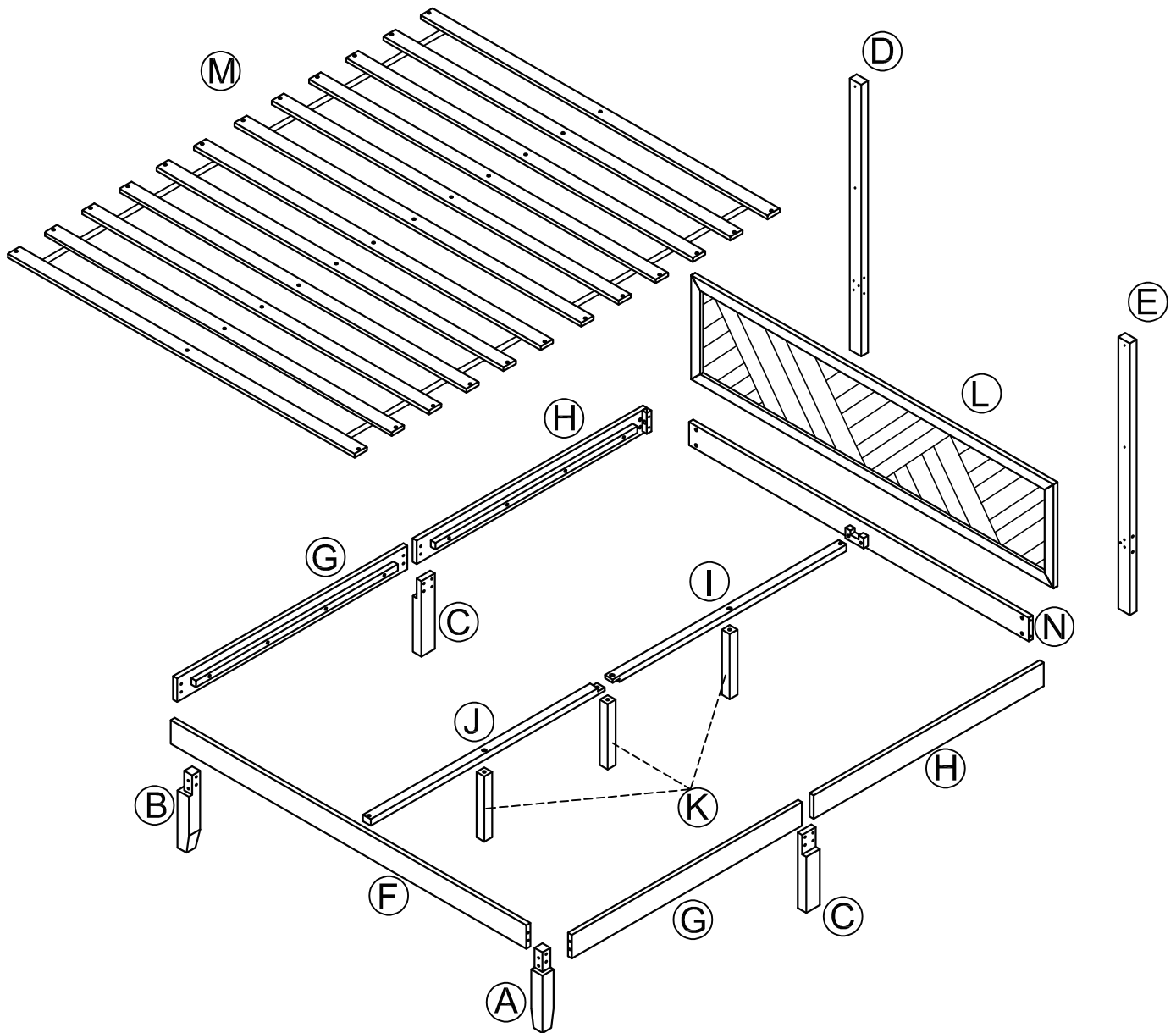
- ⚠ Please read all instructions carefully.
- ⚠ Retain instructions for future reference.
- ⚠ Separate and count all parts and hardware.
- ⚠ Read through each step carefully and follow the proper order.
- ⚠ We recommend that, where possible, all items are assembled near to the area in which they will be placed in use, to avoid moving the product unnecessarily once assembled.
- ⚠ Always place the product on a flat, steady and stable surface.
- ⚠ Keep all small parts and packaging materials for this product away from babies and children as they potentially pose a serious choking hazard.

ASSEMBLY TOOLS REQUIRED (NOT INCLUDED)

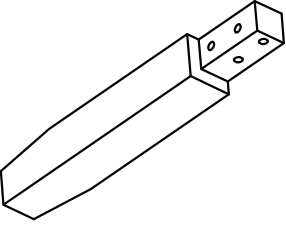
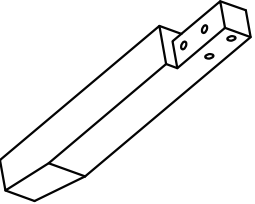
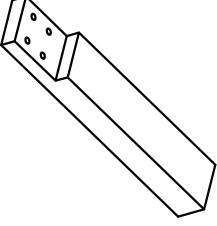
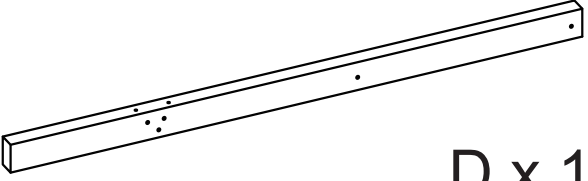
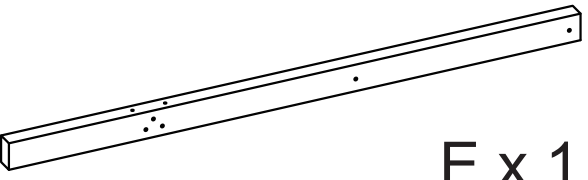
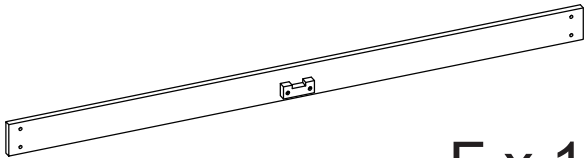
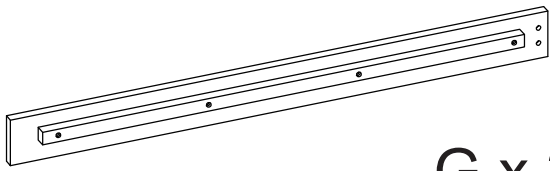
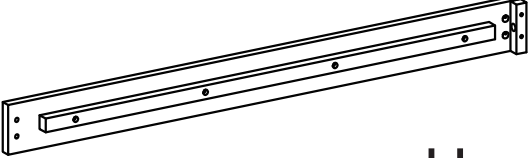
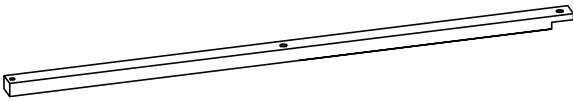
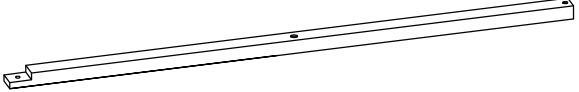
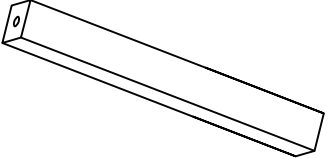
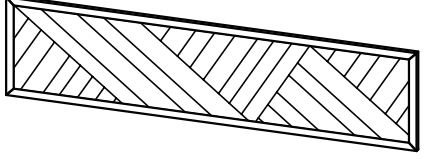
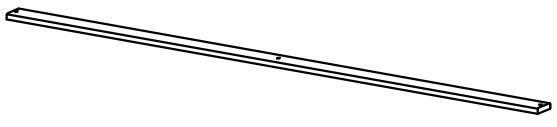
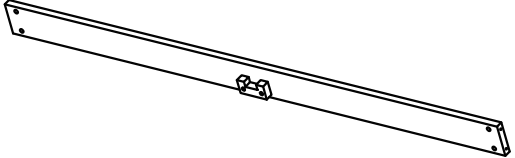


PLEASE BE CAREFUL DO NOT DAMAGE THE HOLE POSITION WHEN YOU USE POWER TOOLS !

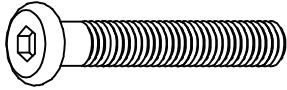
EXPLODED DRAWING



Part List

 <p>A x 1</p>	 <p>B x 1</p>
 <p>C x 2</p>	 <p>D x 1</p>
 <p>E x 1</p>	 <p>F x 1</p>
 <p>G x 2</p>	 <p>H x 2</p>
 <p>I x 1</p>	 <p>J x 1</p>
 <p>K x 3</p>	 <p>L x 1</p>
 <p>M x 12pcs</p>	 <p>N x 1</p>

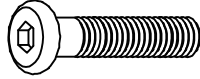
HARDWARE LIST



BOLT
(Ø1/4 " x 50mm)

①

x8



BOLT
(Ø1/4 " x 35mm)

②

x8



BOLT
(Ø1/4 " x 80mm)

③

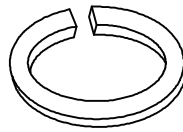
x8



BOLT
(Ø1/4 " x 38mm)

④

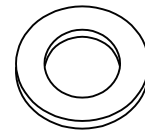
x9



SPRING WASHER
(Ø1/4 ")

⑤

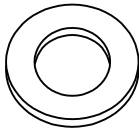
x30



FLAT WASHER
(Ø1/4" x 13mm)

⑥

x12



FLAT WASHER
(Ø1/4" x 19mm)

⑦

x18



ALLEN KEY

⑧

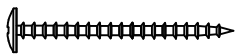
x1



(Ø1/4 ")

⑨

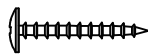
x8



SCREW
(Ø4 x 38mm)

⑩

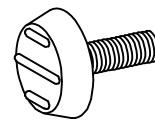
x2



SCREW
(Ø4 x 25mm)

⑪

x36

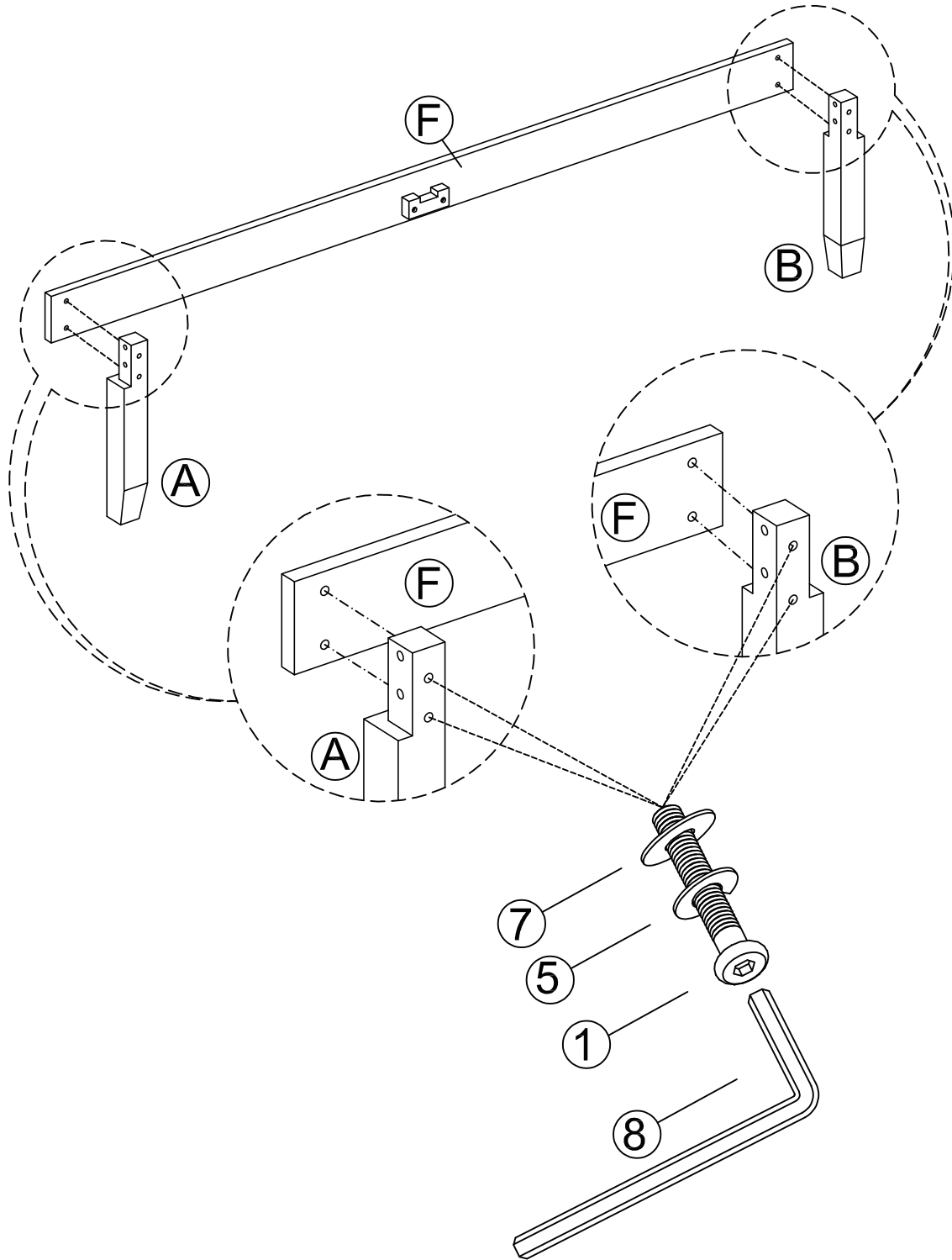






(1/4" x 25mm)

⑫

x3

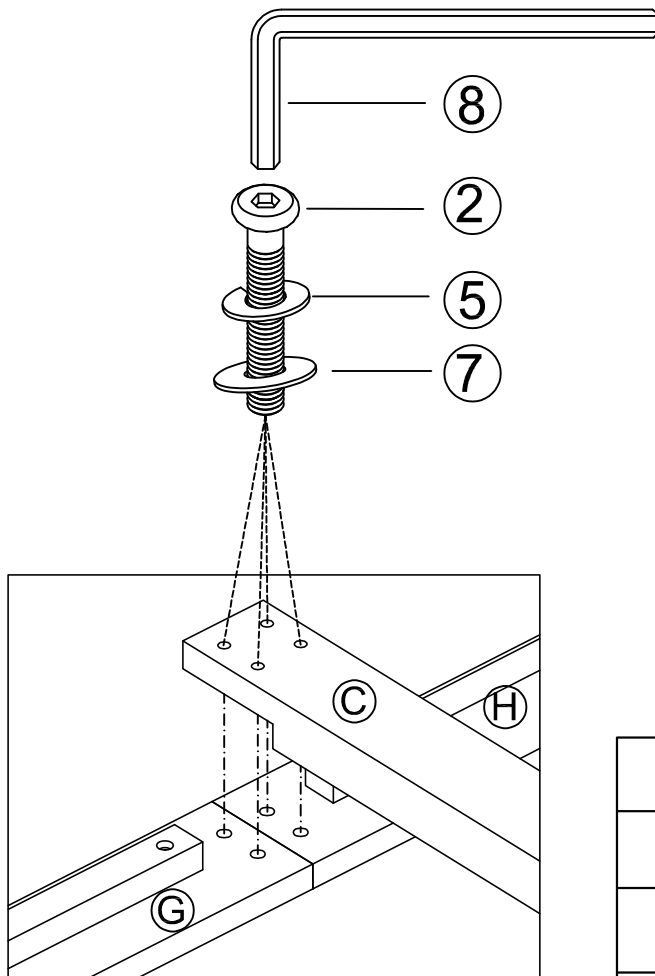
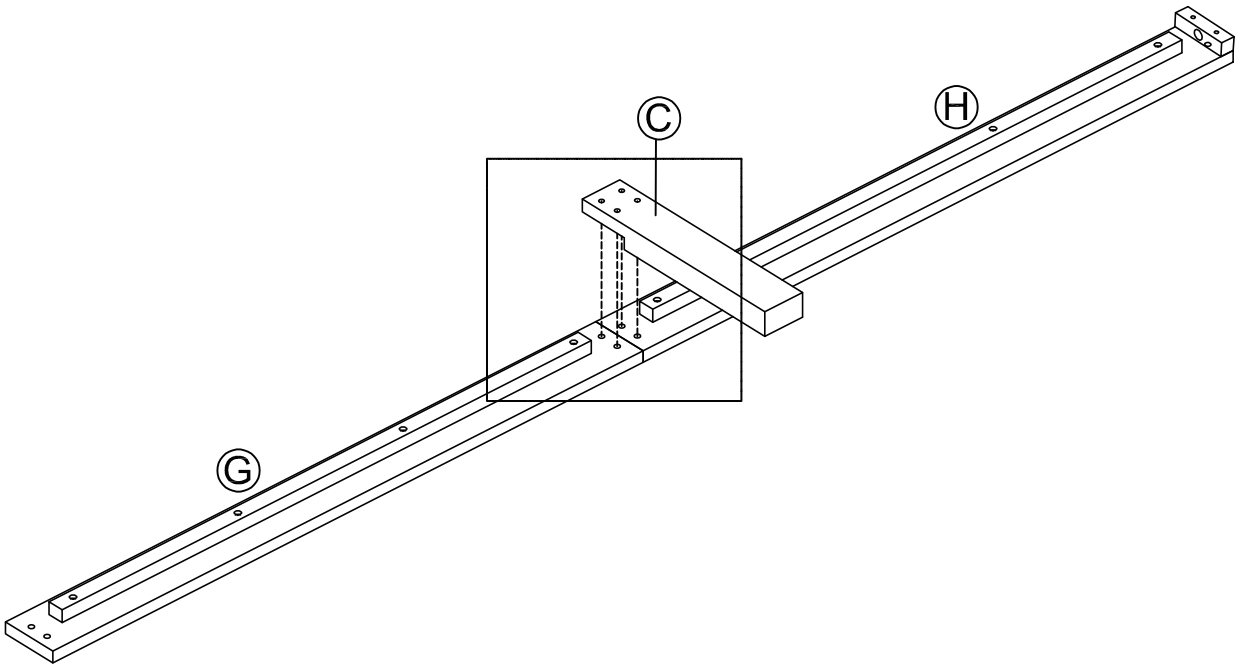
Step 1



1		x4
5		x4
7		x4
8		x1

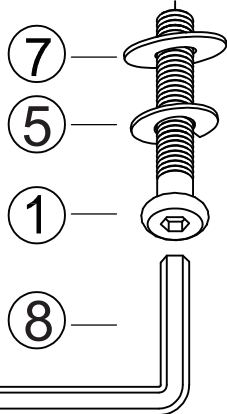
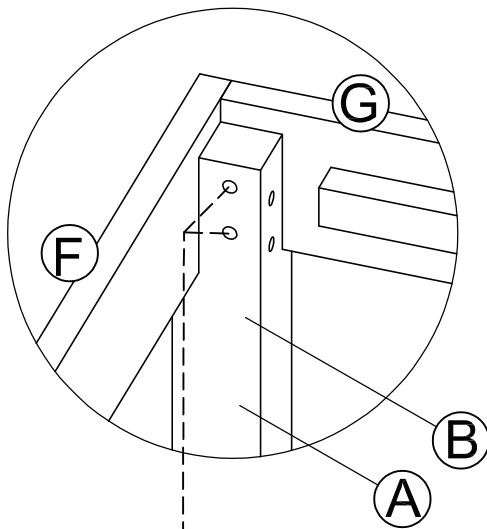
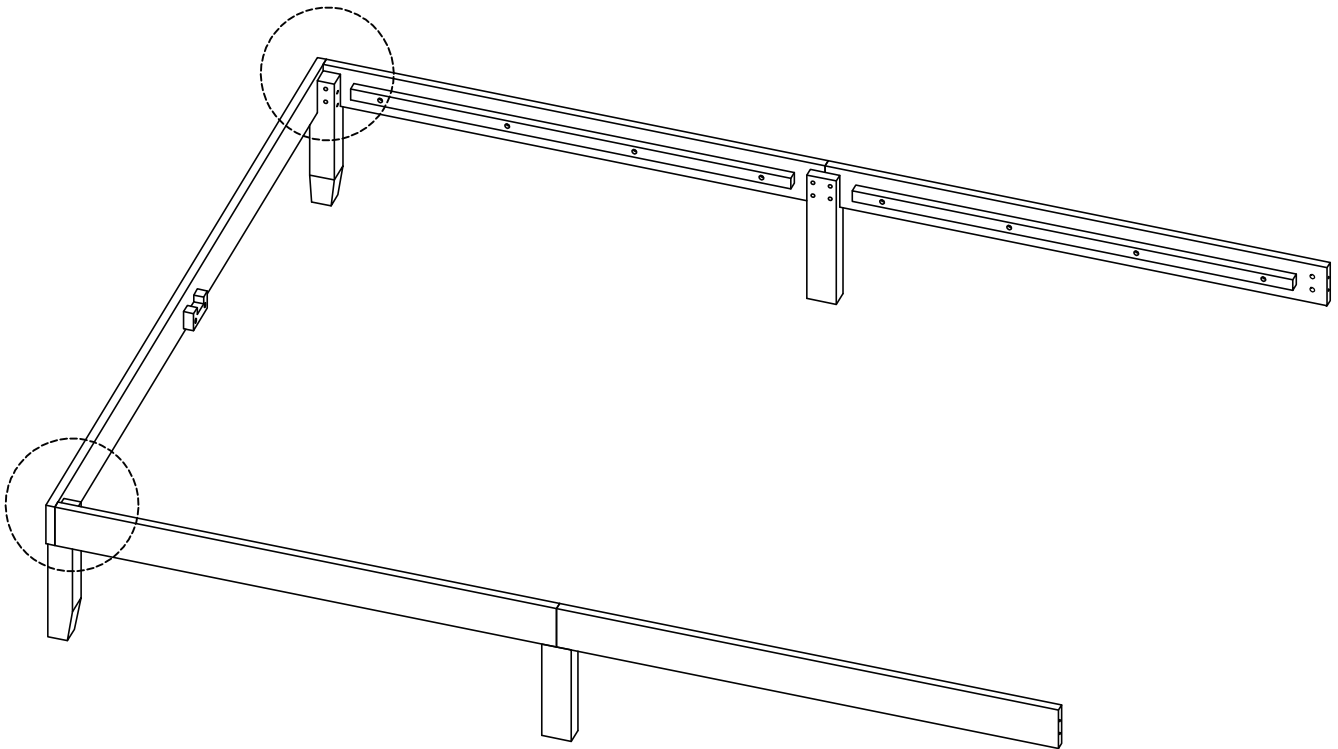
Step 2





X2



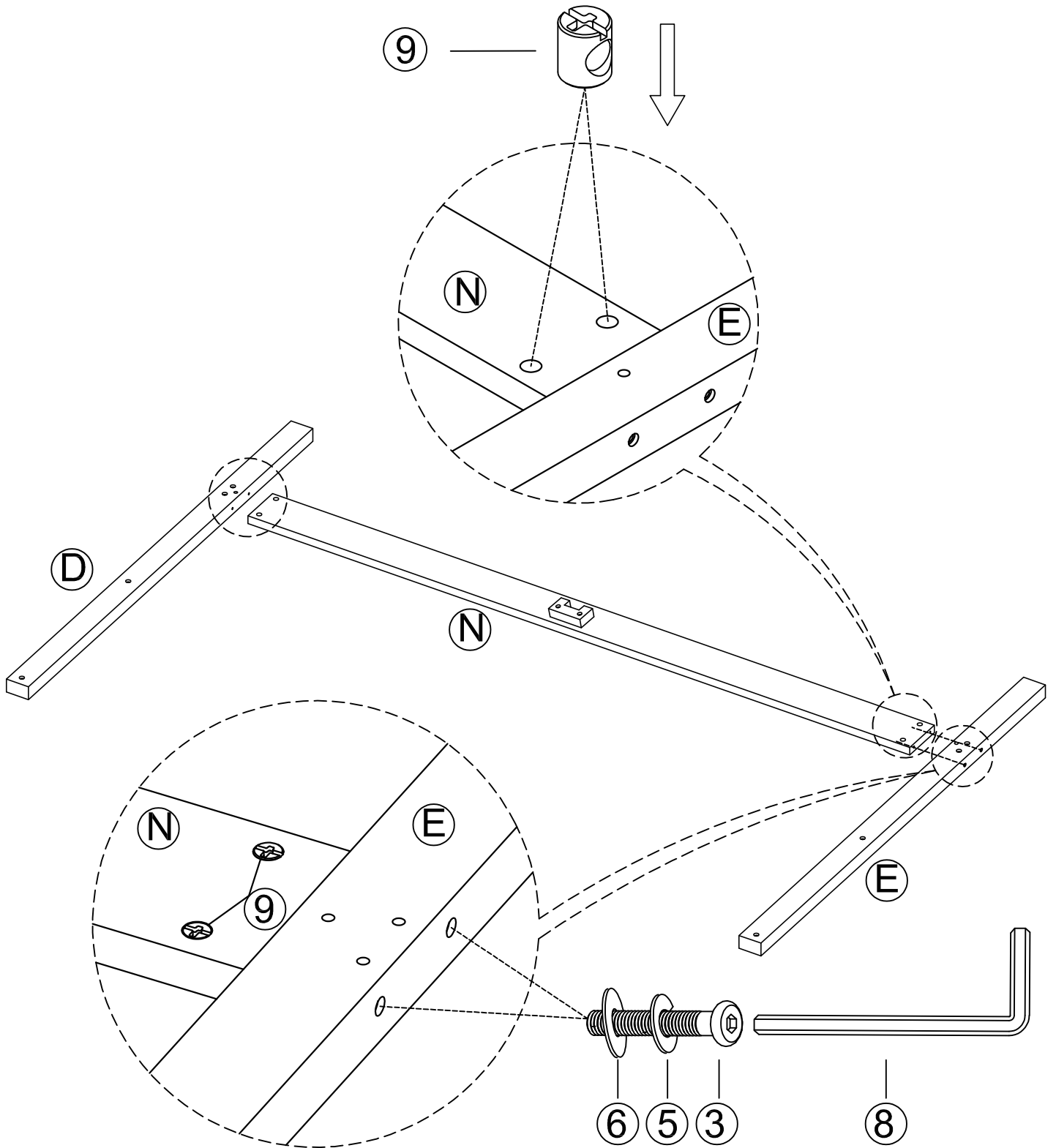
2		x8
5		x8
7		x8
8		x1

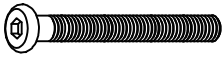




Step 3



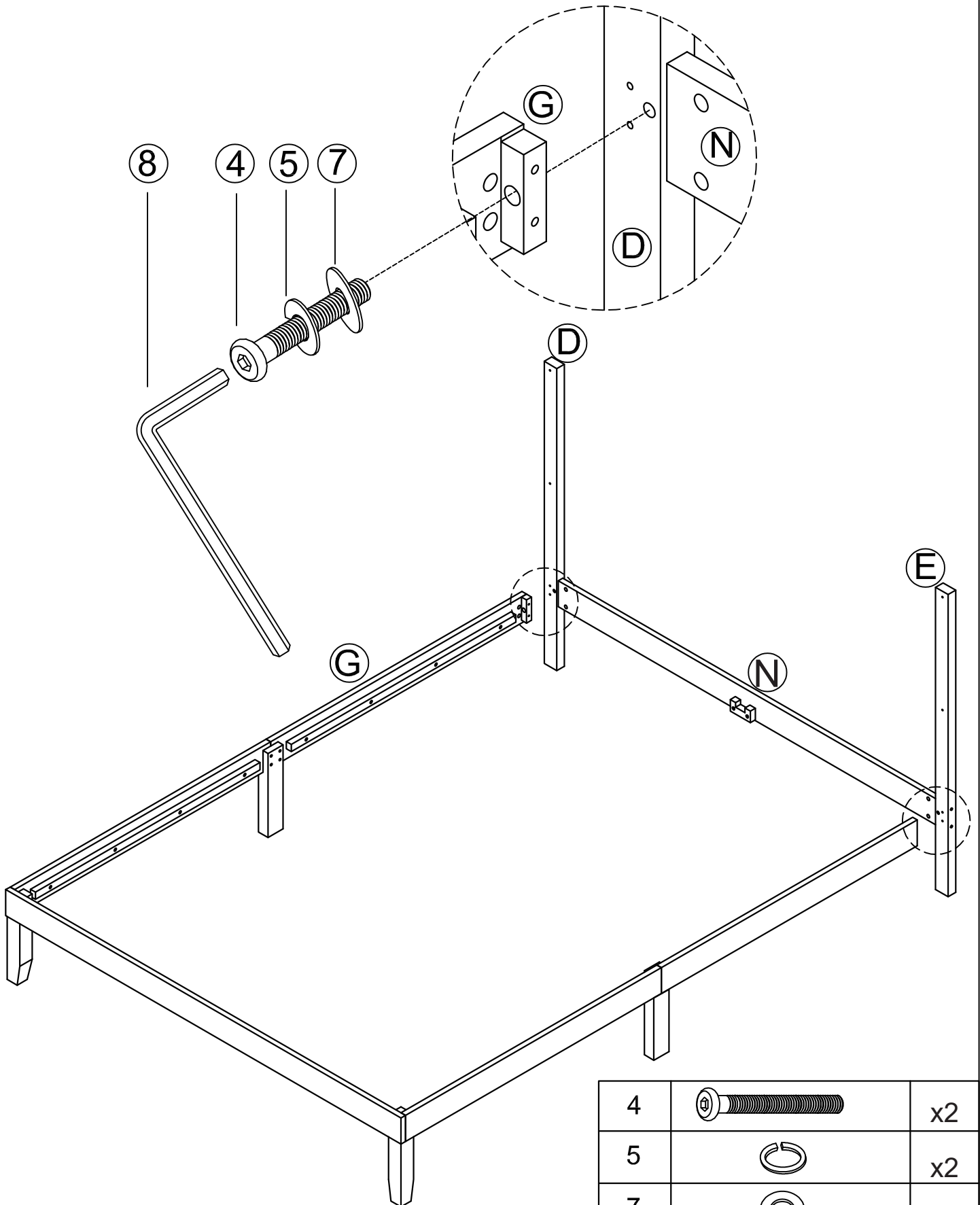
1		x4
5		x4
7		x4
8		x1





Step 4



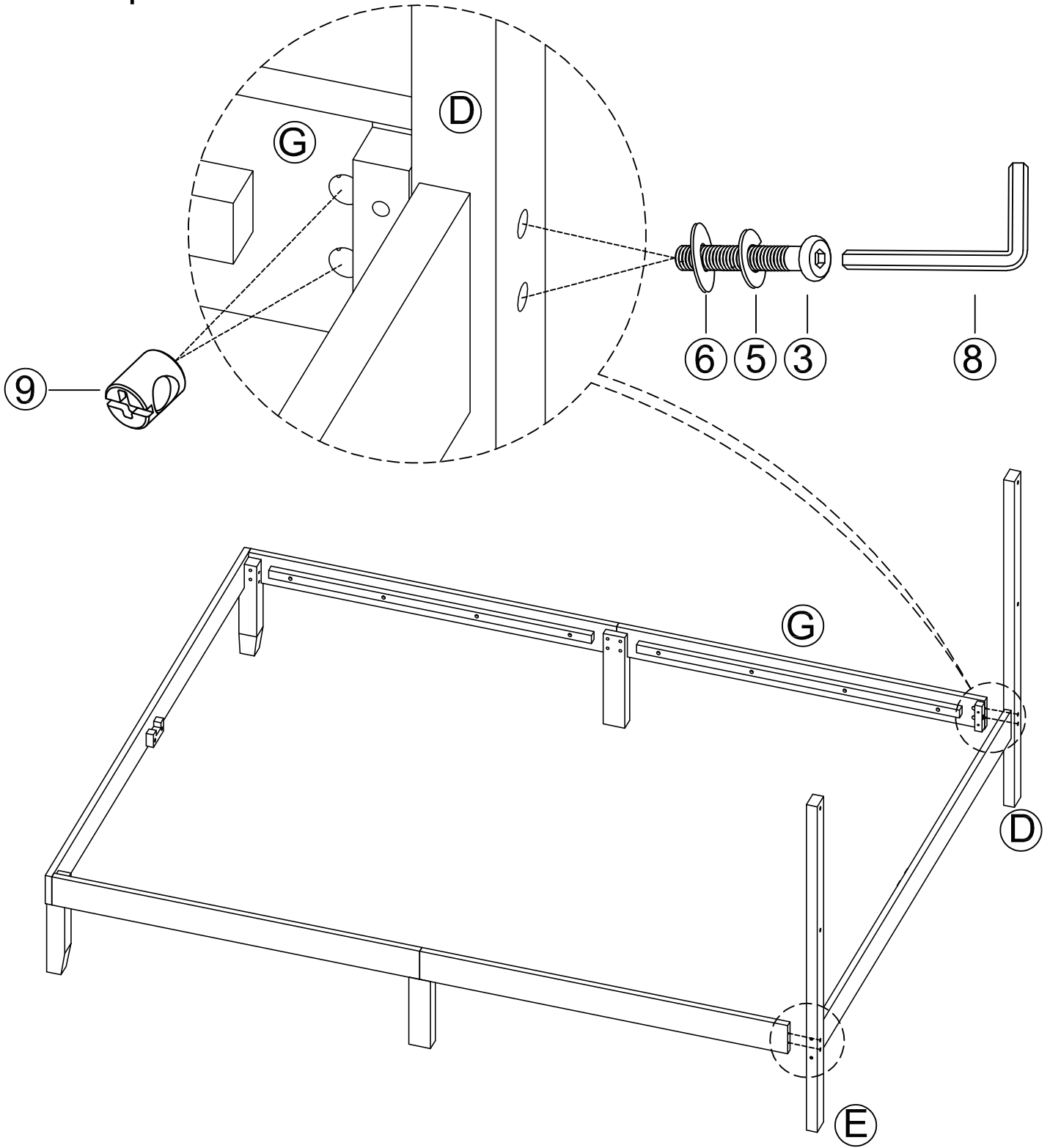
3		x4
5		x4
6		x4
8		x1
9		x4

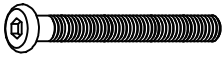




Step 5



4		x2
5		x2
7		x2
8		x1

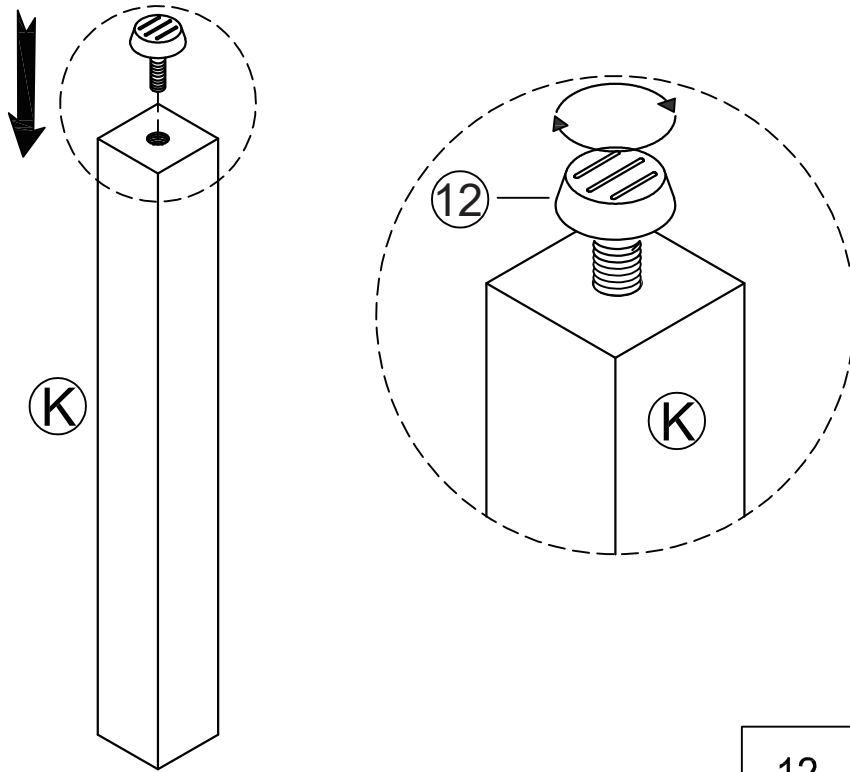
Step 6




3		x4
5		x4
6		x4
8		x1
9		x4

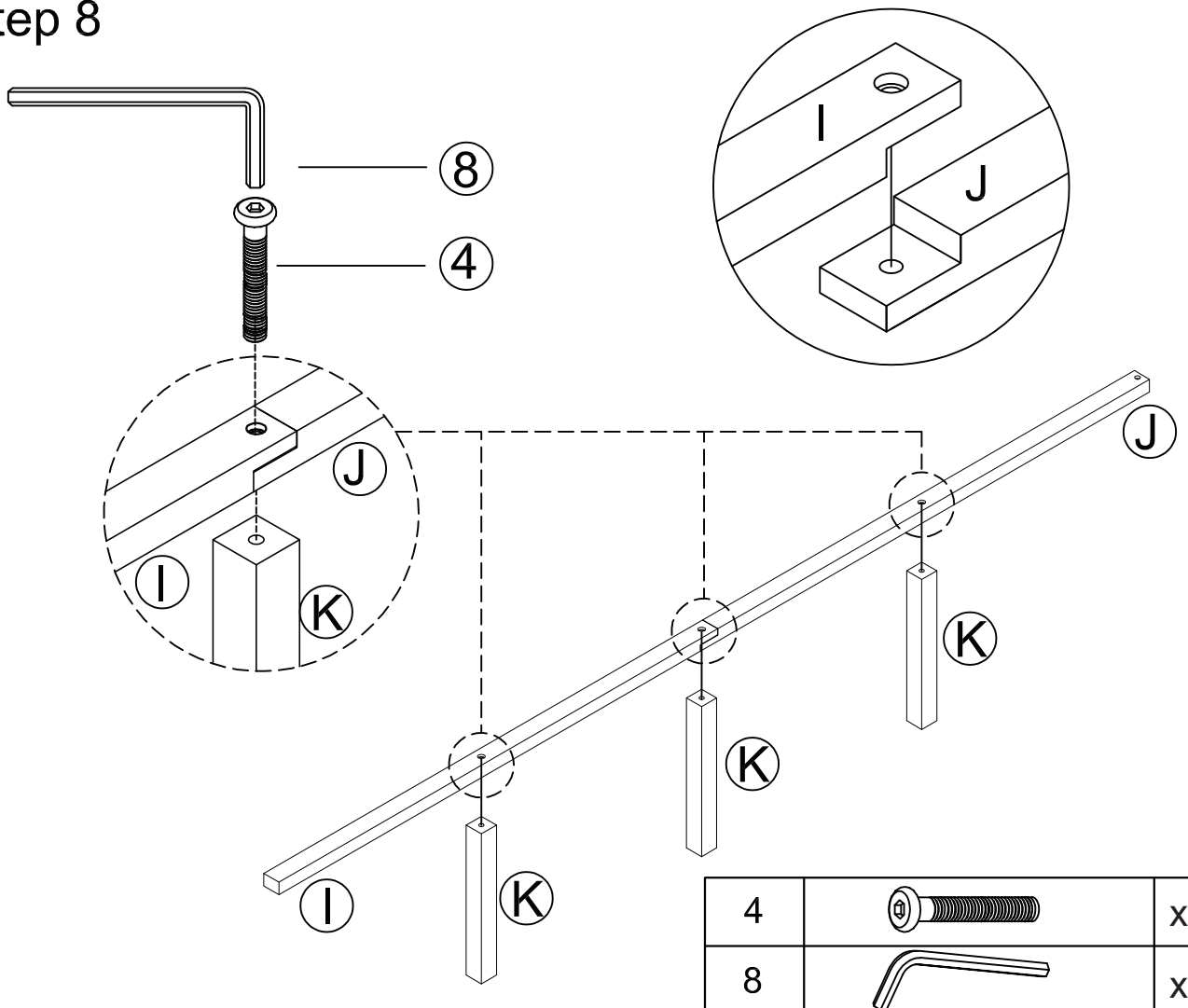
Step 7



X3



12		03
----	---	----

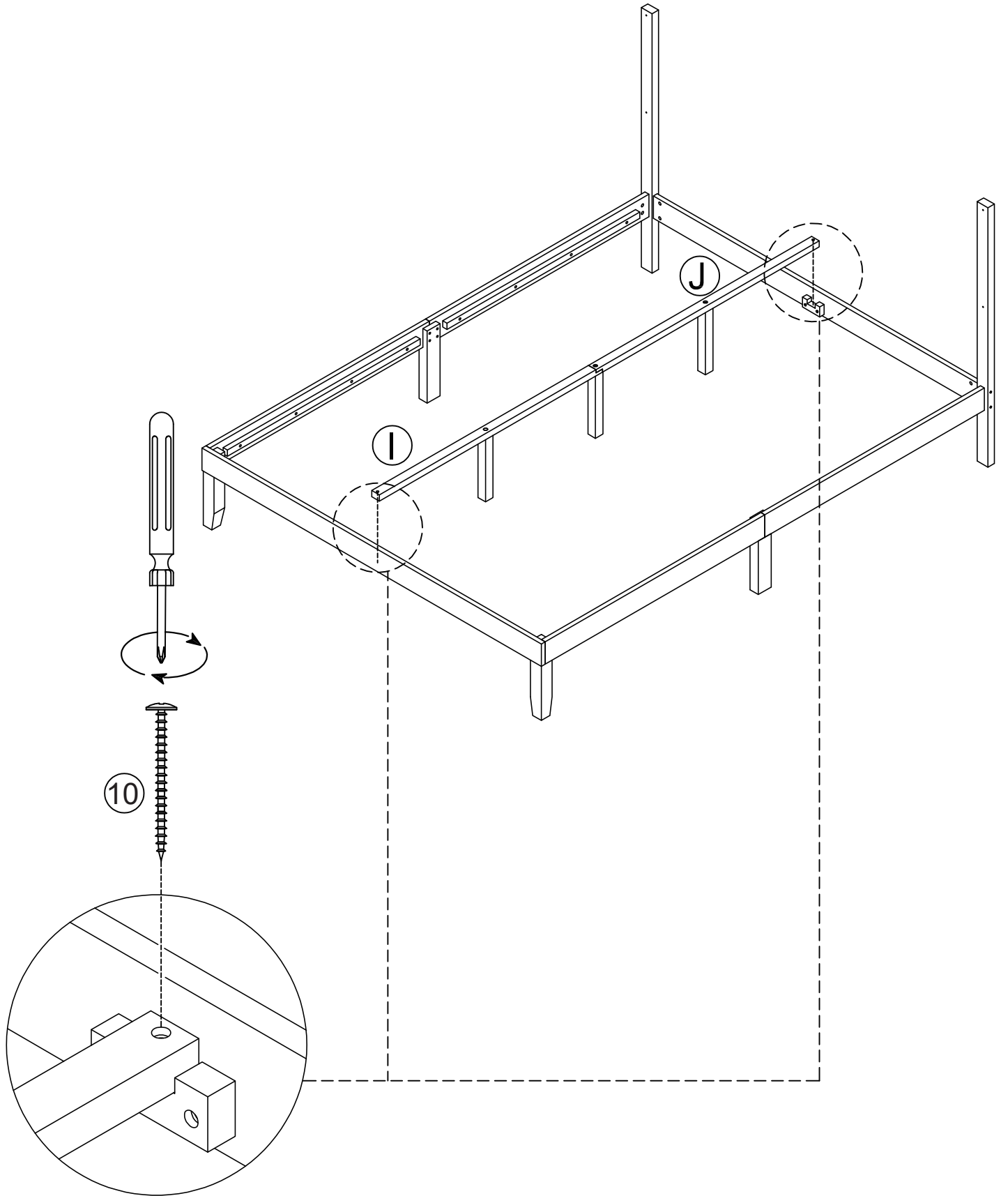
Step 8

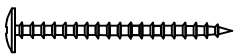


4		x3
8		x1

Step 9

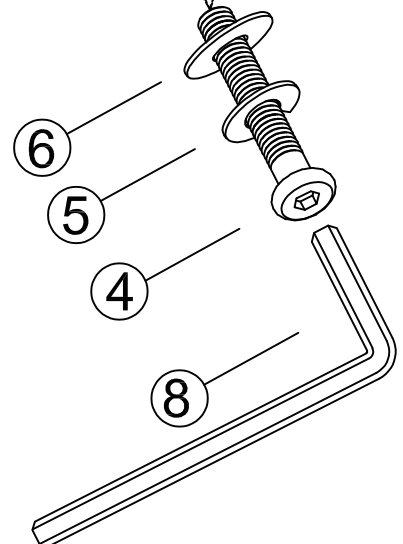
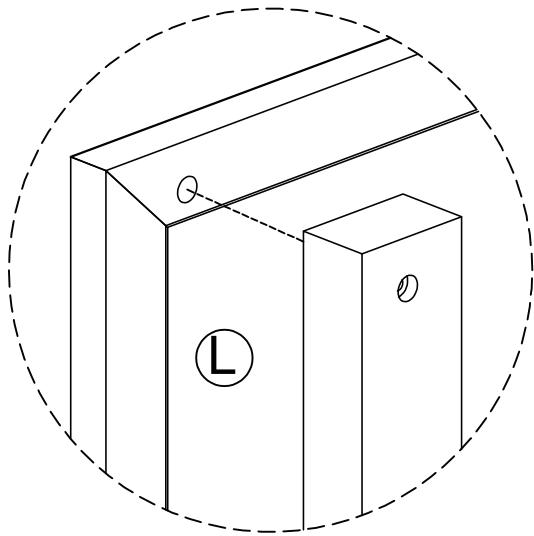
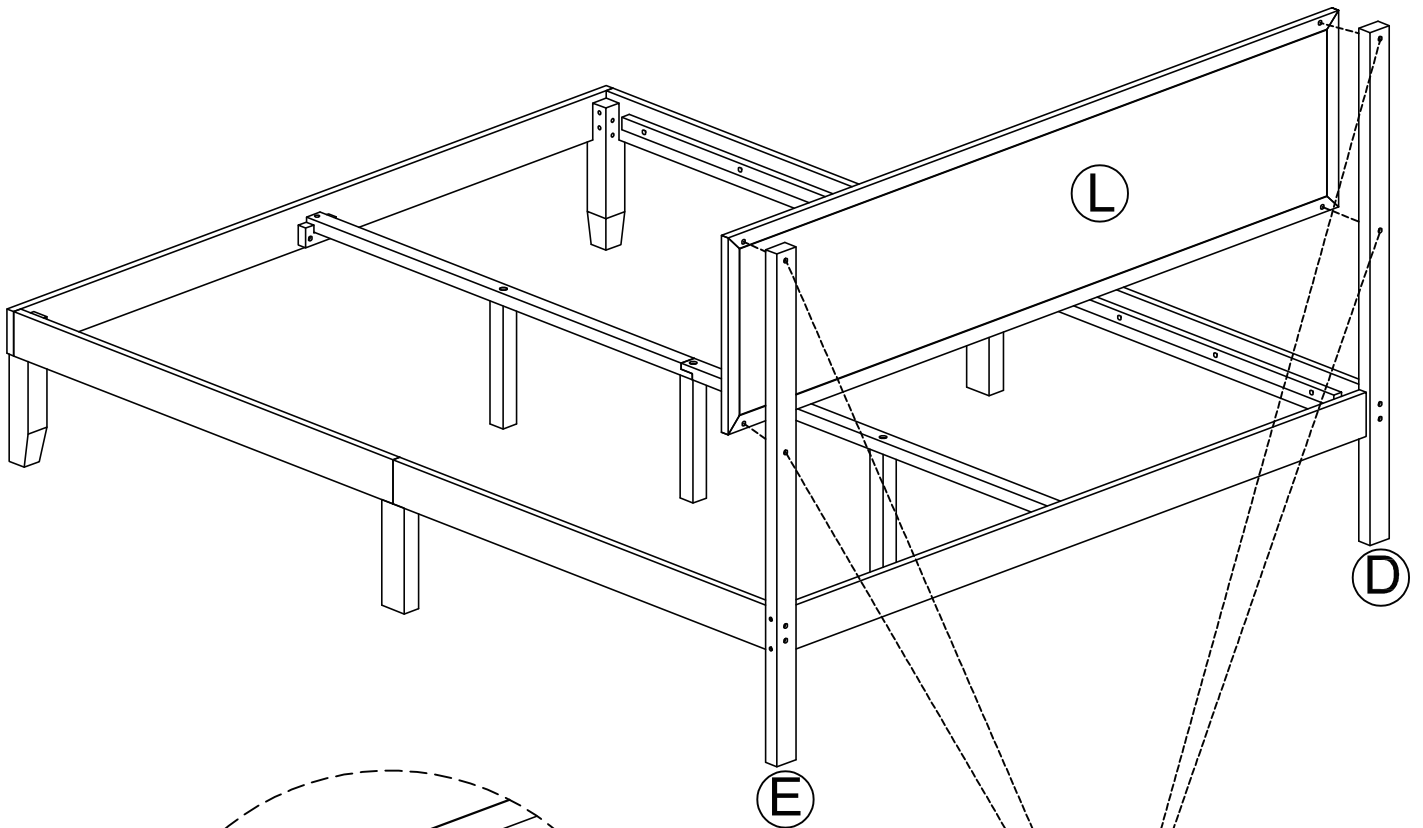
X1

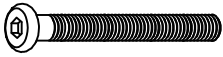





10		x2
----	---	----

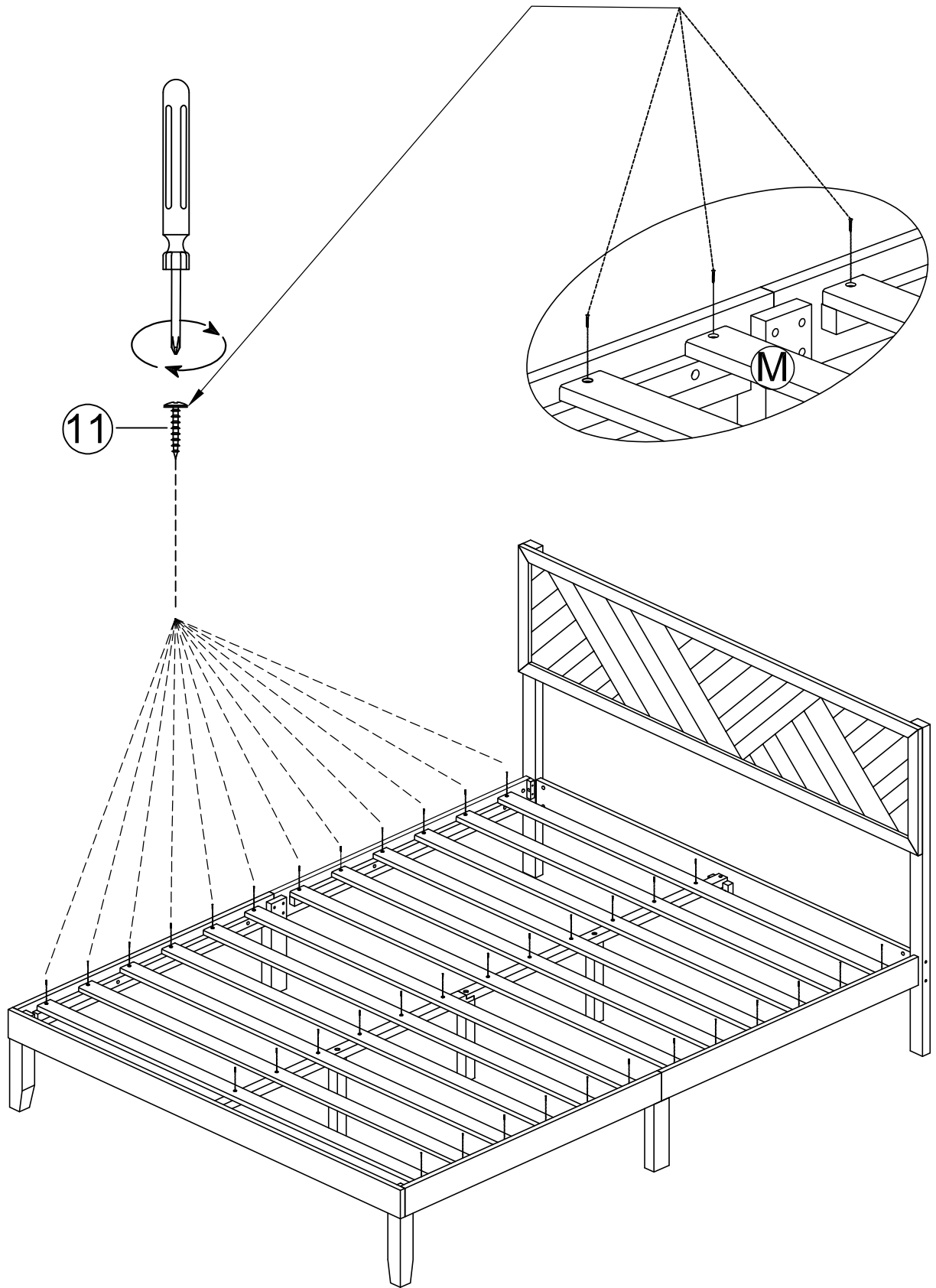
Step 10


X1



4		x4
5		x4
6		x4
8		x1

Step 11



11		x36
----	---	-----

COMPLETE

