

# ZEAFIVE<sup>®</sup>

## DIMENSION DETAILS BATHROOM VANITY

✉ Email: [service@bestgosupplychaininc.com](mailto:service@bestgosupplychaininc.com)

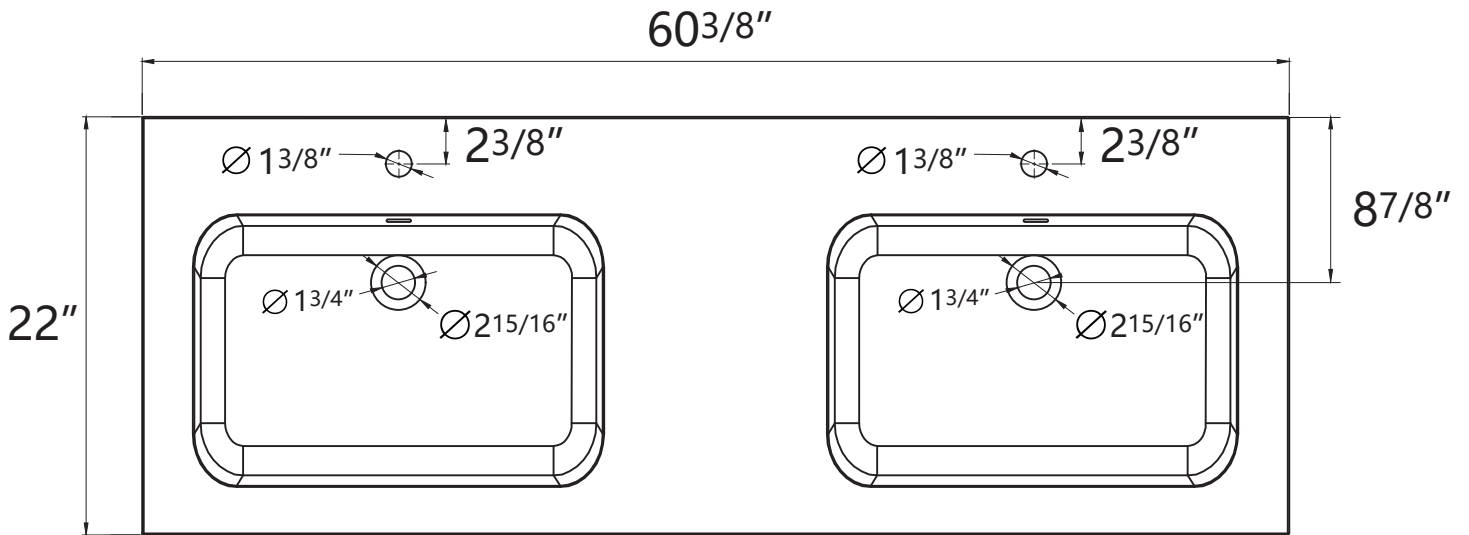
MODEL.  
FO-60W



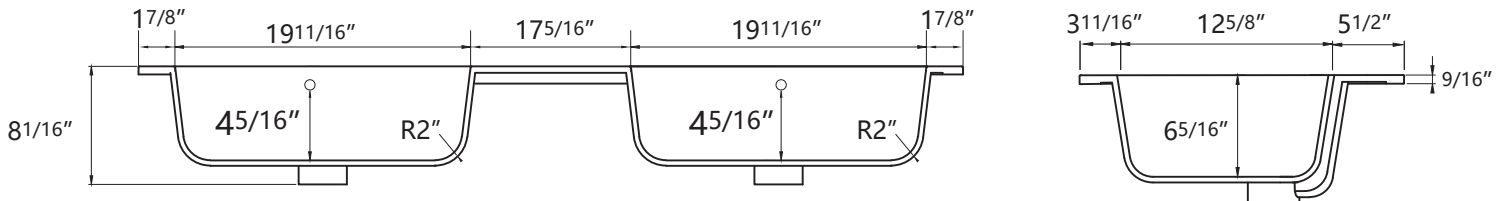
PRODUCT  
INSTRUCTION  
VIDEO



# COUNTERTOP SIZE



Top View



Front View

Side View