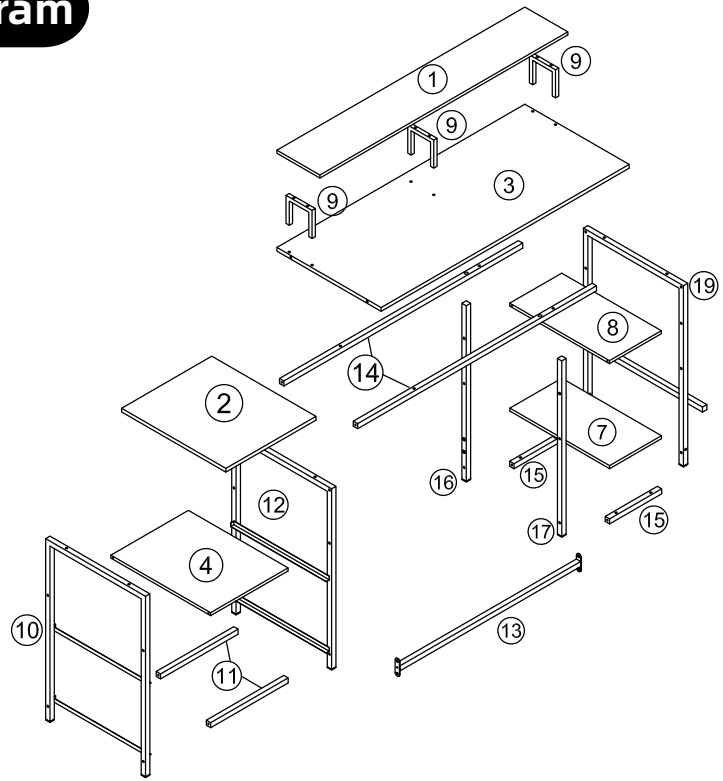
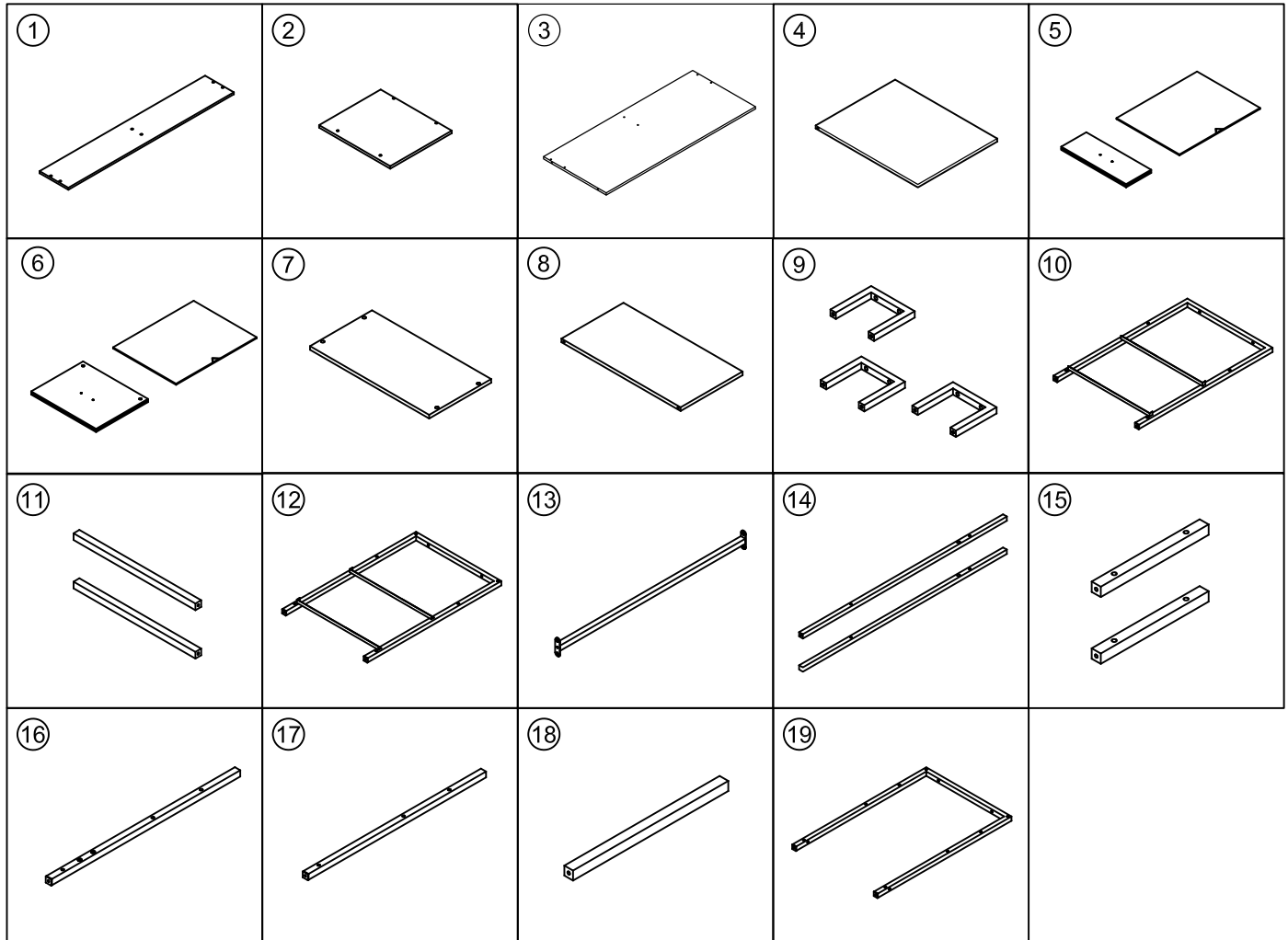


**L-Shaped Desk with File Drawer and
Monitor Stand User Manual**

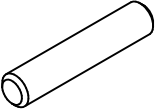


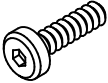
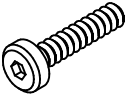
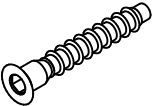
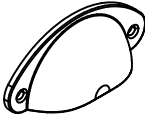
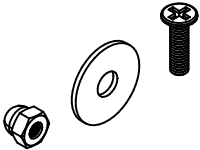

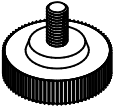
Disassembly Diagram



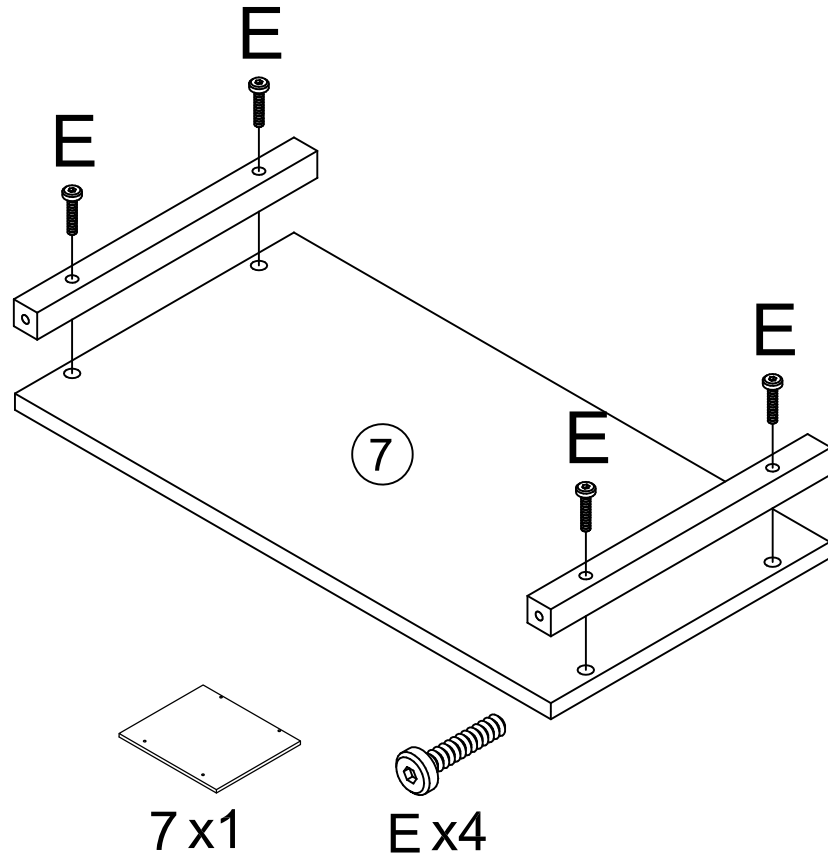
Accessories



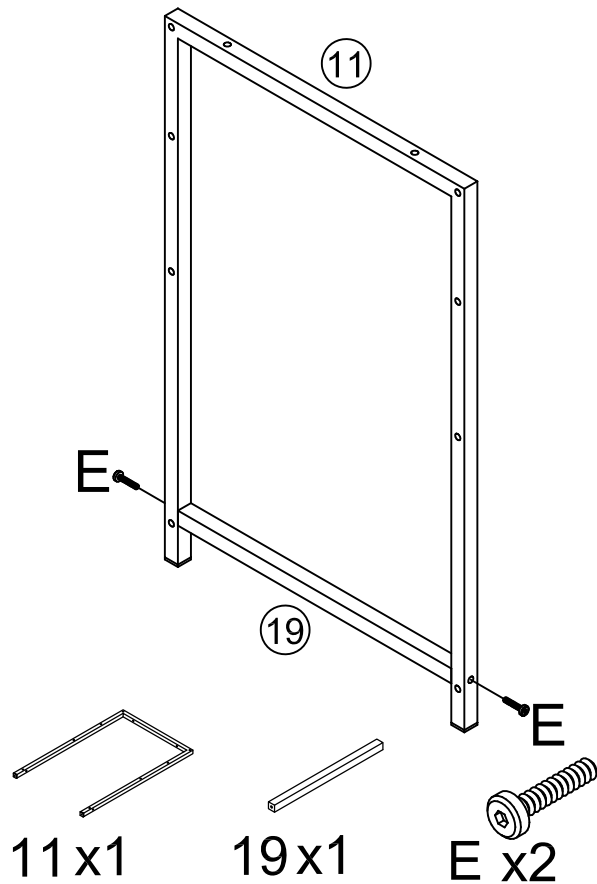
Accessories

<p>A</p>  <p>wooden pin</p> <p>x3</p>	<p>B</p>  <p>M5X10</p> <p>x5</p>	<p>C</p>  <p>M6X12</p> <p>x5</p>	<p>D</p> <p>White</p>  <p>M6X23</p> <p>x7</p>
<p>E</p>  <p>M6X28</p> <p>x39</p>	<p>F</p>  <p>M6.3X45</p> <p>x9</p>	<p>G</p>  <p>x2</p>	<p>H</p>  <p>x5</p>
<p>I</p>  <p>x2</p>	<p>J</p>  <p>x9</p>		

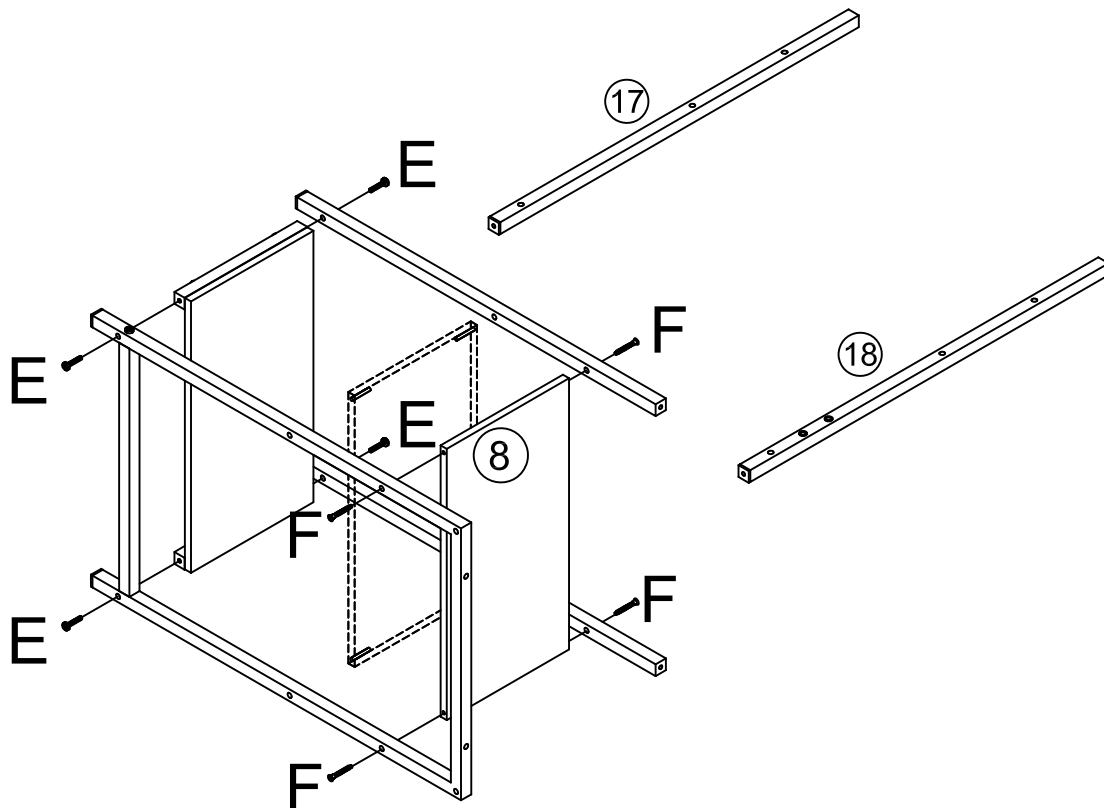
Step1: Assemble the bottom board of the shelf.



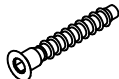
Step2: Assemble the side frame of the desk.



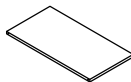
Step3:Build the desk shelf.



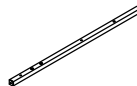
E X4



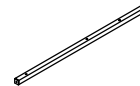
F X4



8 X1



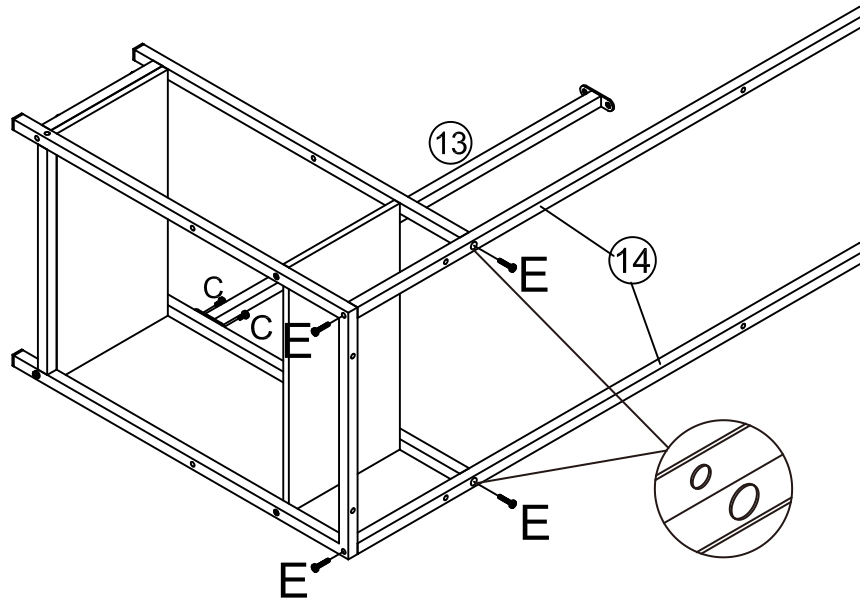
16 X1



17 X1

Step4: Assemble two metal tubes under the top board and the bottom tube 13.

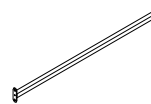
Note: The large hole must face up so that screw B can be screwed into tube 14.



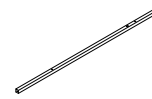
CX2



EX4

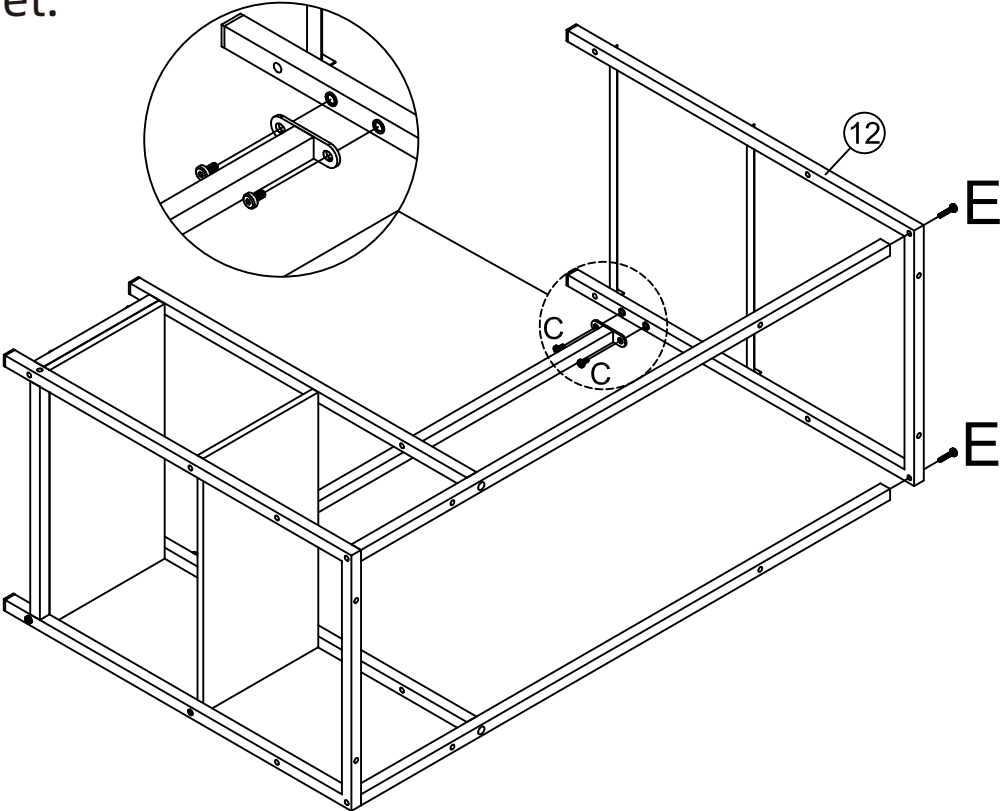


13X1



14X2

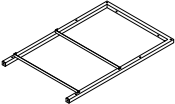
Step5: Fix the shelf with the side frame of the file cabinet.



CX2

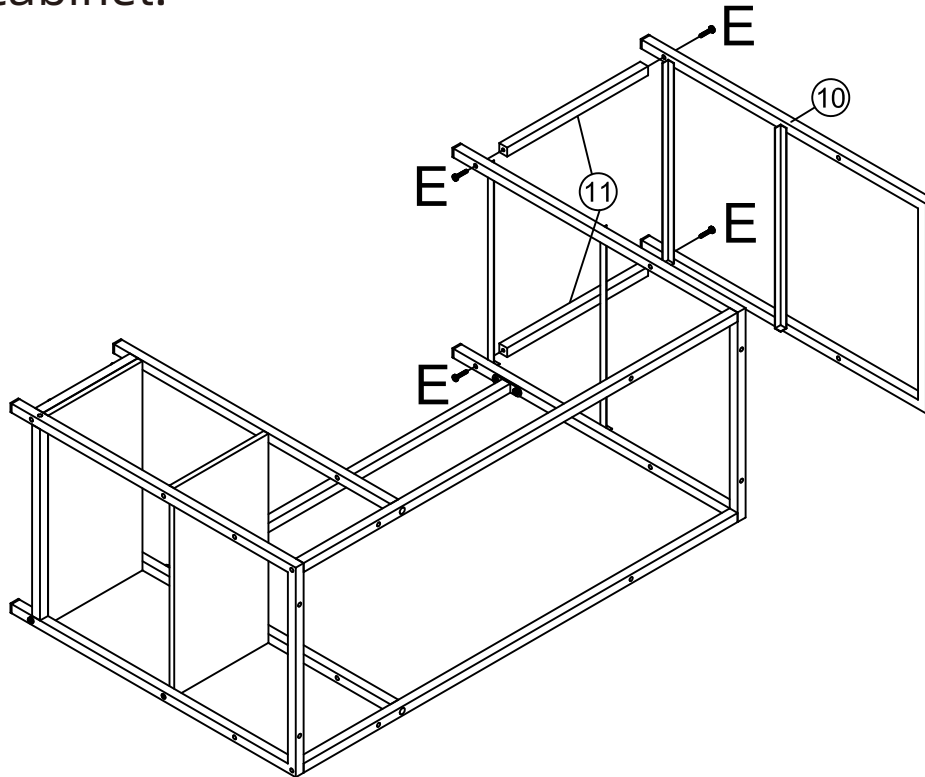


EX2

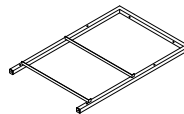


12 X1

Step6: Assemble the other side of the file cabinet.

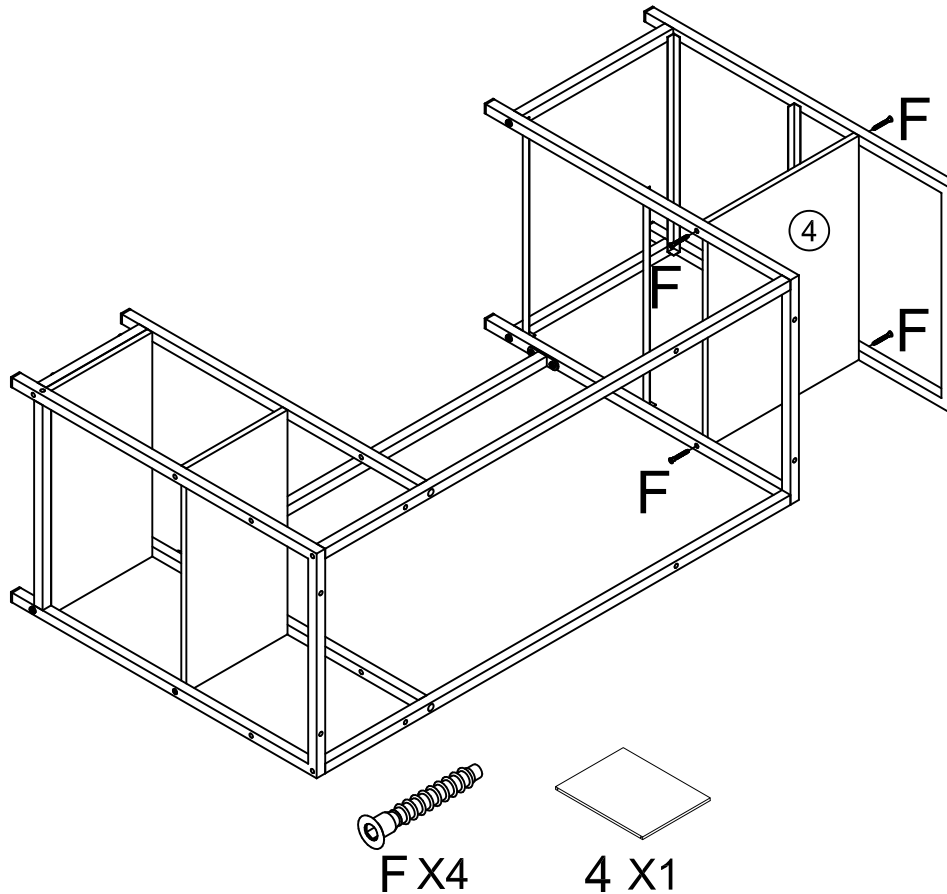


EX4

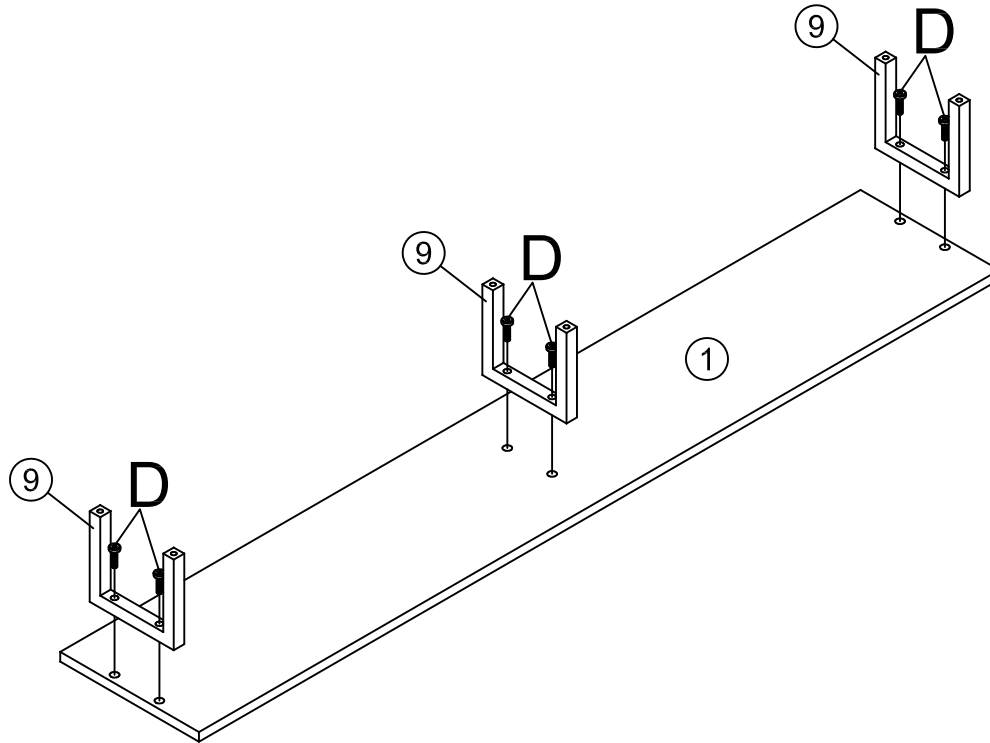


10 X1

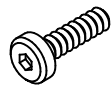
Step7: Assemble the middle board of the file cabinet .



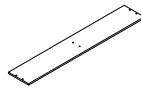
Step8: Assemble the monitor stand.



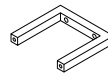
white



DX6

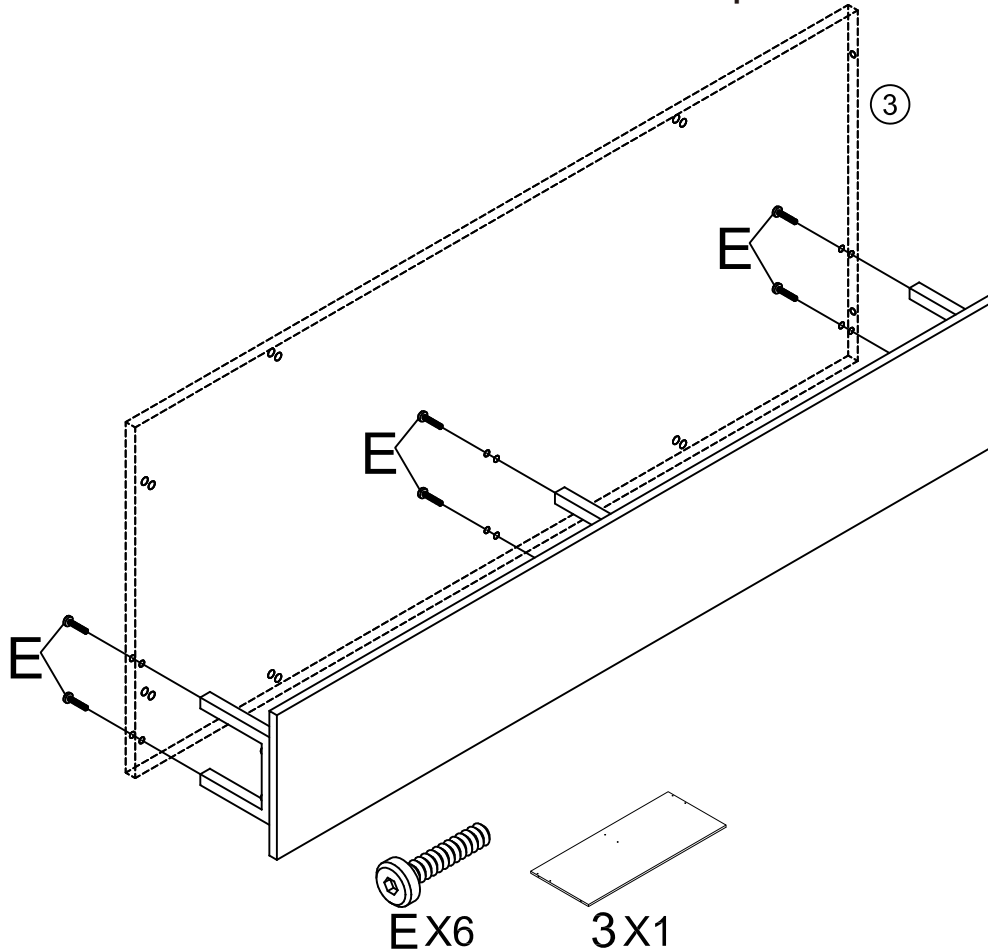


1 X1

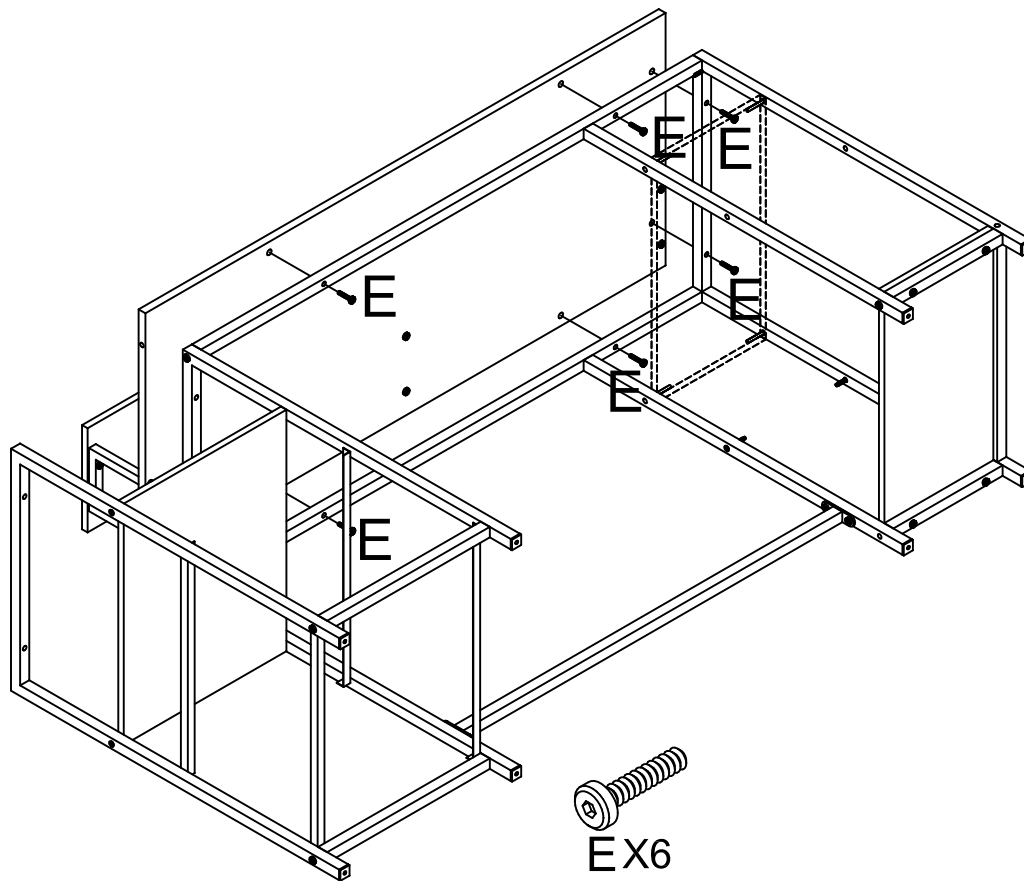


9 X3

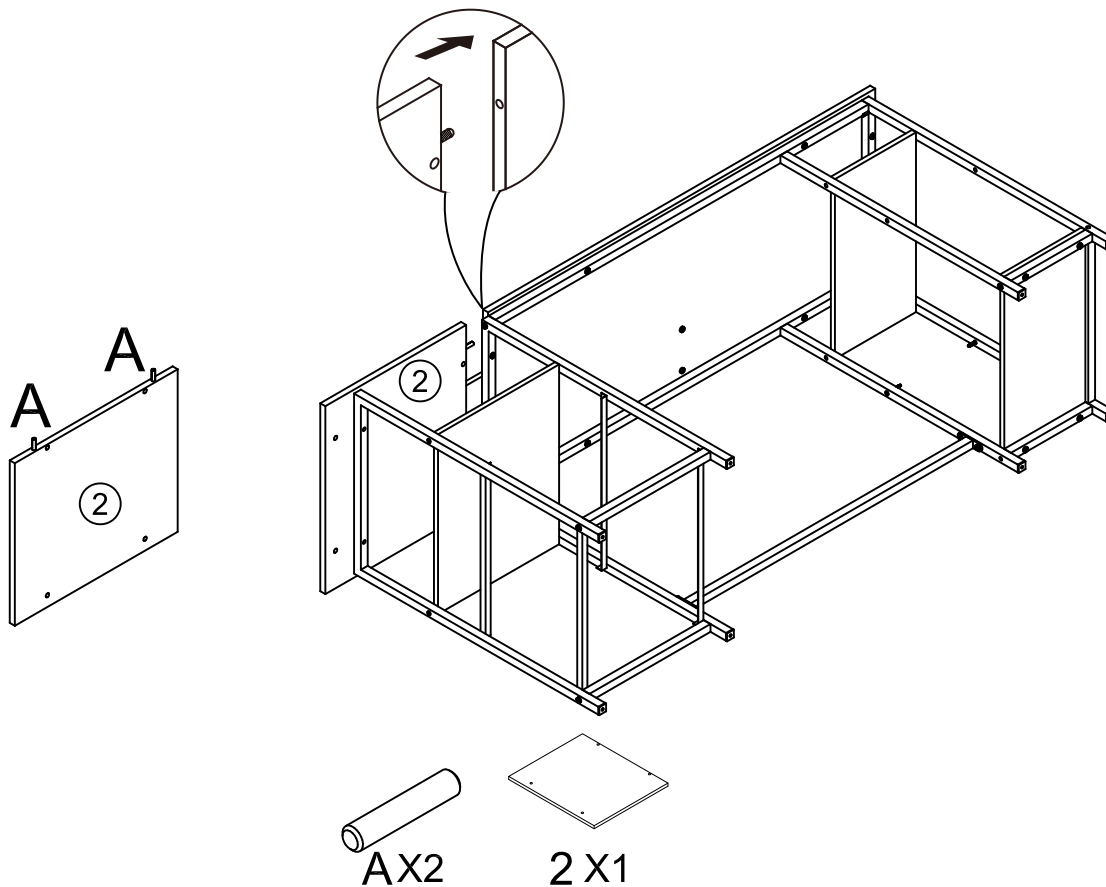
Step9: Fix the monitor stand on the top board.



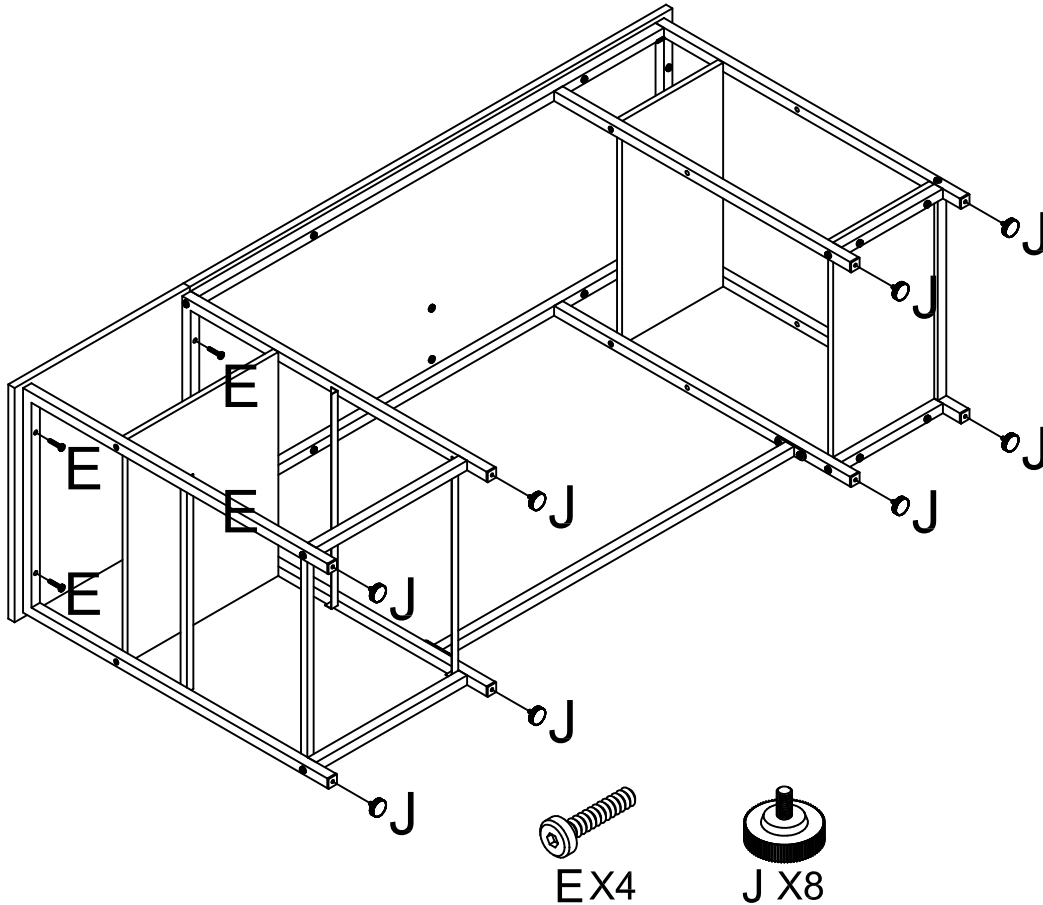
Step10: Fix the top board on the frame of the desk.



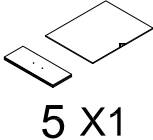
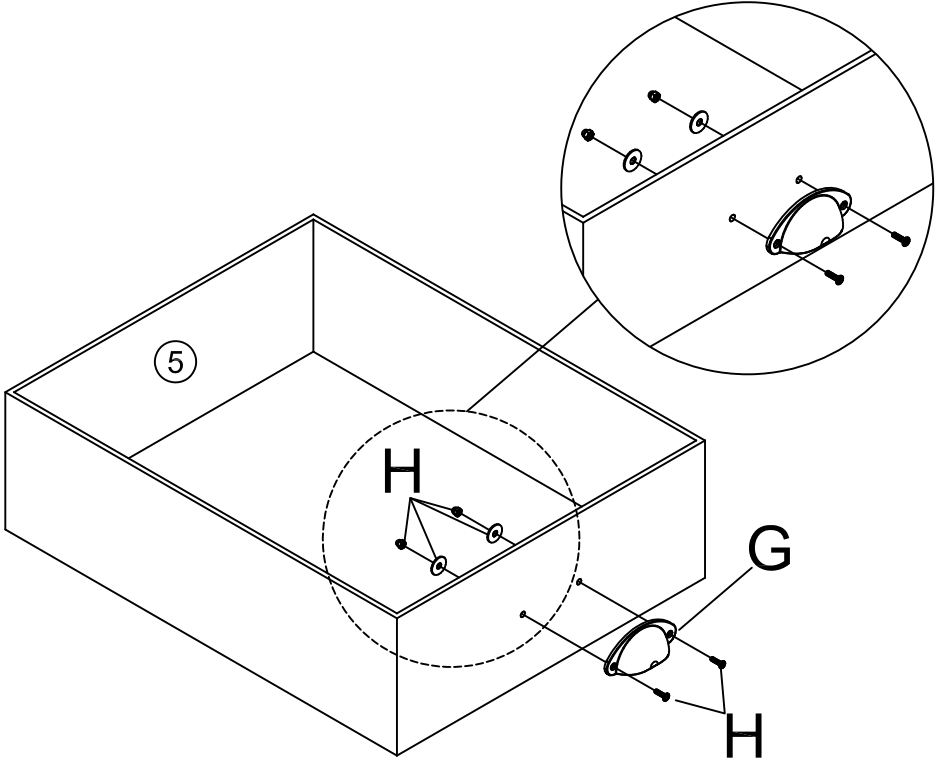
Step11: Connect 2 top borads.



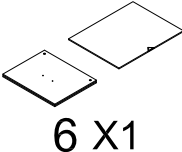
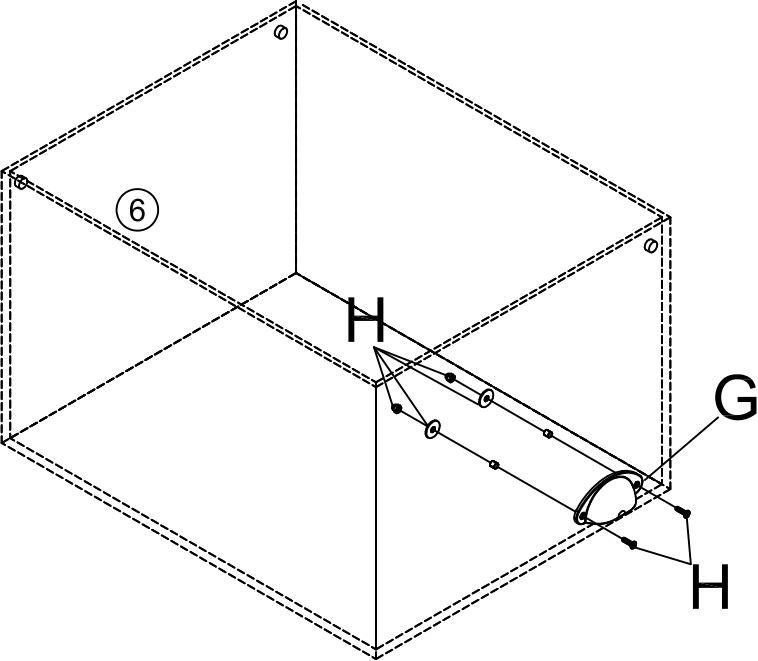
Step12: Fix the top small board.
Screw the adjustable feet .



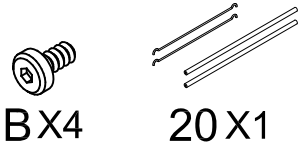
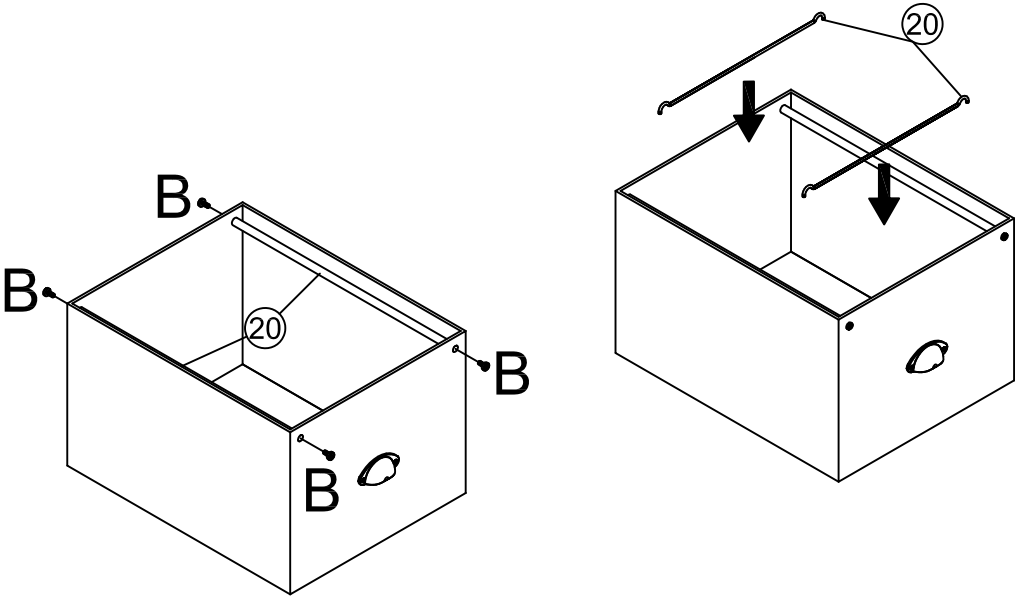
Step13: Assemble the drawer.



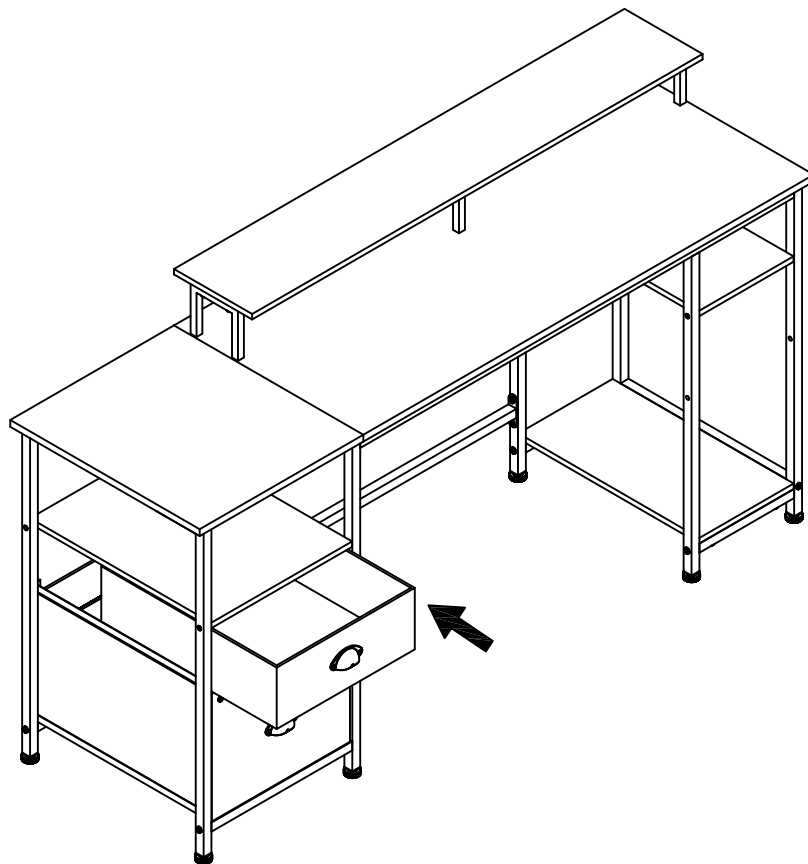
Step14: Assemble the file cabinet.



Step15: Snap in the remaining 2pcs 20 .



Step16: Put in the drawer and the file cabinet.



Customer Service

Problems You May Encounter

1-Year Warranty	PART	PROBLEM	SOLUTION
We guarantee your product is free from defects in product material and workmanship for one(1)year starting from the date of purchase during normal use of household conditions. If your appliance fails within the limited warranty period, we will arrange a new replacement free of charge, and cover all the shipping costs.	Whole Product	Parts are missing, defective or having wrong parts in package.	You can contact us and we will get back to you within 24 hours.
		Encountering non-human caused damage during usage.	If the product is damaged due to non-human causes, please keep the product and send us photos of it. We will ascertain the cause of the product damage within 48 hours and provide you with a satisfactory solution.
Quick Response within 24 Hours If you are still unable to resolve the issue you are experiencing, please contact us immediately at our support email: It doesn't matter if the product has been installed, our customer support team will respond within 24 hours and assist you quickly and efficiently. The most efficient way to confirm your problem with us is to attach a video or picture illustrating your product issue.	Table Surface	Board Surface is broken, scratched or lack of some screw holes.	You can contact us and we will get back to you within 24 hours.
		The screw holes that on the board and steel frame don't line up.	1. Please tighten the screws on the board by 70%, do not tighten completely. 2. Adjusting board and steel frame until the screw holes are lined up,then tighten all the screws.
	Steel Frame	The desk board is uneven or not tight that has gaps after being assembled.	You can contact us and we will get back to you within 24 hours.
		The steel frame is bent, broken, painted, rusted or damaged.	You can contact us , and we will get back to you within 24 hours.
		The table is unstable after being assembled.	1.Check if the screws are tightened. 2. Read through out the manual, check are there any parts insalled incorrectly or missing assembled. 3. If your problem still an't be solved,please feel free to contact us.