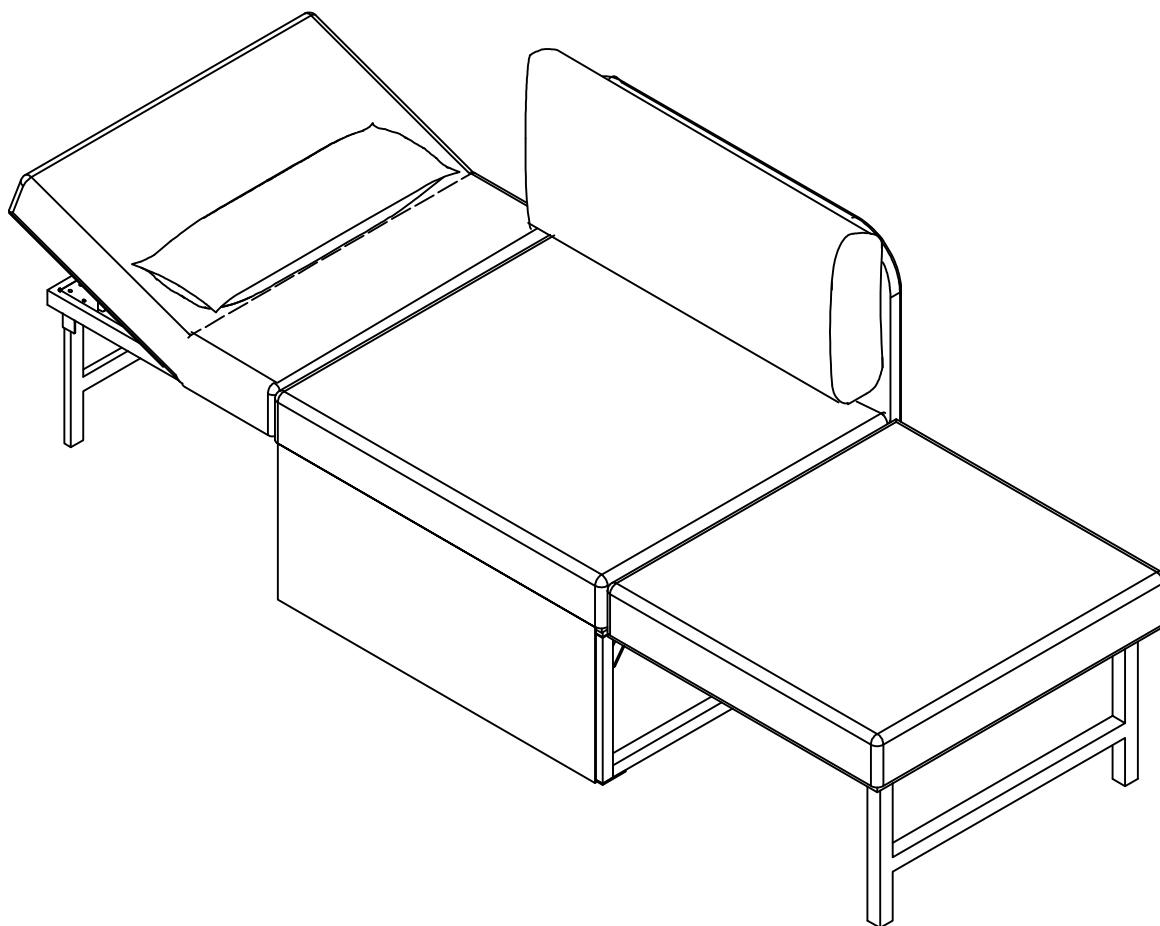


Sofa Chair

ASSEMBLY INSTRUCTION



If you have any questions, feel free to email us
at zzwservice@gmail.com

THANK YOU

Register and Get the Full Benefit

It's our way of saying thank you.

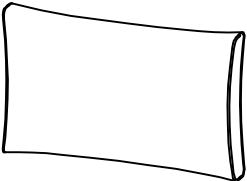
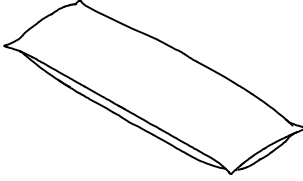
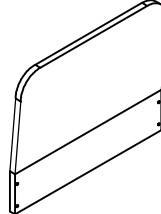
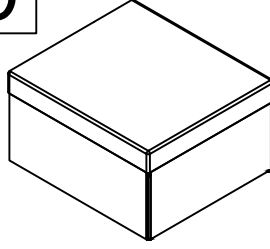
Register your product to enjoy a number of benefits:

- (1) 1-year warranty extension
- (2) 24/7 quicker service and product support
- (3) Chance to test new products for free
- (4) Get specific discount on shop items


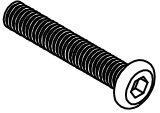

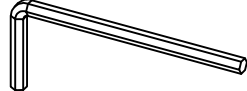
Register Way: Send " your name + order ID " to zzwservice@gmail.com

Assembly Instruction

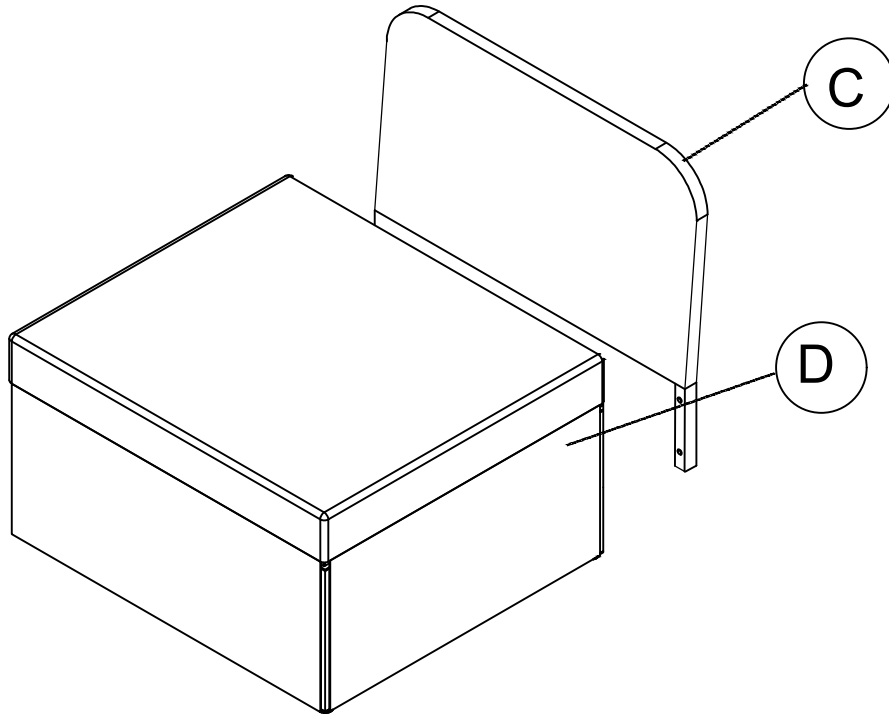
Parts List

A	B	C	D
			
Back cushion 1 PC	Lumbar pillow 1 PC	Bank panel 1 PC	Seat panel 1 PC

Hardwares List

#1	#2	#3	#4
			
Adjustable foot M6 4 PCS	Screw M6*35 (mm) 4 PCS	Washer M6 (mm) 4 PCS	Allen key 1 PC

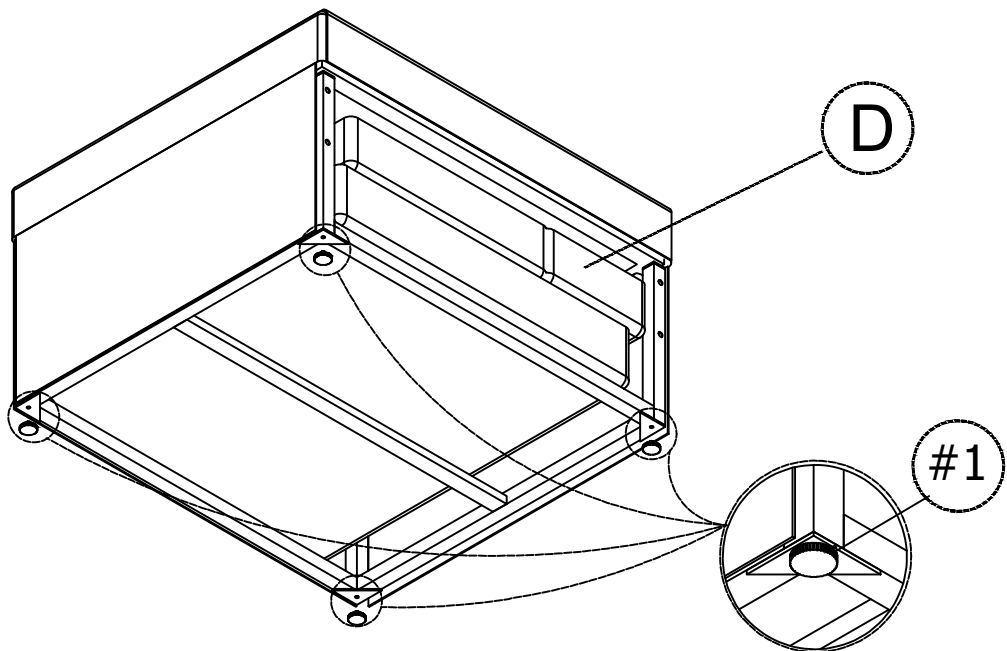
Assembly Instruction - Sofa Chair



STEP 1

#1 x4

D x1

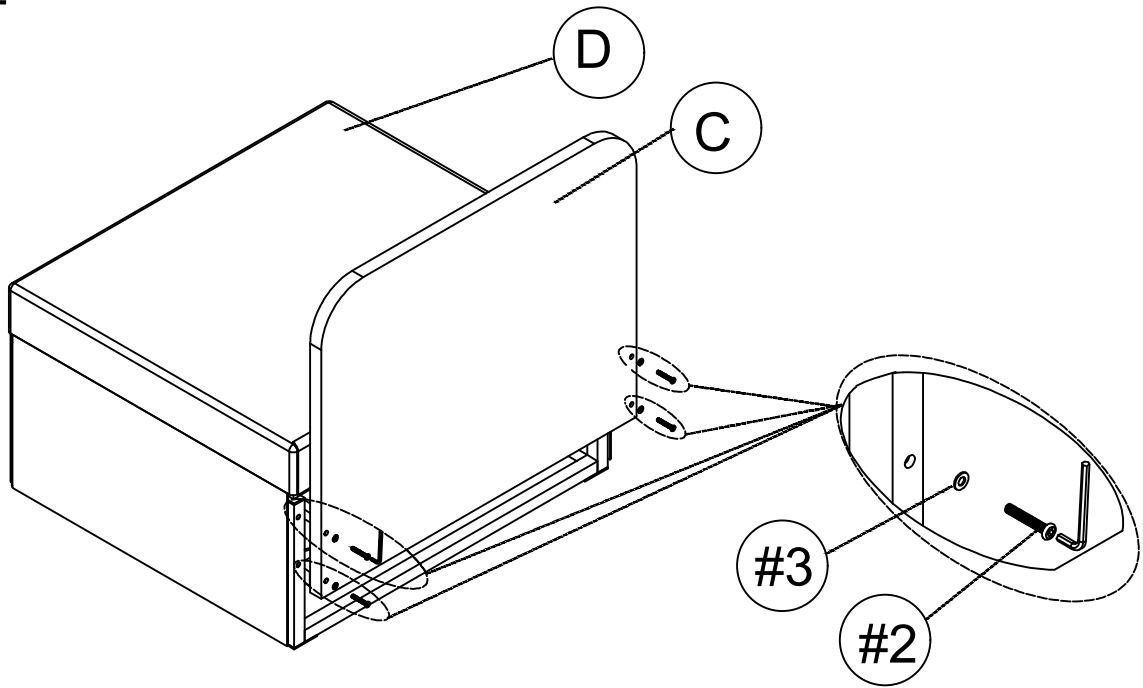


Assembly Instruction - Sofa Chair

STEP 2

#2 x4

#3 x4

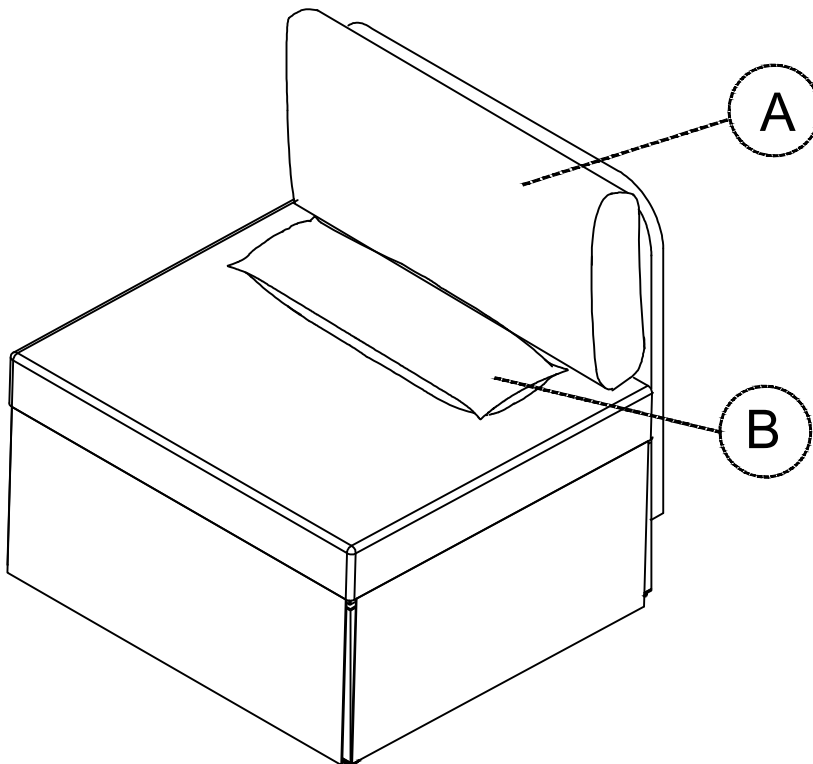


Assemble C with D using screw #2, washer #3;

STEP 3

A x1

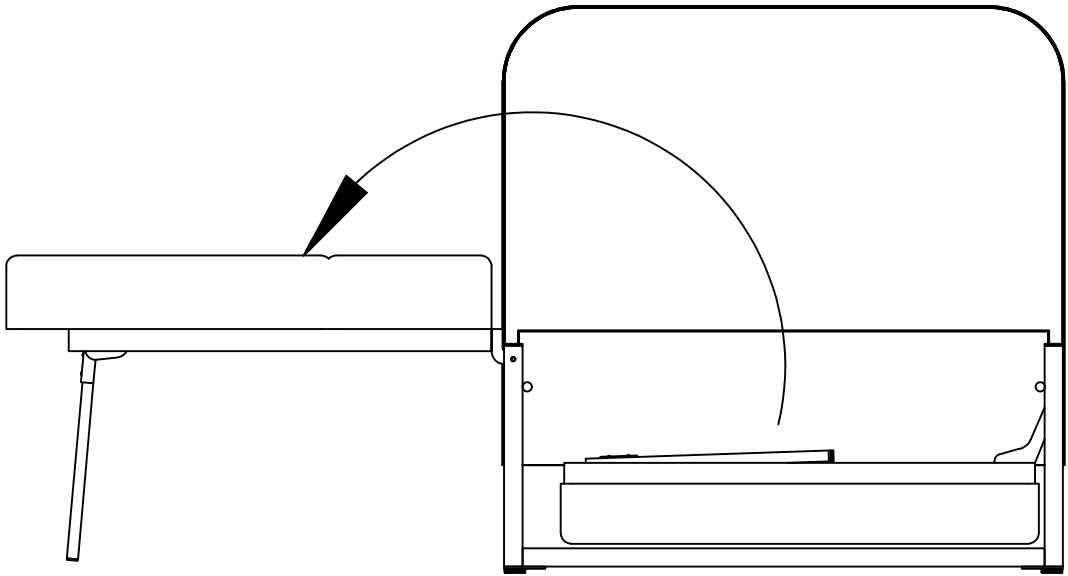
B x1



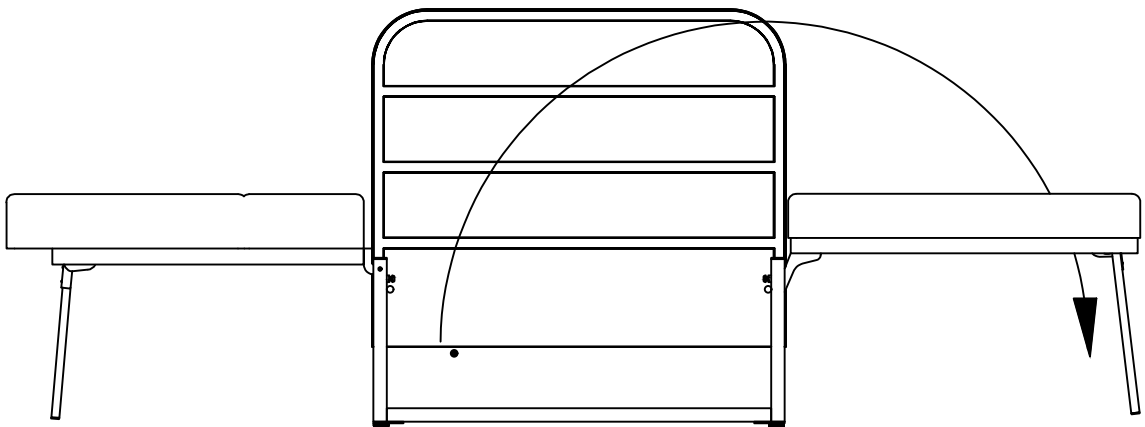
Place A and B on D ;

Assembly Instruction - Sofa Chair

STEP 4

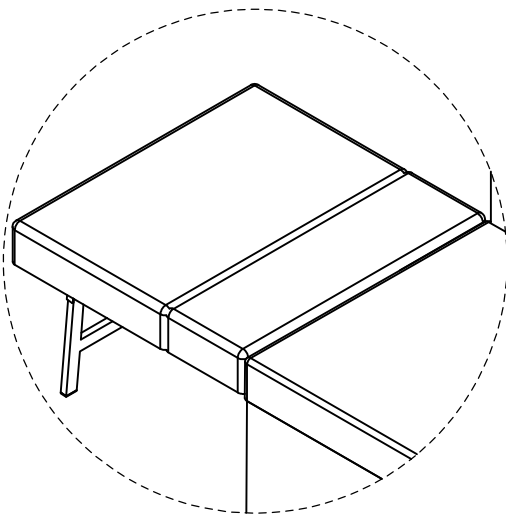
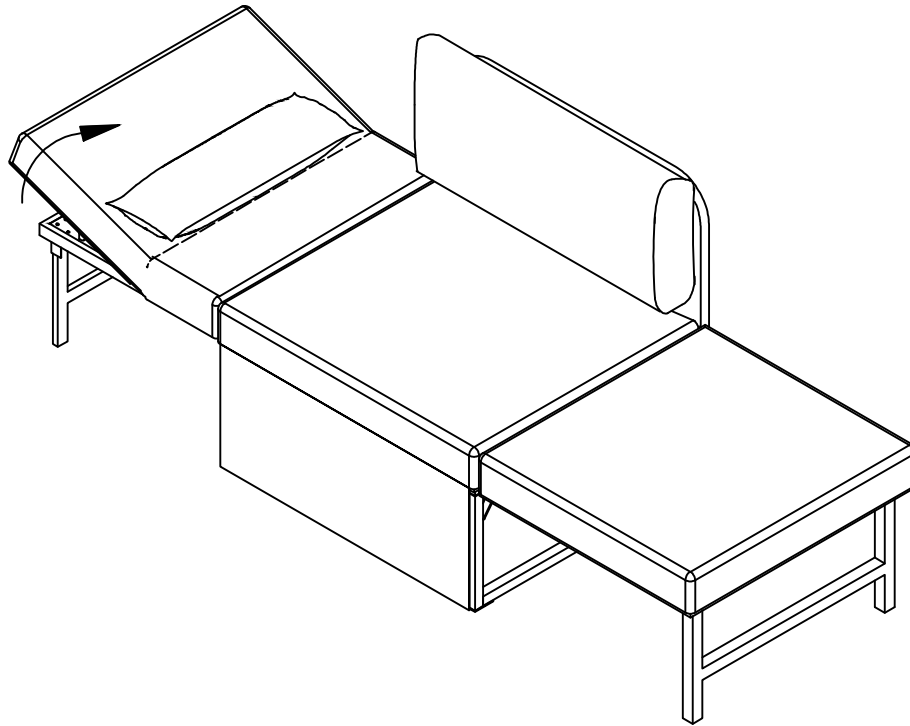


STEP 5

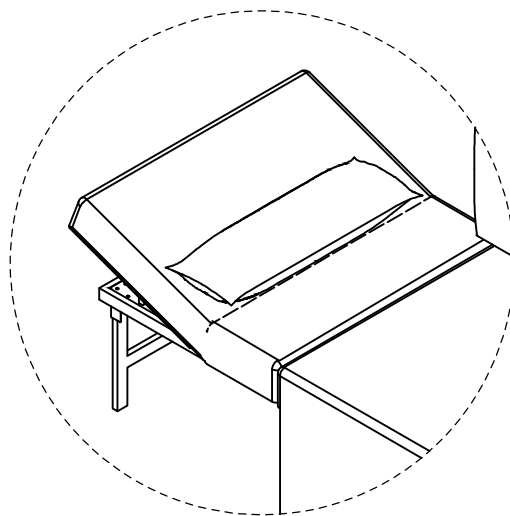
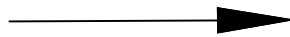


Assembly Instruction - Sofa Chair

STEP 6



A

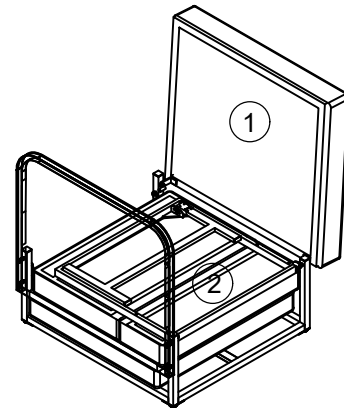
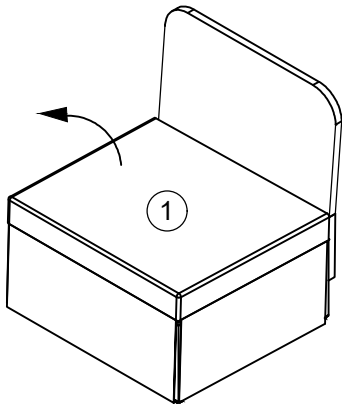


B

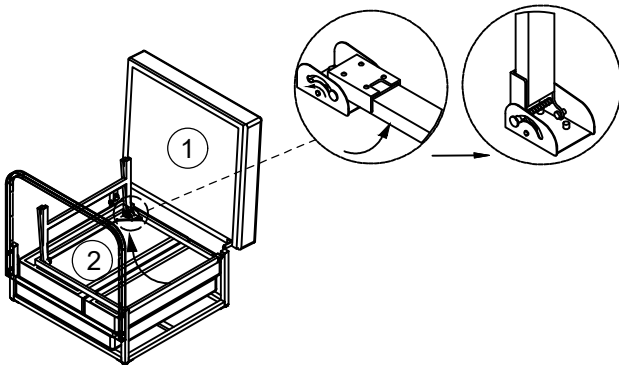
If you would like to adjust the backrest's angle, you could adjust from A position to B position to get the suitable angle. And there are 5 clicks between A to B.

please note: B to A is not able to set the angle, no any resistance in that way.

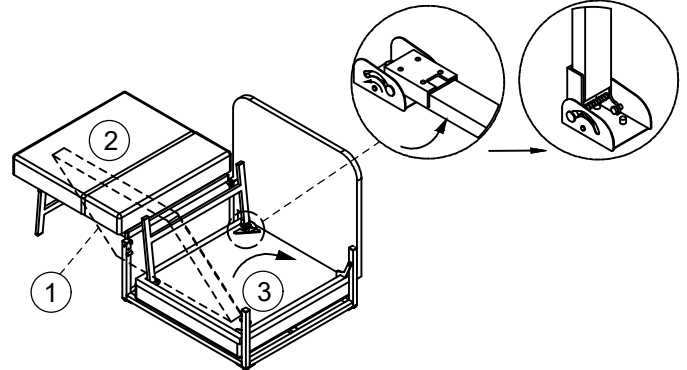
Usage Instruction - Chair to Sofa



Step1 : Lift up the seat plate ①

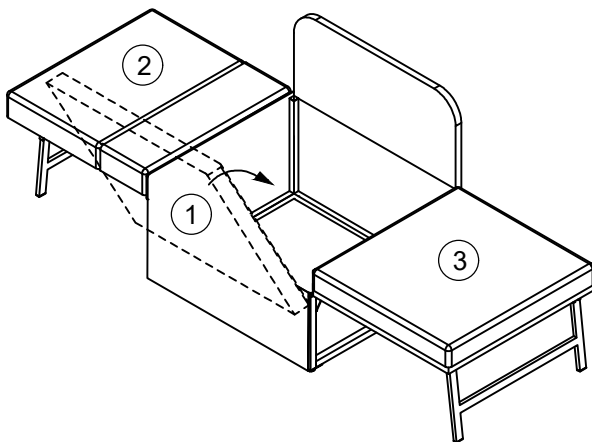


Step2 : Lift up the leg on the backrest ②

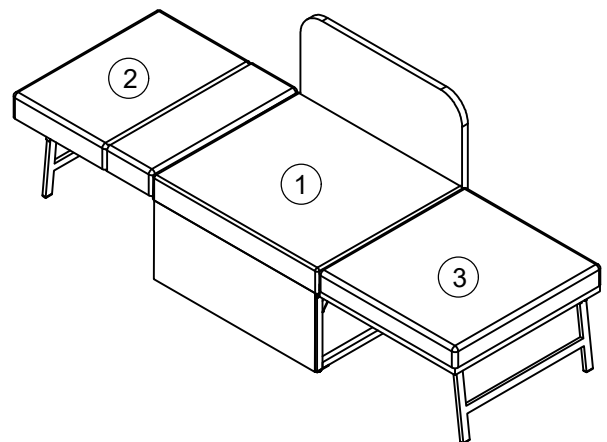


Step3 : Lift up the backrest ③

In the same way as step 2, first unfold the leg on the seat plate ③ and then lift up the seat plate ③

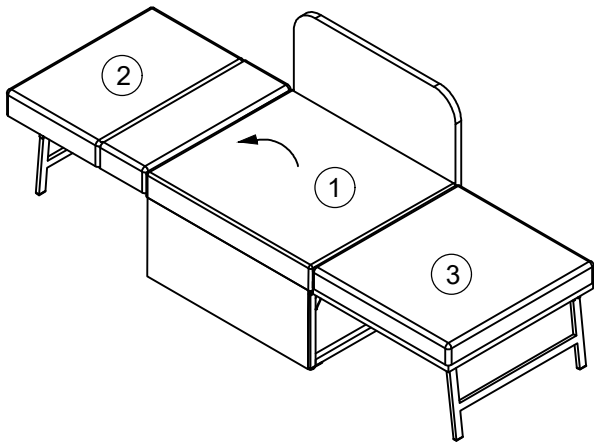


Step4 : Put down the seat plate ①

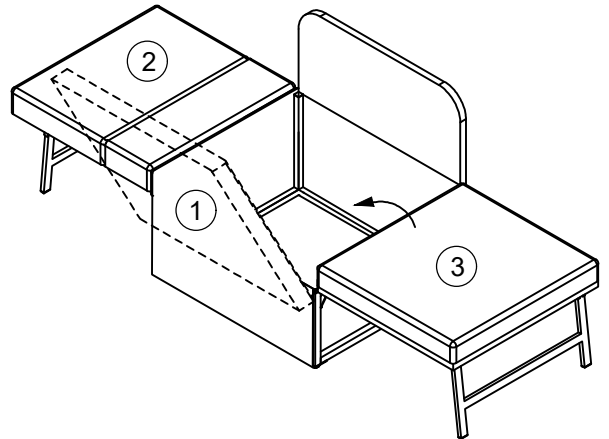


Sofa complete.

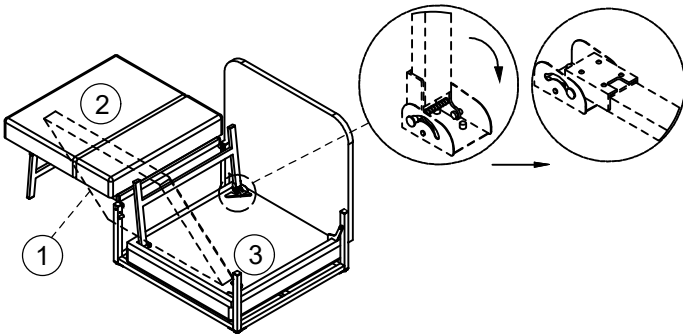
Usage Instruction - Sofa to Chair



Step1 : Lift up the seat plate ①

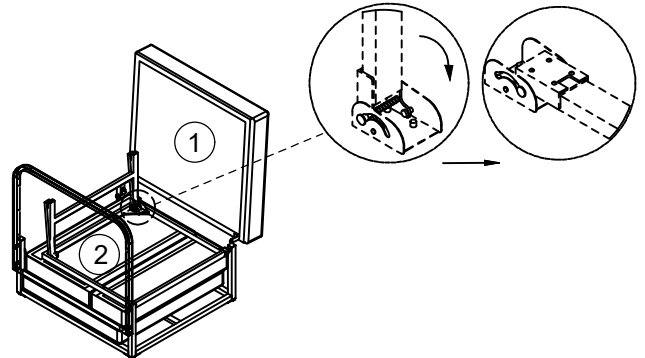


Step2 : Fold away the seat plate ③



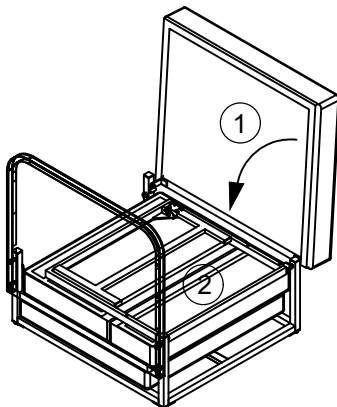
Step3 : Fold the ottoman leg, then adjust the backrest ② to a horizontal angle and fold away the backrest ②

Note: To fold the ottoman leg , need to keep press the safety catch.

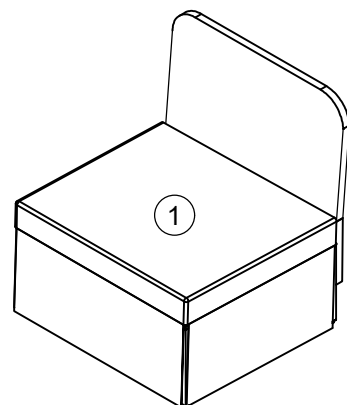


Step4 : Fold the ottoman leg

Note: To fold the ottoman leg , need to keep press the safety catch.



Step5: Put down the seat plate ①



Ottoman Chair complete