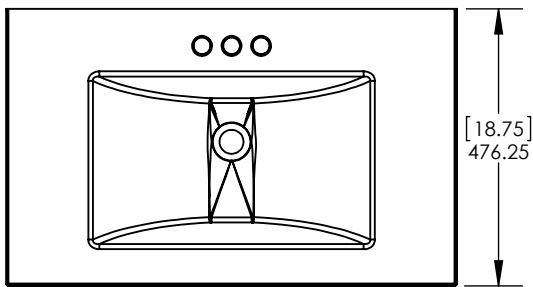
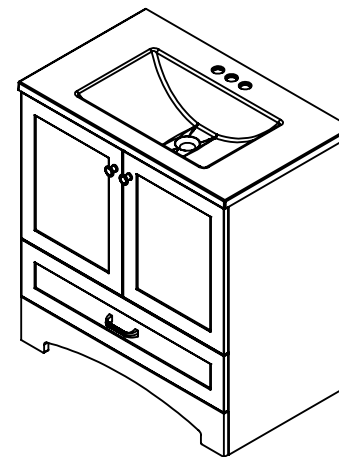


CABINET ID	DESCRIPTION
W050330P2	30in W0503 2Pc

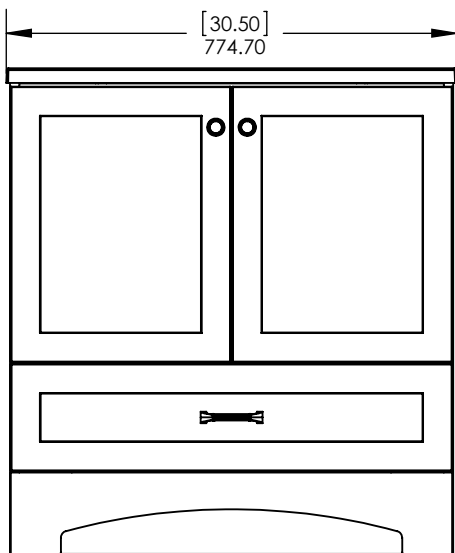
REV	ECO#	DESCRIPTION	REV'D BY DATE	CHK'D BY DATE	APRV'D BY DATE
0					



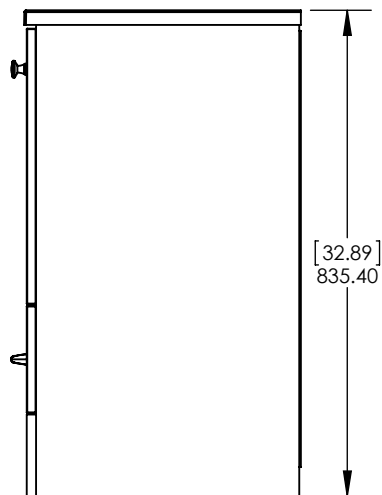
Top View / Vista Superior



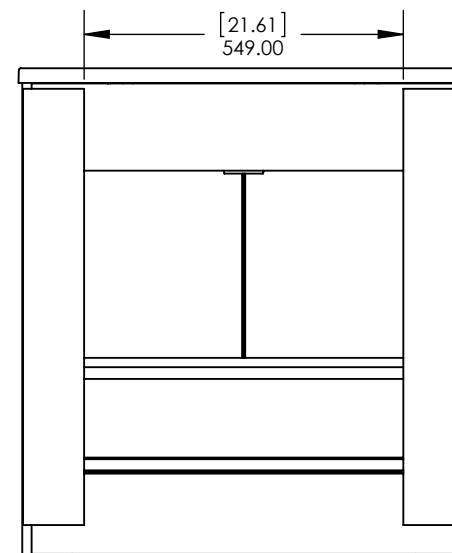
Isometric View / Vista Isometrica



Front view / Vista Frontal



Side View / Vista Lateral



Back View / Vista Trasera

PROPRIETARY AND CONFIDENTIAL
 THE INFORMATION CONTAINED IN THIS DRAWING IS THE SOLE PROPERTY OF WOODCRAFTERS HOME PRODUCTS L.L.C. ANY REPRODUCTION IN PART OR AS A WHOLE, WITHOUT THE WRITTEN PERMISSION OF WOODCRAFTERS HOME PRODUCTS L.L.C. IS PROHIBITED.

Tolerancia no especificada

Lineal
 $\pm 1.00\text{mm}$

Angular
 $\pm 0.5^\circ$

Drawn By /
 Dibujado por:
 Checked By /
 Revisado Por:
 Approved By /
 Revisado Por:

Cabinet Name/Nombre de Gabinete:

W050330P2

FG ID:

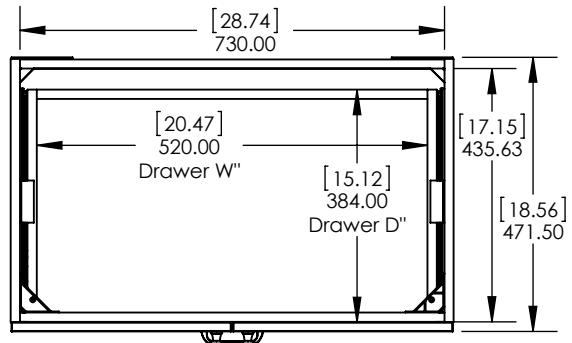
of Drawing/ de Dibujo:

PAGE 1 OF 2

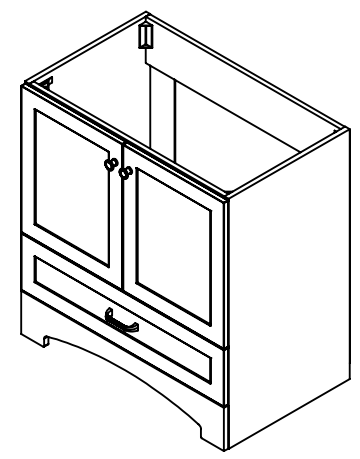
REV: **0**

CABINET ID	DESCRIPTION
W050330P2	30in W0503 2Pc

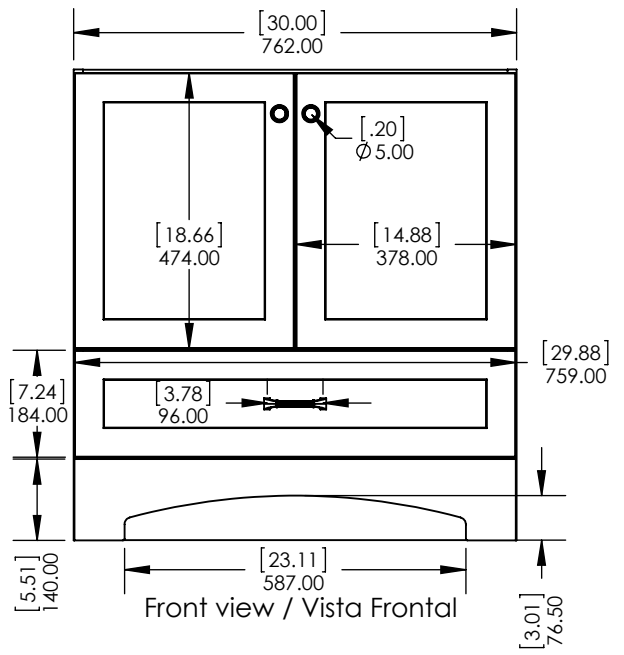
REV	ECO#	DESCRIPTION	REV'D BY DATE	CHK'D BY DATE	APRV'D BY DATE
0					



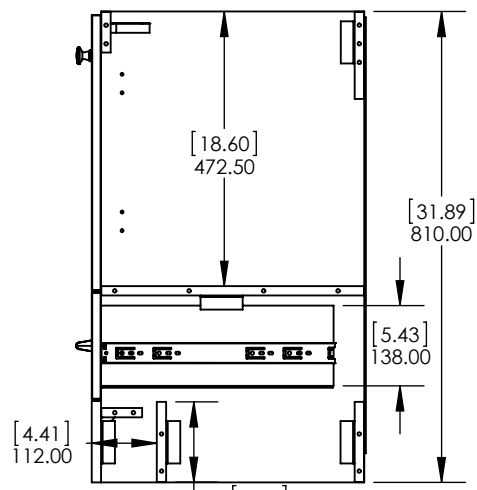
Top View / Vista Superior



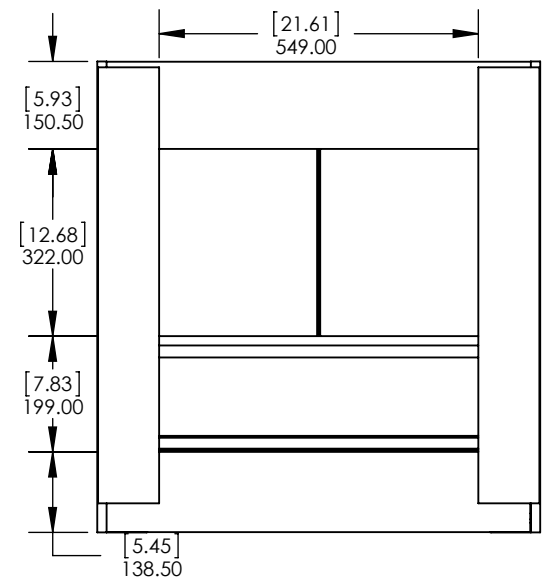
Isometric View / Vista Isometrica



Front view / Vista Frontal



Side View / Vista Lateral

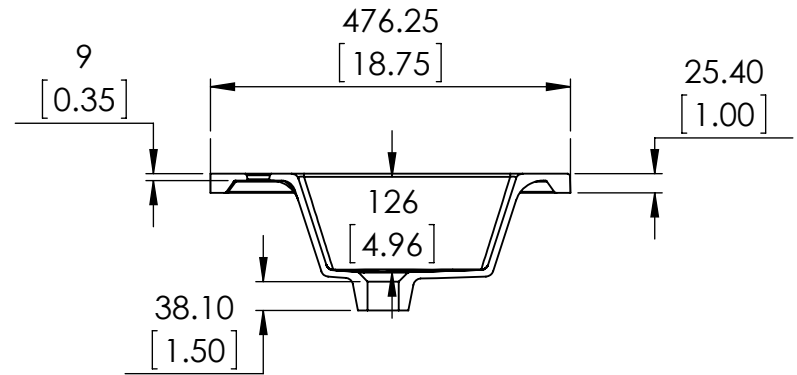
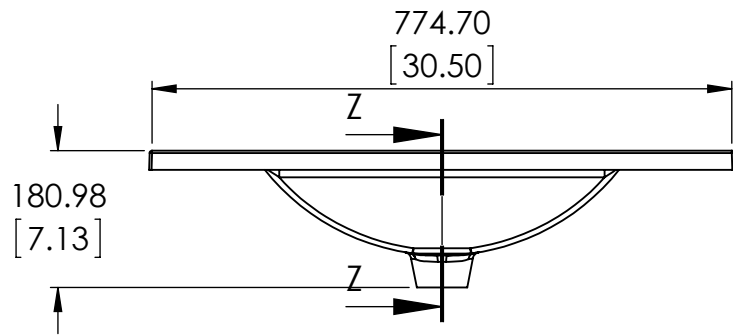
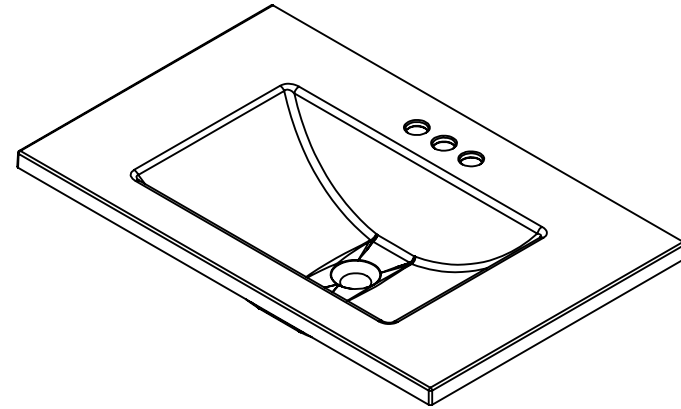
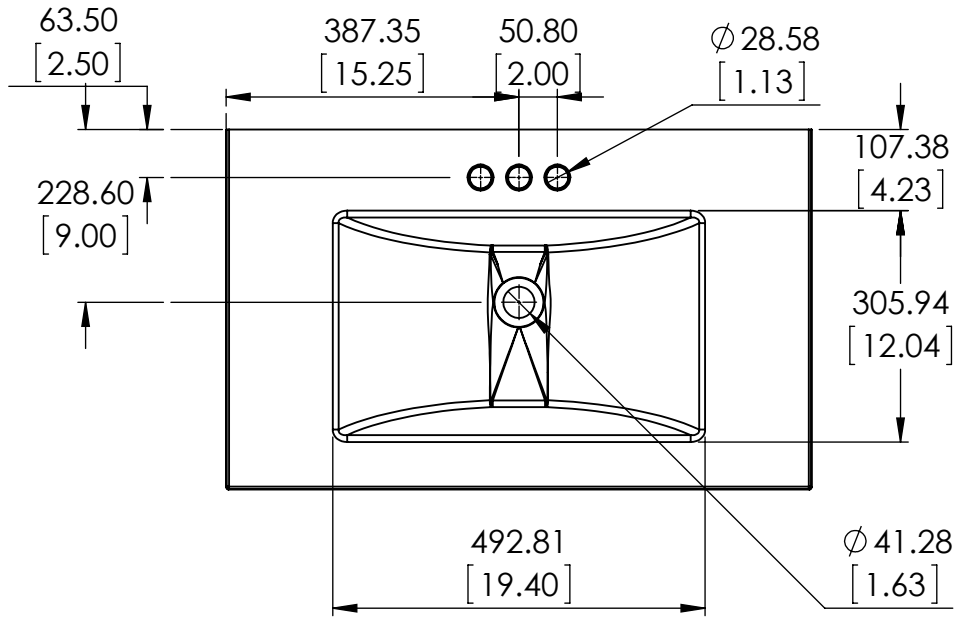


Back View / Vista Trasera

PROPRIETARY AND CONFIDENTIAL THE INFORMATION CONTAINED IN THIS DRAWING IS THE SOLE PROPERTY OF WOODCRAFTERS HOME PRODUCTS L.L.C. ANY REPRODUCTION IN PART OR AS A WHOLE, WITHOUT THE WRITTEN PERMISSION OF WOODCRAFTERS HOME PRODUCTS L.L.C. IS PROHIBITED.	Tolerancia no especificada	Drawn By / Dibujado por:		Cabinet Name/Nombre de Gabinete:	FG ID:	
	Lineal ±1.00mm	Angular ±0.5°	Checked By / Revisado Por:		W050330P2	
			Approved By / Revisado Por:		# of Drawing/ de Dibujo:	PAGE 2 OF 2 REV: 0

ITEM TYPE	ITEM ID	ITEM DESCRIPTION	DRAWING STATUS
REFERENCE		Top, Alpine 30.50x18.75 4in	R&D

REV	DESCRIPTION	DATE	APPROVAL
0	RELEASED	05/09/23	E. SANDOVAL



PROPRIETARY AND CONFIDENTIAL
 THE INFORMATION CONTAINED IN THIS DRAWING IS THE SOLE PROPERTY OF WOODCRAFTERS. ANY REPRODUCTION IN PART OR AS A WHOLE WITHOUT THE WRITTEN PERMISSION OF WOODCRAFTERS IS PROHIBITED.

UNLESS OTHERWISE SPECIFIED
 DIMENSIONS ARE IN MM. AND [INCHES]
 TOLERANCES ARE
 + 3.175 [0.125] - 3.175 [0.125]
 SCALE: 1:10

	NAME	DATE
DRAWN	G. REYES	4/11/23
CHECKED	O. RAZO	4/11/23
ENG APPR.	J. GUZMAN	4/11/23
MFG APPR.	V. SANCHEZ	4/11/23

MASTERBRAND
 SIZE DWG. NO. **A** SHEET 1 OF 1
 FG