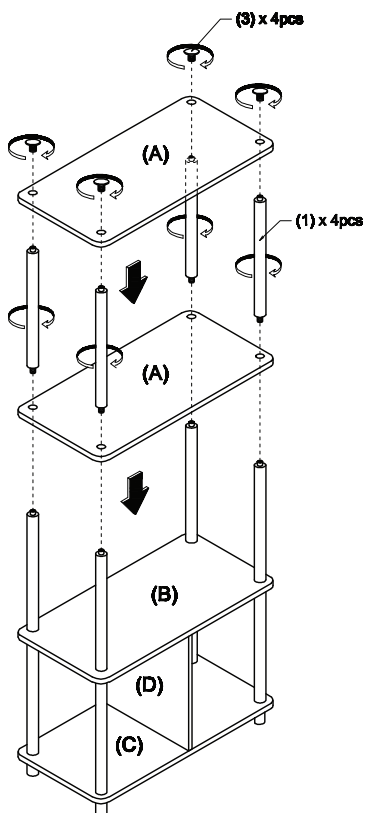


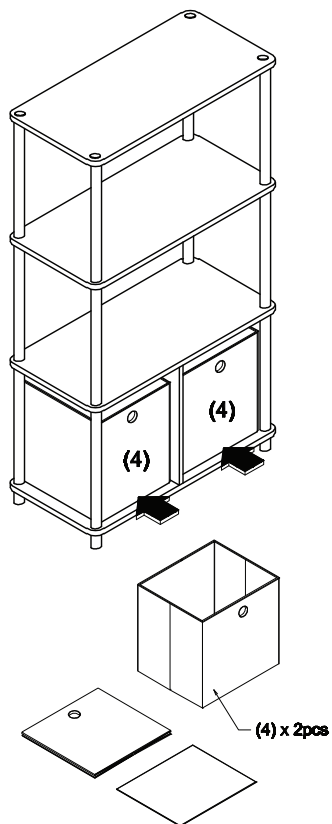
STEP 4

Attach Panel (A) and tighten with Pole (1) and Top Cap (3), as shown.



STEP 5

Unfold Bin (4) and put into the storage.



Assembly Instruction

Go Green 4-Tier Multipurpose Storage Rack Shelving Unit w/Bins

00:20

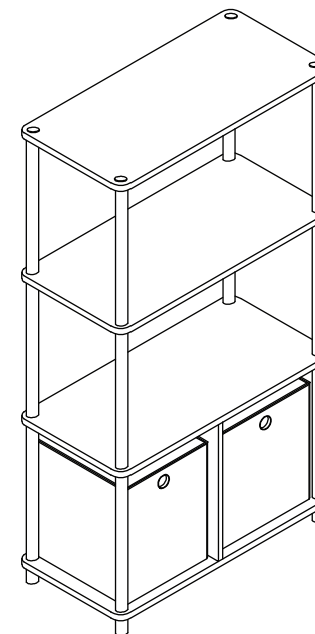
Approx. 20 minutes



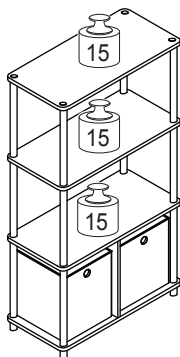
Recomm. 1 Person



No Tools Required



Recommended Maximum Weight



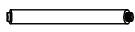




*Unit in Pound(lbs)

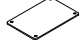


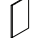
WARNING:

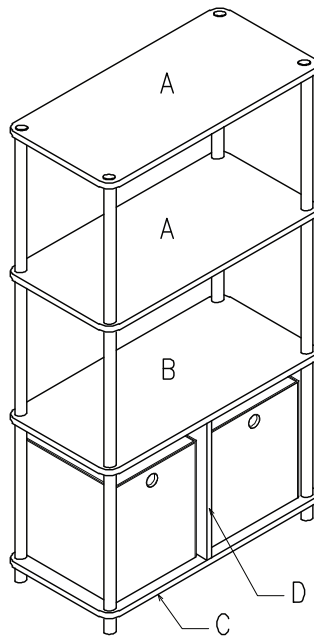
>This unit has been designed to support the maximum loads shown. Exceeding these load limits could cause sagging, instability, product collapse, and/or serious injury.

>DO NOT allow children to climb on unit.

>Put heavier items on lower shelves.

No	Hardware List	Qty
1	Plastic Pole 	12pcs
2	Round Leg 	4pcs
3	Top Cap 	4pcs
4	Non-Wooven Bin 	2pcs
5	Dowel 	4pcs

No	Parts List	Qty
A	1st/2nd Shelf Panel 	2pcs
B	3rd Shelf Panel 	1pcs
C	Bottom Panel 	1pcs
D	Center Panel 	1pcs

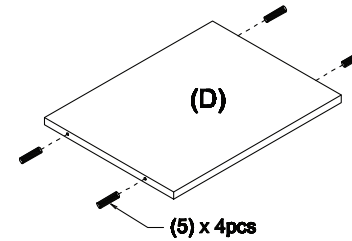


USEFUL HINTS BEFORE YOU START:

1. Read each step carefully before starting.
2. It is important that each step is performed in correct order to avoid difficulties.
3. Identify, sort and count the parts before assembly.
4. Assemble your furniture on packaging cardboard to prevent scratch or damage.
5. Clean the product with mild cleanser using soft damped cloth. Do not use harsh or abrasive cleanser.
6. Using incompatible hardware might cause damage to product.

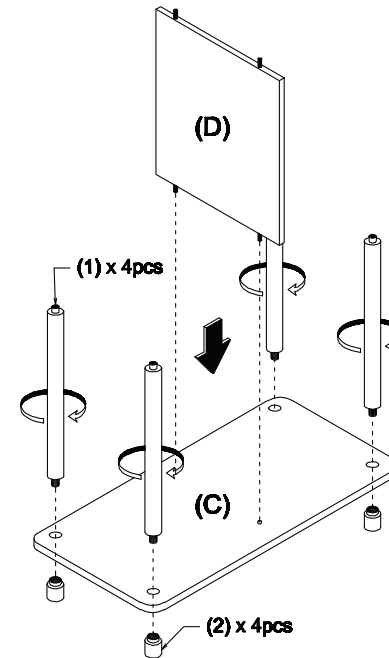
STEP 1

Insert Dowel (5) to Panel (D).



STEP 2

Attach Panel (D) to Panel (C).
Tighten Pole (1) and Round Leg (2).



STEP 3

Attach Panel (B) to Panel (D) and tighten another 4pcs Pole (1) on it.

